



December 2016

SERVICE MANUAL ADDENDUM

IC-7200

**NOTE: Use these amended pages as one addendum set.
Do not mix them up with the previous master pages.**

CONTENTS

AMENDED PAGES:

MECHANICAL PARTS 6-1 and 6-2

AMENDED PAGES:

| | |
|-----------------------|----|
| PARTS LIST | 1 |
| BOARD LAYOUT | 18 |
| BLOCK DIAGRAM | 20 |
| VOLTAGE DIAGRAM | 21 |

SECTION 6

MECHANICAL PARTS

[CHASSIS PARTS] (C)

| REF NO. | PART NO. | DESCRIPTION | QTY. |
|---------|------------|--|------|
| J1 | 6510028411 | MR-DS-01-2 | 1 |
| MF1 | 2710000811 | FD124010HB-1N7-1 (120) | 1 |
| MF2 | 2710000811 | FD124010HB-1N7-1 (120) | 1 |
| W1 | 8900014720 | OPC-909A (P1N10L110) | 1 |
| W5 | 8900017870 | OPC-1887 (P0.5N50L140) | 1 |
| W6 | 8900017870 | OPC-1887 (P0.5N50L140) | 1 |
| W7 | 8900017870 | OPC-1887 (P0.5N50L140) | 1 |
| W8 | 8900017870 | OPC-1887 (P0.5N50L140) | 1 |
| W9 | 8900017870 | OPC-1887 (P0.5N50L140) | 1 |
| W10 | 8970024292 | 1.5D COAXIAL 150MM-2 C31/C31 | 1 |
| W12 | 8970024292 | 1.5D COAXIAL 150MM-2 C31/C31 | 1 |
| W14 | 8970024292 | 1.5D COAXIAL 150MM-2 C31/C31 | 1 |
| W16 | 8970024292 | 1.5D COAXIAL 150MM-2 C31/C31 | 1 |
| MP1 | 8010021071 | 3015 CHASSIS-1 | 1 |
| MP2 | 8110009510 | 3015 L-COVER | 1 |
| MP3 | 8110009500 | 3015 U-COVER | 1 |
| MP4 | 8930075130 | 3015 L-PACKING (TOT) | 1 |
| MP5 | 8930075140 | 3015 U-PACKING (TOT) | 1 |
| MP6 | 8930075590 | 3015 ANT PLATE Y1090 | 1 |
| MP7 | 8510018690 | 3015 MAIN COVER | 1 |
| MP8 | 8510018700 | 3015 PA COVER | 1 |
| MP9 | 8930042690 | RUBBER LEG (L) /FF-024-AR41 | 2 |
| MP10 | 8930075100 | 3015 STAND HOLDER | 2 |
| MP11 | 8930074520 | 3015 STAND | 1 |
| MP12 | 8810008661 | PH BT M3×8 NI-ZC3 | 5 |
| MP13 | 8810008661 | PH BT M3×8 NI-ZC3 | 5 |
| MP14 | 8810008661 | PH BT M3×8 NI-ZC3 | 5 |
| MP15 | 8810008661 | PH BT M3×8 NI-ZC3 | 8 |
| MP16 | 8810008661 | PH BT M3×8 NI-ZC3 | 2 |
| MP17 | 8810010491 | PH M3×15 ZK3 | 7 |
| MP18 | 8810010491 | PH M3×15 ZK3 | 7 |
| MP19 | 8810004431 | PH M3×6 ZK3 | 4 |
| MP20 | 8810004431 | PH M3×6 ZK3 | 4 |
| MP21 | 8810003171 | SET SCREW A M3×8 ZC3 | 6 |
| MP24 | 8810009991 | PH BT M3×8 NI-ZK3 | 2 |
| MP25 | 8930076070 | 3015 BUSH (TOT) | 1 |
| MP26 | 8930076080 | 3015 A-NET | 1 |
| MP27 | 8930076090 | 3015 FAN HOLDER | 1 |
| MP28 | 8810008661 | PH BT M3×8 NI-ZC3 | 4 |
| MP29 | 8810004301 | PH M3×10 ZK3 | 4 |
| MP30 | 8810009371 | PH BT M3×12 NI-ZK3 | 1 |
| MP31 | 8820000530 | FLANGE BOLT M4×8 NI | 1 |
| MP32 | 8850000140 | FLAT WASHER M4 NI BS | 2 |
| MP33 | 8850000430 | S-WASHER M4 NI | 1 |
| MP34 | 8930075810 | SPONGE (KB) | 1 |
| MP35 | 8930075810 | SPONGE (KB) | 1 |
| MP36 | 8930040700 | SPONGE (FQ) | 1 |
| MP37 | 8930049770 | SPONGE (GF) 25×15×1 | 1 |
| MP38 | 8930049770 | SPONGE (GF) 25×15×1 | 1 |
| MP39 | 8930071840 | HIMELON SHEET (CT) | 1 |
| MP40 | 8930079060 | 3073 DC PLATE | 1 |
| MP42 | 8930077680 | 3015 PA EARTH SPRING | 1 |
| | 8930077680 | 3015 PA EARTH SPRING | 1 |
| | 8930077680 | 3015 PA EARTH SPRING | 1 |
| | 8930077680 | 3015 PA EARTH SPRING | 1 |
| | 8930077680 | 3015 PA EARTH SPRING | 1 |
| MP43 | 8930048971 | SHIELD TAPE (C)-1 | 2 |
| | 8930048971 | SHIELD TAPE (C)-1 | 2 |
| | 8930048971 | SHIELD TAPE (C)-1 | 2 |
| | 8930048971 | SHIELD TAPE (C)-1 | 2 |
| | 8930048971 | SHIELD TAPE (C)-1 | 2 |
| MP121 | 8930068260 | THERMAL SHEET (AV) TC500HS-1.4 (20X35) | 1 |
| MP1091 | 8930049600 | 2240 IC CLIP | 1 |
| MP3242 | 8930078200 | 3015 IC CLIP | 1 |

[FILTER UNIT] (FIL)

| REF NO. | PART NO. | DESCRIPTION | QTY. |
|---------|------------|-------------------------------------|------|
| J9 | 6510028210 | SJ050010 (TMP-J01X-V6) | 1 |
| J10 | 6510028210 | SJ050010 (TMP-J01X-V6) | 1 |
| J11* | 6510019971 | 52808-1071 | 1 |
| MP121 | 8930039612 | THERMAL SHEET (C)-2 TC100HS (10X10) | 1 |
| MP122 | 8930039612 | THERMAL SHEET (C)-2 TC100HS (10X10) | 1 |

[MAIN UNIT] (M)

| REF NO. | PART NO. | DESCRIPTION | QTY. |
|---------|------------|---------------------------------|------|
| J1* | 6510024151 | 50FY-BMT-TB (LF) (SN) | 1 |
| J2* | 6510024151 | 50FY-BMT-TB (LF) (SN) | 1 |
| J4* | 6510024151 | 50FY-BMT-TB (LF) (SN) | 1 |
| J5* | 6510024151 | 50FY-BMT-TB (LF) (SN) | 1 |
| J6* | 6510024151 | 50FY-BMT-TB (LF) (SN) | 1 |
| J7 | 6510028210 | SJ050010 (TMP-J01X-V6) | 1 |
| J8 | 6450002470 | JY-3510A*01-130 | 1 |
| J9 | 6450002470 | JY-3510A*01-130 | 1 |
| J11* | 6510019971 | 52808-1071 | 1 |
| J1531* | 6510025840 | AXN316C038P | 1 |
| J3201 | 6510026540 | UBB-4R-D14T-4D (LF) (SN) | 1 |
| J3203* | 6510014961 | B2B-ZR-SM4-TF (LF) (SN) | 1 |
| MP1 | 8930077690 | 3015 MAIN EARTH SPRING | 1 |
| | 8930077690 | 3015 MAIN EARTH SPRING | 1 |
| | 8930077690 | 3015 MAIN EARTH SPRING | 1 |
| | 8930077690 | 3015 MAIN EARTH SPRING | 1 |
| | 8930077690 | 3015 MAIN EARTH SPRING | 1 |
| | 8930077690 | 3015 MAIN EARTH SPRING | 1 |
| MP504 | 8510021830 | 3765 S-CASE | 1 |
| MP541 | 8510021830 | 3765 S-CASE | 1 |
| MP551 | 8930076610 | 3015 LS SPRING | 1 |
| MP552 | 8510021830 | 3765 S-CASE | 1 |
| MP581 | 8930057870 | 2429 EARTH SPRING | 1 |
| MP582 | 8930056211 | SHIELD SPONGE (G)-1 | 1 |
| MP1521 | 8930070510 | THERMAL SHEET (BF) TC-600HS-1.4 | 1 |
| MP2501 | 8510015770 | 2590 DSP CASE | 1 |
| MP2541 | 8930070510 | THERMAL SHEET (BF) TC-600HS-1.4 | 1 |
| MP2561 | 8510021830 | 3765 S-CASE | 1 |
| MP2566 | 8510021830 | 3765 S-CASE | 1 |
| MP2801 | 8510015880 | 2590 S2LO CASE | 1 |
| MP3201 | 8930068000 | SHIELD SPONGE (AT) | 1 |
| | 8930068000 | SHIELD SPONGE (AT) | 1 |
| | 8930068000 | SHIELD SPONGE (AT) | 1 |
| | 8930068000 | SHIELD SPONGE (AT) | 1 |
| | 8930068000 | SHIELD SPONGE (AT) | 1 |
| | 8930068000 | SHIELD SPONGE (AT) | 1 |
| MP3202 | 8930080920 | FERRITE SHEET (AD) | 1 |

[RF UNIT] (RF)

| REF NO. | PART NO. | DESCRIPTION | QTY. |
|---------|------------|------------------------|------|
| J5* | 6510024151 | 50FY-BMT-TB (LF) (SN) | 1 |
| J6* | 6510024151 | 50FY-BMT-TB (LF) (SN) | 1 |
| J7 | 6510028210 | SJ050010 (TMP-J01X-V6) | 1 |
| J8 | 6510028210 | SJ050010 (TMP-J01X-V6) | 1 |
| J10 | 6510028210 | SJ050010 (TMP-J01X-V6) | 1 |
| J501 | 6450001641 | TCS5044-0141177 | 1 |
| J502 | 6450001130 | JPJ2042-01-110 | 1 |
| J503 | 6510023900 | LGR4619-7000 | 1 |
| MP1 | 8930075430 | 3015 ANT SPRING Y1091 | 1 |
| MP2 | 8930065741 | 2590 D-EARTH SPRING-1 | 1 |

[LOGIC UNIT] (L)

| REF NO. | PART NO. | DESCRIPTION | QTY. |
|---------|------------|-------------------------|------|
| J1* | 6510018971 | B4B-PH-SM4-TB (LF) (SN) | 1 |
| J3* | 6510019971 | 52808-1071 | 1 |
| J4* | 6510019971 | 52808-1071 | 1 |
| J5* | 6510019971 | 52808-1071 | 1 |
| J101* | 6510024151 | 50FY-BMT-TB (LF) (SN) | 1 |
| J102* | 6510024151 | 50FY-BMT-TB (LF) (SN) | 1 |
| J301* | 6510019971 | 52808-1071 | 1 |
| DS1 | 5030003090 | S11325 | 1 |
| EP2 | 8930076650 | SRCN-3015-SP-N-W (SHJ) | 2 |
| MP1 | 8210024710 | 3015 REFLECTOR | 1 |
| MP2 | 8930074390 | 3015 LCD HOLDER | 1 |
| MP3 | 8930075470 | 3015 LCD FILTER | 1 |

*: Refer to "BOARD LAYOUTS" for the location.

**: Refer to "GENERAL WIRING" for the connection

Screw abbreviations A, B0, BT: Self-tapping PH: Pan head ZK: Black NI-ZU: Nickel-Zinc SUS: Stainless

[PA UNIT] (PA)

| REF NO. | PART NO. | DESCRIPTION | QTY. |
|---------|------------|--|---------|
| WS1 | 8600036641 | SX2242 J12*13PA-1 50MM | 1 |
| J4* | 6510024151 | 50FY-BMT-TB (LF) (SN) | 1 |
| J8 | 6510028210 | SJ050010 (TMP-J01X-V6) | 1 |
| J9 | 6510028210 | SJ050010 (TMP-J01X-V6) | 1 |
| J131* | 6510014961 | B2B-ZR-SM4-TF (LF) (SN) | 1 |
| J132* | 6510014961 | B2B-ZR-SM4-TF (LF) (SN) | 1 |
| F1 | 5220000400 | FHA010-01F | 1 |
| F2 | 5210000940 | 1205 | 1 |
| W40 | 8900018211 | OPC-1942A | [#02] 1 |
| | 8900018220 | OPC-1943 | [#03] 1 |
| | 8900018220 | OPC-1943 | [#04] 1 |
| | 8900018220 | OPC-1943 | [#05] 1 |
| | 8900018220 | OPC-1943 | [#06] 1 |
| | 8900018220 | OPC-1943 | [#07] 1 |
| | 8900017860 | OPC-1857 | [#08] 1 |
| | 8900017860 | OPC-1857 | [#09] 1 |
| | 8900017860 | OPC-1857 | [#10] 1 |
| MP4 | 8930075440 | 3015 RUG SPRING | 1 |
| MP5 | 8930075440 | 3015 RUG SPRING | 1 |
| MP39 | 8930073470 | THERMAL SHEET (BK) TC400HS-1.4 (24*29) | 1 |

[VR-A UNIT] (VA)

| REF NO. | PART NO. | DESCRIPTION | QTY. |
|---------|------------|-------------------|------|
| J1* | 6510026670 | IMSA-6281S-06Y900 | 1 |

[VR-B UNIT] (VB)

| REF NO. | PART NO. | DESCRIPTION | QTY. |
|---------|------------|--------------------------|------|
| J1* | 6510020711 | 52793-1070 | 1 |
| S1 | 2250000640 | TP96D96E20-22F-10KB-3015 | 1 |

[MIC UNIT] (MC)

| REF NO. | PART NO. | DESCRIPTION | QTY. |
|---------|------------|-----------------|------|
| J1 | 6510000191 | FM214-8SS (P)-1 | 1 |
| J2* | 6510019971 | 52808-1071 | 1 |

[FRONT UNIT] (F)

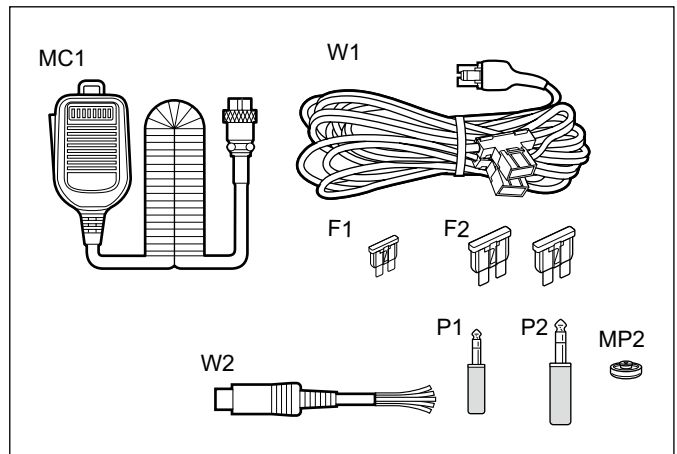
| REF NO. | PART NO. | DESCRIPTION | QTY. |
|---------|------------|---------------------------------------|---------|
| MP1 | 8210024861 | 3015 FRONT PANEL ASSEMBLY-1 | 1 |
| MP21 | 8010021141 | 3015 SUB CHASSIS ASSEMBLY-1 | 1 |
| MP32 | 8610013750 | KNOB N-366 ASSEMBLY | 1 |
| SP1 | 2510001480 | 4050P0802 | 1 |
| W1 | 8900014720 | OPC-909A (P1N10L110) | 1 |
| W2 | 8900014740 | OPC-885A (P1N10L39) | 1 |
| W3 | 8900014740 | OPC-885A (P1N10L39) | 1 |
| W4 | 8900018190 | OPC-1892A | [#02] 1 |
| | 8900018200 | OPC-1941 | [#03] 1 |
| | 8900018200 | OPC-1941 | [#04] 1 |
| | 8900018200 | OPC-1941 | [#05] 1 |
| | 8900018200 | OPC-1941 | [#06] 1 |
| | 8900018200 | OPC-1941 | [#07] 1 |
| | 8900018190 | OPC-1892A | [#08] 1 |
| | 8900018190 | OPC-1892A | [#09] 1 |
| | 8900018190 | OPC-1892A | [#10] 1 |
| EP1 | 0880001360 | EX-2500 #02 SENSOR | 1 |
| MP3 | 8830003210 | 3015 HEX NUT | 2 |
| MP5 | 8610013671 | KNOB N-375-1 | 1 |
| MP6 | 8610013610 | KNOB N-367 | 1 |
| MP7 | 8610013621 | KNOB N-368-1 | 1 |
| MP8 | 8610013630 | KNOB N-369 | 1 |
| MP9 | 8610013640 | KNOB N-370 | 1 |
| MP10 | 8610013651 | KNOB N-371-1 | 1 |
| MP11 | 8930075120 | 3015 FRONT PACKING (TOT) | 1 |
| MP12 | 8930074990 | 3015 17-KEY (SC) | 1 |
| MP13 | 8930075000 | 3015 6-KEY (SC) | 1 |
| MP15 | 8930076520 | 3015 A-VR RUBBER (TOT) | 1 |
| MP16 | 8820001490 | 3015 CAP SCREW | 8 |
| MP17 | 8930076510 | 3015 VR RUBBER (TOT) | 1 |
| MP18 | 8930074540 | O-RING (BU) | 1 |
| MP19 | 8930074350 | O-RING (BW) (TOP) | 8 |
| MP20 | 8930075160 | 3015 LENS (TOT) | 1 |
| MP26 | 8930075150 | 3015 CONNECTOR SEAL (TOT) | 1 |
| MP27 | 8810008661 | PH BT M3x8 NI-ZC3 | 6 |
| MP28 | 8810008661 | PH BT M3x8 NI-ZC3 | 6 |
| MP33 | 8930021220 | SPONGE (CP) | 1 |
| MP34 | 8930071830 | HIMELON SHEET (CS) | 1 |
| MP35 | 8930070300 | SPONGE (JD) | 1 |
| MP36 | 8930021220 | SPONGE (CP) | 1 |
| MP37 | 8930067980 | SHIELD SPONGE (AS) | [#03] 1 |
| | 8930067980 | SHIELD SPONGE (AS) | [#04] 1 |
| | 8930067980 | SHIELD SPONGE (AS) | [#05] 1 |
| | 8930067980 | SHIELD SPONGE (AS) | [#06] 1 |
| | 8930067980 | SHIELD SPONGE (AS) | [#07] 1 |
| MP38 | 8930078390 | THERMAL SHEET (BQ) TC350HS-1.4 (8X20) | 1 |
| MP39 | 8930091070 | 1768 SNAP PLATE | 1 |

[PHONE UNIT] (PH)

| REF NO. | PART NO. | DESCRIPTION | QTY. |
|---------|------------|-------------|------|
| J1 | 6510027890 | 01J0370-00 | 1 |
| J2* | 6510019971 | 52808-1071 | 1 |

[ACCESSORIES]

| REF NO. | PART NO. | DESCRIPTION | QTY. |
|---------|------------|---------------------|------|
| P1 | 5610000730 | MP-119B-R | 1 |
| P2 | 5610000750 | MP-013MS-R | 1 |
| F1 | 5210000841 | ATC 30-1 | 2 |
| F2 | 5210000940 | 1205 | 1 |
| MC1 | (Option) | HM-36 | 1 |
| W1 | 8900021450 | OPC-1457-1 | 1 |
| W2 | 8900006110 | OPC-596 | 1 |
| MP2 | 8930076480 | 3015 JACK CAP (TOT) | 1 |



*: Refer to "BOARD LAYOUTS" for the location.

** : Refer to "GENERAL WIRING" for the connection

Screw abbreviations A, B0, BT: Self-tapping PH: Pan head ZK: Black NI-ZU: Nickel-Zinc SUS: Stainless

PARTS LIST

[MAIN UNIT]

| REF NO. | PART NO. | DESCRIPTION | M. | H/V LOCATION |
|---------|------------|--------------------------|----|--------------|
| IC1 | 1110004310 | S.IC M62352GP 75EC | T | 164.8/26.4 |
| IC2 | 1110004310 | S.IC M62352GP 75EC | T | 103.2/70.8 |
| IC4 | 1110003800 | S.IC NJM2904V-TE1-#FMZB | T | 192.1/31.1 |
| IC521 | 1110005461 | S.IC TA4107F (TE12LF) | T | 144.9/38.6 |
| IC591 | 1130008511 | S.IC TC7W53FU (TE12LF) | T | 78.2/42.0 |
| IC671 | 1130014270 | S.IC TS5A2053DCTR | T | 70.9/36.0 |
| IC672 | 1130014260 | S.IC SN74LVC2GU04DCKR | T | 73.9/29.3 |
| IC1021 | 1130008511 | S.IC TC7W53FU (TE12LF) | T | 58.1/47.1 |
| IC1031 | 1110006570 | S.IC TS462CPT | T | 55.3/38.7 |
| IC1032 | 1130008511 | S.IC TC7W53FU (TE12LF) | T | 103.1/16.4 |
| IC1051 | 1110006570 | S.IC TS462CPT | T | 18.2/79.5 |
| IC1081 | 1130008511 | S.IC TC7W53FU (TE12LF) | T | 162.5/95.7 |
| IC1082 | 1130008511 | S.IC TC7W53FU (TE12LF) | T | 5.7/77.5 |
| IC1091 | 1110003091 | IC LA4425A-E | | |
| IC1501 | 1180003230 | S.REG TK68112AMFG0L | T | 31.0/73.0 |
| IC1511 | 1130012600 | S.IC SN74AHC1G04DCKR | T | 61.6/35.7 |
| IC1521 | 1180002020 | S.REG BA033FF-E2 | T | 27.0/84.7 |
| IC1531 | 1130014952 | S.IC AT26DF081A-SSU | T | 46.6/38.3 |
| IC1551 | 1140013590 | S.IC ADSP-BF532SBSTZ400 | T | 50.3/18.6 |
| IC1591 | 1130013560 | S.IC LY61L6416ML-15 | T | 78.5/17.1 |
| IC1601 | 1110006570 | S.IC TS462CPT | T | 44.5/46.9 |
| IC1621 | 1110006570 | S.IC TS462CPT | T | 38.9/55.7 |
| IC1641 | 1110006570 | S.IC TS462CPT | T | 50.1/55.7 |
| IC1661 | 1190003250 | S.IC AK4621EFP-E2 | T | 22.9/57.7 |
| IC1681 | 1130011820 | S.IC SN74LVC245APWR | T | 9.0/56.4 |
| IC1691 | 1130013590 | S.IC SN74AHC1G126DCKR | T | 32.2/25.5 |
| IC1692 | 1110004770 | S.IC BU9480F-E2 | T | 14.8/88.9 |
| IC1701 | 1110006570 | S.IC TS462CPT | T | 10.6/70.9 |
| IC2011 | 1110006870 | S.IC UPC2709TB-E3 | T | 71.8/80.1 |
| IC2041 | 1130012610 | S.IC SN74AHC1GU04DCKR | T | 72.9/69.7 |
| IC2042 | 1130013440 | S.IC SN74LVC2G74DCTR | T | 69.3/67.7 |
| IC2043 | 1190001811 | S.IC AD9833BRMZ-REEL7 | T | 74.4/58.7 |
| IC2091 | 1110006870 | S.IC UPC2709TB-E3 | T | 80.3/66.2 |
| IC2151 | 1110006870 | S.IC UPC2709TB-E3 | T | 41.5/77.1 |
| IC2501 | 1130012850 | S.IC SN74LVC3G34DCUR | T | 52.0/78.3 |
| IC2502 | 1130012781 | S.IC SN74AHC2G04HDCT3 | T | 51.4/82.8 |
| IC2503 | 1180003220 | S.REG TK68118AMFG0L | T | 37.1/82.0 |
| IC2541 | 1190002101 | S.IC AD9951YSVZ | T | 44.2/92.7 |
| IC2601 | 1110006870 | S.IC UPC2709TB-E3 | T | 97.1/93.6 |
| IC2701 | 1130011760 | S.IC CD4094BPWR | T | 103.2/80.5 |
| IC3201 | 1190002261 | S.IC USB2502-AEZG-TR | T | 179.0/59.5 |
| IC3202 | 1190002240 | S.IC PCM2901E/2K | T | 177.3/39.9 |
| IC3203 | 1190002730 | S.IC CP2102-GMR | T | 178.1/69.9 |
| IC3204 | 1130005721 | S.IC TC7W04F (TE12LF) | T | 171.1/70.6 |
| IC3205 | 1130010461 | S.IC TC75H08FU (TE85LJF) | T | 169.0/61.9 |
| IC3206 | 1180003240 | S.REG TK68133AMFG0L | T | 193.6/59.0 |
| IC3207 | 1180003240 | S.REG TK68133AMFG0L | T | 188.0/59.0 |
| IC3242 | 1180005060 | REG UPC2908HB-AY | | |
| Q1 | 1590004400 | S.STR DMG564010R | T | 122.8/18.8 |
| Q2 | 1590004400 | S.STR DMG564010R | T | 117.3/19.0 |
| Q501 | 1530002680 | S.STR 2SC3357-T1 | T | 157.1/76.8 |
| Q502 | 1560000721 | S.FET 2SK2171-4-TD-E | T | 160.2/37.3 |
| Q503 | 1560000721 | S.FET 2SK2171-4-TD-E | T | 158.9/43.1 |
| Q504 | 1560000721 | S.FET 2SK2171-4-TD-E | T | 153.9/43.1 |
| Q505 | 1560000721 | S.FET 2SK2171-4-TD-E | T | 152.6/37.3 |
| Q506 | 1590004400 | S.STR DMG564010R | T | 162.5/51.5 |
| Q521 | 1580000820 | S.FET 3SK264-5-TG-E | T | 142.3/50.9 |
| Q531 | 1530002371 | S.STR 2SC2714-O (TE85RF) | T | 146.4/29.1 |
| Q551 | 1580000820 | S.FET 3SK264-5-TG-E | T | 134.3/49.7 |
| Q581 | 1580000820 | S.FET 3SK264-5-TG-E | T | 115.6/25.3 |
| Q611 | 1580000820 | S.FET 3SK264-5-TG-E | T | 89.7/32.0 |
| Q651 | 1530002060 | S.STR 2SC4081 T106 R | T | 85.9/44.2 |
| Q652 | 1580000820 | S.FET 3SK264-5-TG-E | T | 92.4/50.3 |
| Q653 | 1580000820 | S.FET 3SK264-5-TG-E | T | 98.3/42.6 |
| Q654 | 1530002060 | S.STR 2SC4081 T106 R | T | 87.6/56.2 |
| Q1531 | 1590004400 | S.STR DMG564010R | T | 26.9/71.1 |
| Q2011 | 1530002371 | S.STR 2SC2714-O (TE85RF) | T | 65.8/80.5 |
| Q2701 | 1590004400 | S.STR DMG564010R | T | 145.4/92.5 |
| Q2702 | 1590004400 | S.STR DMG564010R | T | 145.4/88.9 |
| Q2703 | 1590004400 | S.STR DMG564010R | T | 145.4/79.0 |
| Q2704 | 1590004400 | S.STR DMG564010R | T | 145.4/75.3 |
| Q3201 | 1590004390 | S.STR DMG504010R | T | 164.5/70.9 |
| Q3202 | 1590004400 | S.STR DMG564010R | T | 177.2/64.3 |
| D1 | 1790001251 | S.DIO MA2S1110GL | T | 192.3/35.2 |
| D31 | 1790001251 | S.DIO MA2S1110GL | T | 22.3/4.9 |
| D41 | 1790001251 | S.DIO MA2S1110GL | T | 18.6/1.6 |
| D501 | 1790001261 | S.DIO MA2S077G0L | T | 166.5/47.1 |
| D521 | 1790001261 | S.DIO MA2S077G0L | T | 156.5/61.2 |
| D522 | 1790001261 | S.DIO MA2S077G0L | T | 149.9/58.3 |
| D523 | 1790001261 | S.DIO MA2S077G0L | T | 148.1/25.9 |
| D524 | 1790001261 | S.DIO MA2S077G0L | T | 144.8/25.9 |
| D525 | 1790001261 | S.DIO MA2S077G0L | T | 147.9/44.6 |
| D551 | 1790001261 | S.DIO MA2S077G0L | T | 124.3/62.2 |
| D552 | 1790001261 | S.DIO MA2S077G0L | T | 123.3/59.7 |
| D553 | 1790001261 | S.DIO MA2S077G0L | T | 125.2/59.8 |
| D554 | 1790001261 | S.DIO MA2S077G0L | T | 124.4/44.2 |
| D571 | 1750000431 | S.DIO HSB88WSTR-E | T | 113.4/53.3 |
| D581 | 1790001261 | S.DIO MA2S077G0L | T | 118.5/39.8 |
| D582 | 1790001261 | S.DIO MA2S077G0L | T | 118.5/41.5 |
| D583 | 1790001261 | S.DIO MA2S077G0L | T | 112.3/30.6 |
| D584 | 1790001261 | S.DIO MA2S077G0L | T | 109.8/31.1 |
| D611 | 1790001261 | S.DIO MA2S077G0L | T | 93.4/35.7 |
| D621 | 1790001261 | S.DIO MA2S077G0L | T | 82.0/36.3 |
| D641 | 1790001261 | S.DIO MA2S077G0L | T | 96.0/38.0 |
| D671 | 1790001261 | S.DIO MA2S077G0L | T | 81.4/39.7 |

[MAIN UNIT]

| REF NO. | PART NO. | DESCRIPTION | M. | H/V LOCATION |
|---------|------------|---------------------------|----|--------------|
| D1082 | 1790001241 | S.DIO MA2S7280GL | T | 160.2/94.6 |
| D1084 | 1790001241 | S.DIO MA2S7280GL | T | 159.0/94.6 |
| D2572 | 1750000620 | S.DIO MA717WK (TX) | T | 80.0/92.7 |
| D2594 | 1790001622 | S.DIO 1SV308L3F | T | 54.0/94.5 |
| D2595 | 1790001622 | S.DIO 1SV308L3F | T | 71.2/98.6 |
| D2596 | 1790001622 | S.DIO 1SV308L3F | T | 71.2/97.4 |
| D2597 | 1790001622 | S.DIO 1SV308L3F | T | 67.9/93.2 |
| D2801 | 1790001622 | S.DIO 1SV308L3F | T | 115.6/98.6 |
| D2802 | 1790001622 | S.DIO 1SV308L3F | T | 141.1/97.2 |
| D2851 | 1790001622 | S.DIO 1SV308L3F | T | 115.8/92.8 |
| D2852 | 1790001622 | S.DIO 1SV308L3F | T | 141.1/90.4 |
| D2901 | 1790001622 | S.DIO 1SV308L3F | T | 115.8/86.0 |
| D2902 | 1790001622 | S.DIO 1SV308L3F | T | 141.1/83.6 |
| D2951 | 1790001622 | S.DIO 1SV308L3F | T | 115.8/79.2 |
| D2952 | 1790001622 | S.DIO 1SV308L3F | T | 141.2/76.8 |
| D2955 | 1720000811 | S.VAR HVC358BTRF-E | T | 133.0/54.5 |
| D2956 | 1720000811 | S.VAR HVC358BTRF-E | T | 135.2/43.5 |
| D3201 | 1790001241 | S.DIO MA2S7280GL | T | 174.8/62.6 |
| D3202 | 1790001241 | S.DIO MA2S7280GL | T | 173.6/62.3 |
| D3203 | 1790001251 | S.DIO MA2S1110GL | T | 164.4/74.3 |
| FI541 | 2010002720 | S.XTA FL-421 (64.455 MHz) | T | 140.0/65.0 |
| FI601 | 2020001330 | CER CFWLA455KHFA-B0 | | |
| X2011 | 6050012560 | S.XTA CR-770B (32 MHz) | T | 62.8/79.6 |
| X3201 | 6050012780 | S.XTA CR-871 (24 MHz) | T | 178.6/52.1 |
| X3202 | 6050012770 | S.XTA CR-870 (12 MHz) | T | 177.2/32.3 |
| L1 | 6200007790 | S.COI LQW2BHN15J03L | T | 141.6/22.7 |
| L2 | 6200002431 | S.COI NLV25T-082J-PF | T | 144.5/23.2 |
| L63 | 6200002041 | S.COI NLV25T-101J-PF | T | 161.3/21.6 |
| L501 | 6200003281 | S.COI NLV25T-2R2J-PF | T | 161.5/77.4 |
| L503 | 6140002810 | S.COI LR-317 | T | 166.3/41.4 |
| L504 | 6140004680 | S.COI LR-528 4KBL | T | 155.5/28.4 |
| L505 | 6140004680 | S.COI LR-528 4KBL | T | 155.7/51.8 |
| L506 | 6200003261 | S.COI NLV32T-101J-PF | T | 162.5/48.7 |
| L507 | 6200013240 | S.COI C2012C-R68J-A | T | 158.8/47.4 |
| L508 | 6200013240 | S.COI C2012C-R68J-A | T | 152.9/47.4 |
| L509 | 6200007760 | S.COI LQW2BHN82N03L | T | 154.5/57.6 |
| L510 | 6200007800 | S.COI LQW2BHN18J03L | T | 157.4/57.0 |
| L511 | 6200002041 | S.COI NLV25T-101J-PF | T | 161.8/59.1 |
| L517 | 6200002631 | S.COI NLV25T-R10J-PF | T | 160.3/72.0 |
| L521 | 6200009861 | S.COI NLV25T-101J-PF | T | 141.7/45.4 |
| L522 | 6200003261 | S.COI NLV32T-101J-PF | T | 140.0/28.9 |
| L523 | 6200003261 | S.COI NLV32T-101J-PF | T | 149.6/52.5 |
| L524 | 6200005011 | S.COI NLV25T-100J-PF | T | 141.3/57.6 |
| L525 | 6200002041 | S.COI NLV25T-101J-PF | T | 141.6/34.2 |
| L526 | 6200003261 | S.COI NLV32T-101J-PF | T | 163.1/56.3 |
| L527 | 6200002181 | S.COI NLV25T-R12J-PF | T | 156.5/63.9 |
| L528 | 6200002041 | S.COI NLV25T-101J-PF | T | 141.6/37.0 |
| L529 | 6200002041 | S.COI NLV25T-101J-PF | T | 139.0/41.1 |
| L530 | 6200003261 | S.COI NLV32T-101J-PF | T | 153.2/21.1 |
| L534 | 6200003261 | S.COI NLV32T-101J-PF | T | 148.9/32.8 |
| L541 | 6140004710 | S.COI LR-531 4KBL-S070834 | T | 149.9/64.4 |
| L542 | 6140004710 | S.COI LR-531 4KBL-S070834 | T | 130.2/63.8 |
| L549 | 6200002631 | S.COI NLV25T-R10J-PF | T | 148.3/40.0 |
| L551 | 6150005441 | COI LS-555A 7K7-080614B | | |
| L552 | 6150005441 | COI LS-555A 7K7-080614B | | |
| L571 | 6140004680 | S.COI LR-528 4KBL | T | 119.1/53.3 |
| L572 | 6140002810 | S.COI LR-317 | T | 106.4/53.3 |
| L581 | 6150005420 | COI LS-554 7QM | | |
| L582 | 6200003520 | S.COI ELJFB 102K-F | T | 109.3/25.5 |
| L583 | 6150005410 | COI LS-553 7QM | | |
| L585 | 6200003520 | S.COI ELJFB 102K-F | T | 91.4/42.9 |
| L586 | 6200003261 | S.COI NLV32T-101J-PF | T | 69.0/42.5 |
| L600 | 6200003520 | S.COI ELJFB 102K-F | T | 72.2/45.9 |
| L603 | 6200002601 | S.COI NLV25T-047J-PF | T | 167.1/54.4 |
| L604 | 6200002421 | S.COI NLV25T-068J-PF | T | 166.5/50.6 |
| L615 | 6200003520 | S.COI ELJFB 102K-F | T | 93.1/28.5 |
| L651 | 6200003520 | S.COI ELJFB 102K-F | T | 97.0/48.8 |
| L652 | 6200003520 | S.COI ELJFB 102K-F | T | 85.3/49.6 |
| L671 | 6200003261 | S.COI NLV32T-101J-PF | T | 69.9/30.0 |
| L672 | 6200005521 | S.COI NLV25T-470J-PF | T | 79.1/30.9 |
| L673 | 6140004680 | S.COI LR-528 4KBL | T | 77.5/36.2 |
| L1021 | 6200003261 | S.COI NLV32T-101J-PF | T | 58.0/52.8 |
| L1031 | 6200003261 | S.COI NLV32T-101J-PF | T | 110.2/31.7 |
| L1081 | 6200002041 | S.COI NLV25T-101J-PF | T | 166.4/91.5 |
| L1082 | 6200002041 | S.COI NLV25T-101J-PF | T | 3.2/81.3 |
| L1091 | 6140002220 | COI LR-270 (TR6X3X2 3A9) | | |
| L1531 | 6200005011 | S.COI NLV25T-100J-PF | T | 40.3/43.7 |
| L1532 | 6200002041 | S.COI NLV25T-101J-PF | T | 23.8/71.4 |
| L1591 | 6200003261 | S.COI NLV32T-101J-PF | T | 69.3/8.2 |
| L1661 | 6200005011 | S.COI NLV25T-100J-PF | T | 17.4/60.2 |
| L1662 | 6200005011 | S.COI NLV25T-100J-PF | T | 18.8/51.3 |
| L1681 | 6200005011 | S.COI NLV25T-100J-PF | T | 12.0/51.6 |
| L1691 | 6200005011 | S.COI NLV25T-100J-PF | T | 32.0/23.0 |
| L1692 | 6200005011 | S.COI NLV25T-100J-PF | T | 22.3/89.7 |
| L2011 | 6200005011 | S.COI NLV25T-101J-PF | T | 71.8/77.3 |
| L2012 | 6200005011 | S.COI NLV25T-100J-PF | T | 67.3/83.6 |
| L2013 | 6200005011 | S.COI NLV25T-100J-PF | T | 60.1/83.0 |
| L2014 | 6200005011 | S.COI NLV25T-100J-PF | T | 69.6/74.7 |
| L2021 | 6200007800 | S.COI LQW2BHN18J03L | T | 63.7/58.9 |
| L2022 | 6200002841 | S.COI NLV25T-R22J-PF | T | 60.9/58.1 |

[MAIN UNIT]

Table with columns: REF NO., PART NO., DESCRIPTION, M., H/V LOCATION. Lists components for the main unit, including various S.COI and S.RES parts with their descriptions and locations.

[MAIN UNIT]

Table with columns: REF NO., PART NO., DESCRIPTION, M., H/V LOCATION. Lists components for the main unit, including S.RES parts and S.THR parts with their descriptions and locations.

Eqv.= This component is equivalent to the REF No. component listed above, and may be substituted on parts orders and repairs.

M.=Mounted side (T: Mounted on the Top side, B: Mounted on the Bottom side) H/V LOCATION=See the BOARD LAYOUTS for details.

[MAIN UNIT]

| REF NO. | PART NO. | DESCRIPTION | M. | H/V LOCATION |
|---------|------------|------------------------------|----|--------------|
| R611 | 7030003520 | S.RES ERJ3GEYJ 472 V (4.7 k) | T | 91.8/37.5 |
| R614 | 7030003280 | S.RES ERJ3GEYJ 470 V (47) | T | 89.9/26.2 |
| R617 | 7030003860 | S.RES ERJ3GE JPW V | T | 93.3/34.1 |
| R618 | 7030003560 | S.RES ERJ3GEYJ 103 V (10 k) | T | 90.0/29.6 |
| R619 | 7030003260 | S.RES ERJ3GEYJ 330 V (33) | T | 90.2/29.5 |
| R620 | 7030003600 | S.RES ERJ3GEYJ 223 V (22 k) | T | 86.8/33.2 |
| R621 | 7030003640 | S.RES ERJ3GEYJ 473 V (47 k) | T | 87.3/35.6 |
| R622 | 7030003860 | S.RES ERJ3GE JPW V | T | 86.8/34.4 |
| R623 | 7030003560 | S.RES ERJ3GEYJ 103 V (10 k) | T | 86.3/29.7 |
| R624 | 7030003400 | S.RES ERJ3GEYJ 471 V (470) | T | 86.3/30.0 |
| R652 | 7030003280 | S.RES ERJ3GEYJ 470 V (47) | T | 87.4/42.2 |
| R653 | 7030003400 | S.RES ERJ3GEYJ 471 V (470) | T | 85.9/41.0 |
| R654 | 7030003610 | S.RES ERJ3GEYJ 273 V (27 k) | T | 88.3/45.6 |
| R655 | 7030003640 | S.RES ERJ3GEYJ 473 V (47 k) | T | 88.3/46.8 |
| R656 | 7030003480 | S.RES ERJ3GEYJ 222 V (2.2 k) | T | 94.1/53.1 |
| R657 | 7030003480 | S.RES ERJ3GEYJ 222 V (2.2 k) | T | 92.6/55.5 |
| R658 | 7030003480 | S.RES ERJ3GEYJ 222 V (2.2 k) | T | 88.3/51.2 |
| R659 | 7030003320 | S.RES ERJ3GEYJ 101 V (100) | T | 88.3/52.4 |
| R660 | 7510001541 | S.THE NTCG16 4BH 332JT | T | 96.7/54.3 |
| R661 | 7030003560 | S.RES ERJ3GEYJ 103 V (10 k) | T | 89.0/59.6 |
| R662 | 7030003560 | S.RES ERJ3GEYJ 103 V (10 k) | T | 90.0/56.2 |
| R663 | 7510001541 | S.THE NTCG16 4BH 332JT | T | 94.1/54.3 |
| R664 | 7030003280 | S.RES ERJ3GEYJ 470 V (47) | T | 95.0/46.3 |
| R665 | 7030003520 | S.RES ERJ3GEYJ 472 V (4.7 k) | T | 99.6/45.1 |
| R666 | 7030003320 | S.RES ERJ3GEYJ 101 V (100) | T | 95.5/42.7 |
| R667 | 7030003520 | S.RES ERJ3GEYJ 472 V (4.7 k) | T | 101.3/42.0 |
| R668 | 7030003670 | S.RES ERJ3GEYJ 823 V (82 k) | T | 96.6/40.3 |
| R669 | 7030003620 | S.RES ERJ3GEYJ 333 V (33 k) | T | 100.5/39.1 |
| R670 | 7510001541 | S.THE NTCG16 4BH 332JT | T | 95.5/43.9 |
| R671 | 7030003260 | S.RES ERJ3GEYJ 330 V (33) | T | 92.4/48.0 |
| R672 | 7030003400 | S.RES ERJ3GEYJ 471 V (470) | T | 88.9/53.6 |
| R674 | 7030003860 | S.RES ERJ3GE JPW V | T | 84.8/42.2 |
| R675 | 7030003400 | S.RES ERJ3GEYJ 471 V (470) | T | 82.2/42.2 |
| R676 | 7030003520 | S.RES ERJ3GEYJ 472 V (4.7 k) | T | 66.9/32.1 |
| R677 | 7030003520 | S.RES ERJ3GEYJ 472 V (4.7 k) | T | 66.9/33.3 |
| R678 | 7030003480 | S.RES ERJ3GEYJ 222 V (2.2 k) | T | 70.9/39.5 |
| R679 | 7030003480 | S.RES ERJ3GEYJ 222 V (2.2 k) | T | 73.5/39.5 |
| R680 | 7030003400 | S.RES ERJ3GEYJ 471 V (470) | T | 82.4/34.5 |
| R681 | 7030003680 | S.RES ERJ3GEYJ 104 V (100 k) | T | 74.4/27.4 |
| R682 | 7030003440 | S.RES ERJ3GEYJ 102 V (1 k) | T | 74.4/26.2 |
| R684 | 7030003530 | S.RES ERJ3GEYJ 562 V (5.6 k) | T | 95.4/51.3 |
| R685 | 7030004040 | S.RES ERJ3GEYJ 4R7 V (4.7) | T | 78.9/26.8 |
| R686 | 7030003440 | S.RES ERJ3GEYJ 102 V (1 k) | T | 78.2/28.7 |
| R687 | 7030003440 | S.RES ERJ3GEYJ 102 V (1 k) | T | 77.0/27.4 |
| R1021 | 7030003520 | S.RES ERJ3GEYJ 472 V (4.7 k) | T | 56.7/50.7 |
| R1022 | 7030003520 | S.RES ERJ3GEYJ 472 V (4.7 k) | T | 56.7/49.5 |
| R1023 | 7030003320 | S.RES ERJ3GEYJ 101 V (100) | T | 59.3/50.7 |
| R1024 | 7030003640 | S.RES ERJ3GEYJ 473 V (47 k) | T | 54.5/48.5 |
| R1025 | 7030003640 | S.RES ERJ3GEYJ 473 V (47 k) | T | 63.6/45.6 |
| R1026 | 7030003640 | S.RES ERJ3GEYJ 473 V (47 k) | T | 60.6/39.6 |
| R1031 | 7030003420 | S.RES ERJ3GEYJ 681 V (680) | T | 107.6/17.5 |
| R1032 | 7030003560 | S.RES ERJ3GEYJ 103 V (10 k) | T | 110.9/16.4 |
| R1033 | 7030003520 | S.RES ERJ3GEYJ 472 V (4.7 k) | T | 50.1/44.2 |
| R1034 | 7030003860 | S.RES ERJ3GE JPW V | T | 52.7/45.4 |
| R1035 | 7030003680 | S.RES ERJ3GEYJ 104 V (100 k) | T | 51.9/41.8 |
| R1036 | 7030003320 | S.RES ERJ3GEYJ 101 V (100) | T | 61.7/41.1 |
| R1037 | 7030003680 | S.RES ERJ3GEYJ 104 V (100 k) | T | 62.5/38.8 |
| R1038 | 7030003320 | S.RES ERJ3GEYJ 101 V (100) | T | 106.9/19.9 |
| R1039 | 7030003640 | S.RES ERJ3GEYJ 473 V (47 k) | T | 100.3/18.4 |
| R1040 | 7030003640 | S.RES ERJ3GEYJ 473 V (47 k) | T | 102.9/18.9 |
| R1041 | 7030003460 | S.RES ERJ3GEYJ 152 V (1.5 k) | T | 110.9/15.2 |
| R1042 | 7030003560 | S.RES ERJ3GEYJ 103 V (10 k) | T | 110.9/14.0 |
| R1043 | 7030003620 | S.RES ERJ3GEYJ 333 V (33 k) | T | 50.9/37.0 |
| R1044 | 7030003640 | S.RES ERJ3GEYJ 473 V (47 k) | T | 56.1/42.4 |
| R1045 | 7030003530 | S.RES ERJ3GEYJ 562 V (5.6 k) | T | 52.8/36.2 |
| R1052 | 7030003560 | S.RES ERJ3GEYJ 103 V (10 k) | T | 15.1/78.6 |
| R1053 | 7030003560 | S.RES ERJ3GEYJ 103 V (10 k) | T | 18.2/85.2 |
| R1054 | 7030003600 | S.RES ERJ3GEYJ 223 V (22 k) | T | 21.2/78.2 |
| R1055 | 7030003320 | S.RES ERJ3GEYJ 101 V (100) | T | 15.1/76.2 |
| R1056 | 7030003860 | S.RES ERJ3GE JPW V | T | 11.0/84.4 |
| R1057 | 7030003600 | S.RES ERJ3GEYJ 223 V (22 k) | T | 21.2/79.4 |
| R1058 | 7030003680 | S.RES ERJ3GEYJ 104 V (100 k) | T | 21.2/81.8 |
| R1059 | 7030003620 | S.RES ERJ3GEYJ 333 V (33 k) | T | 18.2/84.0 |
| R1060 | 7030003440 | S.RES ERJ3GEYJ 102 V (1 k) | T | 15.5/84.0 |
| R1061 | 7030003320 | S.RES ERJ3GEYJ 101 V (100) | T | 15.1/82.2 |
| R1063 | 7030003640 | S.RES ERJ3GEYJ 473 V (47 k) | T | 18.7/70.4 |
| R1064 | 7030003640 | S.RES ERJ3GEYJ 473 V (47 k) | T | 15.1/79.8 |
| R1070 | 7030003520 | S.RES ERJ3GEYJ 472 V (4.7 k) | T | 163.1/88.9 |
| R1071 | 7030003520 | S.RES ERJ3GEYJ 472 V (4.7 k) | T | 159.6/89.1 |
| R1072 | 7030003560 | S.RES ERJ3GEYJ 103 V (10 k) | T | 162.2/91.3 |
| R1073 | 7030003560 | S.RES ERJ3GEYJ 103 V (10 k) | T | 159.6/91.5 |
| R1074 | 7030003560 | S.RES ERJ3GEYJ 103 V (10 k) | T | 164.3/98.9 |
| R1075 | 7030003520 | S.RES ERJ3GEYJ 472 V (4.7 k) | T | 9.5/80.8 |
| R1076 | 7030003520 | S.RES ERJ3GEYJ 472 V (4.7 k) | T | 9.5/83.2 |
| R1077 | 7030003560 | S.RES ERJ3GEYJ 103 V (10 k) | T | 5.4/74.3 |
| R1078 | 7030003560 | S.RES ERJ3GEYJ 103 V (10 k) | T | 6.8/83.2 |
| R1079 | 7030003560 | S.RES ERJ3GEYJ 103 V (10 k) | T | 6.9/81.1 |
| R1080 | 7030003440 | S.RES ERJ3GEYJ 102 V (1 k) | T | 158.2/96.5 |
| R1081 | 7030003280 | S.RES ERJ3GEYJ 470 V (47) | T | 159.6/92.7 |
| R1083 | 7030003640 | S.RES ERJ3GEYJ 473 V (47 k) | T | 165.8/94.9 |
| R1084 | 7030003800 | S.RES ERJ3GEYJ 105 V (1 M) | T | 157.0/95.1 |
| R1086 | 7030003320 | S.RES ERJ3GEYJ 101 V (100) | T | 165.8/93.7 |
| R1087 | 7030003320 | S.RES ERJ3GEYJ 101 V (100) | T | 2.8/79.4 |
| R1088 | 7030003280 | S.RES ERJ3GEYJ 470 V (47) | T | 8.6/75.8 |
| R1089 | 7030003640 | S.RES ERJ3GEYJ 473 V (47 k) | T | 8.6/79.4 |
| R1090 | 7030003440 | S.RES ERJ3GEYJ 102 V (1 k) | T | 8.6/78.2 |
| R1091 | 7030003860 | S.RES ERJ3GE JPW V | T | 173.8/84.5 |
| R1092 | 7030003560 | S.RES ERJ3GEYJ 103 V (10 k) | T | 164.3/100.1 |
| R1093 | 7030003440 | S.RES ERJ3GEYJ 102 V (1 k) | T | 168.4/97.6 |
| R1094 | 7030003400 | S.RES ERJ3GEYJ 471 V (470) | T | 183.2/84.0 |
| R1095 | 7030004040 | S.RES ERJ3GEYJ 4R7 V (4.7) | T | 186.8/86.7 |
| R1096 | 7030010260 | S.RES ERJ1TYJ 3R3 U | T | 176.3/82.0 |
| R1514 | 7030003320 | S.RES ERJ3GEYJ 101 V (100) | T | 63.8/32.1 |
| R1515 | 7030003800 | S.RES ERJ3GEYJ 105 V (1 M) | T | 59.6/35.6 |

Eqv.= This component is equivalent to the REF No. component listed above, and may be substituted on parts orders and repairs.

[MAIN UNIT]

| REF NO. | PART NO. | DESCRIPTION | M. | H/V LOCATION |
|---------|--------------|------------------------------|----|--------------|
| R1516 | 7030003320 | S.RES ERJ3GEYJ 101 V (100) | T | 58.4/35.6 |
| R1521 | 7030003860 | S.RES ERJ3GE JPW V | T | 2.8/53.8 |
| R1531 | 7030003560 | S.RES ERJ3GEYJ 103 V (10 k) | T | 46.1/41.7 |
| R1532 | 7030003440 | S.RES ERJ3GEYJ 102 V (1 k) | T | 33.3/57.9 |
| R1548 | 7030003860 | S.RES ERJ3GE JPW V | T | 29.2/16.1 |
| R1549 | 7030003860 | S.RES ERJ3GE JPW V | T | 66.0/37.8 |
| R1550 | 7030003860 | S.RES ERJ3GE JPW V | T | 55.8/35.5 |
| R1553 | 7030003320 | S.RES ERJ3GEYJ 101 V (100) | T | 57.0/34.0 |
| R1554 | 7030003560 | S.RES ERJ3GEYJ 103 V (10 k) | T | 53.4/34.0 |
| R1555 | 7030003560 | S.RES ERJ3GEYJ 103 V (10 k) | T | 49.8/34.0 |
| R1556 | 7030003560 | S.RES ERJ3GEYJ 103 V (10 k) | T | 66.2/23.4 |
| R1557 | 7030003560 | S.RES ERJ3GEYJ 103 V (10 k) | T | 65.0/23.8 |
| R1558 | 7030003560 | S.RES ERJ3GEYJ 103 V (10 k) | T | 43.6/3.2 |
| R1559 | 7030003560 | S.RES ERJ3GEYJ 103 V (10 k) | T | 42.4/3.2 |
| R1591 | 7030003860 | S.RES ERJ3GE JPW V | T | 82.8/9.2 |
| R1601 | 7030003320 | S.RES ERJ3GEYJ 101 V (100) | T | 52.7/48.8 |
| R1602 | 7030003520 | S.RES ERJ3GEYJ 472 V (4.7 k) | T | 38.8/48.2 |
| R1603 | 7030003520 | S.RES ERJ3GEYJ 472 V (4.7 k) | T | 44.2/50.8 |
| R1604 | 7030003520 | S.RES ERJ3GEYJ 472 V (4.7 k) | T | 41.0/49.4 |
| R1605 | 7030003520 | S.RES ERJ3GEYJ 472 V (4.7 k) | T | 49.8/46.4 |
| R1606 | 7030003520 | S.RES ERJ3GEYJ 472 V (4.7 k) | T | 45.9/44.4 |
| R1607 | 7030003520 | S.RES ERJ3GEYJ 472 V (4.7 k) | T | 49.8/47.6 |
| R1621 | 7030003320 | S.RES ERJ3GEYJ 101 V (100) | T | 42.0/58.8 |
| R1622 | 7030003490 | S.RES ERJ3GEYJ 272 V (2.7 k) | T | 37.2/52.0 |
| R1623 | 7030003490 | S.RES ERJ3GEYJ 272 V (2.7 k) | T | 37.2/50.8 |
| R1624 | 7030003490 | S.RES ERJ3GEYJ 272 V (2.7 k) | T | 40.3/52.0 |
| R1625 | 7030003490 | S.RES ERJ3GEYJ 272 V (2.7 k) | T | 40.3/50.8 |
| R1626 | 7030003460 | S.RES ERJ3GEYJ 152 V (1.5 k) | T | 30.6/59.4 |
| R1627 | 7030003460 | S.RES ERJ3GEYJ 152 V (1.5 k) | T | 38.9/58.2 |
| R1628 | 7030003320 | S.RES ERJ3GEYJ 101 V (100) | T | 33.3/59.4 |
| R1629 | 7030003320 | S.RES ERJ3GEYJ 101 V (100) | T | 38.9/60.6 |
| R1641 | 7030003320 | S.RES ERJ3GEYJ 101 V (100) | T | 52.8/59.4 |
| R1642 | 7030003490 | S.RES ERJ3GEYJ 272 V (2.7 k) | T | 50.1/53.2 |
| R1643 | 7030003490 | S.RES ERJ3GEYJ 272 V (2.7 k) | T | 47.5/52.0 |
| R1644 | 7030003490 | S.RES ERJ3GEYJ 272 V (2.7 k) | T | 52.7/53.2 |
| R1645 | 7030003490 | S.RES ERJ3GEYJ 272 V (2.7 k) | T | 52.1/52.0 |
| R1646 | 7030003460 | S.RES ERJ3GEYJ 152 V (1.5 k) | T | 47.0/59.7 |
| R1647 | 7030003460 | S.RES ERJ3GEYJ 152 V (1.5 k) | T | 49.8/58.4 |
| R1648 | 7030003320 | S.RES ERJ3GEYJ 101 V (100) | T | 44.4/59.7 |
| R1649 | 7030003320 | S.RES ERJ3GEYJ 101 V (100) | T | 49.8/60.9 |
| R1661 | 7030003320 | S.RES ERJ3GEYJ 101 V (100) | T | 22.1/64.2 |
| R1662 | 7030003320 | S.RES ERJ3GEYJ 101 V (100) | T | 29.0/61.4 |
| R1663 | 7030003860 | S.RES ERJ3GE JPW V | T | 29.0/59.0 |
| R1664 | 7030003320 | S.RES ERJ3GEYJ 101 V (100) | T | 29.0/60.2 |
| R1665 | 7030003320 | S.RES ERJ3GEYJ 101 V (100) | T | 29.0/62.6 |
| R1666 | 7030003860 | S.RES ERJ3GE JPW V | T | 21.8/51.5 |
| R1667 | 7030003520 | S.RES ERJ3GEYJ 472 V (4.7 k) | T | 21.9/49.4 |
| R1668 | 7030003500 | S.RES ERJ3GEYJ 332 V (3.3 k) | T | 21.8/50.0 |
| R1669 | 7030003320 | S.RES ERJ3GEYJ 101 V (100) | T | 35.1/13.7 |
| R1686 | 7030003640 | S.RES ERJ3GEYJ 473 V (47 k) | T | 2.8/61.6 |
| R1687 | 7030003640 | S.RES ERJ3GEYJ 473 V (47 k) | T | 29.5/26.6 |
| R1688 | 7030003860 | S.RES ERJ3GE JPW V | T | 24.1/1.6 |
| R1691 | 7030003320 | S.RES ERJ3GEYJ 101 V (100) | T | 19.7/87.7 |
| R1692 | 7030003320 | S.RES ERJ3GEYJ 101 V (100) | T | 20.1/86.5 |
| R1693 | 7030003320 | S.RES ERJ3GEYJ 101 V (100) | T | 19.8/89.6 |
| R1701 | 7030003440 | S.RES ERJ3GEYJ 102 V (1 k) | T | 10.9/64.4 |
| R1702 | 7030003520 | S.RES ERJ3GEYJ 472 V (4.7 k) | T | 6.1/65.5 |
| R1703 | 7030003520 | S.RES ERJ3GEYJ 472 V (4.7 k) | T | 9.0/63.6 |
| R1704 | 7030003500 | S.RES ERJ3GEYJ 332 V (3.3 k) | T | 9.0/64.8 |
| R1705 | 7030003440 | S.RES ERJ3GEYJ 102 V (1 k) | T | 18.2/63.6 |
| R1706 | 7030003520 | S.RES ERJ3GEYJ 472 V (4.7 k) | T | 12.7/63.6 |
| R1707 | 7030003520 | S.RES ERJ3GEYJ 472 V (4.7 k) | T | 15.6/63.6 |
| R1708 | 7030003500 | S.RES ERJ3GEYJ 332 V (3.3 k) | T | 15.6/64.8 |
| R1709 | 7030003500 | S.RES ERJ3GEYJ 332 V (3.3 k) | T | 5.4/69.1 |
| R1710 | 7030003540 | S.RES ERJ3GEYJ 682 V (6.8 k) | T | 5.4/67.9 |
| R1711 | 7030003540 | S.RES ERJ3GEYJ 682 V (6.8 k) | T | 8.7/66.0 |
| R1712 | 7030003500 | S.RES ERJ3GEYJ 332 V (3.3 k) | T | 12.7/67.2 |
| R1713 | 7030003540 | S.RES ERJ3GEYJ 682 V (6.8 k) | T | 12.7/66.0 |
| R1714 | 7030003540 | S.RES ERJ3GEYJ 682 V (6.8 k) | T | 15.6/66.0 |
| R1716 | 7030003320 | S.RES ERJ3GEYJ 101 V (100) | T | 12.5/75.2 |
| R1717 | 7030003560 | S.RES ERJ3GEYJ 103 V (10 k) | T | 15.7/70.4 |
| R2011 | 7030003560</ | | | |

[MAIN UNIT]

| REF NO. | PART NO. | DESCRIPTION | M. | H/V LOCATION |
|---------|------------|------------------------------|----|--------------|
| R2550 | 7030003440 | S.RES ERJ3GEYJ 102 V (1 k) | T | 36.6/96.0 |
| R2551 | 7030003860 | S.RES ERJ3GE JPW V | T | 36.6/97.2 |
| R2552 | 7030003330 | S.RES ERJ3GEYJ 121 V (120) | T | 55.2/91.1 |
| R2553 | 7030003470 | S.RES ERJ3GEYJ 182 V (1.8 k) | T | 51.3/95.9 |
| R2554 | 7030003440 | S.RES ERJ3GEYJ 102 V (1 k) | T | 39.8/96.9 |
| R2555 | 7030003560 | S.RES ERJ3GEYJ 103 V (10 k) | T | 40.8/98.4 |
| R2556 | 7030003470 | S.RES ERJ3GEYJ 182 V (1.8 k) | T | 51.3/97.1 |
| R2557 | 7030003860 | S.RES ERJ3GE JPW V | T | 40.2/87.0 |
| R2590 | 7030003240 | S.RES ERJ3GEYJ 220 V (22) | T | 93.2/96.7 |
| R2591 | 7030003240 | S.RES ERJ3GEYJ 220 V (22) | T | 93.2/95.5 |
| R2592 | 7030003400 | S.RES ERJ3GEYJ 471 V (470) | T | 93.2/93.0 |
| R2593 | 7030003400 | S.RES ERJ3GEYJ 471 V (470) | T | 95.8/95.5 |
| R2594 | 7030003340 | S.RES ERJ3GEYJ 151 V (150) | T | 54.4/88.1 |
| R2595 | 7030003400 | S.RES ERJ3GEYJ 471 V (470) | T | 54.6/97.5 |
| R2596 | 7030003330 | S.RES ERJ3GEYJ 121 V (120) | T | 54.4/86.9 |
| R2597 | 7030003340 | S.RES ERJ3GEYJ 151 V (150) | T | 68.5/91.5 |
| R2598 | 7030003400 | S.RES ERJ3GEYJ 471 V (470) | T | 68.7/96.4 |
| R2599 | 7030003330 | S.RES ERJ3GEYJ 121 V (120) | T | 67.8/89.6 |
| R2701 | 7030003440 | S.RES ERJ3GEYJ 102 V (1 k) | T | 99.5/83.9 |
| R2702 | 7030003440 | S.RES ERJ3GEYJ 102 V (1 k) | T | 98.0/82.6 |
| R2703 | 7030003440 | S.RES ERJ3GEYJ 102 V (1 k) | T | 98.0/81.4 |
| R2711 | 7030003390 | S.RES ERJ3GEYJ 391 V (390) | T | 109.7/89.8 |
| R2715 | 7030003390 | S.RES ERJ3GEYJ 391 V (390) | T | 145.0/96.3 |
| R2801 | 7030003390 | S.RES ERJ3GEYJ 391 V (390) | T | 115.4/94.0 |
| R2802 | 7030003260 | S.RES ERJ3GEYJ 330 V (33) | T | 135.9/97.2 |
| R2803 | 7030003340 | S.RES ERJ3GEYJ 151 V (150) | T | 135.9/94.8 |
| R2804 | 7030003340 | S.RES ERJ3GEYJ 151 V (150) | T | 137.0/96.0 |
| R2805 | 7030003390 | S.RES ERJ3GEYJ 391 V (390) | T | 140.1/92.6 |
| R2806 | 7030003680 | S.RES ERJ3GEYJ 104 V (100 k) | T | 141.8/93.9 |
| R2851 | 7030003390 | S.RES ERJ3GEYJ 391 V (390) | T | 115.5/88.9 |
| R2852 | 7030003240 | S.RES ERJ3GEYJ 220 V (22) | T | 135.9/90.4 |
| R2853 | 7030003400 | S.RES ERJ3GEYJ 471 V (470) | T | 134.4/89.2 |
| R2854 | 7030003400 | S.RES ERJ3GEYJ 471 V (470) | T | 137.0/89.2 |
| R2855 | 7030003390 | S.RES ERJ3GEYJ 391 V (390) | T | 140.3/85.8 |
| R2856 | 7030003680 | S.RES ERJ3GEYJ 104 V (100 k) | T | 141.8/87.0 |
| R2857 | 7030003240 | S.RES ERJ3GEYJ 220 V (22) | T | 135.9/91.6 |
| R2901 | 7030003390 | S.RES ERJ3GEYJ 391 V (390) | T | 115.5/82.2 |
| R2902 | 7030003260 | S.RES ERJ3GEYJ 330 V (33) | T | 135.9/83.6 |
| R2903 | 7030003340 | S.RES ERJ3GEYJ 151 V (150) | T | 135.9/81.2 |
| R2904 | 7030003340 | S.RES ERJ3GEYJ 151 V (150) | T | 137.0/82.4 |
| R2905 | 7030003390 | S.RES ERJ3GEYJ 391 V (390) | T | 140.0/79.1 |
| R2906 | 7030003680 | S.RES ERJ3GEYJ 104 V (100 k) | T | 141.8/80.3 |
| R2950 | 7030003260 | S.RES ERJ3GEYJ 330 V (33) | T | 135.3/77.6 |
| R2951 | 7030003390 | S.RES ERJ3GEYJ 391 V (390) | T | 115.5/75.4 |
| R2952 | 7030003260 | S.RES ERJ3GEYJ 330 V (33) | T | 136.8/77.6 |
| R2953 | 7030003320 | S.RES ERJ3GEYJ 101 V (100) | T | 135.9/74.4 |
| R2954 | 7030003320 | S.RES ERJ3GEYJ 101 V (100) | T | 137.0/75.6 |
| R2955 | 7030003390 | S.RES ERJ3GEYJ 391 V (390) | T | 140.2/72.2 |
| R2956 | 7030003680 | S.RES ERJ3GEYJ 104 V (100 k) | T | 141.7/73.4 |
| R2957 | 7030003440 | S.RES ERJ3GEYJ 102 V (1 k) | T | 17.5/37.0 |
| R2958 | 7030003440 | S.RES ERJ3GEYJ 102 V (1 k) | T | 28.1/39.9 |
| R2959 | 7030003440 | S.RES ERJ3GEYJ 102 V (1 k) | T | 20.4/37.3 |
| R2960 | 7030003320 | S.RES ERJ3GEYJ 101 V (100) | T | 20.4/38.5 |
| R2961 | 7030003320 | S.RES ERJ3GEYJ 101 V (100) | T | 20.4/39.7 |
| R2962 | 7030003440 | S.RES ERJ3GEYJ 102 V (1 k) | T | 20.4/40.9 |
| R2963 | 7030003440 | S.RES ERJ3GEYJ 102 V (1 k) | T | 20.4/42.1 |
| R2994 | 7030003320 | S.RES ERJ3GEYJ 101 V (100) | T | 152.5/6.3 |
| R2995 | 7030003320 | S.RES ERJ3GEYJ 101 V (100) | T | 152.1/5.1 |
| R2996 | 7030003320 | S.RES ERJ3GEYJ 101 V (100) | T | 151.7/3.9 |
| R2997 | 7030003320 | S.RES ERJ3GEYJ 101 V (100) | T | 151.3/2.7 |
| R3000 | 7030003680 | S.RES ERJ3GEYJ 104 V (100 k) | T | 135.6/53.3 |
| R3001 | 7030003680 | S.RES ERJ3GEYJ 104 V (100 k) | T | 137.8/45.3 |
| R3012 | 7030003360 | S.RES ERJ3GEYJ 221 V (220) | T | 177.2/2.8 |
| R3013 | 7030003360 | S.RES ERJ3GEYJ 221 V (220) | T | 175.9/13.7 |
| R3014 | 7030003360 | S.RES ERJ3GEYJ 221 V (220) | T | 185.9/4.7 |
| R3015 | 7030003360 | S.RES ERJ3GEYJ 221 V (220) | T | 182.1/12.4 |
| R3016 | 7030003360 | S.RES ERJ3GEYJ 221 V (220) | T | 186.5/10.8 |
| R3018 | 7030003860 | S.RES ERJ3GE JPW V | T | 2.8/75.5 |
| R3201 | 7030003600 | S.RES ERJ3GEYJ 223 V (22 k) | T | 171.8/62.8 |
| R3202 | 7030003600 | S.RES ERJ3GEYJ 223 V (22 k) | T | 171.8/61.6 |
| R3203 | 7030003400 | S.RES ERJ3GEYJ 471 V (470) | T | 173.4/57.8 |
| R3204 | 7030003680 | S.RES ERJ3GEYJ 104 V (100 k) | T | 172.9/60.2 |
| R3205 | 7030003560 | S.RES ERJ3GEYJ 103 V (10 k) | T | 170.7/57.8 |
| R3206 | 7030003680 | S.RES ERJ3GEYJ 104 V (100 k) | T | 171.8/55.4 |
| R3207 | 7030003800 | S.RES ERJ3GEYJ 105 V (1 M) | T | 178.8/54.3 |
| R3208 | 7030005691 | S.RES ERA3YED 123V (12 k) | T | 182.4/55.2 |
| R3209 | 7030003240 | S.RES ERJ3GEYJ 220 V (22) | T | 183.9/41.0 |
| R3210 | 7030003240 | S.RES ERJ3GEYJ 220 V (22) | T | 183.9/42.2 |
| R3211 | 7030003640 | S.RES ERJ3GEYJ 473 V (47 k) | T | 188.1/57.2 |
| R3212 | 7030003680 | S.RES ERJ3GEYJ 104 V (100 k) | T | 181.5/63.7 |
| R3213 | 7030003680 | S.RES ERJ3GEYJ 104 V (100 k) | T | 180.9/64.9 |
| R3214 | 7030003460 | S.RES ERJ3GEYJ 152 V (1.5 k) | T | 183.9/43.5 |
| R3215 | 7030003800 | S.RES ERJ3GEYJ 105 V (1 M) | T | 183.9/39.8 |
| R3216 | 7030003800 | S.RES ERJ3GEYJ 105 V (1 M) | T | 176.6/34.4 |
| R3217 | 7030003520 | S.RES ERJ3GEYJ 472 V (4.7 k) | T | 179.7/73.3 |
| R3218 | 7030003560 | S.RES ERJ3GEYJ 103 V (10 k) | T | 177.0/73.3 |
| R3219 | 7030003590 | S.RES ERJ3GEYJ 183 V (18 k) | T | 164.3/73.0 |
| R3220 | 7030003560 | S.RES ERJ3GEYJ 103 V (10 k) | T | 166.9/73.0 |
| R3221 | 7030003640 | S.RES ERJ3GEYJ 473 V (47 k) | T | 166.1/68.8 |
| R3222 | 7030003590 | S.RES ERJ3GEYJ 183 V (18 k) | T | 166.9/70.9 |
| R3223 | 7030003680 | S.RES ERJ3GEYJ 104 V (100 k) | T | 173.2/74.0 |
| R3224 | 7030003680 | S.RES ERJ3GEYJ 104 V (100 k) | T | 172.3/67.2 |
| R3225 | 7030003860 | S.RES ERJ3GE JPW V | T | 189.5/38.9 |
| R3226 | 7030003860 | S.RES ERJ3GE JPW V | T | 185.3/46.4 |
| R3227 | 7030003400 | S.RES ERJ3GEYJ 471 V (470) | T | 83.6/37.5 |
| R3229 | 7030003440 | S.RES ERJ3GEYJ 102 V (1 k) | T | 16.2/8.7 |
| R3230 | 7030003440 | S.RES ERJ3GEYJ 102 V (1 k) | T | 15.1/10.2 |
| R3231 | 7030003440 | S.RES ERJ3GEYJ 102 V (1 k) | T | 15.1/11.7 |
| R3232 | 7030003440 | S.RES ERJ3GEYJ 102 V (1 k) | T | 15.1/13.3 |
| R3233 | 7030003440 | S.RES ERJ3GEYJ 102 V (1 k) | T | 17.7/16.0 |
| R3234 | 7030003280 | S.RES ERJ3GEYJ 470 V (47 k) | T | 117.7/49.3 |
| R3235 | 7030003640 | S.RES ERJ3GEYJ 473 V (47 k) | T | 163.5/68.8 |
| R3236 | 7030003860 | S.RES ERJ3GE JPW V | T | 166.8/65.7 |
| R3237 | 7030003860 | S.RES ERJ3GE JPW V | T | 162.7/62.6 |

[MAIN UNIT]

| REF NO. | PART NO. | DESCRIPTION | M. | H/V LOCATION |
|---------|------------|--------------------------|----|--------------|
| R3242 | 7030010570 | S.RES ERJ1TYJ 4R7U (4.7) | T | 8.7/95.8 |
| R3243 | 7030010570 | S.RES ERJ1TYJ 4R7U (4.7) | T | 16.1/95.8 |
| R3244 | 7030010570 | S.RES ERJ1TYJ 4R7U (4.7) | T | 12.4/95.8 |
| R3248 | 7030003860 | S.RES ERJ3GE JPW V | T | 167.8/59.1 |
| R3249 | 7030003860 | S.RES ERJ3GE JPW V | T | 177.7/75.2 |
| R3250 | 7030003860 | S.RES ERJ3GE JPW V | T | 175.5/75.1 |
| R3251 | 7030003860 | S.RES ERJ3GE JPW V | T | 174.7/67.1 |
| R3253 | 7030003860 | S.RES ERJ3GE JPW V | T | 165.5/63.1 |
| R3254 | 7030003860 | S.RES ERJ3GE JPW V | T | 161.6/69.6 |
| C1 | 4030006880 | S.CER C1608 JB 1H 472K-T | T | 173.7/24.2 |
| C2 | 4030006880 | S.CER C1608 JB 1H 472K-T | T | 179.3/27.2 |
| C6 | 4030007090 | S.CER C1608 CH 1H 470J-T | T | 19.3/30.4 |
| C9 | 4030007090 | S.CER C1608 CH 1H 470J-T | T | 16.9/19.6 |
| C10 | 4030007090 | S.CER C1608 CH 1H 470J-T | T | 19.3/29.2 |
| C11 | 4030007090 | S.CER C1608 CH 1H 470J-T | T | 19.3/31.6 |
| C12 | 4030007090 | S.CER C1608 CH 1H 470J-T | T | 19.7/34.0 |
| C14 | 4030007090 | S.CER C1608 CH 1H 470J-T | T | 17.1/34.6 |
| C16 | 4030006860 | S.CER C1608 JB 1H 102K-T | T | 17.4/3.2 |
| C17 | 4030011600 | S.CER C1608 JB 1E 104K-T | T | 193.0/33.8 |
| C18 | 4030006860 | S.CER C1608 JB 1H 102K-T | T | 120.1/17.6 |
| C19 | 4030006860 | S.CER C1608 JB 1H 102K-T | T | 113.6/19.4 |
| C21 | 4030006880 | S.CER C1608 JB 1H 472K-T | T | 7.4/33.1 |
| C22 | 4030006860 | S.CER C1608 JB 1H 102K-T | T | 61.0/44.6 |
| C23 | 4030006860 | S.CER C1608 JB 1H 102K-T | T | 125.6/19.4 |
| C24 | 4030006880 | S.CER C1608 JB 1H 472K-T | T | 4.8/39.0 |
| C25 | 4030006860 | S.CER C1608 JB 1H 102K-T | T | 20.9/4.9 |
| C26 | 4030006880 | S.CER C1608 JB 1H 472K-T | T | 7.4/37.1 |
| C27 | 4030006880 | S.CER C1608 JB 1H 472K-T | T | 7.4/34.3 |
| C28 | 4030006880 | S.CER C1608 JB 1H 472K-T | T | 18.3/25.6 |
| C29 | 4030006880 | S.CER C1608 JB 1H 472K-T | T | 4.8/37.8 |
| C30 | 4030006880 | S.CER C1608 JB 1H 472K-T | T | 18.3/26.8 |
| C31 | 4030011600 | S.CER C1608 JB 1E 104K-T | T | 166.3/30.5 |
| C32 | 4030011340 | S.CER C1608 CH 1H 471J-T | T | 3.2/31.4 |
| C33 | 4030006880 | S.CER C1608 JB 1H 472K-T | T | 5.9/16.2 |
| C34 | 4030006880 | S.CER C1608 JB 1H 472K-T | T | 7.4/42.1 |
| C35 | 4030006880 | S.CER C1608 JB 1H 472K-T | T | 8.7/44.5 |
| C36 | 4030006880 | S.CER C1608 JB 1H 472K-T | T | 17.7/6.8 |
| C37 | 4030011600 | S.CER C1608 JB 1E 104K-T | T | 5.0/26.0 |
| C38 | 4030006880 | S.CER C1608 JB 1H 102K-T | T | 18.8/8.0 |
| C39 | 4030006860 | S.CER C1608 JB 1H 102K-T | T | 7.4/35.7 |
| C40 | 4030011340 | S.CER C1608 CH 1H 471J-T | T | 5.9/19.0 |
| C41 | 4030006880 | S.CER C1608 JB 1H 472K-T | T | 7.4/40.7 |
| C42 | 4030006880 | S.CER C1608 JB 1H 472K-T | T | 9.8/45.7 |
| C43 | 4030011600 | S.CER C1608 JB 1E 104K-T | T | 4.8/22.8 |
| C44 | 4030011600 | S.CER C1608 JB 1E 104K-T | T | 138.6/24.3 |
| C45 | 4030007090 | S.CER C1608 CH 1H 470J-T | T | 138.6/29.1 |
| C46 | 4030009990 | S.CER C1608 CH 1H 200J-T | T | 141.2/24.3 |
| C47 | 4030011600 | S.CER C1608 JB 1E 104K-T | T | 101.0/75.0 |
| C48 | 4030011600 | S.CER C1608 JB 1E 104K-T | T | 4.8/27.6 |
| C49 | 4030011600 | S.CER C1608 JB 1E 104K-T | T | 4.5/29.7 |
| C50 | 4030007120 | S.CER C1608 CH 1H 820J-T | T | 144.3/20.9 |
| C51 | 4030007110 | S.CER C1608 CH 1H 680J-T | T | 146.9/21.6 |
| C52 | 4030007070 | S.CER C1608 CH 1H 330J-T | T | 146.9/23.1 |
| C53 | 4030006860 | S.CER C1608 JB 1H 102K-T | T | 180.8/78.0 |
| C56 | 4030011600 | S.CER C1608 JB 1E 104K-T | T | 4.5/31.4 |
| C57 | 4030011600 | S.CER C1608 JB 1E 104K-T | T | 169.5/75.2 |
| C59 | 4030007130 | S.CER C1608 CH 1H 101J-T | T | 170.6/74.0 |
| C60 | 4030007090 | S.CER C1608 CH 1H 470J-T | T | 17.5/20.8 |
| C61 | 4030011600 | S.CER C1608 JB 1E 104K-T | T | 6.1/43.3 |
| C62 | 4510009820 | S.ELE EEEFK1C470P | T | 5.3/49.3 |
| C63 | 4030006880 | S.CER C1608 JB 1H 472K-T | T | 164.8/21.3 |
| C64 | 4030011600 | S.CER C1608 JB 1E 104K-T | T | 100.8/20.1 |
| C65 | 4030011600 | S.CER C1608 JB 1E 104K-T | T | 52.0/72.1 |
| C66 | 4030007130 | S.CER C1608 CH 1H 101J-T | T | 127.5/25.0 |
| C67 | 4030018620 | S.CER C1608 CH 1H 222J-T | T | 186.9/32.9 |
| C68 | 4030011600 | S.CER C1608 JB 1E 104K-T | T | 98.6/26.3 |
| C69 | 4030007130 | S.CER C1608 CH 1H 101J-T | T | 98.9/15.8 |
| C71 | 4030007090 | S.CER C1608 CH 1H 470J-T | T | 151.2/72.8 |
| C81 | 4030006880 | S.CER C1608 JB 1H 472K-T | T | 155.7/68.0 |
| C501 | 4030007100 | S.CER C1608 CH 1H 560J-T | T | 157.3/73.6 |
| C502 | 4030006880 | S.CER C1608 JB 1H 472K-T | T | 160.5/75.1 |
| C503 | 4030011600 | S.CER C1608 JB 1E 104K-T | T | 160.5/73.9 |
| C504 | | | | |

[MAIN UNIT]

| REF NO. | PART NO. | DESCRIPTION | M. | H/V LOCATION |
|---------|------------|--------------------------|----|--------------|
| C539 | 4030011600 | S.CER C1608 JB 1E 104K-T | T | 145.2/43.1 |
| C540 | 4030006860 | S.CER C1608 JB 1H 102K-T | T | 142.1/40.8 |
| C541 | 4030006880 | S.CER C1608 JB 1H 472K-T | T | 159.5/63.8 |
| C542 | 4030006980 | S.CER C1608 CH 1H 070D-T | T | 137.9/61.4 |
| C543 | 4030009520 | S.CER C1608 CH 1H 020B-T | T | 134.9/65.3 |
| C544 | 4030009520 | S.CER C1608 CH 1H 020B-T | T | 145.1/64.5 |
| C545 | 4030006880 | S.CER C1608 JB 1H 472K-T | T | 124.7/65.7 |
| C546 | 4030011600 | S.CER C1608 JB 1E 104K-T | T | 140.9/40.8 |
| C547 | 4030007100 | S.CER C1608 CH 1H 560J-T | T | 147.8/41.9 |
| C548 | 4030011600 | S.CER C1608 JB 1E 104K-T | T | 143.4/27.5 |
| C549 | 4030007100 | S.CER C1608 CH 1H 560J-T | T | 147.8/43.1 |
| C550 | 4030011600 | S.CER C1608 JB 1E 104K-T | T | 138.8/38.9 |
| C551 | 4030006880 | S.CER C1608 JB 1H 472K-T | T | 119.9/61.9 |
| C552 | 4030006880 | S.CER C1608 JB 1H 472K-T | T | 125.2/49.8 |
| C553 | 4030006880 | S.CER C1608 JB 1H 472K-T | T | 133.2/58.1 |
| C554 | 4030006860 | S.CER C1608 JB 1H 102K-T | T | 131.3/48.5 |
| C555 | 4030006880 | S.CER C1608 JB 1H 472K-T | T | 137.3/50.7 |
| C556 | 4030008360 | S.CER C1608 UJ 1H 101J-T | T | 135.2/44.8 |
| C557 | 4030006880 | S.CER C1608 JB 1H 472K-T | T | 131.1/47.3 |
| C558 | 4030006880 | S.CER C1608 JB 1H 472K-T | T | 124.8/38.3 |
| C559 | 4030008360 | S.CER C1608 UJ 1H 101J-T | T | 133.0/53.3 |
| C560 | 4030006880 | S.CER C1608 JB 1H 472K-T | T | 124.8/42.2 |
| C565 | 4030011600 | S.CER C1608 JB 1E 104K-T | T | 148.9/30.2 |
| C566 | 4030011600 | S.CER C1608 JB 1E 104K-T | T | 148.9/27.6 |
| C567 | 4030006880 | S.CER C1608 JB 1H 472K-T | T | 169.4/48.6 |
| C572 | 4030011600 | S.CER C1608 JB 1E 104K-T | T | 120.3/43.1 |
| C574 | 4030006880 | S.CER C1608 JB 1H 472K-T | T | 118.0/57.2 |
| C575 | 4030011600 | S.CER C1608 JB 1E 104K-T | T | 94.4/45.1 |
| C576 | 4030011600 | S.CER C1608 JB 1E 104K-T | T | 128.3/35.6 |
| C577 | 4030011600 | S.CER C1608 JB 1E 104K-T | T | 84.3/38.7 |
| C578 | 4030011600 | S.CER C1608 JB 1E 104K-T | T | 111.9/32.3 |
| C581 | 4030007090 | S.CER C1608 CH 1H 470J-T | T | 118.8/28.8 |
| C583 | 4030011600 | S.CER C1608 JB 1E 104K-T | T | 124.7/37.0 |
| C584 | 4510009820 | S.ELE EEEFK1C470P | T | 128.6/30.0 |
| C585 | 4030011600 | S.CER C1608 JB 1E 104K-T | T | 122.3/28.8 |
| C586 | 4030006880 | S.CER C1608 JB 1H 472K-T | T | 118.6/23.1 |
| C587 | 4030006880 | S.CER C1608 JB 1H 472K-T | T | 112.6/27.8 |
| C588 | 4030011600 | S.CER C1608 JB 1E 104K-T | T | 115.2/27.8 |
| C589 | 4030011600 | S.CER C1608 JB 1E 104K-T | T | 113.6/34.7 |
| C590 | 4030011600 | S.CER C1608 JB 1E 104K-T | T | 57.8/44.6 |
| C591 | 4030011600 | S.CER C1608 JB 1E 104K-T | T | 108.2/38.5 |
| C594 | 4030011600 | S.CER C1608 JB 1E 104K-T | T | 72.4/41.8 |
| C595 | 4030019490 | S.CER C2012 JB 1A 106K-T | T | 75.6/41.2 |
| C596 | 4030006880 | S.CER C1608 JB 1H 472K-T | T | 81.7/48.0 |
| C597 | 4030017490 | S.CER C1608 JB 1A 105K-T | T | 76.5/45.4 |
| C598 | 4030011600 | S.CER C1608 JB 1E 104K-T | T | 79.1/45.4 |
| C599 | 4030006880 | S.CER C1608 JB 1H 472K-T | T | 75.0/43.4 |
| C600 | 4030006880 | S.CER C1608 JB 1H 472K-T | T | 72.4/43.4 |
| C601 | 4030011600 | S.CER C1608 JB 1E 104K-T | T | 107.7/30.2 |
| C602 | 4030011600 | S.CER C1608 JB 1E 104K-T | T | 96.7/35.7 |
| C603 | 4030007060 | S.CER C1608 CH 1H 270J-T | T | 166.9/57.5 |
| C604 | 4030007040 | S.CER C1608 CH 1H 180J-T | T | 166.9/56.3 |
| C605 | 4030007090 | S.CER C1608 CH 1H 470J-T | T | 168.9/52.5 |
| C607 | 4030007050 | S.CER C1608 CH 1H 220J-T | T | 166.2/48.7 |
| C618 | 4030011600 | S.CER C1608 JB 1E 104K-T | T | 93.3/32.2 |
| C619 | 4030011600 | S.CER C1608 JB 1E 104K-T | T | 90.2/34.5 |
| C620 | 4030011600 | S.CER C1608 JB 1E 104K-T | T | 89.9/27.4 |
| C621 | 4030011600 | S.CER C1608 JB 1E 104K-T | T | 84.7/35.6 |
| C622 | 4030011600 | S.CER C1608 JB 1E 104K-T | T | 84.8/32.1 |
| C623 | 4030019460 | S.CER C1608 JB 0J 106M-T | T | 87.3/28.5 |
| C651 | 4030006880 | S.CER C1608 JB 1H 472K-T | T | 160.3/53.5 |
| C652 | 4030011600 | S.CER C1608 JB 1E 104K-T | T | 88.3/44.4 |
| C653 | 4030006860 | S.CER C1608 JB 1H 102K-T | T | 88.3/48.0 |
| C654 | 4030007140 | S.CER C1608 CH 1H 121J-T | T | 88.3/50.0 |
| C655 | 4030011600 | S.CER C1608 JB 1E 104K-T | T | 90.0/55.0 |
| C656 | 4030011600 | S.CER C1608 JB 1E 104K-T | T | 98.4/51.3 |
| C657 | 4030019090 | S.CER C2012 JB 1C 225M-T | T | 90.4/57.8 |
| C658 | 4030011600 | S.CER C1608 JB 1E 104K-T | T | 97.0/45.1 |
| C659 | 4030007140 | S.CER C1608 CH 1H 121J-T | T | 98.5/46.3 |
| C660 | 4030011600 | S.CER C1608 JB 1E 104K-T | T | 95.5/41.5 |
| C661 | 4030006860 | S.CER C1608 JB 1H 102K-T | T | 101.3/40.8 |
| C662 | 4030011600 | S.CER C1608 JB 1E 104K-T | T | 97.9/39.1 |
| C663 | 4030011600 | S.CER C1608 JB 1E 104K-T | T | 92.4/46.8 |
| C664 | 4030011600 | S.CER C1608 JB 1E 104K-T | T | 83.3/41.0 |
| C665 | 4030011600 | S.CER C1608 JB 1E 104K-T | T | 127.7/23.1 |
| C666 | 4030011600 | S.CER C1608 JB 1E 104K-T | T | 101.7/22.2 |
| C667 | 4030011600 | S.CER C1608 JB 1E 104K-T | T | 70.2/27.4 |
| C669 | 4030006900 | S.CER C1608 JB 1H 103K-T | T | 73.3/32.4 |
| C670 | 4030009880 | S.CER C1608 JB 1H 682K-T | T | 73.3/31.2 |
| C671 | 4030006900 | S.CER C1608 JB 1H 103K-T | T | 72.7/33.6 |
| C672 | 4030006860 | S.CER C1608 JB 1H 102K-T | T | 91.5/53.5 |
| C673 | 4030019460 | S.CER C1608 JB 0J 106M-T | T | 66.9/34.5 |
| C674 | 4030017490 | S.CER C1608 JB 1A 105K-T | T | 66.9/35.7 |
| C675 | 4030019460 | S.CER C1608 JB 0J 106M-T | T | 68.3/40.0 |
| C676 | 4030017490 | S.CER C1608 JB 1A 105K-T | T | 68.3/38.8 |
| C677 | 4030019460 | S.CER C1608 JB 0J 106M-T | T | 69.8/32.6 |
| C678 | 4030017490 | S.CER C1608 JB 1A 105K-T | T | 72.1/38.3 |
| C679 | 4030011600 | S.CER C1608 JB 1E 104K-T | T | 82.6/33.3 |
| C680 | 4030017490 | S.CER C1608 JB 1A 105K-T | T | 76.1/31.2 |
| C681 | 4030006900 | S.CER C1608 JB 1H 103K-T | T | 77.0/26.1 |
| C682 | 4030006880 | S.CER C1608 JB 1H 472K-T | T | 175.0/2.2 |
| C683 | 4030006880 | S.CER C1608 JB 1H 472K-T | T | 129.8/24.4 |
| C684 | 4030006860 | S.CER C1608 JB 1H 102K-T | T | 80.1/26.8 |
| C1021 | 4030019490 | S.CER C2012 JB 1A 106K-T | T | 61.5/47.3 |
| C1022 | 4030011600 | S.CER C1608 JB 1E 104K-T | T | 59.3/49.5 |
| C1023 | 4030017490 | S.CER C1608 JB 1A 105K-T | T | 63.6/46.9 |
| C1024 | 4030017490 | S.CER C1608 JB 1A 105K-T | T | 60.6/38.4 |
| C1025 | 4030019460 | S.CER C1608 JB 0J 106M-T | T | 54.5/51.1 |
| C1031 | 4030019460 | S.CER C1608 JB 0J 106M-T | T | 4.2/83.2 |
| C1032 | 4030019460 | S.CER C1608 JB 0J 106M-T | T | 8.6/74.6 |
| C1033 | 4030017490 | S.CER C1608 JB 1A 105K-T | T | 50.4/43.0 |
| C1034 | 4030011340 | S.CER C1608 CH 1H 471J-T | T | 51.6/40.6 |
| C1035 | 4030011600 | S.CER C1608 JB 1E 104K-T | T | 56.4/41.2 |
| C1036 | 4030019460 | S.CER C1608 JB 0J 106M-T | T | 165.8/97.3 |

[MAIN UNIT]

| REF NO. | PART NO. | DESCRIPTION | M. | H/V LOCATION |
|---------|------------|---------------------------|----|--------------|
| C1037 | 4030011600 | S.CER C1608 JB 1E 104K-T | T | 105.5/18.7 |
| C1038 | 4030019490 | S.CER C2012 JB 1C 225M-T | T | 108.0/16.0 |
| C1039 | 4030017490 | S.CER C1608 JB 1A 105K-T | T | 108.3/14.4 |
| C1040 | 4030019490 | S.CER C2012 JB 1A 106K-T | T | 103.9/20.5 |
| C1041 | 4030019460 | S.CER C1608 JB 0J 106M-T | T | 2.8/77.0 |
| C1043 | 4030019460 | S.CER C1608 JB 0J 106M-T | T | 53.5/43.0 |
| C1051 | 4030018620 | S.CER C1608 CH 1H 222J-T | T | 15.1/77.4 |
| C1053 | 4030011600 | S.CER C1608 JB 1E 104K-T | T | 21.2/80.6 |
| C1054 | 4030011600 | S.CER C1608 JB 1E 104K-T | T | 15.1/81.0 |
| C1055 | 4030007130 | S.CER C1608 CH 1H 101J-T | T | 45.2/74.7 |
| C1071 | 4030019460 | S.CER C1608 JB 0J 106M-T | T | 159.6/90.3 |
| C1072 | 4030019460 | S.CER C1608 JB 0J 106M-T | T | 9.5/82.0 |
| C1081 | 4030019460 | S.CER C1608 JB 0J 106M-T | T | 164.3/91.9 |
| C1082 | 4030011600 | S.CER C1608 JB 1E 104K-T | T | 165.8/96.1 |
| C1083 | 4030006860 | S.CER C1608 JB 1H 102K-T | T | 157.0/93.9 |
| C1085 | 4030011600 | S.CER C1608 JB 1E 104K-T | T | 2.8/78.2 |
| C1086 | 4030011600 | S.CER C1608 JB 1E 104K-T | T | 8.6/77.0 |
| C1087 | 4030019460 | S.CER C1608 JB 0J 106M-T | T | 2.8/73.8 |
| C1088 | 4030019460 | S.CER C1608 JB 0J 106M-T | T | 157.0/92.7 |
| C1089 | 4030008920 | S.CER C1608 JB 1H 473K-T | T | 166.9/100.1 |
| C1091 | 4030008920 | S.CER C1608 JB 1H 473K-T | T | 168.4/98.8 |
| C1092 | 4030017490 | S.CER C1608 JB 1A 105K-T | T | 171.0/100.1 |
| C1093 | 4030006900 | S.CER C1608 JB 1H 103K-T | T | 171.0/98.8 |
| C1094 | 4030011600 | S.CER C1608 JB 1E 104K-T | T | 176.5/96.0 |
| C1095 | 4510009250 | S.ELE EEEFK1C471P | T | 172.0/90.8 |
| C1096 | 4510009250 | S.ELE EEEFK1C471P | T | 189.6/91.8 |
| C1097 | 4030011600 | S.CER C1608 JB 1E 104K-T | T | 183.2/85.2 |
| C1098 | 4510009250 | S.ELE EEEFK1C471P | T | 180.8/90.8 |
| C1511 | 4030006880 | S.CER C1608 JB 1H 472K-T | T | 63.8/38.0 |
| C1512 | 4030006880 | S.CER C1608 JB 1H 472K-T | T | 63.8/35.0 |
| C1520 | 4030018970 | S.CER C3225 JB 1C 226MT-N | T | 25.9/74.1 |
| C1521 | 4030018970 | S.CER C3225 JB 1C 226MT-N | T | 25.9/77.1 |
| C1522 | 4030011600 | S.CER C1608 JB 1E 104K-T | T | 26.7/79.3 |
| C1523 | 4030011600 | S.CER C1608 JB 1E 104K-T | T | 30.2/73.9 |
| C1524 | 4030018970 | S.CER C3225 JB 1C 226MT-N | T | 30.4/77.1 |
| C1531 | 4030006880 | S.CER C1608 JB 1H 472K-T | T | 49.1/41.7 |
| C1532 | 4030007130 | S.CER C1608 CH 1H 101J-T | T | 43.3/42.8 |
| C1533 | 4030007130 | S.CER C1608 CH 1H 101J-T | T | 47.4/42.9 |
| C1534 | 4030007130 | S.CER C1608 CH 1H 101J-T | T | 47.2/34.4 |
| C1553 | 4030011600 | S.CER C1608 JB 1E 104K-T | T | 65.7/12.7 |
| C1554 | 4030011600 | S.CER C1608 JB 1E 104K-T | T | 66.2/20.8 |
| C1555 | 4030011600 | S.CER C1608 JB 1E 104K-T | T | 66.2/26.3 |
| C1556 | 4030011600 | S.CER C1608 JB 1E 104K-T | T | 48.6/34.0 |
| C1557 | 4030011600 | S.CER C1608 JB 1E 104K-T | T | 34.2/26.7 |
| C1558 | 4030011600 | S.CER C1608 JB 1E 104K-T | T | 35.0/18.5 |
| C1559 | 4030011600 | S.CER C1608 JB 1E 104K-T | T | 35.9/11.6 |
| C1560 | 4030011600 | S.CER C1608 JB 1E 104K-T | T | 50.3/3.6 |
| C1561 | 4030011600 | S.CER C1608 JB 1E 104K-T | T | 67.0/13.1 |
| C1562 | 4030011600 | S.CER C1608 JB 1E 104K-T | T | 65.4/7.3 |
| C1563 | 4030011600 | S.CER C1608 JB 1E 104K-T | T | 54.3/3.9 |
| C1564 | 4030011600 | S.CER C1608 JB 1E 104K-T | T | 48.8/3.6 |
| C1565 | 4030011600 | S.CER C1608 JB 1E 104K-T | T | 40.5/3.2 |
| C1566 | 4030011600 | S.CER C1608 JB 1E 104K-T | T | 35.0/15.9 |
| C156 | | | | |

[MAIN UNIT]

| REF NO. | PART NO. | DESCRIPTION | M. | H/V LOCATION |
|---------|------------|--------------------------|----|--------------|
| C1706 | 4030007170 | S.CER C1608 CH 1H 221J-T | T | 8.7/67.2 |
| C1707 | 4030007170 | S.CER C1608 CH 1H 221J-T | T | 12.7/68.4 |
| C1708 | 4030007170 | S.CER C1608 CH 1H 221J-T | T | 15.6/67.2 |
| C1709 | 4030017490 | S.CER C1608 JB 1A 105K-T | T | 9.8/73.4 |
| C1710 | 4030017490 | S.CER C1608 JB 1A 105K-T | T | 17.2/71.6 |
| C1711 | 4030011600 | S.CER C1608 JB 1E 104K-T | T | 8.7/68.4 |
| C1712 | 4030019490 | S.CER C2012 JB 1A 106K-T | T | 12.7/73.7 |
| C2011 | 4030007070 | S.CER C1608 CH 1H 330J-T | T | 59.8/78.2 |
| C2012 | 4030006880 | S.CER C1608 JB 1H 472K-T | T | 70.3/82.1 |
| C2013 | 4030006860 | S.CER C1608 JB 1H 102K-T | T | 68.8/78.3 |
| C2014 | 4030006880 | S.CER C1608 JB 1H 472K-T | T | 74.9/77.7 |
| C2015 | 4030006880 | S.CER C1608 JB 1H 472K-T | T | 64.2/76.9 |
| C2016 | 4030006880 | S.CER C1608 JB 1H 472K-T | T | 64.3/83.8 |
| C2017 | 4030006860 | S.CER C1608 JB 1H 102K-T | T | 63.3/82.5 |
| C2021 | 4030006880 | S.CER C1608 JB 1H 472K-T | T | 62.9/61.2 |
| C2022 | 4030007100 | S.CER C1608 CH 1H 560J-T | T | 60.3/61.2 |
| C2023 | 4030007060 | S.CER C1608 CH 1H 270J-T | T | 61.4/60.0 |
| C2024 | 4030007140 | S.CER C1608 CH 1H 121J-T | T | 58.8/60.0 |
| C2025 | 4030007100 | S.CER C1608 CH 1H 560J-T | T | 63.0/56.2 |
| C2026 | 4030007110 | S.CER C1608 CH 1H 680J-T | T | 60.4/56.2 |
| C2040 | 4030007060 | S.CER C1608 CH 1H 270J-T | T | 72.0/71.6 |
| C2041 | 4030006880 | S.CER C1608 JB 1H 472K-T | T | 75.9/70.4 |
| C2042 | 4030011600 | S.CER C1608 JB 1E 104K-T | T | 72.8/67.8 |
| C2043 | 4030006880 | S.CER C1608 JB 1H 472K-T | T | 72.1/66.6 |
| C2044 | 4030011600 | S.CER C1608 JB 1E 104K-T | T | 72.6/53.8 |
| C2045 | 4030019490 | S.CER C2012 JB 1A 106K-T | T | 70.6/53.3 |
| C2046 | 4030006880 | S.CER C1608 JB 1H 472K-T | T | 72.6/55.0 |
| C2047 | 4030011600 | S.CER C1608 JB 1E 104K-T | T | 75.2/55.0 |
| C2048 | 4030019490 | S.CER C2012 JB 1A 106K-T | T | 75.6/53.5 |
| C2049 | 4030011600 | S.CER C1608 JB 1E 104K-T | T | 71.6/60.7 |
| C2050 | 4030009880 | S.CER C1608 JB 1H 682K-T | T | 71.6/59.5 |
| C2051 | 4030009910 | S.CER C1608 CH 1H 040B-T | T | 70.1/58.3 |
| C2052 | 4030009880 | S.CER C1608 JB 1H 682K-T | T | 69.0/57.1 |
| C2053 | 4030007090 | S.CER C1608 CH 1H 470J-T | T | 59.0/41.9 |
| C2054 | 4030018620 | S.CER C1608 CH 1H 222J-T | T | 69.0/55.9 |
| C2055 | 4030006880 | S.CER C1608 JB 1H 472K-T | T | 65.8/53.6 |
| C2061 | 4030006990 | S.CER C1608 CH 1H 080D-T | T | 63.0/69.3 |
| C2070 | 4030006980 | S.CER C1608 CH 1H 070D-T | T | 86.1/77.5 |
| C2071 | 4030007070 | S.CER C1608 CH 1H 330J-T | T | 79.0/81.3 |
| C2072 | 4030010760 | S.CER C1608 CH 1H 331J-T | T | 80.6/80.1 |
| C2073 | 4030007070 | S.CER C1608 CH 1H 330J-T | T | 81.6/81.3 |
| C2074 | 4030010760 | S.CER C1608 CH 1H 331J-T | T | 83.4/80.1 |
| C2075 | 4030007090 | S.CER C1608 CH 1H 470J-T | T | 84.2/81.3 |
| C2076 | 4030007110 | S.CER C1608 CH 1H 680J-T | T | 86.1/76.3 |
| C2077 | 4030007040 | S.CER C1608 CH 1H 180J-T | T | 87.6/81.3 |
| C2078 | 4030007150 | S.CER C1608 CH 1H 151J-T | T | 87.6/75.1 |
| C2079 | 4030011770 | S.CER C1608 CH 1H 060B-T | T | 85.8/72.8 |
| C2080 | 4030007150 | S.CER C1608 CH 1H 151J-T | T | 83.2/73.4 |
| C2081 | 4030011770 | S.CER C1608 CH 1H 060B-T | T | 87.3/68.1 |
| C2082 | 4030007120 | S.CER C1608 CH 1H 820J-T | T | 83.9/71.7 |
| C2083 | 4030011770 | S.CER C1608 CH 1H 060B-T | T | 85.8/74.0 |
| C2091 | 4030006860 | S.CER C1608 JB 1H 102K-T | T | 83.2/66.9 |
| C2092 | 4030006860 | S.CER C1608 JB 1H 102K-T | T | 80.2/68.1 |
| C2093 | 4030006860 | S.CER C1608 JB 1H 102K-T | T | 80.0/64.3 |
| C2101 | 4030007080 | S.CER C1608 CH 1H 390J-T | T | 92.0/61.5 |
| C2102 | 4030009530 | S.CER C1608 CH 1H 030B-T | T | 94.6/62.1 |
| C2103 | 4030007110 | S.CER C1608 CH 1H 680J-T | T | 93.4/60.3 |
| C2104 | 4030006980 | S.CER C1608 CH 1H 070D-T | T | 96.1/60.9 |
| C2105 | 4030007030 | S.CER C1608 CH 1H 150J-T | T | 96.1/59.7 |
| C2131 | 4030011770 | S.CER C1608 CH 1H 060B-T | T | 50.2/64.1 |
| C2132 | 4030007150 | S.CER C1608 CH 1H 151J-T | T | 50.2/65.4 |
| C2133 | 4030009910 | S.CER C1608 CH 1H 040B-T | T | 47.6/64.1 |
| C2134 | 4030007120 | S.CER C1608 CH 1H 820J-T | T | 47.6/65.4 |
| C2135 | 4030009920 | S.CER C1608 CH 1H 050B-T | T | 45.0/64.1 |
| C2136 | 4030007080 | S.CER C1608 CH 1H 390J-T | T | 45.0/65.4 |
| C2137 | 4030006980 | S.CER C1608 CH 1H 070D-T | T | 43.5/66.6 |
| C2138 | 4030007050 | S.CER C1608 CH 1H 220J-T | T | 43.5/68.0 |
| C2139 | 4030009530 | S.CER C1608 CH 1H 030B-T | T | 38.6/66.2 |
| C2140 | 4030007070 | S.CER C1608 CH 1H 330J-T | T | 41.1/70.0 |
| C2141 | 4030009510 | S.CER C1608 CH 1H 010B-T | T | 38.5/70.0 |
| C2142 | 4030007080 | S.CER C1608 CH 1H 390J-T | T | 40.0/71.2 |
| C2143 | 4030009500 | S.CER C1608 CH 1H 0R5B-T | T | 40.0/72.5 |
| C2144 | 4030007040 | S.CER C1608 CH 1H 180J-T | T | 42.6/71.2 |
| C2145 | 4030011770 | S.CER C1608 CH 1H 060B-T | T | 42.6/72.5 |
| C2151 | 4030006860 | S.CER C1608 JB 1H 102K-T | T | 41.5/75.1 |
| C2152 | 4030006860 | S.CER C1608 JB 1H 102K-T | T | 43.4/77.2 |
| C2153 | 4030011600 | S.CER C1608 JB 1E 104K-T | T | 42.8/81.6 |
| C2154 | 4030006990 | S.CER C1608 CH 1H 080D-T | T | 43.6/83.1 |
| C2501 | 4030011600 | S.CER C1608 JB 1E 104K-T | T | 52.4/85.2 |
| C2502 | 4030011600 | S.CER C1608 JB 1E 104K-T | T | 51.3/80.2 |
| C2503 | 4030006880 | S.CER C1608 JB 1H 472K-T | T | 57.1/78.2 |
| C2504 | 4030011600 | S.CER C1608 JB 1E 104K-T | T | 57.1/77.0 |
| C2548 | 4030011600 | S.CER C1608 JB 1E 104K-T | T | 42.4/86.1 |
| C2549 | 4030011600 | S.CER C1608 JB 1E 104K-T | T | 43.8/86.1 |
| C2550 | 4030007050 | S.CER C1608 CH 1H 220J-T | T | 46.0/85.7 |
| C2551 | 4030011600 | S.CER C1608 JB 1E 104K-T | T | 46.5/86.9 |
| C2553 | 4030011600 | S.CER C1608 JB 1E 104K-T | T | 36.6/92.4 |
| C2554 | 4030019490 | S.CER C2012 JB 1A 106K-T | T | 51.0/90.8 |
| C2555 | 4030011600 | S.CER C1608 JB 1E 104K-T | T | 50.8/89.2 |
| C2556 | 4030019460 | S.CER C1608 JB 0J 106M-T | T | 49.4/88.0 |
| C2557 | 4030011600 | S.CER C1608 JB 1E 104K-T | T | 51.3/94.7 |
| C2558 | 4030006880 | S.CER C1608 JB 1H 472K-T | T | 47.0/99.3 |
| C2559 | 4030019490 | S.CER C2012 JB 1A 106K-T | T | 36.4/90.9 |
| C2560 | 4030007070 | S.CER C1608 CH 1H 330J-T | T | 43.1/84.3 |
| C2563 | 4030007060 | S.CER C1608 CH 1H 270J-T | T | 65.3/90.4 |
| C2564 | 4030007120 | S.CER C1608 CH 1H 820J-T | T | 65.4/95.6 |
| C2565 | 4030007060 | S.CER C1608 CH 1H 270J-T | T | 67.5/96.4 |
| C2566 | 4030007030 | S.CER C1608 CH 1H 150J-T | T | 65.4/96.8 |
| C2575 | 4030007100 | S.CER C1608 CH 1H 560J-T | T | 80.3/95.1 |
| C2576 | 4030007070 | S.CER C1608 CH 1H 330J-T | T | 80.2/90.1 |
| C2577 | 4030007150 | S.CER C1608 CH 1H 151J-T | T | 81.8/96.3 |
| C2578 | 4030007100 | S.CER C1608 CH 1H 560J-T | T | 82.4/98.7 |
| C2579 | 4030007040 | S.CER C1608 CH 1H 180J-T | T | 85.2/95.1 |
| C2580 | 4030007080 | S.CER C1608 CH 1H 390J-T | T | 85.2/93.9 |

[MAIN UNIT]

| REF NO. | PART NO. | DESCRIPTION | M. | H/V LOCATION |
|---------|------------|--------------------------|----|--------------|
| C2581 | 4030007050 | S.CER C1608 CH 1H 220J-T | T | 87.8/93.7 |
| C2582 | 4030007140 | S.CER C1608 CH 1H 121J-T | T | 81.8/97.5 |
| C2594 | 4030007080 | S.CER C1608 CH 1H 390J-T | T | 54.4/89.3 |
| C2595 | 4030011600 | S.CER C1608 JB 1E 104K-T | T | 54.6/96.3 |
| C2596 | 4030006880 | S.CER C1608 JB 1H 472K-T | T | 57.4/97.5 |
| C2597 | 4030006880 | S.CER C1608 JB 1H 472K-T | T | 68.7/98.2 |
| C2598 | 4030007090 | S.CER C1608 CH 1H 470J-T | T | 67.2/91.5 |
| C2599 | 4030007130 | S.CER C1608 CH 1H 101J-T | T | 68.0/94.4 |
| C2601 | 4030006860 | S.CER C1608 JB 1H 102K-T | T | 94.3/94.3 |
| C2602 | 4030006860 | S.CER C1608 JB 1H 102K-T | T | 97.2/90.5 |
| C2603 | 4030011600 | S.CER C1608 JB 1E 104K-T | T | 97.2/91.7 |
| C2604 | 4030006860 | S.CER C1608 JB 1H 102K-T | T | 100.6/95.9 |
| C2605 | 4030009990 | S.CER C1608 CH 1H 200J-T | T | 102.3/92.1 |
| C2606 | 4030009530 | S.CER C1608 CH 1H 030B-T | T | 104.9/92.1 |
| C2607 | 4030007070 | S.CER C1608 CH 1H 330J-T | T | 104.9/89.7 |
| C2608 | 4030009500 | S.CER C1608 CH 1H 0R5B-T | T | 104.9/90.9 |
| C2615 | 4030011600 | S.CER C1608 JB 1E 104K-T | T | 4.4/24.3 |
| C2623 | 4030006880 | S.CER C1608 JB 1H 472K-T | T | 166.6/1.7 |
| C2702 | 4030006880 | S.CER C1608 JB 1H 472K-T | T | 105.4/84.1 |
| C2703 | 4030006860 | S.CER C1608 JB 1H 102K-T | T | 142.7/92.6 |
| C2704 | 4510009820 | S.ELE EEEFK1C470P | T | 153.0/85.6 |
| C2705 | 4030006860 | S.CER C1608 JB 1H 102K-T | T | 150.5/90.2 |
| C2706 | 4030006860 | S.CER C1608 JB 1H 102K-T | T | 144.4/87.0 |
| C2707 | 4030006860 | S.CER C1608 JB 1H 102K-T | T | 142.6/79.1 |
| C2708 | 4030006860 | S.CER C1608 JB 1H 102K-T | T | 144.3/73.4 |
| C2711 | 4030006880 | S.CER C1608 JB 1H 472K-T | T | 149.4/81.3 |
| C2712 | 4030006980 | S.CER C1608 CH 1H 070D-T | T | 153.1/78.9 |
| C2713 | 4030007050 | S.CER C1608 CH 1H 220J-T | T | 149.4/78.9 |
| C2714 | 4030007050 | S.CER C1608 CH 1H 220J-T | T | 149.4/80.1 |
| C2715 | 4030007130 | S.CER C1608 CH 1H 101J-T | T | 98.9/17.0 |
| C2800 | 4030009530 | S.CER C1608 CH 1H 030B-T | T | 121.0/98.4 |
| C2801 | 4030010000 | S.CER C1608 CH 1H 510J-T | T | 117.7/99.6 |
| C2802 | 4030007060 | S.CER C1608 CH 1H 270J-T | T | 120.3/99.6 |
| C2803 | 4030007070 | S.CER C1608 CH 1H 330J-T | T | 122.9/99.6 |
| C2804 | 4030006880 | S.CER C1608 JB 1H 472K-T | T | 125.5/99.6 |
| C2805 | 4030018580 | S.CER C1608 CH 1H 821J-T | T | 118.4/98.4 |
| C2806 | 4030011340 | S.CER C1608 CH 1H 471J-T | T | 121.6/97.2 |
| C2807 | 4030007090 | S.CER C1608 CH 1H 470J-T | T | 126.4/94.6 |
| C2808 | 4030006980 | S.CER C1608 CH 1H 070D-T | T | 127.0/98.4 |
| C2809 | 4030006880 | S.CER C1608 JB 1H 472K-T | T | 138.5/97.2 |
| C2810 | 4030007130 | S.CER C1608 CH 1H 101J-T | T | 129.2/94.8 |
| C2811 | 4030009920 | S.CER C1608 CH 1H 050B-T | T | 128.5/99.6 |
| C2812 | 4030007120 | S.CER C1608 CH 1H 820J-T | T | 131.8/94.8 |
| C2813 | 4030009500 | S.CER C1608 CH 1H 0R5B-T | T | 133.3/97.2 |
| C2814 | 4030007060 | S.CER C1608 CH 1H 270J-T | T | 131.8/96.0 |
| C2815 | 4030007110 | S.CER C1608 CH 1H 680J-T | T | 134.4/96.0 |
| C2816 | 4030006880 | S.CER C1608 JB 1H 472K-T | T | 141.8/95.1 |
| C2817 | 4030009530 | S.CER C1608 CH 1H 030B-T | T | 123.6/98.4 |
| C2850 | 4030009530 | S.CER C1608 CH 1H 030B-T | T | 122.3/91.6 |
| C2851 | 4030009500 | S.CER C1608 CH 1H 0R5B-T | T | 133.3/90.4 |
| C2852 | 4030007090 | S.CER C1608 CH 1H 470J-T | T | 118.4/92.8 |
| C2853 | 4030007060 | S.CER C1608 CH 1H 270J-T | T | 121.0/92.8 |
| C2854 | 4030007060 | S.CER C1608 CH 1H 270J-T | T | 123.6/93.1 |
| C2855 | 4030006880 | S.CER C1608 JB 1H 472K-T | T | 126.2/93.1 |
| C2856 | 4030017800 | S.CER C1608 CH 1H 561J-T | T | 118.8/91.6 |
| C2857 | 4030010760 | S.CER C1608 CH 1H 331J-T | T | 121.8/90.4 |
| C2858 | 4030010000 | S.CER C1608 CH 1H 510J-T | T | 125.6/87.8 |
| C2859 | 4030006980 | S.CER C1608 CH 1H 070D-T | T | 127.7/91.6 |
| C2860 | 4030018020 | S.CER C1608 CH 1H 910J-T | T | 129.2/87.8 |
| C2861 | 4030006880 | S.CER C1608 JB 1H 472K-T | T | 138.5/90.4 |
| C2862 | 4030009530 | S.CER C1608 CH 1H 030B-T | T | 131.0/89.0 |
| C2863 | 4030018020 | S.CER C1608 CH 1H 910J-T | T | 131.8/87.8 |
| C2865 | 4030006880 | S.CER C1608 JB 1H 472K-T | T | 141.8/88.2 |
| C2866 | 4030007030 | S.CER C1608 CH 1H 150J-T | T | 137.0/88.0 |
| C2867 | 4030007150 | S.CER C1608 CH 1H 151J-T | T | 123.6/87.9 |
| C2900 | 4030011770 | S.CER C1608 CH 1H 060B-T | T | 122.3/84.8 |
| C2901 | 4030007070 | S.CER C1608 CH 1H 330J-T | T | 118.4/86.0 |
| C2902 | 4030010760 | | | |

[MAIN UNIT]

Table with columns: REF NO., PART NO., DESCRIPTION, M., H/V LOCATION. Lists components like C2973, C2974, C2975, etc., and their specifications.

[MAIN UNIT]

Table with columns: REF NO., PART NO., DESCRIPTION, M., H/V LOCATION. Lists components like EP10, EP11, EP12, etc., and their specifications.

Eqv.= This component is equivalent to the REF No. component listed above, and may be substituted on parts orders and repairs.

M.=Mounted side (T: Mounted on the Top side, B: Mounted on the Bottom side) H/V LOCATION=See the BOARD LAYOUTS for details.

[RF UNIT]

Table with columns: REF NO., PART NO., DESCRIPTION, M., H/V LOCATION. Rows include components like IC141, Q12, D1, L1, etc.

[RF UNIT]

Table with columns: REF NO., PART NO., DESCRIPTION, M., H/V LOCATION. Rows include components like L205, R1, R2, etc.

Eqv.= This component is equivalent to the REF No. component listed above, and may be substituted on parts orders and repairs.

M.=Mounted side (T: Mounted on the Top side, B: Mounted on the Bottom side) H/V LOCATION=See the BOARD LAYOUTS for details.

[RF UNIT]

Table with columns: REF NO., PART NO., DESCRIPTION, M., H/V LOCATION. Contains list of components for the [RF UNIT] section, including parts like ERJ3GEYJ 101 V (100).

[RF UNIT]

Table with columns: REF NO., PART NO., DESCRIPTION, M., H/V LOCATION. Contains list of components for the [RF UNIT] section, including parts like C5, C6, C7, C8, C9, C12, C13, C141, C142, C143, C143, C161, C162, C163, C164, C165, C166, C168, C169, C170, C171, C173, C174, C175, C176, C181, C182, C183, C184, C186, C187, C195, C201, C202, C203, C204, C205, C206, C207, C208, C221, C222, C223, C224, C241, C242, C243, C244, C245, C246, C247, C248, C249, C261, C262, C263, C264, C265, C266, C281, C282, C283, C284, C285, C286, C287, C288, C301, C302, C303, C304, C305, C306, C307, C308, C321, C322, C323, C324, C325, C326, C327, C328, C341, C342, C343, C344, C345, C346, C347, C348, C360, C361, C362, C363, C364, C365, C366, C367, C368, C369, C381, C382, C383, C384.

Eqv.= This component is equivalent to the REF No. component listed above, and may be substituted on parts orders and repairs.

M.=Mounted side (T: Mounted on the Top side, B: Mounted on the Bottom side) H/V LOCATION=See the BOARD LAYOUTS for details.

[RF UNIT]

| REF NO. | PART NO. | DESCRIPTION | M. | H/V LOCATION |
|---------|------------|-----------------------------|----|--------------|
| C385 | 4030011600 | S.CER C1608 JB 1E 104K-T | T | 46.0/71.9 |
| C386 | 4030011600 | S.CER C1608 JB 1E 104K-T | T | 48.9/71.9 |
| C387 | 4030011600 | S.CER C1608 JB 1E 104K-T | T | 30.4/70.4 |
| C388 | 4030011600 | S.CER C1608 JB 1E 104K-T | T | 31.1/68.0 |
| C401 | 4030007110 | S.CER C1608 CH 1H 680J-T | T | 47.3/63.7 |
| C402 | 4030007080 | S.CER C1608 CH 1H 390J-T | T | 39.7/63.8 |
| C403 | 4030007150 | S.CER C1608 CH 1H 151J-T | T | 50.0/60.8 |
| C404 | 4030018580 | S.CER C1608 CH 1H 821J-T | T | 42.8/59.4 |
| C405 | 4030007120 | S.CER C1608 CH 1H 820J-T | T | 34.8/61.0 |
| C406 | 4030007030 | S.CER C1608 CH 1H 150J-T | T | 34.8/64.4 |
| C407 | 4030007150 | S.CER C1608 CH 1H 151J-T | T | 32.9/61.0 |
| C408 | 4030007080 | S.CER C1608 CH 1H 390J-T | T | 32.1/62.9 |
| C409 | 4030007140 | S.CER C1608 CH 1H 121J-T | T | 31.3/61.0 |
| C410 | 4030008560 | S.CER C1608 CH 1H 300J-T | T | 29.3/64.4 |
| C411 | 4030007120 | S.CER C1608 CH 1H 820J-T | T | 29.3/61.6 |
| C412 | 4030007090 | S.CER C1608 CH 1H 470J-T | T | 41.7/64.2 |
| C413 | 4030007030 | S.CER C1608 CH 1H 150J-T | T | 51.2/60.8 |
| C441 | 4030011600 | S.CER C1608 JB 1E 104K-T | T | 24.8/67.3 |
| C442 | 4030011600 | S.CER C1608 JB 1E 104K-T | T | 14.8/57.6 |
| C443 | 4030018910 | S.CER C1608 JB 0J 475K-T | T | 14.8/58.8 |
| C444 | 4030011600 | S.CER C1608 JB 1E 104K-T | T | 14.8/73.9 |
| C445 | 4030011600 | S.CER C1608 JB 1E 104K-T | T | 12.6/60.5 |
| C446 | 4030011600 | S.CER C1608 JB 1E 104K-T | T | 10.0/67.4 |
| C447 | 4030006880 | S.CER C1608 JB 1H 472K-T | T | 16.6/70.6 |
| C448 | 4030011600 | S.CER C1608 JB 1E 104K-T | T | 8.1/60.5 |
| C450 | 4030011600 | S.CER C1608 JB 1E 104K-T | T | 5.0/76.7 |
| C451 | 4030011600 | S.CER C1608 JB 1E 104K-T | T | 14.1/68.7 |
| C452 | 4030011600 | S.CER C1608 JB 1E 104K-T | T | 15.4/70.6 |
| C453 | 4030011600 | S.CER C1608 JB 1E 104K-T | T | 8.6/58.6 |
| C454 | 4510009250 | S.ELE EEEFK1C471P | T | 14.9/84.9 |
| C455 | 4030007110 | S.CER C1608 CH 1H 680J-T | T | 11.4/77.0 |
| C456 | 4030007090 | S.CER C1608 CH 1H 470J-T | T | 20.0/72.6 |
| C457 | 4030007090 | S.CER C1608 CH 1H 470J-T | T | 16.4/61.3 |
| C460 | 4030006900 | S.CER C1608 JB 1H 103K-T | T | 10.9/38.2 |
| C461 | 4030011600 | S.CER C1608 JB 1E 104K-T | T | 7.8/35.0 |
| C462 | 4030006880 | S.CER C1608 JB 1H 472K-T | T | 7.8/40.8 |
| C464 | 4030017480 | S.CER C1608 JB 1A 474K-T | T | 3.3/30.1 |
| C468 | 4030011600 | S.CER C1608 JB 1E 104K-T | T | 3.3/16.9 |
| C470 | 4030018970 | S.CER C3225 JB 1C 226MT-N | T | 3.0/45.8 |
| C471 | 4030018970 | S.CER C3225 JB 1C 226MT-N | T | 6.0/45.1 |
| C480 | 4030017490 | S.CER C1608 JB 1A 105K-T | T | 2.2/26.5 |
| C481 | 4030011600 | S.CER C1608 JB 1E 104K-T | T | 4.3/22.9 |
| C482 | 4030017490 | S.CER C1608 JB 1A 105K-T | T | 2.2/27.7 |
| C483 | 4030017490 | S.CER C1608 JB 1A 105K-T | T | 2.2/25.3 |
| C504 | 4030006880 | S.CER C1608 JB 1H 472K-T | T | 30.2/85.1 |
| C506 | 4030006880 | S.CER C1608 JB 1H 472K-T | T | 76.1/93.6 |
| C507 | 4030006880 | S.CER C1608 JB 1H 472K-T | T | 63.5/84.1 |
| C508 | 4030006880 | S.CER C1608 JB 1H 472K-T | T | 66.1/77.3 |
| C509 | 4030006880 | S.CER C1608 JB 1H 472K-T | T | 63.5/78.8 |
| C510 | 4030006880 | S.CER C1608 JB 1H 472K-T | T | 61.7/72.9 |
| C511 | 4030006880 | S.CER C1608 JB 1H 472K-T | T | 62.5/71.0 |
| C512 | 4030006880 | S.CER C1608 JB 1H 472K-T | T | 60.5/66.0 |
| C513 | 4030006880 | S.CER C1608 JB 1H 472K-T | T | 72.7/94.9 |
| C514 | 4030006880 | S.CER C1608 JB 1H 472K-T | T | 68.8/94.6 |
| C515 | 4030006880 | S.CER C1608 JB 1H 472K-T | T | 66.8/86.8 |
| C516 | 4030006880 | S.CER C1608 JB 1H 472K-T | T | 60.8/84.1 |
| C517 | 4030006880 | S.CER C1608 JB 1H 472K-T | T | 63.5/81.4 |
| C518 | 4030006880 | S.CER C1608 JB 1H 472K-T | T | 68.1/43.4 |
| C520 | 4030006880 | S.CER C1608 JB 1H 472K-T | T | 67.2/52.0 |
| C521 | 4030006880 | S.CER C1608 JB 1H 472K-T | T | 72.2/53.5 |
| C523 | 4030011600 | S.CER C1608 JB 1E 104K-T | T | 12.0/50.0 |
| C524 | 4030006860 | S.CER C1608 JB 1H 102K-T | T | 30.7/95.0 |
| C525 | 4030006860 | S.CER C1608 JB 1H 102K-T | T | 27.7/95.0 |
| C526 | 4030006860 | S.CER C1608 JB 1H 102K-T | T | 25.2/95.1 |
| C527 | 4030006860 | S.CER C1608 JB 1H 102K-T | T | 20.2/95.1 |
| C528 | 4030006880 | S.CER C1608 JB 1H 472K-T | T | 66.5/95.0 |
| C529 | 4030006880 | S.CER C1608 JB 1H 472K-T | T | 62.7/88.7 |
| C530 | 4030006880 | S.CER C1608 JB 1H 472K-T | T | 61.5/88.7 |
| C531 | 4030006880 | S.CER C1608 JB 1H 472K-T | T | 34.2/95.0 |
| C532 | 4030006880 | S.CER C1608 JB 1H 472K-T | T | 33.0/95.0 |
| C533 | 4030007090 | S.CER C1608 CH 1H 470J-T | T | 37.4/85.8 |
| C534 | 4030007090 | S.CER C1608 CH 1H 470J-T | T | 39.8/85.8 |
| C535 | 4030007090 | S.CER C1608 CH 1H 470J-T | T | 42.2/85.8 |
| C536 | 4030007090 | S.CER C1608 CH 1H 470J-T | T | 45.3/85.8 |
| C537 | 4030006880 | S.CER C1608 JB 1H 472K-T | T | 33.8/85.8 |
| C538 | 4030006880 | S.CER C1608 JB 1H 472K-T | T | 50.7/88.2 |
| C539 | 4030006880 | S.CER C1608 JB 1H 472K-T | T | 51.9/88.7 |
| C542 | 4030006880 | S.CER C1608 JB 1H 472K-T | T | 53.1/88.7 |
| C543 | 4030006880 | S.CER C1608 JB 1H 472K-T | T | 46.5/85.8 |
| C544 | 4030006880 | S.CER C1608 JB 1H 472K-T | T | 47.7/85.8 |
| C545 | 4030006880 | S.CER C1608 JB 1H 472K-T | T | 48.9/85.8 |
| C546 | 4030011600 | S.CER C1608 JB 1E 104K-T | T | 50.1/85.5 |
| C547 | 4030006880 | S.CER C1608 JB 1H 472K-T | T | 57.9/88.7 |
| C548 | 4030006880 | S.CER C1608 JB 1H 472K-T | T | 56.7/88.7 |
| C549 | 4030006880 | S.CER C1608 JB 1H 472K-T | T | 35.0/85.8 |
| C551 | 4030006880 | S.CER C1608 JB 1H 472K-T | T | 59.1/88.7 |
| C552 | 4030006880 | S.CER C1608 JB 1H 472K-T | T | 72.7/93.7 |
| C553 | 4030006880 | S.CER C1608 JB 1H 472K-T | T | 60.3/88.7 |
| C554 | 4030011600 | S.CER C1608 JB 1E 104K-T | T | 65.5/43.4 |
| C555 | 4030011600 | S.CER C1608 JB 1E 104K-T | T | 53.8/29.7 |
| C556 | 4030006880 | S.CER C1608 JB 1H 472K-T | T | 38.4/89.0 |
| C557 | 4030006880 | S.CER C1608 JB 1H 472K-T | T | 38.4/90.2 |
| C558 | 4030006880 | S.CER C1608 JB 1H 472K-T | T | 36.2/94.2 |
| C559 | 4030006880 | S.CER C1608 JB 1H 472K-T | T | 36.2/95.4 |
| C560 | 4030006880 | S.CER C1608 JB 1H 472K-T | T | 32.6/85.8 |
| C561 | 4030006880 | S.CER C1608 JB 1H 472K-T | T | 49.5/88.8 |
| RL1 | 6330002020 | REL FTR-B4CA009Z | | |
| RL501 | 6330002020 | REL FTR-B4CA009Z | | |
| J5 | 6510024151 | S.CON 50FY-BMT-TB (LF) (SN) | T | 22.2/90.9 |
| J6 | 6510024151 | S.CON 50FY-BMT-TB (LF) (SN) | T | 51.8/93.2 |

[RF UNIT]

| REF NO. | PART NO. | DESCRIPTION | M. | H/V LOCATION |
|---------|------------|----------------------------|----|--------------|
| J7 | 6510028210 | CON SJ050010 (TMP-J01X-V6) | | |
| J8 | 6510028210 | CON SJ050010 (TMP-J01X-V6) | | |
| J10 | 6510028210 | CON SJ050010 (TMP-J01X-V6) | | |
| J501 | 6450001641 | CON TCS5044-0141177 | | |
| J502 | 6450001130 | CON JPJ2042-01-110 | | |
| J503 | 6510023900 | CON LGR4619-7000 | | |
| EP170 | 6910012350 | S.BEA MMZ1608Y 102BT | T | 60.9/25.7 |
| EP501 | 6910012350 | S.BEA MMZ1608Y 102BT | T | 70.3/48.0 |
| EP502 | 6910018930 | S.BEA MPZ2012S601A | T | 65.8/84.1 |
| EP503 | 6910018930 | S.BEA MPZ2012S601A | T | 65.8/79.7 |
| EP504 | 6910018930 | S.BEA MPZ2012S601A | T | 65.8/73.2 |
| EP505 | 6910018930 | S.BEA MPZ2012S601A | T | 73.8/29.7 |
| EP507 | 6910018930 | S.BEA MPZ2012S601A | T | 28.2/87.5 |
| EP509 | 6910018930 | S.BEA MPZ2012S601A | T | 23.9/85.9 |
| EP510 | 6910018930 | S.BEA MPZ2012S601A | T | 21.6/85.9 |
| EP511 | 6910012350 | S.BEA MMZ1608Y 102BT | T | 67.2/53.3 |
| EP512 | 6910012350 | S.BEA MMZ1608Y 102BT | T | 72.2/54.8 |

Eqv.= This component is equivalent to the REF No. component listed above, and may be substituted on parts orders and repairs.

M.=Mounted side (T: Mounted on the Top side, B: Mounted on the Bottom side)
H/V LOCATION=See the BOARD LAYOUTS for details.

[PA UNIT]

| REF NO. | PART NO. | DESCRIPTION | M. | H/V LOCATION |
|---------|------------|----------------------------------|----|--------------|
| IC1 | 1180001252 | S.IC TA7808F (TE16L1NQ) | T | 17.3/40.6 |
| IC2 | 1110003800 | S.IC NJM2904V-TE1-#FMZB | T | 6.5/23.0 |
| Q1 | 1560001241 | S.FET RD01MUS1-T113 | T | 26.7/30.8 |
| Q2 | 1560001530 | FET RD15HV1-101 | | |
| Q3 | 1560001530 | FET RD15HV1-101 | | |
| Q4 | 1560001640 | FET RD100HHF1C-103 | | |
| Q5 | 1560001640 | FET RD100HHF1C-103 | | |
| Q7 | 1590000680 | S.TRA DTC114EUA T106 | T | 20.0/58.6 |
| Q131 | 1540000550 | S.TRA 2SD1664 T100Q | T | 144.7/84.5 |
| D4 | 1790000700 | DIO DSA3A1 | | |
| D5 | 1790000700 | DIO DSA3A1 | | |
| D6 | 1790001251 | S.DIO MA2S1110GL | T | 11.6/56.1 |
| D8 | 1790001251 | S.DIO MA2S1110GL | T | 84.8/12.9 |
| D9 | 1790001251 | S.DIO MA2S1110GL | T | 84.8/54.1 |
| D10 | 1790001251 | S.DIO MA2S1110GL | T | 38.3/9.6 |
| D11 | 1790001251 | S.DIO MA2S1110GL | T | 39.2/39.0 |
| D17 | 1790001251 | S.DIO MA2S1110GL | T | 89.2/56.7 |
| D18 | 1790001251 | S.DIO MA2S1110GL | T | 89.2/10.4 |
| L1 | 6140002350 | COI LR-274 (RIB4X7X5 3A6) | | |
| L2 | 6140004690 | COI LR-530 | | |
| L3 | 6140004700 | COI LR-529 | | |
| L4 | 6140003590 | COI LR-400 (TR10X5X5 6H3) | | |
| L5 | 6140004570 | COI LR-507 | | |
| L7 | 6140002220 | COI LR-270 (TR6X3X2 3A9) | | |
| L24 | 6200003241 | S.COI NLV32T-221J-PF | T | 21.4/16.8 |
| L25 | 6200003241 | S.COI NLV32T-221J-PF | T | 18.4/13.8 |
| L29 | 6140003440 | COI LR-386 (FK-100E-5003H) [#03] | | |
| | 6140003440 | COI LR-386 (FK-100E-5003H) [#04] | | |
| | 6140003440 | COI LR-386 (FK-100E-5003H) [#05] | | |
| | 6140003440 | COI LR-386 (FK-100E-5003H) [#06] | | |
| | 6140003440 | COI LR-386 (FK-100E-5003H) [#07] | | |
| L38 | 6140003440 | COI LR-386 (FK-100E-5003H) [#03] | | |
| | 6140003440 | COI LR-386 (FK-100E-5003H) [#04] | | |
| | 6140003440 | COI LR-386 (FK-100E-5003H) [#05] | | |
| | 6140003440 | COI LR-386 (FK-100E-5003H) [#06] | | |
| | 6140003440 | COI LR-386 (FK-100E-5003H) [#07] | | |
| L131 | 6200002041 | S.COI NLV25T-101J-PF | T | 36.0/80.2 |
| R1 | 7030003310 | S.RES ERJ3GEYJ 820 V (82) | T | 23.5/31.2 |
| R2 | 7030003510 | S.RES ERJ3GEYJ 392 V (3.9 k) | T | 22.3/31.2 |
| R3 | 7030003410 | S.RES ERJ3GEYJ 561 V (560) | T | 26.8/26.1 |
| R4 | 7030006210 | S.RES ERJ12YJ4R7U (4.7) | T | 31.1/34.2 |
| R5 | 7030008180 | S.RES ERJ12YJ331U (330) | T | 29.5/24.2 |
| R6 | 7030003450 | S.RES ERJ3GEYJ 122 V (1.2 k) | T | 23.5/33.8 |
| R7 | 7030000220 | S.RES MCR10EZHJ 47 (470) | T | 40.3/41.0 |
| R8 | 7030000220 | S.RES MCR10EZHJ 47 (470) | T | 40.3/8.2 |
| R9 | 7030010480 | S.RES ERJ1TYJ 181U (180) | T | 49.5/34.7 |
| R10 | 7030010480 | S.RES ERJ1TYJ 181U (180) | T | 49.5/6.6 |
| R11 | 7030003230 | S.RES ERJ3GEYJ 180 V (18) | T | 15.5/25.8 |
| R12 | 7030003370 | S.RES ERJ3GEYJ 271 V (270) | T | 16.3/27.9 |
| R13 | 7030003370 | S.RES ERJ3GEYJ 271 V (270) | T | 16.8/25.8 |
| R15 | 7030010410 | S.RES ERJ1TYJ 220U (22) | T | 107.4/38.5 |
| R16 | 7030010410 | S.RES ERJ1TYJ 220U (22) | T | 107.4/28.5 |
| R17 | 7030003510 | S.RES ERJ3GEYJ 392 V (3.9 k) | T | 90.0/54.8 |
| R18 | 7030003510 | S.RES ERJ3GEYJ 392 V (3.9 k) | T | 90.0/12.2 |
| R20 | 7030000010 | S.RES MCR10EZHJ JPW (000) | T | 21.5/26.0 |
| R22 | 7030010950 | S.RES ERJ1TYJ 100U (10) | T | 74.2/18.1 |
| R25 | 7030005971 | S.RES ERA3YKD 683V (68 k) | T | 143.1/80.4 |
| R26 | 7030005981 | S.RES ERA3YED 333V (33 k) | T | 138.7/80.4 |
| R27 | 7030005981 | S.RES ERA3YED 333V (33 k) | T | 136.9/80.4 |
| R29 | 7030007661 | S.RES ERA3YED 331V (330) | T | 140.5/81.2 |
| R31 | 7030003450 | S.RES ERJ3GEYJ 122 V (1.2 k) | T | 92.4/7.7 |
| R32 | 7030010570 | S.RES ERJ1TYJ 4R7U (4.7) | T | 165.7/61.8 |
| R33 | 7030010570 | S.RES ERJ1TYJ 4R7U (4.7) | T | 169.4/61.8 |
| R34 | 7030010410 | S.RES ERJ1TYJ 220U (22) | T | 103.4/38.5 |
| R36 | 7030010410 | S.RES ERJ1TYJ 220U (22) | T | 103.4/28.5 |
| R37 | 7030010410 | S.RES ERJ1TYJ 220U (22) | T | 87.7/50.7 |
| R38 | 7030010410 | S.RES ERJ1TYJ 220U (22) | T | 87.7/16.3 |
| R39 | 7030011240 | S.RES LRF3W-LF-01-R020F | T | 137.8/75.5 |
| R40 | 7030011240 | S.RES LRF3W-LF-01-R020F | T | 137.8/68.5 |
| R41 | 7030003320 | S.RES ERJ3GEYJ 101 V (100) | T | 18.4/64.4 |
| R42 | 7030003320 | S.RES ERJ3GEYJ 101 V (100) | T | 18.4/68.1 |
| R43 | 7030003320 | S.RES ERJ3GEYJ 101 V (100) | T | 17.4/71.8 |
| R44 | 7030003400 | S.RES ERJ3GEYJ 471 V (470) | T | 9.6/25.2 |
| R45 | 7030003400 | S.RES ERJ3GEYJ 471 V (470) | T | 8.2/17.8 |
| R46 | 7030003480 | S.RES ERJ3GEYJ 222 V (2.2 k) | T | 41.3/43.1 |
| R47 | 7030003480 | S.RES ERJ3GEYJ 222 V (2.2 k) | T | 41.3/6.2 |
| R49 | 7030011130 | S.RES ERJ1TYJ 1R0U (1) | T | 99.9/13.5 |
| R50 | 7510001551 | S.THE NTCG16 4LH 333JT | T | 105.1/6.2 |
| R51 | 7030003440 | S.RES ERJ3GEYJ 102 V (1 k) | T | 33.6/32.7 |
| R52 | 7030004040 | S.RES ERJ3GEYJ 4R7 V (4.7) | T | 24.1/59.3 |
| R55 | 7030005971 | S.RES ERA3YKD 683V (68 k) | T | 136.9/85.7 |
| R60 | 7030011130 | S.RES ERJ1TYJ 1R0U (1) | T | 99.9/53.6 |
| R71 | 7030003650 | S.RES ERJ3GEYJ 563 V (56 k) | T | 6.0/28.2 |
| R72 | 7030003680 | S.RES ERJ3GEYJ 104 V (100 k) | T | 4.8/28.2 |
| R73 | 7030003650 | S.RES ERJ3GEYJ 563 V (56 k) | T | 8.4/26.7 |
| R74 | 7030003680 | S.RES ERJ3GEYJ 104 V (100 k) | T | 7.2/28.2 |
| R75 | 7030003680 | S.RES ERJ3GEYJ 104 V (100 k) | T | 3.4/19.3 |
| R76 | 7030003650 | S.RES ERJ3GEYJ 563 V (56 k) | T | 7.0/17.8 |
| R77 | 7030003680 | S.RES ERJ3GEYJ 104 V (100 k) | T | 5.8/17.1 |
| R78 | 7030003650 | S.RES ERJ3GEYJ 563 V (56 k) | T | 4.6/19.3 |
| R79 | 7030003320 | S.RES ERJ3GEYJ 101 V (100) | T | 10.4/20.8 |
| R81 | 7030008240 | S.RES ERJ12Y0R00U | T | 40.2/32.4 |
| R82 | 7030008240 | S.RES ERJ12Y0R00U | T | 40.2/16.8 |
| R106 | 7030010250 | S.RES ERJ1TYJ 0R00U | T | 92.5/39.8 |
| R107 | 7030010250 | S.RES ERJ1TYJ 0R00U | T | 92.5/27.2 |
| R120 | 7030010250 | S.RES ERJ1TYJ 0R00U | T | 149.9/59.8 |

[PA UNIT]

| REF NO. | PART NO. | DESCRIPTION | M. | H/V LOCATION |
|---------|------------|--------------------------------|----|--------------|
| R131 | 7030003400 | S.RES ERJ3GEYJ 471 V (470) | T | 141.4/85.2 |
| R132 | 7030003860 | S.RES ERJ3GE JPW V | T | 148.4/84.3 |
| C1 | 4030017320 | S.CER GRM21BB11H104KA01L | T | 23.3/28.0 |
| C2 | 4030008960 | S.CER C2012 JB 1C 104K-T | T | 25.2/26.4 |
| C3 | 4030004720 | S.CER C2012 JB 1H 102K-T | T | 25.9/37.6 |
| C4 | 4030005110 | S.CER C2012 JB 1E 473K-T | T | 28.5/19.6 |
| C5 | 4030021650 | S.CER GRM3192C2A472JA01D | T | 44.0/37.1 |
| C6 | 4030021650 | S.CER GRM3192C2A472JA01D | T | 44.0/9.0 |
| C8 | 4030005110 | S.CER C2012 JB 1E 473K-T | T | 30.1/28.8 |
| C12 | 4030007130 | S.CER C1608 CH 1H 101J-T | T | 14.3/25.8 |
| C17 | 4030008920 | S.CER C1608 JB 1H 473K-T | T | 22.3/33.9 |
| C19 | 4030008920 | S.CER C1608 JB 1H 473K-T | T | 23.5/36.5 |
| C21 | 4030005110 | S.CER C2012 JB 1E 473K-T | T | 72.7/12.4 |
| C22 | 4030006860 | S.CER C1608 JB 1H 102K-T | T | 74.2/12.7 |
| C27 | 4510009250 | S.ELE EEEFK1C471P | T | 181.0/73.2 |
| C28 | 4030006880 | S.CER C1608 JB 1H 472K-T | T | 150.9/72.0 |
| C29 | 4030011600 | S.CER C1608 JB 1E 104K-T | T | 161.5/72.0 |
| C30 | 4030007170 | S.CER C1608 CH 1H 221J-T | T | 165.4/72.0 |
| C31 | 4030005110 | S.CER C2012 JB 1E 473K-T | T | 125.3/80.6 |
| C32 | 4510009250 | S.ELE EEEFK1C471P | T | 130.6/81.6 |
| C33 | 4030006880 | S.CER C1608 JB 1H 472K-T | T | 119.6/70.3 |
| C34 | 4030007170 | S.CER C1608 CH 1H 221J-T | T | 117.3/70.3 |
| C35 | 4030018980 | S.CER C1608 JB 1H 104K-T | T | 115.0/70.3 |
| C42 | 4510009250 | S.ELE EEEFK1C471P | T | 145.9/73.2 |
| C43 | 4030006880 | S.CER C1608 JB 1H 472K-T | T | 94.8/6.2 |
| C44 | 4030006880 | S.CER C1608 JB 1H 472K-T | T | 90.0/7.7 |
| C46 | 4030006880 | S.CER C1608 JB 1H 472K-T | T | 23.2/76.3 |
| C47 | 4030006880 | S.CER C1608 JB 1H 472K-T | T | 135.7/86.3 |
| C52 | 4030008920 | S.CER C1608 JB 1H 473K-T | T | 96.0/6.2 |
| C53 | 4030008920 | S.CER C1608 JB 1H 473K-T | T | 18.7/56.1 |
| C54 | 4030008920 | S.CER C1608 JB 1H 473K-T | T | 91.2/7.7 |
| C55 | 4030006880 | S.CER C1608 JB 1H 472K-T | T | 18.4/17.6 |
| C56 | 4030006860 | S.CER C1608 JB 1H 102K-T | T | 15.5/14.2 |
| C57 | 4030006880 | S.CER C1608 JB 1H 472K-T | T | 19.2/8.6 |
| C59 | 4510009250 | S.ELE EEEFK1C471P [#03] | T | 81.3/72.6 |
| | 4510009250 | S.ELE EEEFK1C471P [#04] | | |
| | 4510009250 | S.ELE EEEFK1C471P [#05] | | |
| | 4510009250 | S.ELE EEEFK1C471P [#06] | | |
| | 4510009250 | S.ELE EEEFK1C471P [#07] | | |
| C60 | 4030004740 | S.CER C2012 JB 1H 472K-T [#03] | T | 75.9/75.3 |
| | 4030004740 | S.CER C2012 JB 1H 472K-T [#04] | | |
| | 4030004740 | S.CER C2012 JB 1H 472K-T [#05] | | |
| | 4030004740 | S.CER C2012 JB 1H 472K-T [#06] | | |
| | 4030004740 | S.CER C2012 JB 1H 472K-T [#07] | | |
| C61 | 4030004740 | S.CER C2012 JB 1H 472K-T [#03] | T | 75.9/69.9 |
| | 4030004740 | S.CER C2012 JB 1H 472K-T [#04] | | |
| | 4030004740 | S.CER C2012 JB 1H 472K-T [#05] | | |
| | 4030004740 | S.CER C2012 JB 1H 472K-T [#06] | | |
| | 4030004740 | S.CER C2012 JB 1H 472K-T [#07] | | |
| C62 | 4030018980 | S.CER C1608 JB 1H 104K-T [#03] | T | 42.8/72.6 |
| | 4030018980 | S.CER C1608 JB 1H 104K-T [#04] | | |
| | 4030018980 | S.CER C1608 JB 1H 104K-T [#05] | | |
| | 4030018980 | S.CER C1608 JB 1H 104K-T [#06] | | |
| | 4030018980 | S.CER C1608 JB 1H 104K-T [#07] | | |
| C63 | 4560000211 | CER RDER71H684K2K1H03B [#03] | T | |
| | 4560000211 | CER RDER71H684K2K1H03B [#04] | | |
| | 4560000211 | CER RDER71H684K2K1H03B [#05] | | |
| | 4560000211 | CER RDER71H684K2K1H03B [#06] | | |
| | 4560000211 | CER RDER71H684K2K1H03B [#07] | | |
| C66 | 4030018750 | S.CER C3225 CH 2J 682K-T | T | 95.7/43.9 |
| C67 | 4030018750 | S.CER C3225 CH 2J 682K-T | T | 95.7/23.2 |
| C71 | 4030011550 | S.CER GRM31M2C2H680JV01L | T | 59.5/33.5 |
| C72 | 4030014460 | S.CER GRM31M2C2H820JV01L | T | 57.4/33.5 |
| C73 | 4030018750 | S.CER C3225 CH 2J 682K-T | T | 103.0/18.0 |
| C74 | 4030018750 | S.CER C3225 CH 2J 682K-T | T | 103.0/49.1 |
| C77 | 4030006880 | S.CER C1608 JB 1H 472K-T | T | 22.0/76.3 |
| C78 | 4030006860 | S.CER C1608 JB 1H 102K-T | T | 16.2/75.8 |
| C79 | 4030006880 | S.CER C1608 JB 1H 472K-T | T | 9.8/85.8 |
| C80 | 4030006880 | S.CER C1608 JB 1H 472K-T | T | 8.6/83.2 |
| C81 | 4030018530 | S.CER C3216 CH 1E 103J-T | T | 41.0/37.8 |
| C82 | 4030018530 | S.CER C3216 CH 1E 103J-T | T | 41.0/11.4 |
| C83 | 4030008920 | S.CER C1608 JB 1H 473K-T | T | 37.5/7.9 |
| C84 | 4030008920 | S.CER C1608 JB 1H 473K-T | T | 38.4/37.2 |
| C85 | 4030008920 | S.CER C1608 JB 1H 473K-T | T | 83.3/11.9 |
| C86 | 4030008920 | S.CER C1608 JB 1H 473K-T | T | 83.2/55.1 |
| C87 | 4030011600 | S.CER C1608 JB 1E 104K-T | T | 22.1/58.7 |
| C88 | 4030011600 | S.CER C1608 JB 1E 104K-T | T | 17.2/64.4 |
| C89 | 4030011600 | S.CER C1608 JB 1E 104K-T | T | 17.2/68.1 |
| C90 | 4030011600 | S.CER C1608 JB 1E 104K-T | T | 16.2/71.8 |
| C91 | 4030011600 | S.CER C1608 JB 1E 104K-T | T | 19.8/75.8 |
| C92 | 4030011600 | S.CER C1608 JB 1E 104K-T | T | 17.4/75.8 |
| C93 | 4030011600 | S.CER C1608 JB 1E 104K-T | T | 29.1/79.2 |
| C94 | 4030011600 | S.CER C1608 JB 1E 104K-T | T | 16.9/20.9 |
| C97 | 4030006880 | S.CER C1608 JB 1H 472K-T | T | 18.6/75.8 |
| C100 | 4030011600 | S.CER C1608 JB 1E 104K-T | T | 82.1/11.9 |
| C101 | 4030011600 | S.CER C1608 JB 1E 104K-T | T | 82.0/55.1 |
| C102 | 4030018960 | S.CER C3216 JB 1C 106MT-N | T | 8.3/43.0 |
| C103 | 4030018960 | S.CER C3216 JB 1C 106MT-N | T | 8.3/38.0 |
| C104 | 4030011600 | S.CER C1608 JB 1E 104K-T | T | 10.0/42.7 |
| C105 | 4030011600 | S.CER C1608 JB 1E 104K-T | T | 10.0/38.3 |
| C106 | 4030011730 | S.CER GRM31M2C2H101JV01L | T | 85.0/42.6 |
| C107 | 4030011730 | S.CER GRM31M2C2H101JV01L | T | 85.0/24.4 |

[PA UNIT]

| REF NO. | PART NO. | DESCRIPTION | M. | H/V LOCATION |
|---------|------------|-----------------------------|----|--------------|
| C125 | 4030011600 | S.CER C1608 JB 1E 104K-T | T | 24.4/76.3 |
| C130 | 4030011600 | S.CER C1608 JB 1E 104K-T | T | 22.1/56.1 |
| C131 | 4030006880 | S.CER C1608 JB 1H 472K-T | T | 36.3/78.3 |
| C132 | 4030011600 | S.CER C1608 JB 1E 104K-T | T | 146.3/80.9 |
| C133 | 4030018960 | S.CER C3216 JB 1C 106MT-N | T | 148.0/80.1 |
| C134 | 4030006880 | S.CER C1608 JB 1H 472K-T | T | 140.2/85.2 |
| RL1 | 6330001920 | REL ALDP112W | | |
| Eqv. | 6330001960 | REL ETR-GCJ-SH-112DMZ | | |
| J4 | 6510024151 | S.CON 50FY-BMT-TB(LF)(SN) | T | 25.3/83.9 |
| J8 | 6510028210 | CON SJ050010 (TMP-J01X-V6) | | |
| J9 | 6510028210 | CON SJ050010 (TMP-J01X-V6) | | |
| J131 | 6510014961 | S.CON B2B-ZR-SM4-TF(LF)(SN) | T | 151.1/82.8 |
| J132 | 6510014961 | S.CON B2B-ZR-SM4-TF(LF)(SN) | T | 157.2/82.8 |
| F1 | 5220000400 | HOL FHA010-01F | | |
| F2 | 5210000940 | FUS 1205 | | |
| W40 | 8900018211 | CAB OPC-1942A | | [#02] |
| | 8900018220 | CAB OPC-1943 | | [#03] |
| | 8900018220 | CAB OPC-1943 | | [#04] |
| | 8900018220 | CAB OPC-1943 | | [#05] |
| | 8900018220 | CAB OPC-1943 | | [#06] |
| | 8900018220 | CAB OPC-1943 | | [#07] |
| | 8900017860 | CAB OPC-1857 | | [#08] |
| | 8900017860 | CAB OPC-1857 | | [#09] |
| | 8900017860 | CAB OPC-1857 | | [#10] |
| EP1 | 6910019200 | S.BEA N2012ZPS121T50 | T | 71.5/19.5 |
| EP2 | 6910019200 | S.BEA N2012ZPS121T50 | T | 71.5/16.2 |
| EP6 | 6910012350 | S.BEA MMZ1608Y 102BT | T | 19.0/21.6 |
| EP8 | 6910019200 | S.BEA N2012ZPS121T50 | T | 70.8/12.4 |
| EP11 | 6910012350 | S.BEA MMZ1608Y 102BT | T | 24.4/80.0 |
| EP12 | 6910019200 | S.BEA N2012ZPS121T50 | T | 26.3/79.4 |
| EP21 | 6910012350 | S.BEA MMZ1608Y 102BT | T | 9.8/83.2 |
| EP26 | 6910018930 | S.BEA MPZ2012S601A | T | 22.0/8.9 |
| EP27 | 6910018930 | S.BEA MPZ2012S601A | T | 28.5/7.5 |

[FILTER UNIT]

| REF NO. | PART NO. | DESCRIPTION | M. | H/V LOCATION |
|---------|------------|----------------------------|----|--------------|
| Q149 | 1590004400 | S.TRA DMG564010R | T | 87.6/70.7 |
| Q150 | 1590004400 | S.TRA DMG564010R | T | 78.2/83.6 |
| Q151 | 1590004400 | S.TRA DMG564010R | T | 83.3/83.7 |
| Q152 | 1590004400 | S.TRA DMG564010R | T | 85.8/35.0 |
| Q153 | 1590004400 | S.TRA DMG564010R | T | 85.8/23.8 |
| Q154 | 1590004400 | S.TRA DMG564010R | T | 85.8/59.4 |
| Q158 | 1590004400 | S.TRA DMG564010R | T | 86.0/48.8 |
| D21 | 1790001251 | S.DIO MA2S1110GL | T | 86.1/52.0 |
| D41 | 1790001251 | S.DIO MA2S1110GL | T | 86.1/16.0 |
| D61 | 1790001251 | S.DIO MA2S1110GL | T | 86.1/26.5 |
| D81 | 1790001251 | S.DIO MA2S1110GL | T | 86.1/77.4 |
| D101 | 1790001251 | S.DIO MA2S1110GL | T | 72.3/83.6 |
| D121 | 1790001251 | S.DIO MA2S1110GL | T | 86.5/61.7 |
| D147 | 1790001251 | S.DIO MA2S1110GL | T | 86.1/40.1 |
| L21 | 6140001990 | COI LR-226 (T68-2) | | |
| L22 | 6140002000 | COI LR-227 (T68-2) | | |
| L23 | 6200005051 | S.COI NLV25T-330J-PF | T | 86.7/55.0 |
| L24 | 6200005051 | S.COI NLV25T-330J-PF | T | 10.3/63.9 |
| L41 | 6140001240 | COI LR-149 (T68-2) | | |
| L42 | 6140001130 | COI LR-138 (T68-2) | | |
| L43 | 6200005051 | S.COI NLV25T-330J-PF | T | 86.7/19.0 |
| L44 | 6200005051 | S.COI NLV25T-330J-PF | T | 2.4/17.6 |
| L61 | 6140001800 | COI LR-216 (T50-2) | | |
| L62 | 6140001800 | COI LR-216 (T50-2) | | |
| L63 | 6200005051 | S.COI NLV25T-330J-PF | T | 86.7/29.5 |
| L64 | 6140001800 | COI LR-216 (T50-2) | | |
| L65 | 6200005051 | S.COI NLV25T-330J-PF | T | 4.6/31.8 |
| L81 | 6140004770 | COI LR-537 | | |
| L82 | 6140004750 | COI LR-535 | | |
| L83 | 6200005051 | S.COI NLV25T-330J-PF | T | 86.7/80.4 |
| L84 | 6140001810 | COI LR-217 (T50-10) | | |
| L85 | 6200005051 | S.COI NLV25T-330J-PF | T | 3.1/79.5 |
| L101 | 6110002910 | COI LA-480 | | |
| L102 | 6110002920 | COI LA-481 | | |
| L103 | 6200005011 | S.COI NLV25T-100J-PF | T | 73.6/86.2 |
| L104 | 6200005011 | S.COI NLV25T-100J-PF | T | 9.7/81.6 |
| L121 | 6110002900 | COI LA-479 | | |
| L122 | 6110002890 | COI LA-478 | | |
| L123 | 6200005011 | S.COI NLV25T-100J-PF | T | 86.7/65.2 |
| L124 | 6200005011 | S.COI NLV25T-100J-PF | T | 11.9/68.2 |
| L141 | 6110003540 | COI LA-548 (LA-215A) | | |
| L142 | 6110003570 | COI LA-550 | | |
| L143 | 6110003550 | COI LA-547 (LA-214A) | | |
| L144 | 6200002861 | S.COI NLV25T-4R7J-PF | T | 86.7/43.1 |
| L145 | 6200002861 | S.COI NLV25T-4R7J-PF | T | 4.8/49.8 |
| R21 | 7030003340 | S.RES ERJ3GEYJ 151 V (150) | T | 85.9/57.5 |
| R41 | 7030003340 | S.RES ERJ3GEYJ 151 V (150) | T | 85.9/21.9 |
| R61 | 7030003340 | S.RES ERJ3GEYJ 151 V (150) | T | 85.9/33.1 |
| R81 | 7030003340 | S.RES ERJ3GEYJ 151 V (150) | T | 85.8/82.8 |
| R101 | 7030003340 | S.RES ERJ3GEYJ 151 V (150) | T | 75.7/83.7 |
| R121 | 7030003340 | S.RES ERJ3GEYJ 151 V (150) | T | 86.7/68.2 |
| R141 | 7030003340 | S.RES ERJ3GEYJ 151 V (150) | T | 84.0/46.9 |
| C21 | 4030008920 | S.CER C1608 JB 1H 473K-T | T | 7.0/63.4 |
| C22 | 4030008920 | S.CER C1608 JB 1H 473K-T | T | 87.3/52.0 |
| C23 | 4010007510 | CER HM17SJ SL 821J 500V | | |
| C24 | 4320001050 | S.MIC UC342H 3900J-T | T | 30.1/49.0 |
| C26 | 4010007510 | CER HM17SJ SL 821J 500V | | |
| C27 | 4030012480 | S.CER GRM31M2C2H121JV01L | T | 60.6/59.1 |
| C28 | 4010007510 | CER HM17SJ SL 821J 500V | | |
| C29 | 4010007590 | CER HM15SJ SL 681J 500V | | |
| C30 | 4010007510 | CER HM17SJ SL 821J 500V | | |
| C31 | 4010007510 | CER HM17SJ SL 821J 500V | | |
| C32 | 4010007590 | CER HM15SJ SL 681J 500V | | |
| C33 | 4030006880 | S.CER C1608 JB 1H 472K-T | T | 88.6/55.3 |
| C34 | 4010005930 | CER HM11SJ SL 391J 500V | | |
| C35 | 4030012480 | S.CER GRM31M2C2H121JV01L | T | 41.4/47.8 |
| C36 | 4010007510 | CER HM17SJ SL 821J 500V | | |
| C37 | 4030011730 | S.CER GRM31M2C2H101JV01L | T | 27.2/50.0 |
| C38 | 4030011550 | S.CER GRM31M2C2H680JV01L | T | 25.1/50.0 |
| C41 | 4030008920 | S.CER C1608 JB 1H 473K-T | T | 4.6/17.8 |
| C42 | 4030008920 | S.CER C1608 JB 1H 473K-T | T | 87.3/16.0 |
| C44 | 4010005360 | CER HM11SJ SL 301J 500V | | |
| C45 | 4010005360 | CER HM11SJ SL 301J 500V | | |
| C46 | 4010005930 | CER HM11SJ SL 391J 500V | | |
| C47 | 4010005370 | CER HM11SJ SL 331J 500V | | |
| C48 | 4030011730 | S.CER GRM31M2C2H101JV01L | T | 57.8/8.1 |
| C49 | 4010005850 | CER HM95SJ SL 181J 500V | | |
| C50 | 4010005930 | CER HM11SJ SL 391J 500V | | |
| C51 | 4030011240 | S.CER GRM31M2C2H470JV01L | T | 71.3/6.8 |
| C52 | 4010005370 | CER HM11SJ SL 331J 500V | | |
| C53 | 4010005370 | CER HM11SJ SL 331J 500V | | |
| C54 | 4030006880 | S.CER C1608 JB 1H 472K-T | T | 88.6/19.3 |
| C56 | 4030011180 | S.CER GRM31M2C2H220JV01L | T | 41.2/5.3 |
| C61 | 4030008920 | S.CER C1608 JB 1H 473K-T | T | 2.3/30.7 |
| C62 | 4030008920 | S.CER C1608 JB 1H 473K-T | T | 87.3/26.5 |
| C63 | 4010005930 | CER HM11SJ SL 391J 500V | | |
| C65 | 4030011730 | S.CER GRM31M2C2H101JV01L | T | 15.8/21.1 |
| C66 | 4030011550 | S.CER GRM31M2C2H680JV01L | T | 17.9/21.1 |
| C67 | 4010007490 | CER HM15SJ SL 561J 500V | | |
| C68 | 4030012480 | S.CER GRM31M2C2H121JV01L | T | 33.0/23.2 |
| C69 | 4030012480 | S.CER GRM31M2C2H121JV01L | T | 35.1/20.5 |
| C70 | 4010007590 | CER HM15SJ SL 681J 500V | | |
| C71 | 4030011730 | S.CER GRM31M2C2H101JV01L | T | 56.1/23.9 |
| C72 | 4030006880 | S.CER C1608 JB 1H 472K-T | T | 88.6/29.8 |
| C74 | 4030011230 | S.CER GRM31M2C2H390JV01L | T | 56.8/18.7 |
| C76 | 4030011180 | S.CER GRM31M2C2H220JV01L | T | 71.0/23.3 |

Eqv.= This component is equivalent to the REF No. component listed above, and may be substituted on parts orders and repairs.

M.=Mounted side (T: Mounted on the Top side, B: Mounted on the Bottom side)
H/V LOCATION=See the BOARD LAYOUTS for details.

[FILTER UNIT]

| REF NO. | PART NO. | DESCRIPTION | M. | H/V LOCATION |
|---------|------------|----------------------------|----|--------------|
| C77 | 4010005880 | CER HM95SJ SL 271J 500V | | |
| C81 | 4030008920 | S.CER C1608 JB 1H 473K-T | T | 3.7/76.5 |
| C82 | 4030008920 | S.CER C1608 JB 1H 473K-T | T | 87.3/77.4 |
| C83 | 4010005860 | CER HM95SJ SL 201J 500V | | |
| C84 | 4030011730 | S.CER GRM31M2C2H101JV01L | T | 30.2/78.3 |
| C85 | 4030014460 | S.CER GRM31M2C2H820JV01L | T | 50.8/74.7 |
| C86 | 4010005830 | CER HM74SJ SL 151J 500V | | |
| C88 | 4030014460 | S.CER GRM31M2C2H820JV01L | T | 72.1/73.6 |
| C89 | 4030006880 | S.CER C1608 JB 1H 472K-T | T | 88.6/80.7 |
| C90 | 4030011080 | S.CER GRM31M2C2H6R0DV01L | T | 31.9/76.1 |
| C92 | 4030011230 | S.CER GRM31M2C2H390JV01L | T | 50.8/79.6 |
| C101 | 4030006880 | S.CER C1608 JB 1H 472K-T | T | 10.8/84.1 |
| C102 | 4030006880 | S.CER C1608 JB 1H 472K-T | T | 73.5/83.6 |
| C103 | 4030011730 | S.CER GRM31M2C2H101JV01L | T | 26.1/91.3 |
| C104 | 4030011510 | S.CER GRM31M2C2H560JV01L | T | 31.8/91.3 |
| C105 | 4030012480 | S.CER GRM31M2C2H121JV01L | T | 50.7/88.2 |
| C106 | 4030011170 | S.CER GRM31M2C2H180JV01L | T | 50.7/93.1 |
| C107 | 4030011730 | S.CER GRM31M2C2H101JV01L | T | 64.3/87.9 |
| C108 | 4030006880 | S.CER C1608 JB 1H 472K-T | T | 76.6/85.7 |
| C109 | 4030012480 | S.CER GRM31M2C2H121JV01L | T | 48.4/88.2 |
| C110 | 4030011170 | S.CER GRM31M2C2H180JV01L | T | 24.0/91.3 |
| C111 | 4030011140 | S.CER GRM31M2C2H120JV01L | T | 29.7/88.2 |
| C121 | 4030006880 | S.CER C1608 JB 1H 472K-T | T | 11.8/65.8 |
| C122 | 4030006880 | S.CER C1608 JB 1H 472K-T | T | 86.4/62.9 |
| C123 | 4030011100 | S.CER GRM31M2C2H8R0DV01L | T | 67.5/62.2 |
| C124 | 4030011140 | S.CER GRM31M2C2H120JV01L | T | 45.1/72.2 |
| C126 | 4030011210 | S.CER GRM31M2C2H330JV01L | T | 67.5/68.1 |
| C127 | 4030011550 | S.CER GRM31M2C2H680JV01L | T | 69.8/64.4 |
| C128 | 4030011180 | S.CER GRM31M2C2H220JV01L | T | 33.9/66.2 |
| C129 | 4030006880 | S.CER C1608 JB 1H 472K-T | T | 88.6/65.5 |
| C130 | 4030011510 | S.CER GRM31M2C2H560JV01L | T | 31.8/66.2 |
| C132 | 4030011730 | S.CER GRM31M2C2H101JV01L | T | 50.2/68.7 |
| C133 | 4030011730 | S.CER GRM31M2C2H101JV01L | T | 52.3/68.7 |
| C136 | 4030011140 | S.CER GRM31M2C2H120JV01L | T | 69.8/69.4 |
| C142 | 4030011050 | S.CER GRM31M3C2H3R0CY21L | T | 33.4/35.6 |
| C143 | 4030011240 | S.CER GRM31M2C2H470JV01L | T | 28.7/30.1 |
| C145 | 4030011080 | S.CER GRM31M2C2H6R0DV01L | T | 25.3/31.7 |
| C146 | 4030011230 | S.CER GRM31M2C2H390JV01L | T | 30.8/30.1 |
| C147 | 4030011180 | S.CER GRM31M2C2H220JV01L | T | 37.4/38.2 |
| C148 | 4030011510 | S.CER GRM31M2C2H560JV01L | T | 56.1/28.8 |
| C149 | 4030011140 | S.CER GRM31M2C2H120JV01L | T | 66.4/35.5 |
| C150 | 4030011210 | S.CER GRM31M2C2H330JV01L | T | 54.0/28.8 |
| C151 | 4030011180 | S.CER GRM31M2C2H220JV01L | T | 71.9/35.5 |
| C152 | 4030011080 | S.CER GRM31M2C2H6R0DV01L | T | 74.0/35.5 |
| C153 | 4030011160 | S.CER GRM31M2C2H150JV01L | T | 18.0/34.9 |
| C154 | 4030011060 | S.CER GRM31M2C2H4R0CY21L | T | 68.5/35.5 |
| C156 | 4030006880 | S.CER C1608 JB 1H 472K-T | T | 87.3/40.1 |
| C157 | 4030006880 | S.CER C1608 JB 1H 472K-T | T | 4.0/47.4 |
| C158 | 4030006880 | S.CER C1608 JB 1H 472K-T | T | 86.5/45.6 |
| C159 | 4030006860 | S.CER C1608 JB 1H 102K-T | T | 79.0/94.4 |
| C160 | 4030006860 | S.CER C1608 JB 1H 102K-T | T | 82.6/94.4 |
| C161 | 4030006860 | S.CER C1608 JB 1H 102K-T | T | 81.4/94.4 |
| C162 | 4030006860 | S.CER C1608 JB 1H 102K-T | T | 76.6/94.4 |
| C163 | 4030006860 | S.CER C1608 JB 1H 102K-T | T | 75.3/94.4 |
| C164 | 4030006860 | S.CER C1608 JB 1H 102K-T | T | 77.8/94.4 |
| C165 | 4030006860 | S.CER C1608 JB 1H 102K-T | T | 80.2/94.4 |
| C166 | 4030006860 | S.CER C1608 JB 1H 102K-T | T | 86.5/86.7 |
| C167 | 4030006880 | S.CER C1608 JB 1H 472K-T | T | 4.0/52.2 |
| RL21 | 6330002020 | REL FTR-B4CA009Z | | |
| RL22 | 6330002020 | REL FTR-B4CA009Z | | |
| RL41 | 6330002020 | REL FTR-B4CA009Z | | |
| RL42 | 6330002020 | REL FTR-B4CA009Z | | |
| RL61 | 6330002020 | REL FTR-B4CA009Z | | |
| RL62 | 6330002020 | REL FTR-B4CA009Z | | |
| RL81 | 6330002020 | REL FTR-B4CA009Z | | |
| RL82 | 6330002020 | REL FTR-B4CA009Z | | |
| RL101 | 6330002020 | REL FTR-B4CA009Z | | |
| RL102 | 6330002020 | REL FTR-B4CA009Z | | |
| RL121 | 6330002020 | REL FTR-B4CA009Z | | |
| RL122 | 6330002020 | REL FTR-B4CA009Z | | |
| RL141 | 6330002020 | REL FTR-B4CA009Z | | |
| RL142 | 6330002020 | REL FTR-B4CA009Z | | |
| J9 | 6510028210 | CON SJ050010 (TMP-J01X-V6) | | |
| J10 | 6510028210 | CON SJ050010 (TMP-J01X-V6) | | |
| J11 | 6510019971 | S.CON 52808-1071 | T | 80.5/89.2 |

[LOGIC UNIT]

| REF NO. | PART NO. | DESCRIPTION | M. | H/V LOCATION |
|---------|------------|-------------------------|-------|--------------|
| IC1 | 1140015270 | S.IC M30302MAP-293GP | B | 61.7/48.2 |
| IC2 | 1130015560 | S.IC S-24C64CI-T8T1U3 | B | 97.2/33.2 |
| IC3 | 1110006260 | S.IC BD5242G-TR | B | 10.4/64.3 |
| IC5 | 1180000421 | S.IC TA78L05F (TE12RF) | B | 50.1/13.4 |
| IC6 | 1180001072 | S.IC TA7805F (TE16L1NQ) | B | 171.6/48.2 |
| IC7 | 1130013580 | S.IC LC75813T-E | B | 97.6/50.5 |
| IC100 | 1180002080 | S.REG BA09FP-E2 | B | 161.3/62.7 |
| IC101 | 1180001072 | S.IC TA7805F (TE16L1NQ) | B | 130.7/59.3 |
| IC103 | 1130005721 | S.IC TC7W04F (TE12LF) | T | 69.9/25.2 |
| IC1071 | 1110001811 | S.IC TA7368FG (5ER) | T | 130.0/6.0 |
| Q1 | 1590000680 | S.TRA DTC114EUA T106 | B | 174.7/16.0 |
| Q51 | 1560001290 | S.FET 2SK3065 T100 | B | 71.2/5.8 |
| Q70 | 1530004210 | S.TRA DSC7004S0L | B | 151.7/41.7 |
| Q71 | 1590000680 | S.TRA DTC114EUA T106 | B | 158.8/43.9 |
| Q72 | 1590000680 | S.TRA DTC114EUA T106 | B | 158.8/41.4 |
| Q102 | 1590004390 | S.TRA DMG504010R | T | 71.1/19.6 |
| Q103 | 1590000680 | S.TRA DTC114EUA T106 | T | 41.7/32.1 |
| Q104 | 1590000680 | S.TRA DTC114EUA T106 | T | 36.7/26.0 |
| Q106 | 1590001330 | S.TRA DTA114EUA T106 | T | 33.7/35.1 |
| Q211 | 1530002060 | S.TRA 2SC4081 T106 R | B | 19.2/36.0 |
| Q212 | 1590001330 | S.TRA DTA114EUA T106 | T | 39.4/26.7 |
| D1 | 1160000070 | S.DIO DAN202K T146 | B | 22.0/26.4 |
| D2 | 1790001251 | S.DIO MA2S1110GL | B | 50.3/34.4 |
| D30 | 1790001251 | S.DIO MA2S1110GL | T | 142.1/55.0 |
| D31 | 1160000070 | S.DIO DAN202K T146 | T | 160.2/55.2 |
| D32 | 1790001251 | S.DIO MA2S1110GL | T | 142.1/51.1 |
| D33 | 1160000070 | S.DIO DAN202K T146 | T | 160.2/46.2 |
| D34 | 1790001251 | S.DIO MA2S1110GL | T | 142.1/37.0 |
| D35 | 1160000070 | S.DIO DAN202K T146 | T | 160.2/37.2 |
| D36 | 1790001251 | S.DIO MA2S1110GL | T | 142.1/28.0 |
| D37 | 1160000070 | S.DIO DAN202K T146 | T | 160.2/28.2 |
| D38 | 1790001251 | S.DIO MA2S1110GL | T | 141.0/64.3 |
| D39 | 1160000070 | S.DIO DAN202K T146 | T | 154.5/64.4 |
| D40 | 1790001251 | S.DIO MA2S1110GL | T | 142.1/17.3 |
| D41 | 1790001251 | S.DIO MA2S1110GL | T | 143.4/17.3 |
| D42 | 1160000070 | S.DIO DAN202K T146 | T | 79.2/23.2 |
| D43 | 1790001251 | S.DIO MA2S1110GL | T | 82.7/13.4 |
| D44 | 1790001251 | S.DIO MA2S1110GL | T | 76.2/22.3 |
| D45 | 1790001251 | S.DIO MA2S1110GL | B | 45.8/29.8 |
| D46 | 1730002531 | S.ZEN NNCD6.2G-T1-A | B | 139.4/21.0 |
| D47 | 1790001251 | S.DIO MA2S1110GL | B | 31.9/33.9 |
| D48 | 1790001251 | S.DIO MA2S1110GL | B | 123.6/33.2 |
| | | | [#03] | |
| | | | [#05] | |
| | | | [#06] | |
| | | | [#07] | |
| | | | [#02] | |
| D49 | 1790001251 | S.DIO MA2S1110GL | B | 123.6/31.9 |
| | | | [#03] | |
| | | | [#05] | |
| | | | [#06] | |
| | | | [#07] | |
| | | | [#08] | |
| | | | [#09] | |
| | | | [#10] | |
| D50 | 1790001251 | S.DIO MA2S1110GL | B | 123.6/30.6 |
| | | | [#02] | |
| | | | [#03] | |
| | | | [#07] | |
| | | | [#09] | |
| | | | [#10] | |
| D51 | 1790001251 | S.DIO MA2S1110GL | B | 123.6/29.3 |
| | | | [#04] | |
| | | | [#06] | |
| | | | [#07] | |
| D52 | 1790001251 | S.DIO MA2S1110GL | B | 123.6/28.0 |
| | | | [#03] | |
| | | | [#06] | |
| | | | [#07] | |
| D53 | 1790001251 | S.DIO MA2S1110GL | B | 123.6/26.7 |
| | | | [#02] | |
| | | | [#03] | |
| | | | [#06] | |
| | | | [#07] | |
| | | | [#08] | |
| | | | [#09] | |
| | | | [#10] | |
| D54 | 1790001251 | S.DIO MA2S1110GL | B | 123.6/25.4 |
| | | | [#02] | |
| | | | [#03] | |
| | | | [#07] | |
| | | | [#09] | |
| | | | [#10] | |
| D55 | 1790001251 | S.DIO MA2S1110GL | B | 123.6/24.1 |
| | | | [#04] | |
| | | | [#06] | |
| | | | [#07] | |
| | | | [#08] | |
| | | | [#09] | |
| | | | [#10] | |
| D56 | 1160000070 | S.DIO DAN202K T146 | B | 22.0/32.4 |
| D57 | 1790001251 | S.DIO MA2S1110GL | B | 119.3/31.8 |
| | | | [#02] | |
| | | | [#03] | |
| | | | [#04] | |
| | | | [#07] | |
| | | | [#08] | |
| | | | [#09] | |
| | | | [#10] | |
| D58 | 1790001251 | S.DIO MA2S1110GL | B | 119.3/30.6 |
| D59 | 1790001251 | S.DIO MA2S1110GL | B | 119.3/29.3 |
| | | | [#03] | |
| | | | [#04] | |
| | | | [#05] | |
| | | | [#06] | |
| | | | [#07] | |
| | | | [#08] | |
| | | | [#09] | |
| | | | [#10] | |
| D61 | 1790001251 | S.DIO MA2S1110GL | B | 119.3/26.7 |
| D62 | 1790001251 | S.DIO MA2S1110GL | B | 119.3/25.4 |

Eqv.= This component is equivalent to the REF No. component listed above, and may be substituted on parts orders and repairs.

M.=Mounted side (T: Mounted on the Top side, B: Mounted on the Bottom side)
H/V LOCATION=See the BOARD LAYOUTS for details.

[LOGIC UNIT]

| REF NO. | PART NO. | DESCRIPTION | M. | H/V LOCATION |
|---------|------------|------------------------------|--------|--------------|
| D63 | 1790001251 | S.DIO MA2S1110GL | #02] B | 119.3/24.1 |
| | 1790001251 | S.DIO MA2S1110GL | #03] B | |
| | 1790001251 | S.DIO MA2S1110GL | #05] B | |
| | 1790001251 | S.DIO MA2S1110GL | #06] B | |
| | 1790001251 | S.DIO MA2S1110GL | #07] B | |
| | 1790001251 | S.DIO MA2S1110GL | #08] B | |
| | 1790001251 | S.DIO MA2S1110GL | #09] B | |
| | 1790001251 | S.DIO MA2S1110GL | #10] B | |
| D64 | 1790001251 | S.DIO MA2S1110GL | B | 116.7/24.1 |
| D80 | 1730002321 | S.ZEN MAZ8051GML | B | 159.3/38.6 |
| D81 | 1790001251 | S.DIO MA2S1110GL | B | 157.7/39.0 |
| D102 | 1790001251 | S.DIO MA2S1110GL | T | 73.0/18.2 |
| D104 | 1750000370 | S.DIO DA221 TL | T | 33.5/27.3 |
| D120 | 1750000370 | S.DIO DA221 TL | T | 35.9/43.9 |
| D121 | 1750000370 | S.DIO DA221 TL | T | 35.9/45.9 |
| D122 | 1750000370 | S.DIO DA221 TL | T | 35.4/38.6 |
| D123 | 1750000370 | S.DIO DA221 TL | T | 35.9/41.9 |
| D124 | 1750000370 | S.DIO DA221 TL | T | 35.6/29.5 |
| D125 | 1750000370 | S.DIO DA221 TL | T | 38.5/34.7 |
| D126 | 1750000370 | S.DIO DA221 TL | B | 30.3/31.5 |
| D180 | 1750000370 | S.DIO DA221 TL | T | 37.9/30.0 |
| D194 | 1750000370 | S.DIO DA221 TL | B | 27.3/32.7 |
| D211 | 1790001251 | S.DIO MA2S1110GL | B | 21.7/38.6 |
| X1 | 6050010501 | S.XTA CR-636A (14.7456 MHz) | B | 64.6/62.4 |
| L1 | 6200003261 | S.COI NLV32T-101J-PF | B | 46.0/33.1 |
| L2 | 6200003261 | S.COI NLV32T-101J-PF | T | 66.4/13.0 |
| L3 | 6200002041 | S.COI NLV25T-101J-PF | T | 72.8/13.0 |
| L40 | 6200003261 | S.COI NLV32T-101J-PF | B | 136.9/17.4 |
| L41 | 6200002041 | S.COI NLV25T-101J-PF | B | 56.3/5.7 |
| L42 | 6200002041 | S.COI NLV25T-101J-PF | B | 56.3/3.2 |
| L70 | 6200003261 | S.COI NLV32T-101J-PF | T | 30.2/35.7 |
| L100 | 6200003261 | S.COI NLV32T-101J-PF | T | 67.8/29.5 |
| L105 | 6200003261 | S.COI NLV32T-101J-PF | B | 160.8/27.6 |
| L1073 | 6200003261 | S.COI NLV32T-101J-PF | B | 123.8/36.5 |
| R1 | 7030003860 | S.RES ERJ3GE JPW V | B | 87.0/49.0 |
| R2 | 7030003630 | S.RES ERJ3GEYJ 393 V (39 k) | B | 87.0/51.6 |
| R3 | 7030003630 | S.RES ERJ3GEYJ 393 V (39 k) | B | 87.0/54.2 |
| R4 | 7030003630 | S.RES ERJ3GEYJ 393 V (39 k) | B | 85.1/54.7 |
| R5 | 7030005671 | S.RES ERA3YKD 393V (39 k) | B | 85.3/58.8 |
| R6 | 7030003680 | S.RES ERJ3GEYJ 104 V (100 k) | B | 85.3/60.1 |
| R7 | 7030003440 | S.RES ERJ3GEYJ 102 V (1 k) | B | 170.5/16.2 |
| R18 | 7030006220 | S.RES ERJ12YJ470U (47) | B | 45.7/13.6 |
| R19 | 7030010250 | S.RES ERJ1TYJ 0R00U | B | 159.8/49.9 |
| R20 | 7030003640 | S.RES ERJ3GEYJ 473 V (47 k) | B | 17.9/64.0 |
| R21 | 7030003630 | S.RES ERJ3GEYJ 393 V (39 k) | B | 14.0/63.6 |
| R22 | 7030003560 | S.RES ERJ3GEYJ 103 V (10 k) | B | 13.9/65.4 |
| R24 | 7030003560 | S.RES ERJ3GEYJ 103 V (10 k) | B | 96.5/29.4 |
| R25 | 7030003600 | S.RES ERJ3GEYJ 223 V (22 k) | B | 96.5/30.7 |
| R31 | 7030003640 | S.RES ERJ3GEYJ 473 V (47 k) | B | 50.2/33.1 |
| R36 | 7030003640 | S.RES ERJ3GEYJ 473 V (47 k) | T | 143.4/55.1 |
| R37 | 7030003640 | S.RES ERJ3GEYJ 473 V (47 k) | T | 143.4/51.1 |
| R38 | 7030003640 | S.RES ERJ3GEYJ 473 V (47 k) | T | 143.4/37.1 |
| R39 | 7030003640 | S.RES ERJ3GEYJ 473 V (47 k) | T | 143.4/28.1 |
| R40 | 7030003640 | S.RES ERJ3GEYJ 473 V (47 k) | T | 142.3/64.3 |
| R41 | 7030003640 | S.RES ERJ3GEYJ 473 V (47 k) | T | 144.7/17.4 |
| R42 | 7030003640 | S.RES ERJ3GEYJ 473 V (47 k) | T | 81.2/21.5 |
| R43 | 7030003640 | S.RES ERJ3GEYJ 473 V (47 k) | T | 76.3/21.5 |
| R49 | 7030003720 | S.RES ERJ3GEYJ 224 V (220 k) | B | 139.9/18.6 |
| R51 | 7030003440 | S.RES ERJ3GEYJ 102 V (1 k) | B | 21.8/34.8 |
| R52 | 7030003480 | S.RES ERJ3GEYJ 222 V (2.2 k) | B | 21.8/30.1 |
| R53 | 7030003480 | S.RES ERJ3GEYJ 222 V (2.2 k) | B | 19.1/30.1 |
| R54 | 7030003720 | S.RES ERJ3GEYJ 224 V (220 k) | B | 142.5/20.7 |
| R55 | 7030003520 | S.RES ERJ3GEYJ 472 V (4.7 k) | B | 19.1/31.4 |
| R56 | 7030003440 | S.RES ERJ3GEYJ 102 V (1 k) | B | 72.3/8.9 |
| R57 | 7030003560 | S.RES ERJ3GEYJ 103 V (10 k) | B | 74.6/6.5 |
| R59 | 7030003560 | S.RES ERJ3GEYJ 103 V (10 k) | T | 41.7/28.1 |
| R60 | 7030003440 | S.RES ERJ3GEYJ 102 V (1 k) | B | 152.8/26.9 |
| R61 | 7030003440 | S.RES ERJ3GEYJ 102 V (1 k) | B | 154.8/26.9 |
| R62 | 7030003480 | S.RES ERJ3GEYJ 222 V (2.2 k) | B | 29.3/33.1 |
| R63 | 7030003480 | S.RES ERJ3GEYJ 222 V (2.2 k) | B | 29.3/34.3 |
| R64 | 7030003440 | S.RES ERJ3GEYJ 102 V (1 k) | B | 156.8/26.9 |
| R66 | 7030003440 | S.RES ERJ3GEYJ 102 V (1 k) | B | 139.9/17.3 |
| R67 | 7030003440 | S.RES ERJ3GEYJ 102 V (1 k) | B | 142.5/22.0 |
| R70 | 7030003380 | S.RES ERJ3GEYJ 331 V (330) | B | 155.9/40.9 |
| R71 | 7030003370 | S.RES ERJ3GEYJ 271 V (270) | B | 155.9/44.8 |
| R72 | 7030003430 | S.RES ERJ3GEYJ 821 V (820) | B | 155.9/43.5 |
| R73 | 7030003530 | S.RES ERJ3GEYJ 562 V (5.6 k) | B | 155.9/42.2 |
| R74 | 7030003440 | S.RES ERJ3GEYJ 102 V (1 k) | B | 155.9/46.1 |
| R75 | 7030009800 | S.RES ERJ12YJ121U (120) | B | 142.9/44.0 |
| R76 | 7030003440 | S.RES ERJ3GEYJ 102 V (1 k) | T | 19.2/24.5 |
| R77 | 7030003440 | S.RES ERJ3GEYJ 102 V (1 k) | T | 18.4/26.7 |
| R78 | 7030003440 | S.RES ERJ3GEYJ 102 V (1 k) | T | 18.4/32.7 |
| R79 | 7030003440 | S.RES ERJ3GEYJ 102 V (1 k) | T | 18.4/29.7 |
| R80 | 7030003420 | S.RES ERJ3GEYJ 681 V (680) | B | 156.4/39.0 |
| R81 | 7030009800 | S.RES ERJ12YJ121U (120) | B | 146.6/44.0 |
| R82 | 7030009800 | S.RES ERJ12YJ121U (120) | B | 139.1/44.0 |
| R100 | 7030003680 | S.RES ERJ3GEYJ 104 V (100 k) | T | 70.4/29.6 |
| R101 | 7030003680 | S.RES ERJ3GEYJ 104 V (100 k) | T | 71.7/29.6 |
| R102 | 7030003680 | S.RES ERJ3GEYJ 104 V (100 k) | T | 67.9/20.8 |
| R103 | 7030003590 | S.RES ERJ3GEYJ 183 V (18 k) | T | 69.2/20.8 |
| R104 | 7030003540 | S.RES ERJ3GEYJ 682 V (6.8 k) | T | 67.9/18.2 |
| R105 | 7030003620 | S.RES ERJ3GEYJ 333 V (33 k) | T | 71.0/17.4 |
| R106 | 7030003640 | S.RES ERJ3GEYJ 473 V (47 k) | T | 71.1/21.6 |
| R107 | 7030003600 | S.RES ERJ3GEYJ 223 V (22 k) | B | 7.6/32.7 |
| R108 | 7030003380 | S.RES ERJ3GEYJ 331 V (330) | T | 33.4/37.5 |
| R109 | 7030010500 | S.RES ERJ1TYJ 2R2U | B | 155.1/55.6 |
| R110 | 7030010250 | S.RES ERJ1TYJ 0R00U | B | 142.6/54.8 |
| R113 | 7030003860 | S.RES ERJ3GE JPW V | T | 73.2/21.9 |

[LOGIC UNIT]

| REF NO. | PART NO. | DESCRIPTION | M. | H/V LOCATION |
|---------|------------|------------------------------|----|--------------|
| R114 | 7030003440 | S.RES ERJ3GEYJ 102 V (1 k) | T | 33.9/25.6 |
| R115 | 7030003800 | S.RES ERJ3GEYJ 105 V (1 M) | T | 31.4/26.4 |
| R126 | 7030003360 | S.RES ERJ3GEYJ 221 V (220) | T | 38.8/42.3 |
| R127 | 7030003360 | S.RES ERJ3GEYJ 221 V (220) | T | 38.8/40.9 |
| R151 | 7030003360 | S.RES ERJ3GEYJ 221 V (220) | T | 41.4/42.5 |
| R152 | 7030003360 | S.RES ERJ3GEYJ 221 V (220) | T | 41.4/41.2 |
| R153 | 7030003640 | S.RES ERJ3GEYJ 473 V (47 k) | T | 30.0/58.9 |
| R154 | 7030003360 | S.RES ERJ3GEYJ 221 V (220) | B | 29.6/29.3 |
| R155 | 7030003360 | S.RES ERJ3GEYJ 221 V (220) | T | 41.4/43.8 |
| R156 | 7030003360 | S.RES ERJ3GEYJ 221 V (220) | T | 41.4/45.1 |
| R157 | 7030003360 | S.RES ERJ3GEYJ 221 V (220) | T | 33.2/29.5 |
| R158 | 7030003360 | S.RES ERJ3GEYJ 221 V (220) | B | 31.0/29.3 |
| R159 | 7030003360 | S.RES ERJ3GEYJ 221 V (220) | B | 33.6/29.3 |
| R162 | 7030003640 | S.RES ERJ3GEYJ 473 V (47 k) | T | 35.2/56.4 |
| R163 | 7030003440 | S.RES ERJ3GEYJ 102 V (1 k) | B | 40.0/30.3 |
| R169 | 7030003360 | S.RES ERJ3GEYJ 221 V (220) | B | 32.3/29.3 |
| R171 | 7030003360 | S.RES ERJ3GEYJ 221 V (220) | B | 34.4/54.8 |
| R172 | 7030003360 | S.RES ERJ3GEYJ 221 V (220) | B | 36.9/50.7 |
| R173 | 7030006571 | S.RES ERA3YED 392V (3.9 k) | T | 39.2/39.0 |
| R174 | 7030006101 | S.RES ERA3YED 183V (18 k) | T | 37.5/32.9 |
| R175 | 7030003360 | S.RES ERJ3GEYJ 221 V (220) | T | 28.7/58.9 |
| R176 | 7030003360 | S.RES ERJ3GEYJ 221 V (220) | B | 35.6/50.3 |
| R177 | 7030003360 | S.RES ERJ3GEYJ 221 V (220) | B | 34.3/50.3 |
| R180 | 7030003640 | S.RES ERJ3GEYJ 473 V (47 k) | T | 39.5/29.8 |
| R181 | 7030003640 | S.RES ERJ3GEYJ 473 V (47 k) | T | 35.5/40.2 |
| R182 | 7030003640 | S.RES ERJ3GEYJ 473 V (47 k) | T | 35.3/37.0 |
| R183 | 7030003440 | S.RES ERJ3GEYJ 102 V (1 k) | T | 35.4/31.1 |
| R197 | 7030003480 | S.RES ERJ3GEYJ 222 V (2.2 k) | B | 21.8/28.7 |
| R198 | 7030003480 | S.RES ERJ3GEYJ 222 V (2.2 k) | B | 19.8/28.0 |
| R199 | 7030003520 | S.RES ERJ3GEYJ 472 V (4.7 k) | B | 18.6/26.6 |
| R201 | 7030003440 | S.RES ERJ3GEYJ 102 V (1 k) | B | 21.7/24.0 |
| R202 | 7030003440 | S.RES ERJ3GEYJ 102 V (1 k) | B | 52.8/33.1 |
| R203 | 7030003440 | S.RES ERJ3GEYJ 102 V (1 k) | B | 56.1/37.6 |
| R204 | 7030003440 | S.RES ERJ3GEYJ 102 V (1 k) | B | 57.2/34.3 |
| R205 | 7030003440 | S.RES ERJ3GEYJ 102 V (1 k) | B | 57.5/37.3 |
| R206 | 7030003440 | S.RES ERJ3GEYJ 102 V (1 k) | B | 58.7/34.7 |
| R207 | 7030003440 | S.RES ERJ3GEYJ 102 V (1 k) | B | 60.0/37.3 |
| R211 | 7030003640 | S.RES ERJ3GEYJ 473 V (47 k) | B | 21.7/37.3 |
| R212 | 7030003360 | S.RES ERJ3GEYJ 221 V (220) | B | 33.0/50.3 |
| R213 | 7030003520 | S.RES ERJ3GEYJ 472 V (4.7 k) | B | 23.6/36.8 |
| R214 | 7030003620 | S.RES ERJ3GEYJ 333 V (33 k) | B | 21.7/36.0 |
| R215 | 7030003580 | S.RES ERJ3GEYJ 153 V (15 k) | B | 19.1/34.0 |
| R216 | 7030003440 | S.RES ERJ3GEYJ 102 V (1 k) | T | 76.2/24.1 |
| R217 | 7030003440 | S.RES ERJ3GEYJ 102 V (1 k) | T | 83.0/23.4 |
| R218 | 7030003440 | S.RES ERJ3GEYJ 102 V (1 k) | T | 83.0/24.7 |
| R219 | 7030003440 | S.RES ERJ3GEYJ 102 V (1 k) | T | 83.0/26.0 |
| R220 | 7030003440 | S.RES ERJ3GEYJ 102 V (1 k) | T | 83.0/27.3 |
| R221 | 7030003440 | S.RES ERJ3GEYJ 102 V (1 k) | T | 83.0/28.6 |
| R227 | 7030003200 | S.RES ERJ3GEYJ 100 V (10) | B | 137.0/21.3 |
| R228 | 7030003360 | S.RES ERJ3GEYJ 221 V (220) | T | 39.8/55.6 |
| R229 | 7030003360 | S.RES ERJ3GEYJ 221 V (220) | T | 32.5/58.9 |
| R230 | 7030003360 | S.RES ERJ3GEYJ 221 V (220) | T | 33.8/58.9 |
| R231 | 7030003360 | S.RES ERJ3GEYJ 221 V (220) | T | 35.1/58.9 |
| R232 | 7030003360 | S.RES ERJ3GEYJ 221 V (220) | T | 36.4/58.9 |
| R233 | 7030003360 | S.RES ERJ3GEYJ 221 V (220) | T | 37.7/58.9 |
| R234 | 7030003360 | S.RES ERJ3GEYJ 221 V (220) | T | 42.7/55.4 |
| R235 | 7030003360 | S.RES ERJ3GEYJ 221 V (220) | T | 38.5/55.6 |
| R236 | 7030003360 | S.RES ERJ3GEYJ 221 V (220) | B | 40.1/55.4 |
| R237 | 7030003360 | S.RES ERJ3GEYJ 221 V (220) | B | 44.0/55.4 |
| R238 | 7030003360 | S.RES ERJ3GEYJ 221 V (220) | B | 38.8/55.4 |
| R239 | 7030003860 | S.RES ERJ3GE JPW V | T | 38.8/43.5 |
| R301 | 7030003640 | S.RES ERJ3GEYJ 473 V (47 k) | B | 75.9/53.4 |
| R302 | 7030003640 | S.RES ERJ3GEYJ 473 V (47 k) | B | 81.6/55.8 |
| R303 | 7030003640 | S.RES ERJ3GEYJ 473 V (47 k) | B | 81.6/54.5 |
| R304 | 7030003640 | S.RES ERJ3GEYJ 473 V (47 k) | B | 74.6/53.4 |
| R305 | 7030003560 | S.RES ERJ3GEYJ 103 V (10 k) | B | 72.7/64.1 |
| R306 | 7030003680 | S.RES ERJ3GEYJ 104 V (100 k) | B | 75.3/64.1 |
| R307 | 7030003640 | S.RES ER | | |

[LOGIC UNIT]

[VR-A UNIT]

| REF NO. | PART NO. | DESCRIPTION | M. | H/V LOCATION |
|---------|------------|-------------------------------|----|--------------|
| C25 | 4030011600 | S.CER C1608 JB 1E 104K-T | B | 61.3/37.3 |
| C26 | 4030017490 | S.CER C1608 JB 1A 105K-T | B | 51.5/52.2 |
| C27 | 4030011600 | S.CER C1608 JB 1E 104K-T | B | 63.7/59.1 |
| C28 | 4030017490 | S.CER C1608 JB 1A 105K-T | B | 51.5/54.8 |
| C44 | 4030006880 | S.CER C1608 JB 1H 472K-T | B | 151.5/26.9 |
| C45 | 4030006880 | S.CER C1608 JB 1H 472K-T | B | 155.5/28.7 |
| C47 | 4030006880 | S.CER C1608 JB 1H 472K-T | B | 66.1/3.4 |
| C49 | 4030006880 | S.CER C1608 JB 1H 472K-T | B | 158.1/28.7 |
| C50 | 4030006880 | S.CER C1608 JB 1H 472K-T | B | 25.7/32.6 |
| C70 | 4030006880 | S.CER C1608 JB 1H 472K-T | T | 15.6/29.6 |
| C71 | 4030006880 | S.CER C1608 JB 1H 472K-T | T | 16.9/33.9 |
| C72 | 4030006880 | S.CER C1608 JB 1H 472K-T | T | 15.6/28.3 |
| C73 | 4030006880 | S.CER C1608 JB 1H 472K-T | T | 16.0/25.8 |
| C74 | 4030017490 | S.CER C1608 JB 1A 105K-T | B | 155.1/39.0 |
| C101 | 4030011600 | S.CER C1608 JB 1E 104K-T | T | 66.5/26.5 |
| C102 | 4030006880 | S.CER C1608 JB 1H 472K-T | T | 36.5/27.9 |
| C103 | 4030012610 | S.CER C2012 JB 1C 474K-T | T | 66.2/23.4 |
| C104 | 4030011600 | S.CER C1608 JB 1E 104K-T | B | 138.1/60.8 |
| C105 | 4030011600 | S.CER C1608 JB 1E 104K-T | B | 155.8/61.3 |
| C106 | 4030019490 | S.CER C2012 JB 1A 106K-T | B | 139.8/61.3 |
| C107 | 4030011600 | S.CER C1608 JB 1E 104K-T | B | 155.8/64.2 |
| C108 | 4030019490 | S.CER C2012 JB 1A 106K-T | B | 136.5/54.5 |
| C109 | 4030019490 | S.CER C2012 JB 1A 106K-T | B | 154.1/63.4 |
| C110 | 4030011600 | S.CER C1608 JB 1E 104K-T | B | 138.1/57.9 |
| C158 | 4030017490 | S.CER C1608 JB 1A 105K-T | B | 39.7/37.4 |
| C170 | 4030006880 | S.CER C1608 JB 1H 472K-T | B | 23.6/23.6 |
| C171 | 4030006880 | S.CER C1608 JB 1H 472K-T | T | 39.2/37.7 |
| C172 | 4030018910 | S.CER C1608 JB 0J 475K-T | T | 38.4/36.4 |
| C211 | 4030006880 | S.CER C1608 JB 1H 472K-T | B | 19.1/32.7 |
| C212 | 4030011600 | S.CER C1608 JB 1E 104K-T | B | 19.1/38.5 |
| C1071 | 4030011600 | S.CER C1608 JB 1E 104K-T | T | 127.9/14.6 |
| C1072 | 4510009700 | S.ELE EEEFK1C101P | B | 128.3/19.3 |
| C1073 | 4510009820 | S.ELE EEEFK1C470P | B | 129.2/5.1 |
| C1074 | 4510009820 | S.ELE EEEFK1C470P | B | 129.2/12.2 |
| J1 | 6510018971 | S.CON B4B-PH-SM4-TB (LF) (SN) | B | 140.8/29.5 |
| J3 | 6510019971 | S.CON 52808-1071 | B | 157.3/22.7 |
| J4 | 6510019971 | S.CON 52808-1071 | B | 61.1/7.7 |
| J5 | 6510019971 | S.CON 52808-1071 | B | 9.4/29.2 |
| J101 | 6510024151 | S.CON 50FY-BMT-TB (LF) (SN) | B | 39.3/25.8 |
| J102 | 6510024151 | S.CON 50FY-BMT-TB (LF) (SN) | B | 39.3/61.0 |
| J301 | 6510019971 | S.CON 52808-1071 | B | 77.2/59.5 |
| DS1 | 5030003090 | LCD S11325 | T | 172.6/14.3 |
| DS2 | 5040003710 | S.LED KP-2012SYCK | T | 61.6/49.2 |
| DS70 | 5040003710 | S.LED KP-2012SYCK | T | 53.1/49.2 |
| DS71 | 5040003710 | S.LED KP-2012SYCK | T | 53.1/59.2 |
| DS73 | 5040003710 | S.LED KP-2012SYCK | T | 61.6/59.2 |
| DS74 | 5040003710 | S.LED KP-2012SYCK | T | 70.1/59.2 |
| DS76 | 5040003710 | S.LED KP-2012SYCK | T | 70.1/49.2 |
| DS77 | 5040003710 | S.LED KP-2012SYCK | T | 78.6/59.2 |
| DS79 | 5040003710 | S.LED KP-2012SYCK | T | 78.6/49.2 |
| DS80 | 5040003710 | S.LED KP-2012SYCK | T | 87.1/59.2 |
| DS82 | 5040003710 | S.LED KP-2012SYCK | T | 87.1/49.2 |
| DS83 | 5040003710 | S.LED KP-2012SYCK | T | 95.6/59.2 |
| DS85 | 5040003710 | S.LED KP-2012SYCK | T | 95.6/49.2 |
| DS86 | 5040003710 | S.LED KP-2012SYCK | T | 104.1/59.2 |
| DS88 | 5040003710 | S.LED KP-2012SYCK | T | 104.1/49.2 |
| DS89 | 5040003710 | S.LED KP-2012SYCK | T | |
| EP2 | 8930076650 | LCD SRCN-3015-SP-N-W (SHJ) | | |
| EP4 | 6910012350 | S.BEA MMZ1608Y 102BT | B | 63.8/15.0 |
| EP5 | 6910012350 | S.BEA MMZ1608Y 102BT | T | 12.5/24.9 |
| EP6 | 6910012350 | S.BEA MMZ1608Y 102BT | B | 21.6/21.4 |
| EP45 | 6910012350 | S.BEA MMZ1608Y 102BT | B | 57.3/10.2 |
| EP46 | 6910012350 | S.BEA MMZ1608Y 102BT | B | 57.3/8.3 |
| EP47 | 6910018930 | S.BEA MPZ2012S601A | T | 41.9/23.3 |
| EP48 | 6910018930 | S.BEA MPZ2012S601A | T | 41.9/21.5 |
| EP49 | 6910018930 | S.BEA MPZ2012S601A | B | 41.1/21.2 |
| EP50 | 6910018930 | S.BEA MPZ2012S601A | B | 45.6/21.0 |
| EP51 | 6910018930 | S.BEA MPZ2012S601A | B | 65.5/7.5 |
| EP52 | 6910018930 | S.BEA MPZ2012S601A | B | 65.5/11.2 |
| EP53 | 6910018930 | S.BEA MPZ2012S601A | B | 8.8/25.3 |
| EP54 | 6910018930 | S.BEA MPZ2012S601A | B | 66.4/4.9 |
| EP55 | 6910018930 | S.BEA MPZ2012S601A | B | 43.0/21.0 |

| REF NO. | PART NO. | DESCRIPTION | M. | H/V LOCATION |
|---------|------------|-------------------------|----|--------------|
| R1 | 7210002910 | VAR RV-310 (10KB/10KB) | | |
| R2 | 7210002960 | VAR RV-313 (10KB/10KB) | | |
| J1 | 6510026670 | S.CON IMSA-6281S-06Y900 | T | 21.7/5.1 |

Eqv.= This component is equivalent to the REF No. component listed above, and may be substituted on parts orders and repairs.

M.=Mounted side (T: Mounted on the Top side, B: Mounted on the Bottom side)
H/V LOCATION=See the BOARD LAYOUTS for details.

[VR-B UNIT]

| REF NO. | PART NO. | DESCRIPTION | M. | H/V LOCATION |
|---------|------------|------------------------------|----|--------------|
| J1 | 6510020711 | S.CON 52793-1070 | T | 9.2/2.4 |
| S1 | 2250000640 | ENC TP96D96E20-22F-10KB-3015 | | |

[MIC UNIT]

| REF NO. | PART NO. | DESCRIPTION | M. | H/V LOCATION |
|---------|------------|--------------------|----|--------------|
| J1 | 6510000191 | CON FM214-8SS(P)-1 | | |
| J2 | 6510019971 | S.CON 52808-1071 | B | 18.1/6.5 |

Eqv.= This component is equivalent to the REF No. component listed above, and may be substituted on parts orders and repairs.

M.=Mounted side (T: Mounted on the Top side, B: Mounted on the Bottom side)
H/V LOCATION=See the BOARD LAYOUTS for details.

[PHONE UNIT]

| REF NO. | PART NO. | DESCRIPTION | M. | H/V LOCATION |
|---------|------------|----------------------------|----|--------------|
| R1 | 7030006070 | S.RES ERJ12YJ101U (100) | T | 24.6/5.0 |
| R2 | 7030006070 | S.RES ERJ12YJ101U (100) | T | 24.6/10.1 |
| R3 | 7030003440 | S.RES ERJ3GEYJ 102 V (1 k) | T | 23.1/12.6 |
| C1 | 4030006880 | S.CER C1608 JB 1H 472K-T | B | 27.7/9.6 |
| C2 | 4030006880 | S.CER C1608 JB 1H 472K-T | T | 23.1/2.5 |
| C3 | 4030006880 | S.CER C1608 JB 1H 472K-T | T | 23.1/13.9 |
| J1 | 6510027890 | CON 01J0370-00 | | |
| J2 | 6510019971 | S.CON 52808-1071 | B | 26.6/4.0 |
| EP1 | 6910014690 | S.BEA MPZ1608S221A-T | B | 29.2/8.1 |

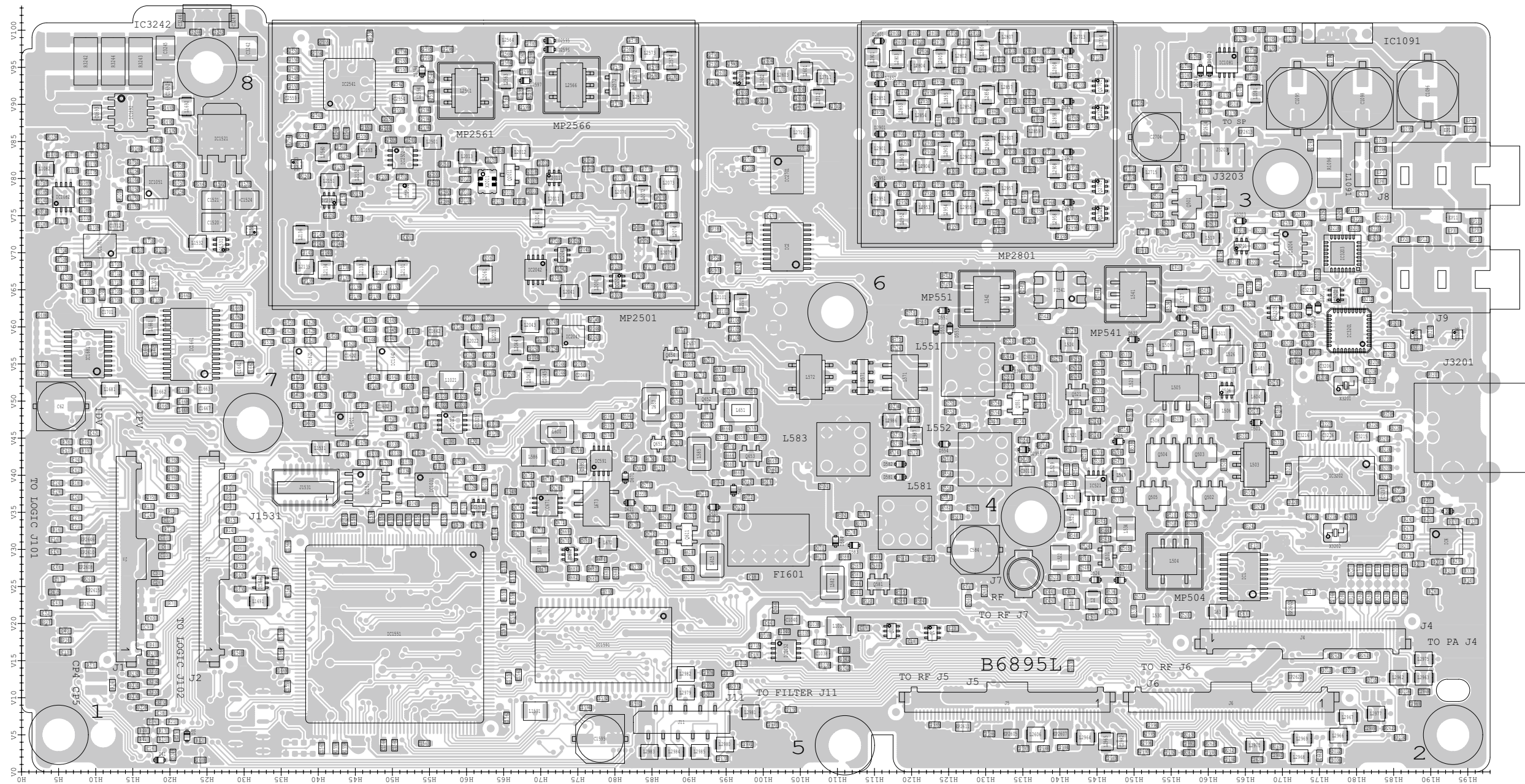
Eqv.= This component is equivalent to the REF No. component listed above, and may be substituted on parts orders and repairs.

M.=Mounted side (T: Mounted on the Top side, B: Mounted on the Bottom side)
H/V LOCATION=See the BOARD LAYOUTS for details.

BOARD LAYOUT

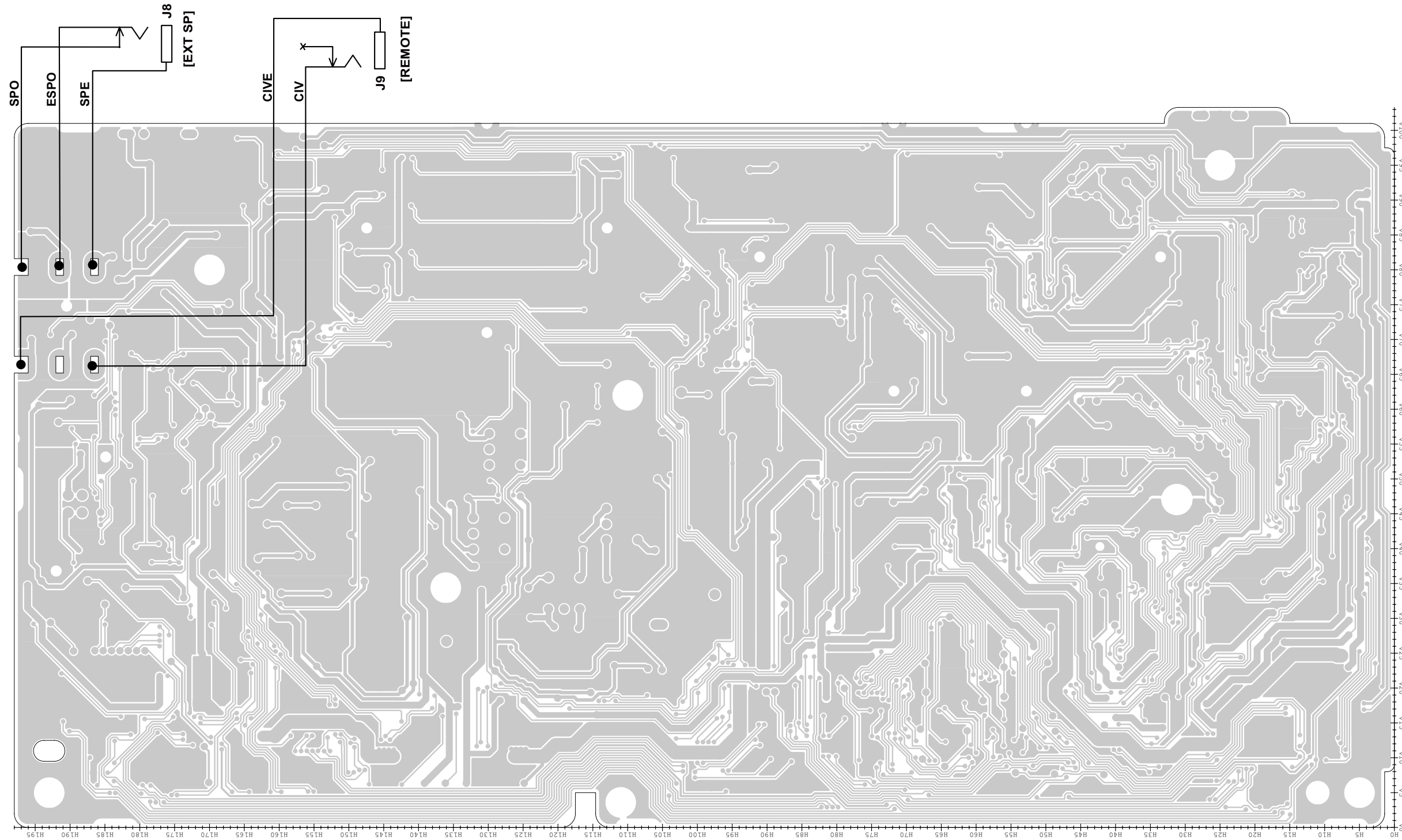
The actual configuration of the PC board can be seen by viewing the top and bottom BOARD LAYOUT pages together.

• MAIN UNIT B-6895L (Top view)



The actual configuration of the PC board can be seen by viewing the top and bottom BOARD LAYOUT pages together.

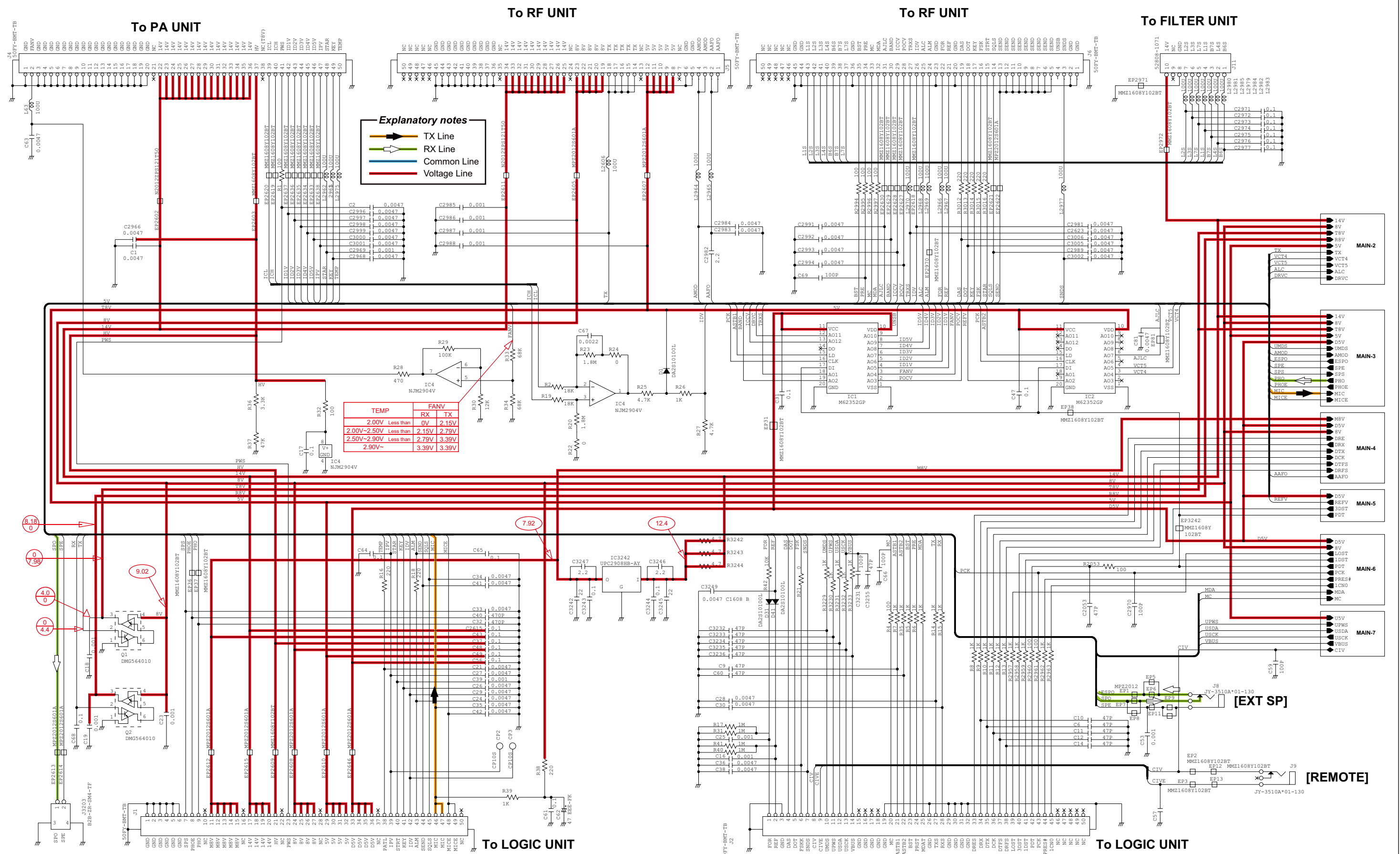
• MAIN UNIT B-6895L (Bottom view)



See the PARTS LIST H/V location on the PARTS LIST for location details.

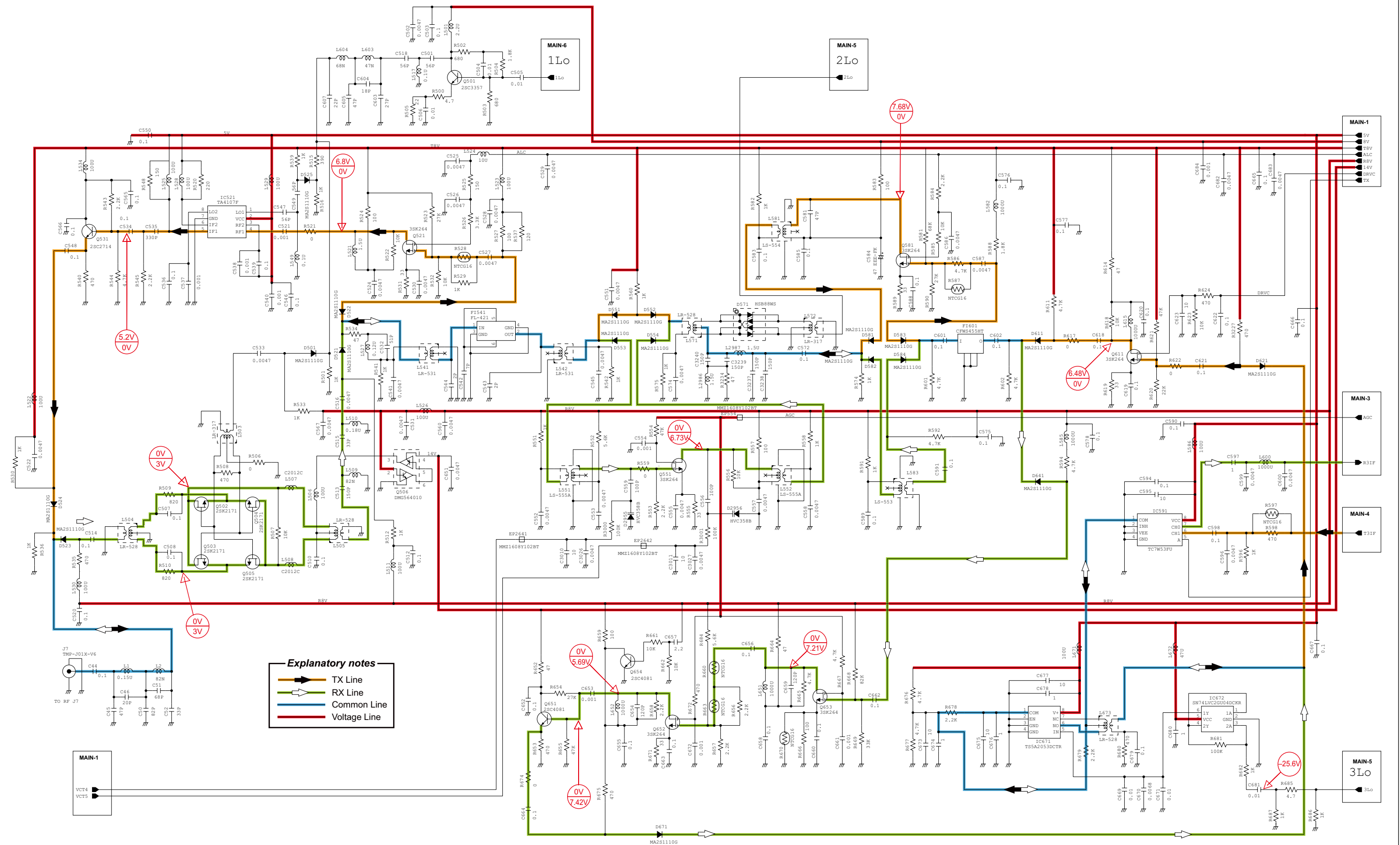
VOLTAGE DIAGRAM

• MAIN UNIT (1/7)



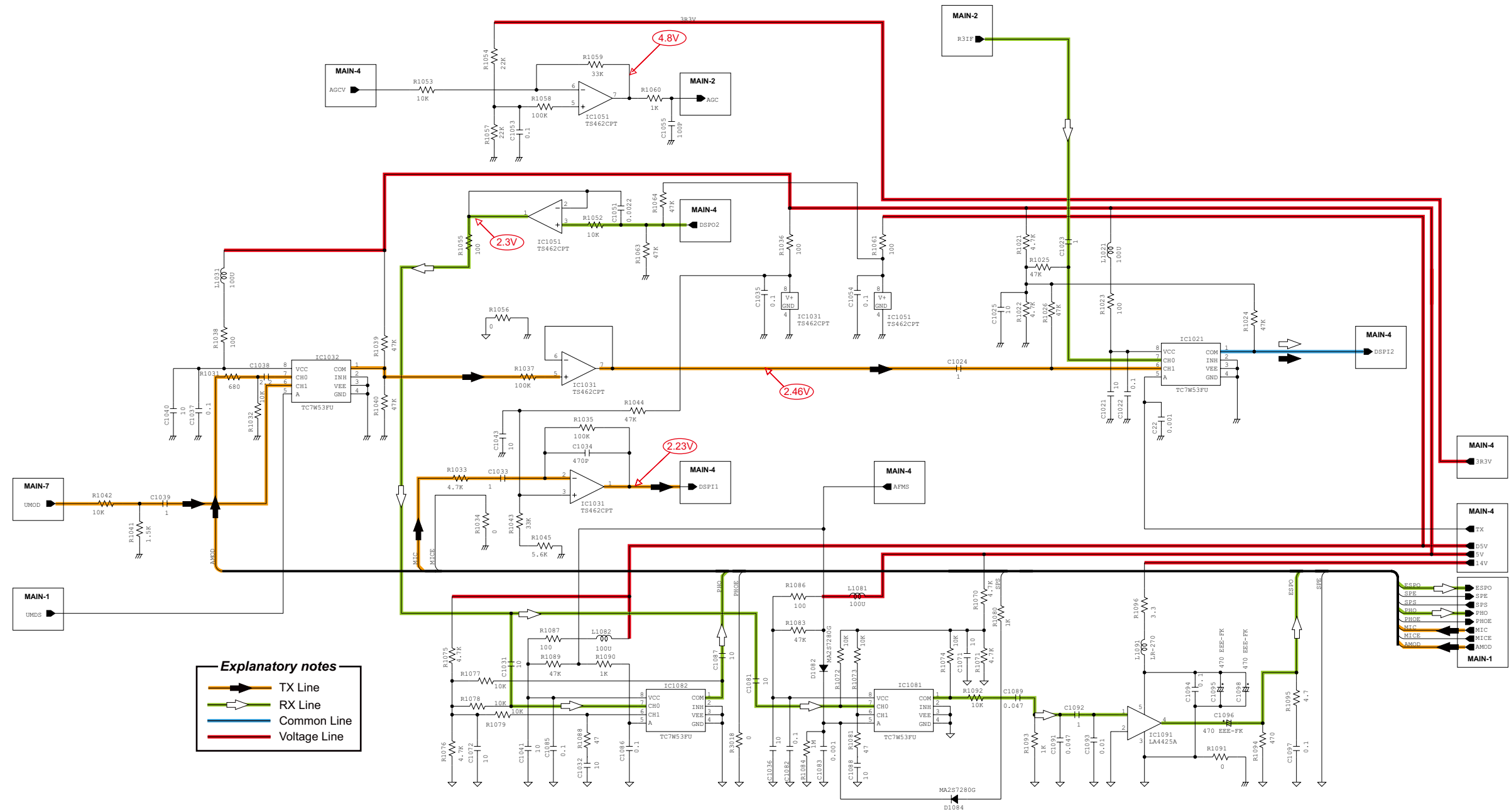
*: Refer to the PARTS LIST for the value and name of component.

• MAIN UNIT (2/7)



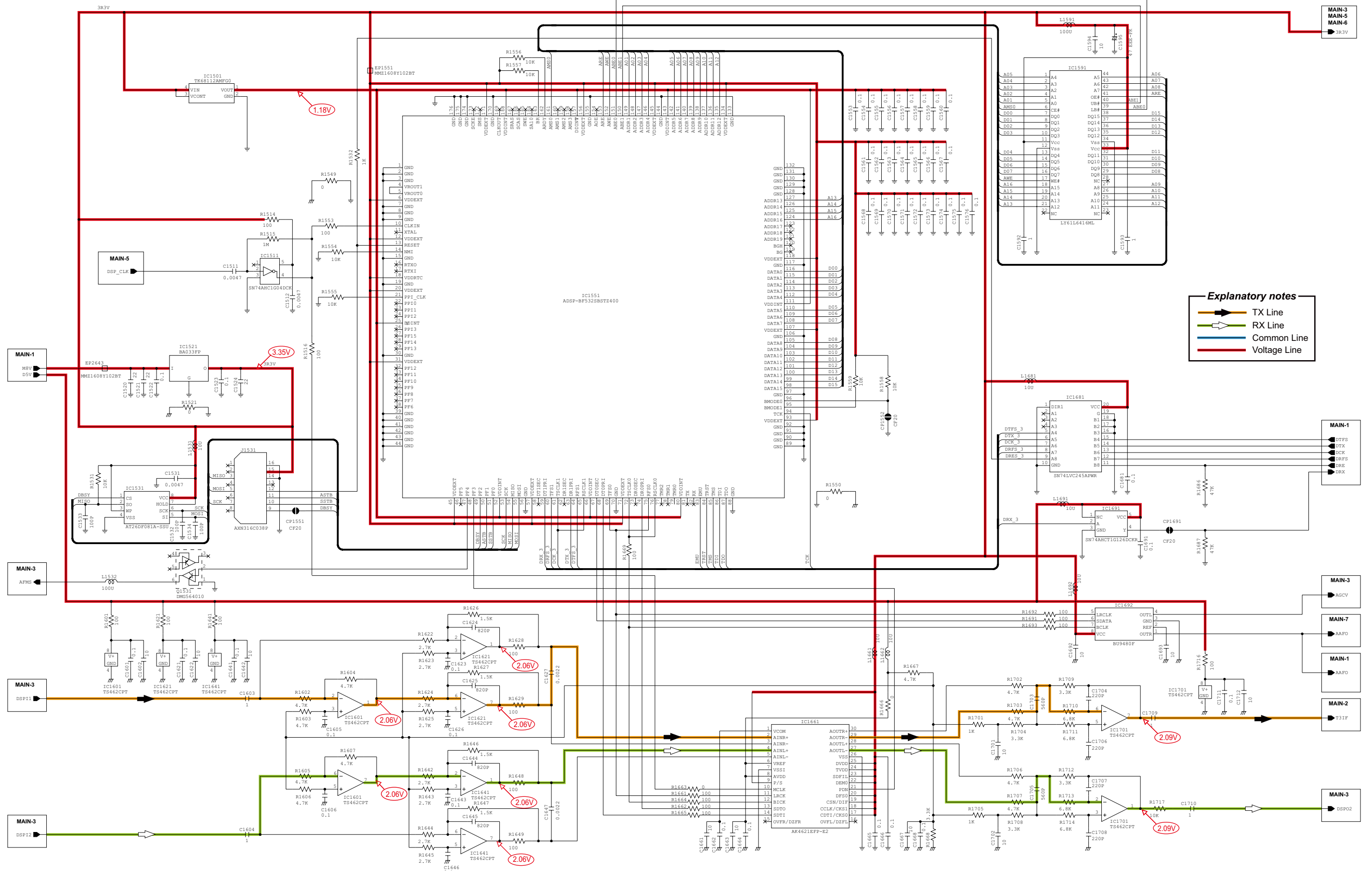
*: Refer to the PARTS LIST for the value and name of component.

• MAIN UNIT (3/7)



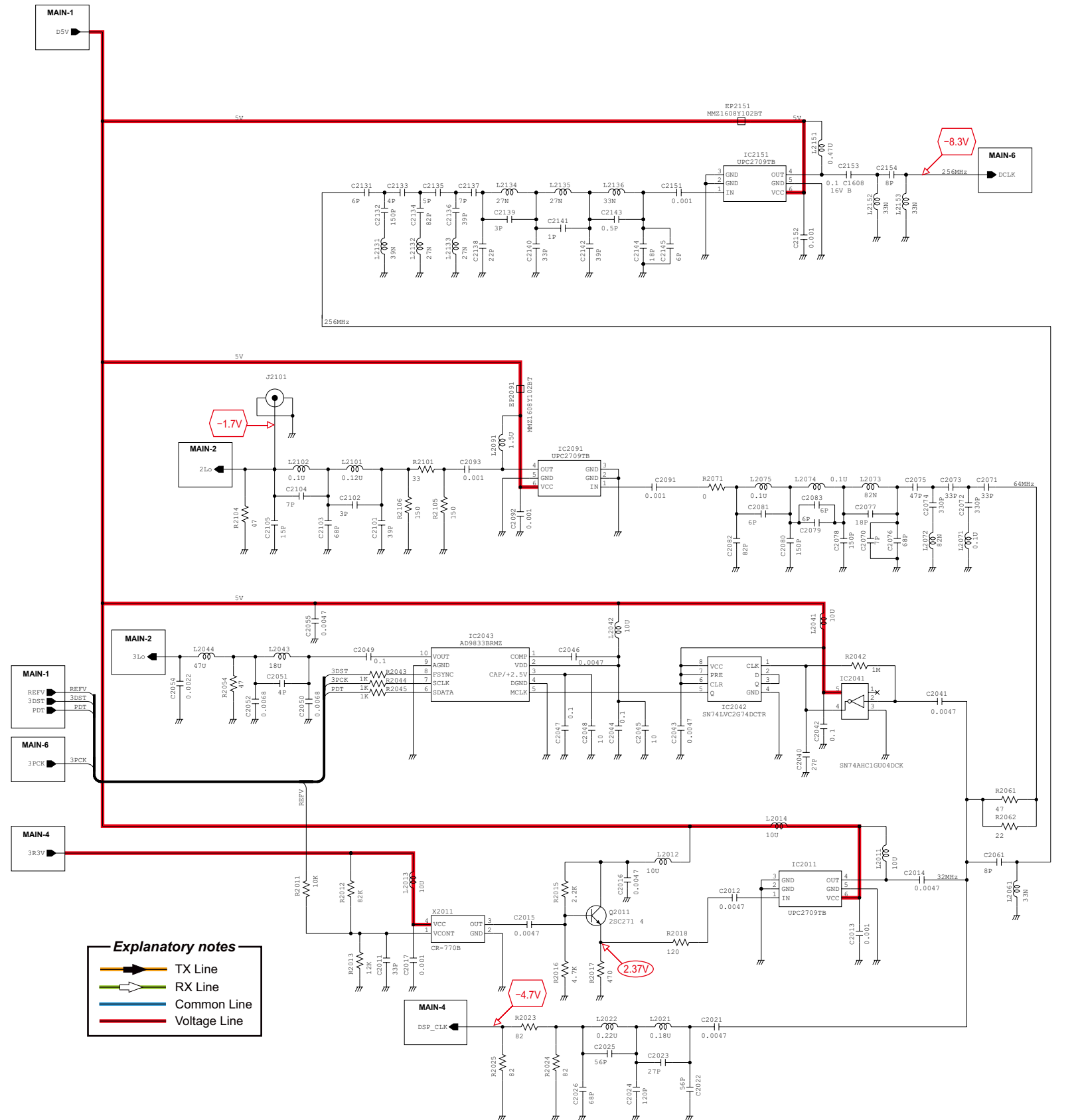
*: Refer to the PARTS LIST for the value and name of component.

• MAIN UNIT (4/7)



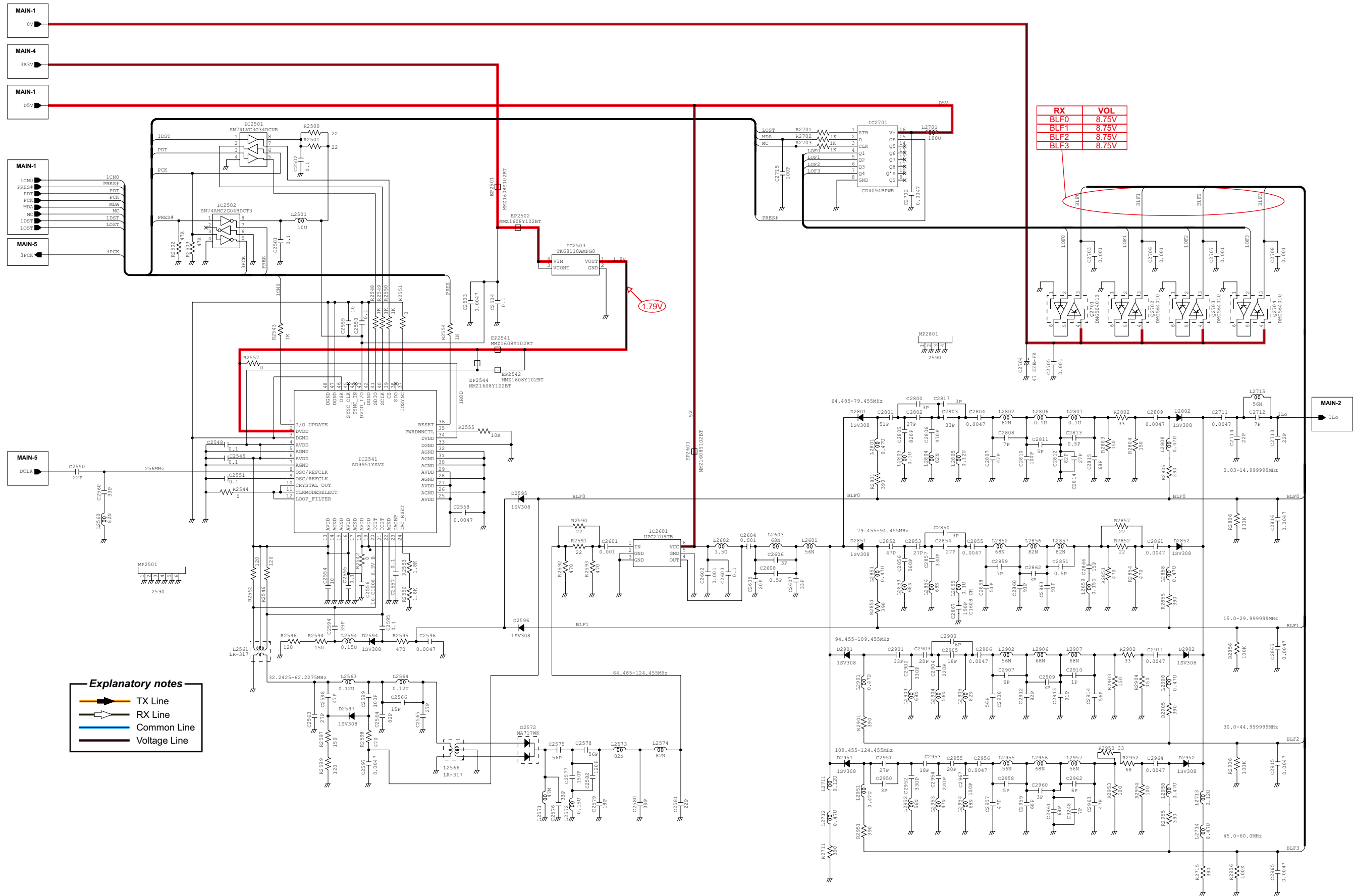
*: Refer to the PARTS LIST for the value and name of component.

• MAIN UNIT (5/7)



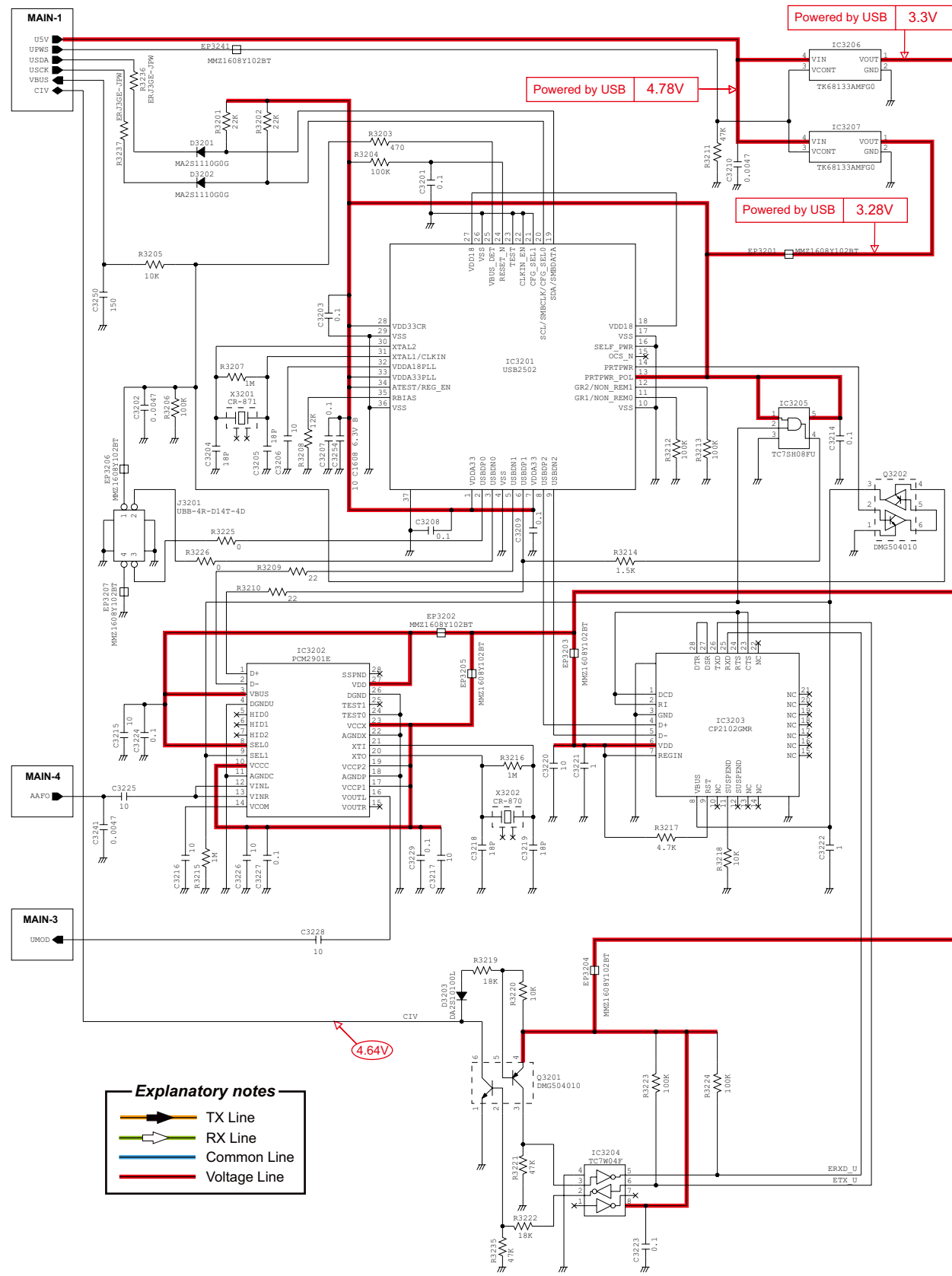
*: Refer to the PARTS LIST for the value and name of component.

• MAIN UNIT (6/7)



*: Refer to the PARTS LIST for the value and name of component.

• MAIN UNIT (7/7)



*: Refer to the PARTS LIST for the value and name of component.

July 2013



SERVICE MANUAL ADDENDUM

IC-7200

CONTENTS

| | |
|--------------------------|-------------|
| REPLACEMENT PAGES: | 6-1 and 6-2 |
| ADDITIONAL PAGES: | |
| PARTS LIST | 1 |
| BOARD LAYOUTS | 19 |
| VOLTAGE DIAGRAM | 21 |

SECTION 6 MECHANICAL PARTS

[CHASSIS] (C)

| REF NO. | ORDER NO. | DESCRIPTION | QTY. |
|---------|------------|---------------------------------------|------------|
| W1** | 8900014720 | OPC-909A (P1N10L110) | 1 |
| W5** | 8900017870 | OPC-1887 (P0.5N50L140) | 1 |
| W6** | 8900017870 | OPC-1887 (P0.5N50L140) | 1 |
| W7** | 8900017870 | OPC-1887 (P0.5N50L140) | 1 |
| W8** | 8900017870 | OPC-1887 (P0.5N50L140) | 1 |
| W9** | 8900017870 | OPC-1887 (P0.5N50L140) | 1 |
| W10** | 8970024292 | 1.5DCOAXIAL150MM-2 C31/C31 | 1 |
| W12** | 8970024292 | 1.5DCOAXIAL150MM-2 C31/C31 | 1 |
| W14** | 8970024292 | 1.5DCOAXIAL150MM-2 C31/C31 | 1 |
| W16** | 8970024292 | 1.5DCOAXIAL150MM-2 C31/C31 | 1 |
| J1* | 6510028410 | MR-DS-01-1 <GA> | 1 |
| MF1 | 2710000811 | FD124010HB-1N7-1 (120) <USE> 2 | 1 |
| MF2 | 2710000811 | FD124010HB-1N7-1 (120) <USE> 2 | 1 |
| MP1 | 8010021071 | 3015 CHASSIS-1 | 1 |
| MP2 | 8110009510 | 3015 L-COVER | 1 |
| MP3 | 8110009500 | 3015 U-COVER | 1 |
| MP4 | 8930075130 | 3015 L-PACKING (TOT) | 1 |
| MP5 | 8930075140 | 3015 U-PACKING (TOT) | 1 |
| MP6 | 8930075590 | 3015 ANT PLATE Y1090 | 1 |
| MP7 | 8510018690 | 3015 MAIN COVER | 1 |
| MP8 | 8510018700 | 3015 PA COVER | 1 |
| MP9 | 8930042690 | RUBBER LEG (L) (FF-024-A4) | 2 |
| MP10 | 8930075100 | 3015 STAND HOLDER | 2 |
| MP11 | 8930074520 | 3015 STAND | 1 |
| MP12 | 8810008661 | PHBT M3 X 8 NI-ZC3 | 5 |
| MP13 | 8810008661 | PHBT M3 X 8 NI-ZC3 | 5 |
| MP14 | 8810008661 | PHBT M3 X 8 NI-ZC3 | 5 |
| MP15 | 8810008661 | PHBT M3 X 8 NI-ZC3 | 8 |
| MP16 | 8810008661 | PHBT M3 X 8 NI-ZC3 | 2 |
| MP17 | 8810010491 | PH M3 X15 ZK3 | 7 |
| MP18 | 8810010491 | PH M3 X15 ZK3 | 7 |
| MP19 | 8810004431 | PH M3 X 6 ZK3 | 4 |
| MP20 | 8810004431 | PH M3 X 6 ZK3 | 4 |
| MP21 | 8810003171 | SET SCREWA M3 X 8 ZC3 | 6 |
| MP24 | 8810009991 | PHBT M3 X 8 NI-ZK3 | 2 |
| MP25 | 8930076070 | 3015 BUSH (TOT) | 1 |
| MP26 | 8930076080 | 3015 A-NET | 1 |
| MP27 | 8930076090 | 3015 FAN HOLDER | 1 |
| MP28 | 8810008661 | PHBT M3 X 8 NI-ZC3 | 4 |
| MP29 | 8810004301 | PH M3 X10 ZK3 | 4 |
| MP30 | 8810009371 | PHBT M3 X12 NI-ZK3 | 4 |
| MP31 | 8820000530 | FLANGE BOLT M4 X 8 NI | 1 |
| MP32 | 8850000140 | FLAT WASHER M 4 NI BS | 2 |
| MP33 | 8850000430 | S-WASHER M 4 NI | 1 |
| MP34 | 8930075810 | SPONGE (KB) | 1 |
| MP35 | 8930075810 | SPONGE (KB) | 1 |
| MP36 | 8930047070 | SPONGE (FQ) | 1 |
| MP37 | 8930049770 | SPONGE (GF) 25X15X1 | 1 |
| MP38 | 8930049770 | SPONGE (GF) 25X15X1 | 1 |
| MP39 | 8930071840 | HIMELON SHEET (CT) | 1 |
| MP40 | 8930079060 | 3073 DC PLATE | 1 |
| MP42 | 8930077680 | 3015 PA EARTH SPRING | [EUR] 1 |
| | 8930077680 | 3015 PA EARTH SPRING | [FRA] 1 |
| | 8930077680 | 3015 PA EARTH SPRING | [ITR] 1 |
| | 8930077680 | 3015 PA EARTH SPRING | [ESP] 1 |
| | 8930077680 | 3015 PA EARTH SPRING | [EUR-01] 1 |
| MP43 | 8930048971 | SHIELD TAPE (C)-1 | [EUR] 2 |
| | 8930048971 | SHIELD TAPE (C)-1 | [FRA] 2 |
| | 8930048971 | SHIELD TAPE (C)-1 | [ITR] 2 |
| | 8930048971 | SHIELD TAPE (C)-1 | [ESP] 2 |
| | 8930048971 | SHIELD TAPE (C)-1 | [EUR-01] 2 |
| MP121 | 8930068260 | THERMAL SHEET (AV)TC500HS-1.4 (20X35) | 1 |
| MP1091 | 8930049600 | 2240 IC CLIP Y458 | 1 |
| MP3242 | 8930078200 | 3015 IC CLIP Y1138 | 1 |

[MAIN UNIT] (M)

| REF NO. | ORDER NO. | DESCRIPTION | QTY. |
|---------|------------|--|------------|
| J1* | 6510024151 | 50FY-BMT-TB (LF) (SN) | 1 |
| J2* | 6510024151 | 50FY-BMT-TB (LF) (SN) | 1 |
| J4* | 6510024151 | 50FY-BMT-TB (LF) (SN) | 1 |
| J5* | 6510024151 | 50FY-BMT-TB (LF) (SN) | 1 |
| J6* | 6510024151 | 50FY-BMT-TB (LF) (SN) | 1 |
| J7* | 6510028210 | SJ050010 (TMP-J01X-V6) | 1 |
| J8* | 6450000140 | HSJ0807-01-010 | 1 |
| J9* | 6450000140 | HSJ0807-01-010 | 1 |
| J11* | 6510019971 | 52808-1071 | 1 |
| J1531* | 6510025840 | AXN316C038P | 1 |
| J3201 | 6510026540 | UBB-4R-D14T-4D (LF) (SN) | 1 |
| J3203* | 6510014961 | B2B-ZR-SM4-TF (LF) (SN) | 1 |
| EP504* | 6910002161 | CASE-BM7H-LF | 1 |
| EP541* | 6910002161 | CASE-BM7H-LF | 1 |
| EP551* | 6910002161 | CASE-BM7H-LF | 1 |
| EP2561* | 6910002161 | CASE-BM7H-LF | 1 |
| EP2566* | 6910002161 | CASE-BM7H-LF | 1 |
| MP1 | 8930077690 | 3015 MAIN EARTH SPRING | [USA] 1 |
| | 8930077690 | 3015 MAIN EARTH SPRING | [EUR] 1 |
| | 8930077690 | 3015 MAIN EARTH SPRING | [FRA] 1 |
| | 8930077690 | 3015 MAIN EARTH SPRING | [ITR] 1 |
| | 8930077690 | 3015 MAIN EARTH SPRING | [ESP] 1 |
| | 8930077690 | 3015 MAIN EARTH SPRING | [EUR-01] 1 |
| MP551 | 8930076610 | 3015 LS SPRING | 1 |
| MP581 | 8930057870 | 2429 EARTH SPRING | 1 |
| MP582 | 8930056211 | SHIELD SPONGE (G)-1 | 1 |
| MP1521 | 8930070510 | THERMAL SHEET (BF)TC-600HS-1.4 (14.5X) | 1 |
| MP2501* | 8510015770 | 2590 DSP CASE Y688 | 1 |
| MP2541 | 8930070510 | THERMAL SHEET (BF)TC-600HS-1.4 (14.5X) | 1 |
| MP2801* | 8510015880 | 2590 S2LO CASE Y694 | 1 |
| MP3201 | 8930068000 | SHIELD SPONGE (AT) | [USA] 1 |
| | 8930068000 | SHIELD SPONGE (AT) | [EUR] 1 |
| | 8930068000 | SHIELD SPONGE (AT) | [FRA] 1 |
| | 8930068000 | SHIELD SPONGE (AT) | [ITR] 1 |
| | 8930068000 | SHIELD SPONGE (AT) | [ESP] 1 |
| | 8930068000 | SHIELD SPONGE (AT) | [EUR-01] 1 |
| MP3202 | 8930080480 | FERRITE SHEET (AC) 1 | 1 |

[RF UNIT] (RF)

| REF NO. | ORDER NO. | DESCRIPTION | QTY. |
|---------|------------|------------------------|------|
| J5* | 6510024151 | 50FY-BMT-TB (LF) (SN) | 1 |
| J6* | 6510024151 | 50FY-BMT-TB (LF) (SN) | 1 |
| J7 | 6510028210 | SJ050010 (TMP-J01X-V6) | 1 |
| J8 | 6510028210 | SJ050010 (TMP-J01X-V6) | 1 |
| J10 | 6510028210 | SJ050010 (TMP-J01X-V6) | 1 |
| J501 | 6450001641 | TCS5044-0141177 | 1 |
| J502 | 6450001130 | JPJ2042-01-110 | 1 |
| J503 | 6510023900 | LGR4619-7000 | 1 |
| MP1 | 8930075430 | 3015 ANT SPRING Y1091 | 1 |
| MP2* | 8930065741 | 2590 D-EARTH SPRING-1 | 1 |

[PA UNIT] (PA)

| REF NO. | ORDER NO. | DESCRIPTION | QTY. |
|---------|------------|---------------------------------------|------------|
| WS1 | 8600036641 | SX2242 J12*13PA-1 50MM | 1 |
| J4* | 6510024151 | 50FY-BMT-TB (LF) (SN) | 1 |
| J8 | 6510028210 | SJ050010 (TMP-J01X-V6) | 1 |
| J9 | 6510028210 | SJ050010 (TMP-J01X-V6) | 1 |
| J131* | 6510014961 | B2B-ZR-SM4-TF (LF) (SN) | 1 |
| J132* | 6510014961 | B2B-ZR-SM4-TF (LF) (SN) | 1 |
| F1 | 5220000400 | FHA010-01F | 1 |
| F2 | 5210000940 | 1205 | 1 |
| W40 | 8900018211 | OPC-1942A | [USA] 1 |
| | 8900018220 | OPC-1943 | [EUR] 1 |
| | 8900018220 | OPC-1943 | [FRA] 1 |
| | 8900018220 | OPC-1943 | [ITR] 1 |
| | 8900018220 | OPC-1943 | [ESP] 1 |
| | 8900018220 | OPC-1943 | [EUR-01] 1 |
| | 8900017860 | OPC-1857 | [KOR] 1 |
| | 8900017860 | OPC-1857 | [CHN] 1 |
| | 8900017860 | OPC-1857 | [EXP] 1 |
| MP4 | 8930075440 | 3015 RUG SPRING Y1115 | 1 |
| MP5 | 8930075440 | 3015 RUG SPRING Y1115 | 1 |
| MP39 | 8930073470 | THERMAL SHEET (BK)TC400HS-1.4 (24*29) | 1 |

*: Refer to "BOARD LAYOUTS" for the location.

** : Refer to "GENERAL WIRING" for the connection

Screw abbreviations A, B0, BT: Self-tapping PH: Pan head ZK: Black NI-ZU: Nickel-Zinc SUS: Stainless

[FILTER UNIT] (F)

| REF NO. | ORDER NO. | DESCRIPTION | QTY. |
|---------|------------|-------------------------------------|------|
| J9* | 6510028210 | SJ050010 (TMP-J01X-V6) | 1 |
| J10* | 6510028210 | SJ050010 (TMP-J01X-V6) | 1 |
| J11* | 6510019971 | 52808-1071 | 1 |
| MP121* | 8930039612 | THERMAL SHEET (C)-2 TC100HS (10X10) | 1 |
| MP122* | 8930039612 | THERMAL SHEET (C)-2 TC100HS (10X10) | 1 |

[FRONT UNIT] (L)

| REF NO. | ORDER NO. | DESCRIPTION | QTY. |
|---------|------------|---------------------------------------|------------|
| MP1 | 8210024860 | 3015 FRONT PANEL ASSEMBLY | 1 |
| MP21 | 8010021141 | 3015 SUB CHASSIS ASSEMBLY-1 | 1 |
| MP32 | 8610013750 | KNOB N-366 ASSEMBLY | 1 |
| SP1 | 2510001480 | 4050P0802 | 1 |
| W1 | 8900014720 | OPC-909A (P1N10L110) | 1 |
| W2 | 8900014740 | OPC-885A (P1N10L39) | 1 |
| W3 | 8900014740 | OPC-885A (P1N10L39) | 1 |
| W4 | 8900018190 | OPC-1892A | [USA] 1 |
| | 8900018200 | OPC-1941 | [EUR] 1 |
| | 8900018200 | OPC-1941 | [FRA] 1 |
| | 8900018200 | OPC-1941 | [ITR] 1 |
| | 8900018200 | OPC-1941 | [ESP] 1 |
| | 8900018200 | OPC-1941 | [EUR-01] 1 |
| | 8900018190 | OPC-1892A | [KOR] 1 |
| | 8900018190 | OPC-1892A | [CHN] 1 |
| | 8900018190 | OPC-1892A | [EXP] 1 |
| EP1 | 0880001360 | EX-2500 SENSOR | 1 |
| EP3 | 6450001230 | HLJ0999-01-480 SNAP PLATE | 1 |
| MP3 | 8830003210 | 3015 HEX NUT | 2 |
| MP5 | 8610013671 | KNOB N-375-1 | 1 |
| MP6 | 8610013610 | KNOB N-367 | 1 |
| MP7 | 8610013621 | KNOB N-368-1 | 1 |
| MP8 | 8610013630 | KNOB N-369 | 1 |
| MP9 | 8610013640 | KNOB N-370 | 1 |
| MP10 | 8610013651 | KNOB N-371-1 | 1 |
| MP11 | 8930075120 | 3015 FRONT PACKING (TOT) | 1 |
| MP12 | 8930074990 | 3015 17-KEY (SC) | 1 |
| MP13 | 8930075000 | 3015 6-KEY (SC) | 1 |
| MP15 | 8930076520 | 3015 A-VR RUBBER (TOT) | 1 |
| MP16 | 8820001490 | 3015 CAP SCREW | 8 |
| MP17 | 8930076510 | 3015 VR RUBBER (TOT) | 1 |
| MP18 | 8930074540 | O-RING (BU) | 1 |
| MP19 | 8930074350 | O-RING (BW) (TOP) | 8 |
| MP20 | 8930075160 | 3015 LENS (TOT) | 1 |
| MP26 | 8930075150 | 3015 CONNECTOR SEAL (TOT) | 1 |
| MP27 | 8810008661 | PHBT M3 X 8 NI-ZC3 | 6 |
| MP28 | 8810008661 | PHBT M3 X 8 NI-ZC3 | 6 |
| MP33 | 8930021220 | SPONGE (CP) | 1 |
| MP34 | 8930071830 | HIMELON SHEET (CS) | 1 |
| MP35 | 8930070300 | SPONGE (JD) | 1 |
| MP36 | 8930021220 | SPONGE (CP) | 1 |
| MP37 | 8930067980 | SHIELD SPONGE (AS) | [EUR] 1 |
| | 8930067980 | SHIELD SPONGE (AS) | [FRA] 1 |
| | 8930067980 | SHIELD SPONGE (AS) | [ITR] 1 |
| | 8930067980 | SHIELD SPONGE (AS) | [ESP] 1 |
| | 8930067980 | SHIELD SPONGE (AS) | [EUR-01] 1 |
| MP38 | 8930078390 | THERMAL SHEET (BQ) TC350HS-1.4 (8X20) | 1 |

[LOGIC UNIT] (L)

| REF NO. | ORDER NO. | DESCRIPTION | QTY. |
|---------|------------|-------------------------|------|
| J1* | 6510018971 | B4B-PH-SM4-TB (LF) (SN) | 1 |
| J3* | 6510019971 | 52808-1071 | 1 |
| J4* | 6510019971 | 52808-1071 | 1 |
| J5* | 6510019971 | 52808-1071 | 1 |
| J101* | 6510024151 | 50FY-BMT-TB (LF) (SN) | 1 |
| J102* | 6510024151 | 50FY-BMT-TB (LF) (SN) | 1 |
| J301* | 6510019971 | 52808-1071 | 1 |
| DS1 | 5030003090 | S11325 <SUC> | 1 |
| EP2 | 8930076650 | SRCN-3015-SP-N-W (SHJ) | 2 |
| MP1 | 8210024710 | 3015 REFLECTOR | 1 |
| MP2 | 8930074390 | 3015 LCD HOLDER | 1 |
| MP3 | 8930075470 | 3015 LCD FILTER | 1 |

[VR-A UNIT] (VA)

| REF NO. | ORDER NO. | DESCRIPTION | QTY. |
|---------|------------|-------------------|------|
| J1* | 6510026670 | IMSA-6281S-06Y900 | 1 |

[VR-B UNIT] (VB)

| REF NO. | ORDER NO. | DESCRIPTION | QTY. |
|---------|------------|--------------------------|------|
| J1* | 6510020711 | 52793-1070 (1090) | 1 |
| S1 | 2250000640 | TP96D96E20-22F-10KB-3015 | 1 |

[MIC UNIT] (M)

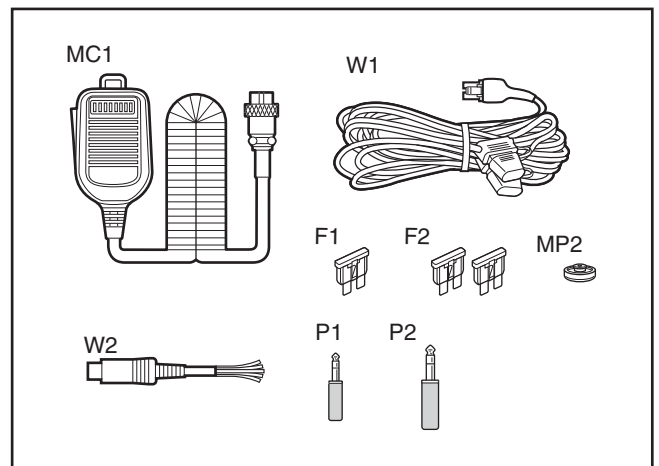
| REF NO. | ORDER NO. | DESCRIPTION | QTY. |
|---------|------------|-----------------|------|
| J1 | 6510000191 | FM214-8SS (P)-1 | 1 |
| J2* | 6510019971 | 52808-1071 | 1 |

[PHONE UNIT] (P)

| REF NO. | ORDER NO. | DESCRIPTION | QTY. |
|---------|------------|-------------|------|
| J1 | 6510027890 | 01J0370-00 | 1 |
| J2* | 6510019971 | 52808-1071 | 1 |

[ACCESSORIES]

| REF NO. | ORDER NO. | DESCRIPTION | QTY. |
|---------|------------|---------------------|------|
| P1 | 5610000410 | AP-319 | 1 |
| P2 | 5610000420 | AP-338 (BK1) | 1 |
| F1 | 5210000840 | ATC-30 | 2 |
| F2 | 5210000940 | 1205 | 1 |
| MC1 | (Optional) | HM-36-1 | 1 |
| W1 | 8900021450 | OPC-1457-1 | 1 |
| W2 | 8900006110 | OPC-596 | 1 |
| MP2 | 8930076480 | 3015 JACK CAP (TOT) | 1 |



*: Refer to "BOARD LAYOUTS" for the location.

** : Refer to "GENERAL WIRING" for the connection

Screw abbreviations A, B0, BT: Self-tapping PH: Pan head ZK: Black NI-ZU: Nickel-Zinc SUS: Stainless

PARTS LIST

[MAIN UNIT]

| REF NO. | PARTS NO. | DESCRIPTION | M. | H/V LOCATION |
|---------|------------|----------------------------------|----|--------------|
| IC1 | 1110004310 | S.IC M62352GP 75EC | T | 17.3/40.6 |
| IC2 | 1110004310 | S.IC M62352GP 75EC | T | 6.5/23.0 |
| IC4 | 1110003800 | S.IC NJM2904V-TE1-#FMZB | T | 192.1/31.1 |
| IC521 | 1110005461 | S.IC TA4107F(TE12LF) | T | 144.9/38.6 |
| IC591 | 1130008511 | S.IC TC7W53FU(TE12LF) | T | 78.2/42.0 |
| IC671 | 1130014270 | S.IC TS5A2053DCTR | T | 70.9/36.0 |
| IC672 | 1130014260 | S.IC SN74LVC2GU04DCKR | T | 73.9/29.3 |
| IC1021 | 1130008511 | S.IC TC7W53FU(TE12LF) | T | 58.1/47.1 |
| IC1031 | 1110006570 | S.IC TS462CPT | T | 55.3/38.7 |
| IC1032 | 1130008511 | S.IC TC7W53FU(TE12LF) | T | 103.1/16.4 |
| IC1051 | 1110006570 | S.IC TS462CPT | T | 18.2/79.5 |
| IC1081 | 1130008511 | S.IC TC7W53FU(TE12LF) | T | 162.5/95.7 |
| IC1082 | 1130008511 | S.IC TC7W53FU(TE12LF) | T | 5.7/77.5 |
| IC1091 | 1110003091 | IC LA4425A-E | | |
| IC1501 | 1180003230 | S.REG TK68112AMFG0L | T | 31.0/73.0 |
| IC1511 | 1130012600 | S.IC SN74AHC1G04DCKR | T | 61.6/35.7 |
| IC1521 | 1180002020 | S.REG BA033FP-E2 | T | 27.0/84.7 |
| IC1531 | 1130014952 | S.IC AT26DF081A-SSU (SX-3015B-2) | T | 46.6/38.3 |
| IC1551 | 1140013590 | S.IC ADSP-BF532SBSTZ400 <FE> | T | 50.3/18.6 |
| IC1591 | 1130013560 | S.IC LY6L16416ML-15 | T | 78.5/17.1 |
| IC1601 | 1110006570 | S.IC TS462CPT | T | 44.5/46.9 |
| IC1621 | 1110006570 | S.IC TS462CPT | T | 38.9/55.7 |
| IC1641 | 1110006570 | S.IC TS462CPT | T | 50.1/55.7 |
| IC1661 | 1190003250 | S.IC AK4621EFP-E2 | T | 22.9/57.7 |
| IC1681 | 1130011820 | S.IC SN74LVC245APWR | T | 9.0/56.4 |
| IC1691 | 1130013590 | S.IC SN74AHC1G126DCKR | T | 32.2/25.5 |
| IC1692 | 1110004770 | S.IC BU9480F-E2 | T | 14.8/88.9 |
| IC1701 | 1110006570 | S.IC TS462CPT | T | 10.6/70.9 |
| IC2011 | 1110006870 | S.IC UPC2709TB-E3 | T | 71.8/80.1 |
| IC2041 | 1130012610 | S.IC SN74AHC1GU04DCKR | T | 72.9/69.7 |
| IC2042 | 1130013440 | S.IC SN74LVC2G74DCTR | T | 69.3/67.7 |
| IC2043 | 1190001811 | S.IC AD9833BRMZ-REEL7 <FE> | T | 74.4/58.7 |
| IC2091 | 1110006870 | S.IC UPC2709TB-E3 | T | 80.3/66.2 |
| IC2151 | 1110006870 | S.IC UPC2709TB-E3 | T | 41.5/77.1 |
| IC2501 | 1130012850 | S.IC SN74LVC3G34DCUR | T | 52.0/78.3 |
| IC2502 | 1130012781 | S.IC SN74AHC2G04HDCT3 | T | 51.4/82.8 |
| IC2503 | 1180003220 | S.REG TK68118AMFG0L | T | 37.1/82.0 |
| IC2541 | 1190002101 | S.IC AD9951YSVZ <FE> | T | 44.2/92.7 |
| IC2601 | 1110006870 | S.IC UPC2709TB-E3 | T | 97.1/93.6 |
| IC2701 | 1130011760 | S.IC CD4094BPWR | T | 103.2/80.5 |
| IC3201 | 1190002261 | S.IC USB2502-AEZG | T | 179.0/59.5 |
| IC3202 | 1190002240 | S.IC PCM2901E/2K <FE> | T | 177.3/39.9 |
| IC3203 | 1190002730 | S.IC CP2102-GMR <MAC> | T | 178.1/69.9 |
| IC3204 | 1130005721 | S.IC TC7W04F(TE12LF) | T | 171.1/70.6 |
| IC3205 | 1130010461 | S.IC TC7SH08FU(TE85LJF) | T | 169.0/61.9 |
| IC3206 | 1180003240 | S.REG TK68133AMFG0L | T | 193.6/59.0 |
| IC3207 | 1180003240 | S.REG TK68133AMFG0L | T | 188.0/59.0 |
| IC3242 | 1180003330 | REG TA7808F(Q) | | |
| Q1 | 1590001960 | S.TRA XP4311(TX) | T | 122.8/18.8 |
| Q2 | 1590001960 | S.TRA XP4311(TX) | T | 117.3/19.0 |
| Q01 | 1530002680 | S.TRA 2SC3357-T1 | T | 157.1/76.8 |
| Q502 | 1560000641 | S.FET 2SK1740-4/5-TB-E | T | 157.9/38.9 |
| Q503 | 1560000641 | S.FET 2SK1740-4/5-TB-E | T | 157.9/41.9 |
| Q504 | 1560000641 | S.FET 2SK1740-4/5-TB-E | T | 153.8/41.9 |
| Q505 | 1560000641 | S.FET 2SK1740-4/5-TB-E | T | 153.8/38.9 |
| Q506 | 1590001960 | S.TRA XP4311(TX) | T | 162.5/51.2 |
| Q521 | 1580000820 | S.FET 3SK264-5-TG-E | T | 142.3/50.9 |
| Q531 | 1530002371 | S.TRA 2SC2714-O(TE85RF) | T | 146.4/29.1 |
| Q551 | 1580000820 | S.FET 3SK264-5-TG-E | T | 134.3/49.7 |
| Q581 | 1580000820 | S.FET 3SK264-5-TG-E | T | 115.6/25.3 |
| Q611 | 1580000820 | S.FET 3SK264-5-TG-E | T | 89.7/32.0 |
| Q651 | 1530002060 | S.TRA 2SC4081 T106 R | T | 85.9/44.2 |
| Q652 | 1580000820 | S.FET 3SK264-5-TG-E | T | 92.4/50.3 |
| Q653 | 1580000820 | S.FET 3SK264-5-TG-E | T | 98.3/42.6 |
| Q654 | 1530002060 | S.TRA 2SC4081 T106 R | T | 87.6/56.2 |
| Q1531 | 1590001960 | S.TRA XP4311(TX) | T | 26.9/71.1 |
| Q2011 | 1530002371 | S.TRA 2SC2714-O(TE85RF) | T | 65.8/80.5 |
| Q2701 | 1590001960 | S.TRA XP4311(TX) | T | 145.4/92.5 |
| Q2702 | 1590001960 | S.TRA XP4311(TX) | T | 145.4/88.9 |
| Q2703 | 1590001960 | S.TRA XP4311(TX) | T | 145.4/79.0 |
| Q2704 | 1590001960 | S.TRA XP4311(TX) | T | 145.4/75.3 |
| Q3201 | 1590004390 | S.TRA DMG504010R | T | 164.5/70.9 |
| Q3202 | 1590001960 | S.TRA XP4311(TX) | T | 177.2/64.3 |
| D1 | 1790001251 | S.DIO MA2S1110GL | T | 192.3/35.2 |
| D31 | 1790001251 | S.DIO MA2S1110GL | T | 22.3/4.9 |
| D41 | 1790001251 | S.DIO MA2S1110GL | T | 18.6/1.6 |
| D501 | 1790001261 | S.DIO MA2S077G0L | T | 166.5/47.1 |
| D521 | 1790001261 | S.DIO MA2S077G0L | T | 155.7/60.1 |
| D522 | 1790001261 | S.DIO MA2S077G0L | T | 153.0/59.5 |
| D523 | 1790001261 | S.DIO MA2S077G0L | T | 148.1/25.9 |
| D524 | 1790001261 | S.DIO MA2S077G0L | T | 144.8/25.9 |
| D525 | 1790001261 | S.DIO MA2S077G0L | T | 148.3/44.7 |
| D551 | 1790001261 | S.DIO MA2S077G0L | T | 124.3/62.2 |
| D552 | 1790001261 | S.DIO MA2S077G0L | T | 123.3/59.7 |
| D553 | 1790001261 | S.DIO MA2S077G0L | T | 125.2/59.8 |
| D554 | 1790001261 | S.DIO MA2S077G0L | T | 124.4/44.2 |
| D571 | 1750000431 | S.DIO HSB88WSTR-E | T | 113.4/53.3 |

[MAIN UNIT]

| REF NO. | PARTS NO. | DESCRIPTION | M. | H/V LOCATION |
|---------|------------|-------------------------------------|----|--------------|
| D581 | 1790001261 | S.DIO MA2S077G0L | T | 118.5/39.8 |
| D582 | 1790001261 | S.DIO MA2S077G0L | T | 118.5/41.5 |
| D583 | 1790001261 | S.DIO MA2S077G0L | T | 112.3/30.6 |
| D584 | 1790001261 | S.DIO MA2S077G0L | T | 109.8/31.1 |
| D611 | 1790001261 | S.DIO MA2S077G0L | T | 93.4/35.7 |
| D621 | 1790001261 | S.DIO MA2S077G0L | T | 82.0/36.3 |
| D641 | 1790001261 | S.DIO MA2S077G0L | T | 96.0/38.0 |
| D671 | 1790001261 | S.DIO MA2S077G0L | T | 81.4/39.7 |
| D1082 | 1790001241 | S.DIO MA2S7280GL | T | 160.2/94.6 |
| D1084 | 1790001241 | S.DIO MA2S7280GL | T | 159.0/94.6 |
| D2572 | 1750000620 | S.DIO MA717WK(TX) | T | 80.0/92.5 |
| D2594 | 1790001621 | S.DIO 1SV308(TPL3F) | T | 54.0/94.5 |
| D2595 | 1790001621 | S.DIO 1SV308(TPL3F) | T | 71.2/98.6 |
| D2596 | 1790001621 | S.DIO 1SV308(TPL3F) | T | 71.2/97.4 |
| D2597 | 1790001621 | S.DIO 1SV308(TPL3F) | T | 67.9/93.2 |
| D2801 | 1790001621 | S.DIO 1SV308(TPL3F) | T | 115.6/98.6 |
| D2802 | 1790001621 | S.DIO 1SV308(TPL3F) | T | 141.1/97.2 |
| D2851 | 1790001621 | S.DIO 1SV308(TPL3F) | T | 115.8/92.8 |
| D2852 | 1790001621 | S.DIO 1SV308(TPL3F) | T | 141.1/90.4 |
| D2901 | 1790001621 | S.DIO 1SV308(TPL3F) | T | 115.8/86.0 |
| D2902 | 1790001621 | S.DIO 1SV308(TPL3F) | T | 141.1/83.6 |
| D2951 | 1790001621 | S.DIO 1SV308(TPL3F) | T | 115.8/79.2 |
| D2952 | 1790001621 | S.DIO 1SV308(TPL3F) | T | 141.2/76.8 |
| D2955 | 1720000811 | S.VAR HVC358BTRF-E | T | 133.0/54.5 |
| D2956 | 1720000811 | S.VAR HVC358BTRF-E | T | 135.2/43.5 |
| D3201 | 1790001241 | S.DIO MA2S7280GL | T | 174.8/62.6 |
| D3202 | 1790001241 | S.DIO MA2S7280GL | T | 173.6/62.3 |
| D3203 | 1790001251 | S.DIO MA2S1110GL | T | 164.4/74.3 |
| FI541 | 2010002720 | S.XTA DSF753SBF 64.455 MHz (FL-421) | T | 140.0/65.0 |
| FI601 | 2020001330 | CER CFWLA455KHFA-B0 (CFWS455HT) | | |
| X2011 | 6050012560 | S.XTA CR-770B DSA321SD 32 MHz | T | 62.8/79.6 |
| X3201 | 6050012780 | S.XTA CR-871 DSX321G 24 MHz<KDS> | T | 178.6/52.1 |
| X3202 | 6050012770 | S.XTA CR-870 DSX321G 12 MHz<KDS> | T | 177.2/32.3 |
| L1 | 6200007790 | S.COI LQW2BHNR15J03L | T | 141.6/22.7 |
| L2 | 6200002431 | S.COI NLV25T-082J | T | 144.5/23.2 |
| L63 | 6200002041 | S.COI NLV25T-101J | T | 161.3/21.6 |
| L501 | 6200003281 | S.COI NLV25T-2R2J | T | 161.5/77.4 |
| L503 | 6140002810 | S.COI LR-317 | T | 165.1/41.4 |
| L504 | 6140004680 | S.COI LR-528 4KBL | T | 155.0/29.8 |
| L505 | 6140004680 | S.COI LR-528 4KBL | T | 156.1/49.1 |
| L506 | 6200003261 | S.COI NLV32T-101J | T | 162.6/48.3 |
| L507 | 6200013240 | S.COI C2012C-R68J-A | T | 159.8/44.5 |
| L508 | 6200013240 | S.COI C2012C-R68J-A | T | 153.9/44.5 |
| L509 | 6200007760 | S.COI LQW2BHNR82NJ03L | T | 154.7/55.0 |
| L510 | 6200007800 | S.COI LQW2BHNR18J03L | T | 157.5/55.8 |
| L511 | 6200002041 | S.COI NLV25T-101J | T | 161.8/59.1 |
| L517 | 6200002631 | S.COI NLV25T-R10J | T | 160.3/72.0 |
| L521 | 6200009861 | S.COI NLV25T-1R5J | T | 141.7/45.4 |
| L522 | 6200003261 | S.COI NLV32T-101J | T | 140.1/28.9 |
| L523 | 6200003261 | S.COI NLV32T-101J | T | 149.6/52.5 |
| L524 | 6200005011 | S.COI NLV25T-100J | T | 141.3/57.6 |
| L525 | 6200002041 | S.COI NLV25T-101J | T | 141.6/34.2 |
| L526 | 6200003261 | S.COI NLV32T-101J | T | 163.1/56.3 |
| L527 | 6200002181 | S.COI NLV25T-R12J | T | 156.2/63.9 |
| L528 | 6200002041 | S.COI NLV25T-101J | T | 141.6/37.0 |
| L529 | 6200002041 | S.COI NLV25T-101J | T | 139.0/41.1 |
| L530 | 6200003261 | S.COI NLV32T-101J | T | 151.3/21.6 |
| L534 | 6200003261 | S.COI NLV32T-101J | T | 148.9/32.8 |
| L541 | 6140004710 | S.COI LR-531 4KBL-S070834 | T | 149.9/64.4 |
| L542 | 6140004710 | S.COI LR-531 4KBL-S070834 | T | 130.2/63.8 |
| L549 | 6200002631 | S.COI NLV25T-R10J | T | 148.3/40.0 |
| L551 | 6150005440 | COI LS-555 7K7-S080614B | | |
| L552 | 6150005440 | COI LS-555 7K7-S080614B | | |
| L571 | 6140004680 | S.COI LR-528 4KBL | T | 119.1/53.3 |
| L572 | 6140002810 | S.COI LR-317 | T | 106.4/53.3 |
| L581 | 6150005420 | COI LS-554 7QM | | |
| L582 | 6200003520 | S.COI ELJFB 102K-F | T | 109.3/25.5 |
| L583 | 6150005410 | COI LS-553 7QM | | |
| L585 | 6200003520 | S.COI ELJFB 102K-F | T | 91.4/42.9 |
| L586 | 6200003261 | S.COI NLV32T-101J | T | 69.0/42.5 |
| L600 | 6200003520 | S.COI ELJFB 102K-F | T | 72.2/45.9 |
| L603 | 6200002601 | S.COI NLV25T-047J | T | 167.1/54.4 |
| L604 | 6200002421 | S.COI NLV25T-068J | T | 166.5/50.6 |
| L615 | 6200003520 | S.COI ELJFB 102K-F | T | 93.1/28.5 |
| L651 | 6200003520 | S.COI ELJFB 102K-F | T | 97.0/48.8 |
| L652 | 6200003520 | S.COI ELJFB 102K-F | T | 85.3/49.6 |
| L671 | 6200003261 | S.COI NLV32T-101J | T | 69.9/30.0 |
| L672 | 6200005521 | S.COI NLV25T-470J | T | 79.1/30.9 |
| L673 | 6140004680 | S.COI LR-528 4KBL | T | 77.5/36.2 |
| L1021 | 6200003261 | S.COI NLV32T-101J | T | 58.0/52.8 |
| L1031 | 6200003261 | S.COI NLV32T-101J | T | 110.2/19.7 |
| L1081 | 6200002041 | S.COI NLV25T-101J | T | 166.4/91.5 |
| L1082 | 6200002041 | S.COI NLV25T-101J | T | 3.2/81.3 |

Eqv.= This component is equivalent to the REF No. component listed above, and may be substituted on parts orders and repairs.

M.=Mounted side (T: Mounted on the Top side, B: Mounted on the Bottom side) S.=Surface mount

[MAIN UNIT]

| REF NO. | PARTS NO. | DESCRIPTION | M. | H/V LOCATION |
|---------|------------|--------------------------|----|--------------|
| L1091 | 6140002220 | COI LR-270 (TR6X3X2 3A9) | | |
| L1531 | 6200005011 | S.COI NLV25T-100J | T | 40.3/43.7 |
| L1532 | 6200002041 | S.COI NLV25T-101J | T | 23.8/71.4 |
| L1591 | 6200003261 | S.COI NLV32T-101J | T | 69.3/8.2 |
| L1661 | 6200005011 | S.COI NLV25T-100J | T | 17.4/60.2 |
| L1662 | 6200005011 | S.COI NLV25T-100J | T | 18.8/51.3 |
| L1681 | 6200005011 | S.COI NLV25T-100J | T | 12.0/51.6 |
| L1691 | 6200005011 | S.COI NLV25T-100J | T | 32.0/23.0 |
| L1692 | 6200005011 | S.COI NLV25T-100J | T | 22.3/89.7 |
| L2011 | 6200005011 | S.COI NLV25T-100J | T | 71.8/77.3 |
| L2012 | 6200005011 | S.COI NLV25T-100J | T | 67.3/83.6 |
| L2013 | 6200005011 | S.COI NLV25T-100J | T | 60.1/83.0 |
| L2014 | 6200005011 | S.COI NLV25T-100J | T | 69.6/74.7 |
| L2021 | 6200007800 | S.COI LQW2BHNRR18J03L | T | 63.7/58.9 |
| L2022 | 6200002841 | S.COI NLV25T-R22J | T | 60.9/58.1 |
| L2041 | 6200005011 | S.COI NLV25T-100J | T | 73.9/64.7 |
| L2042 | 6200005011 | S.COI NLV25T-100J | T | 68.4/53.2 |
| L2043 | 6200005031 | S.COI NLV25T-180J | T | 68.6/60.3 |
| L2044 | 6200005521 | S.COI NLV25T-470J | T | 66.7/57.5 |
| L2061 | 6200002581 | S.COI NLV25T-033J | T | 62.5/67.1 |
| L2071 | 6200002631 | S.COI NLV25T-R10J | T | 80.9/78.2 |
| L2072 | 6200002431 | S.COI NLV25T-082J | T | 83.8/77.9 |
| L2073 | 6200002431 | S.COI NLV25T-082J | T | 87.3/79.4 |
| L2074 | 6200002631 | S.COI NLV25T-R10J | T | 88.1/72.9 |
| L2075 | 6200002631 | S.COI NLV25T-R10J | T | 87.0/70.0 |
| L2091 | 6200009861 | S.COI NLV25T-1R5J | T | 77.5/65.7 |
| L2101 | 6200002181 | S.COI NLV25T-R12J | T | 94.3/64.0 |
| L2102 | 6200002631 | S.COI NLV25T-R10J | T | 97.1/63.2 |
| L2131 | 6200002591 | S.COI NLV25T-039J | T | 51.4/67.7 |
| L2132 | 6200003891 | S.COI NLV25T-027J | T | 48.6/67.3 |
| L2133 | 6200003891 | S.COI NLV25T-027J | T | 45.8/67.7 |
| L2134 | 6200003891 | S.COI NLV25T-027J | T | 41.0/67.7 |
| L2135 | 6200003891 | S.COI NLV25T-027J | T | 38.2/68.1 |
| L2136 | 6200002581 | S.COI NLV25T-033J | T | 37.6/72.5 |
| L2151 | 6200002611 | S.COI NLV25T-R47J | T | 41.5/79.7 |
| L2152 | 6200002581 | S.COI NLV25T-033J | T | 45.2/80.5 |
| L2153 | 6200002581 | S.COI NLV25T-033J | T | 46.6/83.8 |
| L2501 | 6200005011 | S.COI NLV25T-100J | T | 55.4/85.0 |
| L2560 | 6200002431 | S.COI NLV25T-082J | T | 40.6/83.6 |
| L2561 | 6140002810 | S.COI LR-317 | T | 60.0/91.9 |
| L2563 | 6200002181 | S.COI NLV25T-R12J | T | 65.3/93.4 |
| L2564 | 6200002181 | S.COI NLV25T-R12J | T | 65.7/98.7 |
| L2566 | 6140002810 | S.COI LR-317 | T | 74.2/92.6 |
| L2571 | 6200002601 | S.COI NLV25T-047J | T | 83.3/91.0 |
| L2572 | 6200007790 | S.COI LQW2BHNRR15J03L | T | 82.7/93.9 |
| L2573 | 6200002431 | S.COI NLV25T-082J | T | 84.8/97.0 |
| L2574 | 6200002431 | S.COI NLV25T-082J | T | 87.6/95.9 |
| L2594 | 6200007790 | S.COI LQW2BHNRR15J03L | T | 53.6/91.5 |
| L2601 | 6200002411 | S.COI NLV25T-056J | T | 105.7/94.5 |
| L2602 | 6200009861 | S.COI NLV25T-1R5J | T | 99.9/93.3 |
| L2603 | 6200002421 | S.COI NLV25T-068J | T | 102.7/94.0 |
| L2606 | 6200002041 | S.COI NLV25T-101J | T | 136.8/5.1 |
| L2701 | 6200002041 | S.COI NLV25T-101J | T | 104.9/86.2 |
| L2711 | 6200002181 | S.COI NLV25T-R12J | T | 108.5/93.7 |
| L2712 | 6200002611 | S.COI NLV25T-R47J | T | 107.4/90.8 |
| L2713 | 6200002181 | S.COI NLV25T-R12J | T | 142.7/99.1 |
| L2714 | 6200002611 | S.COI NLV25T-R47J | T | 145.6/98.6 |
| L2715 | 6200002411 | S.COI NLV25T-056J | T | 152.4/80.8 |
| L2801 | 6200002611 | S.COI NLV25T-R47J | T | 114.7/96.4 |
| L2802 | 6200002431 | S.COI NLV25T-082J | T | 126.7/96.5 |
| L2803 | 6200002631 | S.COI NLV25T-R10J | T | 118.0/96.1 |
| L2804 | 6200002431 | S.COI NLV25T-082J | T | 121.1/95.3 |
| L2805 | 6200002181 | S.COI NLV25T-R12J | T | 123.9/96.2 |
| L2806 | 6200002631 | S.COI NLV25T-R10J | T | 129.5/97.3 |
| L2807 | 6200002631 | S.COI NLV25T-R10J | T | 133.0/99.1 |
| L2808 | 6200002611 | S.COI NLV25T-R47J | T | 139.3/94.9 |
| L2851 | 6200002611 | S.COI NLV25T-R47J | T | 115.8/90.8 |
| L2852 | 6200002421 | S.COI NLV25T-068J | T | 127.4/89.7 |
| L2853 | 6200002421 | S.COI NLV25T-068J | T | 118.6/89.4 |
| L2854 | 6200002421 | S.COI NLV25T-068J | T | 121.3/88.5 |
| L2855 | 6200002631 | S.COI NLV25T-R10J | T | 124.7/90.8 |
| L2856 | 6200002431 | S.COI NLV25T-082J | T | 130.2/91.3 |
| L2857 | 6200002431 | S.COI NLV25T-082J | T | 132.9/92.3 |
| L2858 | 6200002611 | S.COI NLV25T-R47J | T | 139.3/88.1 |
| L2859 | 6200007790 | S.COI LQW2BHNRR15J03L | T | 136.7/86.4 |
| L2901 | 6200002611 | S.COI NLV25T-R47J | T | 115.8/84.1 |
| L2902 | 6200002411 | S.COI NLV25T-056J | T | 127.4/82.9 |
| L2903 | 6200002421 | S.COI NLV25T-068J | T | 118.7/82.5 |
| L2904 | 6200002411 | S.COI NLV25T-056J | T | 121.8/81.7 |
| L2905 | 6200002431 | S.COI NLV25T-082J | T | 124.6/83.7 |
| L2906 | 6200002421 | S.COI NLV25T-068J | T | 130.2/84.5 |
| L2907 | 6200002421 | S.COI NLV25T-068J | T | 133.0/85.5 |
| L2908 | 6200002611 | S.COI NLV25T-R47J | T | 139.3/81.3 |
| L2951 | 6200002611 | S.COI NLV25T-R47J | T | 115.8/77.3 |
| L2952 | 6200002411 | S.COI NLV25T-056J | T | 118.7/74.6 |
| L2953 | 6200002601 | S.COI NLV25T-047J | T | 121.8/76.1 |
| L2954 | 6200002421 | S.COI NLV25T-068J | T | 124.6/75.8 |
| L2955 | 6200002411 | S.COI NLV25T-056J | T | 127.4/76.1 |
| L2956 | 6200002421 | S.COI NLV25T-068J | T | 130.2/77.7 |
| L2957 | 6200002411 | S.COI NLV25T-056J | T | 133.0/78.7 |
| L2958 | 6200002611 | S.COI NLV25T-R47J | T | 139.3/74.5 |
| L2962 | 6200002041 | S.COI NLV25T-101J | T | 185.7/12.7 |
| L2963 | 6200002041 | S.COI NLV25T-101J | T | 189.1/12.7 |
| L2964 | 6200002041 | S.COI NLV25T-101J | T | 143.5/4.7 |
| L2965 | 6200002041 | S.COI NLV25T-101J | T | 146.2/4.1 |
| L2966 | 6200002041 | S.COI NLV25T-101J | T | 177.6/4.9 |
| L2967 | 6200002041 | S.COI NLV25T-101J | T | 178.9/7.4 |
| L2968 | 6200002041 | S.COI NLV25T-101J | T | 172.3/2.0 |

Eqv.= This component is equivalent to the REF No. component listed above, and may be substituted on parts orders and repairs.

[MAIN UNIT]

| REF NO. | PARTS NO. | DESCRIPTION | M. | H/V LOCATION |
|---------|------------|-----------------------------|----|--------------|
| L2969 | 6200002041 | S.COI NLV25T-101J | T | 172.7/4.5 |
| L2970 | 6200002041 | S.COI NLV25T-101J | T | 166.3/3.6 |
| L2975 | 6200002041 | S.COI NLV25T-101J | T | 189.1/15.2 |
| L2977 | 6200002041 | S.COI NLV25T-101J | T | 182.7/7.9 |
| L2979 | 6200002041 | S.COI NLV25T-101J | T | 89.6/10.7 |
| L2980 | 6200002041 | S.COI NLV25T-101J | T | 94.9/3.7 |
| L2981 | 6200002041 | S.COI NLV25T-101J | T | 98.3/3.1 |
| L2982 | 6200002041 | S.COI NLV25T-101J | T | 89.6/13.2 |
| L2983 | 6200002041 | S.COI NLV25T-101J | T | 84.7/2.7 |
| L2984 | 6200002041 | S.COI NLV25T-101J | T | 88.1/2.7 |
| L2985 | 6200002041 | S.COI NLV25T-101J | T | 91.5/2.7 |
| L2986 | 6200009861 | S.COI NLV25T-1R5J | T | 117.3/47.4 |
| L2987 | 6200009861 | S.COI NLV25T-1R5J | T | 120.5/45.3 |
| R1 | 7030003320 | S.RES ERJ3GEYJ 101 V (100) | T | 179.3/23.5 |
| R2 | 7030003590 | S.RES ERJ3GEYJ 183 V (18K) | T | 186.4/30.5 |
| R3 | 7030003440 | S.RES ERJ3GEYJ 102 V (1K) | T | 29.5/31.4 |
| R4 | 7030003320 | S.RES ERJ3GEYJ 101 V (100) | T | 17.7/17.2 |
| R5 | 7030003440 | S.RES ERJ3GEYJ 102 V (1K) | T | 29.5/29.0 |
| R6 | 7030003440 | S.RES ERJ3GEYJ 102 V (1K) | T | 29.5/30.2 |
| R7 | 7030003440 | S.RES ERJ3GEYJ 102 V (1K) | T | 20.2/22.7 |
| R8 | 7030003440 | S.RES ERJ3GEYJ 102 V (1K) | T | 28.1/35.8 |
| R9 | 7030003440 | S.RES ERJ3GEYJ 102 V (1K) | T | 28.1/37.1 |
| R10 | 7030003440 | S.RES ERJ3GEYJ 102 V (1K) | T | 28.1/38.3 |
| R11 | 7030003440 | S.RES ERJ3GEYJ 102 V (1K) | T | 19.8/32.8 |
| R12 | 7030003440 | S.RES ERJ3GEYJ 102 V (1K) | T | 20.3/35.2 |
| R13 | 7030003440 | S.RES ERJ3GEYJ 102 V (1K) | T | 17.1/35.8 |
| R14 | 7030003440 | S.RES ERJ3GEYJ 102 V (1K) | T | 28.1/32.6 |
| R15 | 7030003440 | S.RES ERJ3GEYJ 102 V (1K) | T | 28.4/34.0 |
| R16 | 7030003360 | S.RES ERJ3GEYJ 221 V (220) | T | 4.8/32.7 |
| R17 | 7030003800 | S.RES ERJ3GEYJ 105 V (1M) | T | 19.1/5.6 |
| R18 | 7030003360 | S.RES ERJ3GEYJ 221 V (220) | T | 7.4/39.0 |
| R19 | 7030003590 | S.RES ERJ3GEYJ 183 V (18K) | T | 186.9/29.3 |
| R20 | 7030003830 | S.RES ERJ3GEYJ 185 V (1.8M) | T | 188.3/28.1 |
| R21 | 7030003860 | S.RES ERJ3GE JPW V | T | 20.3/6.8 |
| R22 | 7030003860 | S.RES ERJ3GE JPW V | T | 190.9/28.3 |
| R23 | 7030003830 | S.RES ERJ3GEYJ 185 V (1.8M) | T | 186.9/31.7 |
| R24 | 7030003860 | S.RES ERJ3GE JPW V | T | 186.9/34.1 |
| R25 | 7030009591 | S.RES ERA3YED 472V (4.7K) | T | 189.6/34.1 |
| R26 | 7030007230 | S.RES ERA3YED 102V (1K) | T | 189.6/35.3 |
| R27 | 7030009591 | S.RES ERA3YED 472V (4.7K) | T | 189.6/36.6 |
| R28 | 7030003400 | S.RES ERJ3GEYJ 471 V (470) | T | 190.3/24.3 |
| R29 | 7030003680 | S.RES ERJ3GEYJ 104 V (100K) | T | 193.5/28.4 |
| R30 | 7030005691 | S.RES ERA3YED 123V (12K) | T | 192.5/27.1 |
| R31 | 7030003800 | S.RES ERJ3GEYJ 105 V (1M) | T | 19.1/4.4 |
| R32 | 7030003320 | S.RES ERJ3GEYJ 101 V (100) | T | 195.6/33.8 |
| R33 | 7030003660 | S.RES ERJ3GEYJ 683 V (68K) | T | 195.1/27.1 |
| R34 | 7030003660 | S.RES ERJ3GEYJ 683 V (68K) | T | 195.1/25.8 |
| R35 | 7030003440 | S.RES ERJ3GEYJ 102 V (1K) | T | 29.5/27.8 |
| R36 | 7030003500 | S.RES ERJ3GEYJ 332 V (3.3K) | T | 12.3/11.7 |
| R37 | 7030003640 | S.RES ERJ3GEYJ 473 V (47K) | T | 9.4/14.4 |
| R38 | 7030003360 | S.RES ERJ3GEYJ 221 V (220) | T | 6.1/44.5 |
| R39 | 7030003440 | S.RES ERJ3GEYJ 102 V (1K) | T | 8.7/43.3 |
| R40 | 7030003800 | S.RES ERJ3GEYJ 105 V (1M) | T | 16.5/5.6 |
| R41 | 7030003800 | S.RES ERJ3GEYJ 105 V (1M) | T | 16.5/4.4 |
| R42 | 7030003560 | S.RES ERJ3GEYJ 103 V (10K) | T | 24.1/4.3 |
| R500 | 7030004040 | S.RES ERJ3GEYJ 4R7 V (4.7) | T | 154.6/74.0 |
| R501 | 7030003440 | S.RES ERJ3GEYJ 102 V (1K) | T | 164.7/45.3 |
| R502 | 7030003420 | S.RES ERJ3GEYJ 681 V (680) | T | 158.9/30.1 |
| R503 | 7030003420 | S.RES ERJ3GEYJ 681 V (680) | T | 153.1/76.4 |
| R504 | 7030003470 | S.RES ERJ3GEYJ 182 V (1.8K) | T | 156.3/80.1 |
| R505 | 7030003240 | S.RES ERJ3GEYJ 220 V (22) | T | 153.8/72.8 |
| R506 | 7030003860 | S.RES ERJ3GE JPW V | T | 164.9/37.7 |
| R507 | 7030003560 | S.RES ERJ3GEYJ 103 V (10K) | T | 156.8/44.5 |
| R508 | 7030003400 | S.RES ERJ3GEYJ 471 V (470) | T | 160.9/41.1 |
| R509 | 7030003430 | S.RES ERJ3GEYJ 821 V (820) | T | 157.6/34.5 |
| R510 | 7030003430 | S.RES ERJ3GEYJ 821 V (820) | T | 152.4/34.0 |
| R512 | 7030003440 | S.RES ERJ3GEYJ 102 V (1K) | T | 158.3/58.0 |
| R515 | 7030003390 | S.RES ERJ3GEYJ 391 V (390) | T | 150.2/47.4 |
| R516 | 7030003440 | S.RES ERJ3GEYJ 102 V (1K) | T | 148.7/46.2 |
| R520 | 7030003360 | S.RES ERJ3GEYJ 221 V (220) | T | 141.4/38.9 |
| R521 | 7030003860 | S.RES ERJ3GE JPW V | T | 141.4/43.5 |
| R522 | 7030003560 | S.RES ERJ3GEYJ 103 V (10K) | T | 142.1/48.6 |
| R523 | 7030003610 | S.RES ERJ3GEYJ 273 V (27K) | T | 145.2/52.6 |
| R524 | 7030003320 | S.RES ERJ3GEYJ 101 V (100) | T | 144.7/45.4 |
| R525 | 7030003340 | S.RES ERJ3GEYJ 151 V (150) | T | 142.1/55.7 |
| R526 | 7030003500 | S.RES ERJ3GEYJ 332 V (3.3K) | T | 142.1/53.3 |
| R527 | 7030003320 | S.RES ERJ3GEYJ 101 V (100) | T | 148.9/55.1 |
| R528 | 7510001541 | S.THE NTG16 4BH 332JT | T | 145.2/53.9 |
| R529 | 7030003440 | S.RES ERJ3GEYJ 102 V (1K) | T | 145.2/55.1 |
| R530 | 7030003440 | S.RES ERJ3GEYJ 102 V (1K) | T | 141.9/26.2 |
| R531 | 7030003260 | S.RES ERJ3GEYJ 330 V (33) | T | 145.2/49.0 |
| R532 | 7030003560 | S.RES ERJ3GEYJ 103 V (10K) | T | 145.2/51.4 |
| R533 | 7030003440 | S.RES ERJ3GEYJ 102 V (1K) | T | 168.3/45.6 |
| R534 | 7030003280 | S.RES ERJ3GEYJ 470 V (47) | T | 155.4/61.7 |
| R535 | | | | |

[MAIN UNIT]

| REF NO. | PARTS NO. | DESCRIPTION | M. | H/V LOCATION |
|---------|------------|-----------------------------|----|--------------|
| R552 | 7030003530 | S.RES ERJ3GEYJ 562 V (5.6K) | T | 135.8/58.1 |
| R553 | 7030003480 | S.RES ERJ3GEYJ 222 V (2.2K) | T | 135.6/52.1 |
| R554 | 7030003640 | S.RES ERJ3GEYJ 473 V (47K) | T | 131.3/49.8 |
| R555 | 7030003260 | S.RES ERJ3GEYJ 330 V (33K) | T | 137.3/49.5 |
| R556 | 7030003560 | S.RES ERJ3GEYJ 103 V (10K) | T | 134.6/47.3 |
| R557 | 7030003320 | S.RES ERJ3GEYJ 101 V (10K) | T | 127.1/46.8 |
| R558 | 7030003440 | S.RES ERJ3GEYJ 102 V (1K) | T | 124.8/40.2 |
| R559 | 7030003860 | S.RES ERJ3GE JPW V | T | 133.0/52.1 |
| R560 | 7030003440 | S.RES ERJ3GEYJ 102 V (1K) | T | 121.4/60.7 |
| R574 | 7030003440 | S.RES ERJ3GEYJ 102 V (1K) | T | 117.7/43.1 |
| R575 | 7030003440 | S.RES ERJ3GEYJ 102 V (1K) | T | 118.0/58.4 |
| R581 | 7030003660 | S.RES ERJ3GEYJ 683 V (68K) | T | 112.6/24.2 |
| R582 | 7030003440 | S.RES ERJ3GEYJ 102 V (1K) | T | 124.7/35.6 |
| R583 | 7030003320 | S.RES ERJ3GEYJ 101 V (10K) | T | 126.1/34.4 |
| R584 | 7030003480 | S.RES ERJ3GEYJ 222 V (2.2K) | T | 121.2/23.1 |
| R585 | 7030003560 | S.RES ERJ3GEYJ 103 V (10K) | T | 118.6/24.3 |
| R586 | 7030003520 | S.RES ERJ3GEYJ 472 V (4.7K) | T | 112.6/25.4 |
| R587 | 7510001671 | S.THR NTCG16 4BH 103JT | T | 112.6/26.6 |
| R588 | 7030003470 | S.RES ERJ3GEYJ 182 V (1.8K) | T | 111.0/29.0 |
| R589 | 7030003260 | S.RES ERJ3GEYJ 330 V (33K) | T | 115.2/29.0 |
| R590 | 7030003610 | S.RES ERJ3GEYJ 273 V (27K) | T | 114.1/23.0 |
| R591 | 7030003440 | S.RES ERJ3GEYJ 102 V (1K) | T | 113.1/33.5 |
| R592 | 7030003520 | S.RES ERJ3GEYJ 472 V (4.7K) | T | 110.6/34.6 |
| R594 | 7030003520 | S.RES ERJ3GEYJ 472 V (4.7K) | T | 93.9/39.0 |
| R596 | 7030003440 | S.RES ERJ3GEYJ 102 V (1K) | T | 81.7/46.8 |
| R597 | 7510001451 | S.THR NTCG16 4BH 472JT | T | 79.1/46.7 |
| R598 | 7030003400 | S.RES ERJ3GEYJ 471 V (47K) | T | 79.1/48.0 |
| R601 | 7030003520 | S.RES ERJ3GEYJ 472 V (4.7K) | T | 107.7/29.0 |
| R602 | 7030003520 | S.RES ERJ3GEYJ 472 V (4.7K) | T | 98.0/37.0 |
| R611 | 7030003520 | S.RES ERJ3GEYJ 472 V (4.7K) | T | 91.8/37.5 |
| R614 | 7030003280 | S.RES ERJ3GEYJ 470 V (47K) | T | 89.9/26.2 |
| R617 | 7030003860 | S.RES ERJ3GE JPW V | T | 93.3/34.1 |
| R618 | 7030003560 | S.RES ERJ3GEYJ 103 V (10K) | T | 90.0/29.6 |
| R619 | 7030003260 | S.RES ERJ3GEYJ 330 V (33K) | T | 90.2/35.7 |
| R620 | 7030003600 | S.RES ERJ3GEYJ 223 V (22K) | T | 86.8/33.2 |
| R621 | 7030003640 | S.RES ERJ3GEYJ 473 V (47K) | T | 87.3/35.6 |
| R622 | 7030003860 | S.RES ERJ3GE JPW V | T | 86.8/34.4 |
| R623 | 7030003560 | S.RES ERJ3GEYJ 103 V (10K) | T | 86.3/29.7 |
| R624 | 7030003400 | S.RES ERJ3GEYJ 471 V (47K) | T | 86.3/30.9 |
| R652 | 7030003280 | S.RES ERJ3GEYJ 470 V (47K) | T | 87.4/40.2 |
| R653 | 7030003400 | S.RES ERJ3GEYJ 471 V (47K) | T | 85.9/41.0 |
| R654 | 7030003610 | S.RES ERJ3GEYJ 273 V (27K) | T | 88.3/45.6 |
| R655 | 7030003640 | S.RES ERJ3GEYJ 473 V (47K) | T | 88.3/46.8 |
| R656 | 7030003480 | S.RES ERJ3GEYJ 222 V (2.2K) | T | 94.1/53.1 |
| R657 | 7030003480 | S.RES ERJ3GEYJ 222 V (2.2K) | T | 92.6/55.5 |
| R658 | 7030003480 | S.RES ERJ3GEYJ 222 V (2.2K) | T | 88.3/51.2 |
| R659 | 7030003320 | S.RES ERJ3GEYJ 101 V (10K) | T | 88.3/52.4 |
| R660 | 7510001541 | S.THE NTCG16 4BH 332JT | T | 96.7/54.3 |
| R661 | 7030003560 | S.RES ERJ3GEYJ 103 V (10K) | T | 89.0/59.6 |
| R662 | 7030003560 | S.RES ERJ3GEYJ 103 V (10K) | T | 90.0/56.2 |
| R663 | 7510001541 | S.THE NTCG16 4BH 332JT | T | 94.1/54.3 |
| R664 | 7030003280 | S.RES ERJ3GEYJ 470 V (47K) | T | 95.0/46.3 |
| R665 | 7030003520 | S.RES ERJ3GEYJ 472 V (4.7K) | T | 99.6/45.1 |
| R666 | 7030003320 | S.RES ERJ3GEYJ 101 V (10K) | T | 95.5/42.7 |
| R667 | 7030003520 | S.RES ERJ3GEYJ 472 V (4.7K) | T | 101.3/42.0 |
| R668 | 7030003670 | S.RES ERJ3GEYJ 823 V (82K) | T | 96.6/40.3 |
| R669 | 7030003620 | S.RES ERJ3GEYJ 333 V (33K) | T | 100.5/39.1 |
| R670 | 7510001541 | S.THE NTCG16 4BH 332JT | T | 95.5/43.9 |
| R671 | 7030003260 | S.RES ERJ3GEYJ 330 V (33K) | T | 92.4/48.0 |
| R672 | 7030003400 | S.RES ERJ3GEYJ 471 V (47K) | T | 88.9/53.6 |
| R674 | 7030003860 | S.RES ERJ3GE JPW V | T | 84.8/42.2 |
| R675 | 7030003400 | S.RES ERJ3GEYJ 471 V (47K) | T | 82.2/42.2 |
| R676 | 7030003520 | S.RES ERJ3GEYJ 472 V (4.7K) | T | 66.9/32.1 |
| R677 | 7030003520 | S.RES ERJ3GEYJ 472 V (4.7K) | T | 66.9/33.3 |
| R678 | 7030003480 | S.RES ERJ3GEYJ 222 V (2.2K) | T | 70.9/39.5 |
| R679 | 7030003480 | S.RES ERJ3GEYJ 222 V (2.2K) | T | 73.5/39.5 |
| R680 | 7030003400 | S.RES ERJ3GEYJ 471 V (47K) | T | 82.4/34.5 |
| R681 | 7030003680 | S.RES ERJ3GEYJ 104 V (100K) | T | 74.4/27.4 |
| R682 | 7030003440 | S.RES ERJ3GEYJ 102 V (1K) | T | 74.4/26.2 |
| R684 | 7030003530 | S.RES ERJ3GEYJ 562 V (5.6K) | T | 95.4/51.3 |
| R685 | 7030004040 | S.RES ERJ3GEYJ 4R7 V (4.7) | T | 78.9/26.8 |
| R686 | 7030003440 | S.RES ERJ3GEYJ 102 V (1K) | T | 78.2/28.7 |
| R687 | 7030003440 | S.RES ERJ3GEYJ 102 V (1K) | T | 77.0/27.4 |
| R1021 | 7030003520 | S.RES ERJ3GEYJ 472 V (4.7K) | T | 56.7/50.7 |
| R1022 | 7030003520 | S.RES ERJ3GEYJ 472 V (4.7K) | T | 56.7/49.5 |
| R1023 | 7030003320 | S.RES ERJ3GEYJ 101 V (10K) | T | 59.3/50.7 |
| R1024 | 7030003640 | S.RES ERJ3GEYJ 473 V (47K) | T | 54.5/48.5 |
| R1025 | 7030003640 | S.RES ERJ3GEYJ 473 V (47K) | T | 63.6/45.6 |
| R1026 | 7030003640 | S.RES ERJ3GEYJ 473 V (47K) | T | 60.6/39.6 |
| R1031 | 7030003420 | S.RES ERJ3GEYJ 681 V (68K) | T | 107.6/17.5 |
| R1032 | 7030003560 | S.RES ERJ3GEYJ 103 V (10K) | T | 110.9/16.4 |
| R1033 | 7030003520 | S.RES ERJ3GEYJ 472 V (4.7K) | T | 50.1/44.2 |
| R1034 | 7030003860 | S.RES ERJ3GE JPW V | T | 52.7/45.4 |
| R1035 | 7030003680 | S.RES ERJ3GEYJ 104 V (100K) | T | 51.9/41.1 |
| R1036 | 7030003320 | S.RES ERJ3GEYJ 101 V (10K) | T | 61.7/41.1 |
| R1037 | 7030003680 | S.RES ERJ3GEYJ 104 V (100K) | T | 62.5/38.8 |
| R1038 | 7030003320 | S.RES ERJ3GEYJ 101 V (10K) | T | 106.9/19.9 |
| R1039 | 7030003640 | S.RES ERJ3GEYJ 473 V (47K) | T | 100.3/18.4 |
| R1040 | 7030003640 | S.RES ERJ3GEYJ 473 V (47K) | T | 102.9/18.9 |
| R1041 | 7030003460 | S.RES ERJ3GEYJ 152 V (1.5K) | T | 110.9/15.2 |
| R1042 | 7030003560 | S.RES ERJ3GEYJ 103 V (10K) | T | 110.9/14.0 |
| R1043 | 7030003620 | S.RES ERJ3GEYJ 333 V (33K) | T | 50.9/37.0 |
| R1044 | 7030003640 | S.RES ERJ3GEYJ 473 V (47K) | T | 56.1/42.4 |
| R1045 | 7030003530 | S.RES ERJ3GEYJ 562 V (5.6K) | T | 52.8/36.2 |
| R1052 | 7030003560 | S.RES ERJ3GEYJ 103 V (10K) | T | 15.1/78.6 |
| R1053 | 7030003560 | S.RES ERJ3GEYJ 103 V (10K) | T | 18.2/85.2 |
| R1054 | 7030003600 | S.RES ERJ3GEYJ 223 V (22K) | T | 21.2/78.2 |
| R1055 | 7030003320 | S.RES ERJ3GEYJ 101 V (10K) | T | 15.1/76.2 |

Eqv.= This component is equivalent to the REF No. component listed above, and may be substituted on parts orders and repairs.

[MAIN UNIT]

| REF NO. | PARTS NO. | DESCRIPTION | M. | H/V LOCATION |
|---------|------------|-----------------------------|----|--------------|
| R1056 | 7030003860 | S.RES ERJ3GE JPW V | T | 11.0/84.4 |
| R1057 | 7030003600 | S.RES ERJ3GEYJ 223 V (22K) | T | 21.2/79.4 |
| R1058 | 7030003680 | S.RES ERJ3GEYJ 104 V (100K) | T | 15.2/81.8 |
| R1059 | 7030003620 | S.RES ERJ3GEYJ 333 V (33K) | T | 18.5/84.0 |
| R1060 | 7030003440 | S.RES ERJ3GEYJ 102 V (1K) | T | 15.8/84.0 |
| R1061 | 7030003320 | S.RES ERJ3GEYJ 101 V (10K) | T | 15.1/82.2 |
| R1063 | 7030003640 | S.RES ERJ3GEYJ 473 V (47K) | T | 18.7/77.0 |
| R1064 | 7030003640 | S.RES ERJ3GEYJ 473 V (47K) | T | 15.1/79.8 |
| R1070 | 7030003520 | S.RES ERJ3GEYJ 472 V (4.7K) | T | 163.1/88.9 |
| R1071 | 7030003520 | S.RES ERJ3GEYJ 472 V (4.7K) | T | 159.6/89.1 |
| R1072 | 7030003560 | S.RES ERJ3GEYJ 103 V (10K) | T | 162.2/91.3 |
| R1073 | 7030003560 | S.RES ERJ3GEYJ 103 V (10K) | T | 159.6/91.3 |
| R1074 | 7030003560 | S.RES ERJ3GEYJ 103 V (10K) | T | 164.3/98.9 |
| R1075 | 7030003520 | S.RES ERJ3GEYJ 472 V (4.7K) | T | 9.5/80.8 |
| R1076 | 7030003520 | S.RES ERJ3GEYJ 472 V (4.7K) | T | 9.5/83.2 |
| R1077 | 7030003560 | S.RES ERJ3GEYJ 103 V (10K) | T | 5.4/74.3 |
| R1078 | 7030003560 | S.RES ERJ3GEYJ 103 V (10K) | T | 6.8/83.2 |
| R1079 | 7030003560 | S.RES ERJ3GEYJ 103 V (10K) | T | 6.9/81.1 |
| R1080 | 7030003440 | S.RES ERJ3GEYJ 102 V (1K) | T | 158.2/96.5 |
| R1081 | 7030003280 | S.RES ERJ3GEYJ 470 V (47K) | T | 159.6/92.7 |
| R1083 | 7030003640 | S.RES ERJ3GEYJ 473 V (47K) | T | 165.8/94.9 |
| R1084 | 7030003800 | S.RES ERJ3GEYJ 105 V (1M) | T | 157.0/95.1 |
| R1086 | 7030003320 | S.RES ERJ3GEYJ 101 V (10K) | T | 165.8/93.7 |
| R1087 | 7030003320 | S.RES ERJ3GEYJ 101 V (10K) | T | 2.8/79.4 |
| R1088 | 7030003280 | S.RES ERJ3GEYJ 470 V (47K) | T | 8.6/75.8 |
| R1089 | 7030003640 | S.RES ERJ3GEYJ 473 V (47K) | T | 8.6/79.4 |
| R1090 | 7030003440 | S.RES ERJ3GEYJ 102 V (1K) | T | 8.6/78.2 |
| R1091 | 7030003860 | S.RES ERJ3GE JPW V | T | 173.8/84.5 |
| R1092 | 7030003560 | S.RES ERJ3GEYJ 103 V (10K) | T | 164.3/100.1 |
| R1093 | 7030003440 | S.RES ERJ3GEYJ 102 V (1K) | T | 168.4/97.6 |
| R1094 | 7030003400 | S.RES ERJ3GEYJ 471 V (47K) | T | 183.2/84.0 |
| R1095 | 7030004400 | S.RES ERJ3GEYJ 4R7 V (4.7) | T | 186.8/86.7 |
| R1096 | 7030010260 | S.RES ERJ1TYJ 3R3 U | T | 176.3/82.0 |
| R1514 | 7030003320 | S.RES ERJ3GEYJ 101 V (10K) | T | 63.8/32.1 |
| R1515 | 7030003800 | S.RES ERJ3GEYJ 105 V (1M) | T | 59.6/35.6 |
| R1516 | 7030003320 | S.RES ERJ3GEYJ 101 V (10K) | T | 58.4/35.6 |
| R1521 | 7030003860 | S.RES ERJ3GE JPW V | T | 2.8/53.8 |
| R1531 | 7030003560 | S.RES ERJ3GEYJ 103 V (10K) | T | 46.1/41.7 |
| R1532 | 7030003440 | S.RES ERJ3GEYJ 102 V (1K) | T | 33.3/57.9 |
| R1548 | 7030003860 | S.RES ERJ3GE JPW V | T | 29.2/16.1 |
| R1549 | 7030003860 | S.RES ERJ3GE JPW V | T | 66.0/37.8 |
| R1550 | 7030003860 | S.RES ERJ3GE JPW V | T | 55.8/35.5 |
| R1553 | 7030003320 | S.RES ERJ3GEYJ 101 V (10K) | T | 57.0/34.0 |
| R1554 | 7030003560 | S.RES ERJ3GEYJ 103 V (10K) | T | 53.4/34.0 |
| R1555 | 7030003560 | S.RES ERJ3GEYJ 103 V (10K) | T | 49.8/34.0 |
| R1556 | 7030003560 | S.RES ERJ3GEYJ 103 V (10K) | T | 66.2/23.4 |
| R1557 | 7030003560 | S.RES ERJ3GEYJ 103 V (10K) | T | 65.0/23.8 |
| R1558 | 7030003560 | S.RES ERJ3GEYJ 103 V (10K) | T | 43.6/3.2 |
| R1559 | 7030003560 | S.RES ERJ3GEYJ 103 V (10K) | T | 42.4/3.2 |
| R1591 | 7030003860 | S.RES ERJ3GE JPW V | T | 82.8/9.2 |
| R1601 | 7030003320 | S.RES ERJ3GEYJ 101 V (10K) | T | 52.7/48.8 |
| R1602 | 7030003520 | S.RES ERJ3GEYJ 472 V (4.7K) | T | 38.8/48.2 |
| R1603 | 7030003520 | S.RES ERJ3GEYJ 472 V (4.7K) | T | 44.2/50.8 |
| R1604 | 7030003520 | S.RES ERJ3GEYJ 472 V (4.7K) | T | 41.0/49.4 |
| R1605 | 7030003520 | S.RES ERJ3GEYJ 472 V (4.7K) | T | 49.8/46.4 |
| R1606 | 7030003520 | S.RES ERJ3GEYJ 472 V (4.7K) | T | 45.9/44.4 |
| R1607 | 7030003520 | S.RES ERJ3GEYJ 472 V (4.7K) | T | 49.8/47.6 |
| R1621 | 7030003320 | S.RES ERJ3GEYJ 101 V (10K) | T | 42.0/58.8 |
| R1622 | 7030003490 | S.RES ERJ3GEYJ 272 V (2.7K) | T | 37.2/52.0 |
| R1623 | 7030003490 | S.RES ERJ3GEYJ 272 V (2.7K) | T | 37.2/50.8 |
| R1624 | 7030003490 | S.RES ERJ3GEYJ 272 V (2.7K) | T | 40.3/52.0 |
| R1625 | 7030003490 | S.RES ERJ3GEYJ 272 V (2.7K) | T | 40.3/50.8 |
| R1626 | 7030003460 | S.RES ERJ3GEYJ 152 V (1.5K) | T | 36.0/59.4 |
| R1627 | 7030003460 | S.RES ERJ3GEYJ 152 V (1.5K) | T | 38.9/58.2 |
| R1628 | 7030003320 | S.RES ERJ3GEYJ 101 V (10K) | T | 33.3/59.4 |
| R1629 | 7030003320 | S.RES ERJ3GEYJ 101 V (10K) | T | 38.9/60.6 |
| R1641 | 7030003320 | S.RES ERJ3GEYJ 101 V (10K) | T | 52.8/59.4 |
| R1642 | 7030003490 | S.RES ERJ3GEYJ 272 V (2.7K) | T | 50.1/53.2 |
| R1643 | 7030003490 | S.RES ERJ3GEYJ 272 V (2.7K) | T | 47.5/52.0 |
| R1644 | 7030003490 | S.RES ERJ3GEYJ 272 V (2.7K) | T | 52.7/53.2 |
| R1645 | 7030003490 | S.RES ERJ3GEYJ 272 V (2.7K) | T | 52.1/52.0 |
| R1646 | 7030003460 | S.RES ERJ3GEYJ 152 V (1.5K) | T | 47.0/59.7 |
| R1647 | 7030003460 | S.RES ERJ3GEYJ 152 V (1.5K) | T | 49.8/58.4 |
| R1648 | 7030003320 | S.RES ERJ3GEYJ 101 V (10K) | T | 44.4/59.7 |
| R1649 | 7030003320 | S.RES ERJ3GEYJ 101 V (10K) | T | 49.8/60.9 |
| R1661 | 7030003320 | S.RES ERJ3GEYJ 101 V (10K) | T | 22.1/64.2 |
| R1662 | 7030003320 | S.RES ERJ3GEYJ 101 V (10K) | T | 29.0/61.4 |
| R1663 | | | | |

[MAIN UNIT]

| REF NO. | PARTS NO. | DESCRIPTION | M. | H/V LOCATION |
|---------|------------|-----------------------------|----|--------------|
| R1709 | 7030003500 | S.RES ERJ3GEYJ 332 V (3.3K) | T | 5.4/69.1 |
| R1710 | 7030003540 | S.RES ERJ3GEYJ 682 V (6.8K) | T | 5.4/67.9 |
| R1711 | 7030003540 | S.RES ERJ3GEYJ 682 V (6.8K) | T | 8.7/66.0 |
| R1712 | 7030003500 | S.RES ERJ3GEYJ 332 V (3.3K) | T | 12.7/67.2 |
| R1713 | 7030003540 | S.RES ERJ3GEYJ 682 V (6.8K) | T | 12.7/66.0 |
| R1714 | 7030003540 | S.RES ERJ3GEYJ 682 V (6.8K) | T | 15.6/66.0 |
| R1716 | 7030003320 | S.RES ERJ3GEYJ 101 V (100) | T | 15.7/75.2 |
| R1717 | 7030003560 | S.RES ERJ3GEYJ 103 V (10K) | T | 12.5/77.0 |
| R2011 | 7030003560 | S.RES ERJ3GEYJ 103 V (10K) | T | 59.8/79.9 |
| R2012 | 7030003670 | S.RES ERJ3GEYJ 823 V (82K) | T | 59.8/81.1 |
| R2013 | 7030005691 | S.RES ERA3YED 123V (12K) | T | 59.8/77.0 |
| R2015 | 7030003480 | S.RES ERJ3GEYJ 222 V (2.2K) | T | 65.6/78.1 |
| R2016 | 7030003520 | S.RES ERJ3GEYJ 472 V (4.7K) | T | 67.1/76.9 |
| R2017 | 7030003400 | S.RES ERJ3GEYJ 471 V (470) | T | 68.8/79.7 |
| R2018 | 7030003330 | S.RES ERJ3GEYJ 121 V (120) | T | 68.8/80.9 |
| R2023 | 7030003310 | S.RES ERJ3GEYJ 820 V (82) | T | 63.1/55.0 |
| R2024 | 7030003310 | S.RES ERJ3GEYJ 820 V (82) | T | 60.4/55.0 |
| R2025 | 7030003310 | S.RES ERJ3GEYJ 820 V (82) | T | 63.1/53.8 |
| R2042 | 7030003800 | S.RES ERJ3GEYJ 105 V (1M) | T | 74.6/71.6 |
| R2043 | 7030003440 | S.RES ERJ3GEYJ 102 V (1K) | T | 77.2/58.6 |
| R2044 | 7030003440 | S.RES ERJ3GEYJ 102 V (1K) | T | 77.2/59.8 |
| R2045 | 7030003440 | S.RES ERJ3GEYJ 102 V (1K) | T | 77.2/61.0 |
| R2053 | 7030003320 | S.RES ERJ3GEYJ 101 V (100) | T | 61.5/51.6 |
| R2054 | 7030003280 | S.RES ERJ3GEYJ 470 V (47) | T | 71.6/57.1 |
| R2061 | 7030003280 | S.RES ERJ3GEYJ 470 V (47) | T | 76.4/81.3 |
| R2062 | 7030003240 | S.RES ERJ3GEYJ 220 V (22) | T | 76.4/82.5 |
| R2071 | 7030003860 | S.RES ERJ3GE JPW V | T | 84.7/68.1 |
| R2101 | 7030003260 | S.RES ERJ3GEYJ 330 V (33) | T | 86.0/64.3 |
| R2104 | 7030003280 | S.RES ERJ3GEYJ 470 V (47) | T | 96.1/58.5 |
| R2105 | 7030003340 | S.RES ERJ3GEYJ 151 V (150) | T | 84.5/65.5 |
| R2106 | 7030003340 | S.RES ERJ3GEYJ 151 V (150) | T | 87.5/65.5 |
| R2500 | 7030003240 | S.RES ERJ3GEYJ 220 V (22) | T | 55.6/80.2 |
| R2501 | 7030003240 | S.RES ERJ3GEYJ 220 V (22) | T | 55.6/79.4 |
| R2502 | 7030003640 | S.RES ERJ3GEYJ 473 V (47K) | T | 49.8/85.2 |
| R2503 | 7030003640 | S.RES ERJ3GEYJ 473 V (47K) | T | 48.7/80.2 |
| R2542 | 7030003860 | S.RES ERJ3GE JPW V | T | 50.7/92.7 |
| R2543 | 7030003440 | S.RES ERJ3GEYJ 102 V (1K) | T | 39.8/88.5 |
| R2544 | 7030003860 | S.RES ERJ3GE JPW V | T | 49.1/86.8 |
| R2546 | 7030003330 | S.RES ERJ3GEYJ 121 V (120) | T | 55.2/93.7 |
| R2548 | 7030003440 | S.RES ERJ3GEYJ 102 V (1K) | T | 36.6/93.6 |
| R2549 | 7030003440 | S.RES ERJ3GEYJ 102 V (1K) | T | 36.6/94.8 |
| R2550 | 7030003440 | S.RES ERJ3GEYJ 102 V (1K) | T | 36.6/96.0 |
| R2551 | 7030003860 | S.RES ERJ3GE JPW V | T | 36.6/97.2 |
| R2552 | 7030003330 | S.RES ERJ3GEYJ 121 V (120) | T | 55.2/91.1 |
| R2553 | 7030003470 | S.RES ERJ3GEYJ 182 V (1.8K) | T | 51.3/95.9 |
| R2554 | 7030003440 | S.RES ERJ3GEYJ 102 V (1K) | T | 39.8/96.9 |
| R2555 | 7030003560 | S.RES ERJ3GEYJ 103 V (10K) | T | 40.8/98.4 |
| R2556 | 7030003470 | S.RES ERJ3GEYJ 182 V (1.8K) | T | 51.3/97.1 |
| R2557 | 7030003860 | S.RES ERJ3GE JPW V | T | 40.2/87.0 |
| R2590 | 7030003240 | S.RES ERJ3GEYJ 220 V (22) | T | 93.2/96.7 |
| R2591 | 7030003240 | S.RES ERJ3GEYJ 220 V (22) | T | 93.2/95.5 |
| R2592 | 7030003400 | S.RES ERJ3GEYJ 471 V (470) | T | 93.2/93.0 |
| R2593 | 7030003400 | S.RES ERJ3GEYJ 471 V (470) | T | 95.8/95.5 |
| R2594 | 7030003340 | S.RES ERJ3GEYJ 151 V (150) | T | 54.4/88.1 |
| R2595 | 7030003400 | S.RES ERJ3GEYJ 471 V (470) | T | 54.6/97.5 |
| R2596 | 7030003330 | S.RES ERJ3GEYJ 121 V (120) | T | 54.4/86.9 |
| R2597 | 7030003340 | S.RES ERJ3GEYJ 151 V (150) | T | 68.5/91.5 |
| R2598 | 7030003400 | S.RES ERJ3GEYJ 471 V (470) | T | 68.7/96.4 |
| R2599 | 7030003330 | S.RES ERJ3GEYJ 121 V (120) | T | 67.8/89.6 |
| R2701 | 7030003440 | S.RES ERJ3GEYJ 102 V (1K) | T | 99.5/83.9 |
| R2702 | 7030003440 | S.RES ERJ3GEYJ 102 V (1K) | T | 98.0/82.6 |
| R2703 | 7030003440 | S.RES ERJ3GEYJ 102 V (1K) | T | 98.0/81.4 |
| R2711 | 7030003390 | S.RES ERJ3GEYJ 391 V (390) | T | 109.7/89.8 |
| R2715 | 7030003390 | S.RES ERJ3GEYJ 391 V (390) | T | 145.0/96.3 |
| R2801 | 7030003390 | S.RES ERJ3GEYJ 391 V (390) | T | 115.4/94.0 |
| R2802 | 7030003260 | S.RES ERJ3GEYJ 330 V (33) | T | 135.9/97.2 |
| R2803 | 7030003340 | S.RES ERJ3GEYJ 151 V (150) | T | 135.9/94.8 |
| R2804 | 7030003340 | S.RES ERJ3GEYJ 151 V (150) | T | 137.0/96.0 |
| R2805 | 7030003390 | S.RES ERJ3GEYJ 391 V (390) | T | 140.1/92.6 |
| R2806 | 7030003680 | S.RES ERJ3GEYJ 104 V (100K) | T | 141.8/93.9 |
| R2851 | 7030003390 | S.RES ERJ3GEYJ 391 V (390) | T | 115.5/88.9 |
| R2852 | 7030003240 | S.RES ERJ3GEYJ 220 V (22) | T | 135.9/90.4 |
| R2853 | 7030003400 | S.RES ERJ3GEYJ 471 V (470) | T | 134.4/89.2 |
| R2854 | 7030003400 | S.RES ERJ3GEYJ 471 V (470) | T | 137.0/89.2 |
| R2855 | 7030003390 | S.RES ERJ3GEYJ 391 V (390) | T | 140.3/85.8 |
| R2856 | 7030003680 | S.RES ERJ3GEYJ 104 V (100K) | T | 141.8/87.0 |
| R2857 | 7030003240 | S.RES ERJ3GEYJ 220 V (22) | T | 135.9/91.6 |
| R2901 | 7030003390 | S.RES ERJ3GEYJ 391 V (390) | T | 115.5/82.2 |
| R2902 | 7030003260 | S.RES ERJ3GEYJ 330 V (33) | T | 135.9/83.6 |
| R2903 | 7030003340 | S.RES ERJ3GEYJ 151 V (150) | T | 135.9/81.2 |
| R2904 | 7030003340 | S.RES ERJ3GEYJ 151 V (150) | T | 137.0/82.4 |
| R2905 | 7030003390 | S.RES ERJ3GEYJ 391 V (390) | T | 140.0/79.1 |
| R2906 | 7030003680 | S.RES ERJ3GEYJ 104 V (100K) | T | 141.8/80.3 |
| R2950 | 7030003260 | S.RES ERJ3GEYJ 330 V (33) | T | 135.3/77.6 |
| R2951 | 7030003390 | S.RES ERJ3GEYJ 391 V (390) | T | 115.5/75.4 |
| R2952 | 7030003260 | S.RES ERJ3GEYJ 330 V (33) | T | 136.8/77.6 |
| R2953 | 7030003320 | S.RES ERJ3GEYJ 101 V (100) | T | 135.9/74.4 |
| R2954 | 7030003320 | S.RES ERJ3GEYJ 101 V (100) | T | 137.0/75.6 |
| R2955 | 7030003390 | S.RES ERJ3GEYJ 391 V (390) | T | 140.2/72.2 |
| R2956 | 7030003680 | S.RES ERJ3GEYJ 104 V (100K) | T | 141.7/73.4 |
| R2957 | 7030003440 | S.RES ERJ3GEYJ 102 V (1K) | T | 17.5/37.0 |
| R2958 | 7030003440 | S.RES ERJ3GEYJ 102 V (1K) | T | 28.1/39.9 |
| R2959 | 7030003440 | S.RES ERJ3GEYJ 102 V (1K) | T | 20.4/37.3 |
| R2960 | 7030003320 | S.RES ERJ3GEYJ 101 V (100) | T | 20.4/38.5 |
| R2961 | 7030003320 | S.RES ERJ3GEYJ 101 V (100) | T | 20.4/39.7 |
| R2962 | 7030003440 | S.RES ERJ3GEYJ 102 V (1K) | T | 20.4/40.9 |
| R2963 | 7030003440 | S.RES ERJ3GEYJ 102 V (1K) | T | 20.4/42.1 |
| R2994 | 7030003320 | S.RES ERJ3GEYJ 101 V (100) | T | 152.5/6.3 |

Eqv.= This component is equivalent to the REF No. component listed above, and may be substituted on parts orders and repairs.

[MAIN UNIT]

| REF NO. | PARTS NO. | DESCRIPTION | M. | H/V LOCATION |
|---------|------------|-----------------------------|----|--------------|
| R2995 | 7030003320 | S.RES ERJ3GEYJ 101 V (100) | T | 152.1/5.1 |
| R2996 | 7030003320 | S.RES ERJ3GEYJ 101 V (100) | T | 151.7/3.9 |
| R2997 | 7030003320 | S.RES ERJ3GEYJ 101 V (100) | T | 151.3/2.7 |
| R3000 | 7030003680 | S.RES ERJ3GEYJ 104 V (100K) | T | 135.6/53.3 |
| R3001 | 7030003680 | S.RES ERJ3GEYJ 104 V (100K) | T | 137.8/45.3 |
| R3012 | 7030003360 | S.RES ERJ3GEYJ 221 V (220) | T | 177.2/2.8 |
| R3013 | 7030003360 | S.RES ERJ3GEYJ 221 V (220) | T | 175.9/13.7 |
| R3014 | 7030003360 | S.RES ERJ3GEYJ 221 V (220) | T | 185.9/4.7 |
| R3015 | 7030003360 | S.RES ERJ3GEYJ 221 V (220) | T | 182.1/12.4 |
| R3016 | 7030003360 | S.RES ERJ3GEYJ 221 V (220) | T | 186.5/10.8 |
| R3018 | 7030003860 | S.RES ERJ3GE JPW V | T | 2.8/75.5 |
| R3201 | 7030003600 | S.RES ERJ3GEYJ 223 V (22K) | T | 171.8/62.8 |
| R3202 | 7030003600 | S.RES ERJ3GEYJ 223 V (22K) | T | 171.8/61.6 |
| R3203 | 7030003400 | S.RES ERJ3GEYJ 471 V (470) | T | 173.4/57.8 |
| R3204 | 7030003680 | S.RES ERJ3GEYJ 104 V (100K) | T | 172.9/60.2 |
| R3205 | 7030003560 | S.RES ERJ3GEYJ 103 V (10K) | T | 170.7/57.8 |
| R3206 | 7030003680 | S.RES ERJ3GEYJ 104 V (100K) | T | 171.8/55.4 |
| R3207 | 7030003800 | S.RES ERJ3GEYJ 105 V (1M) | T | 178.8/54.3 |
| R3208 | 7030005691 | S.RES ERA3YED 123V (12K) | T | 182.4/55.2 |
| R3209 | 7030003240 | S.RES ERJ3GEYJ 220 V (22) | T | 183.9/41.0 |
| R3210 | 7030003240 | S.RES ERJ3GEYJ 220 V (22) | T | 183.9/42.2 |
| R3211 | 7030003640 | S.RES ERJ3GEYJ 473 V (47K) | T | 188.1/57.2 |
| R3212 | 7030003680 | S.RES ERJ3GEYJ 104 V (100K) | T | 181.5/63.7 |
| R3213 | 7030003680 | S.RES ERJ3GEYJ 104 V (100K) | T | 180.9/64.9 |
| R3214 | 7030003460 | S.RES ERJ3GEYJ 152 V (1.5K) | T | 183.9/43.5 |
| R3215 | 7030003800 | S.RES ERJ3GEYJ 105 V (1M) | T | 183.9/39.8 |
| R3216 | 7030003800 | S.RES ERJ3GEYJ 105 V (1M) | T | 176.6/34.4 |
| R3217 | 7030003520 | S.RES ERJ3GEYJ 472 V (4.7K) | T | 179.7/73.3 |
| R3218 | 7030003560 | S.RES ERJ3GEYJ 103 V (10K) | T | 177.0/73.3 |
| R3219 | 7030003590 | S.RES ERJ3GEYJ 183 V (18K) | T | 164.3/73.0 |
| R3220 | 7030003560 | S.RES ERJ3GEYJ 103 V (10K) | T | 166.9/73.0 |
| R3221 | 7030003640 | S.RES ERJ3GEYJ 473 V (47K) | T | 166.1/68.8 |
| R3222 | 7030003590 | S.RES ERJ3GEYJ 183 V (18K) | T | 166.9/70.9 |
| R3223 | 7030003680 | S.RES ERJ3GEYJ 104 V (100K) | T | 173.2/74.0 |
| R3224 | 7030003680 | S.RES ERJ3GEYJ 104 V (100K) | T | 172.3/67.2 |
| R3225 | 7030003860 | S.RES ERJ3GE JPW V | T | 189.5/38.9 |
| R3226 | 7030003860 | S.RES ERJ3GE JPW V | T | 185.3/46.4 |
| R3227 | 7030003400 | S.RES ERJ3GEYJ 471 V (470) | T | 83.6/37.5 |
| R3229 | 7030003440 | S.RES ERJ3GEYJ 102 V (1K) | T | 16.2/8.7 |
| R3230 | 7030003440 | S.RES ERJ3GEYJ 102 V (1K) | T | 15.1/10.2 |
| R3231 | 7030003440 | S.RES ERJ3GEYJ 102 V (1K) | T | 15.1/11.7 |
| R3232 | 7030003440 | S.RES ERJ3GEYJ 102 V (1K) | T | 15.1/13.3 |
| R3233 | 7030003440 | S.RES ERJ3GEYJ 102 V (1K) | T | 17.7/16.0 |
| R3234 | 7030003280 | S.RES ERJ3GEYJ 470 V (47) | T | 117.7/49.3 |
| R3235 | 7030003640 | S.RES ERJ3GEYJ 473 V (47K) | T | 163.5/68.8 |
| R3236 | 7030003860 | S.RES ERJ3GE JPW V | T | 166.8/65.7 |
| R3237 | 7030003860 | S.RES ERJ3GE JPW V | T | 162.7/62.6 |
| R3242 | 7030010570 | S.RES ERJ1TYJ 4R7U (4.7) | T | 8.7/95.8 |
| R3243 | 7030010570 | S.RES ERJ1TYJ 4R7U (4.7) | T | 16.1/95.8 |
| R3244 | 7030010570 | S.RES ERJ1TYJ 4R7U (4.7) | T | 12.4/95.8 |
| R3248 | 7030003860 | S.RES ERJ3GE JPW V | T | 167.8/59.1 |
| R3249 | 7030003860 | S.RES ERJ3GE JPW V | T | 177.7/75.2 |
| R3250 | 7030003860 | S.RES ERJ3GE JPW V | T | 175.5/75.1 |
| R3251 | 7030003860 | S.RES ERJ3GE JPW V | T | 174.7/67.1 |
| R3253 | 7030003860 | S.RES ERJ3GE JPW V | T | 165.5/63.1 |
| R3254 | 7030003860 | S.RES ERJ3GE JPW V | T | 161.6/69.6 |
| C1 | 4030006880 | S.CER C1608 JB 1H 472K-T | T | 173.7/24.2 |
| C2 | 4030006880 | S.CER C1608 JB 1H 472K-T | T | 179.3/27.2 |
| C6 | 4030007090 | S.CER C1608 CH 1H 470J-T | T | 19.3/30.4 |
| C9 | 4030007090 | S.CER C1608 CH 1H 470J-T | T | 16.9/19.6 |
| C10 | 4030007090 | S.CER C1608 CH 1H 470J-T | T | 19.3/29.2 |
| C11 | 4030007090 | S.CER C1608 CH 1H 470J-T | T | 19.3/31.6 |
| C12 | 4030007090 | S.CER C1608 CH 1H 470J-T | T | 19.7/34.0 |
| C14 | 4030007090 | S.CER C1608 CH 1H 470J-T | T | 17.1/34.6 |
| C16 | 4030006860 | S.CER C1608 JB 1H 102K-T | T | 17.4/3.2 |
| C17 | 4030011600 | S.CER C1608 JB 1E 104K-T | T | 193.0/33.8 |
| C18 | 4030006860 | S.CER C1608 JB 1H 102K-T | T | 120.1/17.6 |
| C19 | 4030006860 | S.CER C1608 JB 1H 102K-T | T | 113.6/19.4 |
| C21 | 4030006880 | S.CER C1608 JB 1H 472K-T | T | 7.4/33.1 |
| C22 | 4030006860 | S.CER C1608 JB 1H 102K-T | T | 61.0/44.6 |
| C23 | 4030006860 | S.CER C1608 JB 1H 102K-T | T | 125.6/19.4 |
| C24 | 4030006880 | S.CER C1608 JB 1H 472K-T | T | 4.8/39.0 |
| C25 | 4030006860 | S.CER C1608 JB 1H 102K-T | T | 20.9/4.9 |
| C26 | 4030006880 | S.CER C1608 JB 1H 472K-T | T | 7.4/37.1 |
| C27 | 4030006880 | S.CER C1608 JB 1H 472K-T | T | 7.4/34.3 |
| C28 | 4030006880 | S.CER C1608 JB 1H 472K-T | T | 18.3/25.6 |
| C29 | 4030006880 | S.CER C1608 JB 1H 472K-T | T | 4.8/37.8 |
| C30 | 4030006880 | | | |

[MAIN UNIT]

| REF NO. | PARTS NO. | DESCRIPTION | M. | H/V LOCATION |
|---------|------------|--------------------------|----|--------------|
| C49 | 4030011600 | S.CER C1608 JB 1E 104K-T | T | 4.5/29.7 |
| C50 | 4030007120 | S.CER C1608 CH 1H 820J-T | T | 144.3/20.9 |
| C51 | 4030007110 | S.CER C1608 CH 1H 680J-T | T | 146.9/21.6 |
| C52 | 4030007070 | S.CER C1608 CH 1H 330J-T | T | 146.9/23.1 |
| C53 | 4030006860 | S.CER C1608 JB 1H 102K-T | T | 180.8/78.0 |
| C56 | 4030011600 | S.CER C1608 JB 1E 104K-T | T | 4.5/31.4 |
| C57 | 4030011600 | S.CER C1608 JB 1E 104K-T | T | 169.5/75.2 |
| C59 | 4030007130 | S.CER C1608 CH 1H 101J-T | T | 170.6/74.0 |
| C60 | 4030007090 | S.CER C1608 CH 1H 470J-T | T | 17.5/20.8 |
| C61 | 4030011600 | S.CER C1608 JB 1E 104K-T | T | 6.1/43.3 |
| C62 | 4510009820 | S.ELE EEEFK1C470P | T | 5.3/49.3 |
| C63 | 4030006880 | S.CER C1608 JB 1H 472K-T | T | 164.8/21.3 |
| C64 | 4030011600 | S.CER C1608 JB 1E 104K-T | T | 100.8/20.1 |
| C65 | 4030011600 | S.CER C1608 JB 1E 104K-T | T | 52.0/72.1 |
| C66 | 4030007130 | S.CER C1608 CH 1H 101J-T | T | 127.5/25.0 |
| C67 | 4030018620 | S.CER C1608 CH 1H 222J-T | T | 186.9/32.9 |
| C68 | 4030011600 | S.CER C1608 JB 1E 104K-T | T | 98.6/26.3 |
| C69 | 4030007130 | S.CER C1608 CH 1H 101J-T | T | 98.9/15.8 |
| C71 | 4030007090 | S.CER C1608 CH 1H 470J-T | T | 151.2/72.8 |
| C81 | 4030006880 | S.CER C1608 JB 1H 472K-T | T | 155.7/68.0 |
| C501 | 4030007100 | S.CER C1608 CH 1H 560J-T | T | 157.3/73.6 |
| C502 | 4030006880 | S.CER C1608 JB 1H 472K-T | T | 160.5/75.1 |
| C503 | 4030011600 | S.CER C1608 JB 1E 104K-T | T | 160.5/73.9 |
| C504 | 4030006900 | S.CER C1608 JB 1H 103K-T | T | 156.3/81.4 |
| C505 | 4030006900 | S.CER C1608 JB 1H 103K-T | T | 153.1/77.7 |
| C506 | 4030006900 | S.CER C1608 JB 1H 103K-T | T | 153.1/75.2 |
| C507 | 4030011600 | S.CER C1608 JB 1E 104K-T | T | 157.6/35.7 |
| C508 | 4030011600 | S.CER C1608 JB 1E 104K-T | T | 152.4/35.7 |
| C510 | 4030011600 | S.CER C1608 JB 1E 104K-T | T | 160.0/49.0 |
| C512 | 4030011600 | S.CER C1608 JB 1E 104K-T | T | 159.7/56.7 |
| C513 | 4030007150 | S.CER C1608 CH 1H 151J-T | T | 154.4/53.3 |
| C514 | 4030011600 | S.CER C1608 JB 1E 104K-T | T | 151.3/25.0 |
| C515 | 4030007070 | S.CER C1608 CH 1H 330J-T | T | 154.4/56.7 |
| C516 | 4030006880 | S.CER C1608 JB 1H 472K-T | T | 155.7/58.0 |
| C518 | 4030007100 | S.CER C1608 CH 1H 560J-T | T | 157.3/72.4 |
| C520 | 4030011600 | S.CER C1608 JB 1E 104K-T | T | 154.6/23.2 |
| C521 | 4030006860 | S.CER C1608 JB 1H 102K-T | T | 143.3/42.7 |
| C522 | 4030006880 | S.CER C1608 JB 1H 472K-T | T | 139.3/26.2 |
| C524 | 4030006880 | S.CER C1608 JB 1H 472K-T | T | 144.7/47.3 |
| C525 | 4030006880 | S.CER C1608 JB 1H 472K-T | T | 139.5/55.7 |
| C526 | 4030006880 | S.CER C1608 JB 1H 472K-T | T | 142.1/54.5 |
| C527 | 4030006880 | S.CER C1608 JB 1H 472K-T | T | 146.3/56.3 |
| C528 | 4030006880 | S.CER C1608 JB 1H 472K-T | T | 151.5/55.1 |
| C529 | 4030006880 | S.CER C1608 JB 1H 472K-T | T | 141.6/59.5 |
| C530 | 4030006880 | S.CER C1608 JB 1H 472K-T | T | 145.2/50.2 |
| C531 | 4030006880 | S.CER C1608 JB 1H 472K-T | T | 162.9/54.2 |
| C532 | 4030010000 | S.CER C1608 CH 1H 510J-T | T | 158.0/61.7 |
| C533 | 4030006880 | S.CER C1608 JB 1H 472K-T | T | 168.3/44.4 |
| C534 | 4030011600 | S.CER C1608 JB 1E 104K-T | T | 143.5/30.5 |
| C535 | 4030010760 | S.CER C1608 CH 1H 331J-T | T | 144.1/35.0 |
| C536 | 4030011600 | S.CER C1608 JB 1E 104K-T | T | 147.8/38.0 |
| C537 | 4030006860 | S.CER C1608 JB 1H 102K-T | T | 147.8/36.7 |
| C538 | 4030006860 | S.CER C1608 JB 1H 102K-T | T | 145.2/41.9 |
| C539 | 4030011600 | S.CER C1608 JB 1E 104K-T | T | 145.2/43.1 |
| C540 | 4030006860 | S.CER C1608 JB 1H 102K-T | T | 142.1/40.8 |
| C541 | 4030006880 | S.CER C1608 JB 1H 472K-T | T | 158.6/63.1 |
| C542 | 4030006980 | S.CER C1608 CH 1H 070D-T | T | 137.9/61.4 |
| C543 | 4030009520 | S.CER C1608 CH 1H 020B-T | T | 134.9/65.3 |
| C544 | 4030009520 | S.CER C1608 CH 1H 020B-T | T | 145.1/64.5 |
| C545 | 4030006880 | S.CER C1608 JB 1H 472K-T | T | 124.7/65.7 |
| C546 | 4030011600 | S.CER C1608 JB 1E 104K-T | T | 140.9/40.8 |
| C547 | 4030007100 | S.CER C1608 CH 1H 560J-T | T | 147.8/41.9 |
| C548 | 4030011600 | S.CER C1608 JB 1E 104K-T | T | 143.4/27.5 |
| C549 | 4030007100 | S.CER C1608 CH 1H 560J-T | T | 147.8/43.1 |
| C550 | 4030011600 | S.CER C1608 JB 1E 104K-T | T | 138.8/38.9 |
| C551 | 4030006880 | S.CER C1608 JB 1H 472K-T | T | 119.9/61.9 |
| C552 | 4030006880 | S.CER C1608 JB 1H 472K-T | T | 125.2/49.8 |
| C553 | 4030006880 | S.CER C1608 JB 1H 472K-T | T | 133.2/58.1 |
| C554 | 4030006860 | S.CER C1608 JB 1H 102K-T | T | 131.3/48.5 |
| C555 | 4030006880 | S.CER C1608 JB 1H 472K-T | T | 137.3/50.7 |
| C556 | 4030008360 | S.CER C1608 UJ 1H 101J-T | T | 135.2/44.8 |
| C557 | 4030006880 | S.CER C1608 JB 1H 472K-T | T | 131.1/47.3 |
| C558 | 4030006880 | S.CER C1608 JB 1H 472K-T | T | 124.8/38.3 |
| C559 | 4030008360 | S.CER C1608 UJ 1H 101J-T | T | 133.0/53.3 |
| C560 | 4030006880 | S.CER C1608 JB 1H 472K-T | T | 124.8/42.2 |
| C565 | 4030011600 | S.CER C1608 JB 1E 104K-T | T | 148.9/30.2 |
| C566 | 4030011600 | S.CER C1608 JB 1E 104K-T | T | 149.3/27.6 |
| C567 | 4030006880 | S.CER C1608 JB 1H 472K-T | T | 169.4/48.6 |
| C572 | 4030011600 | S.CER C1608 JB 1E 104K-T | T | 120.3/43.1 |
| C574 | 4030006880 | S.CER C1608 JB 1H 472K-T | T | 118.0/57.2 |
| C575 | 4030011600 | S.CER C1608 JB 1E 104K-T | T | 94.4/45.1 |
| C576 | 4030011600 | S.CER C1608 JB 1E 104K-T | T | 128.3/35.6 |
| C577 | 4030011600 | S.CER C1608 JB 1E 104K-T | T | 84.3/38.7 |
| C578 | 4030011600 | S.CER C1608 JB 1E 104K-T | T | 111.9/32.3 |
| C581 | 4030007090 | S.CER C1608 CH 1H 470J-T | T | 118.8/28.8 |
| C583 | 4030011600 | S.CER C1608 JB 1E 104K-T | T | 124.7/37.0 |
| C584 | 4510009820 | S.ELE EEEFK1C470P | T | 128.6/30.0 |
| C585 | 4030011600 | S.CER C1608 JB 1E 104K-T | T | 122.3/28.8 |
| C586 | 4030006880 | S.CER C1608 JB 1H 472K-T | T | 118.6/23.1 |
| C587 | 4030006880 | S.CER C1608 JB 1H 472K-T | T | 112.6/27.8 |
| C588 | 4030011600 | S.CER C1608 JB 1E 104K-T | T | 115.2/27.8 |
| C589 | 4030011600 | S.CER C1608 JB 1E 104K-T | T | 113.6/34.7 |
| C590 | 4030011600 | S.CER C1608 JB 1E 104K-T | T | 57.8/44.6 |
| C591 | 4030011600 | S.CER C1608 JB 1E 104K-T | T | 108.2/38.5 |
| C594 | 4030011600 | S.CER C1608 JB 1E 104K-T | T | 72.4/41.8 |
| C595 | 4030019490 | S.CER C2012 JB 1A 106K-T | T | 75.6/41.2 |
| C596 | 4030006880 | S.CER C1608 JB 1H 472K-T | T | 81.7/48.0 |
| C597 | 4030017490 | S.CER C1608 JB 1A 105K-T | T | 76.5/45.4 |

Eqv.= This component is equivalent to the REF No. component listed above, and may be substituted on parts orders and repairs.

[MAIN UNIT]

| REF NO. | PARTS NO. | DESCRIPTION | M. | H/V LOCATION |
|---------|------------|--------------------------|----|--------------|
| C598 | 4030011600 | S.CER C1608 JB 1E 104K-T | T | 79.1/45.4 |
| C599 | 4030006880 | S.CER C1608 JB 1H 472K-T | T | 75.0/43.4 |
| C600 | 4030006880 | S.CER C1608 JB 1H 472K-T | T | 72.4/43.4 |
| C601 | 4030011600 | S.CER C1608 JB 1E 104K-T | T | 107.7/30.2 |
| C602 | 4030011600 | S.CER C1608 JB 1E 104K-T | T | 96.7/35.7 |
| C603 | 4030007060 | S.CER C1608 CH 1H 270J-T | T | 166.9/57.5 |
| C604 | 4030007040 | S.CER C1608 CH 1H 180J-T | T | 166.9/56.3 |
| C605 | 4030007090 | S.CER C1608 CH 1H 470J-T | T | 168.9/52.5 |
| C607 | 4030007050 | S.CER C1608 CH 1H 220J-T | T | 166.2/48.7 |
| C618 | 4030011600 | S.CER C1608 JB 1E 104K-T | T | 93.3/32.2 |
| C619 | 4030011600 | S.CER C1608 JB 1E 104K-T | T | 90.2/34.5 |
| C620 | 4030011600 | S.CER C1608 JB 1E 104K-T | T | 89.9/27.4 |
| C621 | 4030011600 | S.CER C1608 JB 1E 104K-T | T | 84.7/35.6 |
| C622 | 4030011600 | S.CER C1608 JB 1E 104K-T | T | 84.8/32.1 |
| C623 | 4030019460 | S.CER C1608 JB 0J 106M-T | T | 87.3/28.5 |
| C651 | 4030006880 | S.CER C1608 JB 1H 472K-T | T | 160.4/53.2 |
| C652 | 4030011600 | S.CER C1608 JB 1E 104K-T | T | 88.3/44.4 |
| C653 | 4030006860 | S.CER C1608 JB 1H 102K-T | T | 88.3/48.0 |
| C654 | 4030007140 | S.CER C1608 CH 1H 121J-T | T | 88.3/50.0 |
| C655 | 4030011600 | S.CER C1608 JB 1E 104K-T | T | 90.0/55.0 |
| C656 | 4030011600 | S.CER C1608 JB 1E 104K-T | T | 98.4/51.3 |
| C657 | 4030019090 | S.CER C2012 JB 1C 225M-T | T | 90.4/57.8 |
| C658 | 4030011600 | S.CER C1608 JB 1E 104K-T | T | 97.0/45.1 |
| C659 | 4030007140 | S.CER C1608 CH 1H 121J-T | T | 98.5/46.3 |
| C660 | 4030011600 | S.CER C1608 JB 1E 104K-T | T | 95.5/41.5 |
| C661 | 4030006860 | S.CER C1608 JB 1H 102K-T | T | 101.3/40.8 |
| C662 | 4030011600 | S.CER C1608 JB 1E 104K-T | T | 97.9/39.1 |
| C663 | 4030011600 | S.CER C1608 JB 1E 104K-T | T | 92.4/46.8 |
| C664 | 4030011600 | S.CER C1608 JB 1E 104K-T | T | 83.3/41.0 |
| C665 | 4030011600 | S.CER C1608 JB 1E 104K-T | T | 127.7/23.1 |
| C666 | 4030011600 | S.CER C1608 JB 1E 104K-T | T | 101.7/22.2 |
| C667 | 4030011600 | S.CER C1608 JB 1E 104K-T | T | 70.2/27.4 |
| C669 | 4030006900 | S.CER C1608 JB 1H 103K-T | T | 73.3/32.4 |
| C670 | 4030009880 | S.CER C1608 JB 1H 682K-T | T | 73.3/31.2 |
| C671 | 4030006900 | S.CER C1608 JB 1H 103K-T | T | 72.7/33.6 |
| C672 | 4030006860 | S.CER C1608 JB 1H 102K-T | T | 91.5/53.5 |
| C673 | 4030019460 | S.CER C1608 JB 0J 106M-T | T | 66.9/27.4 |
| C674 | 4030017490 | S.CER C1608 JB 1A 105K-T | T | 66.9/35.7 |
| C675 | 4030019460 | S.CER C1608 JB 0J 106M-T | T | 68.3/40.0 |
| C676 | 4030017490 | S.CER C1608 JB 1A 105K-T | T | 68.3/38.8 |
| C677 | 4030019460 | S.CER C1608 JB 0J 106M-T | T | 69.8/32.6 |
| C678 | 4030017490 | S.CER C1608 JB 1A 105K-T | T | 72.1/38.3 |
| C679 | 4030011600 | S.CER C1608 JB 1E 104K-T | T | 82.6/33.3 |
| C680 | 4030017490 | S.CER C1608 JB 1A 105K-T | T | 76.1/31.2 |
| C681 | 4030006900 | S.CER C1608 JB 1H 103K-T | T | 77.0/26.1 |
| C682 | 4030006880 | S.CER C1608 JB 1H 472K-T | T | 175.0/2.2 |
| C683 | 4030006880 | S.CER C1608 JB 1H 472K-T | T | 129.8/24.4 |
| C684 | 4030006860 | S.CER C1608 JB 1H 102K-T | T | 80.1/26.8 |
| C1021 | 4030019490 | S.CER C2012 JB 1A 106K-T | T | 61.5/47.3 |
| C1022 | 4030011600 | S.CER C1608 JB 1E 104K-T | T | 59.3/49.5 |
| C1023 | 4030017490 | S.CER C1608 JB 1A 105K-T | T | 63.6/46.9 |
| C1024 | 4030017490 | S.CER C1608 JB 1A 105K-T | T | 60.6/38.4 |
| C1025 | 4030019460 | S.CER C1608 JB 0J 106M-T | T | 54.5/51.1 |
| C1031 | 4030019460 | S.CER C1608 JB 0J 106M-T | T | 4.2/83.2 |
| C1032 | 4030019460 | S.CER C1608 JB 0J 106M-T | T | 8.6/74.6 |
| C1033 | 4030017490 | S.CER C1608 JB 1A 105K-T | T | 50.4/43.0 |
| C1034 | 4030011340 | S.CER C1608 CH 1H 471J-T | T | 51.6/40.6 |
| C1035 | 4030011600 | S.CER C1608 JB 1E 104K-T | T | 56.4/41.2 |
| C1036 | 4030019460 | S.CER C1608 JB 0J 106M-T | T | 165.8/97.3 |
| C1037 | 4030011600 | S.CER C1608 JB 1E 104K-T | T | 105.5/18.0 |
| C1038 | 4030019090 | S.CER C2012 JB 1C 225M-T | T | 108.0/16.7 |
| C1039 | 4030017490 | S.CER C1608 JB 1A 105K-T | T | 108.3/14.4 |
| C1040 | 4030019490 | S.CER C2012 JB 1A 106K-T | T | 103.9/20.5 |
| C1041 | 4030019460 | S.CER C1608 JB 0J 106M-T | T | 2.8/77.0 |
| C1043 | 4030019460 | S.CER C1608 JB 0J 106M-T | T | 53.5/43.0 |
| C1051 | 4030018620 | S.CER C1608 CH 1H 222J-T | T | 15.1/77.4 |
| C1053 | 4030011600 | S.CER C1608 JB 1E 104K-T | T | 21.2/80.6 |
| C1054 | 4030011600 | S.CER C1608 JB 1E 104K-T | T | 15.1/81.0 |
| C1055 | 4030007130 | S.CER C1608 CH 1H 101J-T | T | 45.2/77.4 |
| C1071 | 4030019460 | S.CER C1608 JB 0J 106M-T | T | 159.6/90.3 |
| C1072 | 4030019460 | S.CER C1608 JB 0J 106M-T | T | 9.5/82.0 |
| C1081 | 4030019460 | S.CER C1608 JB 0J 106M-T | T | 164.3/91.9 |
| C1082 | 4030011600 | S.CER C1608 JB 1E 104K-T | T | 165.8/96.1 |
| C1083 | 4030006860 | S.CER C1608 JB 1H 102K-T | T | 157.0/93.9 |
| C1085 | 403001 | | | |

[MAIN UNIT]

| REF NO. | PARTS NO. | DESCRIPTION | M. | H/V LOCATION |
|---------|------------|--------------------------|----|--------------|
| C1553 | 4030011600 | S.CER C1608 JB 1E 104K-T | T | 65.7/12.7 |
| C1554 | 4030011600 | S.CER C1608 JB 1E 104K-T | T | 66.2/20.8 |
| C1555 | 4030011600 | S.CER C1608 JB 1E 104K-T | T | 66.2/26.3 |
| C1556 | 4030011600 | S.CER C1608 JB 1E 104K-T | T | 48.6/34.0 |
| C1557 | 4030011600 | S.CER C1608 JB 1E 104K-T | T | 34.2/26.7 |
| C1558 | 4030011600 | S.CER C1608 JB 1E 104K-T | T | 35.0/18.5 |
| C1559 | 4030011600 | S.CER C1608 JB 1E 104K-T | T | 35.9/11.6 |
| C1560 | 4030011600 | S.CER C1608 JB 1E 104K-T | T | 50.3/3.6 |
| C1561 | 4030011600 | S.CER C1608 JB 1E 104K-T | T | 67.0/13.1 |
| C1562 | 4030011600 | S.CER C1608 JB 1E 104K-T | T | 65.4/7.3 |
| C1563 | 4030011600 | S.CER C1608 JB 1E 104K-T | T | 54.3/3.9 |
| C1564 | 4030011600 | S.CER C1608 JB 1E 104K-T | T | 48.8/3.6 |
| C1565 | 4030011600 | S.CER C1608 JB 1E 104K-T | T | 40.5/3.2 |
| C1566 | 4030011600 | S.CER C1608 JB 1E 104K-T | T | 35.0/15.9 |
| C1567 | 4030011600 | S.CER C1608 JB 1E 104K-T | T | 35.9/24.4 |
| C1568 | 4030011600 | S.CER C1608 JB 1E 104K-T | T | 35.9/30.4 |
| C1569 | 4030011600 | S.CER C1608 JB 1E 104K-T | T | 44.8/34.0 |
| C1570 | 4030011600 | S.CER C1608 JB 1E 104K-T | T | 52.2/34.0 |
| C1571 | 4030011600 | S.CER C1608 JB 1E 104K-T | T | 54.6/34.0 |
| C1572 | 4030011600 | S.CER C1608 JB 1E 104K-T | T | 58.8/33.3 |
| C1573 | 4030011600 | S.CER C1608 JB 1E 104K-T | T | 65.0/27.6 |
| C1574 | 4030011600 | S.CER C1608 JB 1E 104K-T | T | 65.0/19.2 |
| C1575 | 4030011600 | S.CER C1608 JB 1E 104K-T | T | 51.0/34.0 |
| C1576 | 4030011600 | S.CER C1608 JB 1E 104K-T | T | 61.4/33.3 |
| C1592 | 4030017490 | S.CER C1608 JB 1A 105K-T | T | 78.4/9.9 |
| C1593 | 4030017490 | S.CER C1608 JB 1A 105K-T | T | 78.9/24.3 |
| C1594 | 4030019460 | S.CER C1608 JB 0J 106M-T | T | 76.1/8.7 |
| C1595 | 4510009820 | S.ELE EEFFK1C470P | T | 78.0/4.5 |
| C1601 | 4030011600 | S.CER C1608 JB 1E 104K-T | T | 45.9/49.4 |
| C1602 | 4030019490 | S.CER C2012 JB 1A 106K-T | T | 48.9/49.3 |
| C1603 | 4030017490 | S.CER C1608 JB 1A 105K-T | T | 37.3/49.4 |
| C1604 | 4030017490 | S.CER C1608 JB 1A 105K-T | T | 53.8/46.7 |
| C1605 | 4030011600 | S.CER C1608 JB 1E 104K-T | T | 38.8/47.0 |
| C1606 | 4030011600 | S.CER C1608 JB 1E 104K-T | T | 43.3/44.3 |
| C1621 | 4030011600 | S.CER C1608 JB 1E 104K-T | T | 44.3/57.7 |
| C1622 | 4030019490 | S.CER C2012 JB 1A 106K-T | T | 44.4/56.2 |
| C1623 | 4030011600 | S.CER C1608 JB 1E 104K-T | T | 37.2/53.2 |
| C1624 | 4030018580 | S.CER C1608 CH 1H 821J-T | T | 36.0/58.2 |
| C1625 | 4030018580 | S.CER C1608 CH 1H 821J-T | T | 38.9/59.4 |
| C1626 | 4030011600 | S.CER C1608 JB 1E 104K-T | T | 40.7/53.2 |
| C1627 | 4030018620 | S.CER C1608 CH 1H 222J-T | T | 36.1/60.6 |
| C1641 | 4030011600 | S.CER C1608 JB 1E 104K-T | T | 55.5/57.9 |
| C1642 | 4030019490 | S.CER C2012 JB 1A 106K-T | T | 55.8/59.4 |
| C1643 | 4030011600 | S.CER C1608 JB 1E 104K-T | T | 47.5/53.2 |
| C1644 | 4030018580 | S.CER C1608 CH 1H 821J-T | T | 47.0/58.3 |
| C1645 | 4030018580 | S.CER C1608 CH 1H 821J-T | T | 49.8/59.6 |
| C1646 | 4030011600 | S.CER C1608 JB 1E 104K-T | T | 55.3/55.1 |
| C1647 | 4030018620 | S.CER C1608 CH 1H 222J-T | T | 47.0/60.9 |
| C1661 | 4030019490 | S.CER C2012 JB 1A 106K-T | T | 29.4/54.5 |
| C1662 | 4030011600 | S.CER C1608 JB 1E 104K-T | T | 30.9/54.5 |
| C1663 | 4030019490 | S.CER C2012 JB 1A 106K-T | T | 24.7/51.7 |
| C1664 | 4030011600 | S.CER C1608 JB 1E 104K-T | T | 29.0/57.8 |
| C1665 | 4030011600 | S.CER C1608 JB 1E 104K-T | T | 17.9/56.9 |
| C1666 | 4030011600 | S.CER C1608 JB 1E 104K-T | T | 16.7/56.9 |
| C1667 | 4030019490 | S.CER C2012 JB 1A 106K-T | T | 24.8/49.1 |
| C1668 | 4030011600 | S.CER C1608 JB 1E 104K-T | T | 21.8/48.8 |
| C1681 | 4030011600 | S.CER C1608 JB 1E 104K-T | T | 2.8/55.0 |
| C1691 | 4030011600 | S.CER C1608 JB 1E 104K-T | T | 29.5/24.7 |
| C1692 | 4030019490 | S.CER C2012 JB 1A 106K-T | T | 19.7/92.0 |
| C1693 | 4030019490 | S.CER C2012 JB 1A 106K-T | T | 10.2/88.9 |
| C1701 | 4030019490 | S.CER C2012 JB 1A 106K-T | T | 11.7/62.0 |
| C1702 | 4030019490 | S.CER C2012 JB 1A 106K-T | T | 17.9/65.9 |
| C1703 | 4030017800 | S.CER C1608 CH 1H 561J-T | T | 6.1/66.7 |
| C1704 | 4030007170 | S.CER C1608 CH 1H 221J-T | T | 5.4/70.3 |
| C1705 | 4030017800 | S.CER C1608 CH 1H 561J-T | T | 12.7/64.8 |
| C1706 | 4030007170 | S.CER C1608 CH 1H 221J-T | T | 8.7/67.2 |
| C1707 | 4030007170 | S.CER C1608 CH 1H 221J-T | T | 12.7/68.4 |
| C1708 | 4030007170 | S.CER C1608 CH 1H 221J-T | T | 15.6/67.2 |
| C1709 | 4030017490 | S.CER C1608 JB 1A 105K-T | T | 9.8/73.4 |
| C1710 | 4030017490 | S.CER C1608 JB 1A 105K-T | T | 17.2/71.6 |
| C1711 | 4030011600 | S.CER C1608 JB 1E 104K-T | T | 8.7/68.4 |
| C1712 | 4030019490 | S.CER C2012 JB 1A 106K-T | T | 12.7/73.7 |
| C2011 | 4030007070 | S.CER C1608 CH 1H 330J-T | T | 59.8/78.2 |
| C2012 | 4030006880 | S.CER C1608 JB 1H 472K-T | T | 70.3/82.1 |
| C2013 | 4030006880 | S.CER C1608 JB 1H 102K-T | T | 68.8/78.3 |
| C2014 | 4030006880 | S.CER C1608 JB 1H 472K-T | T | 74.9/77.7 |
| C2015 | 4030006880 | S.CER C1608 JB 1H 472K-T | T | 64.2/76.9 |
| C2016 | 4030006880 | S.CER C1608 JB 1H 472K-T | T | 64.3/83.8 |
| C2017 | 4030006880 | S.CER C1608 JB 1H 102K-T | T | 63.3/82.5 |
| C2021 | 4030006880 | S.CER C1608 JB 1H 472K-T | T | 62.9/61.2 |
| C2022 | 4030007100 | S.CER C1608 CH 1H 560J-T | T | 60.3/61.2 |
| C2023 | 4030007060 | S.CER C1608 CH 1H 270J-T | T | 61.4/60.0 |
| C2024 | 4030007140 | S.CER C1608 CH 1H 121J-T | T | 58.8/60.0 |
| C2025 | 4030007100 | S.CER C1608 CH 1H 560J-T | T | 63.0/56.2 |
| C2026 | 4030007110 | S.CER C1608 CH 1H 680J-T | T | 60.4/56.2 |
| C2040 | 4030007060 | S.CER C1608 CH 1H 270J-T | T | 72.0/71.6 |
| C2041 | 4030006880 | S.CER C1608 JB 1H 472K-T | T | 75.9/70.4 |
| C2042 | 4030011600 | S.CER C1608 JB 1E 104K-T | T | 72.8/67.8 |
| C2043 | 4030006880 | S.CER C1608 JB 1H 472K-T | T | 72.1/66.6 |
| C2044 | 4030011600 | S.CER C1608 JB 1E 104K-T | T | 72.6/53.8 |
| C2045 | 4030019490 | S.CER C2012 JB 1A 106K-T | T | 70.6/53.3 |
| C2046 | 4030006880 | S.CER C1608 JB 1H 472K-T | T | 72.6/55.0 |
| C2047 | 4030011600 | S.CER C1608 JB 1E 104K-T | T | 75.2/55.0 |
| C2048 | 4030019490 | S.CER C2012 JB 1A 106K-T | T | 75.6/53.5 |
| C2049 | 4030011600 | S.CER C1608 JB 1E 104K-T | T | 71.6/60.7 |
| C2050 | 4030009880 | S.CER C1608 JB 1H 682K-T | T | 71.6/59.5 |
| C2051 | 4030009910 | S.CER C1608 CH 1H 040B-T | T | 70.1/58.3 |
| C2052 | 4030009880 | S.CER C1608 JB 1H 682K-T | T | 69.0/57.1 |

Eqv.= This component is equivalent to the REF No. component listed above, and may be substituted on parts orders and repairs.

[MAIN UNIT]

| REF NO. | PARTS NO. | DESCRIPTION | M. | H/V LOCATION |
|---------|------------|--------------------------|----|--------------|
| C2053 | 4030007090 | S.CER C1608 CH 1H 470J-T | T | 59.0/41.9 |
| C2054 | 4030018620 | S.CER C1608 CH 1H 222J-T | T | 69.0/55.9 |
| C2055 | 4030006880 | S.CER C1608 JB 1H 472K-T | T | 65.8/53.6 |
| C2061 | 4030006990 | S.CER C1608 CH 1H 080D-T | T | 63.0/69.3 |
| C2070 | 4030006980 | S.CER C1608 CH 1H 070D-T | T | 86.1/77.5 |
| C2071 | 4030007070 | S.CER C1608 CH 1H 330J-T | T | 79.0/81.3 |
| C2072 | 4030010760 | S.CER C1608 CH 1H 331J-T | T | 80.6/80.1 |
| C2073 | 4030007070 | S.CER C1608 CH 1H 330J-T | T | 81.6/81.3 |
| C2074 | 4030010760 | S.CER C1608 CH 1H 331J-T | T | 83.4/80.1 |
| C2075 | 4030007090 | S.CER C1608 CH 1H 470J-T | T | 84.2/81.3 |
| C2076 | 4030007110 | S.CER C1608 CH 1H 680J-T | T | 86.1/76.3 |
| C2077 | 4030007040 | S.CER C1608 CH 1H 180J-T | T | 87.6/81.3 |
| C2078 | 4030007150 | S.CER C1608 CH 1H 151J-T | T | 87.7/81.3 |
| C2079 | 4030011770 | S.CER C1608 CH 1H 060B-T | T | 85.8/72.8 |
| C2080 | 4030007150 | S.CER C1608 CH 1H 151J-T | T | 83.2/73.4 |
| C2081 | 4030011770 | S.CER C1608 CH 1H 060B-T | T | 87.3/68.1 |
| C2082 | 4030007120 | S.CER C1608 CH 1H 820J-T | T | 83.9/71.7 |
| C2083 | 4030011770 | S.CER C1608 CH 1H 060B-T | T | 85.8/74.0 |
| C2091 | 4030006860 | S.CER C1608 JB 1H 102K-T | T | 83.2/66.9 |
| C2092 | 4030006860 | S.CER C1608 JB 1H 102K-T | T | 80.2/68.1 |
| C2093 | 4030006860 | S.CER C1608 JB 1H 102K-T | T | 80.2/64.3 |
| C2101 | 4030007080 | S.CER C1608 CH 1H 390J-T | T | 92.0/61.5 |
| C2102 | 4030009530 | S.CER C1608 CH 1H 030B-T | T | 94.6/62.1 |
| C2103 | 4030007110 | S.CER C1608 CH 1H 680J-T | T | 93.4/60.3 |
| C2104 | 4030006980 | S.CER C1608 CH 1H 070D-T | T | 96.1/60.9 |
| C2105 | 4030007030 | S.CER C1608 CH 1H 150J-T | T | 96.1/59.7 |
| C2131 | 4030011770 | S.CER C1608 CH 1H 060B-T | T | 50.2/64.1 |
| C2132 | 4030007150 | S.CER C1608 CH 1H 151J-T | T | 50.2/65.4 |
| C2133 | 4030009910 | S.CER C1608 CH 1H 040B-T | T | 47.6/64.1 |
| C2134 | 4030007120 | S.CER C1608 CH 1H 820J-T | T | 47.6/65.4 |
| C2135 | 4030009920 | S.CER C1608 CH 1H 050B-T | T | 45.0/64.1 |
| C2136 | 4030007080 | S.CER C1608 CH 1H 390J-T | T | 45.0/65.4 |
| C2137 | 4030006980 | S.CER C1608 CH 1H 070D-T | T | 43.5/66.6 |
| C2138 | 4030007050 | S.CER C1608 CH 1H 220J-T | T | 43.5/68.0 |
| C2139 | 4030009530 | S.CER C1608 CH 1H 030B-T | T | 38.6/66.2 |
| C2140 | 4030007070 | S.CER C1608 CH 1H 330J-T | T | 41.1/70.0 |
| C2141 | 4030009510 | S.CER C1608 CH 1H 010B-T | T | 38.5/70.0 |
| C2142 | 4030007080 | S.CER C1608 CH 1H 390J-T | T | 40.0/71.2 |
| C2143 | 4030009500 | S.CER C1608 CH 1H 0R5B-T | T | 40.0/72.5 |
| C2144 | 4030007040 | S.CER C1608 CH 1H 180J-T | T | 42.6/71.2 |
| C2145 | 4030011770 | S.CER C1608 CH 1H 060B-T | T | 42.6/72.5 |
| C2151 | 4030006860 | S.CER C1608 JB 1H 102K-T | T | 41.5/75.1 |
| C2152 | 4030006860 | S.CER C1608 JB 1H 102K-T | T | 43.4/77.2 |
| C2153 | 4030011600 | S.CER C1608 JB 1E 104K-T | T | 42.8/81.6 |
| C2154 | 4030006990 | S.CER C1608 CH 1H 080D-T | T | 43.6/83.1 |
| C2501 | 4030011600 | S.CER C1608 JB 1E 104K-T | T | 52.4/85.2 |
| C2502 | 4030011600 | S.CER C1608 JB 1E 104K-T | T | 51.3/80.2 |
| C2503 | 4030006880 | S.CER C1608 JB 1H 472K-T | T | 57.1/78.2 |
| C2504 | 4030011600 | S.CER C1608 JB 1E 104K-T | T | 57.1/77.0 |
| C2548 | 4030011600 | S.CER C1608 JB 1E 104K-T | T | 42.4/86.1 |
| C2549 | 4030011600 | S.CER C1608 JB 1E 104K-T | T | 43.8/86.1 |
| C2550 | 4030007050 | S.CER C1608 CH 1H 220J-T | T | 46.0/85.7 |
| C2551 | 4030011600 | S.CER C1608 JB 1E 104K-T | T | 46.5/86.9 |
| C2553 | 4030011600 | S.CER C1608 JB 1E 104K-T | T | 36.6/92.4 |
| C2554 | 4030019490 | S.CER C2012 JB 1A 106K-T | T | 51.0/90.8 |
| C2555 | 4030011600 | S.CER C1608 JB 1E 104K-T | T | 50.8/89.2 |
| C2556 | 4030019460 | S.CER C1608 JB 0J 106M-T | T | 49.4/88.0 |
| C2557 | 4030011600 | S.CER C1608 JB 1E 104K-T | T | 51.3/94.7 |
| C2558 | 4030006880 | S.CER C1608 JB 1H 472K-T | T | 47.0/99.3 |
| C2559 | 4030019490 | S.CER C2012 JB 1A 106K-T | T | 36.4/90.9 |
| C2560 | 4030007070 | S.CER C1608 CH 1H 330J-T | T | 43.1/84.3 |
| C2563 | 4030007060 | S.CER C1608 CH 1H 270J-T | T | 65.3/90.4 |
| C2564 | 4030007120 | S.CER C1608 CH 1H 820J-T | T | 65.4/95.6 |
| C2565 | 4030007060 | S.CER C1608 CH 1H 270J-T | T | 67.5/96.4 |
| C2566 | 4030007030 | S.CER C1608 CH 1H 150J-T | T | 65.4/96.8 |
| C2575 | 4030007100 | S.CER C1608 CH 1H 560J-T | T | 80.3/95.1 |
| C2576 | 4030007070 | S.CER C1608 CH 1H 330J-T | T | 80.2/90.1 |
| C2577 | 4030007150 | S.CER C1608 CH 1H 151J-T | T | 81.8/96.3 |
| C2578 | 4030007100 | S.CER C1608 CH 1H 560J-T | T | 82.4/98.7 |
| C2579 | 4030007040 | S.CER C1608 CH 1H 180J-T | T | 85.2/95.1 |
| C2580 | 4030007080 | S.CER C1608 CH 1H 390J-T | T | 85.2/93.9 |
| C2581 | 4030007050 | S.CER C1608 CH 1H 220J-T | T | 87.8/93.7 |
| C2582 | 4030007140 | S.CER C1608 CH 1H 121J-T | T | 81.8/97.5 |
| C2594 | 4030007080 | S.CER C1608 CH 1H 3 | | |

[MAIN UNIT]

| REF NO. | PARTS NO. | DESCRIPTION | M. | H/V LOCATION |
|---------|------------|--------------------------|----|--------------|
| C2713 | 4030007050 | S.CER C1608 CH 1H 220J-T | T | 149.4/78.9 |
| C2714 | 4030007050 | S.CER C1608 CH 1H 220J-T | T | 149.4/80.1 |
| C2715 | 4030007130 | S.CER C1608 CH 1H 101J-T | T | 98.9/17.0 |
| C2800 | 4030009530 | S.CER C1608 CH 1H 030B-T | T | 121.0/98.4 |
| C2801 | 4030010000 | S.CER C1608 CH 1H 510J-T | T | 117.7/99.6 |
| C2802 | 4030007060 | S.CER C1608 CH 1H 270J-T | T | 120.3/99.6 |
| C2803 | 4030007070 | S.CER C1608 CH 1H 330J-T | T | 122.9/99.6 |
| C2804 | 4030006880 | S.CER C1608 JB 1H 472K-T | T | 125.5/99.6 |
| C2805 | 4030018580 | S.CER C1608 CH 1H 821J-T | T | 118.4/98.4 |
| C2806 | 4030011340 | S.CER C1608 CH 1H 471J-T | T | 121.6/97.2 |
| C2807 | 4030007090 | S.CER C1608 CH 1H 470J-T | T | 126.4/94.6 |
| C2808 | 4030006980 | S.CER C1608 CH 1H 070D-T | T | 127.0/98.4 |
| C2809 | 4030006880 | S.CER C1608 JB 1H 472K-T | T | 138.5/97.2 |
| C2810 | 4030007130 | S.CER C1608 CH 1H 101J-T | T | 129.2/94.8 |
| C2811 | 4030009920 | S.CER C1608 CH 1H 050B-T | T | 128.5/99.6 |
| C2812 | 4030007120 | S.CER C1608 CH 1H 820J-T | T | 131.8/94.8 |
| C2813 | 4030009500 | S.CER C1608 CH 1H 0R5B-T | T | 133.3/97.2 |
| C2814 | 4030007060 | S.CER C1608 CH 1H 270J-T | T | 131.8/96.0 |
| C2815 | 4030007110 | S.CER C1608 CH 1H 680J-T | T | 134.4/96.0 |
| C2816 | 4030006880 | S.CER C1608 JB 1H 472K-T | T | 141.8/95.1 |
| C2817 | 4030009530 | S.CER C1608 CH 1H 030B-T | T | 123.6/98.4 |
| C2850 | 4030009530 | S.CER C1608 CH 1H 030B-T | T | 122.3/91.6 |
| C2851 | 4030009500 | S.CER C1608 CH 1H 0R5B-T | T | 133.3/90.4 |
| C2852 | 4030007090 | S.CER C1608 CH 1H 470J-T | T | 118.4/92.8 |
| C2853 | 4030007060 | S.CER C1608 CH 1H 270J-T | T | 121.0/92.8 |
| C2854 | 4030007060 | S.CER C1608 CH 1H 270J-T | T | 123.6/93.1 |
| C2855 | 4030006880 | S.CER C1608 JB 1H 472K-T | T | 126.2/93.1 |
| C2856 | 4030017800 | S.CER C1608 CH 1H 561J-T | T | 118.8/91.6 |
| C2857 | 4030010760 | S.CER C1608 CH 1H 331J-T | T | 121.8/90.4 |
| C2858 | 4030010000 | S.CER C1608 CH 1H 510J-T | T | 125.6/87.8 |
| C2859 | 4030006980 | S.CER C1608 CH 1H 070D-T | T | 127.7/91.6 |
| C2860 | 4030018020 | S.CER C1608 CH 1H 910J-T | T | 129.2/87.8 |
| C2861 | 4030006880 | S.CER C1608 JB 1H 472K-T | T | 138.5/90.4 |
| C2862 | 4030009530 | S.CER C1608 CH 1H 030B-T | T | 131.0/89.0 |
| C2863 | 4030018020 | S.CER C1608 CH 1H 910J-T | T | 131.8/87.8 |
| C2865 | 4030006880 | S.CER C1608 JB 1H 472K-T | T | 141.8/88.2 |
| C2866 | 4030007030 | S.CER C1608 CH 1H 150J-T | T | 137.0/88.0 |
| C2867 | 4030007150 | S.CER C1608 CH 1H 151J-T | T | 123.6/87.9 |
| C2900 | 4030011770 | S.CER C1608 CH 1H 060B-T | T | 122.3/84.8 |
| C2901 | 4030007070 | S.CER C1608 CH 1H 330J-T | T | 118.4/86.0 |
| C2902 | 4030010760 | S.CER C1608 CH 1H 331J-T | T | 119.1/84.8 |
| C2903 | 4030009990 | S.CER C1608 CH 1H 200J-T | T | 121.0/86.0 |
| C2904 | 4030007170 | S.CER C1608 CH 1H 221J-T | T | 122.3/83.6 |
| C2905 | 4030007040 | S.CER C1608 CH 1H 180J-T | T | 123.6/86.0 |
| C2906 | 4030006880 | S.CER C1608 JB 1H 472K-T | T | 126.2/86.0 |
| C2907 | 4030011770 | S.CER C1608 CH 1H 060B-T | T | 127.7/84.8 |
| C2908 | 4030007100 | S.CER C1608 CH 1H 560J-T | T | 125.6/81.0 |
| C2909 | 4030009530 | S.CER C1608 CH 1H 030B-T | T | 131.0/82.2 |
| C2910 | 4030009510 | S.CER C1608 CH 1H 010B-T | T | 133.3/83.6 |
| C2911 | 4030006880 | S.CER C1608 JB 1H 472K-T | T | 138.5/83.6 |
| C2912 | 4030007120 | S.CER C1608 CH 1H 820J-T | T | 129.2/81.0 |
| C2913 | 4030018020 | S.CER C1608 CH 1H 910J-T | T | 131.8/81.0 |
| C2914 | 4030007100 | S.CER C1608 CH 1H 560J-T | T | 134.4/82.4 |
| C2915 | 4030006880 | S.CER C1608 JB 1H 472K-T | T | 141.8/81.5 |
| C2950 | 4030009530 | S.CER C1608 CH 1H 030B-T | T | 119.0/78.0 |
| C2951 | 4030007060 | S.CER C1608 CH 1H 270J-T | T | 118.4/79.2 |
| C2952 | 4030010760 | S.CER C1608 CH 1H 331J-T | T | 118.8/76.8 |
| C2953 | 4030007040 | S.CER C1608 CH 1H 180J-T | T | 121.0/79.2 |
| C2954 | 4030007170 | S.CER C1608 CH 1H 221J-T | T | 122.3/78.0 |
| C2955 | 4030009990 | S.CER C1608 CH 1H 200J-T | T | 123.6/79.2 |
| C2956 | 4030006880 | S.CER C1608 JB 1H 472K-T | T | 126.2/79.2 |
| C2957 | 4030007090 | S.CER C1608 CH 1H 470J-T | T | 125.6/73.5 |
| C2958 | 4030009920 | S.CER C1608 CH 1H 050B-T | T | 127.7/78.0 |
| C2959 | 4030007110 | S.CER C1608 CH 1H 680J-T | T | 129.2/74.2 |
| C2960 | 4030009530 | S.CER C1608 CH 1H 030B-T | T | 131.0/75.4 |
| C2961 | 4030007110 | S.CER C1608 CH 1H 680J-T | T | 131.8/74.2 |
| C2962 | 4030011770 | S.CER C1608 CH 1H 060B-T | T | 133.3/76.8 |
| C2963 | 4030007090 | S.CER C1608 CH 1H 470J-T | T | 134.4/75.6 |
| C2964 | 4030006880 | S.CER C1608 JB 1H 472K-T | T | 138.6/76.8 |
| C2965 | 4030006880 | S.CER C1608 JB 1H 472K-T | T | 141.7/74.6 |
| C2966 | 4030006880 | S.CER C1608 JB 1H 472K-T | T | 176.8/23.5 |
| C2967 | 4030007130 | S.CER C1608 CH 1H 101J-T | T | 124.9/78.0 |
| C2968 | 4030006880 | S.CER C1608 JB 1H 472K-T | T | 189.1/10.8 |
| C2969 | 4030006860 | S.CER C1608 JB 1H 102K-T | T | 187.9/9.2 |
| C2970 | 4030007130 | S.CER C1608 CH 1H 101J-T | T | 98.1/72.0 |
| C2971 | 4030011600 | S.CER C1608 JB 1E 104K-T | T | 97.9/3.7 |
| C2972 | 4030011600 | S.CER C1608 JB 1E 104K-T | T | 103.7/8.4 |
| C2973 | 4030011600 | S.CER C1608 JB 1E 104K-T | T | 94.5/1.8 |
| C2974 | 4030011600 | S.CER C1608 JB 1E 104K-T | T | 92.6/11.7 |
| C2975 | 4030011600 | S.CER C1608 JB 1E 104K-T | T | 95.2/13.3 |
| C2976 | 4030011600 | S.CER C1608 JB 1E 104K-T | T | 92.6/13.4 |
| C2977 | 4030011600 | S.CER C1608 JB 1E 104K-T | T | 101.3/6.4 |
| C2981 | 4030006880 | S.CER C1608 JB 1H 472K-T | T | 169.3/2.2 |
| C2982 | 4030019090 | S.CER C2012 JB 1C 225M-T | T | 148.4/4.2 |
| C2983 | 4030006880 | S.CER C1608 JB 1H 472K-T | T | 147.0/1.9 |
| C2984 | 4030006880 | S.CER C1608 JB 1H 472K-T | T | 140.5/3.3 |
| C2985 | 4030006860 | S.CER C1608 JB 1H 102K-T | T | 123.1/6.4 |
| C2986 | 4030006860 | S.CER C1608 JB 1H 102K-T | T | 130.5/5.2 |
| C2987 | 4030006860 | S.CER C1608 JB 1H 102K-T | T | 135.1/3.2 |
| C2988 | 4030006860 | S.CER C1608 JB 1H 102K-T | T | 137.8/3.2 |
| C2989 | 4030006880 | S.CER C1608 JB 1H 472K-T | T | 181.9/5.9 |
| C2991 | 4030006880 | S.CER C1608 JB 1H 472K-T | T | 157.4/3.8 |
| C2992 | 4030006880 | S.CER C1608 JB 1H 472K-T | T | 154.8/2.6 |
| C2993 | 4030006880 | S.CER C1608 JB 1H 472K-T | T | 160.3/2.6 |
| C2994 | 4030006880 | S.CER C1608 JB 1H 472K-T | T | 162.9/1.7 |
| C2996 | 4030006880 | S.CER C1608 JB 1H 472K-T | T | 180.5/27.2 |
| C2997 | 4030006880 | S.CER C1608 JB 1H 472K-T | T | 181.7/27.2 |
| C2998 | 4030006880 | S.CER C1608 JB 1H 472K-T | T | 182.9/27.2 |

Eqv.= This component is equivalent to the REF No. component listed above, and may be substituted on parts orders and repairs.

[MAIN UNIT]

| REF NO. | PARTS NO. | DESCRIPTION | M. | H/V LOCATION |
|---------|------------|-----------------------------|----|--------------|
| C2999 | 4030006880 | S.CER C1608 JB 1H 472K-T | T | 184.1/27.2 |
| C3000 | 4030006880 | S.CER C1608 JB 1H 472K-T | T | 185.3/27.2 |
| C3001 | 4030006880 | S.CER C1608 JB 1H 472K-T | T | 186.5/27.2 |
| C3002 | 4030006880 | S.CER C1608 JB 1H 472K-T | T | 97.1/14.6 |
| C3005 | 4030006880 | S.CER C1608 JB 1H 472K-T | T | 179.0/13.7 |
| C3006 | 4030006880 | S.CER C1608 JB 1H 472K-T | T | 177.2/1.6 |
| C3010 | 4030019490 | S.CER C2012 JB 1A 106K-T | T | 135.9/56.0 |
| C3011 | 4030019490 | S.CER C2012 JB 1A 106K-T | T | 135.6/40.6 |
| C3026 | 4030006880 | S.CER C1608 JB 1H 472K-T | T | 136.6/54.5 |
| C3027 | 4030006880 | S.CER C1608 JB 1H 472K-T | T | 135.2/42.2 |
| C3201 | 4030011600 | S.CER C1608 JB 1E 104K-T | T | 173.4/59.0 |
| C3202 | 4030006880 | S.CER C1608 JB 1H 472K-T | T | 171.8/56.6 |
| C3203 | 4030011600 | S.CER C1608 JB 1E 104K-T | T | 174.4/56.6 |
| C3204 | 4030007040 | S.CER C1608 CH 1H 180J-T | T | 175.4/53.2 |
| C3205 | 4030007040 | S.CER C1608 CH 1H 180J-T | T | 181.8/52.8 |
| C3206 | 4030019490 | S.CER C2012 JB 1A 106K-T | T | 175.9/54.7 |
| C3207 | 4030011600 | S.CER C1608 JB 1E 104K-T | T | 184.4/57.5 |
| C3208 | 4030011600 | S.CER C1608 JB 1E 104K-T | T | 182.0/54.0 |
| C3209 | 4030011600 | S.CER C1608 JB 1E 104K-T | T | 180.6/66.1 |
| C3210 | 4030006880 | S.CER C1608 JB 1H 472K-T | T | 190.0/59.4 |
| C3214 | 4030011600 | S.CER C1608 JB 1E 104K-T | T | 169.1/63.8 |
| C3215 | 4030019490 | S.CER C2012 JB 1A 106K-T | T | 180.8/45.2 |
| C3216 | 4030019490 | S.CER C2012 JB 1A 106K-T | T | 172.9/45.4 |
| C3217 | 4030019490 | S.CER C2012 JB 1A 106K-T | T | 183.6/37.6 |
| C3218 | 4030007040 | S.CER C1608 CH 1H 180J-T | T | 174.0/34.4 |
| C3219 | 4030007040 | S.CER C1608 CH 1H 180J-T | T | 179.2/34.4 |
| C3220 | 4030019490 | S.CER C2012 JB 1A 106K-T | T | 183.6/74.8 |
| C3221 | 4030017490 | S.CER C1608 JB 1A 105K-T | T | 182.5/73.2 |
| C3222 | 4030017490 | S.CER C1608 JB 1A 105K-T | T | 180.1/74.5 |
| C3223 | 4030011600 | S.CER C1608 JB 1E 104K-T | T | 169.7/67.2 |
| C3224 | 4030011600 | S.CER C1608 JB 1E 104K-T | T | 182.2/46.8 |
| C3225 | 4030019460 | S.CER C1608 JB 0J 106M-T | T | 169.6/40.4 |
| C3226 | 4030019490 | S.CER C2012 JB 1A 106K-T | T | 176.2/45.4 |
| C3227 | 4030011600 | S.CER C1608 JB 1E 104K-T | T | 175.9/46.9 |
| C3228 | 4030019460 | S.CER C1608 JB 0J 106M-T | T | 171.4/36.4 |
| C3229 | 4030011600 | S.CER C1608 JB 1E 104K-T | T | 185.7/38.0 |
| C3230 | 4030019490 | S.CER C2012 JB 1A 106K-T | T | 173.5/65.0 |
| C3231 | 4030007090 | S.CER C1608 CH 1H 470J-T | T | 82.8/27.7 |
| C3232 | 4030007090 | S.CER C1608 CH 1H 470J-T | T | 18.8/9.4 |
| C3233 | 4030007090 | S.CER C1608 CH 1H 470J-T | T | 17.7/10.8 |
| C3234 | 4030007090 | S.CER C1608 CH 1H 470J-T | T | 17.7/12.2 |
| C3235 | 4030007090 | S.CER C1608 CH 1H 470J-T | T | 17.7/13.6 |
| C3236 | 4030007090 | S.CER C1608 CH 1H 470J-T | T | 17.7/14.8 |
| C3237 | 4030007150 | S.CER C1608 CH 1H 151J-T | T | 118.0/45.5 |
| C3238 | 4030007150 | S.CER C1608 CH 1H 151J-T | T | 118.0/44.2 |
| C3239 | 4030007150 | S.CER C1608 CH 1H 151J-T | T | 120.3/47.6 |
| C3240 | 4030007150 | S.CER C1608 CH 1H 151J-T | T | 120.3/48.8 |
| C3241 | 4030006880 | S.CER C1608 JB 1H 472K-T | T | 96.6/68.0 |
| C3242 | 4030018970 | S.CER C3225 JB 1C 226M-TN | T | 30.6/97.6 |
| C3243 | 4030011600 | S.CER C1608 JB 1E 104K-T | T | 26.6/99.8 |
| C3244 | 4030011600 | S.CER C1608 JB 1E 104K-T | T | 23.5/99.8 |
| C3245 | 4030018970 | S.CER C3225 JB 1C 226M-TN | T | 19.4/97.6 |
| C3246 | 4030019090 | S.CER C2012 JB 1C 225M-T | T | 21.4/101.3 |
| C3247 | 4030019090 | S.CER C2012 JB 1C 225M-T | T | 28.6/101.3 |
| C3248 | 4030006980 | S.CER C1608 CH 1H 070D-T | T | 131.8/73.0 |
| C3249 | 4030006880 | S.CER C1608 JB 1H 472K-T | T | 20.4/2.3 |
| C3250 | 4030007150 | S.CER C1608 CH 1H 151J-T | T | 165.6/65.3 |
| C3254 | 4030019460 | S.CER C1608 JB 0J 106M-T | T | 184.4/56.3 |
| C3255 | 4030007090 | S.CER C1608 CH 1H 470J-T | T | 141.5/14.3 |
| J1 | 6510024151 | S.CON 50FY-BMT-TB(LF)(SN) | T | 14.1/28.7 |
| J2 | 6510024151 | S.CON 50FY-BMT-TB(LF)(SN) | T | 25.3/28.7 |
| J4 | 6510024151 | S.CON 50FY-BMT-TB(LF)(SN) | T | 172.8/18.0 |
| J5 | 6510024151 | S.CON 50FY-BMT-TB(LF)(SN) | T | 132.9/9.4 |
| J6 | 6510024151 | S.CON 50FY-BMT-TB(LF)(SN) | T | 163.1/9.4 |
| J7 | 6510028210 | CON SJ050010 (TMP-J01X-V6) | | |
| J8 | 6450000140 | CON HSJ0807-01-010 | | |
| J9 | 6450000140 | CON HSJ0807-01-010 | | |
| J11 | 6510019971 | S.CON 52808-1071 | T | 89.0/6.7 |
| J1531 | 6510025840 | S.CON AXN316C038P | T | 38.3/38.4 |
| J3201 | 6510026540 | CON UBB-4R-D14T-4D(LF)(SN) | | |
| J3203 | 6510014961 | S.CON B2B-ZR-SM4-TF(LF)(SN) | T | 161.9/82.9 |
| EP1 | 6910018930 | S.BEA MPZ2012S601A | T | 192.3/86.5 |
| EP2 | 6910012350 | S.BEA MMZ1608Y 102BT | T | 186.4/71.8 |
| EP3</ | | | | |

[MAIN UNIT]

| REF NO. | PARTS NO. | DESCRIPTION | M. | H/V LOCATION |
|---------|------------|----------------------|----|--------------|
| EP1081 | 6910012350 | S.BEA MMZ1608Y 102BT | T | 163.5/90.1 |
| EP1551 | 6910012350 | S.BEA MMZ1608Y 102BT | T | 43.6/34.0 |
| EP2091 | 6910012350 | S.BEA MMZ1608Y 102BT | T | 80.2/69.5 |
| EP2151 | 6910012350 | S.BEA MMZ1608Y 102BT | T | 45.2/78.0 |
| EP2501 | 6910012350 | S.BEA MMZ1608Y 102BT | T | 57.1/82.0 |
| EP2502 | 6910012350 | S.BEA MMZ1608Y 102BT | T | 38.2/80.4 |
| EP2541 | 6910012350 | S.BEA MMZ1608Y 102BT | T | 37.9/84.6 |
| EP2542 | 6910012350 | S.BEA MMZ1608Y 102BT | T | 36.1/85.1 |
| EP2544 | 6910012350 | S.BEA MMZ1608Y 102BT | T | 37.9/85.8 |
| EP2561 | 6910002161 | CAS CASE-BM7H-LF | | |
| EP2566 | 6910002161 | CAS CASE-BM7H-LF | | |
| EP2601 | 6910012350 | S.BEA MMZ1608Y 102BT | T | 99.8/90.5 |
| EP2602 | 6910019200 | S.BEA N2012ZPS121T50 | T | 171.1/22.1 |
| EP2603 | 6910012350 | S.BEA MMZ1608Y 102BT | T | 178.1/23.5 |
| EP2605 | 6910018930 | S.BEA MPZ2012S601A | T | 133.4/5.2 |
| EP2607 | 6910018930 | S.BEA MPZ2012S601A | T | 140.1/5.2 |
| EP2608 | 6910018930 | S.BEA MPZ2012S601A | T | 8.7/27.6 |
| EP2609 | 6910012350 | S.BEA MMZ1608Y 102BT | T | 9.1/26.0 |
| EP2610 | 6910018930 | S.BEA MPZ2012S601A | T | 9.0/29.6 |
| EP2611 | 6910019200 | S.BEA N2012ZPS121T50 | T | 127.0/6.1 |
| EP2612 | 6910018930 | S.BEA MPZ2012S601A | T | 8.9/22.7 |
| EP2613 | 6910018930 | S.BEA MPZ2012S601A | T | 165.1/86.3 |
| EP2614 | 6910018930 | S.BEA MPZ2012S601A | T | 159.7/86.8 |
| EP2615 | 6910018930 | S.BEA MPZ2012S601A | T | 9.7/24.5 |
| EP2618 | 6910012350 | S.BEA MMZ1608Y 102BT | T | 169.3/3.4 |
| EP2619 | 6910012350 | S.BEA MMZ1608Y 102BT | T | 181.1/15.7 |
| EP2620 | 6910012350 | S.BEA MMZ1608Y 102BT | T | 177.2/15.7 |
| EP2621 | 6910012350 | S.BEA MMZ1608Y 102BT | T | 184.5/5.9 |
| EP2622 | 6910018930 | S.BEA MPZ2012S601A | T | 171.8/12.8 |
| EP2627 | 6910012350 | S.BEA MMZ1608Y 102BT | T | 162.9/2.9 |
| EP2628 | 6910012350 | S.BEA MMZ1608Y 102BT | T | 160.3/3.8 |
| EP2629 | 6910012350 | S.BEA MMZ1608Y 102BT | T | 157.4/2.6 |
| EP2630 | 6910012350 | S.BEA MMZ1608Y 102BT | T | 157.4/5.0 |
| EP2633 | 6910012350 | S.BEA MMZ1608Y 102BT | T | 185.3/23.5 |
| EP2634 | 6910012350 | S.BEA MMZ1608Y 102BT | T | 184.1/23.5 |
| EP2635 | 6910012350 | S.BEA MMZ1608Y 102BT | T | 182.9/23.5 |
| EP2636 | 6910012350 | S.BEA MMZ1608Y 102BT | T | 181.7/23.5 |
| EP2637 | 6910012350 | S.BEA MMZ1608Y 102BT | T | 180.5/23.5 |
| EP2638 | 6910012350 | S.BEA MMZ1608Y 102BT | T | 186.5/23.5 |
| EP2641 | 6910012350 | S.BEA MMZ1608Y 102BT | T | 133.0/56.0 |
| EP2642 | 6910012350 | S.BEA MMZ1608Y 102BT | T | 137.8/44.1 |
| EP2643 | 6910012350 | S.BEA MMZ1608Y 102BT | T | 24.1/79.3 |
| EP2646 | 6910018930 | S.BEA MPZ2012S601A | T | 9.0/31.4 |
| EP2970 | 6910012350 | S.BEA MMZ1608Y 102BT | T | 93.5/67.6 |
| EP2971 | 6910012350 | S.BEA MMZ1608Y 102BT | T | 92.6/10.5 |
| EP2972 | 6910012350 | S.BEA MMZ1608Y 102BT | T | 96.1/11.6 |
| EP3201 | 6910012350 | S.BEA MMZ1608Y 102BT | T | 185.2/60.5 |
| EP3202 | 6910012350 | S.BEA MMZ1608Y 102BT | T | 183.7/44.9 |
| EP3203 | 6910012350 | S.BEA MMZ1608Y 102BT | T | 182.4/72.0 |
| EP3204 | 6910012350 | S.BEA MMZ1608Y 102BT | T | 179.5/75.7 |
| EP3205 | 6910012350 | S.BEA MMZ1608Y 102BT | T | 185.7/36.8 |
| EP3206 | 6910012350 | S.BEA MMZ1608Y 102BT | T | 184.2/48.3 |
| EP3207 | 6910012350 | S.BEA MMZ1608Y 102BT | T | 190.3/53.6 |
| EP3208 | 6910012350 | S.BEA MMZ1608Y 102BT | T | 172.2/75.2 |
| EP3241 | 6910012350 | S.BEA MMZ1608Y 102BT | T | 166.8/35.8 |
| EP3242 | 6910012350 | S.BEA MMZ1608Y 102BT | T | 165.6/33.2 |

[RF UNIT]

| REF NO. | PARTS NO. | DESCRIPTION | M. | H/V LOCATION |
|---------|------------|-----------------------------|----|--------------|
| IC141 | 1130011760 | S.IC CD4094BPWR | T | 13.7/15.8 |
| IC142 | 1130011760 | S.IC CD4094BPWR | T | 14.1/29.6 |
| IC181 | 1110006870 | S.IC UPC2709TB-E3 | T | 57.8/60.5 |
| IC462 | 1110004050 | S.IC NJM3404AV-TE1-#FMZB | T | 4.8/37.9 |
| IC463 | 1110004050 | S.IC NJM3404AV-TE1-#FMZB | T | 14.6/47.8 |
| IC464 | 1110004050 | S.IC NJM3404AV-TE1-#FMZB | T | 6.0/14.4 |
| Q12 | 1590000680 | S.TRA DTC114EUA T106 | T | 55.5/16.5 |
| Q141 | 1590001960 | S.TRA XP4311(TX) | T | 19.7/54.9 |
| Q142 | 1590001960 | S.TRA XP4311(TX) | T | 19.9/48.7 |
| Q143 | 1590001960 | S.TRA XP4311(TX) | T | 19.8/42.3 |
| Q144 | 1590001960 | S.TRA XP4311(TX) | T | 18.3/36.1 |
| Q145 | 1590001960 | S.TRA XP4311(TX) | T | 20.0/30.4 |
| Q146 | 1590001960 | S.TRA XP4311(TX) | T | 19.7/24.7 |
| Q147 | 1590001960 | S.TRA XP4311(TX) | T | 19.0/19.5 |
| Q148 | 1590001960 | S.TRA XP4311(TX) | T | 19.1/13.4 |
| Q155 | 1590001960 | S.TRA XP4311(TX) | T | 60.6/28.6 |
| Q156 | 1590001960 | S.TRA XP4311(TX) | T | 19.8/60.0 |
| Q157 | 1590001960 | S.TRA XP4311(TX) | T | 21.3/64.2 |
| Q161 | 1530003091 | S.TRA 2SC4213-B(TE85RF) | T | 57.2/43.6 |
| Q380 | 1530003852 | S.TRA 2SC5551A-F-TD-E | T | 41.6/70.9 |
| Q441 | 1530003852 | S.TRA 2SC5551A-F-TD-E | T | 7.5/64.2 |
| Q442 | 1590001960 | S.TRA XP4311(TX) | T | 6.7/55.2 |
| Q443 | 1590001960 | S.TRA XP4311(TX) | T | 9.3/55.0 |
| Q461 | 1510000510 | S.TRA 2SA1576A T106R | T | 4.6/26.1 |
| Q462 | 1590001050 | S.TRA DTC114TUA T106 | T | 10.6/47.6 |
| Q463 | 1590000680 | S.TRA DTC114EUA T106 | T | 10.3/40.9 |
| Q464 | 1590000720 | S.TRA DTA144EUA T106 | T | 8.8/45.9 |
| Q480 | 1530003091 | S.TRA 2SC4213-B(TE85RF) | T | 2.3/23.3 |
| Q501 | 1540000550 | S.TRA 2SD1664 T100Q | T | 55.3/84.8 |
| Q503 | 1590001960 | S.TRA XP4311(TX) | T | 63.4/44.7 |
| D1 | 1790000971 | S.DIO MA2J7290GL | T | 68.7/8.4 |
| D2 | 1790000971 | S.DIO MA2J7290GL | T | 70.5/8.4 |
| D3 | 1790001251 | S.DIO MA2S1110GL | T | 50.4/16.9 |
| D141 | 1790001251 | S.DIO MA2S1110GL | T | 13.7/21.2 |
| D142 | 1790001251 | S.DIO MA2S1110GL | T | 12.5/21.2 |
| D143 | 1790001251 | S.DIO MA2S1110GL | T | 14.3/10.7 |
| D144 | 1790001251 | S.DIO MA2S1110GL | T | 13.1/10.7 |
| D145 | 1790001251 | S.DIO MA2S1110GL | T | 15.2/24.1 |
| D146 | 1790001251 | S.DIO MA2S1110GL | T | 14.0/24.4 |
| D164 | 1790001621 | S.DIO 1SV308(TPL3F) | T | 52.2/31.7 |
| D165 | 1790001621 | S.DIO 1SV308(TPL3F) | T | 57.4/35.7 |
| D167 | 1790001621 | S.DIO 1SV308(TPL3F) | T | 55.0/48.8 |
| D168 | 1790001621 | S.DIO 1SV308(TPL3F) | T | 55.3/43.9 |
| D181 | 1790001251 | S.DIO MA2S1110GL | T | 56.6/56.6 |
| D182 | 1790001251 | S.DIO MA2S1110GL | T | 56.6/55.4 |
| D201 | 1790001621 | S.DIO 1SV308(TPL3F) | T | 53.3/44.4 |
| D221 | 1790001621 | S.DIO 1SV308(TPL3F) | T | 22.8/13.1 |
| D222 | 1790001621 | S.DIO 1SV308(TPL3F) | T | 37.8/15.0 |
| D241 | 1790001621 | S.DIO 1SV308(TPL3F) | T | 22.8/22.1 |
| D242 | 1790001621 | S.DIO 1SV308(TPL3F) | T | 39.2/21.9 |
| D261 | 1790001621 | S.DIO 1SV308(TPL3F) | T | 34.2/27.9 |
| D262 | 1790001621 | S.DIO 1SV308(TPL3F) | T | 22.9/27.1 |
| D281 | 1790001621 | S.DIO 1SV308(TPL3F) | T | 41.0/34.0 |
| D282 | 1790001621 | S.DIO 1SV308(TPL3F) | T | 23.0/33.7 |
| D301 | 1790001621 | S.DIO 1SV308(TPL3F) | T | 41.0/40.1 |
| D302 | 1790001621 | S.DIO 1SV308(TPL3F) | T | 23.0/39.8 |
| D321 | 1790001621 | S.DIO 1SV308(TPL3F) | T | 40.9/46.2 |
| D322 | 1790001621 | S.DIO 1SV308(TPL3F) | T | 23.0/45.9 |
| D341 | 1790001621 | S.DIO 1SV308(TPL3F) | T | 40.9/52.3 |
| D342 | 1790001621 | S.DIO 1SV308(TPL3F) | T | 23.0/52.0 |
| D361 | 1790001621 | S.DIO 1SV308(TPL3F) | T | 44.4/57.2 |
| D362 | 1790001621 | S.DIO 1SV308(TPL3F) | T | 23.0/58.1 |
| D381 | 1790001621 | S.DIO 1SV308(TPL3F) | T | 27.6/70.4 |
| D382 | 1790001621 | S.DIO 1SV308(TPL3F) | T | 49.3/65.3 |
| D401 | 1790001621 | S.DIO 1SV308(TPL3F) | T | 49.3/64.1 |
| D402 | 1790001621 | S.DIO 1SV308(TPL3F) | T | 26.3/61.0 |
| D441 | 1790001621 | S.DIO 1SV308(TPL3F) | T | 14.1/63.7 |
| D442 | 1790001621 | S.DIO 1SV308(TPL3F) | T | 17.4/72.6 |
| D443 | 1790001621 | S.DIO 1SV308(TPL3F) | T | 14.1/64.9 |
| D444 | 1790001621 | S.DIO 1SV308(TPL3F) | T | 14.9/72.6 |
| D461 | 1790001251 | S.DIO MA2S1110GL | T | 8.6/43.2 |
| D462 | 1790001251 | S.DIO MA2S1110GL | T | 8.6/30.4 |
| D463 | 1790001251 | S.DIO MA2S1110GL | T | 10.5/44.2 |
| D464 | 1790001251 | S.DIO MA2S1110GL | T | 7.5/51.1 |
| D465 | 1790001241 | S.DIO MA2S7280GL | T | 9.7/37.3 |
| D471 | 1790001241 | S.DIO MA2S7280GL | T | 13.5/40.7 |
| D491 | 1790001241 | S.DIO MA2S7280GL | T | 16.4/42.1 |
| D494 | 1790001251 | S.DIO MA2S1110GL | T | 7.4/22.8 |
| D495 | 1790001251 | S.DIO MA2S1110GL | T | 7.4/24.0 |
| D501 | 1790001251 | S.DIO MA2S1110GL | T | 66.8/43.4 |
| D502 | 1790001331 | S.ZEN MAZ8036GLL | T | 10.3/25.8 |
| D503 | 1790001251 | S.DIO MA2S1110GL | T | 8.3/26.4 |
| D504 | 1790001251 | S.DIO MA2S1110GL | T | 8.3/25.2 |
| D505 | 1790001621 | S.DIO 1SV308(TPL3F) | T | 55.8/41.5 |
| L1 | 6140004721 | COI LR-532A | B | 69.6/36.3 |
| L3 | 6200002041 | S.COI NLV25T-101J | T | 48.1/23.3 |
| L161 | 6200011410 | S.COI C2520C-82NG-A | T | 51.7/26.7 |
| L163 | 6200002041 | S.COI NLV25T-101J | T | 58.2/46.8 |
| L167 | 6200002041 | S.COI NLV25T-101J | T | 57.4/49.6 |
| L168 | 6200002041 | S.COI NLV25T-101J | T | 44.8/18.3 |
| L169 | 6200010660 | S.COI C2520C-R15G-A (0.15U) | T | 55.7/27.8 |
| L170 | 6200002041 | S.COI NLV25T-101J | T | |

Eqv.= This component is equivalent to the REF No. component listed above, and may be substituted on parts orders and repairs.

M.=Mounted side (T: Mounted on the Top side, B: Mounted on the Bottom side) S.=Surface mount

[RF UNIT]

| REF NO. | PARTS NO. | DESCRIPTION | M. | H/V LOCATION |
|---------|------------|-----------------------------|----|--------------|
| L181 | 6200005011 | S.COI NLV25T-100J | T | 60.4/59.3 |
| L183 | 6200005011 | S.COI NLV25T-100J | T | 44.8/78.6 |
| L201 | 6200005491 | S.COI NLV32T-331J | T | 52.6/48.6 |
| L202 | 6200002961 | S.COI NLV32T-4R7J | T | 49.1/47.9 |
| L203 | 6200003321 | S.COI NLV32T-3R3J | T | 45.7/49.8 |
| L204 | 6200003261 | S.COI NLV32T-101J | T | 51.1/42.2 |
| L205 | 6200003261 | S.COI NLV32T-101J | T | 45.9/42.2 |
| L221 | 6200001851 | S.COI NLV32T-5R6J | T | 29.5/13.6 |
| L222 | 6200003111 | S.COI NLV32T-6R8J | T | 25.9/14.6 |
| L241 | 6200002041 | S.COI NLV25T-101J | T | 39.4/19.9 |
| L242 | 6200003091 | S.COI NLV32T-2R7J | T | 35.0/20.8 |
| L243 | 6200003101 | S.COI NLV32T-3R9J | T | 31.6/21.4 |
| L244 | 6200002961 | S.COI NLV32T-4R7J | T | 28.2/19.5 |
| L245 | 6200001851 | S.COI NLV32T-5R6J | T | 24.5/19.9 |
| L261 | 6200002041 | S.COI NLV25T-101J | T | 34.2/26.0 |
| L262 | 6200002991 | S.COI NLV32T-2R2J | T | 31.1/26.3 |
| L263 | 6200002991 | S.COI NLV32T-2R2J | T | 26.2/27.1 |
| L281 | 6200002041 | S.COI NLV25T-101J | T | 40.3/31.8 |
| L282 | 6200003051 | S.COI NLV32T-R82J | T | 37.2/32.9 |
| L283 | 6200003061 | S.COI NLV32T-1R2J | T | 32.4/32.3 |
| L284 | 6200003081 | S.COI NLV32T-1R8J | T | 29.0/30.4 |
| L285 | 6200003071 | S.COI NLV32T-1R5J | T | 25.6/32.3 |
| L291 | 6200011410 | S.COI C2520C-82NG-A | T | 21.2/36.7 |
| L301 | 6200002041 | S.COI NLV25T-101J | T | 40.3/37.9 |
| L302 | 6200003061 | S.COI NLV32T-1R2J | T | 37.2/39.0 |
| L303 | 6200003331 | S.COI NLV32T-1R0J | T | 32.4/38.4 |
| L304 | 6200003051 | S.COI NLV32T-R82J | T | 29.0/36.5 |
| L305 | 6200003061 | S.COI NLV32T-1R2J | T | 25.6/38.4 |
| L321 | 6200002041 | S.COI NLV25T-101J | T | 40.3/44.0 |
| L322 | 6200003031 | S.COI NLV32T-R47J | T | 37.2/45.1 |
| L323 | 6200002981 | S.COI NLV32T-R56J | T | 32.4/44.5 |
| L324 | 6200003041 | S.COI NLV32T-R68J | T | 29.0/42.6 |
| L325 | 6200003051 | S.COI NLV32T-R82J | T | 25.6/44.5 |
| L341 | 6200002041 | S.COI NLV25T-101J | T | 40.3/50.1 |
| L342 | 6200003251 | S.COI NLV32T-R39J | T | 37.2/51.2 |
| L343 | 6200003251 | S.COI NLV32T-R39J | T | 32.4/50.6 |
| L344 | 6200003031 | S.COI NLV32T-R47J | T | 29.0/48.7 |
| L345 | 6200002981 | S.COI NLV32T-R56J | T | 25.6/50.6 |
| L361 | 6200002041 | S.COI NLV25T-101J | T | 40.7/56.5 |
| L362 | 6200010740 | S.COI C2520C-R27G-A | T | 37.4/57.3 |
| L363 | 6200010740 | S.COI C2520C-R27G-A | T | 32.5/56.7 |
| L364 | 6200010870 | S.COI C2520C-R33G-A (0.33U) | T | 29.1/54.8 |
| L365 | 6200011450 | S.COI C2520C-R39G-A | T | 25.7/56.8 |
| L381 | 6200003001 | S.COI NLV32T-R22J | T | 45.6/68.3 |
| L382 | 6200003251 | S.COI NLV32T-R39J | T | 49.9/67.5 |
| L383 | 6200005011 | S.COI NLV25T-100J | T | 30.7/72.9 |
| L384 | 6200002041 | S.COI NLV25T-101J | T | 40.1/66.5 |
| L385 | 6140004601 | S.COI LR-518A | T | 35.5/71.0 |
| L386 | 6200002041 | S.COI NLV25T-101J | T | 27.8/68.5 |
| L401 | 6200003011 | S.COI NLV32T-R27J | T | 43.8/62.0 |
| L402 | 6200003421 | S.COI NLV32T-R15J | T | 47.2/61.1 |
| L403 | 6180002961 | S.COI NLV32T-R18J | T | 40.4/61.6 |
| L404 | 6200003421 | S.COI NLV32T-R15J | T | 37.0/63.6 |
| L405 | 6200001471 | S.COI NLV32T-R12J | T | 32.0/65.1 |
| L406 | 6200001471 | S.COI NLV32T-R12J | T | 27.1/63.8 |
| L421 | 6200005491 | S.COI NLV32T-331J | T | 24.3/8.5 |
| L441 | 6200002041 | S.COI NLV25T-101J | T | 18.3/63.4 |
| L442 | 6200002041 | S.COI NLV25T-101J | T | 11.5/64.4 |
| L443 | 6200002041 | S.COI NLV25T-101J | T | 14.1/66.8 |
| L444 | 6140004591 | S.COI LR-517A | T | 6.6/71.7 |
| L445 | 6200002041 | S.COI NLV25T-101J | T | 11.2/70.4 |
| L446 | 6200002041 | S.COI NLV25T-101J | T | 11.2/74.0 |
| L447 | 6200002041 | S.COI NLV25T-101J | T | 14.5/61.1 |
| L448 | 6200002041 | S.COI NLV25T-101J | T | 20.1/74.9 |
| L449 | 6200010650 | S.COI C2520C-R12G-A (0.12U) | T | 8.3/76.8 |
| L450 | 6200010660 | S.COI C2520C-R15G-A (0.15U) | T | 19.2/70.0 |
| L501 | 6200005011 | S.COI NLV25T-100J | T | 63.2/40.3 |
| L502 | 6200005011 | S.COI NLV25T-100J | T | 65.6/75.4 |
| L505 | 6200005011 | S.COI NLV25T-100J | T | 65.5/71.0 |
| L506 | 6200005011 | S.COI NLV25T-100J | T | 61.2/68.3 |
| L507 | 6200002041 | S.COI NLV25T-101J | T | 78.0/91.8 |
| L508 | 6200005011 | S.COI NLV25T-100J | T | 73.1/91.7 |
| L509 | 6200005011 | S.COI NLV25T-100J | T | 69.5/92.2 |
| L510 | 6200002041 | S.COI NLV25T-101J | T | 66.2/89.8 |
| L511 | 6200002041 | S.COI NLV25T-101J | T | 65.8/81.9 |
| L512 | 6200002041 | S.COI NLV25T-101J | T | 56.3/38.3 |
| R1 | 7540000250 | ABS SA05C 401N | | |
| R2 | 7030003590 | S.RES ERJ3GEYJ 183 V (18K) | T | 79.6/14.9 |
| R3 | 7030008190 | S.RES ERJ12YJ330U (33) | T | 69.6/5.1 |
| R4 | 7030003560 | S.RES ERJ3GEYJ 103 V (10K) | T | 66.1/8.7 |
| R5 | 7030003560 | S.RES ERJ3GEYJ 103 V (10K) | T | 73.0/8.7 |
| R6 | 7030003860 | S.RES ERJ3GE JPW V | T | 66.1/11.1 |
| R7 | 7030003860 | S.RES ERJ3GE JPW V | T | 73.0/11.1 |
| R8 | 7030003640 | S.RES ERJ3GEYJ 473 V (47K) | T | 68.7/11.8 |
| R9 | 7030003640 | S.RES ERJ3GEYJ 473 V (47K) | T | 70.5/11.8 |
| R10 | 7030003580 | S.RES ERJ3GEYJ 153 V (15K) | T | 79.6/17.5 |
| R161 | 7030003560 | S.RES ERJ3GEYJ 103 V (10K) | T | 57.4/42.0 |
| R163 | 7030003400 | S.RES ERJ3GEYJ 471 V (47K) | T | 50.6/29.1 |
| R164 | 7030003290 | S.RES ERJ3GEYJ 560 V (56) | T | 56.1/35.7 |
| R165 | 7030003400 | S.RES ERJ3GEYJ 471 V (47K) | T | 57.4/33.0 |
| R166 | 7030003440 | S.RES ERJ3GEYJ 102 V (1K) | T | 55.7/47.0 |
| R167 | 7030003400 | S.RES ERJ3GEYJ 471 V (47K) | T | 56.1/33.0 |
| R168 | 7030003400 | S.RES ERJ3GEYJ 471 V (47K) | T | 54.9/33.0 |
| R169 | 7030003680 | S.RES ERJ3GEYJ 104 V (100K) | T | 58.9/26.5 |
| R181 | 7030003370 | S.RES ERJ3GEYJ 271 V (27K) | T | 54.1/66.0 |
| R182 | 7030003230 | S.RES ERJ3GEYJ 180 V (18) | T | 56.7/66.0 |

Eqv.= This component is equivalent to the REF No. component listed above, and may be substituted on parts orders and repairs.

[RF UNIT]

| REF NO. | PARTS NO. | DESCRIPTION | M. | H/V LOCATION |
|---------|------------|-----------------------------|----|--------------|
| R183 | 7030003370 | S.RES ERJ3GEYJ 271 V (27K) | T | 56.7/63.6 |
| R184 | 7030003220 | S.RES ERJ3GEYJ 150 V (15) | T | 61.0/56.2 |
| R185 | 7030003370 | S.RES ERJ3GEYJ 271 V (27K) | T | 56.6/54.0 |
| R186 | 7030003230 | S.RES ERJ3GEYJ 180 V (18) | T | 56.6/52.7 |
| R187 | 7030003370 | S.RES ERJ3GEYJ 271 V (27K) | T | 59.6/52.7 |
| R189 | 7030000010 | S.RES MCR10EZHZ JPW (000) | T | 60.5/63.2 |
| R201 | 7030003400 | S.RES ERJ3GEYJ 471 V (47K) | T | 52.0/45.7 |
| R221 | 7030003240 | S.RES ERJ3GEYJ 220 V (22) | T | 35.2/15.0 |
| R222 | 7030003280 | S.RES ERJ3GEYJ 470 V (47) | T | 33.0/14.1 |
| R223 | 7030003240 | S.RES ERJ3GEYJ 220 V (22) | T | 31.7/14.1 |
| R224 | 7030003320 | S.RES ERJ3GEYJ 101 V (100) | T | 36.9/13.6 |
| R225 | 7030003320 | S.RES ERJ3GEYJ 101 V (100) | T | 36.9/12.4 |
| R241 | 7030003320 | S.RES ERJ3GEYJ 101 V (100) | T | 38.0/18.0 |
| R242 | 7030003320 | S.RES ERJ3GEYJ 101 V (100) | T | 23.1/17.3 |
| R261 | 7030003320 | S.RES ERJ3GEYJ 101 V (100) | T | 37.3/24.1 |
| R262 | 7030003320 | S.RES ERJ3GEYJ 101 V (100) | T | 37.3/25.3 |
| R281 | 7030003320 | S.RES ERJ3GEYJ 101 V (100) | T | 39.5/29.5 |
| R282 | 7030003320 | S.RES ERJ3GEYJ 101 V (100) | T | 23.4/30.1 |
| R301 | 7030003320 | S.RES ERJ3GEYJ 101 V (100) | T | 39.6/35.6 |
| R302 | 7030003320 | S.RES ERJ3GEYJ 101 V (100) | T | 23.4/37.6 |
| R321 | 7030003320 | S.RES ERJ3GEYJ 101 V (100) | T | 39.5/41.7 |
| R322 | 7030003320 | S.RES ERJ3GEYJ 101 V (100) | T | 23.4/43.7 |
| R341 | 7030003320 | S.RES ERJ3GEYJ 101 V (100) | T | 39.6/47.8 |
| R342 | 7030003320 | S.RES ERJ3GEYJ 101 V (100) | T | 23.4/49.5 |
| R361 | 7030003320 | S.RES ERJ3GEYJ 101 V (100) | T | 41.8/53.9 |
| R362 | 7030003320 | S.RES ERJ3GEYJ 101 V (100) | T | 23.4/55.7 |
| R381 | 7030003320 | S.RES ERJ3GEYJ 101 V (100) | T | 31.5/75.3 |
| R382 | 7030003320 | S.RES ERJ3GEYJ 101 V (100) | T | 49.6/73.8 |
| R383 | 7030003280 | S.RES ERJ3GEYJ 470 V (47) | T | 36.0/67.4 |
| R384 | 7030003440 | S.RES ERJ3GEYJ 102 V (1K) | T | 44.8/71.9 |
| R385 | 7030003490 | S.RES ERJ3GEYJ 272 V (2.7K) | T | 47.2/71.9 |
| R401 | 7030003320 | S.RES ERJ3GEYJ 101 V (100) | T | 40.1/59.5 |
| R402 | 7030003320 | S.RES ERJ3GEYJ 101 V (100) | T | 48.1/58.9 |
| R421 | 7030003640 | S.RES ERJ3GEYJ 473 V (47K) | T | 39.8/13.6 |
| R422 | 7030003640 | S.RES ERJ3GEYJ 473 V (47K) | T | 35.1/17.1 |
| R423 | 7030003640 | S.RES ERJ3GEYJ 473 V (47K) | T | 40.0/24.1 |
| R424 | 7030003640 | S.RES ERJ3GEYJ 473 V (47K) | T | 37.0/30.3 |
| R425 | 7030003640 | S.RES ERJ3GEYJ 473 V (47K) | T | 37.0/36.4 |
| R426 | 7030003640 | S.RES ERJ3GEYJ 473 V (47K) | T | 37.2/42.4 |
| R427 | 7030003640 | S.RES ERJ3GEYJ 473 V (47K) | T | 37.0/48.6 |
| R428 | 7030003640 | S.RES ERJ3GEYJ 473 V (47K) | T | 37.8/53.9 |
| R429 | 7030003640 | S.RES ERJ3GEYJ 473 V (47K) | T | 34.2/75.3 |
| R430 | 7030003640 | S.RES ERJ3GEYJ 473 V (47K) | T | 48.1/57.7 |
| R431 | 7030003400 | S.RES ERJ3GEYJ 471 V (47K) | T | 22.9/11.1 |
| R441 | 7030003400 | S.RES ERJ3GEYJ 471 V (47K) | T | 16.0/64.2 |
| R442 | 7030003370 | S.RES ERJ3GEYJ 271 V (27K) | T | 14.8/56.4 |
| R443 | 7030003440 | S.RES ERJ3GEYJ 102 V (1K) | T | 17.4/73.9 |
| R444 | 7030003560 | S.RES ERJ3GEYJ 103 V (10K) | T | 12.7/57.2 |
| R445 | 7030003280 | S.RES ERJ3GEYJ 470 V (47) | T | 16.4/66.9 |
| R446 | 7030003320 | S.RES ERJ3GEYJ 101 V (100) | T | 7.2/67.4 |
| R447 | 7030003440 | S.RES ERJ3GEYJ 102 V (1K) | T | 6.9/60.5 |
| R448 | 7030003320 | S.RES ERJ3GEYJ 101 V (100) | T | 4.5/66.6 |
| R449 | 7030003480 | S.RES ERJ3GEYJ 222 V (2.2K) | T | 9.3/60.5 |
| R450 | 7030003370 | S.RES ERJ3GEYJ 271 V (27K) | T | 11.4/60.5 |
| R460 | 7030003740 | S.RES ERJ3GEYJ 334 V (33K) | T | 7.9/39.2 |
| R462 | 7030003720 | S.RES ERJ3GEYJ 224 V (22K) | T | 2.6/42.9 |
| R463 | 7030003680 | S.RES ERJ3GEYJ 104 V (100K) | T | 7.9/38.0 |
| R464 | 7030003840 | S.RES ERJ3GEYJ 225 V (2.2M) | T | 5.2/42.3 |
| R465 | 7030003380 | S.RES ERJ3GEYJ 331 V (33K) | T | 7.8/42.0 |
| R466 | 7030003680 | S.RES ERJ3GEYJ 104 V (100K) | T | 3.9/31.8 |
| R467 | 7030003840 | S.RES ERJ3GEYJ 225 V (2.2M) | T | 4.4/33.4 |
| R468 | 7030003720 | S.RES ERJ3GEYJ 224 V (22K) | T | 1.9/33.3 |
| R469 | 7030003590 | S.RES ERJ3GEYJ 183 V (18K) | T | 1.9/35.9 |
| R470 | 7030003400 | S.RES ERJ3GEYJ 471 V (47K) | T | 7.4/32.6 |
| R472 | 7030003600 | S.RES ERJ3GEYJ 223 V (22K) | T | 6.5/31.4 |
| R475 | 7030003860 | S.RES ERJ3GE JPW V | T | 16.4/43.4 |
| R476 | 7030003580 | S.RES ERJ3GEYJ 153 V (15K) | T | 13.8/43.2 |
| R477 | 7030003400 | S.RES ERJ3GEYJ 471 V (47K) | T | 11.2/42.9 |
| R478 | 7030003440 | S.RES ERJ3GEYJ 102 V (1K) | T | 5.9/28.1 |
| R479 | 7030003680 | S.RES ERJ3GEYJ 104 V (100K) | T | 6.5/25.8 |
| R480 | 7030003860 | S.RES ERJ3GE JPW V | T | 6.4/29.7 |
| R482 | 7030003560 | S.RES ERJ3GEYJ 103 V (10K) | T | 1.9/41.1 |
| R483 | 7030003320 | S.RES ERJ3GEYJ 101 V (100) | T | 7.3/33.8 |
| R484 | 7030003820 | S.RES ERJ3GEYJ 155 V (1.5M) | T | 11.6/45.4 |
| R485 | 7030003840 | S.RES ERJ3GEYJ 225 V (2.2M) | T | 14.8/52.4 |
| R486 | 7030003770 | S.RES ERJ3GEYJ 564 V (56K) | T | 16.7/53.1 |
| R487 | 7030003760 | S.RES ERJ3GEYJ 474 V (47K) | T | 17.6/50.0 |
| R488 | 7030003500 | S.RES ERJ3GEYJ 332 V (3.3K) | T | 12.0/52.4 |
| R489 | 7030003520 | S.RES ERJ3GEYJ 472 V (4.7K) | T | 4.7/57.8 |
| R490 | 7030003640 | S.RES ERJ3GEYJ 473 V (47K) | T | 16.2/40.2 |
| R492 | 7030003740 | S.RES ERJ3GEYJ 334 V (33K) | T | 6.2/52.5 |
| R494 | 7030003440 | S.RES ERJ3GEYJ 102 V (1K) | T | 2.4/21.3 |
| R495 | 7030003560 | S.RES ERJ3GEYJ 103 V (10K) | T | 5.5/22.9 |
| R496 | 7030003600 | S.RES ERJ3GEYJ 223 V (22K) | T | 1.9/38.5 |
| R501 | 7030003320 | S.RES ERJ3GEYJ 101 V (100) | T | 3.5/18.8 |
| R502 | 7030003680 | S.RES ERJ3GEYJ 104 V (100K) | T | 6.6/19.6 |
| R503 | 70 | | | |

[RF UNIT]

| REF NO. | PARTS NO. | DESCRIPTION | M. | H/V LOCATION |
|---------|------------|---------------------------------------|----|--------------|
| R520 | 7030003320 | S.RES ERJ3GEYJ 101 V (100) | T | 44.1/85.8 |
| R521 | 7030003320 | S.RES ERJ3GEYJ 101 V (100) | T | 41.0/85.8 |
| R522 | 7030003320 | S.RES ERJ3GEYJ 101 V (100) | T | 38.6/85.8 |
| R523 | 7030003320 | S.RES ERJ3GEYJ 101 V (100) | T | 36.2/85.8 |
| R525 | 7030003560 | S.RES ERJ3GEYJ 103 V (10K) | T | 8.6/28.1 |
| R527 | 7030003440 | S.RES ERJ3GEYJ 102 V (1K) | T | 59.7/42.1 |
| R528 | 7030003560 | S.RES ERJ3GEYJ 103 V (10K) | T | 59.7/43.3 |
| R529 | 7030009830 | S.RES ERJ12VJ391U (390) | T | 61.1/37.2 |
| R530 | 7030003390 | S.RES ERJ3GEYJ 391 V (390) | T | 60.5/49.6 |
| R531 | 7030003360 | S.RES ERJ3GEYJ 221 V (220) | T | 5.4/19.6 |
| R532 | 7030003640 | S.RES ERJ3GEYJ 473 V (47K) | T | 14.8/40.5 |
| R533 | 7030003710 | S.RES ERJ3GEYJ 184 V (180K) | T | 8.9/51.0 |
| C1 | 4030011050 | S.CER GRM31M3C2H3R0CY21L (GRM42-6 CJ) | T | 56.7/12.5 |
| C2 | 4030007150 | S.CER C1608 CH 1H 151J-T | T | 60.8/12.1 |
| C3 | 4030006870 | S.CER C1608 JB 1H 222K-T | T | 73.0/7.4 |
| C4 | 4030011340 | S.CER C1608 CH 1H 471J-T | T | 66.1/9.9 |
| C5 | 4030011340 | S.CER C1608 CH 1H 471J-T | T | 73.0/9.9 |
| C6 | 4030006870 | S.CER C1608 JB 1H 222K-T | T | 66.1/7.4 |
| C7 | 4030006880 | S.CER C1608 JB 1H 472K-T | T | 50.4/15.6 |
| C8 | 4030006880 | S.CER C1608 JB 1H 472K-T | T | 53.1/17.9 |
| C9 | 4030011790 | S.CER GRM55RF52A684ZD01L (GRM44-1) | T | 79.6/3.3 |
| C12 | 4030011600 | S.CER C1608 JB 1E 104K-T | T | 58.1/17.4 |
| C13 | 4030011600 | S.CER C1608 JB 1E 104K-T | T | 58.1/15.6 |
| C141 | 4030011600 | S.CER C1608 JB 1E 104K-T | T | 9.9/19.3 |
| C142 | 4030011600 | S.CER C1608 JB 1E 104K-T | T | 10.6/31.8 |
| C143 | 4510009250 | S.ELE EEEFK1C471P | T | 17.9/5.8 |
| C161 | 4030007070 | S.CER C1608 CH 1H 330J-T | T | 51.7/24.8 |
| C162 | 4030007110 | S.CER C1608 CH 1H 680J-T | T | 48.7/25.5 |
| C163 | 4030007120 | S.CER C1608 CH 1H 820J-T | T | 47.8/21.0 |
| C164 | 4030006880 | S.CER C1608 JB 1H 472K-T | T | 59.7/44.5 |
| C165 | 4030006880 | S.CER C1608 JB 1H 472K-T | T | 61.2/50.8 |
| C166 | 4030006880 | S.CER C1608 JB 1H 472K-T | T | 60.1/40.2 |
| C168 | 4030011600 | S.CER C1608 JB 1E 104K-T | T | 49.4/27.5 |
| C169 | 4030011600 | S.CER C1608 JB 1E 104K-T | T | 61.0/31.5 |
| C170 | 4030011600 | S.CER C1608 JB 1E 104K-T | T | 58.8/33.0 |
| C171 | 4030011600 | S.CER C1608 JB 1E 104K-T | T | 50.6/31.7 |
| C173 | 4030011600 | S.CER C1608 JB 1E 104K-T | T | 54.9/35.7 |
| C174 | 4030009990 | S.CER C1608 CH 1H 200J-T | T | 47.1/18.9 |
| C175 | 4030007090 | S.CER C1608 CH 1H 470J-T | T | 47.8/17.1 |
| C176 | 4030011600 | S.CER C1608 JB 1E 104K-T | T | 57.6/26.5 |
| C181 | 4030011600 | S.CER C1608 JB 1E 104K-T | T | 60.7/61.6 |
| C182 | 4030011600 | S.CER C1608 JB 1E 104K-T | T | 57.8/58.3 |
| C183 | 4030011600 | S.CER C1608 JB 1E 104K-T | T | 55.3/58.5 |
| C184 | 4030007130 | S.CER C1608 CH 1H 101J-T | T | 58.6/54.6 |
| C186 | 4030007130 | S.CER C1608 CH 1H 101J-T | T | 55.6/51.5 |
| C187 | 4030007130 | S.CER C1608 CH 1H 101J-T | T | 56.7/64.8 |
| C195 | 4030011600 | S.CER C1608 JB 1E 104K-T | T | 58.6/51.5 |
| C201 | 4030011600 | S.CER C1608 JB 1E 104K-T | T | 54.6/45.7 |
| C202 | 4030011600 | S.CER C1608 JB 1E 104K-T | T | 50.4/44.5 |
| C203 | 4030008920 | S.CER C1608 JB 1H 473K-T | T | 49.3/45.7 |
| C204 | 4030009980 | S.CER C1608 JB 1H 152K-T | T | 47.8/44.5 |
| C205 | 4030006880 | S.CER C1608 JB 1H 472K-T | T | 45.3/46.4 |
| C206 | 4030008470 | S.CER C1608 JB 1H 272K-T | T | 45.2/44.5 |
| C207 | 4030011600 | S.CER C1608 JB 1E 104K-T | T | 48.5/41.9 |
| C208 | 4030006880 | S.CER C1608 JB 1H 472K-T | T | 46.5/46.4 |
| C221 | 4030008680 | S.CER C2012 JF 1C 105Z-T | T | 34.6/12.6 |
| C222 | 4030008470 | S.CER C1608 JB 1H 272K-T | T | 27.3/11.9 |
| C223 | 4030007170 | S.CER C1608 CH 1H 221J-T | T | 25.4/12.4 |
| C224 | 4030006870 | S.CER C1608 JB 1H 222K-T | T | 25.4/11.2 |
| C241 | 4030011600 | S.CER C1608 JB 1E 104K-T | T | 38.0/16.8 |
| C242 | 4030009970 | S.CER C1608 JB 1H 182K-T | T | 32.3/18.0 |
| C243 | 4030017870 | S.CER C1608 CH 1H 681J-T | T | 32.3/19.2 |
| C244 | 4030017870 | S.CER C1608 CH 1H 681J-T | T | 30.4/18.5 |
| C245 | 4030008470 | S.CER C1608 JB 1H 272K-T | T | 28.2/22.1 |
| C246 | 4030008850 | S.CER C1608 JB 1H 123K-T | T | 26.0/17.3 |
| C247 | 4030018610 | S.CER C1608 CH 1H 182J-T | T | 25.4/22.1 |
| C248 | 4030011600 | S.CER C1608 JB 1E 104K-T | T | 24.8/17.3 |
| C249 | 4030011330 | S.CER C1608 CH 1H 391J-T | T | 37.2/20.8 |
| C261 | 4030011600 | S.CER C1608 JB 1E 104K-T | T | 34.6/24.1 |
| C262 | 4030010020 | S.CER C1608 JB 1H 122K-T | T | 27.4/24.4 |
| C263 | 4030007100 | S.CER C1608 CH 1H 560J-T | T | 25.5/24.9 |
| C264 | 4030017870 | S.CER C1608 CH 1H 681J-T | T | 25.5/23.7 |
| C265 | 4030017800 | S.CER C1608 CH 1H 561J-T | T | 28.9/24.4 |
| C266 | 4030007150 | S.CER C1608 CH 1H 151J-T | T | 28.9/27.0 |
| C281 | 4030011600 | S.CER C1608 JB 1E 104K-T | T | 42.2/30.2 |
| C282 | 4030011340 | S.CER C1608 CH 1H 471J-T | T | 35.8/30.3 |
| C283 | 4030007110 | S.CER C1608 CH 1H 680J-T | T | 34.6/33.0 |
| C284 | 4030011280 | S.CER C1608 CH 1H 271J-T | T | 34.6/30.3 |
| C285 | 4030010020 | S.CER C1608 JB 1H 122K-T | T | 30.2/33.1 |
| C286 | 4030008770 | S.CER C1608 JB 1H 562K-T | T | 28.3/32.6 |
| C287 | 4030017870 | S.CER C1608 CH 1H 681J-T | T | 28.3/33.8 |
| C288 | 4030011600 | S.CER C1608 JB 1E 104K-T | T | 25.6/29.5 |
| C301 | 4030011600 | S.CER C1608 JB 1E 104K-T | T | 42.2/36.3 |
| C302 | 4030010760 | S.CER C1608 CH 1H 331J-T | T | 35.8/36.4 |
| C303 | 4030007100 | S.CER C1608 CH 1H 560J-T | T | 34.6/39.1 |
| C304 | 4030007160 | S.CER C1608 CH 1H 181J-T | T | 34.6/36.4 |
| C305 | 4030018580 | S.CER C1608 CH 1H 821J-T | T | 30.2/39.2 |
| C306 | 4030008470 | S.CER C1608 JB 1H 272K-T | T | 28.3/38.7 |
| C307 | 4030010760 | S.CER C1608 CH 1H 331J-T | T | 28.3/39.9 |
| C308 | 4030011600 | S.CER C1608 JB 1E 104K-T | T | 25.6/35.6 |
| C321 | 4030006880 | S.CER C1608 JB 1H 472K-T | T | 42.2/42.4 |
| C322 | 4030011280 | S.CER C1608 CH 1H 271J-T | T | 35.9/42.4 |
| C323 | 4030007100 | S.CER C1608 CH 1H 560J-T | T | 34.6/45.2 |
| C324 | 4030007150 | S.CER C1608 CH 1H 151J-T | T | 34.6/42.4 |

Eqv.= This component is equivalent to the REF No. component listed above, and may be substituted on parts orders and repairs.

[RF UNIT]

| REF NO. | PARTS NO. | DESCRIPTION | M. | H/V LOCATION |
|---------|------------|---------------------------|----|--------------|
| C325 | 4030011340 | S.CER C1608 CH 1H 471J-T | T | 30.2/45.3 |
| C326 | 4030009980 | S.CER C1608 JB 1H 152K-T | T | 28.3/44.8 |
| C327 | 4030007170 | S.CER C1608 CH 1H 221J-T | T | 28.3/46.0 |
| C328 | 4030006880 | S.CER C1608 JB 1H 472K-T | T | 25.6/41.7 |
| C341 | 4030006880 | S.CER C1608 JB 1H 472K-T | T | 42.2/48.6 |
| C342 | 4030007170 | S.CER C1608 CH 1H 221J-T | T | 35.8/48.6 |
| C343 | 4030007070 | S.CER C1608 CH 1H 330J-T | T | 34.6/51.3 |
| C344 | 4030007140 | S.CER C1608 CH 1H 121J-T | T | 34.6/48.7 |
| C345 | 4030011280 | S.CER C1608 CH 1H 271J-T | T | 30.2/51.4 |
| C346 | 4030010020 | S.CER C1608 JB 1H 122K-T | T | 28.3/50.9 |
| C347 | 4030007150 | S.CER C1608 CH 1H 151J-T | T | 28.3/52.1 |
| C348 | 4030006880 | S.CER C1608 JB 1H 472K-T | T | 25.6/47.8 |
| C360 | 4030007120 | S.CER C1608 CH 1H 820J-T | T | 42.6/56.4 |
| C361 | 4030011600 | S.CER C1608 JB 1E 104K-T | T | 43.8/53.9 |
| C362 | 4030007140 | S.CER C1608 CH 1H 121J-T | T | 35.9/54.6 |
| C363 | 4030007100 | S.CER C1608 CH 1H 560J-T | T | 34.7/57.2 |
| C364 | 4030007090 | S.CER C1608 CH 1H 470J-T | T | 34.7/54.6 |
| C365 | 4030007170 | S.CER C1608 CH 1H 221J-T | T | 30.2/57.5 |
| C366 | 4030018580 | S.CER C1608 CH 1H 821J-T | T | 28.4/57.1 |
| C367 | 4030007130 | S.CER C1608 CH 1H 101J-T | T | 28.3/58.3 |
| C368 | 4030011600 | S.CER C1608 JB 1E 104K-T | T | 25.6/53.9 |
| C369 | 4030007090 | S.CER C1608 CH 1H 470J-T | T | 37.8/55.1 |
| C381 | 4030007110 | S.CER C1608 CH 1H 680J-T | T | 46.6/65.7 |
| C382 | 4030007160 | S.CER C1608 CH 1H 181J-T | T | 43.9/65.7 |
| C383 | 4030011600 | S.CER C1608 JB 1E 104K-T | T | 31.5/76.5 |
| C384 | 4030011600 | S.CER C1608 JB 1E 104K-T | T | 50.5/71.9 |
| C385 | 4030011600 | S.CER C1608 JB 1E 104K-T | T | 46.0/71.9 |
| C386 | 4030011600 | S.CER C1608 JB 1E 104K-T | T | 48.9/71.9 |
| C387 | 4030011600 | S.CER C1608 JB 1E 104K-T | T | 30.4/70.4 |
| C388 | 4030011600 | S.CER C1608 JB 1E 104K-T | T | 31.1/68.0 |
| C401 | 4030007110 | S.CER C1608 CH 1H 680J-T | T | 47.3/63.7 |
| C402 | 4030007080 | S.CER C1608 CH 1H 390J-T | T | 39.7/63.8 |
| C403 | 4030007150 | S.CER C1608 CH 1H 151J-T | T | 50.0/68.0 |
| C404 | 4030018580 | S.CER C1608 CH 1H 821J-T | T | 42.8/59.4 |
| C405 | 4030007120 | S.CER C1608 CH 1H 820J-T | T | 34.8/61.0 |
| C406 | 4030007030 | S.CER C1608 CH 1H 150J-T | T | 34.8/64.4 |
| C407 | 4030007150 | S.CER C1608 CH 1H 151J-T | T | 32.9/61.0 |
| C408 | 4030007080 | S.CER C1608 CH 1H 390J-T | T | 32.1/62.9 |
| C409 | 4030007140 | S.CER C1608 CH 1H 121J-T | T | 31.3/61.0 |
| C410 | 4030008560 | S.CER C1608 CH 1H 300J-T | T | 29.3/64.4 |
| C411 | 4030007120 | S.CER C1608 CH 1H 820J-T | T | 29.3/61.2 |
| C412 | 4030007090 | S.CER C1608 CH 1H 470J-T | T | 41.7/64.6 |
| C413 | 4030007030 | S.CER C1608 CH 1H 150J-T | T | 51.2/60.8 |
| C441 | 4030011600 | S.CER C1608 JB 1E 104K-T | T | 24.8/67.3 |
| C442 | 4030011600 | S.CER C1608 JB 1E 104K-T | T | 14.8/57.6 |
| C443 | 4030018910 | S.CER C1608 JB 0J 475K-T | T | 14.8/58.8 |
| C444 | 4030011600 | S.CER C1608 JB 1E 104K-T | T | 14.8/73.9 |
| C445 | 4030011600 | S.CER C1608 JB 1E 104K-T | T | 12.6/60.5 |
| C446 | 4030011600 | S.CER C1608 JB 1E 104K-T | T | 10.0/67.4 |
| C447 | 4030006880 | S.CER C1608 JB 1H 472K-T | T | 16.6/70.6 |
| C448 | 4030011600 | S.CER C1608 JB 1E 104K-T | T | 8.1/60.5 |
| C450 | 4030011600 | S.CER C1608 JB 1E 104K-T | T | 5.0/76.7 |
| C451 | 4030011600 | S.CER C1608 JB 1E 104K-T | T | 14.1/68.7 |
| C452 | 4030011600 | S.CER C1608 JB 1E 104K-T | T | 15.4/70.6 |
| C453 | 4030011600 | S.CER C1608 JB 1E 104K-T | T | 8.6/58.6 |
| C454 | 4510009250 | S.ELE EEEFK1C471P | T | 14.9/84.9 |
| C455 | 4030007110 | S.CER C1608 CH 1H 680J-T | T | 11.4/77.0 |
| C456 | 4030007090 | S.CER C1608 CH 1H 470J-T | T | 20.0/72.6 |
| C457 | 4030007090 | S.CER C1608 CH 1H 470J-T | T | 16.4/61.3 |
| C460 | 4030006900 | S.CER C1608 JB 1H 103K-T | T | 10.9/38.2 |
| C461 | 4030011600 | S.CER C1608 JB 1E 104K-T | T | 7.8/35.0 |
| C462 | 4030006880 | S.CER C1608 JB 1H 472K-T | T | 7.8/40.8 |
| C464 | 4030017480 | S.CER C1608 JB 1A 474K-T | T | 3.3/30.1 |
| C468 | 4030011600 | S.CER C1608 JB 1E 104K-T | T | 3.3/16.9 |
| C470 | 4030018970 | S.CER C3225 JB 1C 226MT-N | T | 3.0/45.8 |
| C471 | 4030018970 | S.CER C3225 JB 1C 226MT-N | T | 6.0/45.1 |
| C480 | 4030017490 | S.CER C1608 JB 1A 105K-T | T | 2.2/26.5 |
| C481 | 4030011600 | S.CER C1608 JB 1E 104K-T | T | 4.3/29.2 |
| C482 | 4030017490 | S.CER C1608 JB 1A 105K-T | T | 2.2/27.7 |
| C483 | 4030017490 | S.CER C1608 JB 1A 105K-T | T | 2.2/25.3 |
| C504 | 4030006880 | S.CER C1608 JB 1H 472K-T | T | 30.2/85.1 |
| C506 | 4030006880 | S.CER C1608 JB 1H 472K-T | T | 76.1/93.6 |
| C507 | 4030006880 | S.CER C1608 JB 1H 472K-T | T | 63.5/84.1 |
| C508 | 4030006880 | S.CER C1608 JB 1H 472K-T | T | 66.1/77.3 |
| C509 | 4030006880 | S.CER C1608 JB 1H 472K-T | T | 63.5/78.8 |
| C510 | 4030006880 | S.CER C1608 JB 1H 472K-T | T | 61.7/72.9 |
| C511 | 4030006880 | S.CER C1608 JB 1H 472K-T | T | 62.5/71.0 |
| C512 | 4030006880 | S.CER C1608 JB 1H 472K-T | T | 60.5/66.0 |
| C513 | 4030006880 | S.CER C1608 JB 1H 472K-T | T | 72.7/94.9 |
| C514 | 4030006880 | S.CER C1608 JB 1H 472K-T | T | 68.8/94.6 |
| C515 | 40300068 | | | |

[RF UNIT]

| REF NO. | PARTS NO. | DESCRIPTION | M. | H/V LOCATION |
|---------|------------|----------------------------|----|--------------|
| C535 | 4030007090 | S.CER C1608 CH 1H 470J-T | T | 42.2/85.8 |
| C536 | 4030007090 | S.CER C1608 CH 1H 470J-T | T | 45.3/85.8 |
| C537 | 4030006880 | S.CER C1608 JB 1H 472K-T | T | 33.8/85.8 |
| C538 | 4030006880 | S.CER C1608 JB 1H 472K-T | T | 50.7/88.2 |
| C539 | 4030006880 | S.CER C1608 JB 1H 472K-T | T | 51.9/88.7 |
| C542 | 4030006880 | S.CER C1608 JB 1H 472K-T | T | 53.1/88.7 |
| C543 | 4030006880 | S.CER C1608 JB 1H 472K-T | T | 46.5/85.8 |
| C544 | 4030006880 | S.CER C1608 JB 1H 472K-T | T | 47.7/85.8 |
| C545 | 4030006880 | S.CER C1608 JB 1H 472K-T | T | 48.9/85.8 |
| C546 | 4030011600 | S.CER C1608 JB 1E 104K-T | T | 50.1/85.5 |
| C547 | 4030006880 | S.CER C1608 JB 1H 472K-T | T | 57.9/88.7 |
| C548 | 4030006880 | S.CER C1608 JB 1H 472K-T | T | 56.7/88.7 |
| C549 | 4030006880 | S.CER C1608 JB 1H 472K-T | T | 35.0/85.8 |
| C551 | 4030006880 | S.CER C1608 JB 1H 472K-T | T | 59.1/88.7 |
| C552 | 4030006880 | S.CER C1608 JB 1H 472K-T | T | 72.7/93.7 |
| C553 | 4030006880 | S.CER C1608 JB 1H 472K-T | T | 60.3/88.7 |
| C554 | 4030011600 | S.CER C1608 JB 1E 104K-T | T | 65.5/43.4 |
| C555 | 4030011600 | S.CER C1608 JB 1E 104K-T | T | 53.8/29.7 |
| C556 | 4030006880 | S.CER C1608 JB 1H 472K-T | T | 38.4/89.0 |
| C557 | 4030006880 | S.CER C1608 JB 1H 472K-T | T | 38.4/90.2 |
| C558 | 4030006880 | S.CER C1608 JB 1H 472K-T | T | 36.2/94.2 |
| C559 | 4030006880 | S.CER C1608 JB 1H 472K-T | T | 36.2/95.4 |
| C560 | 4030006880 | S.CER C1608 JB 1H 472K-T | T | 32.6/85.8 |
| C561 | 4030006880 | S.CER C1608 JB 1H 472K-T | T | 49.5/88.8 |
| RL1 | 6330002020 | REL FTR-B4CA009Z | | |
| RL501 | 6330002020 | REL FTR-B4CA009Z | | |
| J5 | 6510024151 | S.CON 50FY-BMT-TB(LF)(SN) | T | 22.2/90.9 |
| J6 | 6510024151 | S.CON 50FY-BMT-TB(LF)(SN) | T | 51.8/93.2 |
| J7 | 6510028210 | CON SJ050010 (TMP-J01X-V6) | | |
| J8 | 6510028210 | CON SJ050010 (TMP-J01X-V6) | | |
| J10 | 6510028210 | CON SJ050010 (TMP-J01X-V6) | | |
| J501 | 6450001641 | CON TC55044-0141177 | | |
| J502 | 6450001130 | CON JPJ2042-01-110 | | |
| J503 | 6510023900 | CON LGR4619-7000 | | |
| EP170 | 6910012350 | S.BEA MMZ1608Y 102BT | T | 60.9/25.7 |
| EP501 | 6910012350 | S.BEA MMZ1608Y 102BT | T | 70.3/48.0 |
| EP502 | 6910018930 | S.BEA MPZ2012S601A | T | 65.8/84.1 |
| EP503 | 6910018930 | S.BEA MPZ2012S601A | T | 65.8/79.7 |
| EP504 | 6910018930 | S.BEA MPZ2012S601A | T | 65.8/73.2 |
| EP505 | 6910018930 | S.BEA MPZ2012S601A | T | 73.8/29.7 |
| EP507 | 6910018930 | S.BEA MPZ2012S601A | T | 28.2/87.5 |
| EP509 | 6910018930 | S.BEA MPZ2012S601A | T | 23.9/85.9 |
| EP510 | 6910018930 | S.BEA MPZ2012S601A | T | 21.6/85.9 |
| EP511 | 6910012350 | S.BEA MMZ1608Y 102BT | T | 67.2/53.3 |
| EP512 | 6910012350 | S.BEA MMZ1608Y 102BT | T | 72.2/54.8 |

[PA UNIT]

| REF NO. | PARTS NO. | DESCRIPTION | M. | H/V LOCATION |
|---------|------------|-------------------------------------|----|--------------|
| IC1 | 1180001252 | S.IC TA7808F(TE16L1NQ) | T | 164.8/26.4 |
| IC2 | 1110003800 | S.IC NJM2904V-TE1-#FMZB | T | 103.2/70.8 |
| Q1 | 1560001241 | S.FET RD01MUS1-T113 | T | 26.7/30.8 |
| Q2 | 1560001530 | FET RD15HVF1-101 | | |
| Q3 | 1560001530 | FET RD15HVF1-101 | | |
| Q4 | 1560001640 | FET RD100HHF1C-103 | | |
| Q5 | 1560001640 | FET RD100HHF1C-103 | | |
| Q7 | 1590000680 | S.TRA DTC114EUA T106 | T | 20.0/58.6 |
| Q131 | 1540000550 | S.TRA 2SD1664 T100Q | T | 144.7/84.5 |
| D4 | 1790000700 | DIO DSA3A1 | | |
| D5 | 1790000700 | DIO DSA3A1 | | |
| D6 | 1790001251 | S.DIO MA2S1110GL | T | 11.6/56.1 |
| D8 | 1790001251 | S.DIO MA2S1110GL | T | 84.8/12.9 |
| D9 | 1790001251 | S.DIO MA2S1110GL | T | 84.8/54.1 |
| D10 | 1790001251 | S.DIO MA2S1110GL | T | 38.3/9.6 |
| D11 | 1790001251 | S.DIO MA2S1110GL | T | 39.2/39.0 |
| D17 | 1790001251 | S.DIO MA2S1110GL | T | 89.2/56.7 |
| D18 | 1790001251 | S.DIO MA2S1110GL | T | 89.2/10.4 |
| L1 | 6140002350 | COI LR-274 (RIB4X7X5 3A6) | | |
| L2 | 6140004690 | COI LR-530 <KN> | | |
| L3 | 6140004700 | COI LR-529 | | |
| L4 | 6140003590 | COI LR-400 (TR10X5X5 6H3) | | |
| L5 | 6140004570 | COI LR-507 | | |
| L7 | 6140002220 | COI LR-270 (TR6X3X2 3A9) | | |
| L24 | 6200003241 | S.COI NLV32T-221J | T | 21.4/16.8 |
| L25 | 6200003241 | S.COI NLV32T-221J | T | 18.4/13.8 |
| L29 | 6140003440 | COI LR-386 (FK-100E-5003H) [EUR] | | |
| | 6140003440 | COI LR-386 (FK-100E-5003H) [FRA] | | |
| | 6140003440 | COI LR-386 (FK-100E-5003H) [ITR] | | |
| | 6140003440 | COI LR-386 (FK-100E-5003H) [ESP] | | |
| | 6140003440 | COI LR-386 (FK-100E-5003H) [EUR-01] | | |
| L38 | 6140003440 | COI LR-386 (FK-100E-5003H) [EUR] | | |
| | 6140003440 | COI LR-386 (FK-100E-5003H) [FRA] | | |
| | 6140003440 | COI LR-386 (FK-100E-5003H) [ITR] | | |
| | 6140003440 | COI LR-386 (FK-100E-5003H) [ESP] | | |
| | 6140003440 | COI LR-386 (FK-100E-5003H) [EUR-01] | | |
| L131 | 6200002041 | S.COI NLV25T-101J | T | 36.0/80.2 |
| R1 | 7030003310 | S.RES ERJ3GEYJ 820 V (82) | T | 23.5/31.2 |
| R2 | 7030003510 | S.RES ERJ3GEYJ 392 V (3.9K) | T | 22.3/31.2 |
| R3 | 7030003410 | S.RES ERJ3GEYJ 561 V (560) | T | 26.8/26.1 |
| R4 | 7030006210 | S.RES ERJ12YJ4R7U (4.7) | T | 31.1/34.2 |
| R5 | 7030008180 | S.RES ERJ12YJ331U (330) | T | 29.5/24.2 |
| R6 | 7030003450 | S.RES ERJ3GEYJ 122 V (1.2K) | T | 23.5/33.8 |
| R7 | 7030000220 | S.RES MCR10EZHZJ 47 (470) | T | 40.3/41.0 |
| R8 | 7030000220 | S.RES MCR10EZHZJ 47 (470) | T | 40.3/8.2 |
| R9 | 7030010480 | S.RES ERJ1TYJ 181U (180) | T | 49.5/34.7 |
| R10 | 7030010480 | S.RES ERJ1TYJ 181U (180) | T | 49.5/6.6 |
| R11 | 7030003230 | S.RES ERJ3GEYJ 180 V (18) | T | 15.5/25.8 |
| R12 | 7030003370 | S.RES ERJ3GEYJ 271 V (270) | T | 16.3/27.9 |
| R13 | 7030003370 | S.RES ERJ3GEYJ 271 V (270) | T | 16.8/25.8 |
| R15 | 7030010410 | S.RES ERJ1TYJ 220U (22) | T | 107.4/38.5 |
| R16 | 7030010410 | S.RES ERJ1TYJ 220U (22) | T | 107.4/28.5 |
| R17 | 7030003510 | S.RES ERJ3GEYJ 392 V (3.9K) | T | 90.0/54.8 |
| R18 | 7030003510 | S.RES ERJ3GEYJ 392 V (3.9K) | T | 90.0/12.2 |
| R20 | 7030000010 | S.RES MCR10EZHZJ JPW (000) | T | 21.5/26.0 |
| R22 | 7030010950 | S.RES ERJ1TYJ 100U (10) | T | 74.2/18.1 |
| R25 | 7030005971 | S.RES ERA3YKD 683V (68K) | T | 143.1/80.4 |
| R26 | 7030005981 | S.RES ERA3YED 333V (33K) | T | 138.7/80.4 |
| R27 | 7030005981 | S.RES ERA3YED 333V (33K) | T | 136.9/80.4 |
| R29 | 7030007661 | S.RES ERA3YED 331V (330) | T | 140.5/81.2 |
| R31 | 7030003450 | S.RES ERJ3GEYJ 122 V (1.2K) | T | 92.4/7.7 |
| R32 | 7030010570 | S.RES ERJ1TYJ 4R7U (4.7) | T | 165.7/61.8 |
| R33 | 7030010570 | S.RES ERJ1TYJ 4R7U (4.7) | T | 169.4/61.8 |
| R34 | 7030010410 | S.RES ERJ1TYJ 220U (22) | T | 103.4/38.5 |
| R36 | 7030010410 | S.RES ERJ1TYJ 220U (22) | T | 103.4/28.5 |
| R37 | 7030010410 | S.RES ERJ1TYJ 220U (22) | T | 87.7/50.7 |
| R38 | 7030010410 | S.RES ERJ1TYJ 220U (22) | T | 87.7/16.3 |
| R39 | 7030011240 | S.RES LRF3W-LF-01-R020F | T | 137.8/75.5 |
| R40 | 7030011240 | S.RES LRF3W-LF-01-R020F | T | 137.8/68.5 |
| R41 | 7030003320 | S.RES ERJ3GEYJ 101 V (100) | T | 18.4/64.4 |
| R42 | 7030003320 | S.RES ERJ3GEYJ 101 V (100) | T | 18.4/68.1 |
| R43 | 7030003320 | S.RES ERJ3GEYJ 101 V (100) | T | 17.4/71.8 |
| R44 | 7030003400 | S.RES ERJ3GEYJ 471 V (470) | T | 9.6/25.2 |
| R45 | 7030003400 | S.RES ERJ3GEYJ 471 V (470) | T | 8.2/17.8 |
| R46 | 7030003480 | S.RES ERJ3GEYJ 222 V (2.2K) | T | 41.3/43.1 |
| R47 | 7030003480 | S.RES ERJ3GEYJ 222 V (2.2K) | T | 41.3/6.2 |
| R49 | 7030011130 | S.RES ERJ1TYJ 1R0U (1) | T | 99.9/13.5 |
| R50 | 7510001551 | S.THE NT0G16 4LH 333JT | T | 105.1/6.2 |
| R51 | 7030003440 | S.RES ERJ3GEYJ 102 V (1K) | T | 33.6/32.7 |
| R52 | 7030004040 | S.RES ERJ3GEYJ 4R7 V (4.7) | T | 24.1/59.3 |
| R55 | 7030005971 | S.RES ERA3YKD 683V (68K) | T | 136.9/85.7 |
| R60 | 7030011130 | S.RES ERJ1TYJ 1R0U (1) | T | 99.9/53.6 |
| R71 | 7030003650 | S.RES ERJ3GEYJ 563 V (56K) | T | 6.0/28.2 |
| R72 | 7030003680 | S.RES ERJ3GEYJ 104 V (100K) | T | 4.8/28.2 |
| R73 | 7030003650 | S.RES ERJ3GEYJ 563 V (56K) | T | 8.4/26.7 |
| R74 | 7030003680 | S.RES ERJ3GEYJ 104 V (100K) | T | 7.2/28.2 |
| R75 | 7030003680 | S.RES ERJ3GEYJ 104 V (100K) | T | 3.4/19.3 |
| R76 | 7030003650 | S.RES ERJ3GEYJ 563 V (56K) | T | 7.0/17.8 |

Eqv.= This component is equivalent to the REF No. component listed above, and may be substituted on parts orders and repairs.

M.=Mounted side (T: Mounted on the Top side, B: Mounted on the Bottom side) S.=Surface mount

[PA UNIT]

| REF NO. | PARTS NO. | DESCRIPTION | M. | H/V LOCATION |
|---------|------------|---------------------------------------|----|--------------|
| R77 | 7030003680 | S.RES ERJ3GEYJ 104 V (100K) | T | 5.8/17.1 |
| R78 | 7030003650 | S.RES ERJ3GEYJ 563 V (56K) | T | 4.6/19.3 |
| R79 | 7030003320 | S.RES ERJ3GEYJ 101 V (100) | T | 10.4/20.8 |
| R81 | 7030008240 | S.RES ERJ12Y0R00U | T | 40.2/32.4 |
| R82 | 7030008240 | S.RES ERJ12Y0R00U | T | 40.2/16.8 |
| R106 | 7030010250 | S.RES ERJ1TYJ 0R00U | T | 92.5/39.8 |
| R107 | 7030010250 | S.RES ERJ1TYJ 0R00U | T | 92.5/27.2 |
| R120 | 7030010250 | S.RES ERJ1TYJ 0R00U | T | 149.9/59.8 |
| R131 | 7030003400 | S.RES ERJ3GEYJ 471 V (470) | T | 141.4/85.2 |
| R132 | 7030003860 | S.RES ERJ3GE JPW V | T | 148.4/84.3 |
| C1 | 4030017320 | S.CER GRM21BB11H104KA01L (GRM40-034) | T | 23.3/28.0 |
| C2 | 4030008960 | S.CER C2012 JB 1C 104K-T | T | 25.2/26.4 |
| C3 | 4030004720 | S.CER C2012 JB 1H 102K-T | T | 25.9/37.6 |
| C4 | 4030005110 | S.CER C2012 JB 1E 473K-T | T | 28.5/19.6 |
| C5 | 4030012490 | S.CER GRM31M1X2A472JZ01L (GRM42-6 SL) | T | 44.0/37.1 |
| C6 | 4030012490 | S.CER GRM31M1X2A472JZ01L (GRM42-6 SL) | T | 44.0/9.0 |
| C8 | 4030005110 | S.CER C2012 JB 1E 473K-T | T | 30.1/28.8 |
| C12 | 4030007130 | S.CER C1608 CH 1H 101J-T | T | 14.3/25.8 |
| C17 | 4030008920 | S.CER C1608 JB 1H 473K-T | T | 22.3/33.9 |
| C19 | 4030008920 | S.CER C1608 JB 1H 473K-T | T | 23.5/36.5 |
| C21 | 4030005110 | S.CER C2012 JB 1E 473K-T | T | 72.7/12.4 |
| C22 | 4030006860 | S.CER C1608 JB 1H 102K-T | T | 74.2/12.7 |
| C27 | 4510009250 | S.ELE EEEFK1C471P | T | 181.0/73.2 |
| C28 | 4030006880 | S.CER C1608 JB 1H 472K-T | T | 150.9/72.0 |
| C29 | 4030011600 | S.CER C1608 JB 1E 104K-T | T | 161.5/72.0 |
| C30 | 4030007170 | S.CER C1608 CH 1H 221J-T | T | 165.4/72.0 |
| C31 | 4030005110 | S.CER C2012 JB 1E 473K-T | T | 125.3/80.6 |
| C32 | 4510009250 | S.ELE EEEFK1C471P | T | 130.6/81.6 |
| C33 | 4030006880 | S.CER C1608 JB 1H 472K-T | T | 119.6/70.3 |
| C34 | 4030007170 | S.CER C1608 CH 1H 221J-T | T | 117.3/70.3 |
| C35 | 4030018980 | S.CER C1608 JB 1H 104K-T | T | 115.0/70.3 |
| C42 | 4510009250 | S.ELE EEEFK1C471P | T | 145.9/73.2 |
| C43 | 4030006880 | S.CER C1608 JB 1H 472K-T | T | 94.8/6.2 |
| C44 | 4030006880 | S.CER C1608 JB 1H 472K-T | T | 90.0/7.7 |
| C46 | 4030006880 | S.CER C1608 JB 1H 472K-T | T | 23.2/76.3 |
| C47 | 4030006880 | S.CER C1608 JB 1H 472K-T | T | 135.7/83.1 |
| C52 | 4030008920 | S.CER C1608 JB 1H 473K-T | T | 96.0/6.2 |
| C53 | 4030008920 | S.CER C1608 JB 1H 473K-T | T | 18.7/56.1 |
| C54 | 4030008920 | S.CER C1608 JB 1H 473K-T | T | 91.2/7.7 |
| C55 | 4030006880 | S.CER C1608 JB 1H 472K-T | T | 18.4/17.6 |
| C56 | 4030006860 | S.CER C1608 JB 1H 102K-T | T | 15.5/14.2 |
| C57 | 4030006880 | S.CER C1608 JB 1H 472K-T | T | 19.2/8.6 |
| C59 | 4510009250 | S.ELE EEEFK1C471P [EUR] | T | 81.3/72.6 |
| | 4510009250 | S.ELE EEEFK1C471P [FRA] | | |
| | 4510009250 | S.ELE EEEFK1C471P [ITR] | | |
| | 4510009250 | S.ELE EEEFK1C471P [ESP] | | |
| | 4510009250 | S.ELE EEEFK1C471P [EUR-01] | | |
| C60 | 4030004740 | S.CER C2012 JB 1H 472K-T [EUR] | T | 75.9/75.3 |
| | 4030004740 | S.CER C2012 JB 1H 472K-T [FRA] | | |
| | 4030004740 | S.CER C2012 JB 1H 472K-T [ITR] | | |
| | 4030004740 | S.CER C2012 JB 1H 472K-T [ESP] | | |
| | 4030004740 | S.CER C2012 JB 1H 472K-T [EUR-01] | | |
| C61 | 4030004740 | S.CER C2012 JB 1H 472K-T [EUR] | T | 75.9/69.9 |
| | 4030004740 | S.CER C2012 JB 1H 472K-T [FRA] | | |
| | 4030004740 | S.CER C2012 JB 1H 472K-T [ITR] | | |
| | 4030004740 | S.CER C2012 JB 1H 472K-T [ESP] | | |
| | 4030004740 | S.CER C2012 JB 1H 472K-T [EUR-01] | | |
| C62 | 4030018980 | S.CER C1608 JB 1H 104K-T [EUR] | T | 42.8/72.6 |
| | 4030018980 | S.CER C1608 JB 1H 104K-T [FRA] | | |
| | 4030018980 | S.CER C1608 JB 1H 104K-T [ITR] | | |
| | 4030018980 | S.CER C1608 JB 1H 104K-T [ESP] | | |
| | 4030018980 | S.CER C1608 JB 1H 104K-T [EUR-01] | | |
| C63 | 4560000210 | CER RDER71H684K2K1C03B [EUR] | | |
| | 4560000210 | CER RDER71H684K2K1C03B [FRA] | | |
| | 4560000210 | CER RDER71H684K2K1C03B [ITR] | | |
| | 4560000210 | CER RDER71H684K2K1C03B [ESP] | | |
| | 4560000210 | CER RDER71H684K2K1C03B [EUR-01] | | |
| C66 | 4030018750 | S.CER C3225 CH 2J 682K-T | T | 95.7/43.9 |
| C67 | 4030018750 | S.CER C3225 CH 2J 682K-T | T | 95.7/23.2 |
| C71 | 4030011550 | S.CER GRM31M2C2H680JV01L (GRM42-6) | T | 59.5/33.5 |
| C72 | 4030014460 | S.CER GRM31M2C2H820JV01L (GRM42-6) | T | 57.4/33.5 |
| C73 | 4030018750 | S.CER C3225 CH 2J 682K-T | T | 103.0/18.0 |
| C74 | 4030018750 | S.CER C3225 CH 2J 682K-T | T | 103.0/49.1 |
| C77 | 4030006880 | S.CER C1608 JB 1H 472K-T | T | 22.0/76.3 |
| C78 | 4030006860 | S.CER C1608 JB 1H 102K-T | T | 16.2/75.8 |
| C79 | 4030006880 | S.CER C1608 JB 1H 472K-T | T | 9.8/85.8 |
| C80 | 4030006880 | S.CER C1608 JB 1H 472K-T | T | 8.6/83.2 |
| C81 | 4030018530 | S.CER C3216 CH 1H 103J-T | T | 41.0/37.8 |
| C82 | 4030018530 | S.CER C3216 CH 1H 103J-T | T | 41.0/11.4 |
| C83 | 4030008920 | S.CER C1608 JB 1H 473K-T | T | 37.5/7.9 |
| C84 | 4030008920 | S.CER C1608 JB 1H 473K-T | T | 38.4/37.2 |
| C85 | 4030008920 | S.CER C1608 JB 1H 473K-T | T | 83.3/11.9 |
| C86 | 4030008920 | S.CER C1608 JB 1H 473K-T | T | 83.2/55.1 |
| C87 | 4030011600 | S.CER C1608 JB 1E 104K-T | T | 22.1/58.7 |
| C88 | 4030011600 | S.CER C1608 JB 1E 104K-T | T | 17.2/64.4 |
| C89 | 4030011600 | S.CER C1608 JB 1E 104K-T | T | 17.2/68.1 |
| C90 | 4030011600 | S.CER C1608 JB 1E 104K-T | T | 16.2/71.8 |
| C91 | 4030011600 | S.CER C1608 JB 1E 104K-T | T | 19.8/75.8 |
| C92 | 4030011600 | S.CER C1608 JB 1E 104K-T | T | 17.4/75.8 |
| C93 | 4030011600 | S.CER C1608 JB 1E 104K-T | T | 29.1/79.2 |

Eqv.= This component is equivalent to the REF No. component listed above, and may be substituted on parts orders and repairs.

[PA UNIT]

| REF NO. | PARTS NO. | DESCRIPTION | M. | H/V LOCATION |
|---------|------------|------------------------------------|----|--------------|
| C94 | 4030011600 | S.CER C1608 JB 1E 104K-T | T | 16.9/20.9 |
| C97 | 4030006880 | S.CER C1608 JB 1H 472K-T | T | 18.6/75.8 |
| C100 | 4030011600 | S.CER C1608 JB 1E 104K-T | T | 82.1/11.9 |
| C101 | 4030011600 | S.CER C1608 JB 1E 104K-T | T | 82.0/55.1 |
| C102 | 4030018960 | S.CER C3216 JB 1C 106MT-FN | T | 8.3/43.0 |
| C103 | 4030018960 | S.CER C3216 JB 1C 106MT-FN | T | 8.3/38.0 |
| C104 | 4030011600 | S.CER C1608 JB 1E 104K-T | T | 10.0/42.7 |
| C105 | 4030011600 | S.CER C1608 JB 1E 104K-T | T | 10.0/38.3 |
| C106 | 4030011730 | S.CER GRM31M2C2H101JV01L (GRM42-6) | T | 85.0/42.6 |
| C107 | 4030011730 | S.CER GRM31M2C2H101JV01L (GRM42-6) | T | 85.0/24.4 |
| C111 | 4030011550 | S.CER GRM31M2C2H680JV01L (GRM42-6) | T | 134.8/58.0 |
| C112 | 4030011550 | S.CER GRM31M2C2H680JV01L (GRM42-6) | T | 134.8/9.1 |
| C113 | 4030011740 | S.CER GRM32N2C2H201JV01L (GRM42-2) | T | 144.2/33.5 |
| C114 | 4030011740 | S.CER GRM32N2C2H201JV01L (GRM42-2) | T | 141.0/33.5 |
| C115 | 4030011740 | S.CER GRM32N2C2H201JV01L (GRM42-2) | T | 137.8/33.5 |
| C116 | 4030011740 | S.CER GRM32N2C2H201JV01L (GRM42-2) | T | 134.6/33.5 |
| C121 | 4030011600 | S.CER C1608 JB 1E 104K-T | T | 9.2/20.8 |
| C122 | 4510009250 | S.ELE EEEFK1C471P | T | 156.0/73.2 |
| C123 | 4510009250 | S.ELE EEEFK1C471P | T | 171.8/73.2 |
| C124 | 4510009250 | S.ELE EEEFK1C471P | T | 120.0/81.6 |
| C125 | 4030011600 | S.CER C1608 JB 1E 104K-T | T | 24.4/76.3 |
| C130 | 4030011600 | S.CER C1608 JB 1E 104K-T | T | 22.1/56.1 |
| C131 | 4030006880 | S.CER C1608 JB 1H 472K-T | T | 36.3/78.3 |
| C132 | 4030011600 | S.CER C1608 JB 1E 104K-T | T | 146.3/80.9 |
| C133 | 4030018960 | S.CER C3216 JB 1C 106MT-FN | T | 148.0/80.1 |
| C134 | 4030006880 | S.CER C1608 JB 1H 472K-T | T | 140.2/85.2 |
| RL1 | 6330001920 | REL ALDP112W | | |
| Eqv. | 6330001960 | REL ETR-GCJ-SH-112DMZ <SLVJ> | | |
| J4 | 6510024151 | S.CON 50FY-BMT-TB(LF)(SN) | T | 25.3/83.9 |
| J8 | 6510028210 | CON SJ050010 (TMP-J01X-V6) | | |
| J9 | 6510028210 | CON SJ050010 (TMP-J01X-V6) | | |
| J131 | 6510014961 | S.CON B2B-ZR-SM4-TF(LF)(SN) | T | 151.1/82.8 |
| J132 | 6510014961 | S.CON B2B-ZR-SM4-TF(LF)(SN) | T | 157.2/82.8 |
| F1 | 5220000400 | HOL FHA010-01F | | |
| F2 | 5210000940 | FUS 1205 | | |
| W40 | 8900018211 | CAB OPC-1942A [USA] | | |
| | 8900018220 | CAB OPC-1943 [EUR] | | |
| | 8900018220 | CAB OPC-1943 [FRA] | | |
| | 8900018220 | CAB OPC-1943 [ITR] | | |
| | 8900018220 | CAB OPC-1943 [ESP] | | |
| | 8900018220 | CAB OPC-1943 [EUR-01] | | |
| | 8900017860 | CAB OPC-1857 [KOR] | | |
| | 8900017860 | CAB OPC-1857 [CHN] | | |
| | 8900017860 | CAB OPC-1857 [EXP] | | |
| EP1 | 6910019200 | S.BEA N2012ZPS121T50 | T | 71.5/19.5 |
| EP2 | 6910019200 | S.BEA N2012ZPS121T50 | T | 71.5/16.2 |
| EP6 | 6910012350 | S.BEA MMZ1608Y 102BT | T | 19.0/21.6 |
| EP8 | 6910019200 | S.BEA N2012ZPS121T50 | T | 70.8/12.4 |
| EP11 | 6910012350 | S.BEA MMZ1608Y 102BT | T | 24.4/80.0 |
| EP12 | 6910019200 | S.BEA N2012ZPS121T50 | T | 26.3/79.4 |
| EP21 | 6910012350 | S.BEA MMZ1608Y 102BT | T | 9.8/83.2 |
| EP26 | 6910018930 | S.BEA MPZ2012S601A | T | 22.0/8.9 |
| EP27 | 6910018930 | S.BEA MPZ2012S601A | T | 28.5/7.5 |

M.=Mounted side (T: Mounted on the Top side, B: Mounted on the Bottom side) S.=Surface mount

[FILTER UNIT]

| REF NO. | PARTS NO. | DESCRIPTION | M. | H/V LOCATION |
|---------|------------|------------------------------------|----|--------------|
| Q149 | 1590001960 | S.TRA XP4311(TX) | T | 87.6/70.7 |
| Q150 | 1590001960 | S.TRA XP4311(TX) | T | 78.2/83.6 |
| Q151 | 1590001960 | S.TRA XP4311(TX) | T | 83.3/83.7 |
| Q152 | 1590001960 | S.TRA XP4311(TX) | T | 85.8/35.0 |
| Q153 | 1590001960 | S.TRA XP4311(TX) | T | 85.8/23.8 |
| Q154 | 1590001960 | S.TRA XP4311(TX) | T | 85.8/59.4 |
| Q158 | 1590001960 | S.TRA XP4311(TX) | T | 86.0/48.8 |
| | | | | |
| D21 | 1790001251 | S.DIO MA2S1110GL | T | 86.1/52.0 |
| D41 | 1790001251 | S.DIO MA2S1110GL | T | 86.1/16.0 |
| D61 | 1790001251 | S.DIO MA2S1110GL | T | 86.1/26.5 |
| D81 | 1790001251 | S.DIO MA2S1110GL | T | 86.1/77.4 |
| D101 | 1790001251 | S.DIO MA2S1110GL | T | 72.3/83.6 |
| D121 | 1790001251 | S.DIO MA2S1110GL | T | 86.5/61.7 |
| D147 | 1790001251 | S.DIO MA2S1110GL | T | 86.1/40.1 |
| | | | | |
| L21 | 6140001990 | COI LR-226 (T68-2) | | |
| L22 | 6140002000 | COI LR-227 (T68-2) | | |
| L23 | 6200005051 | S.COI NLV25T-330J | T | 86.7/55.0 |
| L24 | 6200005051 | S.COI NLV25T-330J | T | 10.3/63.9 |
| L41 | 6140001240 | COI LR-149 (T68-2) | | |
| L42 | 6140001130 | COI LR-138 (T68-2) | | |
| L43 | 6200005051 | S.COI NLV25T-330J | T | 86.7/19.0 |
| L44 | 6200005051 | S.COI NLV25T-330J | T | 2.4/17.6 |
| L61 | 6140001800 | COI LR-216 (T50-2) | | |
| L62 | 6140001800 | COI LR-216 (T50-2) | | |
| L63 | 6200005051 | S.COI NLV25T-330J | T | 86.7/29.5 |
| L64 | 6140001800 | COI LR-216 (T50-2) | | |
| L65 | 6200005051 | S.COI NLV25T-330J | T | 4.6/31.8 |
| L81 | 6140004770 | COI LR-537 | | |
| L82 | 6140004750 | COI LR-535 | | |
| L83 | 6200005051 | S.COI NLV25T-330J | T | 86.7/80.4 |
| L84 | 6140001810 | COI LR-217 (T50-10) | | |
| L85 | 6200005051 | S.COI NLV25T-330J | T | 3.1/79.5 |
| L101 | 6110002910 | COI LA-480 | | |
| L102 | 6110002920 | COI LA-481 | | |
| L103 | 6200005011 | S.COI NLV25T-100J | T | 73.6/86.2 |
| L104 | 6200005011 | S.COI NLV25T-100J | T | 9.2/81.3 |
| L121 | 6110002900 | COI LA-479 | | |
| L122 | 6110002890 | COI LA-478 | | |
| L123 | 6200005011 | S.COI NLV25T-100J | T | 86.7/65.2 |
| L124 | 6200005011 | S.COI NLV25T-100J | T | 11.9/68.2 |
| L141 | 6110003540 | COI LA-548 (LA-215A) | | |
| L142 | 6110003570 | COI LA-550 | | |
| L143 | 6110003550 | COI LA-547 (LA-214A) | | |
| L144 | 6200002861 | S.COI NLV25T-4R7J | T | 86.7/43.1 |
| L145 | 6200002861 | S.COI NLV25T-4R7J | T | 4.8/49.8 |
| | | | | |
| R21 | 7030003340 | S.RES ERJ3GEYJ 151 V (150) | T | 85.9/57.5 |
| R41 | 7030003340 | S.RES ERJ3GEYJ 151 V (150) | T | 85.9/21.9 |
| R61 | 7030003340 | S.RES ERJ3GEYJ 151 V (150) | T | 85.9/33.1 |
| R81 | 7030003340 | S.RES ERJ3GEYJ 151 V (150) | T | 85.8/82.8 |
| R101 | 7030003340 | S.RES ERJ3GEYJ 151 V (150) | T | 76.0/83.7 |
| R121 | 7030003340 | S.RES ERJ3GEYJ 151 V (150) | T | 86.7/68.2 |
| R141 | 7030003340 | S.RES ERJ3GEYJ 151 V (150) | T | 84.7/46.4 |
| | | | | |
| C21 | 4030008920 | S.CER C1608 JB 1H 473K-T | T | 7.0/63.4 |
| C22 | 4030008920 | S.CER C1608 JB 1H 473K-T | T | 87.3/52.0 |
| C23 | 4010007510 | CER HM17SJ SL 821J 500V | | |
| C24 | 4320001050 | S.MIC UC342H 3900J-T | T | 30.1/49.0 |
| C26 | 4010007510 | CER HM17SJ SL 821J 500V | | |
| C27 | 4030012480 | S.CER GRM31M2C2H121JV01L (GRM42-6) | T | 60.6/59.1 |
| C28 | 4010007510 | CER HM17SJ SL 821J 500V | | |
| C29 | 4010007590 | CER HM15SJ SL 681J 500V | | |
| C30 | 4010007510 | CER HM17SJ SL 821J 500V | | |
| C31 | 4010007510 | CER HM17SJ SL 821J 500V | | |
| C32 | 4010007590 | CER HM15SJ SL 681J 500V | | |
| C33 | 4030006880 | S.CER C1608 JB 1H 472K-T | T | 88.6/55.3 |
| C34 | 4010005930 | CER HM11SJ SL 391J 500V | | |
| C35 | 4030012480 | S.CER GRM31M2C2H121JV01L (GRM42-6) | T | 41.4/47.8 |
| C36 | 4010007510 | CER HM17SJ SL 821J 500V | | |
| C37 | 4030011730 | S.CER GRM31M2C2H101JV01L (GRM42-6) | T | 27.2/50.0 |
| C38 | 4030011550 | S.CER GRM31M2C2H680JV01L (GRM42-6) | T | 25.1/50.0 |
| C41 | 4030008920 | S.CER C1608 JB 1H 473K-T | T | 4.6/17.3 |
| C42 | 4030008920 | S.CER C1608 JB 1H 473K-T | T | 87.3/16.0 |
| C44 | 4010005360 | CER HM11SJ SL 301J 500V | | |
| C45 | 4010005360 | CER HM11SJ SL 301J 500V | | |
| C46 | 4010005930 | CER HM11SJ SL 391J 500V | | |
| C47 | 4010005370 | CER HM11SJ SL 331J 500V | | |
| C48 | 4030011730 | S.CER GRM31M2C2H101JV01L (GRM42-6) | T | 57.8/8.1 |
| C49 | 4010005850 | CER HM95SJ SL 181J 500V | | |
| C50 | 4010005930 | CER HM11SJ SL 391J 500V | | |
| C51 | 4030011240 | S.CER GRM31M2C2H470JV01L (GRM42-6) | T | 71.3/6.8 |
| C52 | 4010005370 | CER HM11SJ SL 331J 500V | | |
| C53 | 4010005370 | CER HM11SJ SL 331J 500V | | |
| C54 | 4030006880 | S.CER C1608 JB 1H 472K-T | T | 88.6/19.3 |
| C56 | 4030011180 | S.CER GRM31M2C2H220JV01L (GRM42-6) | T | 41.2/5.3 |

Eqv.= This component is equivalent to the REF No. component listed above, and may be substituted on parts orders and repairs.

[FILTER UNIT]

| REF NO. | PARTS NO. | DESCRIPTION | M. | H/V LOCATION |
|---------|------------|---------------------------------------|----|--------------|
| C61 | 4030008920 | S.CER C1608 JB 1H 473K-T | T | 2.5/29.8 |
| C62 | 4030008920 | S.CER C1608 JB 1H 473K-T | T | 87.3/26.5 |
| C63 | 4010005930 | CER HM11SJ SL 391J 500V | | |
| C65 | 4030011730 | S.CER GRM31M2C2H101JV01L (GRM42-6) | T | 15.8/21.1 |
| C66 | 4030011550 | S.CER GRM31M2C2H680JV01L (GRM42-6) | T | 17.9/21.1 |
| C67 | 4010007490 | CER HM15SJ SL 561J 500V | | |
| C68 | 4030012480 | S.CER GRM31M2C2H121JV01L (GRM42-6) | T | 33.0/23.2 |
| C69 | 4030012480 | S.CER GRM31M2C2H121JV01L (GRM42-6) | T | 35.1/20.5 |
| C70 | 4010007590 | CER HM15SJ SL 681J 500V | | |
| C71 | 4030011730 | S.CER GRM31M2C2H101JV01L (GRM42-6) | T | 56.1/23.9 |
| C72 | 4030006880 | S.CER C1608 JB 1H 472K-T | T | 88.6/29.8 |
| C74 | 4030011230 | S.CER GRM31M2C2H390JV01L (GRM42-6) | T | 56.8/18.7 |
| C76 | 4030011180 | S.CER GRM31M2C2H220JV01L (GRM42-6) | T | 71.0/23.3 |
| C77 | 4010005880 | CER HM95SJ SL 271J 500V | | |
| C81 | 4030008920 | S.CER C1608 JB 1H 473K-T | T | 3.7/76.5 |
| C82 | 4030008920 | S.CER C1608 JB 1H 473K-T | T | 87.3/77.4 |
| C83 | 4010005860 | CER HM95SJ SL 201J 500V | | |
| C84 | 4030011730 | S.CER GRM31M2C2H101JV01L (GRM42-6) | T | 30.2/78.3 |
| C85 | 4030014460 | S.CER GRM31M2C2H820JV01L (GRM42-6) | T | 50.8/74.7 |
| C86 | 4010005830 | CER HM74SJ SL 151J 500V | | |
| C88 | 4030014460 | S.CER GRM31M2C2H820JV01L (GRM42-6) | T | 72.1/73.6 |
| C89 | 4030006880 | S.CER C1608 JB 1H 472K-T | T | 88.6/80.7 |
| C90 | 4030011080 | S.CER GRM31M2C2H6R0DV01L (GRM42-6 CH) | T | 31.9/76.1 |
| C92 | 4030011230 | S.CER GRM31M2C2H390JV01L (GRM42-6) | T | 50.8/79.6 |
| C101 | 4030006880 | S.CER C1608 JB 1H 472K-T | T | 10.2/83.7 |
| C102 | 4030006880 | S.CER C1608 JB 1H 472K-T | T | 73.5/83.6 |
| C103 | 4030011730 | S.CER GRM31M2C2H101JV01L (GRM42-6) | T | 26.1/91.3 |
| C104 | 4030011510 | S.CER GRM31M2C2H560JV01L (GRM42-6) | T | 31.8/91.3 |
| C105 | 4030012480 | S.CER GRM31M2C2H121JV01L (GRM42-6) | T | 50.7/88.2 |
| C106 | 4030011170 | S.CER GRM31M2C2H180JV01L (GRM42-6) | T | 50.7/93.1 |
| C107 | 4030011730 | S.CER GRM31M2C2H101JV01L (GRM42-6) | T | 64.3/87.9 |
| C108 | 4030006880 | S.CER C1608 JB 1H 472K-T | T | 76.6/85.7 |
| C109 | 4030012480 | S.CER GRM31M2C2H121JV01L (GRM42-6) | T | 48.4/88.2 |
| C110 | 4030011170 | S.CER GRM31M2C2H180JV01L (GRM42-6) | T | 24.0/91.3 |
| C111 | 4030011140 | S.CER GRM31M2C2H120JV01L (GRM42-6) | T | 29.7/88.2 |
| C121 | 4030006880 | S.CER C1608 JB 1H 472K-T | T | 11.8/65.8 |
| C122 | 4030006880 | S.CER C1608 JB 1H 472K-T | T | 86.4/62.9 |
| C123 | 4030011100 | S.CER GRM31M2C2H8R0DV01L (GRM42-6 CH) | T | 67.5/62.2 |
| C124 | 4030011140 | S.CER GRM31M2C2H120JV01L (GRM42-6) | T | 45.1/72.2 |
| C126 | 4030011210 | S.CER GRM31M2C2H330JV01L (GRM42-6) | T | 67.5/68.1 |
| C127 | 4030011550 | S.CER GRM31M2C2H680JV01L (GRM42-6) | T | 69.8/64.4 |
| C128 | 4030011180 | S.CER GRM31M2C2H220JV01L (GRM42-6) | T | 33.9/66.2 |
| C129 | 4030006880 | S.CER C1608 JB 1H 472K-T | T | 88.6/65.5 |
| C130 | 4030011510 | S.CER GRM31M2C2H560JV01L (GRM42-6) | T | 31.8/66.2 |
| C132 | 4030011730 | S.CER GRM31M2C2H101JV01L (GRM42-6) | T | 50.2/68.7 |
| C133 | 4030011730 | S.CER GRM31M2C2H101JV01L (GRM42-6) | T | 52.3/68.7 |
| C143 | 4030011240 | S.CER GRM31M2C2H470JV01L (GRM42-6) | T | 28.7/30.1 |
| C145 | 4030011080 | S.CER GRM31M2C2H6R0DV01L (GRM42-6 CH) | T | 25.3/31.7 |
| C146 | 4030011230 | S.CER GRM31M2C2H390JV01L (GRM42-6) | T | 30.8/30.1 |
| C147 | 4030011180 | S.CER GRM31M2C2H220JV01L (GRM42-6) | T | 37.4/38.2 |
| C148 | 4030011510 | S.CER GRM31M2C2H560JV01L (GRM42-6) | T | 56.1/28.8 |
| C149 | 4030011140 | S.CER GRM31M2C2H120JV01L (GRM42-6) | T | 66.4/35.5 |
| C150 | 4030011210 | S.CER GRM31M2C2H330JV01L (GRM42-6) | T | 54.0/28.8 |
| C151 | 4030011180 | S.CER GRM31M2C2H220JV01L (GRM42-6) | T | 71.9/35.5 |
| C152 | 4030011080 | S.CER GRM31M2C2H6R0DV01L (GRM42-6 CH) | T | 74.0/35.5 |
| C153 | 4030011160 | S.CER GRM31M2C2H150JV01L (GRM42-6) | T | 18.0/34.9 |
| C154 | 4030011060 | S.CER GRM31M2C2H4R0CY21L (GRM42-6 CH) | T | 68.5/35.5 |
| C156 | 4030006880 | S.CER C1608 JB 1H 472K-T | T | 87.3/40.1 |
| C157 | 4030006880 | S.CER C1608 JB 1H 472K-T | T | 4.0/47.4 |

M.=Mounted side (T: Mounted on the Top side, B: Mounted on the Bottom side) S.=Surface mount

[FILTER UNIT]

| REF NO. | PARTS NO. | DESCRIPTION | M. | H/V LOCATION |
|---------|------------|----------------------------|----|--------------|
| C158 | 4030006880 | S.CER C1608 JB 1H 472K-T | T | 86.5/45.6 |
| C159 | 4030006860 | S.CER C1608 JB 1H 102K-T | T | 79.0/94.4 |
| C160 | 4030006860 | S.CER C1608 JB 1H 102K-T | T | 82.6/94.4 |
| C161 | 4030006860 | S.CER C1608 JB 1H 102K-T | T | 81.4/94.4 |
| C162 | 4030006860 | S.CER C1608 JB 1H 102K-T | T | 76.6/94.4 |
| C163 | 4030006860 | S.CER C1608 JB 1H 102K-T | T | 75.3/94.4 |
| C164 | 4030006860 | S.CER C1608 JB 1H 102K-T | T | 77.8/94.4 |
| C165 | 4030006860 | S.CER C1608 JB 1H 102K-T | T | 80.2/94.4 |
| C166 | 4030006860 | S.CER C1608 JB 1H 102K-T | T | 86.5/86.7 |
| C167 | 4030006880 | S.CER C1608 JB 1H 472K-T | T | 4.0/52.2 |
| | | | | |
| RL21 | 6330002020 | REL FTR-B4CA009Z | | |
| RL22 | 6330002020 | REL FTR-B4CA009Z | | |
| RL41 | 6330002020 | REL FTR-B4CA009Z | | |
| RL42 | 6330002020 | REL FTR-B4CA009Z | | |
| RL61 | 6330002020 | REL FTR-B4CA009Z | | |
| RL62 | 6330002020 | REL FTR-B4CA009Z | | |
| RL81 | 6330002020 | REL FTR-B4CA009Z | | |
| RL82 | 6330002020 | REL FTR-B4CA009Z | | |
| RL101 | 6330002020 | REL FTR-B4CA009Z | | |
| RL102 | 6330002020 | REL FTR-B4CA009Z | | |
| RL121 | 6330002020 | REL FTR-B4CA009Z | | |
| RL122 | 6330002020 | REL FTR-B4CA009Z | | |
| RL141 | 6330002020 | REL FTR-B4CA009Z | | |
| RL142 | 6330002020 | REL FTR-B4CA009Z | | |
| | | | | |
| J9 | 6510028210 | CON SJ050010 (TMP-J01X-V6) | | |
| J10 | 6510028210 | CON SJ050010 (TMP-J01X-V6) | | |
| J11 | 6510019971 | S.CON 52808-1071 | T | 80.5/89.2 |

[LOGIC UNIT]

| REF NO. | PARTS NO. | DESCRIPTION | M. | H/V LOCATION |
|---------|------------|----------------------------------|----------|--------------|
| IC1 | 1140015270 | S.IC M30302MAP-293GP(SX-3015A-3) | B | 61.7/48.2 |
| IC2 | 1130015560 | S.IC S-24C64CI-T8T1U3 | B | 97.2/33.2 |
| IC3 | 1110006260 | S.IC BD5242G-TR | B | 10.4/64.3 |
| IC5 | 1180000421 | S.IC TA78L05F(TE12RF) | B | 50.1/13.4 |
| IC6 | 1180001072 | S.IC TA7805F(TE16L1NQ) | B | 171.6/48.2 |
| IC7 | 1130013580 | S.IC LC75813T-E | B | 97.6/50.5 |
| IC100 | 1180002080 | S.REG BA09FP-E2 | B | 161.3/62.7 |
| IC101 | 1180001072 | S.IC TA7805F(TE16L1NQ) | B | 130.7/59.3 |
| IC103 | 1130005721 | S.IC TC7W04F(TE12LF) | T | 69.9/25.2 |
| IC1071 | 1110001811 | S.IC TA7368FG(5ER) | T | 130.0/6.0 |
| | | | | |
| Q1 | 1590000680 | S.TRA DTC114EUA T106 | B | 174.7/16.0 |
| Q51 | 1560001290 | S.FET 2SK3065 T100 | B | 71.2/5.8 |
| Q70 | 1540000441 | S.TRA 2SD1619T-TD-E | B | 151.7/41.7 |
| Q71 | 1590000680 | S.TRA DTC114EUA T106 | B | 158.8/43.9 |
| Q72 | 1590000680 | S.TRA DTC114EUA T106 | B | 158.8/41.4 |
| Q102 | 1590004390 | S.TRA DMG504010R | T | 71.1/19.6 |
| Q103 | 1590000680 | S.TRA DTC114EUA T106 | T | 41.7/32.1 |
| Q104 | 1590000680 | S.TRA DTC114EUA T106 | T | 36.7/26.0 |
| Q106 | 1590001330 | S.TRA DTA114EUA T106 | T | 33.7/35.1 |
| Q211 | 1530002060 | S.TRA 2SC4081 T106 R | B | 19.2/36.0 |
| Q212 | 1590001330 | S.TRA DTA114EUA T106 | T | 39.4/26.7 |
| | | | | |
| D1 | 1160000070 | S.DIO DAN202K T146 | B | 22.0/26.4 |
| D2 | 1790001251 | S.DIO MA2S1110GL | B | 50.3/34.4 |
| D30 | 1790001251 | S.DIO MA2S1110GL | T | 142.1/55.0 |
| D31 | 1160000070 | S.DIO DAN202K T146 | T | 160.2/55.2 |
| D32 | 1790001251 | S.DIO MA2S1110GL | T | 142.1/51.1 |
| D33 | 1160000070 | S.DIO DAN202K T146 | T | 160.2/46.2 |
| D34 | 1790001251 | S.DIO MA2S1110GL | T | 142.1/37.0 |
| D35 | 1160000070 | S.DIO DAN202K T146 | T | 160.2/37.2 |
| D36 | 1790001251 | S.DIO MA2S1110GL | T | 142.1/28.0 |
| D37 | 1160000070 | S.DIO DAN202K T146 | T | 160.2/28.2 |
| D38 | 1790001251 | S.DIO MA2S1110GL | T | 141.0/64.3 |
| D39 | 1160000070 | S.DIO DAN202K T146 | T | 154.5/64.4 |
| D40 | 1790001251 | S.DIO MA2S1110GL | T | 142.1/17.3 |
| D41 | 1790001251 | S.DIO MA2S1110GL | T | 143.4/17.3 |
| D42 | 1160000070 | S.DIO DAN202K T146 | T | 79.2/23.2 |
| D43 | 1790001251 | S.DIO MA2S1110GL | T | 82.7/13.4 |
| D44 | 1790001251 | S.DIO MA2S1110GL | T | 76.2/22.8 |
| D45 | 1790001251 | S.DIO MA2S1110GL | B | 45.8/29.3 |
| D46 | 1730002531 | S.ZEN NNCD6.2G-T1-A | B | 139.4/21.0 |
| D47 | 1790001251 | S.DIO MA2S1110GL | B | 31.9/33.9 |
| D48 | 1790001251 | S.DIO MA2S1110GL | B | 123.6/33.2 |
| | | | [EUR] | |
| | | | [ITR] | |
| | | | [ESP] | |
| | | | [EUR-01] | |
| D49 | 1790001251 | S.DIO MA2S1110GL | B | 123.6/31.9 |
| | | | [USA] | |
| | | | [EUR] | |
| | | | [ITR] | |
| | | | [ESP] | |
| | | | [EUR-01] | |
| | | | [KOR] | |
| | | | [CHN] | |
| | | | [EXP] | |
| D50 | 1790001251 | S.DIO MA2S1110GL | B | 123.6/30.6 |
| | | | [USA] | |
| | | | [EUR] | |
| | | | [EUR-01] | |
| | | | [CHN] | |
| | | | [EXP] | |
| D51 | 1790001251 | S.DIO MA2S1110GL | B | 123.6/29.3 |
| | | | [FRA] | |
| | | | [ESP] | |
| | | | [EUR-01] | |
| | | | [KOR] | |
| D52 | 1790001251 | S.DIO MA2S1110GL | B | 123.6/28.0 |
| | | | [EUR] | |
| | | | [ESP] | |
| | | | [EUR-01] | |
| D53 | 1790001251 | S.DIO MA2S1110GL | B | 123.6/26.7 |
| | | | [USA] | |
| | | | [EUR] | |
| | | | [ESP] | |
| | | | [EUR-01] | |
| | | | [KOR] | |
| | | | [CHN] | |
| | | | [EXP] | |
| D54 | 1790001251 | S.DIO MA2S1110GL | B | 123.6/25.4 |
| | | | [USA] | |
| | | | [EUR] | |
| | | | [EUR-01] | |
| | | | [CHN] | |
| | | | [EXP] | |
| D55 | 1790001251 | S.DIO MA2S1110GL | B | 123.6/24.1 |
| | | | [FRA] | |
| | | | [ESP] | |
| | | | [EUR-01] | |
| | | | [KOR] | |
| D56 | 1160000070 | S.DIO DAN202K T146 | B | 22.0/32.4 |
| D57 | 1790001251 | S.DIO MA2S1110GL | B | 119.3/31.8 |
| | | | [USA] | |
| | | | [EUR] | |
| | | | [FRA] | |
| | | | [EUR-01] | |
| | | | [KOR] | |
| | | | [CHN] | |
| | | | [EXP] | |
| D58 | 1790001251 | S.DIO MA2S1110GL | B | 119.3/30.6 |

Eqv.= This component is equivalent to the REF No. component listed above, and may be substituted on parts orders and repairs.

M.=Mounted side (T: Mounted on the Top side, B: Mounted on the Bottom side) S.=Surface mount

[LOGIC UNIT]

| REF NO. | PARTS NO. | DESCRIPTION | M. | H/V LOCATION | | | |
|---------|------------|--|----|--------------|------------------|---|------------|
| D59 | 1790001251 | S.DIO MA2S1110GL [EUR] | B | 119.3/29.3 | | | |
| | 1790001251 | S.DIO MA2S1110GL [FRA] | | | | | |
| | 1790001251 | S.DIO MA2S1110GL [ITR] | | | | | |
| | 1790001251 | S.DIO MA2S1110GL [ESP] | | | | | |
| | 1790001251 | S.DIO MA2S1110GL [EUR-01] | | | | | |
| | 1790001251 | S.DIO MA2S1110GL [KOR] | | | | | |
| | 1790001251 | S.DIO MA2S1110GL [CHN] | | | | | |
| | 1790001251 | S.DIO MA2S1110GL [EXP] | | | | | |
| | D61 | 1790001251 | | | S.DIO MA2S1110GL | B | 119.3/26.7 |
| | D62 | 1790001251 | | | S.DIO MA2S1110GL | B | 119.3/25.4 |
| D63 | 1790001251 | S.DIO MA2S1110GL [USA] | B | 119.3/24.1 | | | |
| | 1790001251 | S.DIO MA2S1110GL [EUR] | | | | | |
| | 1790001251 | S.DIO MA2S1110GL [ITR] | | | | | |
| | 1790001251 | S.DIO MA2S1110GL [ESP] | | | | | |
| | 1790001251 | S.DIO MA2S1110GL [EUR-01] | | | | | |
| | 1790001251 | S.DIO MA2S1110GL [KOR] | | | | | |
| | 1790001251 | S.DIO MA2S1110GL [CHN] | | | | | |
| | 1790001251 | S.DIO MA2S1110GL [EXP] | | | | | |
| | D64 | 1790001251 | | | S.DIO MA2S1110GL | B | 116.7/24.1 |
| | D80 | 1730002321 | | | S.ZEN MAZ8051GML | B | 159.3/38.6 |
| D81 | 1790001251 | S.DIO MA2S1110GL | B | 157.7/39.0 | | | |
| D102 | 1790001251 | S.DIO MA2S1110GL | T | 73.0/18.2 | | | |
| D104 | 1750000370 | S.DIO DA221 TL | T | 33.5/27.3 | | | |
| D120 | 1750000370 | S.DIO DA221 TL | T | 35.9/43.9 | | | |
| D121 | 1750000370 | S.DIO DA221 TL | T | 35.9/45.9 | | | |
| D122 | 1750000370 | S.DIO DA221 TL | T | 35.4/38.6 | | | |
| D123 | 1750000370 | S.DIO DA221 TL | T | 35.9/41.9 | | | |
| D124 | 1750000370 | S.DIO DA221 TL | T | 35.6/29.5 | | | |
| D125 | 1750000370 | S.DIO DA221 TL | T | 38.5/34.7 | | | |
| D126 | 1750000370 | S.DIO DA221 TL | B | 30.3/31.5 | | | |
| D180 | 1750000370 | S.DIO DA221 TL | T | 37.9/30.0 | | | |
| D194 | 1750000370 | S.DIO DA221 TL | B | 27.3/32.7 | | | |
| D211 | 1790001251 | S.DIO MA2S1110GL | B | 21.7/38.6 | | | |
| X1 | 6050010501 | S.XTA CR-636A SMD-49 14.7456 MHz <KDS> | B | 64.6/62.4 | | | |
| L1 | 6200003261 | S.COI NLV32T-101J | B | 46.0/33.1 | | | |
| L2 | 6200003261 | S.COI NLV32T-101J | T | 66.4/13.0 | | | |
| L3 | 6200002041 | S.COI NLV25T-101J | T | 72.8/13.0 | | | |
| L40 | 6200003261 | S.COI NLV32T-101J | B | 136.9/17.4 | | | |
| L41 | 6200002041 | S.COI NLV25T-101J | B | 56.3/5.7 | | | |
| L42 | 6200002041 | S.COI NLV25T-101J | B | 56.3/3.2 | | | |
| L70 | 6200003261 | S.COI NLV32T-101J | T | 30.2/35.7 | | | |
| L100 | 6200003261 | S.COI NLV32T-101J | B | 67.8/29.5 | | | |
| L105 | 6200003261 | S.COI NLV32T-101J | B | 160.8/27.6 | | | |
| L1073 | 6200003261 | S.COI NLV32T-101J | B | 123.8/36.5 | | | |
| R1 | 7030003860 | S.RES ERJ3GE JPW V | B | 87.0/49.0 | | | |
| R2 | 7030003630 | S.RES ERJ3GEYJ 393 V (39K) | B | 87.0/51.6 | | | |
| R3 | 7030003630 | S.RES ERJ3GEYJ 393 V (39K) | B | 87.0/54.2 | | | |
| R4 | 7030003630 | S.RES ERJ3GEYJ 393 V (39K) | B | 85.1/54.7 | | | |
| R5 | 7030005671 | S.RES ERA3YKD 393V (39K) | B | 85.3/58.8 | | | |
| R6 | 7030003680 | S.RES ERJ3GEYJ 104 V (100K) | B | 85.3/60.1 | | | |
| R7 | 7030003440 | S.RES ERJ3GEYJ 102 V (1K) | B | 170.5/16.2 | | | |
| R18 | 7030006220 | S.RES ERJ12YJ470U (47) | B | 45.7/13.6 | | | |
| R19 | 7030010250 | S.RES ERJ1TYJ 0R00U | B | 159.8/49.9 | | | |
| R20 | 7030003640 | S.RES ERJ3GEYJ 473 V (47K) | B | 17.9/64.0 | | | |
| R21 | 7030003630 | S.RES ERJ3GEYJ 393 V (39K) | B | 14.0/63.6 | | | |
| R22 | 7030003560 | S.RES ERJ3GEYJ 103 V (10K) | B | 13.9/65.4 | | | |
| R24 | 7030003560 | S.RES ERJ3GEYJ 103 V (10K) | B | 96.5/29.4 | | | |
| R25 | 7030003600 | S.RES ERJ3GEYJ 223 V (22K) | B | 96.5/30.7 | | | |
| R31 | 7030003640 | S.RES ERJ3GEYJ 473 V (47K) | B | 50.2/33.1 | | | |
| R36 | 7030003640 | S.RES ERJ3GEYJ 473 V (47K) | T | 143.4/55.1 | | | |
| R37 | 7030003640 | S.RES ERJ3GEYJ 473 V (47K) | T | 143.4/51.1 | | | |
| R38 | 7030003640 | S.RES ERJ3GEYJ 473 V (47K) | T | 143.4/37.1 | | | |
| R39 | 7030003640 | S.RES ERJ3GEYJ 473 V (47K) | T | 143.4/28.1 | | | |
| R40 | 7030003640 | S.RES ERJ3GEYJ 473 V (47K) | T | 142.3/64.3 | | | |
| R41 | 7030003640 | S.RES ERJ3GEYJ 473 V (47K) | T | 144.7/17.4 | | | |
| R42 | 7030003640 | S.RES ERJ3GEYJ 473 V (47K) | T | 81.2/21.5 | | | |
| R43 | 7030003640 | S.RES ERJ3GEYJ 473 V (47K) | T | 76.3/21.5 | | | |
| R49 | 7030003720 | S.RES ERJ3GEYJ 224 V (220K) | B | 139.9/18.6 | | | |
| R51 | 7030003440 | S.RES ERJ3GEYJ 102 V (1K) | B | 21.8/34.8 | | | |
| R52 | 7030003480 | S.RES ERJ3GEYJ 222 V (2.2K) | B | 21.8/30.1 | | | |
| R53 | 7030003480 | S.RES ERJ3GEYJ 222 V (2.2K) | B | 19.1/30.1 | | | |
| R54 | 7030003720 | S.RES ERJ3GEYJ 224 V (220K) | B | 142.5/20.7 | | | |
| R55 | 7030003520 | S.RES ERJ3GEYJ 472 V (4.7K) | B | 19.1/31.4 | | | |
| R56 | 7030003440 | S.RES ERJ3GEYJ 102 V (1K) | B | 72.3/8.9 | | | |
| R57 | 7030003560 | S.RES ERJ3GEYJ 103 V (10K) | B | 74.6/6.5 | | | |
| R59 | 7030003560 | S.RES ERJ3GEYJ 103 V (10K) | T | 41.7/28.1 | | | |
| R60 | 7030003440 | S.RES ERJ3GEYJ 102 V (1K) | B | 152.8/26.9 | | | |
| R61 | 7030003440 | S.RES ERJ3GEYJ 102 V (1K) | B | 154.8/26.9 | | | |
| R62 | 7030003480 | S.RES ERJ3GEYJ 222 V (2.2K) | B | 29.3/33.1 | | | |
| R63 | 7030003480 | S.RES ERJ3GEYJ 222 V (2.2K) | B | 29.3/34.3 | | | |
| R64 | 7030003440 | S.RES ERJ3GEYJ 102 V (1K) | B | 156.8/26.9 | | | |
| R66 | 7030003440 | S.RES ERJ3GEYJ 102 V (1K) | B | 139.9/17.3 | | | |
| R67 | 7030003440 | S.RES ERJ3GEYJ 102 V (1K) | B | 142.5/22.0 | | | |
| R70 | 7030003380 | S.RES ERJ3GEYJ 331 V (330) | B | 155.9/40.9 | | | |
| R71 | 7030003370 | S.RES ERJ3GEYJ 271 V (270) | B | 155.9/44.8 | | | |
| R72 | 7030003430 | S.RES ERJ3GEYJ 821 V (820) | B | 155.9/43.5 | | | |
| R73 | 7030003530 | S.RES ERJ3GEYJ 562 V (5.6K) | B | 155.9/42.2 | | | |
| R74 | 7030003440 | S.RES ERJ3GEYJ 102 V (1K) | B | 155.9/46.1 | | | |
| R75 | 7030009800 | S.RES ERJ12YJ121U (120) | B | 142.9/44.0 | | | |
| R76 | 7030003440 | S.RES ERJ3GEYJ 102 V (1K) | T | 19.2/24.5 | | | |
| R77 | 7030003440 | S.RES ERJ3GEYJ 102 V (1K) | T | 18.4/26.7 | | | |

[LOGIC UNIT]

| REF NO. | PARTS NO. | DESCRIPTION | M. | H/V LOCATION |
|---------|------------|-----------------------------|----|--------------|
| R78 | 7030003440 | S.RES ERJ3GEYJ 102 V (1K) | T | 18.4/32.7 |
| R79 | 7030003440 | S.RES ERJ3GEYJ 102 V (1K) | T | 18.4/29.7 |
| R80 | 7030003420 | S.RES ERJ3GEYJ 681 V (680) | B | 156.4/39.0 |
| R81 | 7030009800 | S.RES ERJ12YJ121U (120) | B | 146.6/44.0 |
| R82 | 7030009800 | S.RES ERJ12YJ121U (120) | B | 139.1/44.0 |
| R100 | 7030003680 | S.RES ERJ3GEYJ 104 V (100K) | T | 70.4/29.6 |
| R101 | 7030003680 | S.RES ERJ3GEYJ 104 V (100K) | T | 71.7/29.6 |
| R102 | 7030003680 | S.RES ERJ3GEYJ 104 V (100K) | T | 67.9/20.8 |
| R103 | 7030003590 | S.RES ERJ3GEYJ 183 V (18K) | T | 69.2/20.8 |
| R104 | 7030003540 | S.RES ERJ3GEYJ 682 V (6.8K) | T | 67.9/18.2 |
| R105 | 7030003620 | S.RES ERJ3GEYJ 333 V (33K) | T | 71.0/17.4 |
| R106 | 7030003640 | S.RES ERJ3GEYJ 473 V (47K) | T | 71.1/21.6 |
| R107 | 7030003600 | S.RES ERJ3GEYJ 223 V (22K) | B | 7.6/32.7 |
| R108 | 7030003380 | S.RES ERJ3GEYJ 331 V (330) | T | 33.4/37.5 |
| R109 | 7030010500 | S.RES ERJ1TYJ 2R2U | B | 155.1/55.6 |
| R110 | 7030010250 | S.RES ERJ1TYJ 0R00U | B | 142.6/54.8 |
| R113 | 7030003860 | S.RES ERJ3GE JPW V | T | 73.2/21.9 |
| R114 | 7030003440 | S.RES ERJ3GEYJ 102 V (1K) | T | 33.9/25.6 |
| R115 | 7030003800 | S.RES ERJ3GEYJ 105 V (1M) | T | 31.4/26.4 |
| R126 | 7030003360 | S.RES ERJ3GEYJ 221 V (220) | T | 38.8/42.3 |
| R127 | 7030003360 | S.RES ERJ3GEYJ 221 V (220) | T | 38.8/40.9 |
| R151 | 7030003360 | S.RES ERJ3GEYJ 221 V (220) | T | 41.4/42.5 |
| R152 | 7030003360 | S.RES ERJ3GEYJ 221 V (220) | T | 41.4/41.2 |
| R153 | 7030003640 | S.RES ERJ3GEYJ 473 V (47K) | T | 30.0/58.9 |
| R154 | 7030003360 | S.RES ERJ3GEYJ 221 V (220) | B | 29.6/29.3 |
| R155 | 7030003360 | S.RES ERJ3GEYJ 221 V (220) | T | 41.4/43.8 |
| R156 | 7030003360 | S.RES ERJ3GEYJ 221 V (220) | T | 41.4/45.1 |
| R157 | 7030003360 | S.RES ERJ3GEYJ 221 V (220) | T | 33.2/29.5 |
| R158 | 7030003360 | S.RES ERJ3GEYJ 221 V (220) | B | 31.0/29.3 |
| R159 | 7030003360 | S.RES ERJ3GEYJ 221 V (220) | B | 33.6/29.3 |
| R162 | 7030003640 | S.RES ERJ3GEYJ 473 V (47K) | T | 35.2/56.4 |
| R163 | 7030003440 | S.RES ERJ3GEYJ 102 V (1K) | B | 40.0/30.3 |
| R169 | 7030003360 | S.RES ERJ3GEYJ 221 V (220) | B | 32.3/29.3 |
| R171 | 7030003360 | S.RES ERJ3GEYJ 221 V (220) | B | 34.4/54.8 |
| R172 | 7030003360 | S.RES ERJ3GEYJ 221 V (220) | B | 36.9/50.7 |
| R173 | 7030006571 | S.RES ERA3YED 392V (3.9K) | T | 39.2/39.0 |
| R174 | 7030006101 | S.RES ERA3YED 183V (18K) | T | 37.5/32.9 |
| R175 | 7030003360 | S.RES ERJ3GEYJ 221 V (220) | T | 28.7/58.9 |
| R176 | 7030003360 | S.RES ERJ3GEYJ 221 V (220) | B | 35.6/50.3 |
| R177 | 7030003360 | S.RES ERJ3GEYJ 221 V (220) | B | 34.3/50.3 |
| R180 | 7030003640 | S.RES ERJ3GEYJ 473 V (47K) | T | 39.5/29.8 |
| R181 | 7030003640 | S.RES ERJ3GEYJ 473 V (47K) | T | 35.5/40.2 |
| R182 | 7030003640 | S.RES ERJ3GEYJ 473 V (47K) | T | 35.3/37.0 |
| R183 | 7030003440 | S.RES ERJ3GEYJ 102 V (1K) | T | 35.4/31.7 |
| R197 | 7030003480 | S.RES ERJ3GEYJ 222 V (2.2K) | B | 21.8/28.1 |
| R198 | 7030003480 | S.RES ERJ3GEYJ 222 V (2.2K) | B | 19.8/28.0 |
| R199 | 7030003520 | S.RES ERJ3GEYJ 472 V (4.7K) | B | 18.6/26.6 |
| R201 | 7030003440 | S.RES ERJ3GEYJ 102 V (1K) | B | 21.7/24.0 |
| R202 | 7030003440 | S.RES ERJ3GEYJ 102 V (1K) | B | 52.8/33.1 |
| R203 | 7030003440 | S.RES ERJ3GEYJ 102 V (1K) | B | 56.1/37.3 |
| R204 | 7030003440 | S.RES ERJ3GEYJ 102 V (1K) | B | 57.2/34.6 |
| R205 | 7030003440 | S.RES ERJ3GEYJ 102 V (1K) | B | 57.5/37.3 |
| R206 | 7030003440 | S.RES ERJ3GEYJ 102 V (1K) | B | 58.7/34.7 |
| R207 | 7030003440 | S.RES ERJ3GEYJ 102 V (1K) | B | 60.0/37.3 |
| R211 | 7030003640 | S.RES ERJ3GEYJ 473 V (47K) | B | 21.7/37.3 |
| R212 | 7030003360 | S.RES ERJ3GEYJ 221 V (220) | B | 33.0/50.3 |
| R213 | 7030003520 | S.RES ERJ3GEYJ 472 V (4.7K) | B | 23.6/36.8 |
| R214 | 7030003620 | S.RES ERJ3GEYJ 333 V (33K) | B | 21.7/36.0 |
| R215 | 7030003580 | S.RES ERJ3GEYJ 153 V (15K) | B | 19.1/34.0 |
| R216 | 7030003440 | S.RES ERJ3GEYJ 102 V (1K) | T | 76.2/24.1 |
| R217 | 7030003440 | S.RES ERJ3GEYJ 102 V (1K) | T | 83.0/23.4 |
| R218 | 7030003440 | S.RES ERJ3GEYJ 102 V (1K) | T | 83.0/24.7 |
| R219 | 7030003440 | S.RES ERJ3GEYJ 102 V (1K) | T | 83.0/26.0 |
| R220 | 7030003440 | S.RES ERJ3GEYJ 102 V (1K) | T | 83.0/27.3 |
| R221 | 7030003440 | S.RES ERJ3GEYJ 102 V (1K) | T | 83.0/28.6 |
| R227 | 7030003200 | S.RES ERJ3GEYJ 100 V (10) | B | 137.0/21.3 |
| R228 | 7030003360 | S.RES ERJ3GEYJ 221 V (220) | T | 39.8/55.6 |
| R229 | 7030003360 | S.RES ERJ3GEYJ 221 V (220) | T | 32.5/58.9 |
| R230 | 7030003360 | S.RES ERJ3GEYJ 221 V (220) | T | 33.8/58.9 |
| R231 | 7030003360 | S.RES ERJ3GEYJ 221 V (220) | T | 35.1/58.9 |
| R232 | 7030003360 | S.RES ERJ3GEYJ 221 V (220) | T | 36.4/58.9 |
| R233 | 7030003360 | S.RES ERJ3GEYJ 221 V (220) | T | 37.7/58.9 |
| R234 | 7030003360 | S.RES ERJ3GEYJ 221 V (220) | B | 42.7/55.4 |
| R235 | 7030003360 | S.RES ERJ3GEYJ 221 V (220) | T | 38.5/55.6 |
| R236 | 7030003360 | S.RES ERJ3GEYJ 221 V (220) | B | 40.1/55.4 |
| R237 | 7030003360 | S.RES ERJ3GEYJ 221 V (220) | B | 44.0/55.4 |
| R238 | 7030003360 | S.RES ERJ3GEYJ 221 V (220) | B | 38.8/55.4 |
| R239 | 7030003860 | S.RES ERJ3GE JPW V | T | 38.8/43.5 |
| R301 | 7030003640 | S.RES ERJ3GEYJ 473 V (47K) | B | 75.9/53.4 |
| R302 | 7030003640 | S.RES ERJ3GEYJ 473 V (47K) | B | 81.6/55.8 |
| R303 | 7030003640 | S.RES ERJ3GEYJ 473 V (47K) | B | 81.6/54.5 |
| R304 | 7030003640 | S.RES ERJ3GEYJ 473 V (47K) | B | 74.6/53.4 |
| R305 | 7030003560 | S.RES ERJ3GEYJ 103 V (10K) | B | 72.7/64.1 |
| R306 | 7030003680 | S.RES ERJ3GEYJ 104 V (100K) | B | 75.3/64.1 |
| R307 | 7030003640 | S.RES ERJ3GEYJ 473 V (47K) | B | 74.0/64.1 |
| R1071 | 7030003530 | S.RES ERJ3GEYJ 562 V (5.6K) | T | 129.7/13.8 |
| R1072 | 7030003410 | S.RES ERJ3GEYJ 561 V (560) | T | 129.6/12.6 |
| R1073 | 7030003860 | S.RES ERJ3GE JPW V | T | 132.4/12.0 |
| R1074 | 7030003860 | S.RES ERJ3GE JPW V | T | 127.9/11.3 |
| R1075 | 7030003360 | S.RES ERJ3GEYJ 221 V (220) | T | 41.0/55.6 |
| R1076 | 7030003360 | S.RES ERJ3GEYJ 221 V (220) | B | 41.4/55.4 |
| R1077 | 7030003360 | S.RES ERJ3GEYJ 221 V (220) | B | 37.5/55.1 |
| R1078 | 7030003360 | S.RES ERJ3GEYJ 221 V (220) | B | 36.2/55.1 |
| R1079 | 7030003640 | S.RES ERJ3GEYJ 473 V (47K) | T | 65.9/33.4 |
| R1080 | 7030003640 | S.RES ERJ3GEYJ 473 V (47K) | T | 66.2/32.1 |
| R1081 | 7030003360 | S.RES ERJ3GEYJ 221 V (220) | B | |

[LOGIC UNIT]

| REF NO. | PARTS NO. | DESCRIPTION | M. | H/V LOCATION |
|---------|------------|-----------------------------|----|--------------|
| R1084 | 7030003360 | S.RES ERJ3GEYJ 221 V (220) | B | 45.3/56.5 |
| R1085 | 7030003640 | S.RES ERJ3GEYJ 473 V (47K) | T | 39.6/58.8 |
| C1 | 4030007020 | S.CER C1608 CH 1H 120J-T | B | 61.1/59.1 |
| C2 | 4030007020 | S.CER C1608 CH 1H 120J-T | B | 66.3/59.1 |
| C4 | 4030006900 | S.CER C1608 JB 1H 103K-T | B | 99.1/30.7 |
| C8 | 4030011600 | S.CER C1608 JB 1E 104K-T | B | 12.7/63.6 |
| C9 | 4030008890 | S.CER C1608 JB 1H 273K-T | B | 10.8/62.0 |
| C11 | 4030011600 | S.CER C1608 JB 1E 104K-T | B | 49.0/7.9 |
| C12 | 4030018960 | S.CER C3216 JB 1C 106MT-N | B | 49.8/9.6 |
| C13 | 4030019490 | S.CER C2012 JB 1A 106K-T | B | 53.5/12.6 |
| C14 | 4030011600 | S.CER C1608 JB 1E 104K-T | B | 55.5/13.7 |
| C15 | 4030011600 | S.CER C1608 JB 1E 104K-T | B | 164.7/46.7 |
| C16 | 4030019490 | S.CER C2012 JB 1A 106K-T | B | 163.0/47.5 |
| C17 | 4030019490 | S.CER C2012 JB 1A 106K-T | B | 163.4/28.0 |
| C18 | 4030011600 | S.CER C1608 JB 1E 104K-T | B | 164.7/50.0 |
| C19 | 4030019490 | S.CER C2012 JB 1A 106K-T | B | 85.4/46.6 |
| C20 | 4030011600 | S.CER C1608 JB 1E 104K-T | B | 85.8/49.0 |
| C21 | 4030007090 | S.CER C1608 CH 1H 470J-T | B | 85.8/51.6 |
| C22 | 4030007090 | S.CER C1608 CH 1H 470J-T | B | 85.1/53.4 |
| C23 | 4030007090 | S.CER C1608 CH 1H 470J-T | B | 85.1/56.0 |
| C24 | 4030006860 | S.CER C1608 JB 1H 102K-T | B | 85.3/57.5 |
| C25 | 4030011600 | S.CER C1608 JB 1E 104K-T | B | 61.3/37.3 |
| C26 | 4030017490 | S.CER C1608 JB 1A 105K-T | B | 51.5/52.2 |
| C27 | 4030011600 | S.CER C1608 JB 1E 104K-T | B | 63.7/59.1 |
| C28 | 4030017490 | S.CER C1608 JB 1A 105K-T | B | 51.5/54.8 |
| C44 | 4030006880 | S.CER C1608 JB 1H 472K-T | B | 151.5/26.9 |
| C45 | 4030006880 | S.CER C1608 JB 1H 472K-T | B | 155.5/28.7 |
| C47 | 4030006880 | S.CER C1608 JB 1H 472K-T | B | 66.1/3.4 |
| C49 | 4030006880 | S.CER C1608 JB 1H 472K-T | B | 158.1/28.7 |
| C50 | 4030006880 | S.CER C1608 JB 1H 472K-T | B | 25.7/32.6 |
| C70 | 4030006880 | S.CER C1608 JB 1H 472K-T | T | 15.6/29.6 |
| C71 | 4030006880 | S.CER C1608 JB 1H 472K-T | T | 16.9/33.9 |
| C72 | 4030006880 | S.CER C1608 JB 1H 472K-T | T | 15.6/28.3 |
| C73 | 4030006880 | S.CER C1608 JB 1H 472K-T | T | 16.0/25.8 |
| C74 | 4030017490 | S.CER C1608 JB 1A 105K-T | B | 155.1/39.0 |
| C101 | 4030011600 | S.CER C1608 JB 1E 104K-T | T | 66.5/26.5 |
| C102 | 4030006880 | S.CER C1608 JB 1H 472K-T | T | 36.5/27.9 |
| C103 | 4030012610 | S.CER C2012 JB 1C 474K-T | T | 66.2/23.4 |
| C104 | 4030011600 | S.CER C1608 JB 1E 104K-T | B | 138.1/60.8 |
| C105 | 4030011600 | S.CER C1608 JB 1E 104K-T | B | 155.8/61.3 |
| C106 | 4030019490 | S.CER C2012 JB 1A 106K-T | B | 139.8/61.3 |
| C107 | 4030011600 | S.CER C1608 JB 1E 104K-T | B | 155.8/64.2 |
| C108 | 4030019490 | S.CER C2012 JB 1A 106K-T | B | 136.5/54.5 |
| C109 | 4030019490 | S.CER C2012 JB 1A 106K-T | B | 154.1/63.4 |
| C110 | 4030011600 | S.CER C1608 JB 1E 104K-T | B | 138.1/57.9 |
| C158 | 4030017490 | S.CER C1608 JB 1A 105K-T | B | 39.7/37.4 |
| C170 | 4030006880 | S.CER C1608 JB 1H 472K-T | B | 23.6/23.6 |
| C171 | 4030006880 | S.CER C1608 JB 1H 472K-T | T | 39.2/37.7 |
| C172 | 4030018910 | S.CER C1608 JB 0J 475K-T | T | 38.4/36.4 |
| C211 | 4030006880 | S.CER C1608 JB 1H 472K-T | B | 19.1/32.7 |
| C212 | 4030011600 | S.CER C1608 JB 1E 104K-T | B | 19.1/38.5 |
| C1071 | 4030011600 | S.CER C1608 JB 1E 104K-T | T | 127.9/14.6 |
| C1072 | 4510009700 | S.ELE EEEFK1C101P | B | 128.3/19.3 |
| C1073 | 4510009820 | S.ELE EEEFK1C470P | B | 129.2/5.1 |
| C1074 | 4510009820 | S.ELE EEEFK1C470P | B | 129.2/12.2 |
| J1 | 6510018971 | S.CON B4B-PH-SM4-TB(LF)(SN) | B | 140.8/29.5 |
| J3 | 6510019971 | S.CON 52808-1071 | B | 157.3/22.7 |
| J4 | 6510019971 | S.CON 52808-1071 | B | 61.1/7.7 |
| J5 | 6510019971 | S.CON 52808-1071 | B | 9.4/29.2 |
| J101 | 6510024151 | S.CON 50FY-BMT-TB(LF)(SN) | B | 39.3/25.8 |
| J102 | 6510024151 | S.CON 50FY-BMT-TB(LF)(SN) | B | 39.3/61.0 |
| J301 | 6510019971 | S.CON 52808-1071 | B | 77.2/59.5 |
| DS1 | 5030003760 | LCD L2-1298TVM | | |
| DS2 | 5040003710 | S.LED KP-2012SYCK <TM> | T | 172.6/14.3 |
| DS70 | 5040003710 | S.LED KP-2012SYCK <TM> | T | 61.6/49.2 |
| DS71 | 5040003710 | S.LED KP-2012SYCK <TM> | T | 53.1/49.2 |
| DS73 | 5040003710 | S.LED KP-2012SYCK <TM> | T | 53.1/59.2 |
| DS74 | 5040003710 | S.LED KP-2012SYCK <TM> | T | 61.6/59.2 |
| DS76 | 5040003710 | S.LED KP-2012SYCK <TM> | T | 70.1/59.2 |
| DS77 | 5040003710 | S.LED KP-2012SYCK <TM> | T | 70.1/49.2 |
| DS79 | 5040003710 | S.LED KP-2012SYCK <TM> | T | 78.6/59.2 |
| DS80 | 5040003710 | S.LED KP-2012SYCK <TM> | T | 78.6/49.2 |
| DS82 | 5040003710 | S.LED KP-2012SYCK <TM> | T | 87.1/59.2 |
| DS83 | 5040003710 | S.LED KP-2012SYCK <TM> | T | 87.1/49.2 |
| DS85 | 5040003710 | S.LED KP-2012SYCK <TM> | T | 95.6/59.2 |
| DS86 | 5040003710 | S.LED KP-2012SYCK <TM> | T | 95.6/49.2 |
| DS88 | 5040003710 | S.LED KP-2012SYCK <TM> | T | 104.1/59.2 |
| DS89 | 5040003710 | S.LED KP-2012SYCK <TM> | T | 104.1/49.2 |
| EP2 | 8930076650 | LCD SRCN-3015-SP-N-W (SHJ) | | |
| EP4 | 6910012350 | S.BEA MMZ1608Y 102BT | B | 63.8/15.0 |
| EP5 | 6910012350 | S.BEA MMZ1608Y 102BT | T | 12.5/24.9 |
| EP6 | 6910012350 | S.BEA MMZ1608Y 102BT | B | 21.6/21.4 |
| EP45 | 6910012350 | S.BEA MMZ1608Y 102BT | B | 57.3/10.2 |
| EP46 | 6910012350 | S.BEA MMZ1608Y 102BT | B | 57.3/8.3 |
| EP47 | 6910018930 | S.BEA MPZ2012S601A | T | 41.9/23.3 |
| EP48 | 6910018930 | S.BEA MPZ2012S601A | T | 41.9/21.5 |
| EP49 | 6910018930 | S.BEA MPZ2012S601A | B | 41.1/21.2 |
| EP50 | 6910018930 | S.BEA MPZ2012S601A | B | 45.6/21.0 |
| EP51 | 6910018930 | S.BEA MPZ2012S601A | B | 65.5/7.5 |
| EP52 | 6910018930 | S.BEA MPZ2012S601A | B | 65.5/11.2 |

[LOGIC UNIT]

| REF NO. | PARTS NO. | DESCRIPTION | M. | H/V LOCATION |
|---------|------------|--------------------|----|--------------|
| EP53 | 6910018930 | S.BEA MPZ2012S601A | B | 8.8/25.3 |
| EP54 | 6910018930 | S.BEA MPZ2012S601A | B | 66.4/4.9 |
| EP55 | 6910018930 | S.BEA MPZ2012S601A | B | 43.0/21.0 |

Eqv.= This component is equivalent to the REF No. component listed above, and may be substituted on parts orders and repairs.

M.=Mounted side (T: Mounted on the Top side, B: Mounted on the Bottom side) S.=Surface mount

[VR-A UNIT]

| REF NO. | PARTS NO. | DESCRIPTION | M. | H/V LOCATION |
|---------|------------|---------------------------------|----|--------------|
| R1 | 7210002910 | VAR RV-310(RK0972210 10KB/10KB) | | |
| R2 | 7210002960 | VAR RV-313(RK0972210 10KB/10KB) | | |
| J1 | 6510026670 | S.CON IMSA-6281S-06Y900 | T | 21.7/5.1 |

[VR-B UNIT]

| REF NO. | PARTS NO. | DESCRIPTION | M. | H/V LOCATION |
|---------|------------|------------------------------|----|--------------|
| J1 | 6510020711 | S.CON 52793-1070(1090) | T | 9.2/2.4 |
| S1 | 2250000640 | ENC TP96D96E20-22F-10KB-3015 | | |

Eqv.= This component is equivalent to the REF No. component listed above, and may be substituted on parts orders and repairs.

M.=Mounted side (T: Mounted on the Top side, B: Mounted on the Bottom side)
S.=Surface mount

[MIC UNIT]

| REF NO. | PARTS NO. | DESCRIPTION | M. | H/V LOCATION |
|---------|------------|--------------------|----|--------------|
| J1 | 6510000191 | CON FM214-8SS(P)-1 | | |
| J2 | 6510019971 | S.CON 52808-1071 | B | 18.1/6.5 |

[PHONE UNIT]

| REF NO. | PARTS NO. | DESCRIPTION | M. | H/V LOCATION |
|---------|------------|---------------------------|----|--------------|
| R1 | 7030006070 | S.RES ERJ12YJ101U (100) | T | 24.6/5.0 |
| R2 | 7030006070 | S.RES ERJ12YJ101U (100) | T | 24.6/10.1 |
| R3 | 7030003440 | S.RES ERJ3GEYJ 102 V (1K) | T | 23.1/12.6 |
| C1 | 4030006880 | S.CER C1608 JB 1H 472K-T | B | 27.7/9.6 |
| C2 | 4030006880 | S.CER C1608 JB 1H 472K-T | T | 23.1/2.5 |
| C3 | 4030006880 | S.CER C1608 JB 1H 472K-T | T | 23.1/13.9 |
| J1 | 6510027890 | CON 01J0370-00 | | |
| J2 | 6510019971 | S.CON 52808-1071 | B | 26.6/4.0 |
| EP1 | 6910014690 | S.BEA MPZ1608S221A-T | B | 29.2/8.1 |

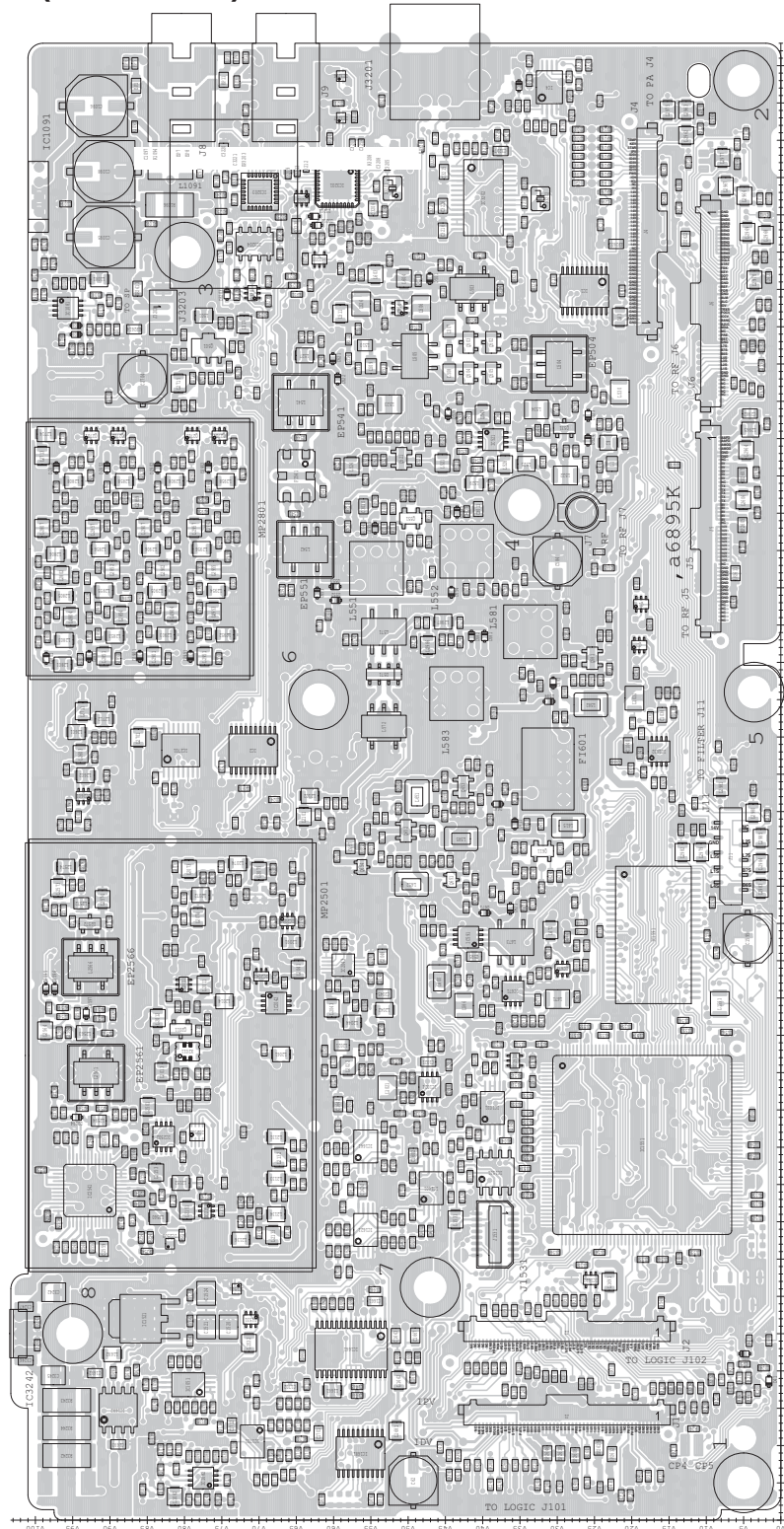
Eqv.= This component is equivalent to the REF No. component listed above, and may be substituted on parts orders and repairs.

M.=Mounted side (T: Mounted on the Top side, B: Mounted on the Bottom side)
S.=Surface mount

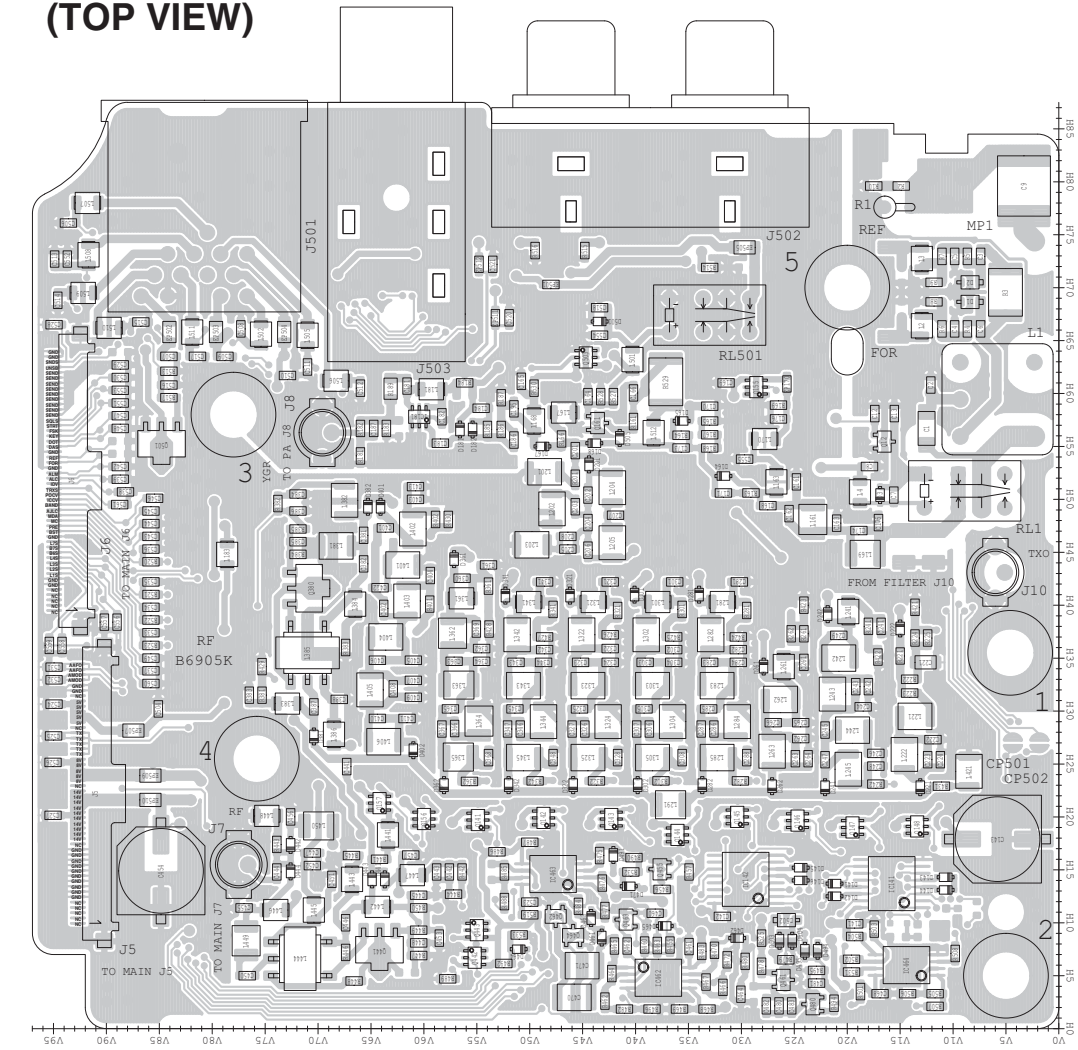
BOARD LAYOUTS

The combination of top side and bottom side of this page shows the actual configuration of P.C. board.

• MAIN UNIT B-6895K (TOP VIEW)

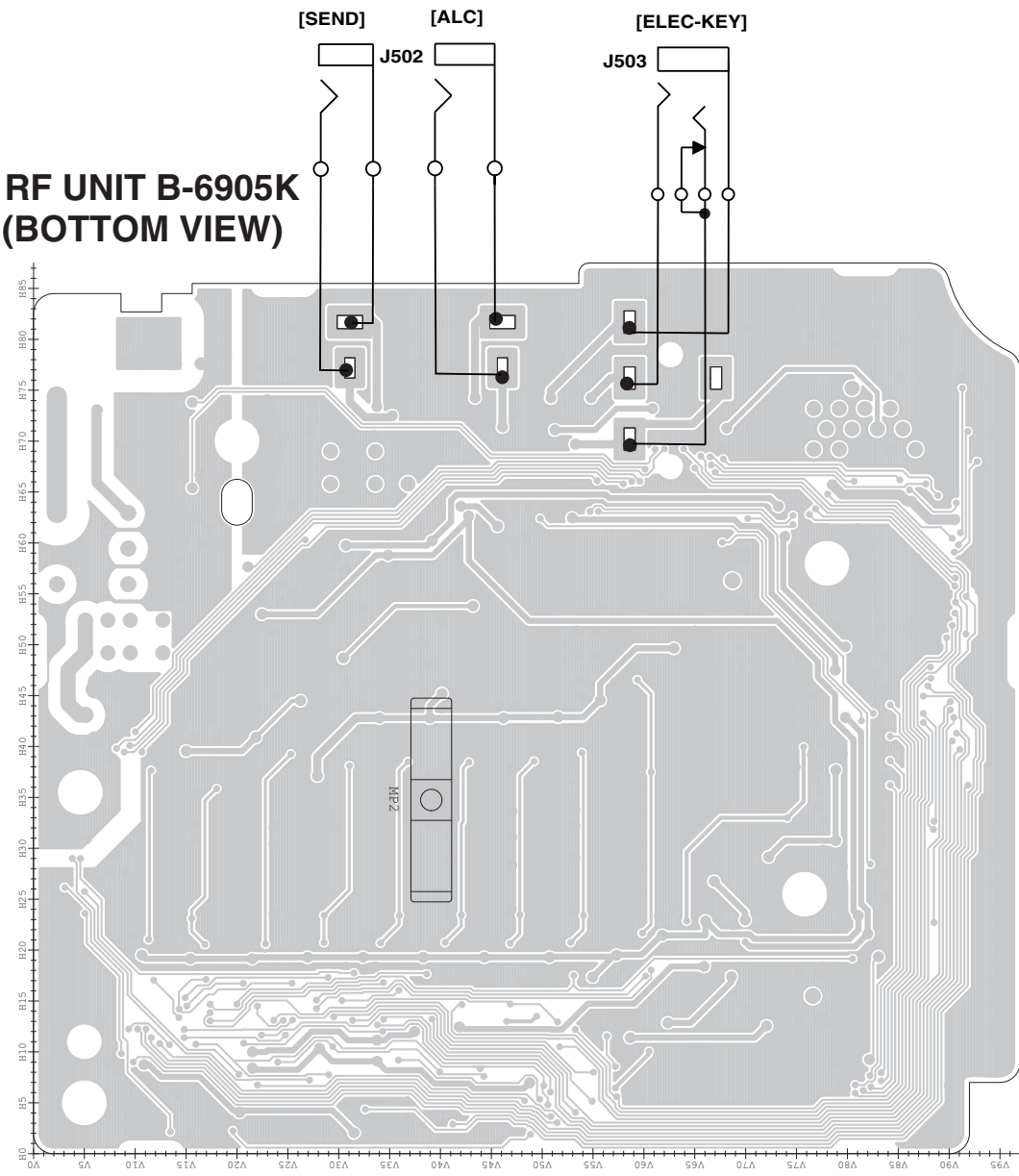


• RF UNIT B-6905K (TOP VIEW)

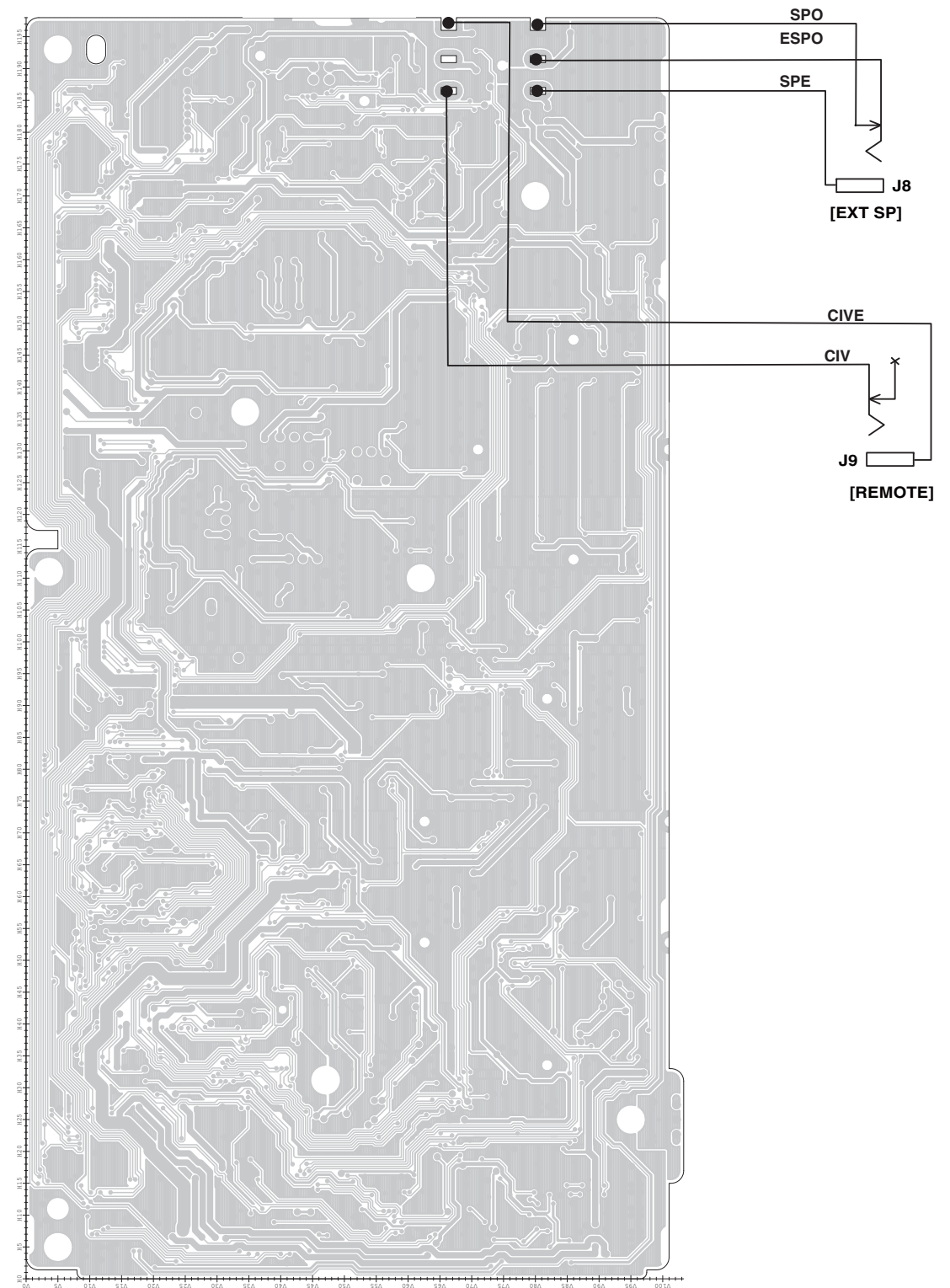


The combination of top side and bottom side of this page shows the actual configuration of P.C. board.

• RF UNIT B-6905K
(BOTTOM VIEW)

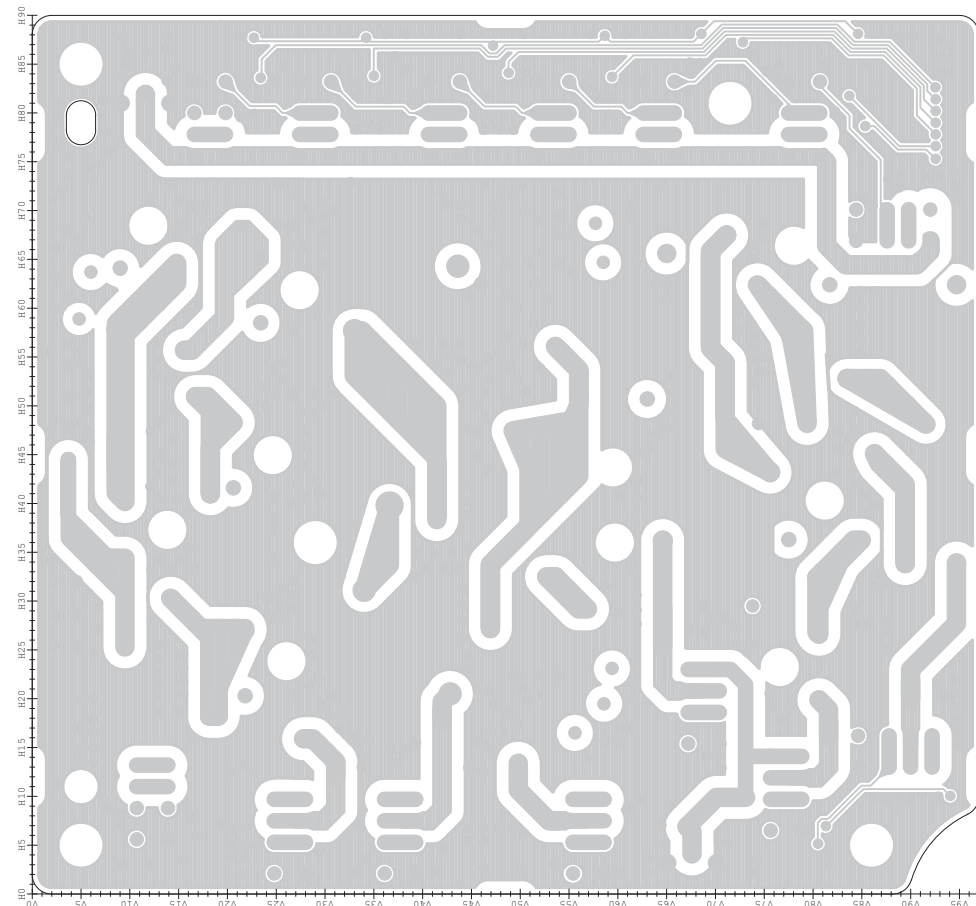


• MAIN UNIT B-6895K
(BOTTOM VIEW)

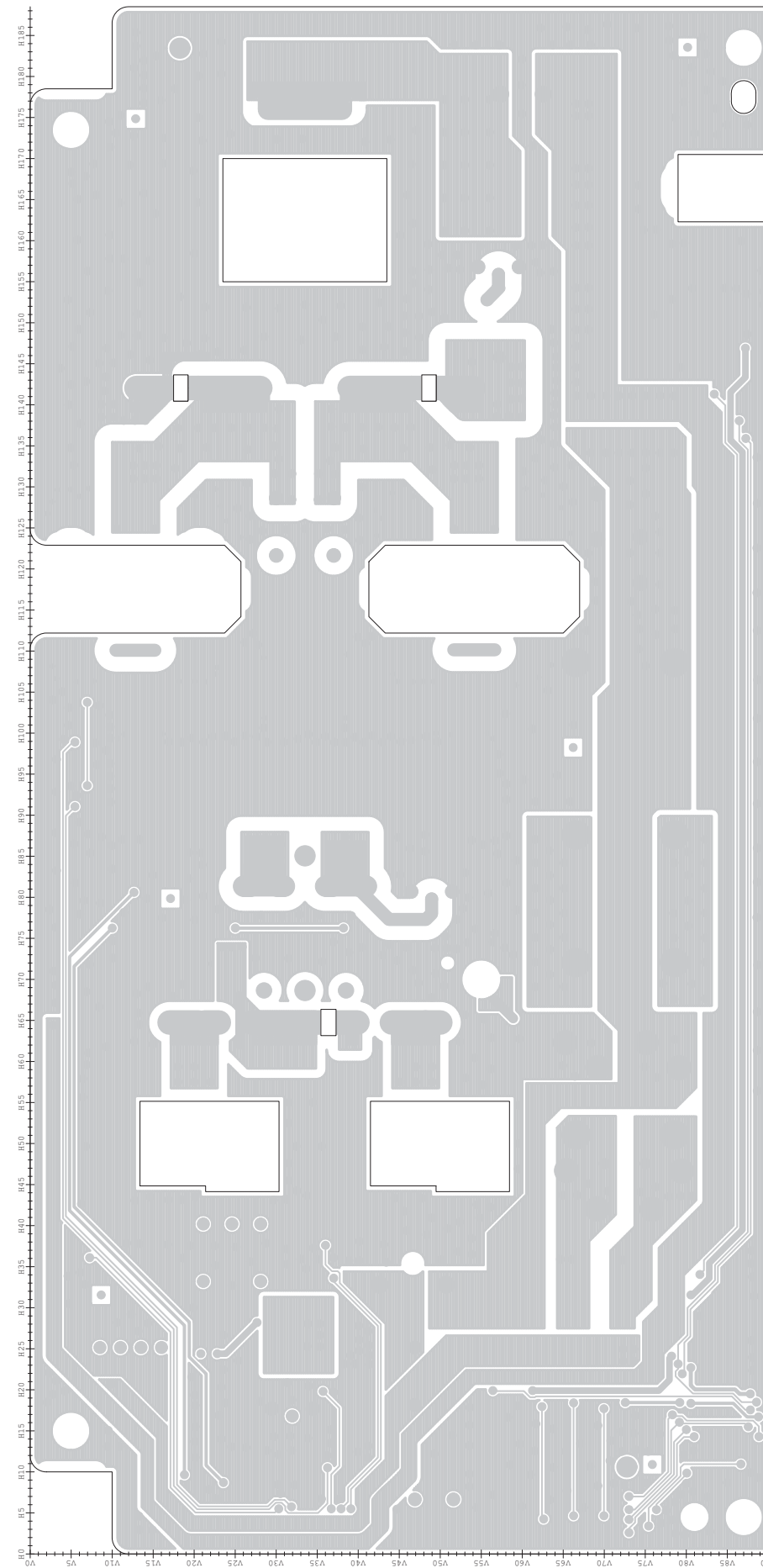


The combination of top side and bottom side of this page shows the actual configuration of P.C. board.

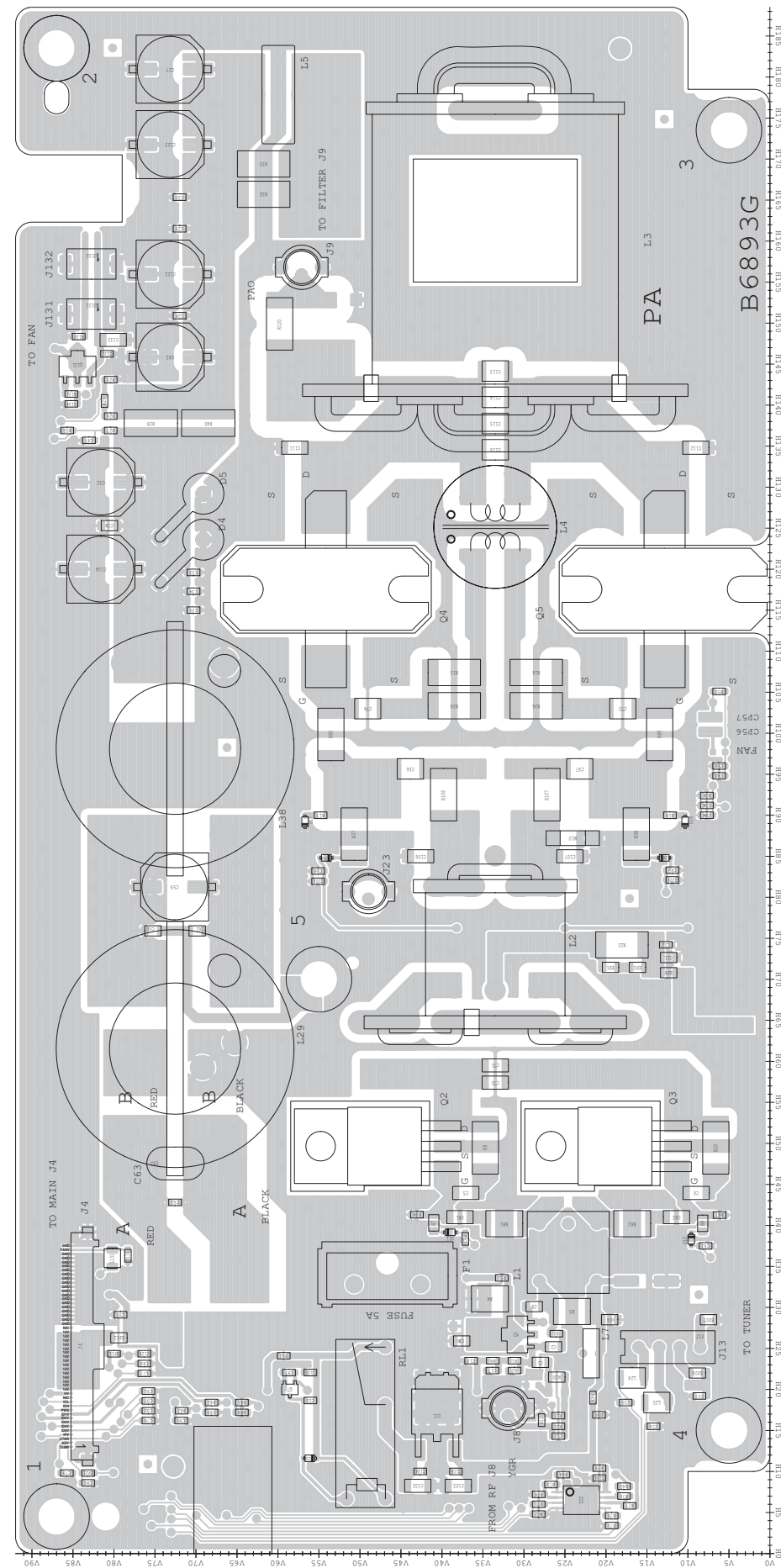
• FILTER UNIT B-6894E
(TOP VIEW)



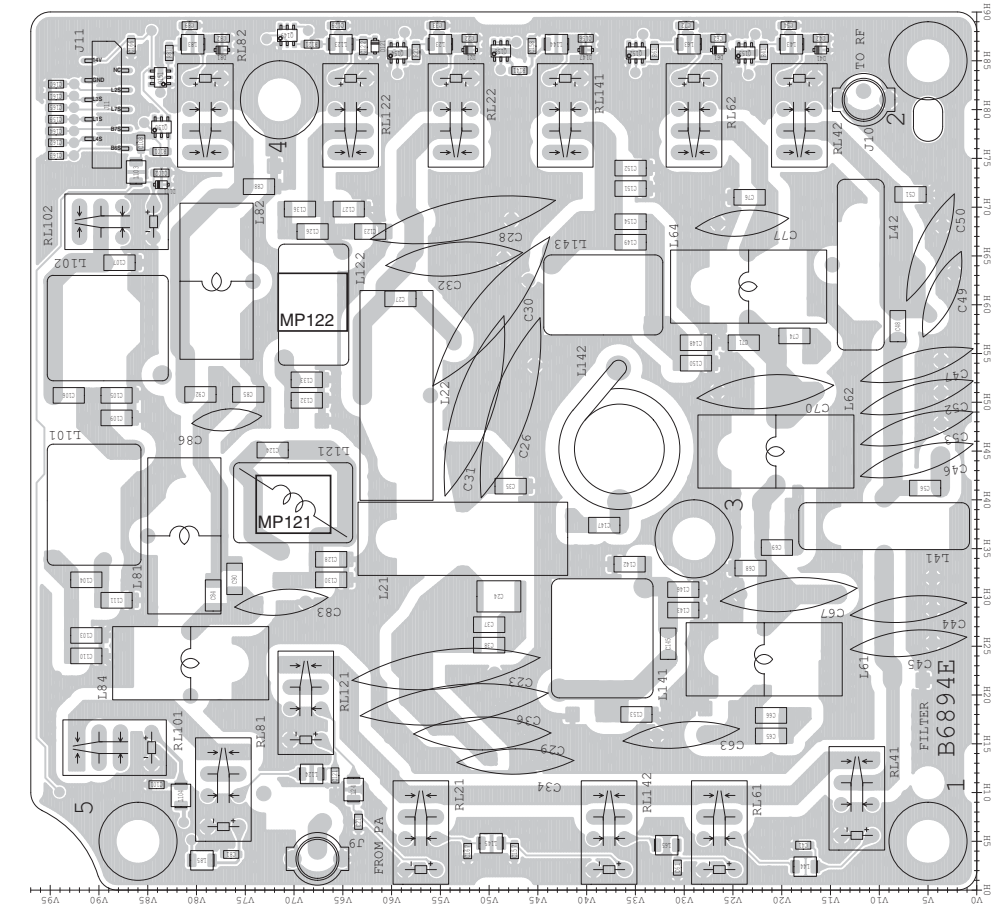
• PA UNIT B-6893G
(TOP VIEW)



• PA UNIT B-6893G
(BOTTOM VIEW)

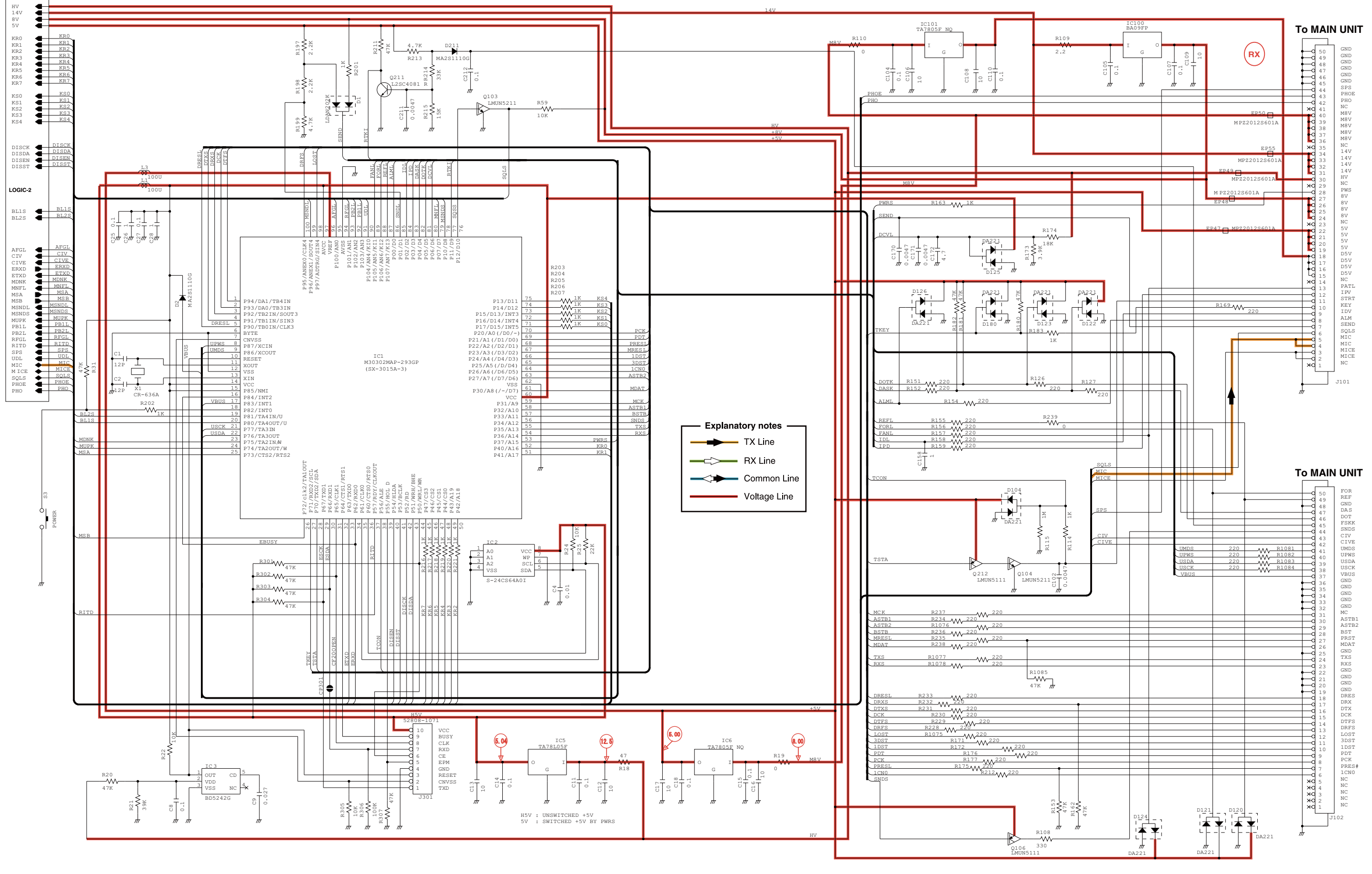


• FILTER UNIT B-6894E
(BOTTOM VIEW)

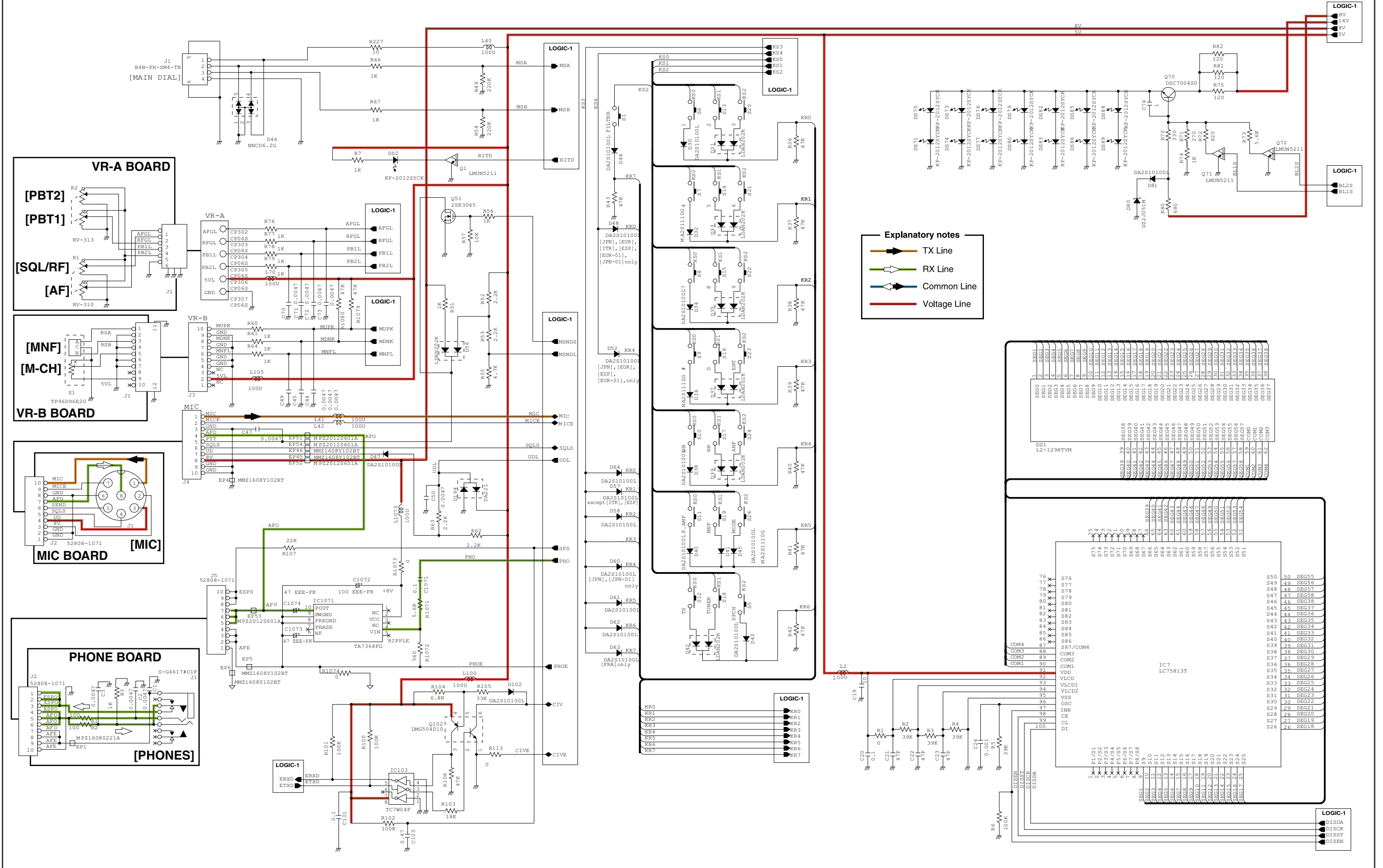


VOLTAGE DIAGRAM

• LOGIC UNIT (LOGIC-1)

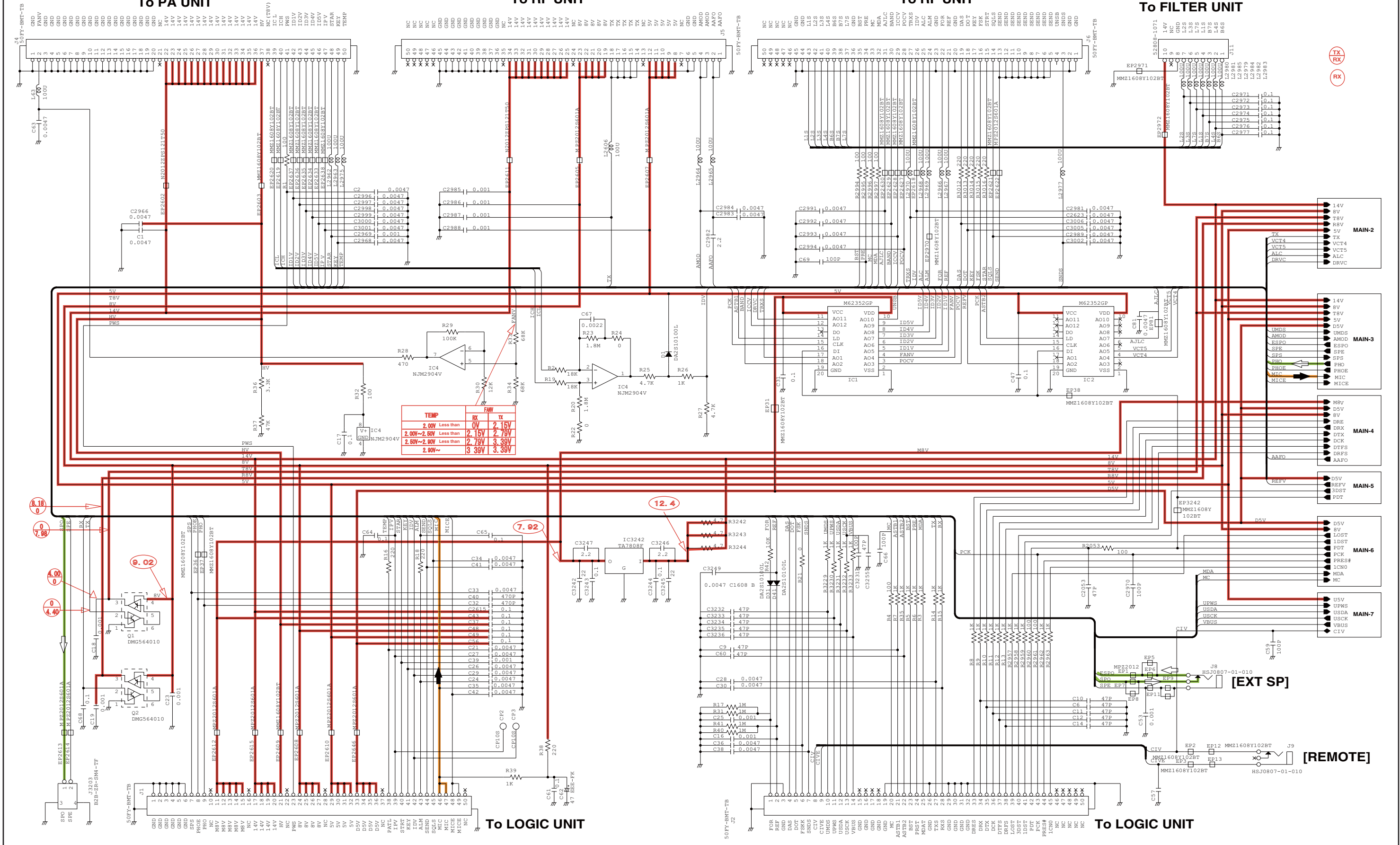


• LOGIC UNIT (LOGIC-2)



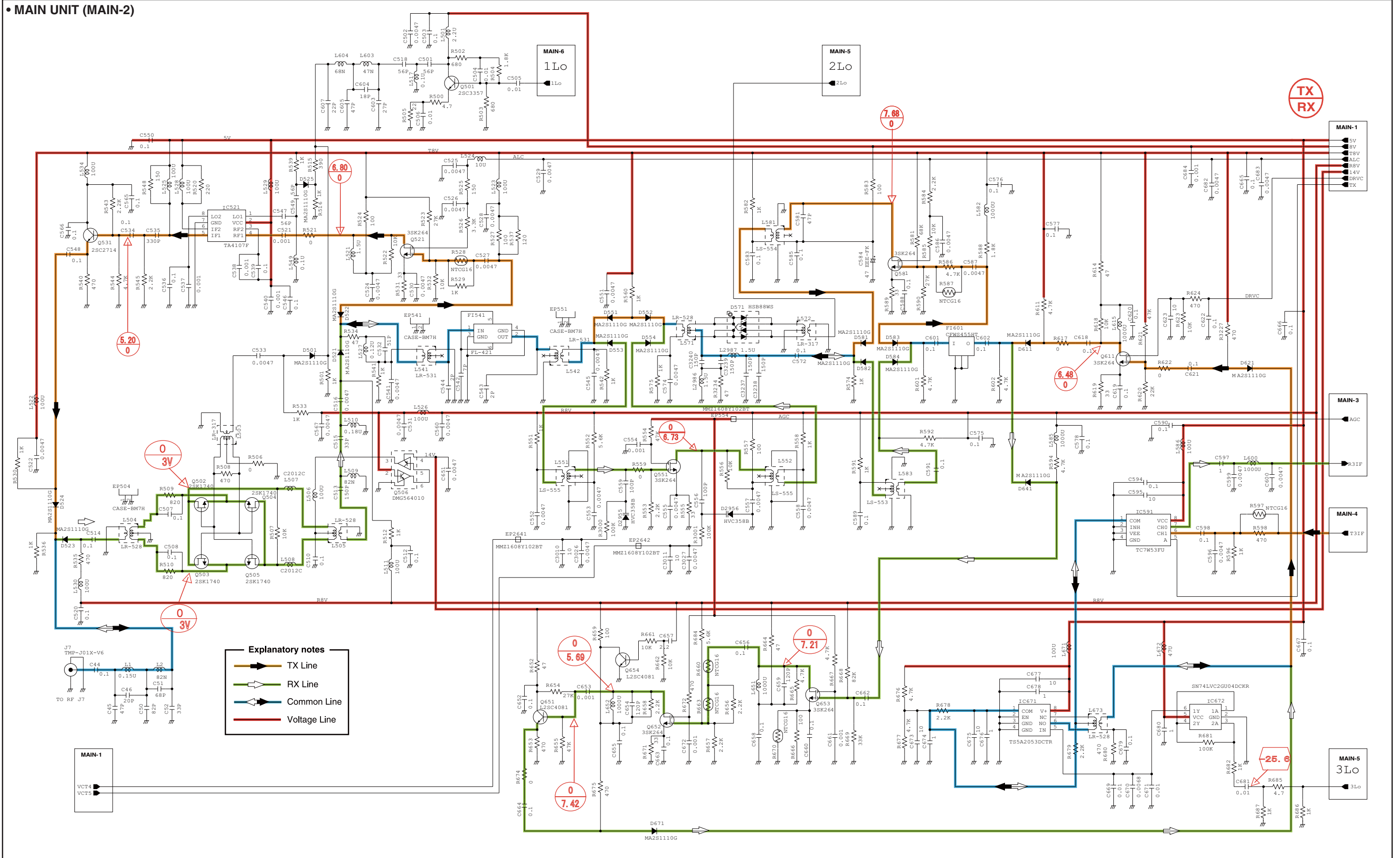
*; Refer to "PARTS LIST"

• MAIN UNIT (MAIN-1)



*; Refer to "PARTS LIST."

• MAIN UNIT (MAIN-2)

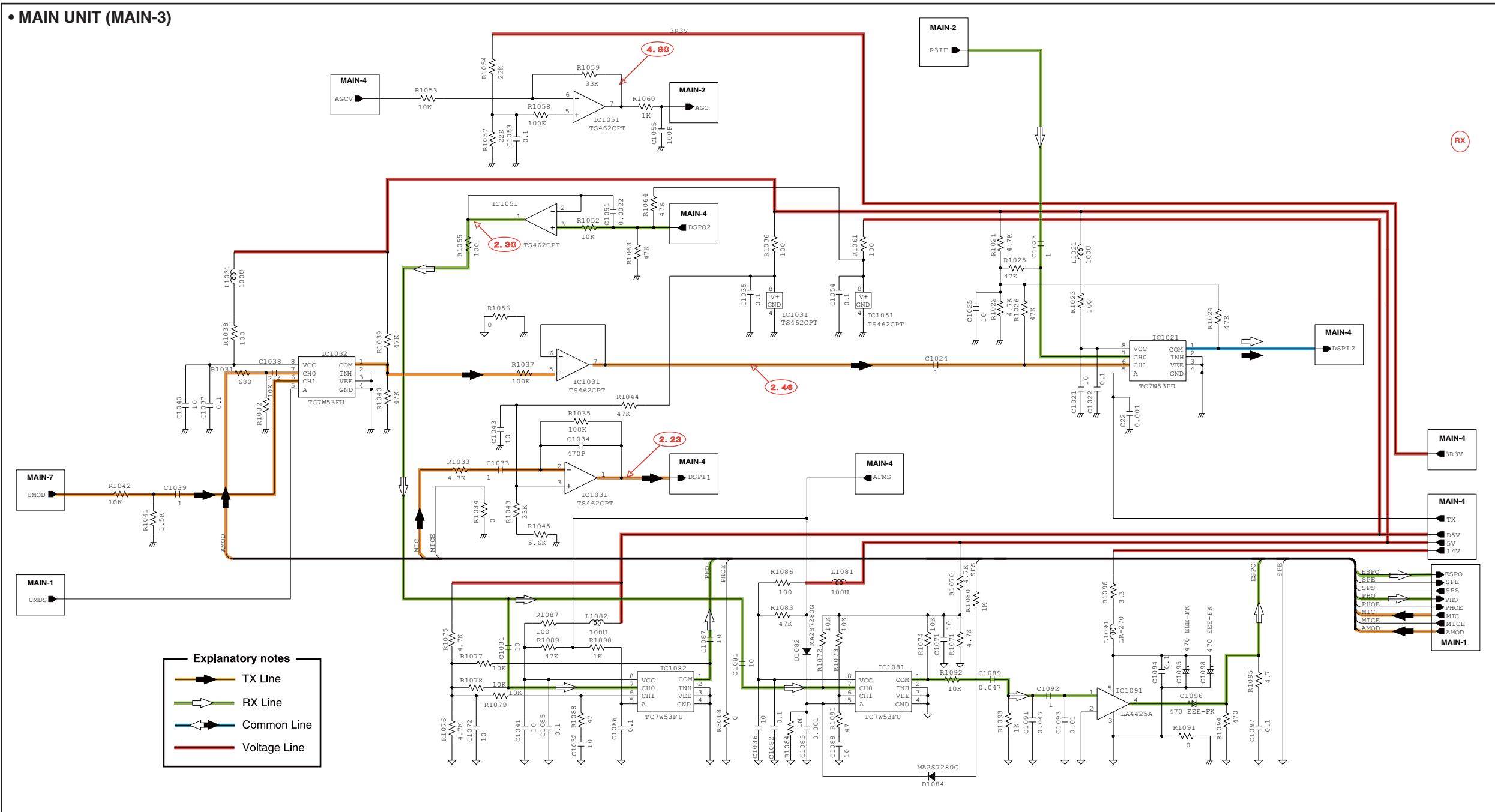


Explanatory notes

- TX Line
- RX Line
- Common Line
- Voltage Line

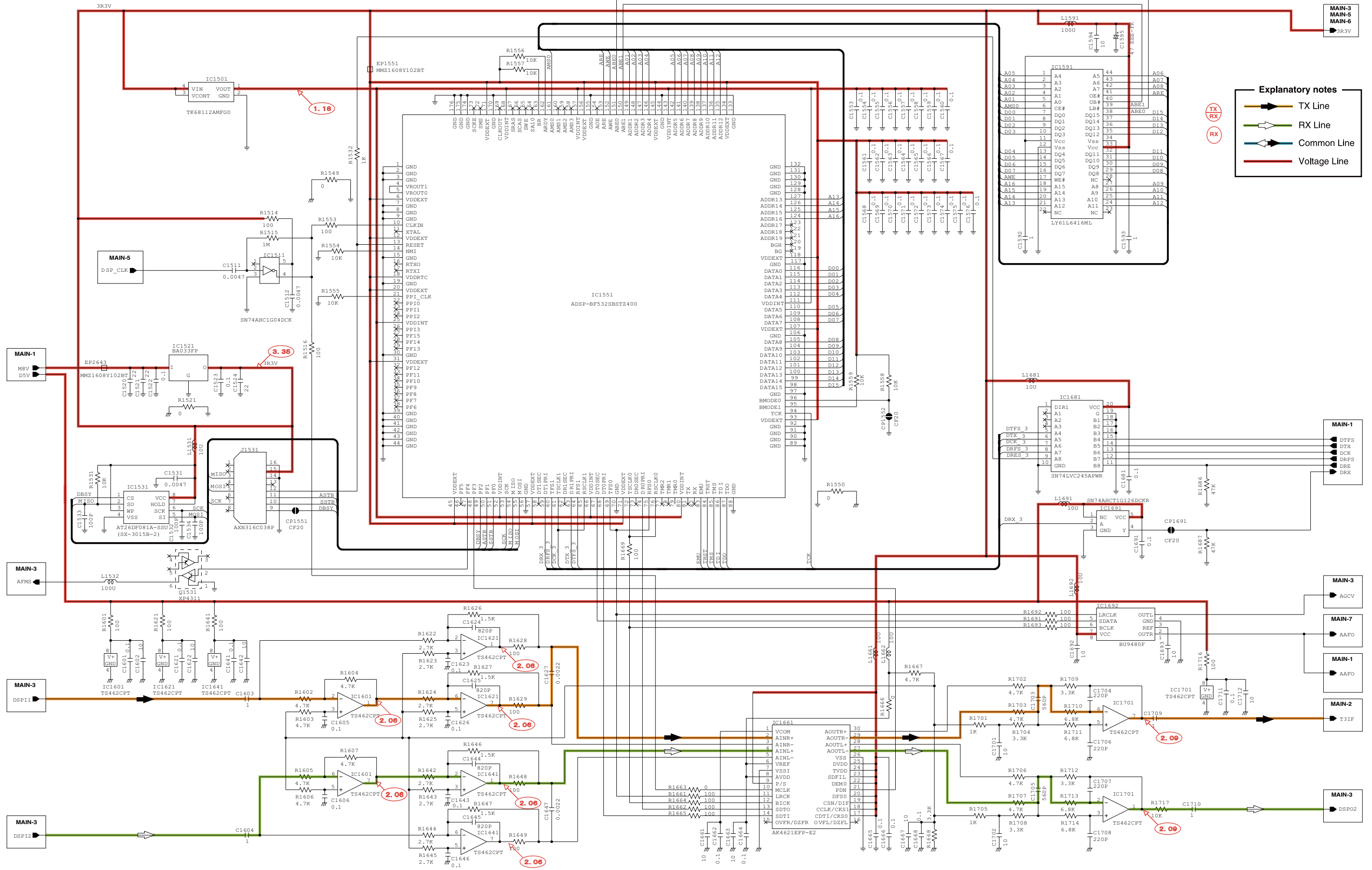
*; Refer to "PARTS LIST"

• MAIN UNIT (MAIN-3)



*; Refer to "PARTS LIST."

• MAIN UNIT (MAIN-4)

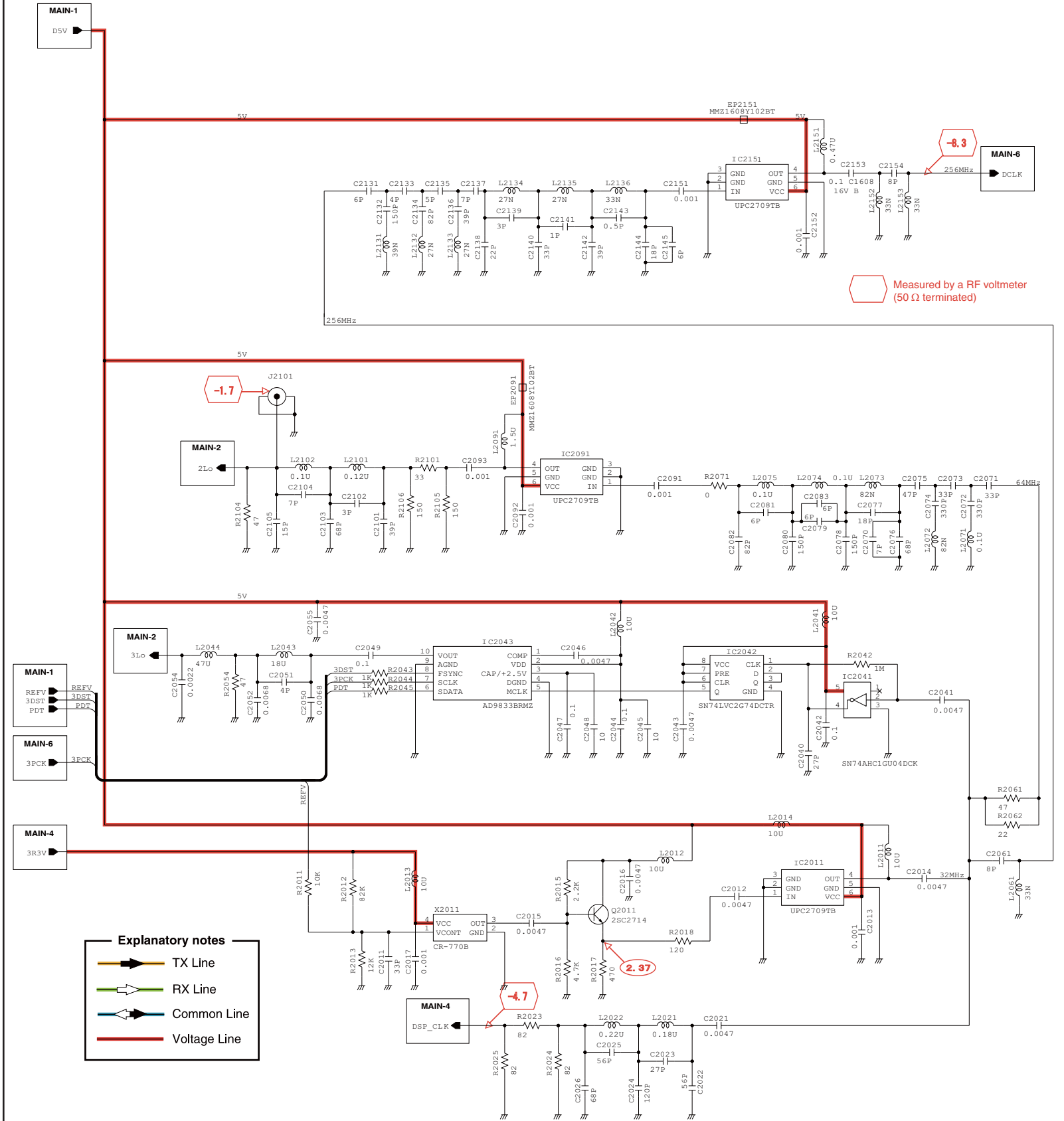


Explanatory notes

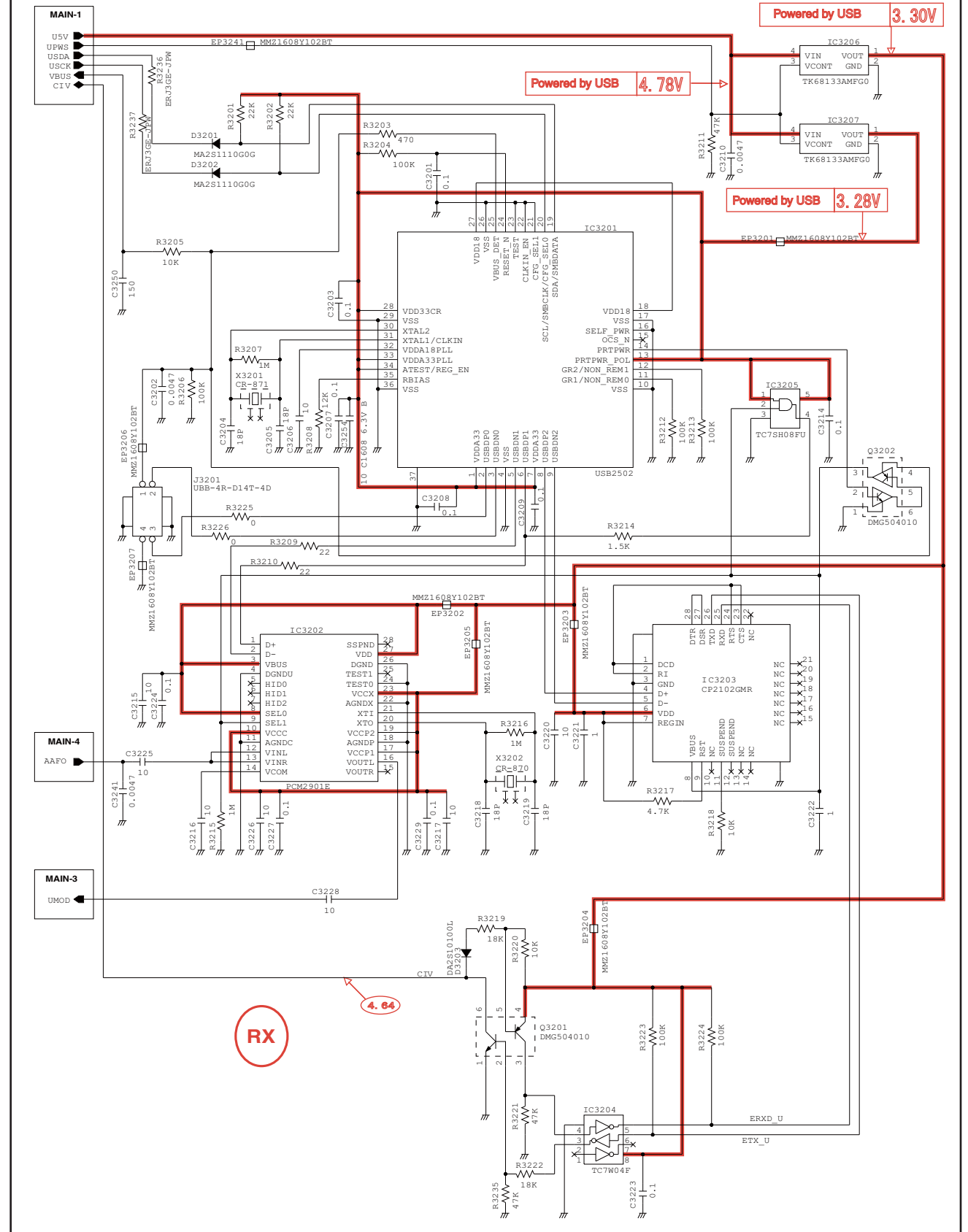
- TX Line
- RX Line
- Common Line
- Voltage Line

*; Refer to "PARTS LIST"

• MAIN UNIT (MAIN-5)

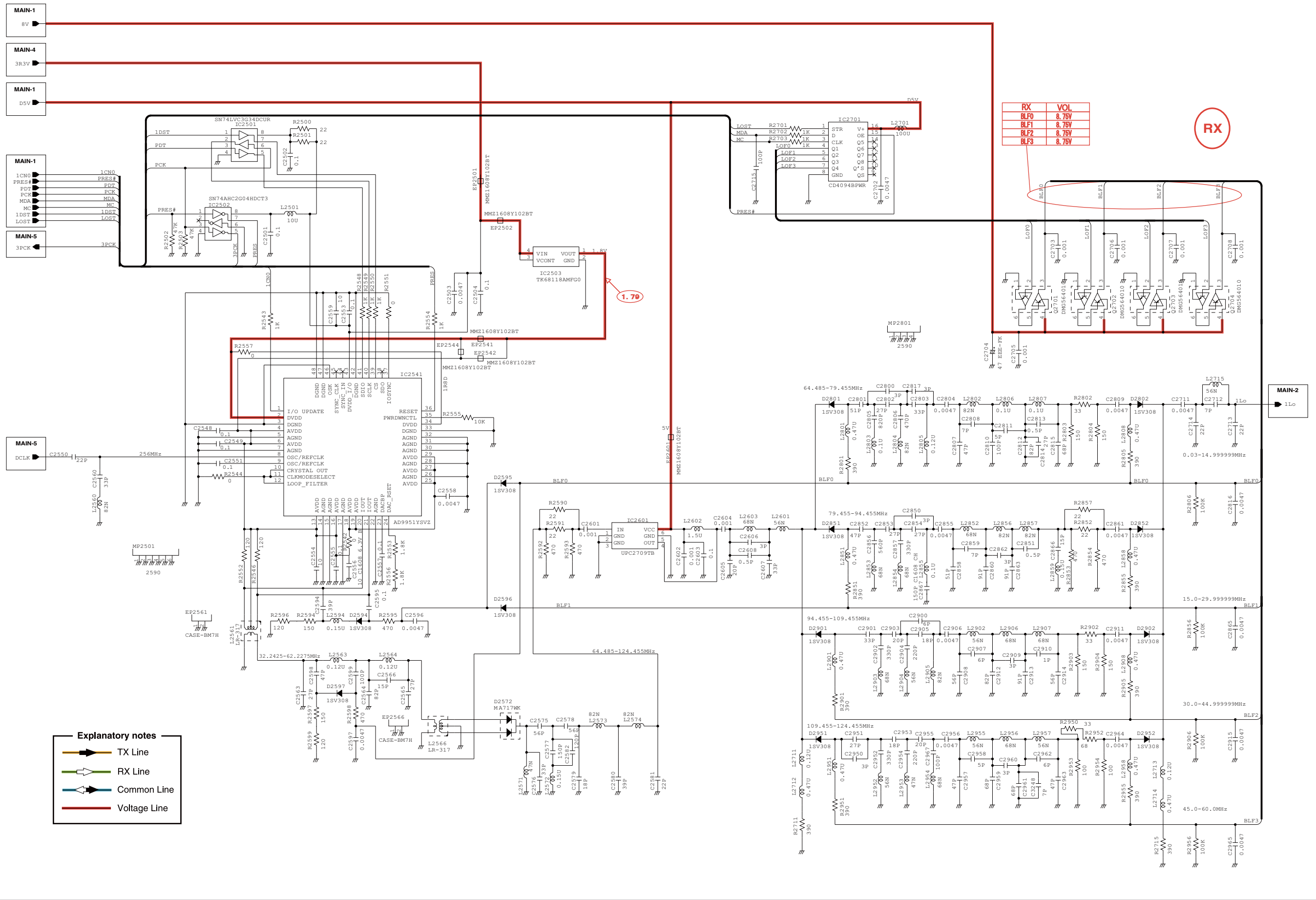


• MAIN UNIT (MAIN-6)



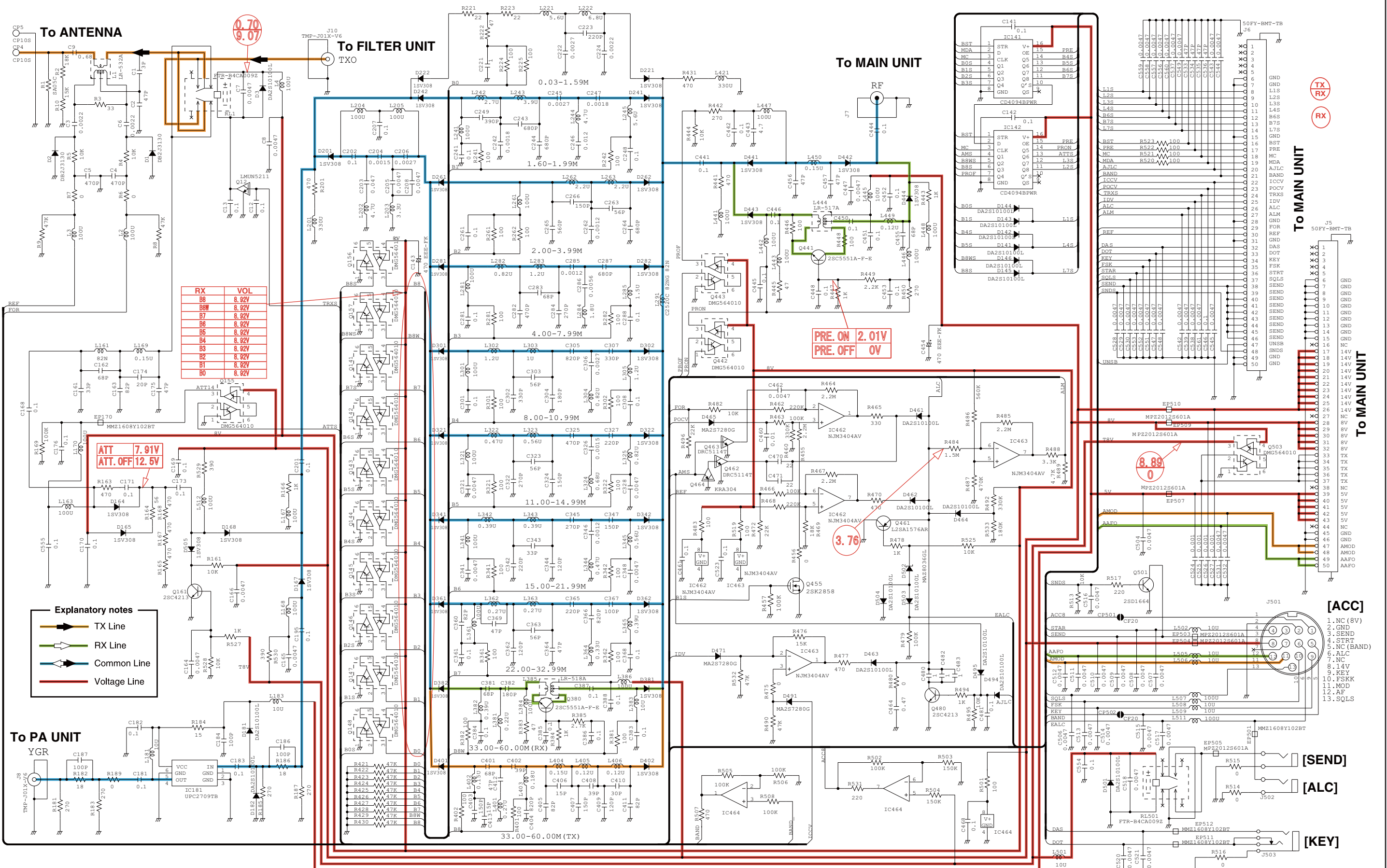
*; Refer to "PARTS LIST."

• MAIN UNIT (MAIN-7)



*; Refer to "PARTS LIST"

• RF UNIT



Explanatory notes

- TX Line
- RX Line
- Common Line
- Voltage Line

*; Refer to "PARTS LIST."

February 2013



SERVICE MANUAL ADDENDUM

IC-7200

CONTENTS

| | |
|-------------------------|-------------|
| REPLACEMENT PAGES | 6-1 and 6-2 |
| PARTS LIST | 1 |
| BOARD LAYOUTS | 19 |
| VOLTAGE DIAGRAM | 21 |

SECTION 6

MECHANICAL PARTS

[CHASSIS] (C)

| REF NO. | ORDER NO. | DESCRIPTION | QTY. |
|---------|------------|---------------------------------------|------------|
| J1* | 6510028410 | MR-DS-01-1 <GA> | 1 |
| MF1 | 2710000811 | FD124010HB-1N7-1 (120) <USE> | 1 |
| MF2 | 2710000811 | FD124010HB-1N7-1 (120) <USE> | 1 |
| W1** | 8900014720 | OPC-909A (P1N10L110) | 1 |
| W5** | 8900017870 | OPC-1887 (P0.5N50L140) | 1 |
| W6** | 8900017870 | OPC-1887 (P0.5N50L140) | 1 |
| W7** | 8900017870 | OPC-1887 (P0.5N50L140) | 1 |
| W8** | 8900017870 | OPC-1887 (P0.5N50L140) | 1 |
| W9** | 8900017870 | OPC-1887 (P0.5N50L140) | 1 |
| W10** | 8970024292 | 1.5D COAXIAL150MM-2 C31/C31 | 1 |
| W12** | 8970024292 | 1.5D COAXIAL150MM-2 C31/C31 | 1 |
| W14** | 8970024292 | 1.5D COAXIAL150MM-2 C31/C31 | 1 |
| W16** | 8970024292 | 1.5D COAXIAL150MM-2 C31/C31 | 1 |
| MP1 | 8010021071 | 3015 CHASSIS-1 | 1 |
| MP2 | 8110009510 | 3015 L-COVER | 1 |
| MP3 | 8110009500 | 3015 U-COVER | 1 |
| MP4 | 8930075130 | 3015 L-PACKING (TOT) | 1 |
| MP5 | 8930075140 | 3015 U-PACKING (TOT) | 1 |
| MP6 | 8930075590 | 3015 ANT PLATE Y1090 | 1 |
| MP7 | 8510018690 | 3015 MAIN COVER | 1 |
| MP8 | 8510018700 | 3015 PA COVER | 1 |
| MP9 | 8930042690 | RUBBER LEG (L) (FF-024-A4) | 2 |
| MP10 | 8930075100 | 3015 STAND HOLDER | 2 |
| MP11 | 8930074520 | 3015 STAND | 1 |
| MP12 | 8810008661 | PHBT M3 X 8 NI-ZC3 | 5 |
| MP13 | 8810008661 | PHBT M3 X 8 NI-ZC3 | 5 |
| MP14 | 8810008661 | PHBT M3 X 8 NI-ZC3 | 5 |
| MP15 | 8810008661 | PHBT M3 X 8 NI-ZC3 | 8 |
| MP16 | 8810008661 | PHBT M3 X 8 NI-ZC3 | 2 |
| MP17 | 8810010491 | PH M3 X15 ZK3 | 7 |
| MP18 | 8810010491 | PH M3 X15 ZK3 | 7 |
| MP19 | 8810004431 | PH M3 X 6 ZK3 | 4 |
| MP20 | 8810004431 | PH M3 X 6 ZK3 | 4 |
| MP21 | 8810003171 | SET SCREWA M3 X 8 ZC3 | 6 |
| MP24 | 8810009991 | PHBT M3 X 8 NI-ZK3 | 2 |
| MP25 | 8930076070 | 3015 BUSH (TOT) | 1 |
| MP26 | 8930076080 | 3015 A-NET | 1 |
| MP27 | 8930076090 | 3015 FAN HOLDER | 1 |
| MP28 | 8810008661 | PHBT M3 X 8 NI-ZC3 | 4 |
| MP29 | 8810004301 | PH M3 X10 ZK3 | 4 |
| MP30 | 8810009371 | PHBT M3 X12 NI-ZK3 | 4 |
| MP31 | 8820000530 | FLANGE BOLT M4 X 8 NI | 1 |
| MP32 | 8850000140 | FLAT WASHER M 4 NI BS | 2 |
| MP33 | 8850000430 | S-WASHER M 4 NI | 1 |
| MP34 | 8930075810 | SPONGE (KB) | 1 |
| MP35 | 8930075810 | SPONGE (KB) | 1 |
| MP36 | 8930047070 | SPONGE (FQ) | 1 |
| MP37 | 8930049770 | SPONGE (GF) 25X15X1 | 1 |
| MP38 | 8930049770 | SPONGE (GF) 25X15X1 | 1 |
| MP39 | 8930071840 | HIMELON SHEET (CT) | 1 |
| MP40 | 8930079060 | 3073 DC PLATE | 1 |
| MP42 | 8930077680 | 3015 PA EARTH SPRING | [EUR] 1 |
| | 8930077680 | 3015 PA EARTH SPRING | [FRA] 1 |
| | 8930077680 | 3015 PA EARTH SPRING | [ITR] 1 |
| | 8930077680 | 3015 PA EARTH SPRING | [ESP] 1 |
| | 8930077680 | 3015 PA EARTH SPRING | [EUR-01] 1 |
| MP43 | 8930048971 | SHIELD TAPE (C)-1 | [EUR] 2 |
| | 8930048971 | SHIELD TAPE (C)-1 | [FRA] 2 |
| | 8930048971 | SHIELD TAPE (C)-1 | [ITR] 2 |
| | 8930048971 | SHIELD TAPE (C)-1 | [ESP] 2 |
| | 8930048971 | SHIELD TAPE (C)-1 | [EUR-01] 2 |
| MP121 | 8930068260 | THERMAL SHEET (AV)TC500HS-1.4 (20X35) | 1 |
| MP1091 | 8930049600 | 2240 IC CLIP Y458 | 1 |
| MP3242 | 8930078200 | 3015 IC CLIP Y1138 | 1 |

[MAIN UNIT] (M)

| REF NO. | ORDER NO. | DESCRIPTION | QTY. |
|---------|------------|--------------------------------|------------|
| J1* | 6510024151 | 50FY-BMT-TB (LF) (SN) | 1 |
| J2* | 6510024151 | 50FY-BMT-TB (LF) (SN) | 1 |
| J4* | 6510024151 | 50FY-BMT-TB (LF) (SN) | 1 |
| J5* | 6510024151 | 50FY-BMT-TB (LF) (SN) | 1 |
| J6* | 6510024151 | 50FY-BMT-TB (LF) (SN) | 1 |
| J7* | 6510028210 | SJ050010 (TMP-J01X-V6) | 1 |
| J8* | 6450000140 | HSJ0807-01-010 | 1 |
| J9* | 6450000140 | HSJ0807-01-010 | 1 |
| J11* | 6510019971 | 52808-1071 | 1 |
| J1531* | 6510025840 | AXN316C038P | 1 |
| J3201* | 6510026540 | UBB-4R-D14T-4D (LF) (SN) | 1 |
| J3203* | 6510014961 | B2B-ZR-SM4-TF (LF) (SN) | 1 |
| EP504* | 6910002161 | CASE-BM7H-LF | 1 |
| EP541* | 6910002161 | CASE-BM7H-LF | 1 |
| EP551* | 6910002161 | CASE-BM7H-LF | 1 |
| EP2561* | 6910002161 | CASE-BM7H-LF | 1 |
| EP2566* | 6910002161 | CASE-BM7H-LF | 1 |
| MP1 | 8930077690 | 3015 MAIN EARTH SPRING | [USA] 1 |
| | 8930077690 | 3015 MAIN EARTH SPRING | [EUR] 1 |
| | 8930077690 | 3015 MAIN EARTH SPRING | [FRA] 1 |
| | 8930077690 | 3015 MAIN EARTH SPRING | [ITR] 1 |
| | 8930077690 | 3015 MAIN EARTH SPRING | [ESP] 1 |
| | 8930077690 | 3015 MAIN EARTH SPRING | [EUR-01] 1 |
| MP551 | 8930076610 | 3015 LS SPRING | 1 |
| MP581 | 8930057870 | 2429 EARTH SPRING | 1 |
| MP582 | 8930056211 | SHIELD SPONGE (G)-1 | 1 |
| MP1521 | 8930070510 | THERMAL SHEET (BF)TC-600HS-1.4 | 1 |
| MP2501* | 8510015770 | 2590 DSP CASE Y688 | 1 |
| MP2541 | 8930070510 | THERMAL SHEET (BF)TC-600HS-1.4 | 1 |
| MP2801* | 8510015880 | 2590 S2LO CASE Y694 | 1 |
| MP3201 | 8930068000 | SHIELD SPONGE (AT) | [USA] 1 |
| | 8930068000 | SHIELD SPONGE (AT) | [EUR] 1 |
| | 8930068000 | SHIELD SPONGE (AT) | [FRA] 1 |
| | 8930068000 | SHIELD SPONGE (AT) | [ITR] 1 |
| | 8930068000 | SHIELD SPONGE (AT) | [ESP] 1 |
| | 8930068000 | SHIELD SPONGE (AT) | [EUR-01] 1 |
| MP3202 | 8930080480 | FERRITE SHEET (AC) 0 | 1 |

[RF UNIT] (RF)

| REF NO. | ORDER NO. | DESCRIPTION | QTY. |
|---------|------------|------------------------|------|
| J5* | 6510024151 | 50FY-BMT-TB (LF) (SN) | 1 |
| J6* | 6510024151 | 50FY-BMT-TB (LF) (SN) | 1 |
| J7 | 6510028210 | SJ050010 (TMP-J01X-V6) | 1 |
| J8 | 6510028210 | SJ050010 (TMP-J01X-V6) | 1 |
| J10 | 6510028210 | SJ050010 (TMP-J01X-V6) | 1 |
| J501 | 6450001641 | TCS5044-0141177 | 1 |
| J502 | 6450001130 | JPJ2042-01-110 | 1 |
| J503 | 6510023900 | LGR4619-7000 | 1 |
| MP1 | 8930075430 | 3015 ANT SPRING Y1091 | 1 |
| MP2* | 8930065741 | 2590 D-EARTH SPRING-1 | 1 |

[PA UNIT] (PA)

| REF NO. | ORDER NO. | DESCRIPTION | QTY. |
|---------|------------|---------------------------------------|------------|
| WS1 | 8600036641 | SX2242 J12*13PA-1 50MM | 1 |
| J4* | 6510024151 | 50FY-BMT-TB (LF) (SN) | 1 |
| J8 | 6510028210 | SJ050010 (TMP-J01X-V6) | 1 |
| J9 | 6510028210 | SJ050010 (TMP-J01X-V6) | 1 |
| J131* | 6510014961 | B2B-ZR-SM4-TF (LF) (SN) | 1 |
| J132* | 6510014961 | B2B-ZR-SM4-TF (LF) (SN) | 1 |
| F1 | 5220000400 | FHA010-01F | 1 |
| F2 | 5210000940 | 1205 | 1 |
| W40 | 8900018211 | OPC-1942A | [USA] 1 |
| | 8900018220 | OPC-1943 | [EUR] 1 |
| | 8900018220 | OPC-1943 | [FRA] 1 |
| | 8900018220 | OPC-1943 | [ITR] 1 |
| | 8900018220 | OPC-1943 | [ESP] 1 |
| | 8900018220 | OPC-1943 | [EUR-01] 1 |
| | 8900017860 | OPC-1857 | [KOR] 1 |
| | 8900017860 | OPC-1857 | [CHN] 1 |
| | 8900017860 | OPC-1857 | [EXP] 1 |
| MP4 | 8930075440 | 3015 RUG SPRING Y1115 | 1 |
| MP5 | 8930075440 | 3015 RUG SPRING Y1115 | 1 |
| MP39 | 8930073470 | THERMAL SHEET (BK)TC400HS-1.4 (24*29) | 1 |

*: Refer to "BOARD LAYOUTS" for the location.

** : Refer to "GENERAL WIRING" for the connection

Screw abbreviations A, B0, BT: Self-tapping PH: Pan head ZK: Black NI-ZU: Nickel-Zinc SUS: Stainless

[FRONT UNIT] (F)

| REF NO. | ORDER NO. | DESCRIPTION | QTY. |
|---------|------------|---------------------------------------|------|
| SP1 | 2510001480 | 4050P0802 | 1 |
| W1** | 8900014720 | OPC-909A (P1N10L110) | 1 |
| W2** | 8900014740 | OPC-885A (P1N10L39) | 1 |
| W3** | 8900014740 | OPC-885A (P1N10L39) | 1 |
| W4** | 8900018190 | OPC-1892A [USA] | 1 |
| | 8900018200 | OPC-1941 [EUR] | 1 |
| | 8900018200 | OPC-1941 [FRA] | 1 |
| | 8900018200 | OPC-1941 [ITR] | 1 |
| | 8900018200 | OPC-1941 [ESP] | 1 |
| | 8900018200 | OPC-1941 [EUR-01] | 1 |
| | 8900018190 | OPC-1892A [KOR] | 1 |
| | 8900018190 | OPC-1892A [CHN] | 1 |
| | 8900018190 | OPC-1892A [EXP] | 1 |
| EP1 | (Optional) | EX-2500 | 1 |
| EP3 | 6450001230 | HLJ0999-01-480 SNAP PLATE | 1 |
| MP1 | 8210024860 | 3015 FRONT PANEL ASSEMBLY | 1 |
| MP3 | 8830003210 | 3015 HEX NUT | 2 |
| MP5 | 8610013671 | KNOB N-375-1 | 1 |
| MP6 | 8610013610 | KNOB N-367 | 1 |
| MP7 | 8610013621 | KNOB N-368-1 | 1 |
| MP8 | 8610013630 | KNOB N-369 | 1 |
| MP9 | 8610013640 | KNOB N-370 | 1 |
| MP10 | 8610013651 | KNOB N-371-1 | 1 |
| MP11 | 8930075120 | 3015 FRONT PACKING (TOT) | 1 |
| MP12 | 8930074990 | 3015 17-KEY <SEP> | 1 |
| MP13 | 8930075000 | 3015 6-KEY <SEP> | 1 |
| MP15 | 8930076520 | 3015 A-VR RUBBER (TOT) | 1 |
| MP16 | 8820001490 | 3015 CAP SCREW | 8 |
| MP17 | 8930076510 | 3015 VR RUBBER (TOT) | 1 |
| MP18 | 8930074540 | O-RING (BU) | 1 |
| MP19 | 8930074350 | O-RING (BW) (TOP) | 8 |
| MP20 | 8930075160 | 3015 LENS (TOT) | 1 |
| MP21 | 8010021141 | 3015 SUB CHASSIS ASSEMBLY-1 | 1 |
| MP26 | 8930075150 | 3015 CONNECTOR SEAL (TOT) | 1 |
| MP27 | 8810008661 | PHBT M3 X 8 NI-ZC3 | 6 |
| MP28 | 8810008661 | PHBT M3 X 8 NI-ZC3 | 6 |
| MP32 | 8610013750 | KNOB N-366 ASSEMBLY | 1 |
| MP33 | 8930021220 | SPONGE (CP) | 1 |
| MP34 | 8930071830 | HIMELON SHEET (CS) | 1 |
| MP35 | 8930070300 | SPONGE (JD) | 1 |
| MP36 | 8930021220 | SPONGE (CP) | 1 |
| MP37 | 8930067980 | SHIELD SPONGE (AS) [EUR] | 1 |
| | 8930067980 | SHIELD SPONGE (AS) [FRA] | 1 |
| | 8930067980 | SHIELD SPONGE (AS) [ITR] | 1 |
| | 8930067980 | SHIELD SPONGE (AS) [ESP] | 1 |
| | 8930067980 | SHIELD SPONGE (AS) [EUR-01] | 1 |
| MP38 | 8930078390 | THERMAL SHEET (BQ) TC350HS-1.4 (8X20) | 1 |

[MIC UNIT] (MC)

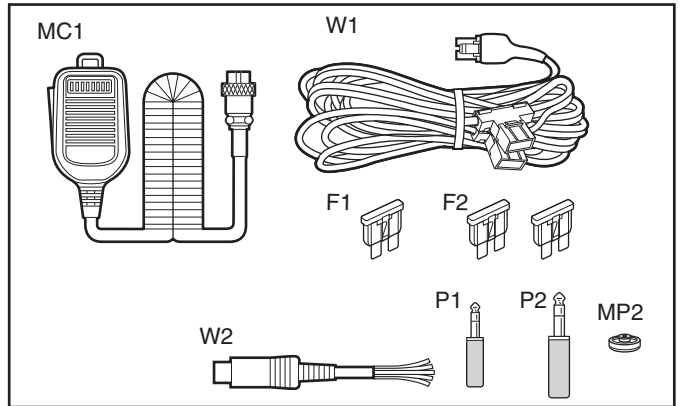
| REF NO. | ORDER NO. | DESCRIPTION | QTY. |
|---------|------------|-----------------|------|
| J1 | 6510000191 | FM214-8SS (P)-1 | 1 |
| J2* | 6510019971 | 52808-1071 | 1 |

[PHONE UNIT] (PH)

| REF NO. | ORDER NO. | DESCRIPTION | QTY. |
|---------|------------|-------------|------|
| J1 | 6510027890 | 01J0370-00 | 1 |
| J2* | 6510019971 | 52808-1071 | 1 |

[ACCESSORIES]

| REF NO. | ORDER NO. | DESCRIPTION | QTY. |
|---------|------------|---------------------|------|
| P1 | 5610000410 | AP-319 | 1 |
| P2 | 5610000420 | AP-338 (BK1) | 1 |
| F1 | 5210000840 | ATC-30 | 2 |
| F2 | 5210000940 | 1205 | 1 |
| MC1 | (Optional) | HM-36 | 1 |
| W1 | 8900021450 | OPC-1457-1 | 1 |
| W2 | 8900006110 | OPC-596 | 1 |
| MP2 | 8930076480 | 3015 JACK CAP (TOT) | 1 |



[LOGIC UNIT] (L)

| REF NO. | ORDER NO. | DESCRIPTION | QTY. |
|---------|------------|-------------------------|------|
| J1* | 6510018971 | B4B-PH-SM4-TB (LF) (SN) | 1 |
| J3* | 6510019971 | 52808-1071 | 1 |
| J4* | 6510019971 | 52808-1071 | 1 |
| J5* | 6510019971 | 52808-1071 | 1 |
| J101* | 6510024151 | 50FY-BMT-TB (LF) (SN) | 1 |
| J102* | 6510024151 | 50FY-BMT-TB (LF) (SN) | 1 |
| J301* | 6510019971 | 52808-1071 | 1 |
| DS1 | 5030003090 | S11325 <SUC> | 1 |
| EP2 | 8930076650 | SRCN-3015-SP-N-W (SHJ) | 2 |
| MP1 | 8210024710 | 3015 REFLECTOR | 1 |
| MP2 | 8930074390 | 3015 LCD HOLDER | 1 |
| MP3 | 8930075470 | 3015 LCD FILTER | 1 |

[VR-A UNIT] (VA)

| REF NO. | ORDER NO. | DESCRIPTION | QTY. |
|---------|------------|-------------------|------|
| J1* | 6510026670 | IMSA-6281S-06Y900 | 1 |

[VR-B UNIT] (VB)

| REF NO. | ORDER NO. | DESCRIPTION | QTY. |
|---------|------------|--------------------------|------|
| J1* | 6510020711 | 52793-1070 (1090) | 1 |
| S1 | 2250000640 | TP96D96E20-22F-10KB-3015 | 1 |

*: Refer to "BOARD LAYOUTS" for the location.

** : Refer to "GENERAL WIRING" for the connection

Screw abbreviations A, B0, BT: Self-tapping PH: Pan head ZK: Black NI-ZU: Nickel-Zinc SUS: Stainless

PARTS LIST

[MAIN UNIT]

| REF NO. | PARTS NO. | DESCRIPTION | M. | H/V LOCATION |
|---------|------------|----------------------------------|----|--------------|
| IC1 | 1110004310 | S.IC M62352GP 75EC | T | 17.3/40.6 |
| IC2 | 1110004310 | S.IC M62352GP 75EC | T | 6.5/23.0 |
| IC4 | 1110003800 | S.IC NJM2904V-TE1-#FMZB | T | 192.1/31.1 |
| IC521 | 1110005461 | S.IC TA4107F(TE12LF) | T | 144.9/38.6 |
| IC591 | 1130008511 | S.IC TC7W53FU(TE12LF) | T | 78.2/42.0 |
| IC671 | 1130014270 | S.IC TS5A2053DCTR | T | 70.9/36.0 |
| IC672 | 1130014260 | S.IC SN74LVC2GU04DCKR | T | 73.9/29.3 |
| IC1021 | 1130008511 | S.IC TC7W53FU(TE12LF) | T | 58.1/47.1 |
| IC1031 | 1110006570 | S.IC TS462CPT | T | 55.3/38.7 |
| IC1032 | 1130008511 | S.IC TC7W53FU(TE12LF) | T | 103.1/16.4 |
| IC1051 | 1110006570 | S.IC TS462CPT | T | 18.2/79.5 |
| IC1081 | 1130008511 | S.IC TC7W53FU(TE12LF) | T | 162.5/95.7 |
| IC1082 | 1130008511 | S.IC TC7W53FU(TE12LF) | T | 5.7/77.5 |
| IC1091 | 1110003091 | IC LA4425A-E | | |
| IC1501 | 1180003230 | S.REG TK68112AMFG0L | T | 31.0/73.0 |
| IC1511 | 1130012600 | S.IC SN74AHC1G04DCKR | T | 61.6/35.5 |
| IC1521 | 1180002020 | S.REG BA033FP-E2 | T | 27.0/84.7 |
| IC1531 | 1130014952 | S.IC AT26DF081A-SSU (SX-3015B-2) | T | 46.6/38.3 |
| IC1551 | 1140013590 | S.IC ADSP-BF532SBSTZ400 <FE> | T | 50.3/18.6 |
| IC1591 | 1130013560 | S.IC LY6L16416ML-15 | T | 78.5/17.1 |
| IC1601 | 1110006570 | S.IC TS462CPT | T | 44.5/46.9 |
| IC1621 | 1110006570 | S.IC TS462CPT | T | 38.9/55.7 |
| IC1641 | 1110006570 | S.IC TS462CPT | T | 50.1/55.7 |
| IC1661 | 1190003250 | S.IC AK4621EFP-E2 | T | 22.9/57.7 |
| IC1681 | 1130011820 | S.IC SN74LVC245APWR | T | 9.0/56.4 |
| IC1691 | 1130013590 | S.IC SN74AHC1G126DCKR | T | 32.2/25.5 |
| IC1692 | 1110004770 | S.IC BU9480F-E2 | T | 14.8/88.9 |
| IC1701 | 1110006570 | S.IC TS462CPT | T | 10.6/70.9 |
| IC2011 | 1110006870 | S.IC UPC2709TB-E3 | T | 71.8/80.1 |
| IC2041 | 1130012610 | S.IC SN74AHC1GU04DCKR | T | 72.9/69.7 |
| IC2042 | 1130013440 | S.IC SN74LVC2G74DCTR | T | 69.3/67.7 |
| IC2043 | 1190001811 | S.IC AD9833BRMZ-REEL7 <FE> | T | 74.4/58.7 |
| IC2091 | 1110006870 | S.IC UPC2709TB-E3 | T | 80.3/66.2 |
| IC2151 | 1110006870 | S.IC UPC2709TB-E3 | T | 41.5/77.1 |
| IC2501 | 1130012850 | S.IC SN74LVC3G34DCUR | T | 52.0/78.3 |
| IC2502 | 1130012781 | S.IC SN74AHC2G04HDCT3 | T | 51.4/82.8 |
| IC2503 | 1180003220 | S.REG TK68118AMFG0L | T | 37.1/82.0 |
| IC2541 | 1190002101 | S.IC AD9951YSVZ <FE> | T | 44.2/92.7 |
| IC2601 | 1110006870 | S.IC UPC2709TB-E3 | T | 97.1/93.6 |
| IC2701 | 1130011760 | S.IC CD4094BPWR | T | 103.2/80.5 |
| IC3201 | 1190002261 | S.IC USB2502-AEZG | T | 179.0/59.5 |
| IC3202 | 1190002240 | S.IC PCM2901E/2K <FE> | T | 177.3/39.9 |
| IC3203 | 1190002730 | S.IC CP2102-GMR <MAC> | T | 178.1/69.9 |
| IC3204 | 1130005721 | S.IC TC7W04F(TE12LF) | T | 171.1/70.6 |
| IC3205 | 1130010461 | S.IC TC7SH08FU(TE85LJF) | T | 169.0/61.9 |
| IC3206 | 1180003240 | S.REG TK68133AMFG0L | T | 193.6/59.0 |
| IC3207 | 1180003240 | S.REG TK68133AMFG0L | T | 188.0/59.0 |
| IC3242 | 1180003330 | REG TA7808F(Q) | | |
| Q1 | 1590001960 | S.TRA XP4311(TX) | T | 122.8/18.8 |
| Q2 | 1590001960 | S.TRA XP4311(TX) | T | 117.3/19.0 |
| Q01 | 1530002680 | S.TRA 2SC3357-T1 | T | 157.1/76.8 |
| Q502 | 1560000641 | S.FET 2SK1740-4/5-TB-E | T | 157.9/38.9 |
| Q503 | 1560000641 | S.FET 2SK1740-4/5-TB-E | T | 157.9/41.9 |
| Q504 | 1560000641 | S.FET 2SK1740-4/5-TB-E | T | 153.8/41.9 |
| Q505 | 1560000641 | S.FET 2SK1740-4/5-TB-E | T | 153.8/38.9 |
| Q506 | 1590001960 | S.TRA XP4311(TX) | T | 162.5/51.2 |
| Q521 | 1580000820 | S.FET 3SK264-5-TG-E | T | 142.3/50.9 |
| Q531 | 1530002371 | S.TRA 2SC2714-O(TE85RF) | T | 146.4/29.1 |
| Q551 | 1580000820 | S.FET 3SK264-5-TG-E | T | 134.3/49.7 |
| Q581 | 1580000820 | S.FET 3SK264-5-TG-E | T | 115.6/25.3 |
| Q611 | 1580000820 | S.FET 3SK264-5-TG-E | T | 89.7/32.0 |
| Q651 | 1530002060 | S.TRA 2SC4081 T106 R | T | 85.9/44.2 |
| Q652 | 1580000820 | S.FET 3SK264-5-TG-E | T | 92.4/50.3 |
| Q653 | 1580000820 | S.FET 3SK264-5-TG-E | T | 98.3/42.6 |
| Q654 | 1530002060 | S.TRA 2SC4081 T106 R | T | 87.6/56.2 |
| Q1531 | 1590001960 | S.TRA XP4311(TX) | T | 26.9/71.1 |
| Q2011 | 1530002371 | S.TRA 2SC2714-O(TE85RF) | T | 65.8/80.5 |
| Q2701 | 1590001960 | S.TRA XP4311(TX) | T | 145.4/92.5 |
| Q2702 | 1590001960 | S.TRA XP4311(TX) | T | 145.4/88.9 |
| Q2703 | 1590001960 | S.TRA XP4311(TX) | T | 145.4/79.0 |
| Q2704 | 1590001960 | S.TRA XP4311(TX) | T | 145.4/75.3 |
| Q3201 | 1590004390 | S.TRA DMG504010R | T | 164.5/70.9 |
| Q3202 | 1590001960 | S.TRA XP4311(TX) | T | 177.2/64.3 |
| D1 | 1790001251 | S.DIO MA2S1110GL | T | 192.3/35.2 |
| D31 | 1790001251 | S.DIO MA2S1110GL | T | 22.3/4.9 |
| D41 | 1790001251 | S.DIO MA2S1110GL | T | 18.6/1.6 |
| D501 | 1790001261 | S.DIO MA2S077G0L | T | 166.5/47.1 |
| D521 | 1790001261 | S.DIO MA2S077G0L | T | 155.7/60.1 |
| D522 | 1790001261 | S.DIO MA2S077G0L | T | 153.0/59.5 |
| D523 | 1790001261 | S.DIO MA2S077G0L | T | 148.1/25.9 |
| D524 | 1790001261 | S.DIO MA2S077G0L | T | 144.8/25.9 |
| D525 | 1790001261 | S.DIO MA2S077G0L | T | 148.3/44.7 |
| D551 | 1790001261 | S.DIO MA2S077G0L | T | 124.3/62.2 |
| D552 | 1790001261 | S.DIO MA2S077G0L | T | 123.3/59.7 |
| D553 | 1790001261 | S.DIO MA2S077G0L | T | 125.2/59.8 |
| D554 | 1790001261 | S.DIO MA2S077G0L | T | 124.4/44.2 |
| D571 | 1750000431 | S.DIO HSB88WSTR-E | T | 113.4/53.3 |

[MAIN UNIT]

| REF NO. | PARTS NO. | DESCRIPTION | M. | H/V LOCATION |
|---------|------------|-------------------------------------|----|--------------|
| D581 | 1790001261 | S.DIO MA2S077G0L | T | 118.5/39.8 |
| D582 | 1790001261 | S.DIO MA2S077G0L | T | 118.5/41.5 |
| D583 | 1790001261 | S.DIO MA2S077G0L | T | 112.3/30.6 |
| D584 | 1790001261 | S.DIO MA2S077G0L | T | 109.8/31.1 |
| D611 | 1790001261 | S.DIO MA2S077G0L | T | 93.4/35.7 |
| D621 | 1790001261 | S.DIO MA2S077G0L | T | 82.0/36.3 |
| D641 | 1790001261 | S.DIO MA2S077G0L | T | 96.0/38.0 |
| D671 | 1790001261 | S.DIO MA2S077G0L | T | 81.4/39.7 |
| D1082 | 1790001241 | S.DIO MA2S7280GL | T | 160.2/94.6 |
| D1084 | 1790001241 | S.DIO MA2S7280GL | T | 159.0/94.6 |
| D2572 | 1750000620 | S.DIO MA717WK(TX) | T | 80.0/94.5 |
| D2594 | 1790001621 | S.DIO 1SV308(TPL3F) | T | 54.0/94.5 |
| D2595 | 1790001621 | S.DIO 1SV308(TPL3F) | T | 71.2/98.6 |
| D2596 | 1790001621 | S.DIO 1SV308(TPL3F) | T | 71.2/97.4 |
| D2597 | 1790001621 | S.DIO 1SV308(TPL3F) | T | 67.9/93.2 |
| D2801 | 1790001621 | S.DIO 1SV308(TPL3F) | T | 115.6/98.6 |
| D2802 | 1790001621 | S.DIO 1SV308(TPL3F) | T | 141.1/97.2 |
| D2851 | 1790001621 | S.DIO 1SV308(TPL3F) | T | 115.8/92.8 |
| D2852 | 1790001621 | S.DIO 1SV308(TPL3F) | T | 141.1/90.4 |
| D2901 | 1790001621 | S.DIO 1SV308(TPL3F) | T | 115.8/86.0 |
| D2902 | 1790001621 | S.DIO 1SV308(TPL3F) | T | 141.1/83.6 |
| D2951 | 1790001621 | S.DIO 1SV308(TPL3F) | T | 115.8/79.2 |
| D2952 | 1790001621 | S.DIO 1SV308(TPL3F) | T | 141.2/76.8 |
| D2955 | 1720000811 | S.VAR HVC358BTRF-E | T | 133.0/54.5 |
| D2956 | 1720000811 | S.VAR HVC358BTRF-E | T | 135.2/43.5 |
| D3201 | 1790001241 | S.DIO MA2S7280GL | T | 174.8/62.6 |
| D3202 | 1790001241 | S.DIO MA2S7280GL | T | 173.6/62.3 |
| D3203 | 1790001251 | S.DIO MA2S1110GL | T | 164.4/74.3 |
| FI541 | 2010002720 | S.XTA DSF753SBF 64.455 MHz (FL-421) | T | 140.0/65.0 |
| FI601 | 2020001330 | CER CFWLA455KHFA-B0 (CFWS455HT) | | |
| X2011 | 6050012560 | S.XTA CR-770B DSA321SD 32 MHz | T | 62.8/79.6 |
| X3201 | 6050012780 | S.XTA CR-871 DSX321G 24 MHz<KDS> | T | 178.6/52.1 |
| X3202 | 6050012770 | S.XTA CR-870 DSX321G 12 MHz<KDS> | T | 177.2/32.3 |
| L1 | 6200007790 | S.COI LQW2BHNR15J03L | T | 141.6/22.7 |
| L2 | 6200002431 | S.COI NLV25T-082J | T | 144.5/23.2 |
| L63 | 6200002041 | S.COI NLV25T-101J | T | 161.3/21.6 |
| L501 | 6200003281 | S.COI NLV25T-2R2J | T | 161.5/77.4 |
| L503 | 6140002810 | S.COI LR-317 | T | 165.1/41.4 |
| L504 | 6140004680 | S.COI LR-528 4KBL | T | 155.0/29.8 |
| L505 | 6140004680 | S.COI LR-528 4KBL | T | 156.1/49.1 |
| L506 | 6200003261 | S.COI NLV32T-101J | T | 162.6/48.3 |
| L507 | 6200013240 | S.COI C2012C-R68J-A | T | 159.8/44.5 |
| L508 | 6200013240 | S.COI C2012C-R68J-A | T | 153.9/44.5 |
| L509 | 6200007760 | S.COI LQW2BHNR82NJ03L | T | 154.7/55.0 |
| L510 | 6200007800 | S.COI LQW2BHNR18J03L | T | 157.5/55.8 |
| L511 | 6200002041 | S.COI NLV25T-101J | T | 161.8/59.1 |
| L517 | 6200002631 | S.COI NLV25T-R10J | T | 160.3/72.0 |
| L521 | 6200009861 | S.COI NLV25T-1R5J | T | 141.7/45.4 |
| L522 | 6200003261 | S.COI NLV32T-101J | T | 140.1/28.9 |
| L523 | 6200003261 | S.COI NLV32T-101J | T | 149.6/52.5 |
| L524 | 6200005011 | S.COI NLV25T-100J | T | 141.3/57.6 |
| L525 | 6200002041 | S.COI NLV25T-101J | T | 141.6/34.2 |
| L526 | 6200003261 | S.COI NLV32T-101J | T | 163.1/56.3 |
| L527 | 6200002181 | S.COI NLV25T-R12J | T | 156.2/63.9 |
| L528 | 6200002041 | S.COI NLV25T-101J | T | 141.6/37.0 |
| L529 | 6200002041 | S.COI NLV25T-101J | T | 139.0/41.1 |
| L530 | 6200003261 | S.COI NLV32T-101J | T | 151.3/21.6 |
| L534 | 6200003261 | S.COI NLV32T-101J | T | 148.9/32.8 |
| L541 | 6140004710 | S.COI LR-531 4KBL-S070834 | T | 149.9/64.4 |
| L542 | 6140004710 | S.COI LR-531 4KBL-S070834 | T | 130.2/63.8 |
| L549 | 6200002631 | S.COI NLV25T-R10J | T | 148.3/40.0 |
| L551 | 6150005440 | COI LS-555 7K7-S080614B | | |
| L552 | 6150005440 | COI LS-555 7K7-S080614B | | |
| L571 | 6140004680 | S.COI LR-528 4KBL | T | 119.1/53.3 |
| L572 | 6140002810 | S.COI LR-317 | T | 106.4/53.3 |
| L581 | 6150005420 | COI LS-554 7QM | | |
| L582 | 6200003520 | S.COI ELJFB 102K-F | T | 109.3/25.5 |
| L583 | 6150005410 | COI LS-553 7QM | | |
| L585 | 6200003520 | S.COI ELJFB 102K-F | T | 91.4/42.9 |
| L586 | 6200003261 | S.COI NLV32T-101J | T | 69.0/42.5 |
| L600 | 6200003520 | S.COI ELJFB 102K-F | T | 72.2/45.9 |
| L603 | 6200002601 | S.COI NLV25T-047J | T | 167.1/54.4 |
| L604 | 6200002421 | S.COI NLV25T-068J | T | 166.5/50.6 |
| L615 | 6200003520 | S.COI ELJFB 102K-F | T | 93.1/28.5 |
| L651 | 6200003520 | S.COI ELJFB 102K-F | T | 97.0/48.8 |
| L652 | 6200003520 | S.COI ELJFB 102K-F | T | 85.3/49.6 |
| L671 | 6200003261 | S.COI NLV32T-101J | T | 69.9/30.0 |
| L672 | 6200005521 | S.COI NLV25T-470J | T | 79.1/30.9 |
| L673 | 6140004680 | S.COI LR-528 4KBL | T | 77.5/36.2 |
| L1021 | 6200003261 | S.COI NLV32T-101J | T | 58.0/52.8 |
| L1031 | 6200003261 | S.COI NLV32T-101J | T | 110.2/19.7 |
| L1081 | 6200002041 | S.COI NLV25T-101J | T | 166.4/91.5 |
| L1082 | 6200002041 | S.COI NLV25T-101J | T | 3.2/81.3 |

Eqv.= This component is equivalent to the REF No. component listed above, and may be substituted on parts orders and repairs.

M.=Mounted side (T: Mounted on the Top side, B: Mounted on the Bottom side) S.=Surface mount

[MAIN UNIT]

| REF NO. | PARTS NO. | DESCRIPTION | M. | H/V LOCATION |
|---------|------------|--------------------------|----|--------------|
| L1091 | 6140002220 | COI LR-270 (TR6X3X2 3A9) | | |
| L1531 | 6200005011 | S.COI NLV25T-100J | T | 40.3/43.7 |
| L1532 | 6200002041 | S.COI NLV25T-101J | T | 23.8/71.4 |
| L1591 | 6200003261 | S.COI NLV32T-101J | T | 69.3/8.2 |
| L1661 | 6200005011 | S.COI NLV25T-100J | T | 17.4/60.2 |
| L1662 | 6200005011 | S.COI NLV25T-100J | T | 18.8/51.3 |
| L1681 | 6200005011 | S.COI NLV25T-100J | T | 12.0/51.6 |
| L1691 | 6200005011 | S.COI NLV25T-100J | T | 32.0/23.0 |
| L1692 | 6200005011 | S.COI NLV25T-100J | T | 22.3/89.7 |
| L2011 | 6200005011 | S.COI NLV25T-100J | T | 71.8/77.3 |
| L2012 | 6200005011 | S.COI NLV25T-100J | T | 67.3/83.6 |
| L2013 | 6200005011 | S.COI NLV25T-100J | T | 60.1/83.0 |
| L2014 | 6200005011 | S.COI NLV25T-100J | T | 69.6/74.7 |
| L2021 | 6200007800 | S.COI LQW2BHNR18J03L | T | 63.7/58.9 |
| L2022 | 6200002841 | S.COI NLV25T-R22J | T | 60.9/58.1 |
| L2041 | 6200005011 | S.COI NLV25T-100J | T | 73.9/64.7 |
| L2042 | 6200005011 | S.COI NLV25T-100J | T | 68.4/53.2 |
| L2043 | 6200005031 | S.COI NLV25T-180J | T | 68.6/60.3 |
| L2044 | 6200005521 | S.COI NLV25T-470J | T | 66.7/57.5 |
| L2061 | 6200002581 | S.COI NLV25T-033J | T | 62.5/67.1 |
| L2071 | 6200002631 | S.COI NLV25T-R10J | T | 80.9/78.2 |
| L2072 | 6200002431 | S.COI NLV25T-082J | T | 83.8/77.9 |
| L2073 | 6200002431 | S.COI NLV25T-082J | T | 87.3/79.4 |
| L2074 | 6200002631 | S.COI NLV25T-R10J | T | 88.1/72.9 |
| L2075 | 6200002631 | S.COI NLV25T-R10J | T | 87.0/70.0 |
| L2091 | 6200009861 | S.COI NLV25T-1R5J | T | 77.5/65.7 |
| L2101 | 6200002181 | S.COI NLV25T-R12J | T | 94.3/64.0 |
| L2102 | 6200002631 | S.COI NLV25T-R10J | T | 97.1/63.2 |
| L2131 | 6200002591 | S.COI NLV25T-039J | T | 51.4/67.7 |
| L2132 | 6200003891 | S.COI NLV25T-027J | T | 48.6/67.3 |
| L2133 | 6200003891 | S.COI NLV25T-027J | T | 45.8/67.7 |
| L2134 | 6200003891 | S.COI NLV25T-027J | T | 41.0/67.7 |
| L2135 | 6200003891 | S.COI NLV25T-027J | T | 38.2/68.1 |
| L2136 | 6200002581 | S.COI NLV25T-033J | T | 37.6/72.5 |
| L2151 | 6200002611 | S.COI NLV25T-R47J | T | 41.5/79.7 |
| L2152 | 6200002581 | S.COI NLV25T-033J | T | 45.2/80.5 |
| L2153 | 6200002581 | S.COI NLV25T-033J | T | 46.6/83.8 |
| L2501 | 6200005011 | S.COI NLV25T-100J | T | 55.4/85.0 |
| L2560 | 6200002431 | S.COI NLV25T-082J | T | 40.6/83.6 |
| L2561 | 6140002810 | S.COI LR-317 | T | 60.0/91.9 |
| L2563 | 6200002181 | S.COI NLV25T-R12J | T | 65.3/93.4 |
| L2564 | 6200002181 | S.COI NLV25T-R12J | T | 65.7/98.7 |
| L2566 | 6140002810 | S.COI LR-317 | T | 74.2/92.6 |
| L2571 | 6200002601 | S.COI NLV25T-047J | T | 83.3/91.0 |
| L2572 | 6200007790 | S.COI LQW2BHNR15J03L | T | 82.7/93.9 |
| L2573 | 6200002431 | S.COI NLV25T-082J | T | 84.8/97.0 |
| L2574 | 6200002431 | S.COI NLV25T-082J | T | 87.6/95.9 |
| L2594 | 6200007790 | S.COI LQW2BHNR15J03L | T | 53.6/91.5 |
| L2601 | 6200002411 | S.COI NLV25T-056J | T | 105.7/94.5 |
| L2602 | 6200009861 | S.COI NLV25T-1R5J | T | 99.9/93.3 |
| L2603 | 6200002421 | S.COI NLV25T-068J | T | 102.7/94.0 |
| L2606 | 6200002041 | S.COI NLV25T-101J | T | 136.8/5.1 |
| L2701 | 6200002041 | S.COI NLV25T-101J | T | 104.9/86.2 |
| L2711 | 6200002181 | S.COI NLV25T-R12J | T | 108.5/93.7 |
| L2712 | 6200002611 | S.COI NLV25T-R47J | T | 107.4/90.8 |
| L2713 | 6200002181 | S.COI NLV25T-R12J | T | 142.7/99.1 |
| L2714 | 6200002611 | S.COI NLV25T-R47J | T | 145.6/98.6 |
| L2715 | 6200002411 | S.COI NLV25T-056J | T | 152.4/80.8 |
| L2801 | 6200002611 | S.COI NLV25T-R47J | T | 114.7/96.4 |
| L2802 | 6200002431 | S.COI NLV25T-082J | T | 126.7/96.5 |
| L2803 | 6200002631 | S.COI NLV25T-R10J | T | 118.0/96.1 |
| L2804 | 6200002431 | S.COI NLV25T-082J | T | 121.1/95.3 |
| L2805 | 6200002181 | S.COI NLV25T-R12J | T | 123.9/96.2 |
| L2806 | 6200002631 | S.COI NLV25T-R10J | T | 129.5/97.3 |
| L2807 | 6200002631 | S.COI NLV25T-R10J | T | 133.0/99.1 |
| L2808 | 6200002611 | S.COI NLV25T-R47J | T | 139.3/94.9 |
| L2851 | 6200002611 | S.COI NLV25T-R47J | T | 115.8/90.8 |
| L2852 | 6200002421 | S.COI NLV25T-068J | T | 127.4/89.7 |
| L2853 | 6200002421 | S.COI NLV25T-068J | T | 118.6/89.4 |
| L2854 | 6200002421 | S.COI NLV25T-068J | T | 121.3/88.5 |
| L2855 | 6200002631 | S.COI NLV25T-R10J | T | 124.7/90.8 |
| L2856 | 6200002431 | S.COI NLV25T-082J | T | 130.2/91.3 |
| L2857 | 6200002431 | S.COI NLV25T-082J | T | 132.9/92.3 |
| L2858 | 6200002611 | S.COI NLV25T-R47J | T | 139.3/88.1 |
| L2859 | 6200007790 | S.COI LQW2BHNR15J03L | T | 136.7/86.4 |
| L2901 | 6200002611 | S.COI NLV25T-R47J | T | 115.8/84.1 |
| L2902 | 6200002411 | S.COI NLV25T-056J | T | 127.4/82.9 |
| L2903 | 6200002421 | S.COI NLV25T-068J | T | 118.7/82.5 |
| L2904 | 6200002411 | S.COI NLV25T-056J | T | 121.8/81.7 |
| L2905 | 6200002431 | S.COI NLV25T-082J | T | 124.6/83.7 |
| L2906 | 6200002421 | S.COI NLV25T-068J | T | 130.2/84.5 |
| L2907 | 6200002421 | S.COI NLV25T-068J | T | 133.0/85.5 |
| L2908 | 6200002611 | S.COI NLV25T-R47J | T | 139.3/81.3 |
| L2951 | 6200002611 | S.COI NLV25T-R47J | T | 115.8/77.3 |
| L2952 | 6200002411 | S.COI NLV25T-056J | T | 118.7/74.6 |
| L2953 | 6200002601 | S.COI NLV25T-047J | T | 121.8/76.1 |
| L2954 | 6200002421 | S.COI NLV25T-068J | T | 124.6/75.8 |
| L2955 | 6200002411 | S.COI NLV25T-056J | T | 127.4/76.1 |
| L2956 | 6200002421 | S.COI NLV25T-068J | T | 130.2/77.7 |
| L2957 | 6200002411 | S.COI NLV25T-056J | T | 133.0/78.7 |
| L2958 | 6200002611 | S.COI NLV25T-R47J | T | 139.3/74.5 |
| L2962 | 6200002041 | S.COI NLV25T-101J | T | 185.7/12.7 |
| L2963 | 6200002041 | S.COI NLV25T-101J | T | 189.1/12.7 |
| L2964 | 6200002041 | S.COI NLV25T-101J | T | 143.5/4.7 |
| L2965 | 6200002041 | S.COI NLV25T-101J | T | 146.2/4.1 |
| L2966 | 6200002041 | S.COI NLV25T-101J | T | 177.6/4.9 |
| L2967 | 6200002041 | S.COI NLV25T-101J | T | 178.9/7.4 |
| L2968 | 6200002041 | S.COI NLV25T-101J | T | 172.3/2.0 |

Eqv.= This component is equivalent to the REF No. component listed above, and may be substituted on parts orders and repairs.

[MAIN UNIT]

| REF NO. | PARTS NO. | DESCRIPTION | M. | H/V LOCATION |
|---------|------------|-----------------------------|----|--------------|
| L2969 | 6200002041 | S.COI NLV25T-101J | T | 172.7/4.5 |
| L2970 | 6200002041 | S.COI NLV25T-101J | T | 166.3/3.6 |
| L2975 | 6200002041 | S.COI NLV25T-101J | T | 189.1/15.2 |
| L2977 | 6200002041 | S.COI NLV25T-101J | T | 182.7/7.9 |
| L2979 | 6200002041 | S.COI NLV25T-101J | T | 89.6/10.7 |
| L2980 | 6200002041 | S.COI NLV25T-101J | T | 94.9/3.7 |
| L2981 | 6200002041 | S.COI NLV25T-101J | T | 98.3/3.1 |
| L2982 | 6200002041 | S.COI NLV25T-101J | T | 89.6/13.2 |
| L2983 | 6200002041 | S.COI NLV25T-101J | T | 84.7/2.7 |
| L2984 | 6200002041 | S.COI NLV25T-101J | T | 88.1/2.7 |
| L2985 | 6200002041 | S.COI NLV25T-101J | T | 91.5/2.7 |
| L2986 | 6200009861 | S.COI NLV25T-1R5J | T | 117.3/47.4 |
| L2987 | 6200009861 | S.COI NLV25T-1R5J | T | 120.5/45.3 |
| R1 | 7030003320 | S.RES ERJ3GEYJ 101 V (100) | T | 179.3/23.5 |
| R2 | 7030003590 | S.RES ERJ3GEYJ 183 V (18K) | T | 186.4/30.5 |
| R3 | 7030003440 | S.RES ERJ3GEYJ 102 V (1K) | T | 29.5/31.4 |
| R4 | 7030003320 | S.RES ERJ3GEYJ 101 V (100) | T | 17.7/17.2 |
| R5 | 7030003440 | S.RES ERJ3GEYJ 102 V (1K) | T | 29.5/29.0 |
| R6 | 7030003440 | S.RES ERJ3GEYJ 102 V (1K) | T | 29.5/30.2 |
| R7 | 7030003440 | S.RES ERJ3GEYJ 102 V (1K) | T | 20.2/22.7 |
| R8 | 7030003440 | S.RES ERJ3GEYJ 102 V (1K) | T | 28.1/35.8 |
| R9 | 7030003440 | S.RES ERJ3GEYJ 102 V (1K) | T | 28.1/37.1 |
| R10 | 7030003440 | S.RES ERJ3GEYJ 102 V (1K) | T | 28.1/38.3 |
| R11 | 7030003440 | S.RES ERJ3GEYJ 102 V (1K) | T | 19.8/32.8 |
| R12 | 7030003440 | S.RES ERJ3GEYJ 102 V (1K) | T | 20.3/35.2 |
| R13 | 7030003440 | S.RES ERJ3GEYJ 102 V (1K) | T | 17.1/35.8 |
| R14 | 7030003440 | S.RES ERJ3GEYJ 102 V (1K) | T | 28.1/32.6 |
| R15 | 7030003440 | S.RES ERJ3GEYJ 102 V (1K) | T | 28.4/34.0 |
| R16 | 7030003360 | S.RES ERJ3GEYJ 221 V (220) | T | 4.8/32.7 |
| R17 | 7030003800 | S.RES ERJ3GEYJ 105 V (1M) | T | 19.1/5.6 |
| R18 | 7030003360 | S.RES ERJ3GEYJ 221 V (220) | T | 7.4/39.0 |
| R19 | 7030003590 | S.RES ERJ3GEYJ 183 V (18K) | T | 186.9/29.3 |
| R20 | 7030003830 | S.RES ERJ3GEYJ 185 V (1.8M) | T | 188.3/28.1 |
| R21 | 7030003860 | S.RES ERJ3GE JPW V | T | 20.3/6.8 |
| R22 | 7030003860 | S.RES ERJ3GE JPW V | T | 190.9/28.3 |
| R23 | 7030003830 | S.RES ERJ3GEYJ 185 V (1.8M) | T | 186.9/31.7 |
| R24 | 7030003860 | S.RES ERJ3GE JPW V | T | 186.9/34.1 |
| R25 | 7030009591 | S.RES ERA3YED 472V (4.7K) | T | 189.6/34.1 |
| R26 | 7030007230 | S.RES ERA3YED 102V (1K) | T | 189.6/35.3 |
| R27 | 7030009591 | S.RES ERA3YED 472V (4.7K) | T | 189.6/36.6 |
| R28 | 7030003400 | S.RES ERJ3GEYJ 471 V (470) | T | 190.3/24.3 |
| R29 | 7030003680 | S.RES ERJ3GEYJ 104 V (100K) | T | 193.5/28.4 |
| R30 | 7030005691 | S.RES ERA3YED 123V (12K) | T | 192.5/27.1 |
| R31 | 7030003800 | S.RES ERJ3GEYJ 105 V (1M) | T | 19.1/4.4 |
| R32 | 7030003320 | S.RES ERJ3GEYJ 101 V (100) | T | 195.6/33.8 |
| R33 | 7030003660 | S.RES ERJ3GEYJ 683 V (68K) | T | 195.1/27.1 |
| R34 | 7030003660 | S.RES ERJ3GEYJ 683 V (68K) | T | 195.1/25.8 |
| R35 | 7030003440 | S.RES ERJ3GEYJ 102 V (1K) | T | 29.5/27.8 |
| R36 | 7030003500 | S.RES ERJ3GEYJ 332 V (3.3K) | T | 12.3/11.7 |
| R37 | 7030003640 | S.RES ERJ3GEYJ 473 V (47K) | T | 9.4/14.4 |
| R38 | 7030003360 | S.RES ERJ3GEYJ 221 V (220) | T | 6.1/44.5 |
| R39 | 7030003440 | S.RES ERJ3GEYJ 102 V (1K) | T | 8.7/43.3 |
| R40 | 7030003800 | S.RES ERJ3GEYJ 105 V (1M) | T | 16.5/5.6 |
| R41 | 7030003800 | S.RES ERJ3GEYJ 105 V (1M) | T | 16.5/4.4 |
| R42 | 7030003560 | S.RES ERJ3GEYJ 103 V (10K) | T | 24.1/4.3 |
| R500 | 7030004040 | S.RES ERJ3GEYJ 4R7 V (4.7) | T | 154.6/74.0 |
| R501 | 7030003440 | S.RES ERJ3GEYJ 102 V (1K) | T | 164.7/45.3 |
| R502 | 7030003420 | S.RES ERJ3GEYJ 681 V (680) | T | 158.9/90.1 |
| R503 | 7030003420 | S.RES ERJ3GEYJ 681 V (680) | T | 153.1/76.4 |
| R504 | 7030003470 | S.RES ERJ3GEYJ 182 V (1.8K) | T | 156.3/80.1 |
| R505 | 7030003240 | S.RES ERJ3GEYJ 220 V (22) | T | 153.8/72.8 |
| R506 | 7030003860 | S.RES ERJ3GE JPW V | T | 164.9/37.7 |
| R507 | 7030003560 | S.RES ERJ3GEYJ 103 V (10K) | T | 156.8/44.5 |
| R508 | 7030003400 | S.RES ERJ3GEYJ 471 V (470) | T | 160.9/41.1 |
| R509 | 7030003430 | S.RES ERJ3GEYJ 821 V (820) | T | 157.6/34.5 |
| R510 | 7030003430 | S.RES ERJ3GEYJ 821 V (820) | T | 152.4/34.0 |
| R512 | 7030003440 | S.RES ERJ3GEYJ 102 V (1K) | T | 158.3/58.0 |
| R515 | 7030003390 | S.RES ERJ3GEYJ 391 V (390) | T | 150.2/47.4 |
| R516 | 7030003440 | S.RES ERJ3GEYJ 102 V (1K) | T | 148.7/46.2 |
| R520 | 7030003360 | S.RES ERJ3GEYJ 221 V (220) | T | 141.4/38.9 |
| R521 | 7030003860 | S.RES ERJ3GE JPW V | T | 141.4/43.5 |
| R522 | 7030003560 | S.RES ERJ3GEYJ 103 V (10K) | T | 142.1/48.6 |
| R523 | 7030003610 | S.RES ERJ3GEYJ 273 V (27K) | T | 145.2/52.6 |
| R524 | 7030003320 | S.RES ERJ3GEYJ 101 V (100) | T | 144.7/45.4 |
| R525 | 7030003340 | S.RES ERJ3GEYJ 151 V (150) | T | 142.1/55.7 |
| R526 | 7030003500 | S.RES ERJ3GEYJ 332 V (3.3K) | T | 142.1/53.3 |
| R527 | 7030003320 | S.RES ERJ3GEYJ 101 V (100) | T | 148.9/55.1 |
| R528 | 7510001541 | S.THE NTG16 4BH 332J | T | 145.2/53.9 |
| R529 | 7030003440 | S.RES ERJ3GEYJ 102 V (1K) | T | 145.2/55.1 |
| R530 | 7030003440 | S.RES ERJ3GEYJ 102 V (1K) | T | 141.9/26.2 |
| R531 | 7030003260 | S.RES ERJ3GEYJ 330 V (33) | T | 145.2/49.0 |
| R532 | 7030003560 | S.RES ERJ3GEYJ 103 V (10K) | T | 145.2/51.4 |
| R533 | 7030003440 | S.RES ERJ3GEYJ 102 V (1K) | T | 168.3/45.6 |
| R534 | 7030003280 | S.RES ERJ3GEYJ 470 V (47) | T | 155.4/61.7 |
| R535 | 7030003400 | S.RES ERJ3GEYJ 471 V (470) | T | 150.5/23.8 |
| | | | | |

[MAIN UNIT]

| REF NO. | PARTS NO. | DESCRIPTION | M. | H/V LOCATION |
|---------|------------|-----------------------------|----|--------------|
| R552 | 7030003530 | S.RES ERJ3GEYJ 562 V (5.6K) | T | 135.8/58.1 |
| R553 | 7030003480 | S.RES ERJ3GEYJ 222 V (2.2K) | T | 135.6/52.1 |
| R554 | 7030003640 | S.RES ERJ3GEYJ 473 V (47K) | T | 131.3/49.8 |
| R555 | 7030003260 | S.RES ERJ3GEYJ 330 V (33K) | T | 137.3/49.5 |
| R556 | 7030003560 | S.RES ERJ3GEYJ 103 V (10K) | T | 134.6/47.3 |
| R557 | 7030003320 | S.RES ERJ3GEYJ 101 V (10K) | T | 127.1/46.8 |
| R558 | 7030003440 | S.RES ERJ3GEYJ 102 V (1K) | T | 124.8/40.2 |
| R559 | 7030003860 | S.RES ERJ3GE JPW V | T | 133.0/52.1 |
| R560 | 7030003440 | S.RES ERJ3GEYJ 102 V (1K) | T | 121.4/60.7 |
| R574 | 7030003440 | S.RES ERJ3GEYJ 102 V (1K) | T | 117.7/43.1 |
| R575 | 7030003440 | S.RES ERJ3GEYJ 102 V (1K) | T | 118.0/58.4 |
| R581 | 7030003660 | S.RES ERJ3GEYJ 683 V (68K) | T | 112.6/24.2 |
| R582 | 7030003440 | S.RES ERJ3GEYJ 102 V (1K) | T | 124.7/35.6 |
| R583 | 7030003320 | S.RES ERJ3GEYJ 101 V (10K) | T | 126.1/34.4 |
| R584 | 7030003480 | S.RES ERJ3GEYJ 222 V (2.2K) | T | 121.2/23.1 |
| R585 | 7030003560 | S.RES ERJ3GEYJ 103 V (10K) | T | 118.6/24.3 |
| R586 | 7030003520 | S.RES ERJ3GEYJ 472 V (4.7K) | T | 112.6/25.4 |
| R587 | 7510001671 | S.THR NTCG16 4BH 103JT | T | 112.6/26.6 |
| R588 | 7030003470 | S.RES ERJ3GEYJ 182 V (1.8K) | T | 111.0/29.0 |
| R589 | 7030003260 | S.RES ERJ3GEYJ 330 V (33K) | T | 115.2/29.0 |
| R590 | 7030003610 | S.RES ERJ3GEYJ 273 V (27K) | T | 114.1/23.0 |
| R591 | 7030003440 | S.RES ERJ3GEYJ 102 V (1K) | T | 113.1/33.5 |
| R592 | 7030003520 | S.RES ERJ3GEYJ 472 V (4.7K) | T | 110.6/34.6 |
| R594 | 7030003520 | S.RES ERJ3GEYJ 472 V (4.7K) | T | 93.9/39.0 |
| R596 | 7030003440 | S.RES ERJ3GEYJ 102 V (1K) | T | 71.7/46.8 |
| R597 | 7510001451 | S.THR NTCG16 4BH 472JT | T | 89.1/46.7 |
| R598 | 7030003400 | S.RES ERJ3GEYJ 471 V (47K) | T | 79.1/48.0 |
| R601 | 7030003520 | S.RES ERJ3GEYJ 472 V (4.7K) | T | 107.7/29.0 |
| R602 | 7030003520 | S.RES ERJ3GEYJ 472 V (4.7K) | T | 98.0/37.0 |
| R611 | 7030003520 | S.RES ERJ3GEYJ 472 V (4.7K) | T | 91.8/37.5 |
| R614 | 7030003280 | S.RES ERJ3GEYJ 470 V (47K) | T | 89.9/26.2 |
| R617 | 7030003860 | S.RES ERJ3GE JPW V | T | 93.3/34.1 |
| R618 | 7030003560 | S.RES ERJ3GEYJ 103 V (10K) | T | 90.0/29.6 |
| R619 | 7030003260 | S.RES ERJ3GEYJ 330 V (33K) | T | 90.2/35.7 |
| R620 | 7030003600 | S.RES ERJ3GEYJ 223 V (22K) | T | 86.8/33.2 |
| R621 | 7030003640 | S.RES ERJ3GEYJ 473 V (47K) | T | 87.3/35.6 |
| R622 | 7030003860 | S.RES ERJ3GE JPW V | T | 86.8/34.4 |
| R623 | 7030003560 | S.RES ERJ3GEYJ 103 V (10K) | T | 86.3/29.7 |
| R624 | 7030003400 | S.RES ERJ3GEYJ 471 V (47K) | T | 86.3/30.9 |
| R652 | 7030003280 | S.RES ERJ3GEYJ 470 V (47K) | T | 87.4/42.2 |
| R653 | 7030003400 | S.RES ERJ3GEYJ 471 V (47K) | T | 85.9/41.0 |
| R654 | 7030003610 | S.RES ERJ3GEYJ 273 V (27K) | T | 88.3/45.6 |
| R655 | 7030003640 | S.RES ERJ3GEYJ 473 V (47K) | T | 88.3/46.8 |
| R656 | 7030003480 | S.RES ERJ3GEYJ 222 V (2.2K) | T | 94.1/53.1 |
| R657 | 7030003480 | S.RES ERJ3GEYJ 222 V (2.2K) | T | 92.6/55.5 |
| R658 | 7030003480 | S.RES ERJ3GEYJ 222 V (2.2K) | T | 88.3/51.2 |
| R659 | 7030003320 | S.RES ERJ3GEYJ 101 V (10K) | T | 88.3/52.4 |
| R660 | 7510001541 | S.THR NTCG16 4BH 332JT | T | 96.7/54.3 |
| R661 | 7030003560 | S.RES ERJ3GEYJ 103 V (10K) | T | 89.0/59.6 |
| R662 | 7030003560 | S.RES ERJ3GEYJ 103 V (10K) | T | 90.0/56.2 |
| R663 | 7510001541 | S.THR NTCG16 4BH 332JT | T | 94.1/54.3 |
| R664 | 7030003280 | S.RES ERJ3GEYJ 470 V (47K) | T | 95.0/46.3 |
| R665 | 7030003520 | S.RES ERJ3GEYJ 472 V (4.7K) | T | 99.6/45.1 |
| R666 | 7030003320 | S.RES ERJ3GEYJ 101 V (10K) | T | 95.5/42.7 |
| R667 | 7030003520 | S.RES ERJ3GEYJ 472 V (4.7K) | T | 101.3/42.0 |
| R668 | 7030003670 | S.RES ERJ3GEYJ 823 V (82K) | T | 96.6/40.3 |
| R669 | 7030003620 | S.RES ERJ3GEYJ 333 V (33K) | T | 100.5/39.1 |
| R670 | 7510001541 | S.THR NTCG16 4BH 332JT | T | 95.5/43.9 |
| R671 | 7030003260 | S.RES ERJ3GEYJ 330 V (33K) | T | 92.4/48.0 |
| R672 | 7030003400 | S.RES ERJ3GEYJ 471 V (47K) | T | 88.9/53.6 |
| R674 | 7030003860 | S.RES ERJ3GE JPW V | T | 84.8/42.2 |
| R675 | 7030003400 | S.RES ERJ3GEYJ 471 V (47K) | T | 82.2/42.2 |
| R676 | 7030003520 | S.RES ERJ3GEYJ 472 V (4.7K) | T | 66.9/32.1 |
| R677 | 7030003520 | S.RES ERJ3GEYJ 472 V (4.7K) | T | 66.9/33.3 |
| R678 | 7030003480 | S.RES ERJ3GEYJ 222 V (2.2K) | T | 70.9/39.5 |
| R679 | 7030003480 | S.RES ERJ3GEYJ 222 V (2.2K) | T | 73.5/39.5 |
| R680 | 7030003400 | S.RES ERJ3GEYJ 471 V (47K) | T | 82.4/34.5 |
| R681 | 7030003680 | S.RES ERJ3GEYJ 104 V (100K) | T | 74.4/27.4 |
| R682 | 7030003440 | S.RES ERJ3GEYJ 102 V (1K) | T | 74.4/26.2 |
| R684 | 7030003530 | S.RES ERJ3GEYJ 562 V (5.6K) | T | 95.4/51.3 |
| R685 | 7030004040 | S.RES ERJ3GEYJ 4R7 V (4.7K) | T | 78.9/26.8 |
| R686 | 7030003440 | S.RES ERJ3GEYJ 102 V (1K) | T | 78.2/28.7 |
| R687 | 7030003440 | S.RES ERJ3GEYJ 102 V (1K) | T | 77.0/27.4 |
| R1021 | 7030003520 | S.RES ERJ3GEYJ 472 V (4.7K) | T | 56.7/50.7 |
| R1022 | 7030003520 | S.RES ERJ3GEYJ 472 V (4.7K) | T | 56.7/49.5 |
| R1023 | 7030003320 | S.RES ERJ3GEYJ 101 V (10K) | T | 59.3/50.7 |
| R1024 | 7030003640 | S.RES ERJ3GEYJ 473 V (47K) | T | 54.5/48.5 |
| R1025 | 7030003640 | S.RES ERJ3GEYJ 473 V (47K) | T | 63.6/45.6 |
| R1026 | 7030003640 | S.RES ERJ3GEYJ 473 V (47K) | T | 60.6/39.6 |
| R1031 | 7030003420 | S.RES ERJ3GEYJ 681 V (68K) | T | 107.6/17.5 |
| R1032 | 7030003560 | S.RES ERJ3GEYJ 103 V (10K) | T | 110.9/16.4 |
| R1033 | 7030003520 | S.RES ERJ3GEYJ 472 V (4.7K) | T | 50.1/44.2 |
| R1034 | 7030003860 | S.RES ERJ3GE JPW V | T | 52.7/45.4 |
| R1035 | 7030003680 | S.RES ERJ3GEYJ 104 V (100K) | T | 51.9/41.8 |
| R1036 | 7030003320 | S.RES ERJ3GEYJ 101 V (10K) | T | 61.7/41.1 |
| R1037 | 7030003680 | S.RES ERJ3GEYJ 104 V (100K) | T | 62.5/38.8 |
| R1038 | 7030003320 | S.RES ERJ3GEYJ 101 V (10K) | T | 106.9/19.9 |
| R1039 | 7030003640 | S.RES ERJ3GEYJ 473 V (47K) | T | 100.3/18.4 |
| R1040 | 7030003640 | S.RES ERJ3GEYJ 473 V (47K) | T | 102.9/18.9 |
| R1041 | 7030003460 | S.RES ERJ3GEYJ 152 V (1.5K) | T | 110.9/15.2 |
| R1042 | 7030003560 | S.RES ERJ3GEYJ 103 V (10K) | T | 110.9/14.0 |
| R1043 | 7030003620 | S.RES ERJ3GEYJ 333 V (33K) | T | 50.9/37.0 |
| R1044 | 7030003640 | S.RES ERJ3GEYJ 473 V (47K) | T | 56.1/42.4 |
| R1045 | 7030003530 | S.RES ERJ3GEYJ 562 V (5.6K) | T | 52.8/36.2 |
| R1052 | 7030003560 | S.RES ERJ3GEYJ 103 V (10K) | T | 15.1/78.6 |
| R1053 | 7030003560 | S.RES ERJ3GEYJ 103 V (10K) | T | 18.2/85.2 |
| R1054 | 7030003600 | S.RES ERJ3GEYJ 223 V (22K) | T | 21.2/78.2 |
| R1055 | 7030003320 | S.RES ERJ3GEYJ 101 V (10K) | T | 15.1/76.2 |

Eqv.= This component is equivalent to the REF No. component listed above, and may be substituted on parts orders and repairs.

[MAIN UNIT]

| REF NO. | PARTS NO. | DESCRIPTION | M. | H/V LOCATION |
|---------|------------|-----------------------------|----|--------------|
| R1056 | 7030003860 | S.RES ERJ3GE JPW V | T | 11.0/84.4 |
| R1057 | 7030003600 | S.RES ERJ3GEYJ 223 V (22K) | T | 21.2/79.4 |
| R1058 | 7030003680 | S.RES ERJ3GEYJ 104 V (100K) | T | 21.2/81.8 |
| R1059 | 7030003620 | S.RES ERJ3GEYJ 333 V (33K) | T | 18.2/84.0 |
| R1060 | 7030003440 | S.RES ERJ3GEYJ 102 V (1K) | T | 15.5/84.0 |
| R1061 | 7030003320 | S.RES ERJ3GEYJ 101 V (10K) | T | 15.1/82.2 |
| R1063 | 7030003640 | S.RES ERJ3GEYJ 473 V (47K) | T | 18.7/77.0 |
| R1064 | 7030003640 | S.RES ERJ3GEYJ 473 V (47K) | T | 15.1/79.8 |
| R1070 | 7030003520 | S.RES ERJ3GEYJ 472 V (4.7K) | T | 163.1/88.9 |
| R1071 | 7030003520 | S.RES ERJ3GEYJ 472 V (4.7K) | T | 159.6/89.1 |
| R1072 | 7030003560 | S.RES ERJ3GEYJ 103 V (10K) | T | 162.2/91.3 |
| R1073 | 7030003560 | S.RES ERJ3GEYJ 103 V (10K) | T | 159.6/91.3 |
| R1074 | 7030003560 | S.RES ERJ3GEYJ 103 V (10K) | T | 164.3/98.9 |
| R1075 | 7030003520 | S.RES ERJ3GEYJ 472 V (4.7K) | T | 9.5/80.8 |
| R1076 | 7030003520 | S.RES ERJ3GEYJ 472 V (4.7K) | T | 9.5/83.2 |
| R1077 | 7030003560 | S.RES ERJ3GEYJ 103 V (10K) | T | 5.4/74.3 |
| R1078 | 7030003560 | S.RES ERJ3GEYJ 103 V (10K) | T | 6.8/83.2 |
| R1079 | 7030003560 | S.RES ERJ3GEYJ 103 V (10K) | T | 6.9/81.1 |
| R1080 | 7030003440 | S.RES ERJ3GEYJ 102 V (1K) | T | 158.2/96.5 |
| R1081 | 7030003280 | S.RES ERJ3GEYJ 470 V (47K) | T | 159.6/92.7 |
| R1083 | 7030003640 | S.RES ERJ3GEYJ 473 V (47K) | T | 165.8/94.9 |
| R1084 | 7030003800 | S.RES ERJ3GEYJ 105 V (1M) | T | 157.0/95.1 |
| R1086 | 7030003320 | S.RES ERJ3GEYJ 101 V (10K) | T | 165.8/93.7 |
| R1087 | 7030003320 | S.RES ERJ3GEYJ 101 V (10K) | T | 2.8/79.4 |
| R1088 | 7030003280 | S.RES ERJ3GEYJ 470 V (47K) | T | 8.6/75.8 |
| R1089 | 7030003640 | S.RES ERJ3GEYJ 473 V (47K) | T | 8.6/79.4 |
| R1090 | 7030003440 | S.RES ERJ3GEYJ 102 V (1K) | T | 8.6/78.2 |
| R1091 | 7030003860 | S.RES ERJ3GE JPW V | T | 173.8/84.5 |
| R1092 | 7030003560 | S.RES ERJ3GEYJ 103 V (10K) | T | 164.3/100.1 |
| R1093 | 7030003440 | S.RES ERJ3GEYJ 102 V (1K) | T | 168.4/97.6 |
| R1094 | 7030003400 | S.RES ERJ3GEYJ 471 V (47K) | T | 183.2/84.0 |
| R1095 | 7030004040 | S.RES ERJ3GEYJ 4R7 V (4.7K) | T | 186.8/86.7 |
| R1096 | 7030010260 | S.RES ERJ1TYJ 3R3 U | T | 176.3/82.0 |
| R1514 | 7030003320 | S.RES ERJ3GEYJ 101 V (10K) | T | 63.8/32.1 |
| R1515 | 7030003800 | S.RES ERJ3GEYJ 105 V (1M) | T | 59.6/35.6 |
| R1516 | 7030003320 | S.RES ERJ3GEYJ 101 V (10K) | T | 58.3/35.6 |
| R1521 | 7030003860 | S.RES ERJ3GE JPW V | T | 2.8/53.8 |
| R1531 | 7030003560 | S.RES ERJ3GEYJ 103 V (10K) | T | 46.1/41.7 |
| R1532 | 7030003440 | S.RES ERJ3GEYJ 102 V (1K) | T | 33.3/57.9 |
| R1548 | 7030003860 | S.RES ERJ3GE JPW V | T | 29.2/16.1 |
| R1549 | 7030003860 | S.RES ERJ3GE JPW V | T | 66.0/37.8 |
| R1550 | 7030003860 | S.RES ERJ3GE JPW V | T | 55.8/35.5 |
| R1553 | 7030003320 | S.RES ERJ3GEYJ 101 V (10K) | T | 57.0/34.0 |
| R1554 | 7030003560 | S.RES ERJ3GEYJ 103 V (10K) | T | 53.4/34.0 |
| R1555 | 7030003560 | S.RES ERJ3GEYJ 103 V (10K) | T | 49.8/34.0 |
| R1556 | 7030003560 | S.RES ERJ3GEYJ 103 V (10K) | T | 66.2/23.4 |
| R1557 | 7030003560 | S.RES ERJ3GEYJ 103 V (10K) | T | 65.0/23.8 |
| R1558 | 7030003560 | S.RES ERJ3GEYJ 103 V (10K) | T | 43.6/3.2 |
| R1559 | 7030003560 | S.RES ERJ3GEYJ 103 V (10K) | T | 42.4/3.2 |
| R1591 | 7030003860 | S.RES ERJ3GE JPW V | T | 82.8/9.2 |
| R1601 | 7030003320 | S.RES ERJ3GEYJ 101 V (10K) | T | 52.7/48.8 |
| R1602 | 7030003520 | S.RES ERJ3GEYJ 472 V (4.7K) | T | 38.8/48.2 |
| R1603 | 7030003520 | S.RES ERJ3GEYJ 472 V (4.7K) | T | 44.2/50.8 |
| R1604 | 7030003520 | S.RES ERJ3GEYJ 472 V (4.7K) | T | 41.0/49.4 |
| R1605 | 7030003520 | S.RES ERJ3GEYJ 472 V (4.7K) | T | 49.8/46.4 |
| R1606 | 7030003520 | S.RES ERJ3GEYJ 472 V (4.7K) | T | 45.9/44.4 |
| R1607 | 7030003520 | S.RES ERJ3GEYJ 472 V (4.7K) | T | 49.8/47.6 |
| R1621 | 7030003320 | S.RES ERJ3GEYJ 101 V (10K) | T | 42.0/58.8 |
| R1622 | 7030003490 | S.RES ERJ3GEYJ 272 V (2.7K) | T | 37.2/52.0 |
| R1623 | 7030003490 | S.RES ERJ3GEYJ 272 V (2.7K) | T | 37.2/50.8 |
| R1624 | 7030003490 | S.RES ERJ3GEYJ 272 V (2.7K) | T | 40.3/52.0 |
| R1625 | 7030003490 | S.RES ERJ3GEYJ 272 V (2.7K) | T | 40.3/50.8 |
| R1626 | 7030003460 | S.RES ERJ3GEYJ 152 V (1.5K) | T | 36.0/59.4 |
| R1627 | 7030003460 | S.RES ERJ3GEYJ 152 V (1.5K) | T | 38.9/58.2 |
| R1628 | 7030003320 | S.RES ERJ3GEYJ 101 V (10K) | T | 33.3/59.4 |
| R1629 | 7030003320 | S.RES ERJ3GEYJ 101 V (10K) | T | 38.9/60.6 |
| R1641 | 7030003320 | S.RES ERJ3GEYJ 101 V (10K) | T | 52.8/59.4 |
| R1642 | 7030003490 | S.RES ERJ3GEYJ 272 V (2.7K) | T | 50.1/53.2 |
| R1643 | 7030003490 | S.RES ERJ3GEYJ 272 V (2.7K) | T | 47.5/52.0 |
| R1644 | 7030003490 | S.RES ERJ3GEYJ 272 V (2.7K) | T | 52.7/53.2 |
| R1645 | 7030003490 | S.RES ERJ3GEYJ 272 V (2.7K) | T | 52.1/52.0 |
| R1646 | 7030003460 | S.RES ERJ3GEYJ 152 V (1.5K) | T | 47.0/59.7 |
| R1647 | 7030003460 | S.RES ERJ3GEYJ 152 V (1.5K) | T | 49.8/58.4 |
| R1648 | 7030003320 | S.RES ERJ3GEYJ 101 V (10K) | T | 44.4/59.7 |
| R1649 | 7030003320 | S.RES ERJ3GEYJ 101 V (10K) | T | 49.8/60.9 |
| R1661 | 7030003320 | S.RES ERJ3GEYJ 101 V (10K) | T | 22.1/64.2 |
| R1662 | 7030003320 | S.RES ERJ3GEYJ 101 V (10K) | T | 29.0/61.4 |
| R1663 | 7030003860 | S.RES ERJ3GE JPW V | T | |

[MAIN UNIT]

| REF NO. | PARTS NO. | DESCRIPTION | M. | H/V LOCATION |
|---------|------------|-----------------------------|----|--------------|
| R1709 | 7030003500 | S.RES ERJ3GEYJ 332 V (3.3K) | T | 5.4/69.1 |
| R1710 | 7030003540 | S.RES ERJ3GEYJ 682 V (6.8K) | T | 5.4/67.9 |
| R1711 | 7030003540 | S.RES ERJ3GEYJ 682 V (6.8K) | T | 8.7/66.0 |
| R1712 | 7030003500 | S.RES ERJ3GEYJ 332 V (3.3K) | T | 12.7/67.2 |
| R1713 | 7030003540 | S.RES ERJ3GEYJ 682 V (6.8K) | T | 12.7/66.0 |
| R1714 | 7030003540 | S.RES ERJ3GEYJ 682 V (6.8K) | T | 15.6/66.0 |
| R1716 | 7030003320 | S.RES ERJ3GEYJ 101 V (100) | T | 15.7/75.2 |
| R1717 | 7030003560 | S.RES ERJ3GEYJ 103 V (10K) | T | 12.5/77.4 |
| R2011 | 7030003560 | S.RES ERJ3GEYJ 103 V (10K) | T | 59.8/79.9 |
| R2012 | 7030003670 | S.RES ERJ3GEYJ 823 V (82K) | T | 59.8/81.1 |
| R2013 | 7030005691 | S.RES ERA3YED 123V (12K) | T | 59.8/77.0 |
| R2015 | 7030003480 | S.RES ERJ3GEYJ 222 V (2.2K) | T | 65.6/78.1 |
| R2016 | 7030003520 | S.RES ERJ3GEYJ 472 V (4.7K) | T | 67.1/76.9 |
| R2017 | 7030003400 | S.RES ERJ3GEYJ 471 V (470) | T | 68.8/79.7 |
| R2018 | 7030003330 | S.RES ERJ3GEYJ 121 V (120) | T | 68.8/80.9 |
| R2023 | 7030003310 | S.RES ERJ3GEYJ 820 V (82) | T | 63.1/55.0 |
| R2024 | 7030003310 | S.RES ERJ3GEYJ 820 V (82) | T | 60.4/55.0 |
| R2025 | 7030003310 | S.RES ERJ3GEYJ 820 V (82) | T | 63.1/53.8 |
| R2042 | 7030003800 | S.RES ERJ3GEYJ 105 V (1M) | T | 74.6/71.6 |
| R2043 | 7030003440 | S.RES ERJ3GEYJ 102 V (1K) | T | 77.2/58.6 |
| R2044 | 7030003440 | S.RES ERJ3GEYJ 102 V (1K) | T | 77.2/59.8 |
| R2045 | 7030003440 | S.RES ERJ3GEYJ 102 V (1K) | T | 77.2/61.0 |
| R2053 | 7030003320 | S.RES ERJ3GEYJ 101 V (100) | T | 61.5/51.6 |
| R2054 | 7030003280 | S.RES ERJ3GEYJ 470 V (47) | T | 71.6/57.1 |
| R2061 | 7030003280 | S.RES ERJ3GEYJ 470 V (47) | T | 76.4/81.3 |
| R2062 | 7030003240 | S.RES ERJ3GEYJ 220 V (22) | T | 76.4/82.5 |
| R2071 | 7030003860 | S.RES ERJ3GE JPW V | T | 84.7/68.1 |
| R2101 | 7030003260 | S.RES ERJ3GEYJ 330 V (33) | T | 86.0/64.3 |
| R2104 | 7030003280 | S.RES ERJ3GEYJ 470 V (47) | T | 96.1/58.5 |
| R2105 | 7030003340 | S.RES ERJ3GEYJ 151 V (150) | T | 84.5/65.5 |
| R2106 | 7030003340 | S.RES ERJ3GEYJ 151 V (150) | T | 87.5/65.5 |
| R2500 | 7030003240 | S.RES ERJ3GEYJ 220 V (22) | T | 55.6/80.2 |
| R2501 | 7030003240 | S.RES ERJ3GEYJ 220 V (22) | T | 55.6/79.4 |
| R2502 | 7030003640 | S.RES ERJ3GEYJ 473 V (47K) | T | 49.8/85.2 |
| R2503 | 7030003640 | S.RES ERJ3GEYJ 473 V (47K) | T | 48.7/80.2 |
| R2542 | 7030003860 | S.RES ERJ3GE JPW V | T | 50.7/92.7 |
| R2543 | 7030003440 | S.RES ERJ3GEYJ 102 V (1K) | T | 39.8/88.5 |
| R2544 | 7030003860 | S.RES ERJ3GE JPW V | T | 49.1/86.8 |
| R2546 | 7030003330 | S.RES ERJ3GEYJ 121 V (120) | T | 55.2/93.7 |
| R2548 | 7030003440 | S.RES ERJ3GEYJ 102 V (1K) | T | 36.6/93.6 |
| R2549 | 7030003440 | S.RES ERJ3GEYJ 102 V (1K) | T | 36.6/94.8 |
| R2550 | 7030003440 | S.RES ERJ3GEYJ 102 V (1K) | T | 36.6/96.0 |
| R2551 | 7030003860 | S.RES ERJ3GE JPW V | T | 36.6/97.2 |
| R2552 | 7030003330 | S.RES ERJ3GEYJ 121 V (120) | T | 55.2/91.1 |
| R2553 | 7030003470 | S.RES ERJ3GEYJ 182 V (1.8K) | T | 51.3/95.9 |
| R2554 | 7030003440 | S.RES ERJ3GEYJ 102 V (1K) | T | 39.8/96.9 |
| R2555 | 7030003560 | S.RES ERJ3GEYJ 103 V (10K) | T | 40.8/98.4 |
| R2556 | 7030003470 | S.RES ERJ3GEYJ 182 V (1.8K) | T | 51.3/97.1 |
| R2557 | 7030003860 | S.RES ERJ3GE JPW V | T | 40.2/87.0 |
| R2590 | 7030003240 | S.RES ERJ3GEYJ 220 V (22) | T | 93.2/96.7 |
| R2591 | 7030003240 | S.RES ERJ3GEYJ 220 V (22) | T | 93.2/95.5 |
| R2592 | 7030003400 | S.RES ERJ3GEYJ 471 V (470) | T | 93.2/93.0 |
| R2593 | 7030003400 | S.RES ERJ3GEYJ 471 V (470) | T | 95.8/95.5 |
| R2594 | 7030003340 | S.RES ERJ3GEYJ 151 V (150) | T | 54.4/88.1 |
| R2595 | 7030003400 | S.RES ERJ3GEYJ 471 V (470) | T | 54.6/97.5 |
| R2596 | 7030003330 | S.RES ERJ3GEYJ 121 V (120) | T | 54.4/86.9 |
| R2597 | 7030003340 | S.RES ERJ3GEYJ 151 V (150) | T | 68.5/91.5 |
| R2598 | 7030003400 | S.RES ERJ3GEYJ 471 V (470) | T | 68.7/96.4 |
| R2599 | 7030003330 | S.RES ERJ3GEYJ 121 V (120) | T | 67.8/89.6 |
| R2701 | 7030003440 | S.RES ERJ3GEYJ 102 V (1K) | T | 99.5/83.9 |
| R2702 | 7030003440 | S.RES ERJ3GEYJ 102 V (1K) | T | 98.0/82.6 |
| R2703 | 7030003440 | S.RES ERJ3GEYJ 102 V (1K) | T | 98.0/81.4 |
| R2711 | 7030003390 | S.RES ERJ3GEYJ 391 V (390) | T | 109.7/89.8 |
| R2715 | 7030003390 | S.RES ERJ3GEYJ 391 V (390) | T | 145.0/96.3 |
| R2801 | 7030003390 | S.RES ERJ3GEYJ 391 V (390) | T | 115.4/94.0 |
| R2802 | 7030003260 | S.RES ERJ3GEYJ 330 V (33) | T | 135.9/97.2 |
| R2803 | 7030003340 | S.RES ERJ3GEYJ 151 V (150) | T | 135.9/94.8 |
| R2804 | 7030003340 | S.RES ERJ3GEYJ 151 V (150) | T | 137.0/96.0 |
| R2805 | 7030003390 | S.RES ERJ3GEYJ 391 V (390) | T | 140.1/92.6 |
| R2806 | 7030003680 | S.RES ERJ3GEYJ 104 V (100K) | T | 141.8/93.9 |
| R2851 | 7030003390 | S.RES ERJ3GEYJ 391 V (390) | T | 115.5/88.9 |
| R2852 | 7030003240 | S.RES ERJ3GEYJ 220 V (22) | T | 135.9/90.4 |
| R2853 | 7030003400 | S.RES ERJ3GEYJ 471 V (470) | T | 134.4/89.2 |
| R2854 | 7030003400 | S.RES ERJ3GEYJ 471 V (470) | T | 137.0/89.2 |
| R2855 | 7030003390 | S.RES ERJ3GEYJ 391 V (390) | T | 140.3/85.8 |
| R2856 | 7030003680 | S.RES ERJ3GEYJ 104 V (100K) | T | 141.8/87.0 |
| R2857 | 7030003240 | S.RES ERJ3GEYJ 220 V (22) | T | 135.9/91.6 |
| R2901 | 7030003390 | S.RES ERJ3GEYJ 391 V (390) | T | 115.5/82.2 |
| R2902 | 7030003260 | S.RES ERJ3GEYJ 330 V (33) | T | 135.9/83.6 |
| R2903 | 7030003340 | S.RES ERJ3GEYJ 151 V (150) | T | 135.9/81.2 |
| R2904 | 7030003340 | S.RES ERJ3GEYJ 151 V (150) | T | 137.0/82.4 |
| R2905 | 7030003390 | S.RES ERJ3GEYJ 391 V (390) | T | 140.0/79.1 |
| R2906 | 7030003680 | S.RES ERJ3GEYJ 104 V (100K) | T | 141.8/80.3 |
| R2950 | 7030003260 | S.RES ERJ3GEYJ 330 V (33) | T | 135.3/77.6 |
| R2951 | 7030003390 | S.RES ERJ3GEYJ 391 V (390) | T | 115.5/75.4 |
| R2952 | 7030003260 | S.RES ERJ3GEYJ 330 V (33) | T | 136.8/77.6 |
| R2953 | 7030003320 | S.RES ERJ3GEYJ 101 V (100) | T | 135.9/74.4 |
| R2954 | 7030003320 | S.RES ERJ3GEYJ 101 V (100) | T | 137.0/75.6 |
| R2955 | 7030003390 | S.RES ERJ3GEYJ 391 V (390) | T | 140.2/72.2 |
| R2956 | 7030003680 | S.RES ERJ3GEYJ 104 V (100K) | T | 141.7/73.4 |
| R2957 | 7030003440 | S.RES ERJ3GEYJ 102 V (1K) | T | 17.5/37.0 |
| R2958 | 7030003440 | S.RES ERJ3GEYJ 102 V (1K) | T | 28.1/39.9 |
| R2959 | 7030003440 | S.RES ERJ3GEYJ 102 V (1K) | T | 20.4/37.3 |
| R2960 | 7030003320 | S.RES ERJ3GEYJ 101 V (100) | T | 20.4/38.5 |
| R2961 | 7030003320 | S.RES ERJ3GEYJ 101 V (100) | T | 20.4/39.7 |
| R2962 | 7030003440 | S.RES ERJ3GEYJ 102 V (1K) | T | 20.4/40.9 |
| R2963 | 7030003440 | S.RES ERJ3GEYJ 102 V (1K) | T | 20.4/42.1 |
| R2994 | 7030003320 | S.RES ERJ3GEYJ 101 V (100) | T | 152.5/6.3 |

Eqv.= This component is equivalent to the REF No. component listed above, and may be substituted on parts orders and repairs.

[MAIN UNIT]

| REF NO. | PARTS NO. | DESCRIPTION | M. | H/V LOCATION |
|---------|------------|-----------------------------|----|--------------|
| R2995 | 7030003320 | S.RES ERJ3GEYJ 101 V (100) | T | 152.1/5.1 |
| R2996 | 7030003320 | S.RES ERJ3GEYJ 101 V (100) | T | 151.7/3.9 |
| R2997 | 7030003320 | S.RES ERJ3GEYJ 101 V (100) | T | 151.3/2.7 |
| R3000 | 7030003680 | S.RES ERJ3GEYJ 104 V (100K) | T | 135.6/53.3 |
| R3001 | 7030003680 | S.RES ERJ3GEYJ 104 V (100K) | T | 137.8/45.3 |
| R3012 | 7030003360 | S.RES ERJ3GEYJ 221 V (220) | T | 177.2/2.8 |
| R3013 | 7030003360 | S.RES ERJ3GEYJ 221 V (220) | T | 175.9/13.7 |
| R3014 | 7030003360 | S.RES ERJ3GEYJ 221 V (220) | T | 185.9/4.7 |
| R3015 | 7030003360 | S.RES ERJ3GEYJ 221 V (220) | T | 182.1/12.4 |
| R3016 | 7030003360 | S.RES ERJ3GEYJ 221 V (220) | T | 186.5/10.8 |
| R3018 | 7030003860 | S.RES ERJ3GE JPW V | T | 2.8/75.5 |
| R3201 | 7030003600 | S.RES ERJ3GEYJ 223 V (22K) | T | 171.8/62.8 |
| R3202 | 7030003600 | S.RES ERJ3GEYJ 223 V (22K) | T | 171.8/61.6 |
| R3203 | 7030003400 | S.RES ERJ3GEYJ 471 V (470) | T | 173.4/57.8 |
| R3204 | 7030003680 | S.RES ERJ3GEYJ 104 V (100K) | T | 172.9/60.2 |
| R3205 | 7030003560 | S.RES ERJ3GEYJ 103 V (10K) | T | 170.7/57.8 |
| R3206 | 7030003680 | S.RES ERJ3GEYJ 104 V (100K) | T | 171.8/55.4 |
| R3207 | 7030003800 | S.RES ERJ3GEYJ 105 V (1M) | T | 178.8/54.3 |
| R3208 | 7030005691 | S.RES ERA3YED 123V (12K) | T | 182.4/55.2 |
| R3209 | 7030003240 | S.RES ERJ3GEYJ 220 V (22) | T | 183.9/41.0 |
| R3210 | 7030003240 | S.RES ERJ3GEYJ 220 V (22) | T | 183.9/42.2 |
| R3211 | 7030003640 | S.RES ERJ3GEYJ 473 V (47K) | T | 188.1/57.2 |
| R3212 | 7030003680 | S.RES ERJ3GEYJ 104 V (100K) | T | 181.5/63.7 |
| R3213 | 7030003680 | S.RES ERJ3GEYJ 104 V (100K) | T | 180.9/64.9 |
| R3214 | 7030003460 | S.RES ERJ3GEYJ 152 V (1.5K) | T | 183.9/43.5 |
| R3215 | 7030003800 | S.RES ERJ3GEYJ 105 V (1M) | T | 183.9/39.8 |
| R3216 | 7030003800 | S.RES ERJ3GEYJ 105 V (1M) | T | 176.6/34.4 |
| R3217 | 7030003520 | S.RES ERJ3GEYJ 472 V (4.7K) | T | 179.7/73.3 |
| R3218 | 7030003560 | S.RES ERJ3GEYJ 103 V (10K) | T | 177.0/73.3 |
| R3219 | 7030003590 | S.RES ERJ3GEYJ 183 V (18K) | T | 164.3/73.0 |
| R3220 | 7030003560 | S.RES ERJ3GEYJ 103 V (10K) | T | 166.9/73.0 |
| R3221 | 7030003640 | S.RES ERJ3GEYJ 473 V (47K) | T | 166.1/68.8 |
| R3222 | 7030003590 | S.RES ERJ3GEYJ 183 V (18K) | T | 166.9/70.9 |
| R3223 | 7030003680 | S.RES ERJ3GEYJ 104 V (100K) | T | 173.2/74.0 |
| R3224 | 7030003680 | S.RES ERJ3GEYJ 104 V (100K) | T | 172.3/67.2 |
| R3225 | 7030003860 | S.RES ERJ3GE JPW V | T | 189.5/38.9 |
| R3226 | 7030003860 | S.RES ERJ3GE JPW V | T | 185.3/46.4 |
| R3227 | 7030003400 | S.RES ERJ3GEYJ 471 V (470) | T | 83.6/37.5 |
| R3229 | 7030003440 | S.RES ERJ3GEYJ 102 V (1K) | T | 16.2/8.7 |
| R3230 | 7030003440 | S.RES ERJ3GEYJ 102 V (1K) | T | 15.1/10.2 |
| R3231 | 7030003440 | S.RES ERJ3GEYJ 102 V (1K) | T | 15.1/11.7 |
| R3232 | 7030003440 | S.RES ERJ3GEYJ 102 V (1K) | T | 15.1/13.3 |
| R3233 | 7030003440 | S.RES ERJ3GEYJ 102 V (1K) | T | 17.7/16.0 |
| R3234 | 7030003280 | S.RES ERJ3GEYJ 470 V (47) | T | 117.7/49.3 |
| R3235 | 7030003640 | S.RES ERJ3GEYJ 473 V (47K) | T | 163.5/68.8 |
| R3236 | 7030003860 | S.RES ERJ3GE JPW V | T | 166.8/65.7 |
| R3237 | 7030003860 | S.RES ERJ3GE JPW V | T | 162.7/62.6 |
| R3242 | 7030010570 | S.RES ERJ1TYJ 4R7U (4.7) | T | 8.7/95.8 |
| R3243 | 7030010570 | S.RES ERJ1TYJ 4R7U (4.7) | T | 16.1/95.8 |
| R3244 | 7030010570 | S.RES ERJ1TYJ 4R7U (4.7) | T | 12.4/95.8 |
| R3248 | 7030003860 | S.RES ERJ3GE JPW V | T | 167.8/59.1 |
| R3249 | 7030003860 | S.RES ERJ3GE JPW V | T | 177.7/75.2 |
| R3250 | 7030003860 | S.RES ERJ3GE JPW V | T | 175.5/75.1 |
| R3251 | 7030003860 | S.RES ERJ3GE JPW V | T | 174.7/67.1 |
| R3253 | 7030003860 | S.RES ERJ3GE JPW V | T | 165.5/63.1 |
| R3254 | 7030003860 | S.RES ERJ3GE JPW V | T | 161.6/69.6 |
| C1 | 4030006880 | S.CER C1608 JB 1H 472K-T | T | 173.7/24.2 |
| C2 | 4030006880 | S.CER C1608 JB 1H 472K-T | T | 179.3/27.2 |
| C6 | 4030007090 | S.CER C1608 CH 1H 470J-T | T | 19.3/30.0 |
| C9 | 4030007090 | S.CER C1608 CH 1H 470J-T | T | 16.9/19.6 |
| C10 | 4030007090 | S.CER C1608 CH 1H 470J-T | T | 19.3/29.2 |
| C11 | 4030007090 | S.CER C1608 CH 1H 470J-T | T | 19.3/31.6 |
| C12 | 4030007090 | S.CER C1608 CH 1H 470J-T | T | 19.7/34.0 |
| C14 | 4030007090 | S.CER C1608 CH 1H 470J-T | T | 17.1/34.6 |
| C16 | 4030006860 | S.CER C1608 JB 1H 102K-T | T | 17.4/3.2 |
| C17 | 4030011600 | S.CER C1608 JB 1E 104K-T | T | 193.0/33.8 |
| C18 | 4030006860 | S.CER C1608 JB 1H 102K-T | T | 120.1/17.6 |
| C19 | 4030006860 | S.CER C1608 JB 1H 102K-T | T | 113.6/19.4 |
| C21 | 4030006880 | S.CER C1608 JB 1H 472K-T | T | 7.4/33.1 |
| C22 | 4030006860 | S.CER C1608 JB 1H 102K-T | T | 61.0/44.6 |
| C23 | 4030006860 | S.CER C1608 JB 1H 102K-T | T | 125.6/19.4 |
| C24 | 4030006880 | S.CER C1608 JB 1H 472K-T | T | 4.8/39.0 |
| C25 | 4030006860 | S.CER C1608 JB 1H 102K-T | T | 20.9/4.9 |
| C26 | 4030006880 | S.CER C1608 JB 1H 472K-T | T | 7.4/37.1 |
| C27 | 4030006880 | S.CER C1608 JB 1H 472K-T | T | 7.4/34.3 |
| C28 | 4030006880 | S.CER C1608 JB 1H 472K-T | T | 18.3/25.6 |
| C29 | 4030006880 | S.CER C1608 JB 1H 472K-T | T | 4.8/37.8 |
| C30 | 4030006880 | S.CER C1608 JB 1H 472K-T | T | 18.3/26 |

[MAIN UNIT]

| REF NO. | PARTS NO. | DESCRIPTION | M. | H/V LOCATION |
|---------|------------|--------------------------|----|--------------|
| C49 | 4030011600 | S.CER C1608 JB 1E 104K-T | T | 4.5/29.7 |
| C50 | 4030007120 | S.CER C1608 CH 1H 820J-T | T | 144.3/20.9 |
| C51 | 4030007110 | S.CER C1608 CH 1H 680J-T | T | 146.9/21.6 |
| C52 | 4030007070 | S.CER C1608 CH 1H 330J-T | T | 146.9/23.1 |
| C53 | 4030006860 | S.CER C1608 JB 1H 102K-T | T | 180.8/78.0 |
| C56 | 4030011600 | S.CER C1608 JB 1E 104K-T | T | 4.5/31.4 |
| C57 | 4030011600 | S.CER C1608 JB 1E 104K-T | T | 169.5/75.2 |
| C59 | 4030007130 | S.CER C1608 CH 1H 101J-T | T | 170.6/74.0 |
| C60 | 4030007090 | S.CER C1608 CH 1H 470J-T | T | 17.5/20.8 |
| C61 | 4030011600 | S.CER C1608 JB 1E 104K-T | T | 6.1/43.3 |
| C62 | 4510009820 | S.ELE EEEFK1C470P | T | 5.3/49.3 |
| C63 | 4030006880 | S.CER C1608 JB 1H 472K-T | T | 164.8/21.3 |
| C64 | 4030011600 | S.CER C1608 JB 1E 104K-T | T | 100.8/20.1 |
| C65 | 4030011600 | S.CER C1608 JB 1E 104K-T | T | 52.0/72.1 |
| C66 | 4030007130 | S.CER C1608 CH 1H 101J-T | T | 127.5/25.0 |
| C67 | 4030018620 | S.CER C1608 CH 1H 222J-T | T | 186.9/32.9 |
| C68 | 4030011600 | S.CER C1608 JB 1E 104K-T | T | 98.6/26.3 |
| C69 | 4030007130 | S.CER C1608 CH 1H 101J-T | T | 98.9/15.8 |
| C71 | 4030007090 | S.CER C1608 CH 1H 470J-T | T | 151.2/72.8 |
| C81 | 4030006880 | S.CER C1608 JB 1H 472K-T | T | 155.7/68.0 |
| C501 | 4030007100 | S.CER C1608 CH 1H 560J-T | T | 157.3/73.6 |
| C502 | 4030006880 | S.CER C1608 JB 1H 472K-T | T | 160.5/75.1 |
| C503 | 4030011600 | S.CER C1608 JB 1E 104K-T | T | 160.5/73.9 |
| C504 | 4030006900 | S.CER C1608 JB 1H 103K-T | T | 156.3/81.4 |
| C505 | 4030006900 | S.CER C1608 JB 1H 103K-T | T | 153.1/77.7 |
| C506 | 4030006900 | S.CER C1608 JB 1H 103K-T | T | 153.1/75.2 |
| C507 | 4030011600 | S.CER C1608 JB 1E 104K-T | T | 157.6/35.7 |
| C508 | 4030011600 | S.CER C1608 JB 1E 104K-T | T | 152.4/35.7 |
| C510 | 4030011600 | S.CER C1608 JB 1E 104K-T | T | 160.0/49.0 |
| C512 | 4030011600 | S.CER C1608 JB 1E 104K-T | T | 159.7/56.7 |
| C513 | 4030007150 | S.CER C1608 CH 1H 151J-T | T | 154.4/53.3 |
| C514 | 4030011600 | S.CER C1608 JB 1E 104K-T | T | 151.3/25.0 |
| C515 | 4030007070 | S.CER C1608 CH 1H 330J-T | T | 154.4/56.7 |
| C516 | 4030006880 | S.CER C1608 JB 1H 472K-T | T | 155.7/58.0 |
| C518 | 4030007100 | S.CER C1608 CH 1H 560J-T | T | 157.3/72.4 |
| C520 | 4030011600 | S.CER C1608 JB 1E 104K-T | T | 154.6/23.2 |
| C521 | 4030006860 | S.CER C1608 JB 1H 102K-T | T | 143.3/42.7 |
| C522 | 4030006880 | S.CER C1608 JB 1H 472K-T | T | 139.3/26.2 |
| C524 | 4030006880 | S.CER C1608 JB 1H 472K-T | T | 144.7/47.3 |
| C525 | 4030006880 | S.CER C1608 JB 1H 472K-T | T | 139.5/55.7 |
| C526 | 4030006880 | S.CER C1608 JB 1H 472K-T | T | 142.1/54.5 |
| C527 | 4030006880 | S.CER C1608 JB 1H 472K-T | T | 146.3/56.3 |
| C528 | 4030006880 | S.CER C1608 JB 1H 472K-T | T | 151.5/55.1 |
| C529 | 4030006880 | S.CER C1608 JB 1H 472K-T | T | 141.6/59.5 |
| C530 | 4030006880 | S.CER C1608 JB 1H 472K-T | T | 145.2/50.2 |
| C531 | 4030006880 | S.CER C1608 JB 1H 472K-T | T | 162.9/54.2 |
| C532 | 4030010000 | S.CER C1608 CH 1H 510J-T | T | 158.0/61.7 |
| C533 | 4030006880 | S.CER C1608 JB 1H 472K-T | T | 168.3/44.4 |
| C534 | 4030011600 | S.CER C1608 JB 1E 104K-T | T | 143.5/30.5 |
| C535 | 4030010760 | S.CER C1608 CH 1H 331J-T | T | 144.1/35.0 |
| C536 | 4030011600 | S.CER C1608 JB 1E 104K-T | T | 147.8/38.0 |
| C537 | 4030006860 | S.CER C1608 JB 1H 102K-T | T | 147.8/36.7 |
| C538 | 4030006860 | S.CER C1608 JB 1H 102K-T | T | 145.2/41.9 |
| C539 | 4030011600 | S.CER C1608 JB 1E 104K-T | T | 145.2/43.1 |
| C540 | 4030006860 | S.CER C1608 JB 1H 102K-T | T | 142.1/40.8 |
| C541 | 4030006880 | S.CER C1608 JB 1H 472K-T | T | 158.6/63.1 |
| C542 | 4030006980 | S.CER C1608 CH 1H 070D-T | T | 137.9/61.4 |
| C543 | 4030009520 | S.CER C1608 CH 1H 020B-T | T | 134.9/65.3 |
| C544 | 4030009520 | S.CER C1608 CH 1H 020B-T | T | 145.1/64.5 |
| C545 | 4030006880 | S.CER C1608 JB 1H 472K-T | T | 124.7/65.7 |
| C546 | 4030011600 | S.CER C1608 JB 1E 104K-T | T | 140.9/40.8 |
| C547 | 4030007100 | S.CER C1608 CH 1H 560J-T | T | 147.8/41.9 |
| C548 | 4030011600 | S.CER C1608 JB 1E 104K-T | T | 143.4/27.5 |
| C549 | 4030007100 | S.CER C1608 CH 1H 560J-T | T | 147.8/43.1 |
| C550 | 4030011600 | S.CER C1608 JB 1E 104K-T | T | 138.8/38.9 |
| C551 | 4030006880 | S.CER C1608 JB 1H 472K-T | T | 119.9/61.9 |
| C552 | 4030006880 | S.CER C1608 JB 1H 472K-T | T | 125.2/49.8 |
| C553 | 4030006880 | S.CER C1608 JB 1H 472K-T | T | 133.2/58.1 |
| C554 | 4030006860 | S.CER C1608 JB 1H 102K-T | T | 131.3/48.5 |
| C555 | 4030006880 | S.CER C1608 JB 1H 472K-T | T | 137.3/50.7 |
| C556 | 4030008360 | S.CER C1608 UJ 1H 101J-T | T | 135.2/44.8 |
| C557 | 4030006880 | S.CER C1608 JB 1H 472K-T | T | 131.1/47.3 |
| C558 | 4030006880 | S.CER C1608 JB 1H 472K-T | T | 124.8/38.3 |
| C559 | 4030008360 | S.CER C1608 UJ 1H 101J-T | T | 133.0/53.3 |
| C560 | 4030006880 | S.CER C1608 JB 1H 472K-T | T | 124.8/42.2 |
| C565 | 4030011600 | S.CER C1608 JB 1E 104K-T | T | 148.9/30.2 |
| C566 | 4030011600 | S.CER C1608 JB 1E 104K-T | T | 149.3/27.6 |
| C567 | 4030006880 | S.CER C1608 JB 1H 472K-T | T | 169.4/48.6 |
| C572 | 4030011600 | S.CER C1608 JB 1E 104K-T | T | 120.3/43.1 |
| C574 | 4030006880 | S.CER C1608 JB 1H 472K-T | T | 118.0/57.2 |
| C575 | 4030011600 | S.CER C1608 JB 1E 104K-T | T | 94.4/45.1 |
| C576 | 4030011600 | S.CER C1608 JB 1E 104K-T | T | 128.3/35.6 |
| C577 | 4030011600 | S.CER C1608 JB 1E 104K-T | T | 84.3/38.7 |
| C578 | 4030011600 | S.CER C1608 JB 1E 104K-T | T | 111.9/32.3 |
| C581 | 4030007090 | S.CER C1608 CH 1H 470J-T | T | 118.8/28.8 |
| C583 | 4030011600 | S.CER C1608 JB 1E 104K-T | T | 124.7/37.0 |
| C584 | 4510009820 | S.ELE EEEFK1C470P | T | 128.6/30.0 |
| C585 | 4030011600 | S.CER C1608 JB 1E 104K-T | T | 122.3/28.8 |
| C586 | 4030006880 | S.CER C1608 JB 1H 472K-T | T | 118.6/23.1 |
| C587 | 4030006880 | S.CER C1608 JB 1H 472K-T | T | 112.6/27.8 |
| C588 | 4030011600 | S.CER C1608 JB 1E 104K-T | T | 115.2/27.8 |
| C589 | 4030011600 | S.CER C1608 JB 1E 104K-T | T | 113.6/34.7 |
| C590 | 4030011600 | S.CER C1608 JB 1E 104K-T | T | 57.8/44.6 |
| C591 | 4030011600 | S.CER C1608 JB 1E 104K-T | T | 108.2/38.5 |
| C594 | 4030011600 | S.CER C1608 JB 1E 104K-T | T | 72.4/41.8 |
| C595 | 4030019490 | S.CER C2012 JB 1A 106K-T | T | 75.6/41.2 |
| C596 | 4030006880 | S.CER C1608 JB 1H 472K-T | T | 81.7/48.0 |
| C597 | 4030017490 | S.CER C1608 JB 1A 105K-T | T | 76.5/45.4 |

Eqv.= This component is equivalent to the REF No. component listed above, and may be substituted on parts orders and repairs.

[MAIN UNIT]

| REF NO. | PARTS NO. | DESCRIPTION | M. | H/V LOCATION |
|---------|------------|--------------------------|----|--------------|
| C598 | 4030011600 | S.CER C1608 JB 1E 104K-T | T | 79.1/45.4 |
| C599 | 4030006880 | S.CER C1608 JB 1H 472K-T | T | 75.0/43.4 |
| C600 | 4030006880 | S.CER C1608 JB 1H 472K-T | T | 72.4/43.4 |
| C601 | 4030011600 | S.CER C1608 JB 1E 104K-T | T | 107.7/30.2 |
| C602 | 4030011600 | S.CER C1608 JB 1E 104K-T | T | 96.7/35.7 |
| C603 | 4030007060 | S.CER C1608 CH 1H 270J-T | T | 166.9/57.5 |
| C604 | 4030007040 | S.CER C1608 CH 1H 180J-T | T | 166.9/56.3 |
| C605 | 4030007090 | S.CER C1608 CH 1H 470J-T | T | 168.9/52.5 |
| C607 | 4030007050 | S.CER C1608 CH 1H 220J-T | T | 166.2/48.7 |
| C618 | 4030011600 | S.CER C1608 JB 1E 104K-T | T | 93.3/32.2 |
| C619 | 4030011600 | S.CER C1608 JB 1E 104K-T | T | 90.2/34.5 |
| C620 | 4030011600 | S.CER C1608 JB 1E 104K-T | T | 89.9/27.4 |
| C621 | 4030011600 | S.CER C1608 JB 1E 104K-T | T | 84.7/35.6 |
| C622 | 4030011600 | S.CER C1608 JB 1E 104K-T | T | 84.8/32.1 |
| C623 | 4030019460 | S.CER C1608 JB 0J 106M-T | T | 87.3/28.5 |
| C651 | 4030006880 | S.CER C1608 JB 1H 472K-T | T | 160.4/53.2 |
| C652 | 4030011600 | S.CER C1608 JB 1E 104K-T | T | 88.3/44.4 |
| C653 | 4030006860 | S.CER C1608 JB 1H 102K-T | T | 88.3/48.0 |
| C654 | 4030007140 | S.CER C1608 CH 1H 121J-T | T | 88.3/50.0 |
| C655 | 4030011600 | S.CER C1608 JB 1E 104K-T | T | 90.0/55.0 |
| C656 | 4030011600 | S.CER C1608 JB 1E 104K-T | T | 98.4/51.3 |
| C657 | 4030019090 | S.CER C2012 JB 1C 225M-T | T | 90.4/57.8 |
| C658 | 4030011600 | S.CER C1608 JB 1E 104K-T | T | 97.0/45.1 |
| C659 | 4030007140 | S.CER C1608 CH 1H 121J-T | T | 98.5/46.3 |
| C660 | 4030011600 | S.CER C1608 JB 1E 104K-T | T | 95.5/41.5 |
| C661 | 4030006860 | S.CER C1608 JB 1H 102K-T | T | 101.3/40.8 |
| C662 | 4030011600 | S.CER C1608 JB 1E 104K-T | T | 97.9/39.1 |
| C663 | 4030011600 | S.CER C1608 JB 1E 104K-T | T | 92.4/46.8 |
| C664 | 4030011600 | S.CER C1608 JB 1E 104K-T | T | 83.3/41.0 |
| C665 | 4030011600 | S.CER C1608 JB 1E 104K-T | T | 127.7/23.1 |
| C666 | 4030011600 | S.CER C1608 JB 1E 104K-T | T | 101.7/22.2 |
| C667 | 4030011600 | S.CER C1608 JB 1E 104K-T | T | 70.2/27.4 |
| C669 | 4030006900 | S.CER C1608 JB 1H 103K-T | T | 73.3/32.4 |
| C670 | 4030009880 | S.CER C1608 JB 1H 682K-T | T | 73.3/31.2 |
| C671 | 4030006900 | S.CER C1608 JB 1H 103K-T | T | 72.7/33.6 |
| C672 | 4030006860 | S.CER C1608 JB 1H 102K-T | T | 91.5/53.5 |
| C673 | 4030019460 | S.CER C1608 JB 0J 106M-T | T | 66.9/24.5 |
| C674 | 4030017490 | S.CER C1608 JB 1A 105K-T | T | 66.9/35.7 |
| C675 | 4030019460 | S.CER C1608 JB 0J 106M-T | T | 68.3/40.0 |
| C676 | 4030017490 | S.CER C1608 JB 1A 105K-T | T | 68.3/38.8 |
| C677 | 4030019460 | S.CER C1608 JB 0J 106M-T | T | 69.8/32.6 |
| C678 | 4030017490 | S.CER C1608 JB 1A 105K-T | T | 72.1/38.6 |
| C679 | 4030011600 | S.CER C1608 JB 1E 104K-T | T | 82.6/33.3 |
| C680 | 4030017490 | S.CER C1608 JB 1A 105K-T | T | 76.1/31.2 |
| C681 | 4030006900 | S.CER C1608 JB 1H 103K-T | T | 77.0/26.1 |
| C682 | 4030006880 | S.CER C1608 JB 1H 472K-T | T | 175.0/2.2 |
| C683 | 4030006880 | S.CER C1608 JB 1H 472K-T | T | 129.8/24.4 |
| C684 | 4030006860 | S.CER C1608 JB 1H 102K-T | T | 80.1/26.8 |
| C1021 | 4030019490 | S.CER C2012 JB 1A 106K-T | T | 61.5/47.3 |
| C1022 | 4030011600 | S.CER C1608 JB 1E 104K-T | T | 59.3/49.5 |
| C1023 | 4030017490 | S.CER C1608 JB 1A 105K-T | T | 63.6/46.9 |
| C1024 | 4030017490 | S.CER C1608 JB 1A 105K-T | T | 60.6/38.4 |
| C1025 | 4030019460 | S.CER C1608 JB 0J 106M-T | T | 54.5/51.1 |
| C1031 | 4030019460 | S.CER C1608 JB 0J 106M-T | T | 4.2/83.2 |
| C1032 | 4030019460 | S.CER C1608 JB 0J 106M-T | T | 8.6/74.6 |
| C1033 | 4030017490 | S.CER C1608 JB 1A 105K-T | T | 50.4/43.0 |
| C1034 | 4030011340 | S.CER C1608 CH 1H 471J-T | T | 51.6/40.6 |
| C1035 | 4030011600 | S.CER C1608 JB 1E 104K-T | T | 56.4/41.2 |
| C1036 | 4030019460 | S.CER C1608 JB 0J 106M-T | T | 165.8/97.3 |
| C1037 | 4030011600 | S.CER C1608 JB 1E 104K-T | T | 105.5/18.0 |
| C1038 | 4030019090 | S.CER C2012 JB 1C 225M-T | T | 108.0/16.7 |
| C1039 | 4030017490 | S.CER C1608 JB 1A 105K-T | T | 108.3/14.4 |
| C1040 | 4030019490 | S.CER C2012 JB 1A 106K-T | T | 103.9/20.5 |
| C1041 | 4030019460 | S.CER C1608 JB 0J 106M-T | T | 2.8/77.0 |
| C1043 | 4030019460 | S.CER C1608 JB 0J 106M-T | T | 53.5/43.0 |
| C1051 | 4030018620 | S.CER C1608 CH 1H 222J-T | T | 15.1/77.4 |
| C1053 | 4030011600 | S.CER C1608 JB 1E 104K-T | T | 21.2/80.6 |
| C1054 | 4030011600 | S.CER C1608 JB 1E 104K-T | T | 15.1/81.0 |
| C1055 | 4030007130 | S.CER C1608 CH 1H 101J-T | T | 45.2/77.4 |
| C1071 | 4030019460 | S.CER C1608 JB 0J 106M-T | T | 159.6/90.3 |
| C1072 | 4030019460 | S.CER C1608 JB 0J 106M-T | T | 9.5/82.0 |
| C1081 | 4030019460 | S.CER C1608 JB 0J 106M-T | T | 164.3/91.9 |
| C1082 | 4030011600 | S.CER C1608 JB 1E 104K-T | T | 165.8/96.1 |
| C1083 | 4030006860 | S.CER C1608 JB 1H 102K-T | T | 157.0/93.9 |
| C1085 | 4030011600 | S.CER C1608 JB 1E 104K-T | T | 2. |

[MAIN UNIT]

| REF NO. | PARTS NO. | DESCRIPTION | M. | H/V LOCATION |
|---------|------------|--------------------------|----|--------------|
| C1553 | 4030011600 | S.CER C1608 JB 1E 104K-T | T | 65.7/12.7 |
| C1554 | 4030011600 | S.CER C1608 JB 1E 104K-T | T | 66.2/20.8 |
| C1555 | 4030011600 | S.CER C1608 JB 1E 104K-T | T | 66.2/26.3 |
| C1556 | 4030011600 | S.CER C1608 JB 1E 104K-T | T | 48.6/34.0 |
| C1557 | 4030011600 | S.CER C1608 JB 1E 104K-T | T | 34.2/26.7 |
| C1558 | 4030011600 | S.CER C1608 JB 1E 104K-T | T | 35.0/18.5 |
| C1559 | 4030011600 | S.CER C1608 JB 1E 104K-T | T | 35.9/11.6 |
| C1560 | 4030011600 | S.CER C1608 JB 1E 104K-T | T | 50.3/3.6 |
| C1561 | 4030011600 | S.CER C1608 JB 1E 104K-T | T | 67.0/13.1 |
| C1562 | 4030011600 | S.CER C1608 JB 1E 104K-T | T | 65.4/7.3 |
| C1563 | 4030011600 | S.CER C1608 JB 1E 104K-T | T | 54.3/3.9 |
| C1564 | 4030011600 | S.CER C1608 JB 1E 104K-T | T | 48.8/3.6 |
| C1565 | 4030011600 | S.CER C1608 JB 1E 104K-T | T | 40.5/3.2 |
| C1566 | 4030011600 | S.CER C1608 JB 1E 104K-T | T | 35.0/15.9 |
| C1567 | 4030011600 | S.CER C1608 JB 1E 104K-T | T | 35.9/24.4 |
| C1568 | 4030011600 | S.CER C1608 JB 1E 104K-T | T | 35.9/30.4 |
| C1569 | 4030011600 | S.CER C1608 JB 1E 104K-T | T | 44.8/34.0 |
| C1570 | 4030011600 | S.CER C1608 JB 1E 104K-T | T | 52.2/34.0 |
| C1571 | 4030011600 | S.CER C1608 JB 1E 104K-T | T | 54.6/34.0 |
| C1572 | 4030011600 | S.CER C1608 JB 1E 104K-T | T | 58.8/33.3 |
| C1573 | 4030011600 | S.CER C1608 JB 1E 104K-T | T | 65.0/27.6 |
| C1574 | 4030011600 | S.CER C1608 JB 1E 104K-T | T | 65.0/19.2 |
| C1575 | 4030011600 | S.CER C1608 JB 1E 104K-T | T | 51.0/34.0 |
| C1576 | 4030011600 | S.CER C1608 JB 1E 104K-T | T | 61.4/33.3 |
| C1592 | 4030017490 | S.CER C1608 JB 1A 105K-T | T | 78.4/9.9 |
| C1593 | 4030017490 | S.CER C1608 JB 1A 105K-T | T | 78.9/24.3 |
| C1594 | 4030019460 | S.CER C1608 JB 0J 106M-T | T | 76.1/8.7 |
| C1595 | 4510009820 | S.ELE EEEFK1C470P | T | 78.0/4.5 |
| C1601 | 4030011600 | S.CER C1608 JB 1E 104K-T | T | 45.9/49.4 |
| C1602 | 4030019490 | S.CER C2012 JB 1A 106K-T | T | 48.9/49.3 |
| C1603 | 4030017490 | S.CER C1608 JB 1A 105K-T | T | 37.3/49.4 |
| C1604 | 4030017490 | S.CER C1608 JB 1A 105K-T | T | 53.8/46.7 |
| C1605 | 4030011600 | S.CER C1608 JB 1E 104K-T | T | 38.8/47.0 |
| C1606 | 4030011600 | S.CER C1608 JB 1E 104K-T | T | 43.3/44.3 |
| C1621 | 4030011600 | S.CER C1608 JB 1E 104K-T | T | 44.3/57.7 |
| C1622 | 4030019490 | S.CER C2012 JB 1A 106K-T | T | 44.4/56.2 |
| C1623 | 4030011600 | S.CER C1608 JB 1E 104K-T | T | 37.2/53.2 |
| C1624 | 4030018580 | S.CER C1608 CH 1H 821J-T | T | 36.0/58.2 |
| C1625 | 4030018580 | S.CER C1608 CH 1H 821J-T | T | 38.9/59.4 |
| C1626 | 4030011600 | S.CER C1608 JB 1E 104K-T | T | 40.7/53.2 |
| C1627 | 4030018620 | S.CER C1608 CH 1H 222J-T | T | 36.1/60.6 |
| C1641 | 4030011600 | S.CER C1608 JB 1E 104K-T | T | 55.5/57.9 |
| C1642 | 4030019490 | S.CER C2012 JB 1A 106K-T | T | 55.8/59.4 |
| C1643 | 4030011600 | S.CER C1608 JB 1E 104K-T | T | 47.5/53.2 |
| C1644 | 4030018580 | S.CER C1608 CH 1H 821J-T | T | 47.0/58.3 |
| C1645 | 4030018580 | S.CER C1608 CH 1H 821J-T | T | 49.8/59.6 |
| C1646 | 4030011600 | S.CER C1608 JB 1E 104K-T | T | 55.3/55.1 |
| C1647 | 4030018620 | S.CER C1608 CH 1H 222J-T | T | 47.0/60.9 |
| C1661 | 4030019490 | S.CER C2012 JB 1A 106K-T | T | 29.4/54.5 |
| C1662 | 4030011600 | S.CER C1608 JB 1E 104K-T | T | 30.9/54.5 |
| C1663 | 4030019490 | S.CER C2012 JB 1A 106K-T | T | 24.7/51.7 |
| C1664 | 4030011600 | S.CER C1608 JB 1E 104K-T | T | 29.0/57.8 |
| C1665 | 4030011600 | S.CER C1608 JB 1E 104K-T | T | 17.9/56.9 |
| C1666 | 4030011600 | S.CER C1608 JB 1E 104K-T | T | 16.7/56.9 |
| C1667 | 4030019490 | S.CER C2012 JB 1A 106K-T | T | 24.8/49.1 |
| C1668 | 4030011600 | S.CER C1608 JB 1E 104K-T | T | 21.8/48.8 |
| C1681 | 4030011600 | S.CER C1608 JB 1E 104K-T | T | 2.8/55.0 |
| C1691 | 4030011600 | S.CER C1608 JB 1E 104K-T | T | 29.5/24.7 |
| C1692 | 4030019490 | S.CER C2012 JB 1A 106K-T | T | 19.7/92.0 |
| C1693 | 4030019490 | S.CER C2012 JB 1A 106K-T | T | 10.2/88.9 |
| C1701 | 4030019490 | S.CER C2012 JB 1A 106K-T | T | 11.7/62.0 |
| C1702 | 4030019490 | S.CER C2012 JB 1A 106K-T | T | 17.9/65.9 |
| C1703 | 4030017800 | S.CER C1608 CH 1H 561J-T | T | 6.1/66.7 |
| C1704 | 4030007170 | S.CER C1608 CH 1H 221J-T | T | 5.4/70.3 |
| C1705 | 4030017800 | S.CER C1608 CH 1H 561J-T | T | 12.7/64.8 |
| C1706 | 4030007170 | S.CER C1608 CH 1H 221J-T | T | 8.7/67.2 |
| C1707 | 4030007170 | S.CER C1608 CH 1H 221J-T | T | 12.7/68.4 |
| C1708 | 4030007170 | S.CER C1608 CH 1H 221J-T | T | 15.6/67.2 |
| C1709 | 4030017490 | S.CER C1608 JB 1A 105K-T | T | 9.8/73.4 |
| C1710 | 4030017490 | S.CER C1608 JB 1A 105K-T | T | 17.2/71.6 |
| C1711 | 4030011600 | S.CER C1608 JB 1E 104K-T | T | 8.7/68.4 |
| C1712 | 4030019490 | S.CER C2012 JB 1A 106K-T | T | 12.7/73.7 |
| C2011 | 4030007070 | S.CER C1608 CH 1H 330J-T | T | 59.8/78.2 |
| C2012 | 4030006880 | S.CER C1608 JB 1H 472K-T | T | 70.3/82.1 |
| C2013 | 4030006860 | S.CER C1608 JB 1H 102K-T | T | 68.8/78.3 |
| C2014 | 4030006880 | S.CER C1608 JB 1H 472K-T | T | 74.9/77.7 |
| C2015 | 4030006880 | S.CER C1608 JB 1H 472K-T | T | 64.2/76.9 |
| C2016 | 4030006880 | S.CER C1608 JB 1H 472K-T | T | 64.3/83.8 |
| C2017 | 4030006860 | S.CER C1608 JB 1H 102K-T | T | 63.3/82.5 |
| C2021 | 4030006880 | S.CER C1608 JB 1H 472K-T | T | 62.9/61.2 |
| C2022 | 4030007100 | S.CER C1608 CH 1H 560J-T | T | 60.3/61.2 |
| C2023 | 4030007060 | S.CER C1608 CH 1H 270J-T | T | 61.4/60.0 |
| C2024 | 4030007140 | S.CER C1608 CH 1H 121J-T | T | 58.8/60.0 |
| C2025 | 4030007100 | S.CER C1608 CH 1H 560J-T | T | 63.0/56.2 |
| C2026 | 4030007110 | S.CER C1608 CH 1H 680J-T | T | 60.4/56.2 |
| C2040 | 4030007060 | S.CER C1608 CH 1H 270J-T | T | 72.0/71.6 |
| C2041 | 4030006880 | S.CER C1608 JB 1H 472K-T | T | 75.9/70.4 |
| C2042 | 4030011600 | S.CER C1608 JB 1E 104K-T | T | 72.8/67.8 |
| C2043 | 4030006880 | S.CER C1608 JB 1H 472K-T | T | 72.1/66.6 |
| C2044 | 4030011600 | S.CER C1608 JB 1E 104K-T | T | 72.6/53.8 |
| C2045 | 4030019490 | S.CER C2012 JB 1A 106K-T | T | 70.6/53.3 |
| C2046 | 4030006880 | S.CER C1608 JB 1H 472K-T | T | 72.6/55.0 |
| C2047 | 4030011600 | S.CER C1608 JB 1E 104K-T | T | 75.2/55.0 |
| C2048 | 4030019490 | S.CER C2012 JB 1A 106K-T | T | 75.6/53.5 |
| C2049 | 4030011600 | S.CER C1608 JB 1E 104K-T | T | 71.6/60.7 |
| C2050 | 4030009880 | S.CER C1608 JB 1H 682K-T | T | 71.6/59.5 |
| C2051 | 4030009910 | S.CER C1608 CH 1H 040B-T | T | 70.1/58.3 |
| C2052 | 4030009880 | S.CER C1608 JB 1H 682K-T | T | 69.0/57.1 |

Eqv.= This component is equivalent to the REF No. component listed above, and may be substituted on parts orders and repairs.

[MAIN UNIT]

| REF NO. | PARTS NO. | DESCRIPTION | M. | H/V LOCATION |
|---------|------------|--------------------------|----|--------------|
| C2053 | 4030007090 | S.CER C1608 CH 1H 470J-T | T | 59.0/41.9 |
| C2054 | 4030018620 | S.CER C1608 CH 1H 222J-T | T | 69.0/55.9 |
| C2055 | 4030006880 | S.CER C1608 JB 1H 472K-T | T | 65.8/53.6 |
| C2061 | 4030006990 | S.CER C1608 CH 1H 080D-T | T | 63.0/69.3 |
| C2070 | 4030006980 | S.CER C1608 CH 1H 070D-T | T | 86.1/77.5 |
| C2071 | 4030007070 | S.CER C1608 CH 1H 330J-T | T | 79.0/81.3 |
| C2072 | 4030010760 | S.CER C1608 CH 1H 331J-T | T | 80.6/80.1 |
| C2073 | 4030007070 | S.CER C1608 CH 1H 330J-T | T | 81.6/81.3 |
| C2074 | 4030010760 | S.CER C1608 CH 1H 331J-T | T | 83.4/80.1 |
| C2075 | 4030007090 | S.CER C1608 CH 1H 470J-T | T | 84.2/81.3 |
| C2076 | 4030007110 | S.CER C1608 CH 1H 680J-T | T | 86.1/76.3 |
| C2077 | 4030007040 | S.CER C1608 CH 1H 180J-T | T | 87.6/81.3 |
| C2078 | 4030007150 | S.CER C1608 CH 1H 151J-T | T | 87.7/75.2 |
| C2079 | 4030011770 | S.CER C1608 CH 1H 060B-T | T | 85.8/72.8 |
| C2080 | 4030007150 | S.CER C1608 CH 1H 151J-T | T | 83.2/73.4 |
| C2081 | 4030011770 | S.CER C1608 CH 1H 060B-T | T | 87.3/68.1 |
| C2082 | 4030007120 | S.CER C1608 CH 1H 820J-T | T | 83.9/71.7 |
| C2083 | 4030011770 | S.CER C1608 CH 1H 060B-T | T | 85.8/74.0 |
| C2091 | 4030006860 | S.CER C1608 JB 1H 102K-T | T | 83.2/66.9 |
| C2092 | 4030006860 | S.CER C1608 JB 1H 102K-T | T | 80.2/68.1 |
| C2093 | 4030006860 | S.CER C1608 JB 1H 102K-T | T | 80.2/64.3 |
| C2101 | 4030007080 | S.CER C1608 CH 1H 390J-T | T | 92.0/61.5 |
| C2102 | 4030009530 | S.CER C1608 CH 1H 030B-T | T | 94.6/62.1 |
| C2103 | 4030007110 | S.CER C1608 CH 1H 680J-T | T | 93.4/60.3 |
| C2104 | 4030006980 | S.CER C1608 CH 1H 070D-T | T | 96.1/60.9 |
| C2105 | 4030007030 | S.CER C1608 CH 1H 150J-T | T | 96.1/59.7 |
| C2131 | 4030011770 | S.CER C1608 CH 1H 060B-T | T | 50.2/64.1 |
| C2132 | 4030007150 | S.CER C1608 CH 1H 151J-T | T | 50.2/65.4 |
| C2133 | 4030009910 | S.CER C1608 CH 1H 040B-T | T | 47.6/64.1 |
| C2134 | 4030007120 | S.CER C1608 CH 1H 820J-T | T | 47.6/65.4 |
| C2135 | 4030009920 | S.CER C1608 CH 1H 050B-T | T | 45.0/64.1 |
| C2136 | 4030007080 | S.CER C1608 CH 1H 390J-T | T | 45.0/65.4 |
| C2137 | 4030006980 | S.CER C1608 CH 1H 070D-T | T | 43.5/66.6 |
| C2138 | 4030007050 | S.CER C1608 CH 1H 220J-T | T | 43.5/68.0 |
| C2139 | 4030009530 | S.CER C1608 CH 1H 030B-T | T | 38.6/66.2 |
| C2140 | 4030007070 | S.CER C1608 CH 1H 330J-T | T | 41.1/70.0 |
| C2141 | 4030009510 | S.CER C1608 CH 1H 010B-T | T | 38.5/70.0 |
| C2142 | 4030007080 | S.CER C1608 CH 1H 390J-T | T | 40.0/71.2 |
| C2143 | 4030009500 | S.CER C1608 CH 1H 0R5B-T | T | 40.0/72.5 |
| C2144 | 4030007040 | S.CER C1608 CH 1H 180J-T | T | 42.6/71.2 |
| C2145 | 4030011770 | S.CER C1608 CH 1H 060B-T | T | 42.6/72.5 |
| C2151 | 4030006860 | S.CER C1608 JB 1H 102K-T | T | 41.5/75.1 |
| C2152 | 4030006860 | S.CER C1608 JB 1H 102K-T | T | 43.4/77.2 |
| C2153 | 4030011600 | S.CER C1608 JB 1E 104K-T | T | 42.8/81.6 |
| C2154 | 4030006990 | S.CER C1608 CH 1H 080D-T | T | 43.6/83.1 |
| C2501 | 4030011600 | S.CER C1608 JB 1E 104K-T | T | 52.4/85.2 |
| C2502 | 4030011600 | S.CER C1608 JB 1E 104K-T | T | 51.3/80.2 |
| C2503 | 4030006880 | S.CER C1608 JB 1H 472K-T | T | 57.1/78.2 |
| C2504 | 4030011600 | S.CER C1608 JB 1E 104K-T | T | 57.1/77.0 |
| C2548 | 4030011600 | S.CER C1608 JB 1E 104K-T | T | 42.4/86.1 |
| C2549 | 4030011600 | S.CER C1608 JB 1E 104K-T | T | 43.8/86.1 |
| C2550 | 4030007050 | S.CER C1608 CH 1H 220J-T | T | 46.0/85.7 |
| C2551 | 4030011600 | S.CER C1608 JB 1E 104K-T | T | 46.5/86.9 |
| C2553 | 4030011600 | S.CER C1608 JB 1E 104K-T | T | 36.6/92.4 |
| C2554 | 4030019490 | S.CER C2012 JB 1A 106K-T | T | 51.0/90.8 |
| C2555 | 4030011600 | S.CER C1608 JB 1E 104K-T | T | 50.8/89.2 |
| C2556 | 4030019460 | S.CER C1608 JB 0J 106M-T | T | 49.4/88.0 |
| C2557 | 4030011600 | S.CER C1608 JB 1E 104K-T | T | 51.3/94.7 |
| C2558 | 4030006880 | S.CER C1608 JB 1H 472K-T | T | 47.0/99.3 |
| C2559 | 4030019490 | S.CER C2012 JB 1A 106K-T | T | 36.4/90.9 |
| C2560 | 4030007070 | S.CER C1608 CH 1H 330J-T | T | 43.1/84.3 |
| C2563 | 4030007060 | S.CER C1608 CH 1H 270J-T | T | 65.3/90.4 |
| C2564 | 4030007120 | S.CER C1608 CH 1H 820J-T | T | 65.4/95.6 |
| C2565 | 4030007060 | S.CER C1608 CH 1H 270J-T | T | 67.5/96.4 |
| C2566 | 4030007030 | S.CER C1608 CH 1H 150J-T | T | 65.4/96.8 |
| C2575 | 4030007100 | S.CER C1608 CH 1H 560J-T | T | 80.3/95.1 |
| C2576 | 4030007070 | S.CER C1608 CH 1H 330J-T | T | 80.2/90.1 |
| C2577 | 4030007150 | S.CER C1608 CH 1H 151J-T | T | 81.8/96.3 |
| C2578 | 4030007100 | S.CER C1608 CH 1H 560J-T | T | 82.4/98.7 |
| C2579 | 4030007040 | S.CER C1608 CH 1H 180J-T | T | 85.2/95.1 |
| C2580 | 4030007080 | S.CER C1608 CH 1H 390J-T | T | 85.2/93.9 |
| C2581 | 4030007050 | S.CER C1608 CH 1H 220J-T | T | 87.8/93.7 |
| C2582 | 4030007140 | S.CER C1608 CH 1H 121J-T | T | 81.8/97.5 |
| C2594 | 4030007080 | S.CER C1608 CH 1H 390J-T | T | 54.4/89.3</ |

[MAIN UNIT]

| REF NO. | PARTS NO. | DESCRIPTION | M. | H/V LOCATION |
|---------|------------|--------------------------|----|--------------|
| C2713 | 4030007050 | S.CER C1608 CH 1H 220J-T | T | 149.4/78.9 |
| C2714 | 4030007050 | S.CER C1608 CH 1H 220J-T | T | 149.4/80.1 |
| C2715 | 4030007130 | S.CER C1608 CH 1H 101J-T | T | 98.9/17.0 |
| C2800 | 4030009530 | S.CER C1608 CH 1H 030B-T | T | 121.0/98.4 |
| C2801 | 4030010000 | S.CER C1608 CH 1H 510J-T | T | 117.7/99.6 |
| C2802 | 4030007060 | S.CER C1608 CH 1H 270J-T | T | 120.3/99.6 |
| C2803 | 4030007070 | S.CER C1608 CH 1H 330J-T | T | 122.9/99.6 |
| C2804 | 4030006880 | S.CER C1608 JB 1H 472K-T | T | 125.5/99.6 |
| C2805 | 4030018580 | S.CER C1608 CH 1H 821J-T | T | 118.4/98.4 |
| C2806 | 4030011340 | S.CER C1608 CH 1H 471J-T | T | 121.6/97.2 |
| C2807 | 4030007090 | S.CER C1608 CH 1H 470J-T | T | 126.4/94.6 |
| C2808 | 4030006980 | S.CER C1608 CH 1H 070D-T | T | 127.0/98.4 |
| C2809 | 4030006880 | S.CER C1608 JB 1H 472K-T | T | 138.5/97.2 |
| C2810 | 4030007130 | S.CER C1608 CH 1H 101J-T | T | 129.2/94.8 |
| C2811 | 4030009920 | S.CER C1608 CH 1H 050B-T | T | 128.5/99.6 |
| C2812 | 4030007120 | S.CER C1608 CH 1H 820J-T | T | 131.8/94.8 |
| C2813 | 4030009500 | S.CER C1608 CH 1H 0R5B-T | T | 133.3/97.2 |
| C2814 | 4030007060 | S.CER C1608 CH 1H 270J-T | T | 131.8/96.0 |
| C2815 | 4030007110 | S.CER C1608 CH 1H 680J-T | T | 134.4/96.0 |
| C2816 | 4030006880 | S.CER C1608 JB 1H 472K-T | T | 141.8/95.1 |
| C2817 | 4030009530 | S.CER C1608 CH 1H 030B-T | T | 123.6/98.4 |
| C2850 | 4030009530 | S.CER C1608 CH 1H 030B-T | T | 122.3/91.6 |
| C2851 | 4030009500 | S.CER C1608 CH 1H 0R5B-T | T | 133.3/90.4 |
| C2852 | 4030007090 | S.CER C1608 CH 1H 470J-T | T | 118.4/92.8 |
| C2853 | 4030007060 | S.CER C1608 CH 1H 270J-T | T | 121.0/92.8 |
| C2854 | 4030007060 | S.CER C1608 CH 1H 270J-T | T | 123.6/93.1 |
| C2855 | 4030006880 | S.CER C1608 JB 1H 472K-T | T | 126.2/93.1 |
| C2856 | 4030017800 | S.CER C1608 CH 1H 561J-T | T | 118.8/91.6 |
| C2857 | 4030010760 | S.CER C1608 CH 1H 331J-T | T | 121.8/90.4 |
| C2858 | 4030010000 | S.CER C1608 CH 1H 510J-T | T | 125.6/87.8 |
| C2859 | 4030006980 | S.CER C1608 CH 1H 070D-T | T | 127.7/91.6 |
| C2860 | 4030018020 | S.CER C1608 CH 1H 910J-T | T | 129.2/87.8 |
| C2861 | 4030006880 | S.CER C1608 JB 1H 472K-T | T | 138.5/90.4 |
| C2862 | 4030009530 | S.CER C1608 CH 1H 030B-T | T | 131.0/89.0 |
| C2863 | 4030018020 | S.CER C1608 CH 1H 910J-T | T | 131.8/87.8 |
| C2865 | 4030006880 | S.CER C1608 JB 1H 472K-T | T | 141.8/88.2 |
| C2866 | 4030007030 | S.CER C1608 CH 1H 150J-T | T | 137.0/88.0 |
| C2867 | 4030007150 | S.CER C1608 CH 1H 151J-T | T | 123.6/87.9 |
| C2900 | 4030011770 | S.CER C1608 CH 1H 060B-T | T | 122.3/84.8 |
| C2901 | 4030007070 | S.CER C1608 CH 1H 330J-T | T | 118.4/86.0 |
| C2902 | 4030010760 | S.CER C1608 CH 1H 331J-T | T | 119.1/84.8 |
| C2903 | 4030009990 | S.CER C1608 CH 1H 200J-T | T | 121.0/86.0 |
| C2904 | 4030007170 | S.CER C1608 CH 1H 221J-T | T | 122.3/83.6 |
| C2905 | 4030007040 | S.CER C1608 CH 1H 180J-T | T | 123.6/86.0 |
| C2906 | 4030006880 | S.CER C1608 JB 1H 472K-T | T | 126.2/86.0 |
| C2907 | 4030011770 | S.CER C1608 CH 1H 060B-T | T | 127.7/84.8 |
| C2908 | 4030007100 | S.CER C1608 CH 1H 560J-T | T | 125.6/81.0 |
| C2909 | 4030009530 | S.CER C1608 CH 1H 030B-T | T | 131.0/82.2 |
| C2910 | 4030009510 | S.CER C1608 CH 1H 010B-T | T | 133.3/83.6 |
| C2911 | 4030006880 | S.CER C1608 JB 1H 472K-T | T | 138.5/83.6 |
| C2912 | 4030007120 | S.CER C1608 CH 1H 820J-T | T | 129.2/81.0 |
| C2913 | 4030018020 | S.CER C1608 CH 1H 910J-T | T | 131.8/81.0 |
| C2914 | 4030007100 | S.CER C1608 CH 1H 560J-T | T | 134.4/82.4 |
| C2915 | 4030006880 | S.CER C1608 JB 1H 472K-T | T | 141.8/81.5 |
| C2950 | 4030009530 | S.CER C1608 CH 1H 030B-T | T | 119.0/78.0 |
| C2951 | 4030007060 | S.CER C1608 CH 1H 270J-T | T | 118.4/79.2 |
| C2952 | 4030010760 | S.CER C1608 CH 1H 331J-T | T | 118.8/76.8 |
| C2953 | 4030007040 | S.CER C1608 CH 1H 180J-T | T | 121.0/79.2 |
| C2954 | 4030007170 | S.CER C1608 CH 1H 221J-T | T | 122.3/78.0 |
| C2955 | 4030009990 | S.CER C1608 CH 1H 200J-T | T | 123.6/79.2 |
| C2956 | 4030006880 | S.CER C1608 JB 1H 472K-T | T | 126.2/79.2 |
| C2957 | 4030007090 | S.CER C1608 CH 1H 470J-T | T | 125.6/73.5 |
| C2958 | 4030009920 | S.CER C1608 CH 1H 050B-T | T | 127.7/78.0 |
| C2959 | 4030007110 | S.CER C1608 CH 1H 680J-T | T | 129.2/74.2 |
| C2960 | 4030009530 | S.CER C1608 CH 1H 030B-T | T | 131.0/75.4 |
| C2961 | 4030007110 | S.CER C1608 CH 1H 680J-T | T | 131.8/74.2 |
| C2962 | 4030011770 | S.CER C1608 CH 1H 060B-T | T | 133.3/76.8 |
| C2963 | 4030007090 | S.CER C1608 CH 1H 470J-T | T | 134.4/75.6 |
| C2964 | 4030006880 | S.CER C1608 JB 1H 472K-T | T | 138.6/76.8 |
| C2965 | 4030006880 | S.CER C1608 JB 1H 472K-T | T | 141.7/74.6 |
| C2966 | 4030006880 | S.CER C1608 JB 1H 472K-T | T | 176.8/23.5 |
| C2967 | 4030007130 | S.CER C1608 CH 1H 101J-T | T | 124.9/78.0 |
| C2968 | 4030006880 | S.CER C1608 JB 1H 472K-T | T | 189.1/10.8 |
| C2969 | 4030006860 | S.CER C1608 JB 1H 102K-T | T | 187.9/9.2 |
| C2970 | 4030007130 | S.CER C1608 CH 1H 101J-T | T | 98.1/72.0 |
| C2971 | 4030011600 | S.CER C1608 JB 1E 104K-T | T | 97.9/3.7 |
| C2972 | 4030011600 | S.CER C1608 JB 1E 104K-T | T | 103.7/8.4 |
| C2973 | 4030011600 | S.CER C1608 JB 1E 104K-T | T | 94.5/1.8 |
| C2974 | 4030011600 | S.CER C1608 JB 1E 104K-T | T | 92.6/11.7 |
| C2975 | 4030011600 | S.CER C1608 JB 1E 104K-T | T | 95.2/13.3 |
| C2976 | 4030011600 | S.CER C1608 JB 1E 104K-T | T | 92.6/13.4 |
| C2977 | 4030011600 | S.CER C1608 JB 1E 104K-T | T | 101.3/6.4 |
| C2981 | 4030006880 | S.CER C1608 JB 1H 472K-T | T | 169.3/2.2 |
| C2982 | 4030019090 | S.CER C2012 JB 1C 225M-T | T | 148.4/4.2 |
| C2983 | 4030006880 | S.CER C1608 JB 1H 472K-T | T | 147.0/1.9 |
| C2984 | 4030006880 | S.CER C1608 JB 1H 472K-T | T | 140.5/3.3 |
| C2985 | 4030006860 | S.CER C1608 JB 1H 102K-T | T | 123.1/6.4 |
| C2986 | 4030006860 | S.CER C1608 JB 1H 102K-T | T | 130.5/5.2 |
| C2987 | 4030006860 | S.CER C1608 JB 1H 102K-T | T | 135.1/3.2 |
| C2988 | 4030006860 | S.CER C1608 JB 1H 102K-T | T | 137.8/3.2 |
| C2989 | 4030006880 | S.CER C1608 JB 1H 472K-T | T | 181.9/5.9 |
| C2991 | 4030006880 | S.CER C1608 JB 1H 472K-T | T | 157.4/3.8 |
| C2992 | 4030006880 | S.CER C1608 JB 1H 472K-T | T | 154.8/2.6 |
| C2993 | 4030006880 | S.CER C1608 JB 1H 472K-T | T | 160.3/2.6 |
| C2994 | 4030006880 | S.CER C1608 JB 1H 472K-T | T | 162.9/1.7 |
| C2996 | 4030006880 | S.CER C1608 JB 1H 472K-T | T | 180.5/27.2 |
| C2997 | 4030006880 | S.CER C1608 JB 1H 472K-T | T | 181.7/27.2 |
| C2998 | 4030006880 | S.CER C1608 JB 1H 472K-T | T | 182.9/27.2 |

Eqv.= This component is equivalent to the REF No. component listed above, and may be substituted on parts orders and repairs.

[MAIN UNIT]

| REF NO. | PARTS NO. | DESCRIPTION | M. | H/V LOCATION |
|---------|------------|-----------------------------|----|--------------|
| C2999 | 4030006880 | S.CER C1608 JB 1H 472K-T | T | 184.1/27.2 |
| C3000 | 4030006880 | S.CER C1608 JB 1H 472K-T | T | 185.3/27.2 |
| C3001 | 4030006880 | S.CER C1608 JB 1H 472K-T | T | 186.5/27.2 |
| C3002 | 4030006880 | S.CER C1608 JB 1H 472K-T | T | 97.1/14.6 |
| C3005 | 4030006880 | S.CER C1608 JB 1H 472K-T | T | 179.0/13.7 |
| C3006 | 4030006880 | S.CER C1608 JB 1H 472K-T | T | 177.2/1.6 |
| C3010 | 4030019490 | S.CER C2012 JB 1A 106K-T | T | 135.9/56.0 |
| C3011 | 4030019490 | S.CER C2012 JB 1A 106K-T | T | 135.6/40.6 |
| C3026 | 4030006880 | S.CER C1608 JB 1H 472K-T | T | 136.6/54.5 |
| C3027 | 4030006880 | S.CER C1608 JB 1H 472K-T | T | 135.2/42.2 |
| C3201 | 4030011600 | S.CER C1608 JB 1E 104K-T | T | 173.4/59.0 |
| C3202 | 4030006880 | S.CER C1608 JB 1H 472K-T | T | 171.8/56.6 |
| C3203 | 4030011600 | S.CER C1608 JB 1E 104K-T | T | 174.4/56.6 |
| C3204 | 4030007040 | S.CER C1608 CH 1H 180J-T | T | 175.4/53.2 |
| C3205 | 4030007040 | S.CER C1608 CH 1H 180J-T | T | 181.8/52.8 |
| C3206 | 4030019490 | S.CER C2012 JB 1A 106K-T | T | 175.9/54.7 |
| C3207 | 4030011600 | S.CER C1608 JB 1E 104K-T | T | 184.4/57.5 |
| C3208 | 4030011600 | S.CER C1608 JB 1E 104K-T | T | 182.0/54.0 |
| C3209 | 4030011600 | S.CER C1608 JB 1E 104K-T | T | 180.6/66.1 |
| C3210 | 4030006880 | S.CER C1608 JB 1H 472K-T | T | 190.0/59.4 |
| C3214 | 4030011600 | S.CER C1608 JB 1E 104K-T | T | 169.1/63.8 |
| C3215 | 4030019490 | S.CER C2012 JB 1A 106K-T | T | 180.8/45.2 |
| C3216 | 4030019490 | S.CER C2012 JB 1A 106K-T | T | 172.9/45.4 |
| C3217 | 4030019490 | S.CER C2012 JB 1A 106K-T | T | 183.6/37.6 |
| C3218 | 4030007040 | S.CER C1608 CH 1H 180J-T | T | 174.0/34.4 |
| C3219 | 4030007040 | S.CER C1608 CH 1H 180J-T | T | 179.2/34.4 |
| C3220 | 4030019490 | S.CER C2012 JB 1A 106K-T | T | 183.6/74.8 |
| C3221 | 4030017490 | S.CER C1608 JB 1A 105K-T | T | 182.5/73.2 |
| C3222 | 4030017490 | S.CER C1608 JB 1A 105K-T | T | 180.1/74.5 |
| C3223 | 4030011600 | S.CER C1608 JB 1E 104K-T | T | 169.7/67.2 |
| C3224 | 4030011600 | S.CER C1608 JB 1E 104K-T | T | 182.2/46.8 |
| C3225 | 4030019460 | S.CER C1608 JB 0J 106M-T | T | 169.6/40.4 |
| C3226 | 4030019490 | S.CER C2012 JB 1A 106K-T | T | 176.2/45.4 |
| C3227 | 4030011600 | S.CER C1608 JB 1E 104K-T | T | 175.9/46.9 |
| C3228 | 4030019460 | S.CER C1608 JB 0J 106M-T | T | 171.4/36.4 |
| C3229 | 4030011600 | S.CER C1608 JB 1E 104K-T | T | 185.7/38.0 |
| C3230 | 4030019490 | S.CER C2012 JB 1A 106K-T | T | 173.5/65.0 |
| C3231 | 4030007090 | S.CER C1608 CH 1H 470J-T | T | 82.8/27.7 |
| C3232 | 4030007090 | S.CER C1608 CH 1H 470J-T | T | 18.8/9.4 |
| C3233 | 4030007090 | S.CER C1608 CH 1H 470J-T | T | 17.7/10.8 |
| C3234 | 4030007090 | S.CER C1608 CH 1H 470J-T | T | 17.7/12.2 |
| C3235 | 4030007090 | S.CER C1608 CH 1H 470J-T | T | 17.7/13.6 |
| C3236 | 4030007090 | S.CER C1608 CH 1H 470J-T | T | 17.7/14.8 |
| C3237 | 4030007150 | S.CER C1608 CH 1H 151J-T | T | 118.0/45.5 |
| C3238 | 4030007150 | S.CER C1608 CH 1H 151J-T | T | 118.0/44.2 |
| C3239 | 4030007150 | S.CER C1608 CH 1H 151J-T | T | 120.3/47.6 |
| C3240 | 4030007150 | S.CER C1608 CH 1H 151J-T | T | 120.3/48.8 |
| C3241 | 4030006880 | S.CER C1608 JB 1H 472K-T | T | 96.6/68.0 |
| C3242 | 4030018970 | S.CER C3225 JB 1C 226M-TN | T | 30.6/97.6 |
| C3243 | 4030011600 | S.CER C1608 JB 1E 104K-T | T | 26.6/99.8 |
| C3244 | 4030011600 | S.CER C1608 JB 1E 104K-T | T | 23.5/99.8 |
| C3245 | 4030018970 | S.CER C3225 JB 1C 226M-TN | T | 19.4/97.6 |
| C3246 | 4030019090 | S.CER C2012 JB 1C 225M-T | T | 21.4/101.3 |
| C3247 | 4030019090 | S.CER C2012 JB 1C 225M-T | T | 28.6/101.3 |
| C3248 | 4030006880 | S.CER C1608 CH 1H 070D-T | T | 131.8/73.0 |
| C3249 | 4030006880 | S.CER C1608 JB 1H 472K-T | T | 20.4/2.3 |
| C3250 | 4030007150 | S.CER C1608 CH 1H 151J-T | T | 165.6/65.3 |
| C3254 | 4030019460 | S.CER C1608 JB 0J 106M-T | T | 184.4/56.3 |
| C3255 | 4030007090 | S.CER C1608 CH 1H 470J-T | T | 141.5/14.3 |
| J1 | 6510024151 | S.CON 50FY-BMT-TB(LF)(SN) | T | 14.1/28.7 |
| J2 | 6510024151 | S.CON 50FY-BMT-TB(LF)(SN) | T | 25.3/28.7 |
| J4 | 6510024151 | S.CON 50FY-BMT-TB(LF)(SN) | T | 172.8/18.0 |
| J5 | 6510024151 | S.CON 50FY-BMT-TB(LF)(SN) | T | 132.9/9.4 |
| J6 | 6510024151 | S.CON 50FY-BMT-TB(LF)(SN) | T | 163.1/9.4 |
| J7 | 6510028210 | CON SJ050010 (TMP-J01X-V6) | | |
| J8 | 6450000140 | CON HSJ0807-01-010 | | |
| J9 | 6450000140 | CON HSJ0807-01-010 | | |
| J11 | 6510019971 | S.CON 52808-1071 | T | 89.0/6.7 |
| J1531 | 6510025840 | S.CON AXN316C038P | T | 38.3/38.4 |
| J3201 | 6510026540 | CON UBB-4R-D14T-4D(LF)(SN) | | |
| J3203 | 6510014961 | S.CON B2B-ZR-SM4-TF(LF)(SN) | T | 161.9/82.9 |
| EP1 | 6910018930 | S.BEA MPZ2012S601A | T | 192.3/86.5 |
| EP2 | 6910012350 | S.BEA MMZ1608Y 102BT | T | 186.4/71.8 |
| EP3 | 6910012350 | S.BEA MMZ1608Y 102BT | T | |

[MAIN UNIT]

| REF NO. | PARTS NO. | DESCRIPTION | M. | H/V LOCATION |
|---------|------------|----------------------|----|--------------|
| EP1081 | 6910012350 | S.BEA MMZ1608Y 102BT | T | 163.5/90.1 |
| EP1551 | 6910012350 | S.BEA MMZ1608Y 102BT | T | 43.6/34.0 |
| EP2091 | 6910012350 | S.BEA MMZ1608Y 102BT | T | 80.2/69.5 |
| EP2151 | 6910012350 | S.BEA MMZ1608Y 102BT | T | 45.2/78.0 |
| EP2501 | 6910012350 | S.BEA MMZ1608Y 102BT | T | 57.1/82.0 |
| EP2502 | 6910012350 | S.BEA MMZ1608Y 102BT | T | 38.2/80.4 |
| EP2541 | 6910012350 | S.BEA MMZ1608Y 102BT | T | 37.9/84.6 |
| EP2542 | 6910012350 | S.BEA MMZ1608Y 102BT | T | 36.1/85.1 |
| EP2544 | 6910012350 | S.BEA MMZ1608Y 102BT | T | 37.9/85.8 |
| EP2561 | 6910002161 | CAS CASE-BM7H-LF | | |
| EP2566 | 6910002161 | CAS CASE-BM7H-LF | | |
| EP2601 | 6910012350 | S.BEA MMZ1608Y 102BT | T | 99.8/90.5 |
| EP2602 | 6910019200 | S.BEA N2012ZPS121T50 | T | 171.1/22.1 |
| EP2603 | 6910012350 | S.BEA MMZ1608Y 102BT | T | 178.1/23.5 |
| EP2605 | 6910018930 | S.BEA MPZ2012S601A | T | 133.4/5.2 |
| EP2607 | 6910018930 | S.BEA MPZ2012S601A | T | 140.1/5.2 |
| EP2608 | 6910018930 | S.BEA MPZ2012S601A | T | 8.7/27.6 |
| EP2609 | 6910012350 | S.BEA MMZ1608Y 102BT | T | 9.1/26.0 |
| EP2610 | 6910018930 | S.BEA MPZ2012S601A | T | 9.0/29.6 |
| EP2611 | 6910019200 | S.BEA N2012ZPS121T50 | T | 127.0/6.1 |
| EP2612 | 6910018930 | S.BEA MPZ2012S601A | T | 8.9/22.7 |
| EP2613 | 6910018930 | S.BEA MPZ2012S601A | T | 165.1/86.3 |
| EP2614 | 6910018930 | S.BEA MPZ2012S601A | T | 159.7/86.8 |
| EP2615 | 6910018930 | S.BEA MPZ2012S601A | T | 9.7/24.5 |
| EP2618 | 6910012350 | S.BEA MMZ1608Y 102BT | T | 169.3/3.4 |
| EP2619 | 6910012350 | S.BEA MMZ1608Y 102BT | T | 181.1/15.7 |
| EP2620 | 6910012350 | S.BEA MMZ1608Y 102BT | T | 177.2/15.7 |
| EP2621 | 6910012350 | S.BEA MMZ1608Y 102BT | T | 184.5/5.9 |
| EP2622 | 6910018930 | S.BEA MPZ2012S601A | T | 171.8/12.8 |
| EP2627 | 6910012350 | S.BEA MMZ1608Y 102BT | T | 162.9/2.9 |
| EP2628 | 6910012350 | S.BEA MMZ1608Y 102BT | T | 160.3/3.8 |
| EP2629 | 6910012350 | S.BEA MMZ1608Y 102BT | T | 157.4/2.6 |
| EP2630 | 6910012350 | S.BEA MMZ1608Y 102BT | T | 157.4/5.0 |
| EP2633 | 6910012350 | S.BEA MMZ1608Y 102BT | T | 185.3/23.5 |
| EP2634 | 6910012350 | S.BEA MMZ1608Y 102BT | T | 184.1/23.5 |
| EP2635 | 6910012350 | S.BEA MMZ1608Y 102BT | T | 182.9/23.5 |
| EP2636 | 6910012350 | S.BEA MMZ1608Y 102BT | T | 181.7/23.5 |
| EP2637 | 6910012350 | S.BEA MMZ1608Y 102BT | T | 180.5/23.5 |
| EP2638 | 6910012350 | S.BEA MMZ1608Y 102BT | T | 186.5/23.5 |
| EP2641 | 6910012350 | S.BEA MMZ1608Y 102BT | T | 133.0/56.0 |
| EP2642 | 6910012350 | S.BEA MMZ1608Y 102BT | T | 137.8/44.1 |
| EP2643 | 6910012350 | S.BEA MMZ1608Y 102BT | T | 24.1/79.3 |
| EP2646 | 6910018930 | S.BEA MPZ2012S601A | T | 9.0/31.4 |
| EP2970 | 6910012350 | S.BEA MMZ1608Y 102BT | T | 93.5/67.6 |
| EP2971 | 6910012350 | S.BEA MMZ1608Y 102BT | T | 92.6/10.5 |
| EP2972 | 6910012350 | S.BEA MMZ1608Y 102BT | T | 96.1/11.6 |
| EP3201 | 6910012350 | S.BEA MMZ1608Y 102BT | T | 185.2/60.5 |
| EP3202 | 6910012350 | S.BEA MMZ1608Y 102BT | T | 183.7/44.9 |
| EP3203 | 6910012350 | S.BEA MMZ1608Y 102BT | T | 182.4/72.0 |
| EP3204 | 6910012350 | S.BEA MMZ1608Y 102BT | T | 179.5/75.7 |
| EP3205 | 6910012350 | S.BEA MMZ1608Y 102BT | T | 185.7/36.8 |
| EP3206 | 6910012350 | S.BEA MMZ1608Y 102BT | T | 184.2/48.3 |
| EP3207 | 6910012350 | S.BEA MMZ1608Y 102BT | T | 190.3/53.6 |
| EP3208 | 6910012350 | S.BEA MMZ1608Y 102BT | T | 172.2/75.2 |
| EP3241 | 6910012350 | S.BEA MMZ1608Y 102BT | T | 166.8/35.8 |
| EP3242 | 6910012350 | S.BEA MMZ1608Y 102BT | T | 165.6/33.2 |

[RF UNIT]

| REF NO. | PARTS NO. | DESCRIPTION | M. | H/V LOCATION |
|---------|------------|-----------------------------|----|--------------|
| IC141 | 1130011760 | S.IC CD4094BPWR | T | 13.7/15.8 |
| IC142 | 1130011760 | S.IC CD4094BPWR | T | 14.1/29.6 |
| IC181 | 1110006870 | S.IC UPC2709TB-E3 | T | 57.8/60.5 |
| IC462 | 1110004050 | S.IC NJM3404AV-TE1-#FMZB | T | 4.8/37.9 |
| IC463 | 1110004050 | S.IC NJM3404AV-TE1-#FMZB | T | 14.6/47.8 |
| IC464 | 1110004050 | S.IC NJM3404AV-TE1-#FMZB | T | 6.0/14.4 |
| Q12 | 1590000680 | S.TRA DTC114EUA T106 | T | 55.5/16.5 |
| Q141 | 1590001960 | S.TRA XP4311(TX) | T | 19.7/54.9 |
| Q142 | 1590001960 | S.TRA XP4311(TX) | T | 19.9/48.7 |
| Q143 | 1590001960 | S.TRA XP4311(TX) | T | 19.8/42.3 |
| Q144 | 1590001960 | S.TRA XP4311(TX) | T | 18.3/36.1 |
| Q145 | 1590001960 | S.TRA XP4311(TX) | T | 20.0/30.4 |
| Q146 | 1590001960 | S.TRA XP4311(TX) | T | 19.7/24.7 |
| Q147 | 1590001960 | S.TRA XP4311(TX) | T | 19.0/19.5 |
| Q148 | 1590001960 | S.TRA XP4311(TX) | T | 19.1/13.4 |
| Q155 | 1590001960 | S.TRA XP4311(TX) | T | 60.6/28.6 |
| Q156 | 1590001960 | S.TRA XP4311(TX) | T | 19.8/60.0 |
| Q157 | 1590001960 | S.TRA XP4311(TX) | T | 21.3/64.2 |
| Q161 | 1530003091 | S.TRA 2SC4213-B(TE85RF) | T | 57.2/43.6 |
| Q380 | 1530003852 | S.TRA 2SC5551A-F-TD-E | T | 41.6/70.9 |
| Q441 | 1530003852 | S.TRA 2SC5551A-F-TD-E | T | 7.5/64.2 |
| Q442 | 1590001960 | S.TRA XP4311(TX) | T | 6.7/55.2 |
| Q443 | 1590001960 | S.TRA XP4311(TX) | T | 9.3/55.0 |
| Q461 | 1510000510 | S.TRA 2SA1576A T106R | T | 4.6/26.1 |
| Q462 | 1590001050 | S.TRA DTC114TUA T106 | T | 10.6/47.6 |
| Q463 | 1590000680 | S.TRA DTC114EUA T106 | T | 10.3/40.9 |
| Q464 | 1590000720 | S.TRA DTA144EUA T106 | T | 8.8/45.9 |
| Q480 | 1530003091 | S.TRA 2SC4213-B(TE85RF) | T | 2.3/23.3 |
| Q501 | 1540000550 | S.TRA 2SD1664 T100Q | T | 55.3/84.8 |
| Q503 | 1590001960 | S.TRA XP4311(TX) | T | 63.4/44.7 |
| D1 | 1790000971 | S.DIO MA2J7290GL | T | 68.7/8.4 |
| D2 | 1790000971 | S.DIO MA2J7290GL | T | 70.5/8.4 |
| D3 | 1790001251 | S.DIO MA2S1110GL | T | 50.4/16.9 |
| D141 | 1790001251 | S.DIO MA2S1110GL | T | 13.7/21.2 |
| D142 | 1790001251 | S.DIO MA2S1110GL | T | 12.5/21.2 |
| D143 | 1790001251 | S.DIO MA2S1110GL | T | 14.3/10.7 |
| D144 | 1790001251 | S.DIO MA2S1110GL | T | 13.1/10.7 |
| D145 | 1790001251 | S.DIO MA2S1110GL | T | 15.2/24.1 |
| D146 | 1790001251 | S.DIO MA2S1110GL | T | 14.0/24.4 |
| D164 | 1790001621 | S.DIO 1SV308(TPL3F) | T | 52.2/31.7 |
| D165 | 1790001621 | S.DIO 1SV308(TPL3F) | T | 57.4/35.7 |
| D167 | 1790001621 | S.DIO 1SV308(TPL3F) | T | 55.0/48.8 |
| D168 | 1790001621 | S.DIO 1SV308(TPL3F) | T | 55.3/43.9 |
| D181 | 1790001251 | S.DIO MA2S1110GL | T | 56.6/56.6 |
| D182 | 1790001251 | S.DIO MA2S1110GL | T | 56.6/55.4 |
| D201 | 1790001621 | S.DIO 1SV308(TPL3F) | T | 53.3/44.4 |
| D221 | 1790001621 | S.DIO 1SV308(TPL3F) | T | 22.8/13.1 |
| D222 | 1790001621 | S.DIO 1SV308(TPL3F) | T | 37.8/15.0 |
| D241 | 1790001621 | S.DIO 1SV308(TPL3F) | T | 22.8/22.1 |
| D242 | 1790001621 | S.DIO 1SV308(TPL3F) | T | 39.2/21.9 |
| D261 | 1790001621 | S.DIO 1SV308(TPL3F) | T | 34.2/27.9 |
| D262 | 1790001621 | S.DIO 1SV308(TPL3F) | T | 22.9/27.1 |
| D281 | 1790001621 | S.DIO 1SV308(TPL3F) | T | 41.0/34.0 |
| D282 | 1790001621 | S.DIO 1SV308(TPL3F) | T | 23.0/33.7 |
| D301 | 1790001621 | S.DIO 1SV308(TPL3F) | T | 41.0/40.1 |
| D302 | 1790001621 | S.DIO 1SV308(TPL3F) | T | 23.0/39.8 |
| D321 | 1790001621 | S.DIO 1SV308(TPL3F) | T | 40.9/46.2 |
| D322 | 1790001621 | S.DIO 1SV308(TPL3F) | T | 23.0/45.9 |
| D341 | 1790001621 | S.DIO 1SV308(TPL3F) | T | 40.9/52.3 |
| D342 | 1790001621 | S.DIO 1SV308(TPL3F) | T | 23.0/52.0 |
| D361 | 1790001621 | S.DIO 1SV308(TPL3F) | T | 44.4/57.2 |
| D362 | 1790001621 | S.DIO 1SV308(TPL3F) | T | 23.0/58.1 |
| D381 | 1790001621 | S.DIO 1SV308(TPL3F) | T | 27.6/70.4 |
| D382 | 1790001621 | S.DIO 1SV308(TPL3F) | T | 49.3/65.3 |
| D401 | 1790001621 | S.DIO 1SV308(TPL3F) | T | 49.3/64.1 |
| D402 | 1790001621 | S.DIO 1SV308(TPL3F) | T | 26.3/61.0 |
| D441 | 1790001621 | S.DIO 1SV308(TPL3F) | T | 14.1/63.7 |
| D442 | 1790001621 | S.DIO 1SV308(TPL3F) | T | 17.4/72.6 |
| D443 | 1790001621 | S.DIO 1SV308(TPL3F) | T | 14.1/64.9 |
| D444 | 1790001621 | S.DIO 1SV308(TPL3F) | T | 14.9/72.6 |
| D461 | 1790001251 | S.DIO MA2S1110GL | T | 8.6/43.2 |
| D462 | 1790001251 | S.DIO MA2S1110GL | T | 8.6/30.4 |
| D463 | 1790001251 | S.DIO MA2S1110GL | T | 10.5/44.2 |
| D464 | 1790001251 | S.DIO MA2S1110GL | T | 7.5/51.1 |
| D465 | 1790001241 | S.DIO MA2S7280GL | T | 9.7/37.3 |
| D471 | 1790001241 | S.DIO MA2S7280GL | T | 13.5/40.7 |
| D491 | 1790001241 | S.DIO MA2S7280GL | T | 16.4/42.1 |
| D494 | 1790001251 | S.DIO MA2S1110GL | T | 7.4/22.8 |
| D495 | 1790001251 | S.DIO MA2S1110GL | T | 7.4/24.0 |
| D501 | 1790001251 | S.DIO MA2S1110GL | T | 66.8/43.4 |
| D502 | 1790001331 | S.ZEN MAZ8036GLL | T | 10.3/25.8 |
| D503 | 1790001251 | S.DIO MA2S1110GL | T | 8.3/26.4 |
| D504 | 1790001251 | S.DIO MA2S1110GL | T | 8.3/25.2 |
| D505 | 1790001621 | S.DIO 1SV308(TPL3F) | T | 55.8/41.5 |
| L1 | 6140004721 | COI LR-532A | B | 69.6/36.3 |
| L3 | 6200002041 | S.COI NLV25T-101J | T | 48.1/23.3 |
| L161 | 6200011410 | S.COI C2520C-82NG-A | T | 51.7/26.7 |
| L163 | 6200002041 | S.COI NLV25T-101J | T | 58.2/46.8 |
| L167 | 6200002041 | S.COI NLV25T-101J | T | 57.4/49.6 |
| L168 | 6200002041 | S.COI NLV25T-101J | T | 44.8/18.3 |
| L169 | 6200010660 | S.COI C2520C-R15G-A (0.15U) | T | 55.7/27.8 |
| L170 | 6200002041 | S.COI NLV25T-101J | T | |

Eqv.= This component is equivalent to the REF No. component listed above, and may be substituted on parts orders and repairs.

M.=Mounted side (T: Mounted on the Top side, B: Mounted on the Bottom side) S.=Surface mount

[RF UNIT]

| REF NO. | PARTS NO. | DESCRIPTION | M. | H/V LOCATION |
|---------|------------|-----------------------------|----|--------------|
| L181 | 6200005011 | S.COI NLV25T-100J | T | 60.4/59.3 |
| L183 | 6200005011 | S.COI NLV25T-100J | T | 44.8/78.6 |
| L201 | 6200005491 | S.COI NLV32T-331J | T | 52.6/48.6 |
| L202 | 6200002961 | S.COI NLV32T-4R7J | T | 49.1/47.9 |
| L203 | 6200003321 | S.COI NLV32T-3R3J | T | 45.7/49.8 |
| L204 | 6200003261 | S.COI NLV32T-101J | T | 51.1/42.2 |
| L205 | 6200003261 | S.COI NLV32T-101J | T | 45.9/42.2 |
| L221 | 6200001851 | S.COI NLV32T-5R6J | T | 29.5/13.6 |
| L222 | 6200003111 | S.COI NLV32T-6R8J | T | 25.9/14.6 |
| L241 | 6200002041 | S.COI NLV25T-101J | T | 39.4/19.9 |
| L242 | 6200003091 | S.COI NLV32T-2R7J | T | 35.0/20.8 |
| L243 | 6200003101 | S.COI NLV32T-3R9J | T | 31.6/21.4 |
| L244 | 6200002961 | S.COI NLV32T-4R7J | T | 28.2/19.5 |
| L245 | 6200001851 | S.COI NLV32T-5R6J | T | 24.5/19.9 |
| L261 | 6200002041 | S.COI NLV25T-101J | T | 34.2/26.0 |
| L262 | 6200002991 | S.COI NLV32T-2R2J | T | 31.1/26.3 |
| L263 | 6200002991 | S.COI NLV32T-2R2J | T | 26.2/27.1 |
| L281 | 6200002041 | S.COI NLV25T-101J | T | 40.3/31.8 |
| L282 | 6200003051 | S.COI NLV32T-R82J | T | 37.2/32.9 |
| L283 | 6200003061 | S.COI NLV32T-1R2J | T | 32.4/32.3 |
| L284 | 6200003081 | S.COI NLV32T-1R8J | T | 29.0/30.4 |
| L285 | 6200003071 | S.COI NLV32T-1R5J | T | 25.6/32.3 |
| L291 | 6200011410 | S.COI C2520C-82NG-A | T | 21.2/36.7 |
| L301 | 6200002041 | S.COI NLV25T-101J | T | 40.3/37.9 |
| L302 | 6200003061 | S.COI NLV32T-1R2J | T | 37.2/39.0 |
| L303 | 6200003331 | S.COI NLV32T-1R0J | T | 32.4/38.4 |
| L304 | 6200003051 | S.COI NLV32T-R82J | T | 29.0/36.5 |
| L305 | 6200003061 | S.COI NLV32T-1R2J | T | 25.6/38.4 |
| L321 | 6200002041 | S.COI NLV25T-101J | T | 40.3/44.0 |
| L322 | 6200003031 | S.COI NLV32T-R47J | T | 37.2/45.1 |
| L323 | 6200002981 | S.COI NLV32T-R56J | T | 32.4/44.5 |
| L324 | 6200003041 | S.COI NLV32T-R68J | T | 29.0/42.6 |
| L325 | 6200003051 | S.COI NLV32T-R82J | T | 25.6/44.5 |
| L341 | 6200002041 | S.COI NLV25T-101J | T | 40.3/50.1 |
| L342 | 6200003251 | S.COI NLV32T-R39J | T | 37.2/51.2 |
| L343 | 6200003251 | S.COI NLV32T-R39J | T | 32.4/50.6 |
| L344 | 6200003031 | S.COI NLV32T-R47J | T | 29.0/48.7 |
| L345 | 6200002981 | S.COI NLV32T-R56J | T | 25.6/50.6 |
| L361 | 6200002041 | S.COI NLV25T-101J | T | 40.7/56.5 |
| L362 | 6200010740 | S.COI C2520C-R27G-A | T | 37.4/57.3 |
| L363 | 6200010740 | S.COI C2520C-R27G-A | T | 32.5/56.7 |
| L364 | 6200010870 | S.COI C2520C-R33G-A (0.33U) | T | 29.1/54.8 |
| L365 | 6200011450 | S.COI C2520C-R39G-A | T | 25.7/56.8 |
| L381 | 6200003001 | S.COI NLV32T-R22J | T | 45.6/68.3 |
| L382 | 6200003251 | S.COI NLV32T-R39J | T | 49.9/67.5 |
| L383 | 6200005011 | S.COI NLV25T-100J | T | 30.7/72.9 |
| L384 | 6200002041 | S.COI NLV25T-101J | T | 40.1/66.5 |
| L385 | 6140004601 | S.COI LR-518A | T | 35.5/71.0 |
| L386 | 6200002041 | S.COI NLV25T-101J | T | 27.8/68.5 |
| L401 | 6200003011 | S.COI NLV32T-R27J | T | 43.8/62.0 |
| L402 | 6200003421 | S.COI NLV32T-R15J | T | 47.2/61.1 |
| L403 | 6180002961 | S.COI NLV32T-R18J | T | 40.4/61.6 |
| L404 | 6200003421 | S.COI NLV32T-R15J | T | 37.0/63.6 |
| L405 | 6200001471 | S.COI NLV32T-R12J | T | 32.0/65.1 |
| L406 | 6200001471 | S.COI NLV32T-R12J | T | 27.1/63.8 |
| L421 | 6200005491 | S.COI NLV32T-331J | T | 24.3/8.5 |
| L441 | 6200002041 | S.COI NLV25T-101J | T | 18.3/63.4 |
| L442 | 6200002041 | S.COI NLV25T-101J | T | 11.5/64.4 |
| L443 | 6200002041 | S.COI NLV25T-101J | T | 14.1/66.8 |
| L444 | 6140004591 | S.COI LR-517A | T | 6.6/71.7 |
| L445 | 6200002041 | S.COI NLV25T-101J | T | 11.2/70.4 |
| L446 | 6200002041 | S.COI NLV25T-101J | T | 11.2/74.0 |
| L447 | 6200002041 | S.COI NLV25T-101J | T | 14.5/61.1 |
| L448 | 6200002041 | S.COI NLV25T-101J | T | 20.1/74.9 |
| L449 | 6200010650 | S.COI C2520C-R12G-A (0.12U) | T | 8.3/76.8 |
| L450 | 6200010660 | S.COI C2520C-R15G-A (0.15U) | T | 19.2/70.0 |
| L501 | 6200005011 | S.COI NLV25T-100J | T | 63.2/40.3 |
| L502 | 6200005011 | S.COI NLV25T-100J | T | 65.6/75.4 |
| L505 | 6200005011 | S.COI NLV25T-100J | T | 65.5/71.0 |
| L506 | 6200005011 | S.COI NLV25T-100J | T | 61.2/68.3 |
| L507 | 6200002041 | S.COI NLV25T-101J | T | 78.0/91.8 |
| L508 | 6200005011 | S.COI NLV25T-100J | T | 73.1/91.7 |
| L509 | 6200005011 | S.COI NLV25T-100J | T | 69.5/92.2 |
| L510 | 6200002041 | S.COI NLV25T-101J | T | 66.2/89.8 |
| L511 | 6200002041 | S.COI NLV25T-101J | T | 65.8/81.9 |
| L512 | 6200002041 | S.COI NLV25T-101J | T | 56.3/38.3 |
| R1 | 7540000250 | ABS SA05C 401N | | |
| R2 | 7030003590 | S.RES ERJ3GEYJ 183 V (18K) | T | 79.6/14.9 |
| R3 | 7030008190 | S.RES ERJ12YJ330U (33) | T | 69.6/5.1 |
| R4 | 7030003560 | S.RES ERJ3GEYJ 103 V (10K) | T | 66.1/8.7 |
| R5 | 7030003560 | S.RES ERJ3GEYJ 103 V (10K) | T | 73.0/8.7 |
| R6 | 7030003860 | S.RES ERJ3GE JPW V | T | 66.1/11.1 |
| R7 | 7030003860 | S.RES ERJ3GE JPW V | T | 73.0/11.1 |
| R8 | 7030003640 | S.RES ERJ3GEYJ 473 V (47K) | T | 68.7/11.8 |
| R9 | 7030003640 | S.RES ERJ3GEYJ 473 V (47K) | T | 70.5/11.8 |
| R10 | 7030003580 | S.RES ERJ3GEYJ 153 V (15K) | T | 79.6/17.5 |
| R161 | 7030003560 | S.RES ERJ3GEYJ 103 V (10K) | T | 57.4/42.0 |
| R163 | 7030003400 | S.RES ERJ3GEYJ 471 V (470) | T | 50.6/29.1 |
| R164 | 7030003290 | S.RES ERJ3GEYJ 560 V (56) | T | 56.1/35.7 |
| R165 | 7030003400 | S.RES ERJ3GEYJ 471 V (470) | T | 57.4/33.0 |
| R166 | 7030003440 | S.RES ERJ3GEYJ 102 V (1K) | T | 55.7/47.0 |
| R167 | 7030003400 | S.RES ERJ3GEYJ 471 V (470) | T | 56.1/33.0 |
| R168 | 7030003400 | S.RES ERJ3GEYJ 471 V (470) | T | 54.9/33.0 |
| R169 | 7030003680 | S.RES ERJ3GEYJ 104 V (100K) | T | 58.9/26.5 |
| R181 | 7030003370 | S.RES ERJ3GEYJ 271 V (270) | T | 54.1/66.0 |
| R182 | 7030003230 | S.RES ERJ3GEYJ 180 V (18) | T | 56.7/66.0 |

Eqv.= This component is equivalent to the REF No. component listed above, and may be substituted on parts orders and repairs.

[RF UNIT]

| REF NO. | PARTS NO. | DESCRIPTION | M. | H/V LOCATION |
|---------|------------|-----------------------------|----|--------------|
| R183 | 7030003370 | S.RES ERJ3GEYJ 271 V (270) | T | 56.7/63.6 |
| R184 | 7030003220 | S.RES ERJ3GEYJ 150 V (15) | T | 61.0/56.2 |
| R185 | 7030003370 | S.RES ERJ3GEYJ 271 V (270) | T | 56.6/54.0 |
| R186 | 7030003230 | S.RES ERJ3GEYJ 180 V (18) | T | 56.6/52.7 |
| R187 | 7030003370 | S.RES ERJ3GEYJ 271 V (270) | T | 59.6/52.7 |
| R189 | 7030000010 | S.RES MCR10EZHZ JPW (000) | T | 60.5/63.2 |
| R201 | 7030003400 | S.RES ERJ3GEYJ 471 V (470) | T | 52.0/45.7 |
| R221 | 7030003240 | S.RES ERJ3GEYJ 220 V (22) | T | 35.2/15.0 |
| R222 | 7030003280 | S.RES ERJ3GEYJ 470 V (47) | T | 33.0/14.1 |
| R223 | 7030003240 | S.RES ERJ3GEYJ 220 V (22) | T | 31.7/14.1 |
| R224 | 7030003320 | S.RES ERJ3GEYJ 101 V (100) | T | 36.9/13.6 |
| R225 | 7030003320 | S.RES ERJ3GEYJ 101 V (100) | T | 36.9/12.4 |
| R241 | 7030003320 | S.RES ERJ3GEYJ 101 V (100) | T | 38.0/18.0 |
| R242 | 7030003320 | S.RES ERJ3GEYJ 101 V (100) | T | 23.1/17.3 |
| R261 | 7030003320 | S.RES ERJ3GEYJ 101 V (100) | T | 37.3/24.1 |
| R262 | 7030003320 | S.RES ERJ3GEYJ 101 V (100) | T | 37.3/25.3 |
| R281 | 7030003320 | S.RES ERJ3GEYJ 101 V (100) | T | 39.5/29.5 |
| R282 | 7030003320 | S.RES ERJ3GEYJ 101 V (100) | T | 23.4/30.1 |
| R301 | 7030003320 | S.RES ERJ3GEYJ 101 V (100) | T | 39.6/35.6 |
| R302 | 7030003320 | S.RES ERJ3GEYJ 101 V (100) | T | 23.4/37.6 |
| R321 | 7030003320 | S.RES ERJ3GEYJ 101 V (100) | T | 39.5/41.7 |
| R322 | 7030003320 | S.RES ERJ3GEYJ 101 V (100) | T | 23.4/43.7 |
| R341 | 7030003320 | S.RES ERJ3GEYJ 101 V (100) | T | 39.6/47.8 |
| R342 | 7030003320 | S.RES ERJ3GEYJ 101 V (100) | T | 23.4/49.5 |
| R361 | 7030003320 | S.RES ERJ3GEYJ 101 V (100) | T | 41.8/53.9 |
| R362 | 7030003320 | S.RES ERJ3GEYJ 101 V (100) | T | 23.4/55.7 |
| R381 | 7030003320 | S.RES ERJ3GEYJ 101 V (100) | T | 31.5/75.3 |
| R382 | 7030003320 | S.RES ERJ3GEYJ 101 V (100) | T | 49.6/73.8 |
| R383 | 7030003280 | S.RES ERJ3GEYJ 470 V (47) | T | 36.0/67.4 |
| R384 | 7030003440 | S.RES ERJ3GEYJ 102 V (1K) | T | 44.8/71.9 |
| R385 | 7030003490 | S.RES ERJ3GEYJ 272 V (2.7K) | T | 47.2/71.9 |
| R401 | 7030003320 | S.RES ERJ3GEYJ 101 V (100) | T | 40.1/59.5 |
| R402 | 7030003320 | S.RES ERJ3GEYJ 101 V (100) | T | 48.1/58.9 |
| R421 | 7030003640 | S.RES ERJ3GEYJ 473 V (47K) | T | 39.8/13.6 |
| R422 | 7030003640 | S.RES ERJ3GEYJ 473 V (47K) | T | 35.1/17.1 |
| R423 | 7030003640 | S.RES ERJ3GEYJ 473 V (47K) | T | 40.0/24.1 |
| R424 | 7030003640 | S.RES ERJ3GEYJ 473 V (47K) | T | 37.0/30.3 |
| R425 | 7030003640 | S.RES ERJ3GEYJ 473 V (47K) | T | 37.0/36.4 |
| R426 | 7030003640 | S.RES ERJ3GEYJ 473 V (47K) | T | 37.2/42.4 |
| R427 | 7030003640 | S.RES ERJ3GEYJ 473 V (47K) | T | 37.0/48.6 |
| R428 | 7030003640 | S.RES ERJ3GEYJ 473 V (47K) | T | 37.8/53.9 |
| R429 | 7030003640 | S.RES ERJ3GEYJ 473 V (47K) | T | 34.2/75.3 |
| R430 | 7030003640 | S.RES ERJ3GEYJ 473 V (47K) | T | 48.1/57.7 |
| R431 | 7030003400 | S.RES ERJ3GEYJ 471 V (470) | T | 22.9/11.1 |
| R441 | 7030003400 | S.RES ERJ3GEYJ 471 V (470) | T | 16.0/64.2 |
| R442 | 7030003370 | S.RES ERJ3GEYJ 271 V (270) | T | 14.8/56.4 |
| R443 | 7030003440 | S.RES ERJ3GEYJ 102 V (1K) | T | 17.4/73.9 |
| R444 | 7030003560 | S.RES ERJ3GEYJ 103 V (10K) | T | 12.7/57.2 |
| R445 | 7030003280 | S.RES ERJ3GEYJ 470 V (47) | T | 16.4/66.9 |
| R446 | 7030003320 | S.RES ERJ3GEYJ 101 V (100) | T | 7.2/67.4 |
| R447 | 7030003440 | S.RES ERJ3GEYJ 102 V (1K) | T | 6.9/60.5 |
| R448 | 7030003320 | S.RES ERJ3GEYJ 101 V (100) | T | 4.5/66.6 |
| R449 | 7030003480 | S.RES ERJ3GEYJ 222 V (2.2K) | T | 9.3/60.5 |
| R450 | 7030003370 | S.RES ERJ3GEYJ 271 V (270) | T | 11.4/60.5 |
| R460 | 7030003740 | S.RES ERJ3GEYJ 334 V (330K) | T | 7.9/39.2 |
| R462 | 7030003720 | S.RES ERJ3GEYJ 224 V (220K) | T | 2.6/42.9 |
| R463 | 7030003680 | S.RES ERJ3GEYJ 104 V (100K) | T | 7.9/38.0 |
| R464 | 7030003840 | S.RES ERJ3GEYJ 225 V (2.2M) | T | 5.2/42.3 |
| R465 | 7030003380 | S.RES ERJ3GEYJ 331 V (330) | T | 7.8/42.0 |
| R466 | 7030003680 | S.RES ERJ3GEYJ 104 V (100K) | T | 3.9/31.8 |
| R467 | 7030003840 | S.RES ERJ3GEYJ 225 V (2.2M) | T | 4.4/33.4 |
| R468 | 7030003720 | S.RES ERJ3GEYJ 224 V (220K) | T | 1.9/33.3 |
| R469 | 7030003590 | S.RES ERJ3GEYJ 183 V (18K) | T | 1.9/35.9 |
| R470 | 7030003400 | S.RES ERJ3GEYJ 471 V (470) | T | 7.4/32.6 |
| R472 | 7030003600 | S.RES ERJ3GEYJ 223 V (22K) | T | 6.5/31.4 |
| R475 | 7030003860 | S.RES ERJ3GE JPW V | T | 16.4/43.4 |
| R476 | 7030003580 | S.RES ERJ3GEYJ 153 V (15K) | T | 13.8/43.2 |
| R477 | 7030003400 | S.RES ERJ3GEYJ 471 V (470) | T | 11.2/42.9 |
| R478 | 7030003440 | S.RES ERJ3GEYJ 102 V (1K) | T | 5.9/28.1 |
| R479 | 7030003680 | S.RES ERJ3GEYJ 104 V (100K) | T | 6.5/25.8 |
| R480 | 7030003860 | S.RES ERJ3GE JPW V | T | 6.4/29.7 |
| R482 | 7030003560 | S.RES ERJ3GEYJ 103 V (10K) | T | 1.9/41.1 |
| R483 | 7030003320 | S.RES ERJ3GEYJ 101 V (100) | T | 7.3/33.8 |
| R484 | 7030003820 | S.RES ERJ3GEYJ 155 V (1.5M) | T | 11.6/45.4 |
| R485 | 7030003840 | S.RES ERJ3GEYJ 225 V (2.2M) | T | 14.8/52.4 |
| R486 | 7030003770 | S.RES ERJ3GEYJ 564 V (560K) | T | 16.7/53.1 |
| R487 | 7030003760 | S.RES ERJ3GEYJ 474 V (470K) | T | 17.6/50.0 |
| R488 | 7030003500 | S.RES ERJ3GEYJ 332 V (3.3K) | T | 12.0/52.4 |
| R489 | 7030003520 | S.RES ERJ3GEYJ 472 V (4.7K) | T | 4.7/57.8 |
| R490 | 7030003640 | S.RES ERJ3GEYJ 473 V (47K) | T | 16.2/40.2 |
| R492 | 7030003740 | S.RES ERJ3GEYJ 334 V (330K) | T | 6.2/52.5 |
| R494 | 7030003440 | S.RES ERJ3GEYJ 102 V (1K) | T | 2.4/21.3 |
| R495 | 7030003560 | S.RES ERJ3GEYJ 103 V (10K) | T | 5.5/22.9 |
| R496 | 7030003600 | S.RES ERJ3GEYJ 223 V (22K) | T | 1.9/38.5 |
| R501 | 7030003320 | S.RES ERJ3GEYJ 101 V (100) | T | 3.5/18.8 |
| R502 | 7030003680 | S.RES ERJ3GEYJ 104 V (100K) | T | 6.6/19.6 |
| R503 | 7030003700 | S.RES ERJ3GEYJ 154 V (150K) | | |

[RF UNIT]

| REF NO. | PARTS NO. | DESCRIPTION | M. | H/V LOCATION |
|---------|------------|---------------------------------------|----|--------------|
| R520 | 7030003320 | S.RES ERJ3GEYJ 101 V (100) | T | 44.1/85.8 |
| R521 | 7030003320 | S.RES ERJ3GEYJ 101 V (100) | T | 41.0/85.8 |
| R522 | 7030003320 | S.RES ERJ3GEYJ 101 V (100) | T | 38.6/85.8 |
| R523 | 7030003320 | S.RES ERJ3GEYJ 101 V (100) | T | 36.2/85.8 |
| R525 | 7030003560 | S.RES ERJ3GEYJ 103 V (10K) | T | 8.6/28.1 |
| R527 | 7030003440 | S.RES ERJ3GEYJ 102 V (1K) | T | 59.7/42.1 |
| R528 | 7030003560 | S.RES ERJ3GEYJ 103 V (10K) | T | 59.7/43.3 |
| R529 | 7030009830 | S.RES ERJ12VJ391U (390) | T | 61.1/37.2 |
| R530 | 7030003390 | S.RES ERJ3GEYJ 391 V (390) | T | 60.5/49.6 |
| R531 | 7030003360 | S.RES ERJ3GEYJ 221 V (220) | T | 5.4/19.6 |
| R532 | 7030003640 | S.RES ERJ3GEYJ 473 V (47K) | T | 14.8/40.5 |
| R533 | 7030003710 | S.RES ERJ3GEYJ 184 V (180K) | T | 8.9/51.0 |
| C1 | 4030011050 | S.CER GRM31M3C2H3R0CY21L (GRM42-6 CJ) | T | 56.7/12.5 |
| C2 | 4030007150 | S.CER C1608 CH 1H 151J-T | T | 60.8/12.1 |
| C3 | 4030006870 | S.CER C1608 JB 1H 222K-T | T | 73.0/7.4 |
| C4 | 4030011340 | S.CER C1608 CH 1H 471J-T | T | 66.1/9.9 |
| C5 | 4030011340 | S.CER C1608 CH 1H 471J-T | T | 73.0/9.9 |
| C6 | 4030006870 | S.CER C1608 JB 1H 222K-T | T | 66.1/7.4 |
| C7 | 4030006880 | S.CER C1608 JB 1H 472K-T | T | 50.4/15.6 |
| C8 | 4030006880 | S.CER C1608 JB 1H 472K-T | T | 53.1/17.9 |
| C9 | 4030011790 | S.CER GRM55RF52A684ZD01L (GRM44-1) | T | 79.6/3.3 |
| C12 | 4030011600 | S.CER C1608 JB 1E 104K-T | T | 58.1/17.4 |
| C13 | 4030011600 | S.CER C1608 JB 1E 104K-T | T | 58.1/15.6 |
| C141 | 4030011600 | S.CER C1608 JB 1E 104K-T | T | 9.9/19.3 |
| C142 | 4030011600 | S.CER C1608 JB 1E 104K-T | T | 10.6/31.8 |
| C143 | 4510009250 | S.ELE EEEFK1C471P | T | 17.9/5.8 |
| C161 | 4030007070 | S.CER C1608 CH 1H 330J-T | T | 51.7/24.8 |
| C162 | 4030007110 | S.CER C1608 CH 1H 680J-T | T | 48.7/25.5 |
| C163 | 4030007120 | S.CER C1608 CH 1H 820J-T | T | 47.8/21.0 |
| C164 | 4030006880 | S.CER C1608 JB 1H 472K-T | T | 59.7/44.5 |
| C165 | 4030006880 | S.CER C1608 JB 1H 472K-T | T | 61.2/50.8 |
| C166 | 4030006880 | S.CER C1608 JB 1H 472K-T | T | 60.1/40.2 |
| C168 | 4030011600 | S.CER C1608 JB 1E 104K-T | T | 49.4/27.5 |
| C169 | 4030011600 | S.CER C1608 JB 1E 104K-T | T | 61.0/31.5 |
| C170 | 4030011600 | S.CER C1608 JB 1E 104K-T | T | 58.8/33.0 |
| C171 | 4030011600 | S.CER C1608 JB 1E 104K-T | T | 50.6/31.7 |
| C173 | 4030011600 | S.CER C1608 JB 1E 104K-T | T | 54.9/35.7 |
| C174 | 4030009990 | S.CER C1608 CH 1H 200J-T | T | 47.1/18.9 |
| C175 | 4030007090 | S.CER C1608 CH 1H 470J-T | T | 47.8/17.1 |
| C176 | 4030011600 | S.CER C1608 JB 1E 104K-T | T | 57.6/26.5 |
| C181 | 4030011600 | S.CER C1608 JB 1E 104K-T | T | 60.7/61.6 |
| C182 | 4030011600 | S.CER C1608 JB 1E 104K-T | T | 57.8/58.3 |
| C183 | 4030011600 | S.CER C1608 JB 1E 104K-T | T | 55.3/58.5 |
| C184 | 4030007130 | S.CER C1608 CH 1H 101J-T | T | 58.6/54.6 |
| C186 | 4030007130 | S.CER C1608 CH 1H 101J-T | T | 55.6/51.5 |
| C187 | 4030007130 | S.CER C1608 CH 1H 101J-T | T | 56.7/64.8 |
| C195 | 4030011600 | S.CER C1608 JB 1E 104K-T | T | 58.6/51.5 |
| C201 | 4030011600 | S.CER C1608 JB 1E 104K-T | T | 54.6/45.7 |
| C202 | 4030011600 | S.CER C1608 JB 1E 104K-T | T | 50.4/44.5 |
| C203 | 4030008920 | S.CER C1608 JB 1H 473K-T | T | 49.3/45.7 |
| C204 | 4030009980 | S.CER C1608 JB 1H 152K-T | T | 47.8/44.5 |
| C205 | 4030006880 | S.CER C1608 JB 1H 472K-T | T | 45.3/46.4 |
| C206 | 4030008470 | S.CER C1608 JB 1H 272K-T | T | 45.2/44.5 |
| C207 | 4030011600 | S.CER C1608 JB 1E 104K-T | T | 48.5/41.9 |
| C208 | 4030006880 | S.CER C1608 JB 1H 472K-T | T | 46.5/46.4 |
| C221 | 4030008680 | S.CER C2012 JF 1C 105Z-T | T | 34.6/12.6 |
| C222 | 4030008470 | S.CER C1608 JB 1H 272K-T | T | 27.7/11.9 |
| C223 | 4030007170 | S.CER C1608 CH 1H 221J-T | T | 25.4/12.4 |
| C224 | 4030006870 | S.CER C1608 JB 1H 222K-T | T | 25.4/11.2 |
| C241 | 4030011600 | S.CER C1608 JB 1E 104K-T | T | 38.0/16.8 |
| C242 | 4030009970 | S.CER C1608 JB 1H 182K-T | T | 32.3/18.0 |
| C243 | 4030017870 | S.CER C1608 CH 1H 681J-T | T | 32.3/19.2 |
| C244 | 4030017870 | S.CER C1608 CH 1H 681J-T | T | 30.4/18.5 |
| C245 | 4030008470 | S.CER C1608 JB 1H 272K-T | T | 28.2/22.1 |
| C246 | 4030008850 | S.CER C1608 JB 1H 123K-T | T | 26.0/17.3 |
| C247 | 4030018610 | S.CER C1608 CH 1H 182J-T | T | 25.4/22.1 |
| C248 | 4030011600 | S.CER C1608 JB 1E 104K-T | T | 24.8/17.3 |
| C249 | 4030011330 | S.CER C1608 CH 1H 391J-T | T | 37.2/20.8 |
| C261 | 4030011600 | S.CER C1608 JB 1E 104K-T | T | 34.6/24.1 |
| C262 | 4030010020 | S.CER C1608 JB 1H 122K-T | T | 27.4/24.4 |
| C263 | 4030007100 | S.CER C1608 CH 1H 560J-T | T | 25.5/24.9 |
| C264 | 4030017870 | S.CER C1608 CH 1H 681J-T | T | 25.5/23.7 |
| C265 | 4030017800 | S.CER C1608 CH 1H 561J-T | T | 28.9/24.4 |
| C266 | 4030007150 | S.CER C1608 CH 1H 151J-T | T | 28.9/27.0 |
| C281 | 4030011600 | S.CER C1608 JB 1E 104K-T | T | 42.2/30.2 |
| C282 | 4030011340 | S.CER C1608 CH 1H 471J-T | T | 35.8/30.3 |
| C283 | 4030007110 | S.CER C1608 CH 1H 680J-T | T | 34.6/33.0 |
| C284 | 4030011280 | S.CER C1608 CH 1H 271J-T | T | 34.6/30.3 |
| C285 | 4030010020 | S.CER C1608 JB 1H 122K-T | T | 30.2/33.1 |
| C286 | 4030008770 | S.CER C1608 JB 1H 562K-T | T | 28.3/32.6 |
| C287 | 4030017870 | S.CER C1608 CH 1H 681J-T | T | 28.3/33.8 |
| C288 | 4030011600 | S.CER C1608 JB 1E 104K-T | T | 25.6/29.5 |
| C301 | 4030011600 | S.CER C1608 JB 1E 104K-T | T | 42.2/36.3 |
| C302 | 4030010760 | S.CER C1608 CH 1H 331J-T | T | 35.8/36.4 |
| C303 | 4030007100 | S.CER C1608 CH 1H 560J-T | T | 34.6/39.1 |
| C304 | 4030007160 | S.CER C1608 CH 1H 181J-T | T | 34.6/36.4 |
| C305 | 4030018580 | S.CER C1608 CH 1H 821J-T | T | 30.2/39.2 |
| C306 | 4030008470 | S.CER C1608 JB 1H 272K-T | T | 28.3/38.7 |
| C307 | 4030010760 | S.CER C1608 CH 1H 331J-T | T | 28.3/39.9 |
| C308 | 4030011600 | S.CER C1608 JB 1E 104K-T | T | 25.6/35.6 |
| C321 | 4030006880 | S.CER C1608 JB 1H 472K-T | T | 42.2/42.4 |
| C322 | 4030011280 | S.CER C1608 CH 1H 271J-T | T | 35.9/42.4 |
| C323 | 4030007100 | S.CER C1608 CH 1H 560J-T | T | 34.6/45.2 |
| C324 | 4030007150 | S.CER C1608 CH 1H 151J-T | T | 34.6/42.4 |

Eqv.= This component is equivalent to the REF No. component listed above, and may be substituted on parts orders and repairs.

[RF UNIT]

| REF NO. | PARTS NO. | DESCRIPTION | M. | H/V LOCATION |
|---------|------------|---------------------------|----|--------------|
| C325 | 4030011340 | S.CER C1608 CH 1H 471J-T | T | 30.2/45.3 |
| C326 | 4030009980 | S.CER C1608 JB 1H 152K-T | T | 28.3/44.8 |
| C327 | 4030007170 | S.CER C1608 CH 1H 221J-T | T | 28.3/46.0 |
| C328 | 4030006880 | S.CER C1608 JB 1H 472K-T | T | 25.6/41.7 |
| C341 | 4030006880 | S.CER C1608 JB 1H 472K-T | T | 42.2/48.6 |
| C342 | 4030007170 | S.CER C1608 CH 1H 221J-T | T | 35.8/48.6 |
| C343 | 4030007070 | S.CER C1608 CH 1H 330J-T | T | 34.6/51.3 |
| C344 | 4030007140 | S.CER C1608 CH 1H 121J-T | T | 34.6/48.7 |
| C345 | 4030011280 | S.CER C1608 CH 1H 271J-T | T | 30.2/51.4 |
| C346 | 4030010020 | S.CER C1608 JB 1H 122K-T | T | 28.3/50.9 |
| C347 | 4030007150 | S.CER C1608 CH 1H 151J-T | T | 28.3/52.1 |
| C348 | 4030006880 | S.CER C1608 JB 1H 472K-T | T | 25.6/47.8 |
| C360 | 4030007120 | S.CER C1608 CH 1H 820J-T | T | 42.6/56.4 |
| C361 | 4030011600 | S.CER C1608 JB 1E 104K-T | T | 43.8/53.9 |
| C362 | 4030007140 | S.CER C1608 CH 1H 121J-T | T | 35.9/54.6 |
| C363 | 4030007100 | S.CER C1608 CH 1H 560J-T | T | 34.7/57.2 |
| C364 | 4030007090 | S.CER C1608 CH 1H 470J-T | T | 34.7/54.6 |
| C365 | 4030007170 | S.CER C1608 CH 1H 221J-T | T | 30.2/57.5 |
| C366 | 4030018580 | S.CER C1608 CH 1H 821J-T | T | 28.4/57.1 |
| C367 | 4030007130 | S.CER C1608 CH 1H 101J-T | T | 28.3/58.3 |
| C368 | 4030011600 | S.CER C1608 JB 1E 104K-T | T | 25.6/53.9 |
| C369 | 4030007090 | S.CER C1608 CH 1H 470J-T | T | 37.8/55.1 |
| C381 | 4030007110 | S.CER C1608 CH 1H 680J-T | T | 46.6/65.7 |
| C382 | 4030007160 | S.CER C1608 CH 1H 181J-T | T | 43.9/65.7 |
| C383 | 4030011600 | S.CER C1608 JB 1E 104K-T | T | 31.5/76.5 |
| C384 | 4030011600 | S.CER C1608 JB 1E 104K-T | T | 50.5/71.9 |
| C385 | 4030011600 | S.CER C1608 JB 1E 104K-T | T | 46.0/71.9 |
| C386 | 4030011600 | S.CER C1608 JB 1E 104K-T | T | 48.9/71.9 |
| C387 | 4030011600 | S.CER C1608 JB 1E 104K-T | T | 30.4/70.4 |
| C388 | 4030011600 | S.CER C1608 JB 1E 104K-T | T | 31.1/68.0 |
| C401 | 4030007110 | S.CER C1608 CH 1H 680J-T | T | 47.3/63.7 |
| C402 | 4030007080 | S.CER C1608 CH 1H 390J-T | T | 39.7/63.8 |
| C403 | 4030007150 | S.CER C1608 CH 1H 151J-T | T | 50.0/68.0 |
| C404 | 4030018580 | S.CER C1608 CH 1H 821J-T | T | 42.6/59.4 |
| C405 | 4030007120 | S.CER C1608 CH 1H 820J-T | T | 34.8/61.0 |
| C406 | 4030007030 | S.CER C1608 CH 1H 150J-T | T | 34.8/64.4 |
| C407 | 4030007150 | S.CER C1608 CH 1H 151J-T | T | 32.9/61.0 |
| C408 | 4030007080 | S.CER C1608 CH 1H 390J-T | T | 32.1/62.9 |
| C409 | 4030007140 | S.CER C1608 CH 1H 121J-T | T | 31.3/61.0 |
| C410 | 4030008560 | S.CER C1608 CH 1H 300J-T | T | 29.3/64.4 |
| C411 | 4030007120 | S.CER C1608 CH 1H 820J-T | T | 29.3/61.2 |
| C412 | 4030007090 | S.CER C1608 CH 1H 470J-T | T | 41.7/64.6 |
| C413 | 4030007030 | S.CER C1608 CH 1H 150J-T | T | 51.2/60.8 |
| C441 | 4030011600 | S.CER C1608 JB 1E 104K-T | T | 24.8/67.3 |
| C442 | 4030011600 | S.CER C1608 JB 1E 104K-T | T | 14.8/57.6 |
| C443 | 4030018910 | S.CER C1608 JB 0J 475K-T | T | 14.8/58.8 |
| C444 | 4030011600 | S.CER C1608 JB 1E 104K-T | T | 14.8/73.9 |
| C445 | 4030011600 | S.CER C1608 JB 1E 104K-T | T | 12.6/60.5 |
| C446 | 4030011600 | S.CER C1608 JB 1E 104K-T | T | 10.0/67.4 |
| C447 | 4030006880 | S.CER C1608 JB 1H 472K-T | T | 16.6/70.6 |
| C448 | 4030011600 | S.CER C1608 JB 1E 104K-T | T | 8.1/60.5 |
| C450 | 4030011600 | S.CER C1608 JB 1E 104K-T | T | 5.0/76.7 |
| C451 | 4030011600 | S.CER C1608 JB 1E 104K-T | T | 14.1/68.7 |
| C452 | 4030011600 | S.CER C1608 JB 1E 104K-T | T | 15.4/70.6 |
| C453 | 4030011600 | S.CER C1608 JB 1E 104K-T | T | 8.6/58.6 |
| C454 | 4510009250 | S.ELE EEEFK1C471P | T | 14.9/84.9 |
| C455 | 4030007110 | S.CER C1608 CH 1H 680J-T | T | 11.4/77.0 |
| C456 | 4030007090 | S.CER C1608 CH 1H 470J-T | T | 20.0/72.6 |
| C457 | 4030007090 | S.CER C1608 CH 1H 470J-T | T | 16.4/61.3 |
| C460 | 4030006900 | S.CER C1608 JB 1H 103K-T | T | 10.9/38.2 |
| C461 | 4030011600 | S.CER C1608 JB 1E 104K-T | T | 7.8/35.0 |
| C462 | 4030006880 | S.CER C1608 JB 1H 472K-T | T | 7.8/40.8 |
| C464 | 4030017480 | S.CER C1608 JB 1A 474K-T | T | 3.3/30.1 |
| C468 | 4030011600 | S.CER C1608 JB 1E 104K-T | T | 3.3/16.9 |
| C470 | 4030018970 | S.CER C3225 JB 1C 226MT-N | T | 3.0/45.8 |
| C471 | 4030018970 | S.CER C3225 JB 1C 226MT-N | T | 6.0/45.1 |
| C480 | 4030017490 | S.CER C1608 JB 1A 105K-T | T | 2.2/26.5 |
| C481 | 4030011600 | S.CER C1608 JB 1E 104K-T | T | 4.3/29.2 |
| C482 | 4030017490 | S.CER C1608 JB 1A 105K-T | T | 2.2/27.7 |
| C483 | 4030017490 | S.CER C1608 JB 1A 105K-T | T | 2.2/25.3 |
| C504 | 4030006880 | S.CER C1608 JB 1H 472K-T | T | 30.2/85.1 |
| C506 | 4030006880 | S.CER C1608 JB 1H 472K-T | T | 76.1/93.6 |
| C507 | 4030006880 | S.CER C1608 JB 1H 472K-T | T | 63.5/84.1 |
| C508 | 4030006880 | S.CER C1608 JB 1H 472K-T | T | 66.1/77.3 |
| C509 | 4030006880 | S.CER C1608 JB 1H 472K-T | T | 63.5/78.8 |
| C510 | 4030006880 | S.CER C1608 JB 1H 472K-T | T | 61.7/72.9 |
| C511 | 4030006880 | S.CER C1608 JB 1H 472K-T | T | 62.5/71.0 |
| C512 | 4030006880 | S.CER C1608 JB 1H 472K-T | T | 60.5/66.0 |
| C513 | 4030006880 | S.CER C1608 JB 1H 472K-T | T | 72.7/94.9 |
| C514 | 4030006880 | S.CER C1608 JB 1H 472K-T | T | 68.8/94.6 |
| C515 | 4030006880 | S.CER C1608 JB 1H 472K-T | T | 66.8/ |

[RF UNIT]

| REF NO. | PARTS NO. | DESCRIPTION | M. | H/V LOCATION |
|---------|------------|----------------------------|----|--------------|
| C535 | 4030007090 | S.CER C1608 CH 1H 470J-T | T | 42.2/85.8 |
| C536 | 4030007090 | S.CER C1608 CH 1H 470J-T | T | 45.3/85.8 |
| C537 | 4030006880 | S.CER C1608 JB 1H 472K-T | T | 33.8/85.8 |
| C538 | 4030006880 | S.CER C1608 JB 1H 472K-T | T | 50.7/88.2 |
| C539 | 4030006880 | S.CER C1608 JB 1H 472K-T | T | 51.9/88.7 |
| C542 | 4030006880 | S.CER C1608 JB 1H 472K-T | T | 53.1/88.7 |
| C543 | 4030006880 | S.CER C1608 JB 1H 472K-T | T | 46.5/85.8 |
| C544 | 4030006880 | S.CER C1608 JB 1H 472K-T | T | 47.7/85.8 |
| C545 | 4030006880 | S.CER C1608 JB 1H 472K-T | T | 48.9/85.8 |
| C546 | 4030011600 | S.CER C1608 JB 1E 104K-T | T | 50.1/85.5 |
| C547 | 4030006880 | S.CER C1608 JB 1H 472K-T | T | 57.9/88.7 |
| C548 | 4030006880 | S.CER C1608 JB 1H 472K-T | T | 56.7/88.7 |
| C549 | 4030006880 | S.CER C1608 JB 1H 472K-T | T | 35.0/85.8 |
| C551 | 4030006880 | S.CER C1608 JB 1H 472K-T | T | 59.1/88.7 |
| C552 | 4030006880 | S.CER C1608 JB 1H 472K-T | T | 72.7/93.7 |
| C553 | 4030006880 | S.CER C1608 JB 1H 472K-T | T | 60.3/88.7 |
| C554 | 4030011600 | S.CER C1608 JB 1E 104K-T | T | 65.5/43.4 |
| C555 | 4030011600 | S.CER C1608 JB 1E 104K-T | T | 53.8/29.7 |
| C556 | 4030006880 | S.CER C1608 JB 1H 472K-T | T | 38.4/89.0 |
| C557 | 4030006880 | S.CER C1608 JB 1H 472K-T | T | 38.4/90.2 |
| C558 | 4030006880 | S.CER C1608 JB 1H 472K-T | T | 36.2/94.2 |
| C559 | 4030006880 | S.CER C1608 JB 1H 472K-T | T | 36.2/95.4 |
| C560 | 4030006880 | S.CER C1608 JB 1H 472K-T | T | 32.6/85.8 |
| C561 | 4030006880 | S.CER C1608 JB 1H 472K-T | T | 49.5/88.8 |
| RL1 | 6330001721 | REL ATN207-K1 | | |
| RL501 | 6330001721 | REL ATN207-K1 | | |
| J5 | 6510024151 | S.CON 50FY-BMT-TB(LF)(SN) | T | 22.2/90.9 |
| J6 | 6510024151 | S.CON 50FY-BMT-TB(LF)(SN) | T | 51.8/93.2 |
| J7 | 6510028210 | CON SJ050010 (TMP-J01X-V6) | | |
| J8 | 6510028210 | CON SJ050010 (TMP-J01X-V6) | | |
| J10 | 6510028210 | CON SJ050010 (TMP-J01X-V6) | | |
| J501 | 6450001641 | CON TC55044-0141177 | | |
| J502 | 6450001130 | CON JPJ2042-01-110 | | |
| J503 | 6510023900 | CON LGR4619-7000 | | |
| EP170 | 6910012350 | S.BEA MMZ1608Y 102BT | T | 60.9/25.7 |
| EP501 | 6910012350 | S.BEA MMZ1608Y 102BT | T | 70.3/48.0 |
| EP502 | 6910018930 | S.BEA MPZ2012S601A | T | 65.8/84.1 |
| EP503 | 6910018930 | S.BEA MPZ2012S601A | T | 65.8/79.7 |
| EP504 | 6910018930 | S.BEA MPZ2012S601A | T | 65.8/73.2 |
| EP505 | 6910018930 | S.BEA MPZ2012S601A | T | 73.8/29.7 |
| EP507 | 6910018930 | S.BEA MPZ2012S601A | T | 28.2/87.5 |
| EP509 | 6910018930 | S.BEA MPZ2012S601A | T | 23.9/85.9 |
| EP510 | 6910018930 | S.BEA MPZ2012S601A | T | 21.6/85.9 |
| EP511 | 6910012350 | S.BEA MMZ1608Y 102BT | T | 67.2/53.3 |
| EP512 | 6910012350 | S.BEA MMZ1608Y 102BT | T | 72.2/54.8 |

Eqv.= This component is equivalent to the REF No. component listed above, and may be substituted on parts orders and repairs.

[PA UNIT]

| REF NO. | PARTS NO. | DESCRIPTION | M. | H/V LOCATION |
|---------|------------|-------------------------------------|----|--------------|
| IC1 | 1180001252 | S.IC TA7808F(TE16L1NQ) | T | 164.8/26.4 |
| IC2 | 1110003800 | S.IC NJM2904V-TE1-#FMZB | T | 103.2/70.8 |
| Q1 | 1560001241 | S.FET RD01MUS1-T113 | T | 26.7/30.8 |
| Q2 | 1560001530 | FET RD15HVF1-101 | | |
| Q3 | 1560001530 | FET RD15HVF1-101 | | |
| Q4 | 1560001640 | FET RD100HHF1C-103 | | |
| Q5 | 1560001640 | FET RD100HHF1C-103 | | |
| Q7 | 1590000680 | S.TRA DTC114EUA T106 | T | 20.0/58.6 |
| Q131 | 1540000550 | S.TRA 2SD1664 T100Q | T | 144.7/84.5 |
| D4 | 1790000700 | DIO DSA3A1 | | |
| D5 | 1790000700 | DIO DSA3A1 | | |
| D6 | 1790001251 | S.DIO MA2S1110GL | T | 11.6/56.1 |
| D8 | 1790001251 | S.DIO MA2S1110GL | T | 84.8/12.9 |
| D9 | 1790001251 | S.DIO MA2S1110GL | T | 84.8/54.1 |
| D10 | 1790001251 | S.DIO MA2S1110GL | T | 38.3/9.6 |
| D11 | 1790001251 | S.DIO MA2S1110GL | T | 39.2/39.0 |
| D17 | 1790001251 | S.DIO MA2S1110GL | T | 89.2/56.7 |
| D18 | 1790001251 | S.DIO MA2S1110GL | T | 89.2/10.4 |
| L1 | 6140002350 | COI LR-274 (RIB4X7X5 3A6) | | |
| L2 | 6140004690 | COI LR-530 <KN> | | |
| L3 | 6140004700 | COI LR-529 | | |
| L4 | 6140003590 | COI LR-400 (TR10X5X5 6H3) | | |
| L5 | 6140004570 | COI LR-507 | | |
| L7 | 6140002220 | COI LR-270 (TR6X3X2 3A9) | | |
| L24 | 6200003241 | S.COI NLV32T-221J | T | 21.4/16.8 |
| L25 | 6200003241 | S.COI NLV32T-221J | T | 18.4/13.8 |
| L29 | 6140003440 | COI LR-386 (FK-100E-5003H) [EUR] | | |
| | 6140003440 | COI LR-386 (FK-100E-5003H) [FRA] | | |
| | 6140003440 | COI LR-386 (FK-100E-5003H) [ITR] | | |
| | 6140003440 | COI LR-386 (FK-100E-5003H) [ESP] | | |
| | 6140003440 | COI LR-386 (FK-100E-5003H) [EUR-01] | | |
| L38 | 6140003440 | COI LR-386 (FK-100E-5003H) [EUR] | | |
| | 6140003440 | COI LR-386 (FK-100E-5003H) [FRA] | | |
| | 6140003440 | COI LR-386 (FK-100E-5003H) [ITR] | | |
| | 6140003440 | COI LR-386 (FK-100E-5003H) [ESP] | | |
| | 6140003440 | COI LR-386 (FK-100E-5003H) [EUR-01] | | |
| L131 | 6200002041 | S.COI NLV25T-101J | T | 36.0/80.2 |
| R1 | 7030003310 | S.RES ERJ3GEYJ 820 V (82) | T | 23.5/31.2 |
| R2 | 7030003510 | S.RES ERJ3GEYJ 392 V (3.9K) | T | 22.3/31.2 |
| R3 | 7030003410 | S.RES ERJ3GEYJ 561 V (560) | T | 26.8/26.1 |
| R4 | 7030006210 | S.RES ERJ12YJ4R7U (4.7) | T | 31.1/34.2 |
| R5 | 7030008180 | S.RES ERJ12YJ331U (330) | T | 29.5/24.2 |
| R6 | 7030003450 | S.RES ERJ3GEYJ 122 V (1.2K) | T | 23.5/33.8 |
| R7 | 7030000220 | S.RES MCR10EZHZJ 47 (470) | T | 40.3/41.0 |
| R8 | 7030000220 | S.RES MCR10EZHZJ 47 (470) | T | 40.3/8.2 |
| R9 | 7030010480 | S.RES ERJ1TYJ 181U (180) | T | 49.5/34.7 |
| R10 | 7030010480 | S.RES ERJ1TYJ 181U (180) | T | 49.5/6.6 |
| R11 | 7030003230 | S.RES ERJ3GEYJ 180 V (18) | T | 15.5/25.8 |
| R12 | 7030003370 | S.RES ERJ3GEYJ 271 V (270) | T | 16.3/27.9 |
| R13 | 7030003370 | S.RES ERJ3GEYJ 271 V (270) | T | 16.8/25.8 |
| R15 | 7030010410 | S.RES ERJ1TYJ 220U (22) | T | 107.4/38.5 |
| R16 | 7030010410 | S.RES ERJ1TYJ 220U (22) | T | 107.4/28.5 |
| R17 | 7030003510 | S.RES ERJ3GEYJ 392 V (3.9K) | T | 90.0/54.8 |
| R18 | 7030003510 | S.RES ERJ3GEYJ 392 V (3.9K) | T | 90.0/12.2 |
| R20 | 7030000010 | S.RES MCR10EZHZJ JPW (000) | T | 21.5/26.0 |
| R22 | 7030010950 | S.RES ERJ1TYJ 100U (10) | T | 74.2/18.1 |
| R25 | 7030005971 | S.RES ERA3YKD 683V (68K) | T | 143.1/80.4 |
| R26 | 7030005981 | S.RES ERA3YED 333V (33K) | T | 138.7/80.4 |
| R27 | 7030005981 | S.RES ERA3YED 333V (33K) | T | 136.9/80.4 |
| R29 | 7030007661 | S.RES ERA3YED 331V (330) | T | 140.5/81.2 |
| R31 | 7030003450 | S.RES ERJ3GEYJ 122 V (1.2K) | T | 92.4/7.7 |
| R32 | 7030010570 | S.RES ERJ1TYJ 4R7U (4.7) | T | 165.7/61.8 |
| R33 | 7030010570 | S.RES ERJ1TYJ 4R7U (4.7) | T | 169.4/61.8 |
| R34 | 7030010410 | S.RES ERJ1TYJ 220U (22) | T | 103.4/38.5 |
| R36 | 7030010410 | S.RES ERJ1TYJ 220U (22) | T | 103.4/28.5 |
| R37 | 7030010410 | S.RES ERJ1TYJ 220U (22) | T | 87.7/50.7 |
| R38 | 7030010410 | S.RES ERJ1TYJ 220U (22) | T | 87.7/16.3 |
| R39 | 7030011240 | S.RES LRF3W-LF-01-R020F | T | 137.8/75.5 |
| R40 | 7030011240 | S.RES LRF3W-LF-01-R020F | T | 137.8/68.5 |
| R41 | 7030003320 | S.RES ERJ3GEYJ 101 V (100) | T | 18.4/64.4 |
| R42 | 7030003320 | S.RES ERJ3GEYJ 101 V (100) | T | 18.4/68.1 |
| R43 | 7030003320 | S.RES ERJ3GEYJ 101 V (100) | T | 17.4/71.8 |
| R44 | 7030003400 | S.RES ERJ3GEYJ 471 V (470) | T | 9.6/25.2 |
| R45 | 7030003400 | S.RES ERJ3GEYJ 471 V (470) | T | 8.2/17.8 |
| R46 | 7030003480 | S.RES ERJ3GEYJ 222 V (2.2K) | T | 41.3/43.1 |
| R47 | 7030003480 | S.RES ERJ3GEYJ 222 V (2.2K) | T | 41.3/6.2 |
| R49 | 7030011130 | S.RES ERJ1TYJ 1R0U (1) | T | 99.9/13.5 |
| R50 | 7510001551 | S.THE NTG16 4LH 333JT | T | 105.1/6.2 |
| R51 | 7030003440 | S.RES ERJ3GEYJ 102 V (1K) | T | 33.6/32.7 |
| R52 | 7030004040 | S.RES ERJ3GEYJ 4R7 V (4.7) | T | 24.1/59.3 |
| R55 | 7030005971 | S.RES ERA3YKD 683V (68K) | T | 136.9/85.7 |
| R60 | 7030011130 | S.RES ERJ1TYJ 1R0U (1) | T | 99.9/53.6 |
| R71 | 7030003650 | S.RES ERJ3GEYJ 563 V (56K) | T | 6.0/28.2 |
| R72 | 7030003680 | S.RES ERJ3GEYJ 104 V (100K) | T | 4.8/28.2 |
| R73 | 7030003650 | S.RES ERJ3GEYJ 563 V (56K) | T | 8.4/26.7 |
| R74 | 7030003680 | S.RES ERJ3GEYJ 104 V (100K) | T | 7.2/28.2 |
| R75 | 7030003680 | S.RES ERJ3GEYJ 104 V (100K) | T | 3.4/19.3 |
| R76 | 7030003650 | S.RES ERJ3GEYJ 563 V (56K) | T | 7.0/17.8 |

M.=Mounted side (T: Mounted on the Top side, B: Mounted on the Bottom side) S.=Surface mount

[PA UNIT]

| REF NO. | PARTS NO. | DESCRIPTION | M. | H/V LOCATION |
|---------|------------|---------------------------------------|----|--------------|
| R77 | 7030003680 | S.RES ERJ3GEYJ 104 V (100K) | T | 5.8/17.1 |
| R78 | 7030003650 | S.RES ERJ3GEYJ 563 V (56K) | T | 4.6/19.3 |
| R79 | 7030003320 | S.RES ERJ3GEYJ 101 V (100) | T | 10.4/20.8 |
| R81 | 7030008240 | S.RES ERJ12Y0R00U | T | 40.2/32.4 |
| R82 | 7030008240 | S.RES ERJ12Y0R00U | T | 40.2/16.8 |
| R106 | 7030010250 | S.RES ERJ1TYJ 0R00U | T | 92.5/39.8 |
| R107 | 7030010250 | S.RES ERJ1TYJ 0R00U | T | 92.5/27.2 |
| R120 | 7030010250 | S.RES ERJ1TYJ 0R00U | T | 149.9/59.8 |
| R131 | 7030003400 | S.RES ERJ3GEYJ 471 V (470) | T | 141.4/85.2 |
| R132 | 7030003860 | S.RES ERJ3GE JPW V | T | 148.4/84.3 |
| C1 | 4030017320 | S.CER GRM21BB11H104KA01L (GRM40-034) | T | 23.3/28.0 |
| C2 | 4030008960 | S.CER C2012 JB 1C 104K-T | T | 25.2/26.4 |
| C3 | 4030004720 | S.CER C2012 JB 1H 102K-T | T | 25.9/37.6 |
| C4 | 4030005110 | S.CER C2012 JB 1E 473K-T | T | 28.5/19.6 |
| C5 | 4030012490 | S.CER GRM31M1X2A472JZ01L (GRM42-6 SL) | T | 44.0/37.1 |
| C6 | 4030012490 | S.CER GRM31M1X2A472JZ01L (GRM42-6 SL) | T | 44.0/9.0 |
| C8 | 4030005110 | S.CER C2012 JB 1E 473K-T | T | 30.1/28.8 |
| C12 | 4030007130 | S.CER C1608 CH 1H 101J-T | T | 14.3/25.8 |
| C17 | 4030008920 | S.CER C1608 JB 1H 473K-T | T | 22.3/33.9 |
| C19 | 4030008920 | S.CER C1608 JB 1H 473K-T | T | 23.5/36.5 |
| C21 | 4030005110 | S.CER C2012 JB 1E 473K-T | T | 72.7/12.4 |
| C22 | 4030006860 | S.CER C1608 JB 1H 102K-T | T | 74.2/12.7 |
| C27 | 4510009250 | S.ELE EEEFK1C471P | T | 181.0/73.2 |
| C28 | 4030006880 | S.CER C1608 JB 1H 472K-T | T | 150.9/72.0 |
| C29 | 4030011600 | S.CER C1608 JB 1E 104K-T | T | 161.5/72.0 |
| C30 | 4030007170 | S.CER C1608 CH 1H 221J-T | T | 165.4/72.0 |
| C31 | 4030005110 | S.CER C2012 JB 1E 473K-T | T | 125.3/80.6 |
| C32 | 4510009250 | S.ELE EEEFK1C471P | T | 130.6/81.6 |
| C33 | 4030006880 | S.CER C1608 JB 1H 472K-T | T | 119.6/70.3 |
| C34 | 4030007170 | S.CER C1608 CH 1H 221J-T | T | 117.3/70.3 |
| C35 | 4030018980 | S.CER C1608 JB 1H 104K-T | T | 115.0/70.3 |
| C42 | 4510009250 | S.ELE EEEFK1C471P | T | 145.9/73.2 |
| C43 | 4030006880 | S.CER C1608 JB 1H 472K-T | T | 94.8/6.2 |
| C44 | 4030006880 | S.CER C1608 JB 1H 472K-T | T | 90.0/7.7 |
| C46 | 4030006880 | S.CER C1608 JB 1H 472K-T | T | 23.2/76.3 |
| C47 | 4030006880 | S.CER C1608 JB 1H 472K-T | T | 135.7/83.1 |
| C52 | 4030008920 | S.CER C1608 JB 1H 473K-T | T | 96.0/6.2 |
| C53 | 4030008920 | S.CER C1608 JB 1H 473K-T | T | 18.7/56.1 |
| C54 | 4030008920 | S.CER C1608 JB 1H 473K-T | T | 91.2/7.7 |
| C55 | 4030006880 | S.CER C1608 JB 1H 472K-T | T | 18.4/17.6 |
| C56 | 4030006860 | S.CER C1608 JB 1H 102K-T | T | 15.5/14.2 |
| C57 | 4030006880 | S.CER C1608 JB 1H 472K-T | T | 19.2/8.6 |
| C59 | 4510009250 | S.ELE EEEFK1C471P [EUR] | T | 81.3/72.6 |
| | 4510009250 | S.ELE EEEFK1C471P [FRA] | | |
| | 4510009250 | S.ELE EEEFK1C471P [ITR] | | |
| | 4510009250 | S.ELE EEEFK1C471P [ESP] | | |
| | 4510009250 | S.ELE EEEFK1C471P [EUR-01] | | |
| C60 | 4030004740 | S.CER C2012 JB 1H 472K-T [EUR] | T | 75.9/75.3 |
| | 4030004740 | S.CER C2012 JB 1H 472K-T [FRA] | | |
| | 4030004740 | S.CER C2012 JB 1H 472K-T [ITR] | | |
| | 4030004740 | S.CER C2012 JB 1H 472K-T [ESP] | | |
| | 4030004740 | S.CER C2012 JB 1H 472K-T [EUR-01] | | |
| C61 | 4030004740 | S.CER C2012 JB 1H 472K-T [EUR] | T | 75.9/69.9 |
| | 4030004740 | S.CER C2012 JB 1H 472K-T [FRA] | | |
| | 4030004740 | S.CER C2012 JB 1H 472K-T [ITR] | | |
| | 4030004740 | S.CER C2012 JB 1H 472K-T [ESP] | | |
| | 4030004740 | S.CER C2012 JB 1H 472K-T [EUR-01] | | |
| C62 | 4030018980 | S.CER C1608 JB 1H 104K-T [EUR] | T | 42.8/72.6 |
| | 4030018980 | S.CER C1608 JB 1H 104K-T [FRA] | | |
| | 4030018980 | S.CER C1608 JB 1H 104K-T [ITR] | | |
| | 4030018980 | S.CER C1608 JB 1H 104K-T [ESP] | | |
| | 4030018980 | S.CER C1608 JB 1H 104K-T [EUR-01] | | |
| C63 | 4560000210 | CER RDER71H684K2K1C03B [EUR] | | |
| | 4560000210 | CER RDER71H684K2K1C03B [FRA] | | |
| | 4560000210 | CER RDER71H684K2K1C03B [ITR] | | |
| | 4560000210 | CER RDER71H684K2K1C03B [ESP] | | |
| | 4560000210 | CER RDER71H684K2K1C03B [EUR-01] | | |
| C66 | 4030018750 | S.CER C3225 CH 2J 682K-T | T | 95.7/43.9 |
| C67 | 4030018750 | S.CER C3225 CH 2J 682K-T | T | 95.7/23.2 |
| C71 | 4030011550 | S.CER GRM31M2C2H680JV01L (GRM42-6) | T | 59.5/33.5 |
| C72 | 4030014460 | S.CER GRM31M2C2H820JV01L (GRM42-6) | T | 57.4/33.5 |
| C73 | 4030018750 | S.CER C3225 CH 2J 682K-T | T | 103.0/18.0 |
| C74 | 4030018750 | S.CER C3225 CH 2J 682K-T | T | 103.0/49.1 |
| C77 | 4030006880 | S.CER C1608 JB 1H 472K-T | T | 22.0/76.3 |
| C78 | 4030006860 | S.CER C1608 JB 1H 102K-T | T | 16.2/75.8 |
| C79 | 4030006880 | S.CER C1608 JB 1H 472K-T | T | 9.8/85.8 |
| C80 | 4030006880 | S.CER C1608 JB 1H 472K-T | T | 8.6/83.2 |
| C81 | 4030018530 | S.CER C3216 CH 1H 103J-T | T | 41.0/37.8 |
| C82 | 4030018530 | S.CER C3216 CH 1H 103J-T | T | 41.0/11.4 |
| C83 | 4030008920 | S.CER C1608 JB 1H 473K-T | T | 37.5/7.9 |
| C84 | 4030008920 | S.CER C1608 JB 1H 473K-T | T | 38.4/37.2 |
| C85 | 4030008920 | S.CER C1608 JB 1H 473K-T | T | 83.3/11.9 |
| C86 | 4030008920 | S.CER C1608 JB 1H 473K-T | T | 83.2/55.1 |
| C87 | 4030011600 | S.CER C1608 JB 1E 104K-T | T | 22.1/58.7 |
| C88 | 4030011600 | S.CER C1608 JB 1E 104K-T | T | 17.2/64.4 |
| C89 | 4030011600 | S.CER C1608 JB 1E 104K-T | T | 17.2/68.1 |
| C90 | 4030011600 | S.CER C1608 JB 1E 104K-T | T | 16.2/71.8 |
| C91 | 4030011600 | S.CER C1608 JB 1E 104K-T | T | 19.8/75.8 |
| C92 | 4030011600 | S.CER C1608 JB 1E 104K-T | T | 17.4/75.8 |
| C93 | 4030011600 | S.CER C1608 JB 1E 104K-T | T | 29.1/79.2 |

Eqv.= This component is equivalent to the REF No. component listed above, and may be substituted on parts orders and repairs.

[PA UNIT]

| REF NO. | PARTS NO. | DESCRIPTION | M. | H/V LOCATION |
|---------|------------|------------------------------------|----|--------------|
| C94 | 4030011600 | S.CER C1608 JB 1E 104K-T | T | 16.9/20.9 |
| C97 | 4030006880 | S.CER C1608 JB 1H 472K-T | T | 18.6/75.8 |
| C100 | 4030011600 | S.CER C1608 JB 1E 104K-T | T | 82.1/11.9 |
| C101 | 4030011600 | S.CER C1608 JB 1E 104K-T | T | 82.0/55.1 |
| C102 | 4030018960 | S.CER C3216 JB 1C 106MT-FN | T | 8.3/43.0 |
| C103 | 4030018960 | S.CER C3216 JB 1C 106MT-FN | T | 8.3/38.0 |
| C104 | 4030011600 | S.CER C1608 JB 1E 104K-T | T | 10.0/42.7 |
| C105 | 4030011600 | S.CER C1608 JB 1E 104K-T | T | 10.0/38.3 |
| C106 | 4030011730 | S.CER GRM31M2C2H101JV01L (GRM42-6) | T | 85.0/42.6 |
| C107 | 4030011730 | S.CER GRM31M2C2H101JV01L (GRM42-6) | T | 85.0/24.4 |
| C111 | 4030011550 | S.CER GRM31M2C2H680JV01L (GRM42-6) | T | 134.8/58.0 |
| C112 | 4030011550 | S.CER GRM31M2C2H680JV01L (GRM42-6) | T | 134.8/9.1 |
| C113 | 4030011740 | S.CER GRM32N2C2H201JV01L (GRM42-2) | T | 144.2/33.5 |
| C114 | 4030011740 | S.CER GRM32N2C2H201JV01L (GRM42-2) | T | 141.0/33.5 |
| C115 | 4030011740 | S.CER GRM32N2C2H201JV01L (GRM42-2) | T | 137.8/33.5 |
| C116 | 4030011740 | S.CER GRM32N2C2H201JV01L (GRM42-2) | T | 134.6/33.5 |
| C121 | 4030011600 | S.CER C1608 JB 1E 104K-T | T | 9.2/20.8 |
| C122 | 4510009250 | S.ELE EEEFK1C471P | T | 156.0/73.2 |
| C123 | 4510009250 | S.ELE EEEFK1C471P | T | 171.8/73.2 |
| C124 | 4510009250 | S.ELE EEEFK1C471P | T | 120.0/81.6 |
| C125 | 4030011600 | S.CER C1608 JB 1E 104K-T | T | 24.4/76.3 |
| C130 | 4030011600 | S.CER C1608 JB 1E 104K-T | T | 22.1/56.1 |
| C131 | 4030006880 | S.CER C1608 JB 1H 472K-T | T | 36.3/78.3 |
| C132 | 4030011600 | S.CER C1608 JB 1E 104K-T | T | 146.3/80.9 |
| C133 | 4030018960 | S.CER C3216 JB 1C 106MT-FN | T | 148.0/80.1 |
| C134 | 4030006880 | S.CER C1608 JB 1H 472K-T | T | 140.2/85.2 |
| RL1 | 6330001920 | REL ALDP112W | | |
| Eqv. | 6330001960 | REL ETR-GCJ-SH-112DMZ <SLVJ> | | |
| J4 | 6510024151 | S.CON 50FY-BMT-TB(LF)(SN) | T | 25.3/83.9 |
| J8 | 6510028210 | CON SJ050010 (TMP-J01X-V6) | | |
| J9 | 6510028210 | CON SJ050010 (TMP-J01X-V6) | | |
| J131 | 6510014961 | S.CON B2B-ZR-SM4-TF(LF)(SN) | T | 151.1/82.8 |
| J132 | 6510014961 | S.CON B2B-ZR-SM4-TF(LF)(SN) | T | 157.2/82.8 |
| F1 | 5220000400 | HOL FHA010-01F | | |
| F2 | 5210000940 | FUS 1205 | | |
| W40 | 8900018211 | CAB OPC-1942A [USA] | | |
| | 8900018220 | CAB OPC-1943 [EUR] | | |
| | 8900018220 | CAB OPC-1943 [FRA] | | |
| | 8900018220 | CAB OPC-1943 [ITR] | | |
| | 8900018220 | CAB OPC-1943 [ESP] | | |
| | 8900018220 | CAB OPC-1943 [EUR-01] | | |
| | 8900017860 | CAB OPC-1857 [KOR] | | |
| | 8900017860 | CAB OPC-1857 [CHN] | | |
| | 8900017860 | CAB OPC-1857 [EXP] | | |
| EP1 | 6910019200 | S.BEA N2012ZPS121T50 | T | 71.5/19.5 |
| EP2 | 6910019200 | S.BEA N2012ZPS121T50 | T | 71.5/16.2 |
| EP6 | 6910012350 | S.BEA MMZ1608Y 102BT | T | 19.0/21.6 |
| EP8 | 6910019200 | S.BEA N2012ZPS121T50 | T | 70.8/12.4 |
| EP11 | 6910012350 | S.BEA MMZ1608Y 102BT | T | 24.4/80.0 |
| EP12 | 6910019200 | S.BEA N2012ZPS121T50 | T | 26.3/79.4 |
| EP21 | 6910012350 | S.BEA MMZ1608Y 102BT | T | 9.8/83.2 |
| EP26 | 6910018930 | S.BEA MPZ2012S601A | T | 22.0/8.9 |
| EP27 | 6910018930 | S.BEA MPZ2012S601A | T | 28.5/7.5 |

M.=Mounted side (T: Mounted on the Top side, B: Mounted on the Bottom side) S.=Surface mount

[FILTER UNIT]

| REF NO. | PARTS NO. | DESCRIPTION | M. | H/V LOCATION |
|---------|------------|------------------------------------|----|--------------|
| Q149 | 1590001960 | S.TRA XP4311(TX) | T | 87.6/70.7 |
| Q150 | 1590001960 | S.TRA XP4311(TX) | T | 78.2/83.6 |
| Q151 | 1590001960 | S.TRA XP4311(TX) | T | 83.3/83.7 |
| Q152 | 1590001960 | S.TRA XP4311(TX) | T | 85.8/35.0 |
| Q153 | 1590001960 | S.TRA XP4311(TX) | T | 85.8/23.8 |
| Q154 | 1590001960 | S.TRA XP4311(TX) | T | 85.8/59.4 |
| Q158 | 1590001960 | S.TRA XP4311(TX) | T | 86.0/48.8 |
| D21 | 1790001251 | S.DIO MA2S1110GL | T | 86.1/52.0 |
| D41 | 1790001251 | S.DIO MA2S1110GL | T | 86.1/16.0 |
| D61 | 1790001251 | S.DIO MA2S1110GL | T | 86.1/26.5 |
| D81 | 1790001251 | S.DIO MA2S1110GL | T | 86.1/77.4 |
| D101 | 1790001251 | S.DIO MA2S1110GL | T | 72.3/83.6 |
| D121 | 1790001251 | S.DIO MA2S1110GL | T | 86.5/61.7 |
| D147 | 1790001251 | S.DIO MA2S1110GL | T | 86.1/40.1 |
| L21 | 6140001990 | COI LR-226 (T68-2) | | |
| L22 | 6140002000 | COI LR-227 (T68-2) | | |
| L23 | 6200005051 | S.COI NLV25T-330J | T | 86.7/55.0 |
| L24 | 6200005051 | S.COI NLV25T-330J | T | 10.3/63.9 |
| L41 | 6140001240 | COI LR-149 (T68-2) | | |
| L42 | 6140001130 | COI LR-138 (T68-2) | | |
| L43 | 6200005051 | S.COI NLV25T-330J | T | 86.7/19.0 |
| L44 | 6200005051 | S.COI NLV25T-330J | T | 2.4/17.6 |
| L61 | 6140001800 | COI LR-216 (T50-2) | | |
| L62 | 6140001800 | COI LR-216 (T50-2) | | |
| L63 | 6200005051 | S.COI NLV25T-330J | T | 86.7/29.5 |
| L64 | 6140001800 | COI LR-216 (T50-2) | | |
| L65 | 6200005051 | S.COI NLV25T-330J | T | 4.6/31.8 |
| L81 | 6140004770 | COI LR-537 | | |
| L82 | 6140004750 | COI LR-535 | | |
| L83 | 6200005051 | S.COI NLV25T-330J | T | 86.7/80.4 |
| L84 | 6140001810 | COI LR-217 (T50-10) | | |
| L85 | 6200005051 | S.COI NLV25T-330J | T | 3.1/79.5 |
| L101 | 6110002910 | COI LA-480 | | |
| L102 | 6110002920 | COI LA-481 | | |
| L103 | 6200005011 | S.COI NLV25T-100J | T | 73.6/86.2 |
| L104 | 6200005011 | S.COI NLV25T-100J | T | 9.2/81.3 |
| L121 | 6110002900 | COI LA-479 | | |
| L122 | 6110002890 | COI LA-478 | | |
| L123 | 6200005011 | S.COI NLV25T-100J | T | 86.7/65.2 |
| L124 | 6200005011 | S.COI NLV25T-100J | T | 11.9/68.2 |
| L141 | 6110003540 | COI LA-548 (LA-215A) | | |
| L142 | 6110003570 | COI LA-550 | | |
| L143 | 6110003550 | COI LA-547 (LA-214A) | | |
| L144 | 6200002861 | S.COI NLV25T-4R7J | T | 86.7/43.1 |
| L145 | 6200002861 | S.COI NLV25T-4R7J | T | 4.8/49.8 |
| R21 | 7030003340 | S.RES ERJ3GEYJ 151 V (150) | T | 85.9/57.5 |
| R41 | 7030003340 | S.RES ERJ3GEYJ 151 V (150) | T | 85.9/21.9 |
| R61 | 7030003340 | S.RES ERJ3GEYJ 151 V (150) | T | 85.9/33.1 |
| R81 | 7030003340 | S.RES ERJ3GEYJ 151 V (150) | T | 85.8/82.8 |
| R101 | 7030003340 | S.RES ERJ3GEYJ 151 V (150) | T | 76.0/83.7 |
| R121 | 7030003340 | S.RES ERJ3GEYJ 151 V (150) | T | 86.7/68.2 |
| R141 | 7030003340 | S.RES ERJ3GEYJ 151 V (150) | T | 84.7/46.4 |
| C21 | 4030008920 | S.CER C1608 JB 1H 473K-T | T | 7.0/63.4 |
| C22 | 4030008920 | S.CER C1608 JB 1H 473K-T | T | 87.3/52.0 |
| C23 | 4010007510 | CER HM17SJ SL 821J 500V | | |
| C24 | 4320001050 | S.MIC UC342H 3900J-T | T | 30.1/49.0 |
| C26 | 4010007510 | CER HM17SJ SL 821J 500V | | |
| C27 | 4030012480 | S.CER GRM31M2C2H121JV01L (GRM42-6) | T | 60.6/59.1 |
| C28 | 4010007510 | CER HM17SJ SL 821J 500V | | |
| C29 | 4010007590 | CER HM15SJ SL 681J 500V | | |
| C30 | 4010007510 | CER HM17SJ SL 821J 500V | | |
| C31 | 4010007510 | CER HM17SJ SL 821J 500V | | |
| C32 | 4010007590 | CER HM15SJ SL 681J 500V | | |
| C33 | 4030006880 | S.CER C1608 JB 1H 472K-T | T | 88.6/55.3 |
| C34 | 4010005930 | CER HM11SJ SL 391J 500V | | |
| C35 | 4030012480 | S.CER GRM31M2C2H121JV01L (GRM42-6) | T | 41.4/47.8 |
| C36 | 4010007510 | CER HM17SJ SL 821J 500V | | |
| C37 | 4030011730 | S.CER GRM31M2C2H101JV01L (GRM42-6) | T | 27.2/50.0 |
| C38 | 4030011550 | S.CER GRM31M2C2H680JV01L (GRM42-6) | T | 25.1/50.0 |
| C41 | 4030008920 | S.CER C1608 JB 1H 473K-T | T | 4.6/17.3 |
| C42 | 4030008920 | S.CER C1608 JB 1H 473K-T | T | 87.3/16.0 |
| C44 | 4010005360 | CER HM11SJ SL 301J 500V | | |
| C45 | 4010005360 | CER HM11SJ SL 301J 500V | | |
| C46 | 4010005930 | CER HM11SJ SL 391J 500V | | |
| C47 | 4010005370 | CER HM11SJ SL 331J 500V | | |
| C48 | 4030011730 | S.CER GRM31M2C2H101JV01L (GRM42-6) | T | 57.8/8.1 |
| C49 | 4010005850 | CER HM95SJ SL 181J 500V | | |
| C50 | 4010005930 | CER HM11SJ SL 391J 500V | | |
| C51 | 4030011240 | S.CER GRM31M2C2H470JV01L (GRM42-6) | T | 71.3/6.8 |
| C52 | 4010005370 | CER HM11SJ SL 331J 500V | | |
| C53 | 4010005370 | CER HM11SJ SL 331J 500V | | |
| C54 | 4030006880 | S.CER C1608 JB 1H 472K-T | T | 88.6/19.3 |
| C56 | 4030011180 | S.CER GRM31M2C2H220JV01L (GRM42-6) | T | 41.2/5.3 |

Eqv.= This component is equivalent to the REF No. component listed above, and may be substituted on parts orders and repairs.

[FILTER UNIT]

| REF NO. | PARTS NO. | DESCRIPTION | M. | H/V LOCATION |
|---------|------------|---------------------------------------|----|--------------|
| C61 | 4030008920 | S.CER C1608 JB 1H 473K-T | T | 2.5/29.8 |
| C62 | 4030008920 | S.CER C1608 JB 1H 473K-T | T | 87.3/26.5 |
| C63 | 4010005930 | CER HM11SJ SL 391J 500V | | |
| C65 | 4030011730 | S.CER GRM31M2C2H101JV01L (GRM42-6) | T | 15.8/21.1 |
| C66 | 4030011550 | S.CER GRM31M2C2H680JV01L (GRM42-6) | T | 17.9/21.1 |
| C67 | 4010007490 | CER HM15SJ SL 561J 500V | | |
| C68 | 4030012480 | S.CER GRM31M2C2H121JV01L (GRM42-6) | T | 33.0/23.2 |
| C69 | 4030012480 | S.CER GRM31M2C2H121JV01L (GRM42-6) | T | 35.1/20.5 |
| C70 | 4010007590 | CER HM15SJ SL 681J 500V | | |
| C71 | 4030011730 | S.CER GRM31M2C2H101JV01L (GRM42-6) | T | 56.1/23.9 |
| C72 | 4030006880 | S.CER C1608 JB 1H 472K-T | T | 88.6/29.8 |
| C74 | 4030011230 | S.CER GRM31M2C2H390JV01L (GRM42-6) | T | 56.8/18.7 |
| C76 | 4030011180 | S.CER GRM31M2C2H220JV01L (GRM42-6) | T | 71.0/23.3 |
| C77 | 4010005880 | CER HM95SJ SL 271J 500V | | |
| C81 | 4030008920 | S.CER C1608 JB 1H 473K-T | T | 3.7/76.5 |
| C82 | 4030008920 | S.CER C1608 JB 1H 473K-T | T | 87.3/77.4 |
| C83 | 4010005860 | CER HM95SJ SL 201J 500V | | |
| C84 | 4030011730 | S.CER GRM31M2C2H101JV01L (GRM42-6) | T | 30.2/78.3 |
| C85 | 4030014460 | S.CER GRM31M2C2H820JV01L (GRM42-6) | T | 50.8/74.7 |
| C86 | 4010005830 | CER HM74SJ SL 151J 500V | | |
| C88 | 4030014460 | S.CER GRM31M2C2H820JV01L (GRM42-6) | T | 72.1/73.6 |
| C89 | 4030006880 | S.CER C1608 JB 1H 472K-T | T | 88.6/80.7 |
| C90 | 4030011080 | S.CER GRM31M2C2H6R0DV01L (GRM42-6 CH) | T | 31.9/76.1 |
| C92 | 4030011230 | S.CER GRM31M2C2H390JV01L (GRM42-6) | T | 50.8/79.6 |
| C101 | 4030006880 | S.CER C1608 JB 1H 472K-T | T | 10.2/83.7 |
| C102 | 4030006880 | S.CER C1608 JB 1H 472K-T | T | 73.5/83.6 |
| C103 | 4030011730 | S.CER GRM31M2C2H101JV01L (GRM42-6) | T | 26.1/91.3 |
| C104 | 4030011510 | S.CER GRM31M2C2H560JV01L (GRM42-6) | T | 31.8/91.3 |
| C105 | 4030012480 | S.CER GRM31M2C2H121JV01L (GRM42-6) | T | 50.7/88.2 |
| C106 | 4030011170 | S.CER GRM31M2C2H180JV01L (GRM42-6) | T | 50.7/93.1 |
| C107 | 4030011730 | S.CER GRM31M2C2H101JV01L (GRM42-6) | T | 64.3/87.9 |
| C108 | 4030006880 | S.CER C1608 JB 1H 472K-T | T | 76.6/85.7 |
| C109 | 4030012480 | S.CER GRM31M2C2H121JV01L (GRM42-6) | T | 48.4/88.2 |
| C110 | 4030011170 | S.CER GRM31M2C2H180JV01L (GRM42-6) | T | 24.0/91.3 |
| C111 | 4030011140 | S.CER GRM31M2C2H120JV01L (GRM42-6) | T | 29.7/88.2 |
| C121 | 4030006880 | S.CER C1608 JB 1H 472K-T | T | 11.8/65.8 |
| C122 | 4030006880 | S.CER C1608 JB 1H 472K-T | T | 86.4/62.9 |
| C123 | 4030011100 | S.CER GRM31M2C2H8R0DV01L (GRM42-6 CH) | T | 67.5/62.2 |
| C124 | 4030011140 | S.CER GRM31M2C2H120JV01L (GRM42-6) | T | 45.1/72.2 |
| C126 | 4030011210 | S.CER GRM31M2C2H330JV01L (GRM42-6) | T | 67.5/68.1 |
| C127 | 4030011550 | S.CER GRM31M2C2H680JV01L (GRM42-6) | T | 69.8/64.4 |
| C128 | 4030011180 | S.CER GRM31M2C2H220JV01L (GRM42-6) | T | 33.9/66.2 |
| C129 | 4030006880 | S.CER C1608 JB 1H 472K-T | T | 88.6/65.5 |
| C130 | 4030011510 | S.CER GRM31M2C2H560JV01L (GRM42-6) | T | 31.8/66.2 |
| C132 | 4030011730 | S.CER GRM31M2C2H101JV01L (GRM42-6) | T | 50.2/68.7 |
| C133 | 4030011730 | S.CER GRM31M2C2H101JV01L (GRM42-6) | T | 52.3/68.7 |
| C143 | 4030011240 | S.CER GRM31M2C2H470JV01L (GRM42-6) | T | 28.7/30.1 |
| C145 | 4030011080 | S.CER GRM31M2C2H6R0DV01L (GRM42-6 CH) | T | 25.3/31.7 |
| C146 | 4030011230 | S.CER GRM31M2C2H390JV01L (GRM42-6) | T | 30.8/30.1 |
| C147 | 4030011180 | S.CER GRM31M2C2H220JV01L (GRM42-6) | T | 37.4/38.2 |
| C148 | 4030011510 | S.CER GRM31M2C2H560JV01L (GRM42-6) | T | 56.1/28.8 |
| C149 | 4030011140 | S.CER GRM31M2C2H120JV01L (GRM42-6) | T | 66.4/35.5 |
| C150 | 4030011210 | S.CER GRM31M2C2H330JV01L (GRM42-6) | T | 54.0/28.8 |
| C151 | 4030011180 | S.CER GRM31M2C2H220JV01L (GRM42-6) | T | 71.9/35.5 |
| C152 | 4030011080 | S.CER GRM31M2C2H6R0DV01L (GRM42-6 CH) | T | 74.0/35.5 |
| C153 | 4030011160 | S.CER GRM31M2C2H150JV01L (GRM42-6) | T | 18.0/34.9 |
| C154 | 4030011060 | S.CER GRM31M2C2H4R0CY21L (GRM42-6 CH) | T | 68.5/35.5 |
| C156 | 4030006880 | S.CER C1608 JB 1H 472K-T | T | 87.3/40.1 |
| C157 | 4030006880 | S.CER C1608 JB 1H 472K-T | T | 4.0/47.4 |

M.=Mounted side (T: Mounted on the Top side, B: Mounted on the Bottom side) S.=Surface mount

[LOGIC UNIT]

| REF NO. | PARTS NO. | DESCRIPTION | M. | H/V LOCATION | |
|---------|------------|--|------------------|--------------|------------|
| D59 | 1790001251 | S.DIO MA2S1110GL [EUR] | B | 119.3/29.3 | |
| | 1790001251 | S.DIO MA2S1110GL [FRA] | | | |
| | 1790001251 | S.DIO MA2S1110GL [ITR] | | | |
| | 1790001251 | S.DIO MA2S1110GL [ESP] | | | |
| | 1790001251 | S.DIO MA2S1110GL [EUR-01] | | | |
| | 1790001251 | S.DIO MA2S1110GL [KOR] | | | |
| | 1790001251 | S.DIO MA2S1110GL [CHN] | | | |
| | 1790001251 | S.DIO MA2S1110GL [EXP] | | | |
| | D61 | 1790001251 | S.DIO MA2S1110GL | B | 119.3/26.7 |
| | D62 | 1790001251 | S.DIO MA2S1110GL | B | 119.3/25.4 |
| D63 | 1790001251 | S.DIO MA2S1110GL [USA] | B | 119.3/24.1 | |
| | 1790001251 | S.DIO MA2S1110GL [EUR] | | | |
| | 1790001251 | S.DIO MA2S1110GL [ITR] | | | |
| | 1790001251 | S.DIO MA2S1110GL [ESP] | | | |
| | 1790001251 | S.DIO MA2S1110GL [EUR-01] | | | |
| | 1790001251 | S.DIO MA2S1110GL [KOR] | | | |
| | 1790001251 | S.DIO MA2S1110GL [CHN] | | | |
| | 1790001251 | S.DIO MA2S1110GL [EXP] | | | |
| | D64 | 1790001251 | S.DIO MA2S1110GL | B | 116.7/24.1 |
| | D80 | 1730002321 | S.ZEN MAZ8051GML | B | 159.3/38.6 |
| D81 | 1790001251 | S.DIO MA2S1110GL | B | 157.7/39.0 | |
| D102 | 1790001251 | S.DIO MA2S1110GL | T | 73.0/18.2 | |
| D104 | 1750000370 | S.DIO DA221 TL | T | 33.5/27.3 | |
| D120 | 1750000370 | S.DIO DA221 TL | T | 35.9/43.9 | |
| D121 | 1750000370 | S.DIO DA221 TL | T | 35.9/45.9 | |
| D122 | 1750000370 | S.DIO DA221 TL | T | 35.4/38.6 | |
| D123 | 1750000370 | S.DIO DA221 TL | T | 35.9/41.9 | |
| D124 | 1750000370 | S.DIO DA221 TL | T | 35.6/29.5 | |
| D125 | 1750000370 | S.DIO DA221 TL | T | 38.5/34.7 | |
| D126 | 1750000370 | S.DIO DA221 TL | B | 30.3/31.5 | |
| D180 | 1750000370 | S.DIO DA221 TL | T | 37.9/30.0 | |
| D194 | 1750000370 | S.DIO DA221 TL | B | 27.3/32.7 | |
| D211 | 1790001251 | S.DIO MA2S1110GL | B | 21.7/38.6 | |
| X1 | 6050010501 | S.XTA CR-636A SMD-49 14.7456 MHz <KDS> | B | 64.6/62.4 | |
| L1 | 6200003261 | S.COI NLV32T-101J | B | 46.0/33.1 | |
| L2 | 6200003261 | S.COI NLV32T-101J | T | 66.4/13.0 | |
| L3 | 6200002041 | S.COI NLV25T-101J | T | 72.8/13.0 | |
| L40 | 6200003261 | S.COI NLV32T-101J | B | 136.9/17.4 | |
| L41 | 6200002041 | S.COI NLV25T-101J | B | 56.3/5.7 | |
| L42 | 6200002041 | S.COI NLV25T-101J | B | 56.3/3.2 | |
| L70 | 6200003261 | S.COI NLV32T-101J | T | 30.2/35.7 | |
| L100 | 6200003261 | S.COI NLV32T-101J | T | 67.8/29.5 | |
| L105 | 6200003261 | S.COI NLV32T-101J | B | 160.8/27.6 | |
| L1073 | 6200003261 | S.COI NLV32T-101J | B | 123.8/36.5 | |
| R1 | 7030003860 | S.RES ERJ3GE JPW V | B | 87.0/49.0 | |
| R2 | 7030003630 | S.RES ERJ3GEYJ 393 V (39K) | B | 87.0/51.6 | |
| R3 | 7030003630 | S.RES ERJ3GEYJ 393 V (39K) | B | 87.0/54.2 | |
| R4 | 7030003630 | S.RES ERJ3GEYJ 393 V (39K) | B | 85.1/54.7 | |
| R5 | 7030005671 | S.RES ERA3YKD 393V (39K) | B | 85.3/58.8 | |
| R6 | 7030003680 | S.RES ERJ3GEYJ 104 V (100K) | B | 85.3/60.1 | |
| R7 | 7030003440 | S.RES ERJ3GEYJ 102 V (1K) | B | 170.5/16.2 | |
| R18 | 7030006220 | S.RES ERJ12YJ470U (47) | B | 45.7/13.6 | |
| R19 | 7030010250 | S.RES ERJ1TYJ 0R00U | B | 159.8/49.9 | |
| R20 | 7030003640 | S.RES ERJ3GEYJ 473 V (47K) | B | 17.9/64.0 | |
| R21 | 7030003630 | S.RES ERJ3GEYJ 393 V (39K) | B | 14.0/63.6 | |
| R22 | 7030003560 | S.RES ERJ3GEYJ 103 V (10K) | B | 13.9/65.4 | |
| R24 | 7030003560 | S.RES ERJ3GEYJ 103 V (10K) | B | 96.5/29.4 | |
| R25 | 7030003600 | S.RES ERJ3GEYJ 223 V (22K) | B | 96.5/30.7 | |
| R31 | 7030003640 | S.RES ERJ3GEYJ 473 V (47K) | B | 50.2/33.1 | |
| R36 | 7030003640 | S.RES ERJ3GEYJ 473 V (47K) | T | 143.4/55.1 | |
| R37 | 7030003640 | S.RES ERJ3GEYJ 473 V (47K) | T | 143.4/51.1 | |
| R38 | 7030003640 | S.RES ERJ3GEYJ 473 V (47K) | T | 143.4/37.1 | |
| R39 | 7030003640 | S.RES ERJ3GEYJ 473 V (47K) | T | 143.4/28.1 | |
| R40 | 7030003640 | S.RES ERJ3GEYJ 473 V (47K) | T | 142.3/64.3 | |
| R41 | 7030003640 | S.RES ERJ3GEYJ 473 V (47K) | T | 144.7/17.4 | |
| R42 | 7030003640 | S.RES ERJ3GEYJ 473 V (47K) | T | 81.2/21.5 | |
| R43 | 7030003640 | S.RES ERJ3GEYJ 473 V (47K) | T | 76.3/21.5 | |
| R49 | 7030003720 | S.RES ERJ3GEYJ 224 V (220K) | B | 139.9/18.6 | |
| R51 | 7030003440 | S.RES ERJ3GEYJ 102 V (1K) | B | 21.8/34.8 | |
| R52 | 7030003480 | S.RES ERJ3GEYJ 222 V (2.2K) | B | 21.8/30.1 | |
| R53 | 7030003480 | S.RES ERJ3GEYJ 222 V (2.2K) | B | 19.1/30.1 | |
| R54 | 7030003720 | S.RES ERJ3GEYJ 224 V (220K) | B | 142.5/20.7 | |
| R55 | 7030003520 | S.RES ERJ3GEYJ 472 V (4.7K) | B | 19.1/31.4 | |
| R56 | 7030003440 | S.RES ERJ3GEYJ 102 V (1K) | B | 72.3/8.9 | |
| R57 | 7030003560 | S.RES ERJ3GEYJ 103 V (10K) | B | 74.6/6.5 | |
| R59 | 7030003560 | S.RES ERJ3GEYJ 103 V (10K) | T | 41.7/28.1 | |
| R60 | 7030003440 | S.RES ERJ3GEYJ 102 V (1K) | B | 152.8/26.9 | |
| R61 | 7030003440 | S.RES ERJ3GEYJ 102 V (1K) | B | 154.8/26.9 | |
| R62 | 7030003480 | S.RES ERJ3GEYJ 222 V (2.2K) | B | 29.3/33.1 | |
| R63 | 7030003480 | S.RES ERJ3GEYJ 222 V (2.2K) | B | 29.3/34.3 | |
| R64 | 7030003440 | S.RES ERJ3GEYJ 102 V (1K) | B | 156.8/26.9 | |
| R66 | 7030003440 | S.RES ERJ3GEYJ 102 V (1K) | B | 139.9/17.3 | |
| R67 | 7030003440 | S.RES ERJ3GEYJ 102 V (1K) | B | 142.5/22.0 | |
| R70 | 7030003380 | S.RES ERJ3GEYJ 331 V (330) | B | 155.9/40.9 | |
| R71 | 7030003370 | S.RES ERJ3GEYJ 271 V (270) | B | 155.9/44.8 | |
| R72 | 7030003430 | S.RES ERJ3GEYJ 821 V (820) | B | 155.9/43.5 | |
| R73 | 7030003530 | S.RES ERJ3GEYJ 562 V (5.6K) | B | 155.9/42.2 | |
| R74 | 7030003440 | S.RES ERJ3GEYJ 102 V (1K) | B | 155.9/46.1 | |
| R75 | 7030009800 | S.RES ERJ12YJ121U (120) | B | 142.9/44.0 | |
| R76 | 7030003440 | S.RES ERJ3GEYJ 102 V (1K) | T | 19.2/24.5 | |
| R77 | 7030003440 | S.RES ERJ3GEYJ 102 V (1K) | T | 18.4/26.7 | |

Eqv.= This component is equivalent to the REF No. component listed above, and may be substituted on parts orders and repairs.

[LOGIC UNIT]

| REF NO. | PARTS NO. | DESCRIPTION | M. | H/V LOCATION |
|---------|------------|-----------------------------|----|--------------|
| R78 | 7030003440 | S.RES ERJ3GEYJ 102 V (1K) | T | 18.4/32.7 |
| R79 | 7030003440 | S.RES ERJ3GEYJ 102 V (1K) | T | 18.4/29.7 |
| R80 | 7030003420 | S.RES ERJ3GEYJ 681 V (680) | B | 156.4/39.0 |
| R81 | 7030009800 | S.RES ERJ12YJ121U (120) | B | 146.6/44.0 |
| R82 | 7030009800 | S.RES ERJ12YJ121U (120) | B | 139.1/44.0 |
| R100 | 7030003680 | S.RES ERJ3GEYJ 104 V (100K) | T | 70.4/29.6 |
| R101 | 7030003680 | S.RES ERJ3GEYJ 104 V (100K) | T | 71.7/29.6 |
| R102 | 7030003680 | S.RES ERJ3GEYJ 104 V (100K) | T | 67.9/20.8 |
| R103 | 7030003590 | S.RES ERJ3GEYJ 183 V (18K) | T | 69.2/20.8 |
| R104 | 7030003540 | S.RES ERJ3GEYJ 682 V (6.8K) | T | 67.9/18.2 |
| R105 | 7030003620 | S.RES ERJ3GEYJ 333 V (33K) | T | 71.0/17.4 |
| R106 | 7030003640 | S.RES ERJ3GEYJ 473 V (47K) | T | 71.1/21.6 |
| R107 | 7030003600 | S.RES ERJ3GEYJ 223 V (22K) | B | 7.6/32.7 |
| R108 | 7030003380 | S.RES ERJ3GEYJ 331 V (330) | T | 33.4/37.5 |
| R109 | 7030010500 | S.RES ERJ1TYJ 2R2U | B | 155.1/55.6 |
| R110 | 7030010250 | S.RES ERJ1TYJ 0R00U | B | 142.6/54.8 |
| R113 | 7030003860 | S.RES ERJ3GE JPW V | T | 73.2/21.9 |
| R114 | 7030003440 | S.RES ERJ3GEYJ 102 V (1K) | T | 33.9/25.6 |
| R115 | 7030003800 | S.RES ERJ3GEYJ 105 V (1M) | T | 31.4/26.4 |
| R126 | 7030003360 | S.RES ERJ3GEYJ 221 V (220) | T | 38.8/42.3 |
| R127 | 7030003360 | S.RES ERJ3GEYJ 221 V (220) | T | 38.8/40.9 |
| R151 | 7030003360 | S.RES ERJ3GEYJ 221 V (220) | T | 41.4/42.5 |
| R152 | 7030003360 | S.RES ERJ3GEYJ 221 V (220) | T | 41.4/41.2 |
| R153 | 7030003640 | S.RES ERJ3GEYJ 473 V (47K) | T | 30.0/58.9 |
| R154 | 7030003360 | S.RES ERJ3GEYJ 221 V (220) | B | 29.6/29.3 |
| R155 | 7030003360 | S.RES ERJ3GEYJ 221 V (220) | T | 41.4/43.8 |
| R156 | 7030003360 | S.RES ERJ3GEYJ 221 V (220) | T | 41.4/45.1 |
| R157 | 7030003360 | S.RES ERJ3GEYJ 221 V (220) | T | 33.2/29.5 |
| R158 | 7030003360 | S.RES ERJ3GEYJ 221 V (220) | B | 31.0/29.3 |
| R159 | 7030003360 | S.RES ERJ3GEYJ 221 V (220) | B | 33.6/29.3 |
| R162 | 7030003640 | S.RES ERJ3GEYJ 473 V (47K) | T | 35.2/56.4 |
| R163 | 7030003440 | S.RES ERJ3GEYJ 102 V (1K) | B | 40.0/30.3 |
| R169 | 7030003360 | S.RES ERJ3GEYJ 221 V (220) | B | 32.3/29.3 |
| R171 | 7030003360 | S.RES ERJ3GEYJ 221 V (220) | B | 34.4/54.8 |
| R172 | 7030003360 | S.RES ERJ3GEYJ 221 V (220) | B | 36.9/50.7 |
| R173 | 7030006571 | S.RES ERA3YED 392V (3.9K) | T | 39.2/39.0 |
| R174 | 7030006101 | S.RES ERA3YED 183V (18K) | T | 37.5/32.9 |
| R175 | 7030003360 | S.RES ERJ3GEYJ 221 V (220) | T | 28.7/58.9 |
| R176 | 7030003360 | S.RES ERJ3GEYJ 221 V (220) | B | 35.6/50.3 |
| R177 | 7030003360 | S.RES ERJ3GEYJ 221 V (220) | B | 34.3/50.3 |
| R180 | 7030003640 | S.RES ERJ3GEYJ 473 V (47K) | T | 39.5/29.8 |
| R181 | 7030003640 | S.RES ERJ3GEYJ 473 V (47K) | T | 35.5/40.2 |
| R182 | 7030003640 | S.RES ERJ3GEYJ 473 V (47K) | T | 35.3/37.0 |
| R183 | 7030003440 | S.RES ERJ3GEYJ 102 V (1K) | T | 35.4/31.7 |
| R197 | 7030003600 | S.RES ERJ3GEYJ 222 V (2.2K) | B | 21.8/28.1 |
| R198 | 7030003480 | S.RES ERJ3GEYJ 222 V (2.2K) | B | 19.8/28.0 |
| R199 | 7030003520 | S.RES ERJ3GEYJ 472 V (4.7K) | B | 18.6/26.6 |
| R201 | 7030003440 | S.RES ERJ3GEYJ 102 V (1K) | B | 21.7/24.0 |
| R202 | 7030003440 | S.RES ERJ3GEYJ 102 V (1K) | B | 52.8/33.1 |
| R203 | 7030003440 | S.RES ERJ3GEYJ 102 V (1K) | B | 56.1/37.3 |
| R204 | 7030003440 | S.RES ERJ3GEYJ 102 V (1K) | B | 57.2/34.6 |
| R205 | 7030003440 | S.RES ERJ3GEYJ 102 V (1K) | B | 57.5/37.3 |
| R206 | 7030003440 | S.RES ERJ3GEYJ 102 V (1K) | B | 58.7/34.3 |
| R207 | 7030003440 | S.RES ERJ3GEYJ 102 V (1K) | B | 60.0/37.3 |
| R211 | 7030003640 | S.RES ERJ3GEYJ 473 V (47K) | B | 21.7/37.3 |
| R212 | 7030003360 | S.RES ERJ3GEYJ 221 V (220) | B | 33.0/50.3 |
| R213 | 7030003520 | S.RES ERJ3GEYJ 472 V (4.7K) | B | 23.6/36.8 |
| R214 | 7030003620 | S.RES ERJ3GEYJ 333 V (33K) | B | 21.7/36.0 |
| R215 | 7030003580 | S.RES ERJ3GEYJ 153 V (15K) | B | 19.1/34.0 |
| R216 | 7030003440 | S.RES ERJ3GEYJ 102 V (1K) | T | 76.2/24.1 |
| R217 | 7030003440 | S.RES ERJ3GEYJ 102 V (1K) | T | 83.0/23.4 |
| R218 | 7030003440 | S.RES ERJ3GEYJ 102 V (1K) | T | 83.0/24.7 |
| R219 | 7030003440 | S.RES ERJ3GEYJ 102 V (1K) | T | 83.0/26.0 |
| R220 | 7030003440 | S.RES ERJ3GEYJ 102 V (1K) | T | 83.0/27.3 |
| R221 | 7030003440 | S.RES ERJ3GEYJ 102 V (1K) | T | 83.0/28.6 |
| R227 | 7030003200 | S.RES ERJ3GEYJ 100 V (10) | B | 137.0/21.3 |
| R228 | 7030003360 | S.RES ERJ3GEYJ 221 V (220) | T | 39.8/55.6 |
| R229 | 7030003360 | S.RES ERJ3GEYJ 221 V (220) | T | 32.5/58.9 |
| R230 | 7030003360 | S.RES ERJ3GEYJ 221 V (220) | T | 33.8/58.9 |
| R231 | 7030003360 | S.RES ERJ3GEYJ 221 V (220) | T | 35.1/58.9 |
| R232 | 7030003360 | S.RES ERJ3GEYJ 221 V (220) | T | 36.4/58.9 |
| R233 | 7030003360 | S.RES ERJ3GEYJ 221 V (220) | T | 37.7/58.9 |
| R234 | 7030003360 | S.RES ERJ3GEYJ 221 V (220) | B | 42.7/55.4 |
| R235 | 7030003360 | S.RES ERJ3GEYJ 221 V (220) | T | 38.5/55.6 |
| R236 | 7030003360 | S.RES ERJ3GEYJ 221 V (220) | B | 40.1/55.4 |
| R237 | 7030003360 | S.RES ERJ3GEYJ 221 V (220) | B | 44.0/55.4 |
| R238 | 7030003360 | S.RES ERJ3GEYJ 221 V (220) | B | 38.8/55.4 |

[LOGIC UNIT]

| REF NO. | PARTS NO. | DESCRIPTION | M. | H/V LOCATION |
|---------|------------|-----------------------------|----|--------------|
| R1084 | 7030003360 | S.RES ERJ3GEYJ 221 V (220) | B | 45.3/56.5 |
| R1085 | 7030003640 | S.RES ERJ3GEYJ 473 V (47K) | T | 39.6/58.8 |
| C1 | 4030007020 | S.CER C1608 CH 1H 120J-T | B | 61.1/59.1 |
| C2 | 4030007020 | S.CER C1608 CH 1H 120J-T | B | 66.3/59.1 |
| C4 | 4030006900 | S.CER C1608 JB 1H 103K-T | B | 99.1/30.7 |
| C8 | 4030011600 | S.CER C1608 JB 1E 104K-T | B | 12.7/63.6 |
| C9 | 4030008890 | S.CER C1608 JB 1H 273K-T | B | 10.8/62.0 |
| C11 | 4030011600 | S.CER C1608 JB 1E 104K-T | B | 49.0/7.9 |
| C12 | 4030018960 | S.CER C3216 JB 1C 106MT-N | B | 49.8/9.6 |
| C13 | 4030019490 | S.CER C2012 JB 1A 106K-T | B | 53.5/12.6 |
| C14 | 4030011600 | S.CER C1608 JB 1E 104K-T | B | 55.5/13.7 |
| C15 | 4030011600 | S.CER C1608 JB 1E 104K-T | B | 164.7/46.7 |
| C16 | 4030019490 | S.CER C2012 JB 1A 106K-T | B | 163.0/47.5 |
| C17 | 4030019490 | S.CER C2012 JB 1A 106K-T | B | 163.4/28.0 |
| C18 | 4030011600 | S.CER C1608 JB 1E 104K-T | B | 164.7/50.0 |
| C19 | 4030019490 | S.CER C2012 JB 1A 106K-T | B | 85.4/46.6 |
| C20 | 4030011600 | S.CER C1608 JB 1E 104K-T | B | 85.8/49.0 |
| C21 | 4030007090 | S.CER C1608 CH 1H 470J-T | B | 85.8/51.6 |
| C22 | 4030007090 | S.CER C1608 CH 1H 470J-T | B | 85.1/53.4 |
| C23 | 4030007090 | S.CER C1608 CH 1H 470J-T | B | 85.1/56.0 |
| C24 | 4030006860 | S.CER C1608 JB 1H 102K-T | B | 85.3/57.5 |
| C25 | 4030011600 | S.CER C1608 JB 1E 104K-T | B | 61.3/37.3 |
| C26 | 4030017490 | S.CER C1608 JB 1A 105K-T | B | 51.5/52.2 |
| C27 | 4030011600 | S.CER C1608 JB 1E 104K-T | B | 63.7/59.1 |
| C28 | 4030017490 | S.CER C1608 JB 1A 105K-T | B | 51.5/54.8 |
| C44 | 4030006880 | S.CER C1608 JB 1H 472K-T | B | 151.5/26.9 |
| C45 | 4030006880 | S.CER C1608 JB 1H 472K-T | B | 155.5/28.7 |
| C47 | 4030006880 | S.CER C1608 JB 1H 472K-T | B | 66.1/3.4 |
| C49 | 4030006880 | S.CER C1608 JB 1H 472K-T | B | 158.1/28.7 |
| C50 | 4030006880 | S.CER C1608 JB 1H 472K-T | B | 25.7/32.6 |
| C70 | 4030006880 | S.CER C1608 JB 1H 472K-T | T | 15.6/29.6 |
| C71 | 4030006880 | S.CER C1608 JB 1H 472K-T | T | 16.9/33.9 |
| C72 | 4030006880 | S.CER C1608 JB 1H 472K-T | T | 15.6/28.3 |
| C73 | 4030006880 | S.CER C1608 JB 1H 472K-T | T | 16.0/25.8 |
| C74 | 4030017490 | S.CER C1608 JB 1A 105K-T | B | 155.1/39.0 |
| C101 | 4030011600 | S.CER C1608 JB 1E 104K-T | T | 66.5/26.5 |
| C102 | 4030006880 | S.CER C1608 JB 1H 472K-T | T | 36.5/27.9 |
| C103 | 4030012610 | S.CER C2012 JB 1C 474K-T | T | 66.2/23.4 |
| C104 | 4030011600 | S.CER C1608 JB 1E 104K-T | B | 138.1/60.8 |
| C105 | 4030011600 | S.CER C1608 JB 1E 104K-T | B | 155.8/61.3 |
| C106 | 4030019490 | S.CER C2012 JB 1A 106K-T | B | 139.8/61.3 |
| C107 | 4030011600 | S.CER C1608 JB 1E 104K-T | B | 155.8/64.2 |
| C108 | 4030019490 | S.CER C2012 JB 1A 106K-T | B | 136.5/54.5 |
| C109 | 4030019490 | S.CER C2012 JB 1A 106K-T | B | 154.1/63.4 |
| C110 | 4030011600 | S.CER C1608 JB 1E 104K-T | B | 138.1/57.9 |
| C158 | 4030017490 | S.CER C1608 JB 1A 105K-T | B | 39.7/37.4 |
| C170 | 4030006880 | S.CER C1608 JB 1H 472K-T | B | 23.6/23.6 |
| C171 | 4030006880 | S.CER C1608 JB 1H 472K-T | T | 39.2/37.7 |
| C172 | 4030018910 | S.CER C1608 JB 0J 475K-T | T | 38.4/36.4 |
| C211 | 4030006880 | S.CER C1608 JB 1H 472K-T | B | 19.1/32.7 |
| C212 | 4030011600 | S.CER C1608 JB 1E 104K-T | B | 19.1/38.5 |
| C1071 | 4030011600 | S.CER C1608 JB 1E 104K-T | T | 127.9/14.6 |
| C1072 | 4510009700 | S.ELE EEEFK1C101P | B | 128.3/19.3 |
| C1073 | 4510009820 | S.ELE EEEFK1C470P | B | 129.2/5.1 |
| C1074 | 4510009820 | S.ELE EEEFK1C470P | B | 129.2/12.2 |
| J1 | 6510018971 | S.CON B4B-PH-SM4-TB(LF)(SN) | B | 140.8/29.5 |
| J3 | 6510019971 | S.CON 52808-1071 | B | 157.3/22.7 |
| J4 | 6510019971 | S.CON 52808-1071 | B | 61.1/7.7 |
| J5 | 6510019971 | S.CON 52808-1071 | B | 9.4/29.2 |
| J101 | 6510024151 | S.CON 50FY-BMT-TB(LF)(SN) | B | 39.3/25.8 |
| J102 | 6510024151 | S.CON 50FY-BMT-TB(LF)(SN) | B | 39.3/61.0 |
| J301 | 6510019971 | S.CON 52808-1071 | B | 77.2/59.5 |
| DS1 | 5030003090 | LCD S11325 <SUC> | | |
| DS2 | 5040003710 | S.LED KP-2012SYCK <TM> | T | 172.6/14.3 |
| DS70 | 5040003710 | S.LED KP-2012SYCK <TM> | T | 61.6/49.2 |
| DS71 | 5040003710 | S.LED KP-2012SYCK <TM> | T | 53.1/49.2 |
| DS73 | 5040003710 | S.LED KP-2012SYCK <TM> | T | 53.1/59.2 |
| DS74 | 5040003710 | S.LED KP-2012SYCK <TM> | T | 61.6/59.2 |
| DS76 | 5040003710 | S.LED KP-2012SYCK <TM> | T | 70.1/59.2 |
| DS77 | 5040003710 | S.LED KP-2012SYCK <TM> | T | 70.1/49.2 |
| DS79 | 5040003710 | S.LED KP-2012SYCK <TM> | T | 78.6/59.2 |
| DS80 | 5040003710 | S.LED KP-2012SYCK <TM> | T | 78.6/49.2 |
| DS82 | 5040003710 | S.LED KP-2012SYCK <TM> | T | 87.1/59.2 |
| DS83 | 5040003710 | S.LED KP-2012SYCK <TM> | T | 87.1/49.2 |
| DS85 | 5040003710 | S.LED KP-2012SYCK <TM> | T | 95.6/59.2 |
| DS86 | 5040003710 | S.LED KP-2012SYCK <TM> | T | 95.6/49.2 |
| DS88 | 5040003710 | S.LED KP-2012SYCK <TM> | T | 104.1/59.2 |
| DS89 | 5040003710 | S.LED KP-2012SYCK <TM> | T | 104.1/49.2 |
| EP2 | 8930076650 | LCD SRCN-3015-SP-N-W (SHJ) | | |
| EP4 | 6910012350 | S.BEA MMZ1608Y 102BT | B | 63.8/15.0 |
| EP5 | 6910012350 | S.BEA MMZ1608Y 102BT | T | 12.5/24.9 |
| EP6 | 6910012350 | S.BEA MMZ1608Y 102BT | B | 21.6/21.4 |
| EP45 | 6910012350 | S.BEA MMZ1608Y 102BT | B | 57.3/10.2 |
| EP46 | 6910012350 | S.BEA MMZ1608Y 102BT | B | 57.3/8.3 |
| EP47 | 6910018930 | S.BEA MPZ2012S601A | T | 41.9/23.3 |
| EP48 | 6910018930 | S.BEA MPZ2012S601A | T | 41.9/21.5 |
| EP49 | 6910018930 | S.BEA MPZ2012S601A | B | 41.1/21.2 |
| EP50 | 6910018930 | S.BEA MPZ2012S601A | B | 45.6/21.0 |
| EP51 | 6910018930 | S.BEA MPZ2012S601A | B | 65.5/7.5 |
| EP52 | 6910018930 | S.BEA MPZ2012S601A | B | 65.5/11.2 |

[LOGIC UNIT]

| REF NO. | PARTS NO. | DESCRIPTION | M. | H/V LOCATION |
|---------|------------|--------------------|----|--------------|
| EP53 | 6910018930 | S.BEA MPZ2012S601A | B | 8.8/25.3 |
| EP54 | 6910018930 | S.BEA MPZ2012S601A | B | 66.4/4.9 |
| EP55 | 6910018930 | S.BEA MPZ2012S601A | B | 43.0/21.0 |

Eqv.= This component is equivalent to the REF No. component listed above, and may be substituted on parts orders and repairs.

M.=Mounted side (T: Mounted on the Top side, B: Mounted on the Bottom side) S.=Surface mount

[VR-A UNIT]

| REF NO. | PARTS NO. | DESCRIPTION | M. | H/V LOCATION |
|---------|------------|---------------------------------|----|--------------|
| R1 | 7210002910 | VAR RV-310(RK0972210 10KB/10KB) | | |
| R2 | 7210002960 | VAR RV-313(RK0972210 10KB/10KB) | | |
| J1 | 6510026670 | S.CON IMSA-6281S-06Y900 | T | 21.7/5.1 |

[VR-B UNIT]

| REF NO. | PARTS NO. | DESCRIPTION | M. | H/V LOCATION |
|---------|------------|------------------------------|----|--------------|
| J1 | 6510020711 | S.CON 52793-1070(1090) | T | 9.2/2.4 |
| S1 | 2250000640 | ENC TP96D96E20-22F-10KB-3015 | | |

Eqv.= This component is equivalent to the REF No. component listed above, and may be substituted on parts orders and repairs.

M.=Mounted side (T: Mounted on the Top side, B: Mounted on the Bottom side)
S.=Surface mount

[MIC UNIT]

| REF NO. | PARTS NO. | DESCRIPTION | M. | H/V LOCATION |
|---------|------------|--------------------|----|--------------|
| J1 | 6510000191 | CON FM214-8SS(P)-1 | | |
| J2 | 6510019971 | S.CON 52808-1071 | B | 18.1/6.5 |

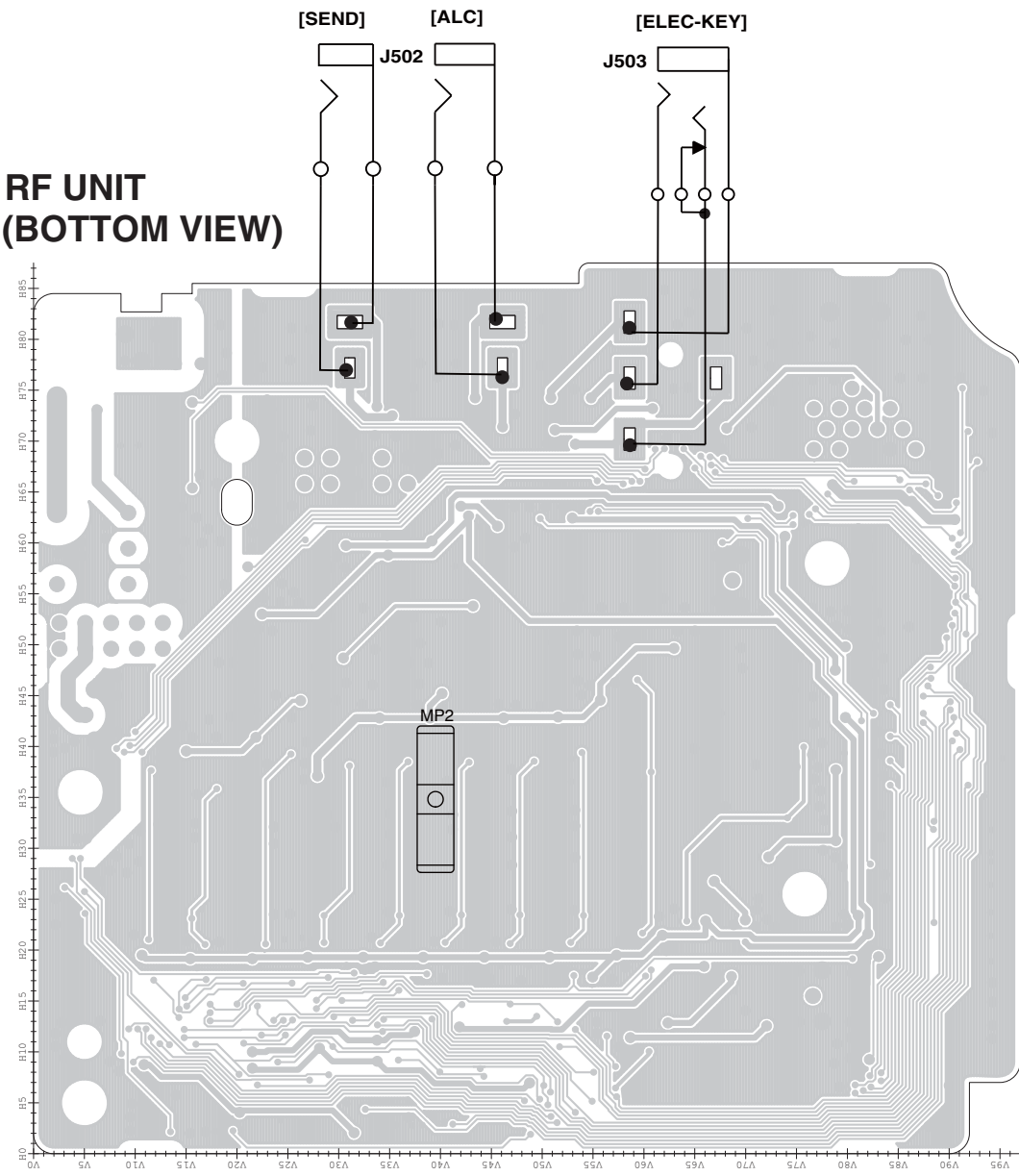
[PHONE UNIT]

| REF NO. | PARTS NO. | DESCRIPTION | M. | H/V LOCATION |
|---------|------------|---------------------------|----|--------------|
| R1 | 7030006070 | S.RES ERJ12YJ101U (100) | T | 24.6/5.0 |
| R2 | 7030006070 | S.RES ERJ12YJ101U (100) | T | 24.6/10.1 |
| R3 | 7030003440 | S.RES ERJ3GEYJ 102 V (1K) | T | 23.1/12.6 |
| C1 | 4030006880 | S.CER C1608 JB 1H 472K-T | B | 27.7/9.6 |
| C2 | 4030006880 | S.CER C1608 JB 1H 472K-T | T | 23.1/2.5 |
| C3 | 4030006880 | S.CER C1608 JB 1H 472K-T | T | 23.1/13.9 |
| J1 | 6510027890 | CON 01J0370-00 | | |
| J2 | 6510019971 | S.CON 52808-1071 | B | 26.6/4.0 |
| EP1 | 6910014690 | S.BEA MPZ1608S221A-T | B | 29.2/8.1 |

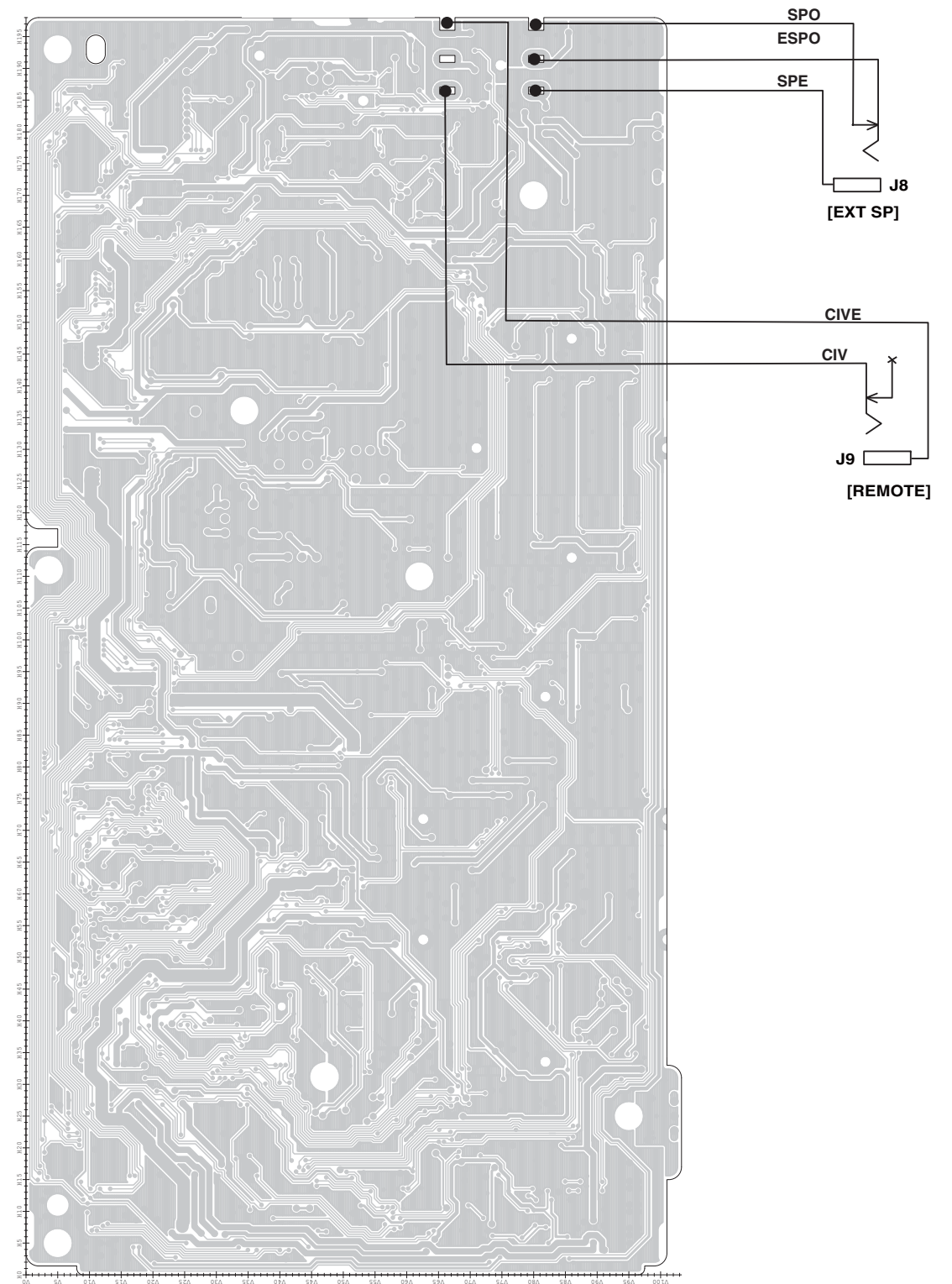
Eqv.= This component is equivalent to the REF No. component listed above, and may be substituted on parts orders and repairs.

M.=Mounted side (T: Mounted on the Top side, B: Mounted on the Bottom side)
S.=Surface mount

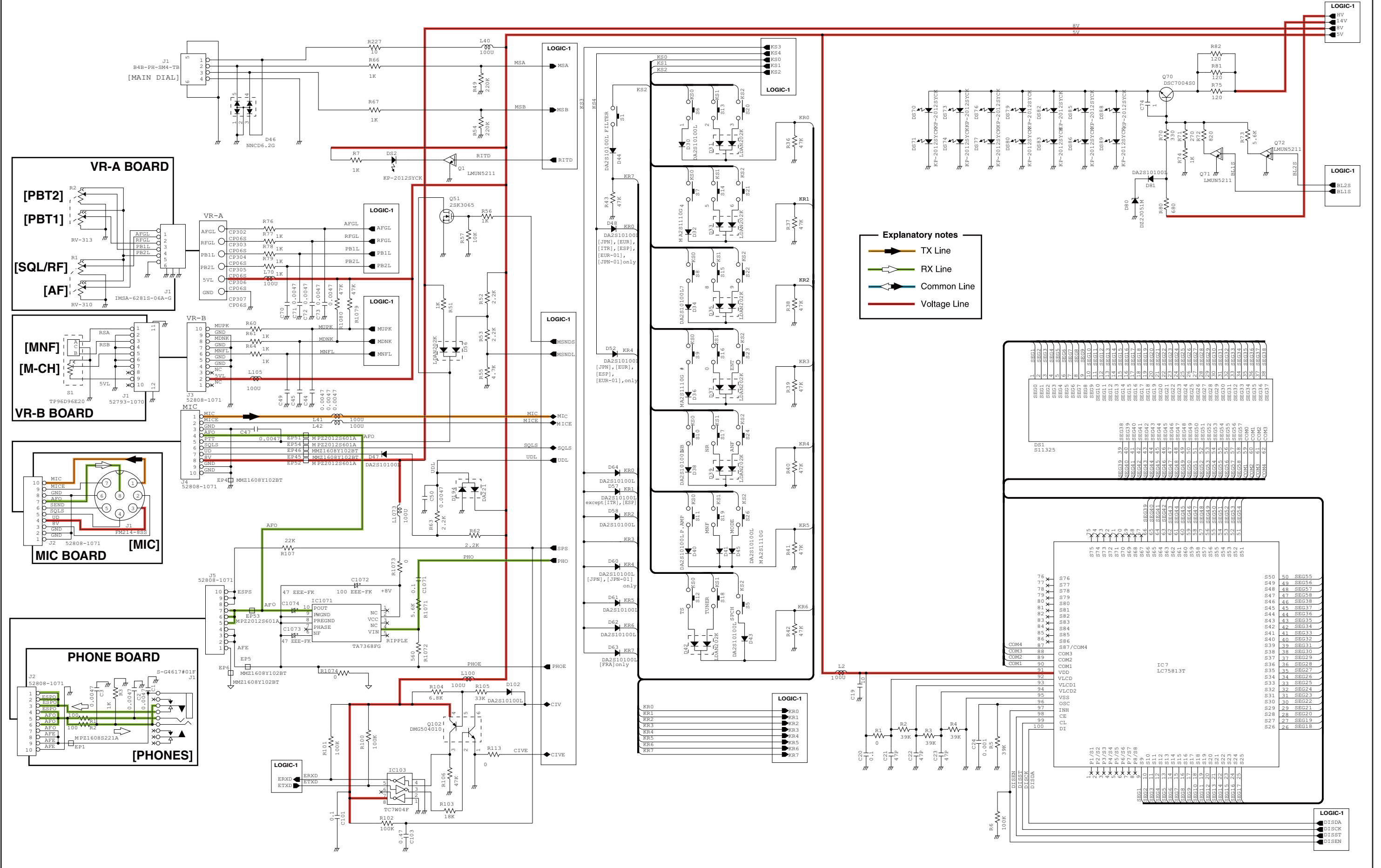
• RF UNIT
(BOTTOM VIEW)



• MAIN UNIT
(BOTTOM VIEW)

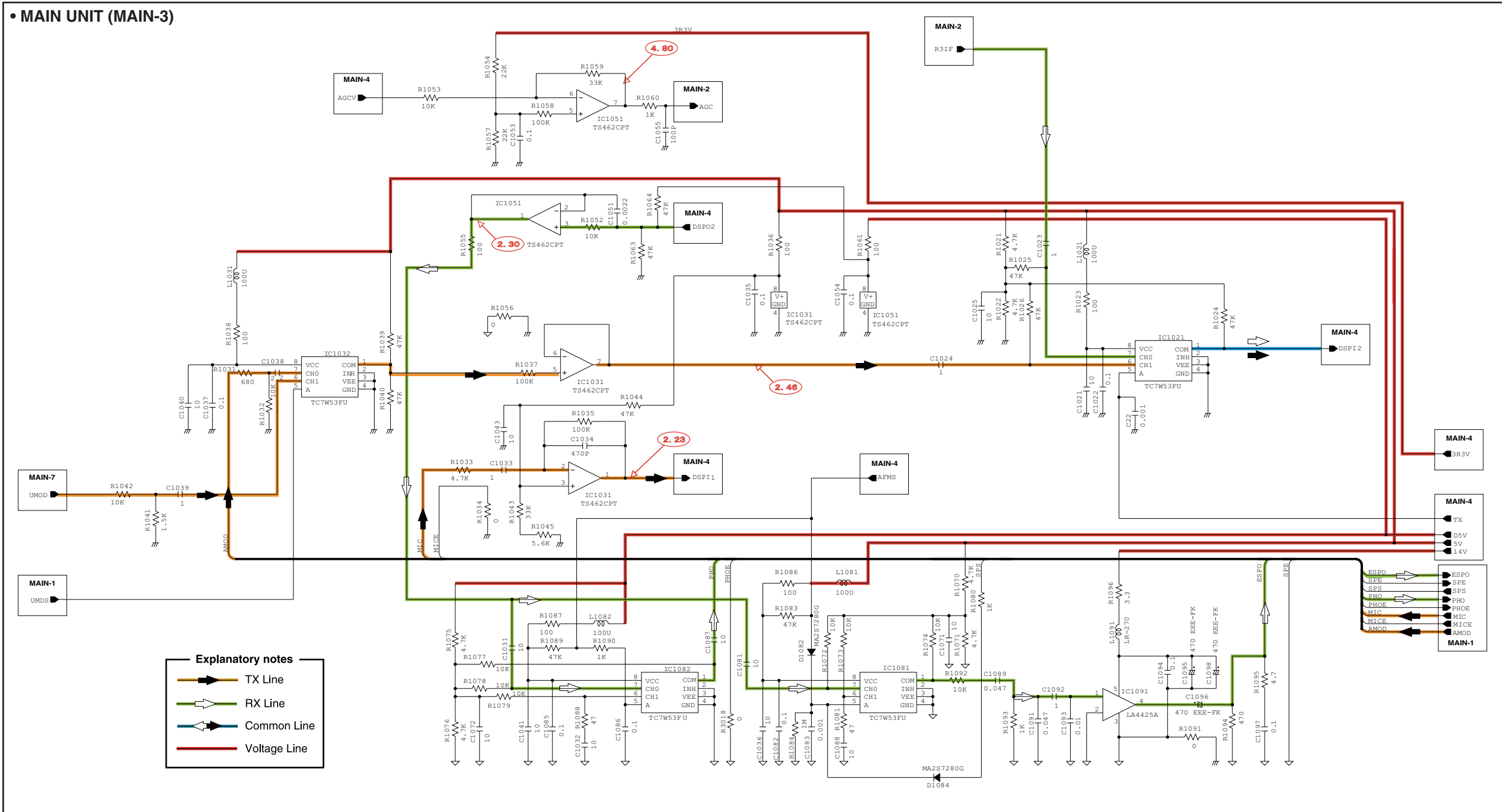


• LOGIC UNIT (LOGIC-2)



*; Refer to "PARTS LIST"

• MAIN UNIT (MAIN-3)

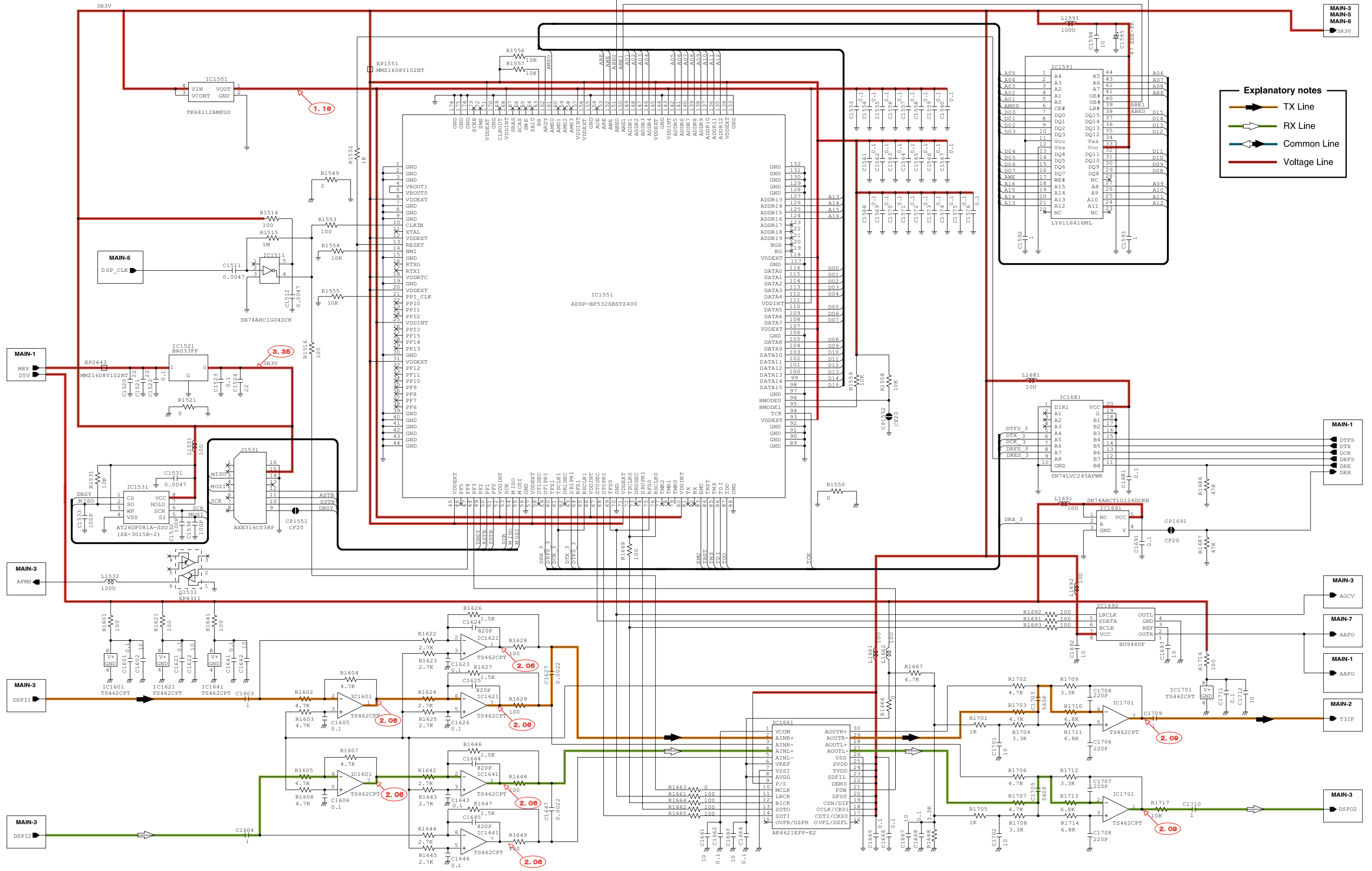


Explanatory notes

- TX Line
- RX Line
- Common Line
- Voltage Line

*; Refer to "PARTS LIST."

• MAIN UNIT (MAIN-4)

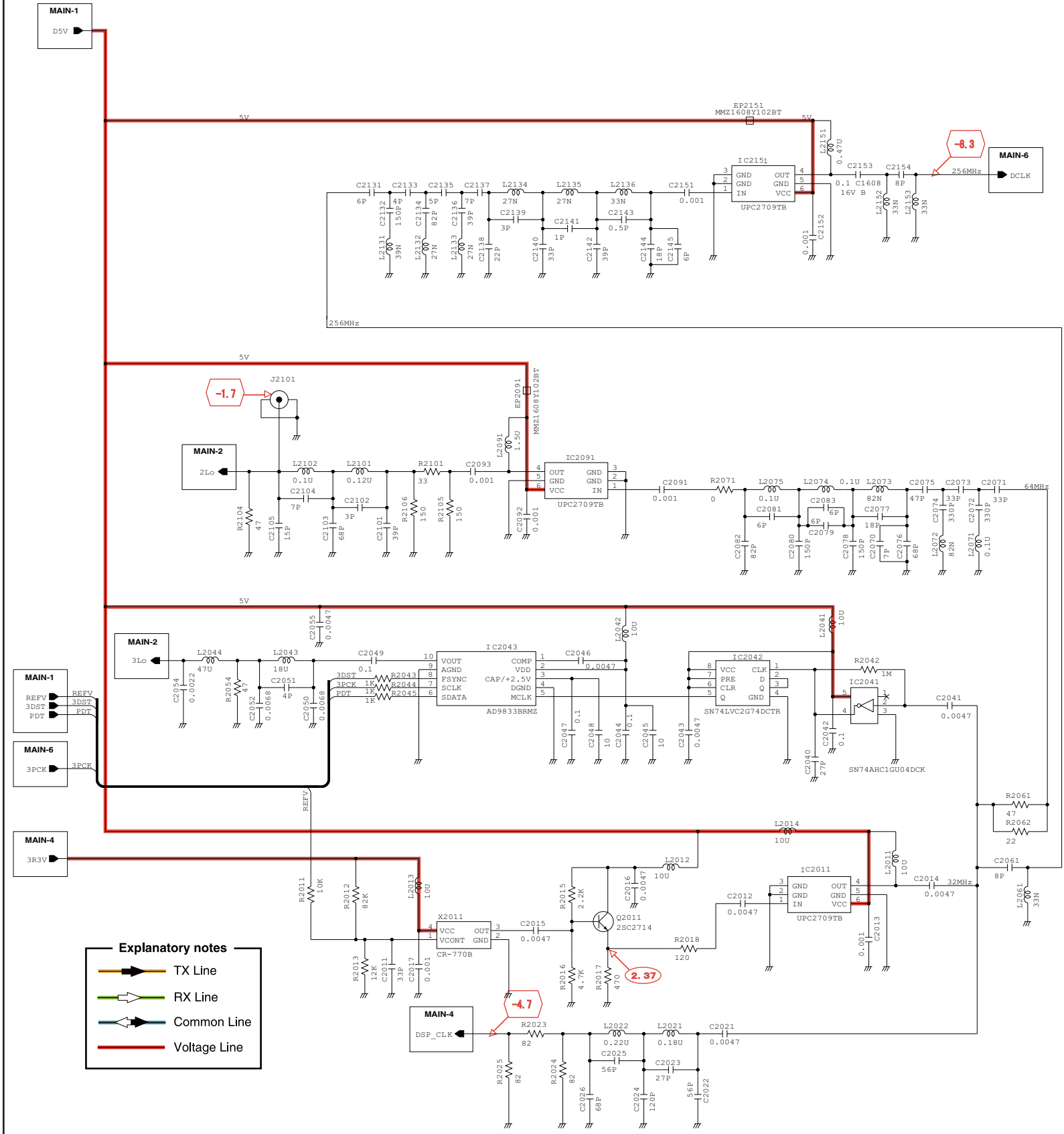


Explanatory notes

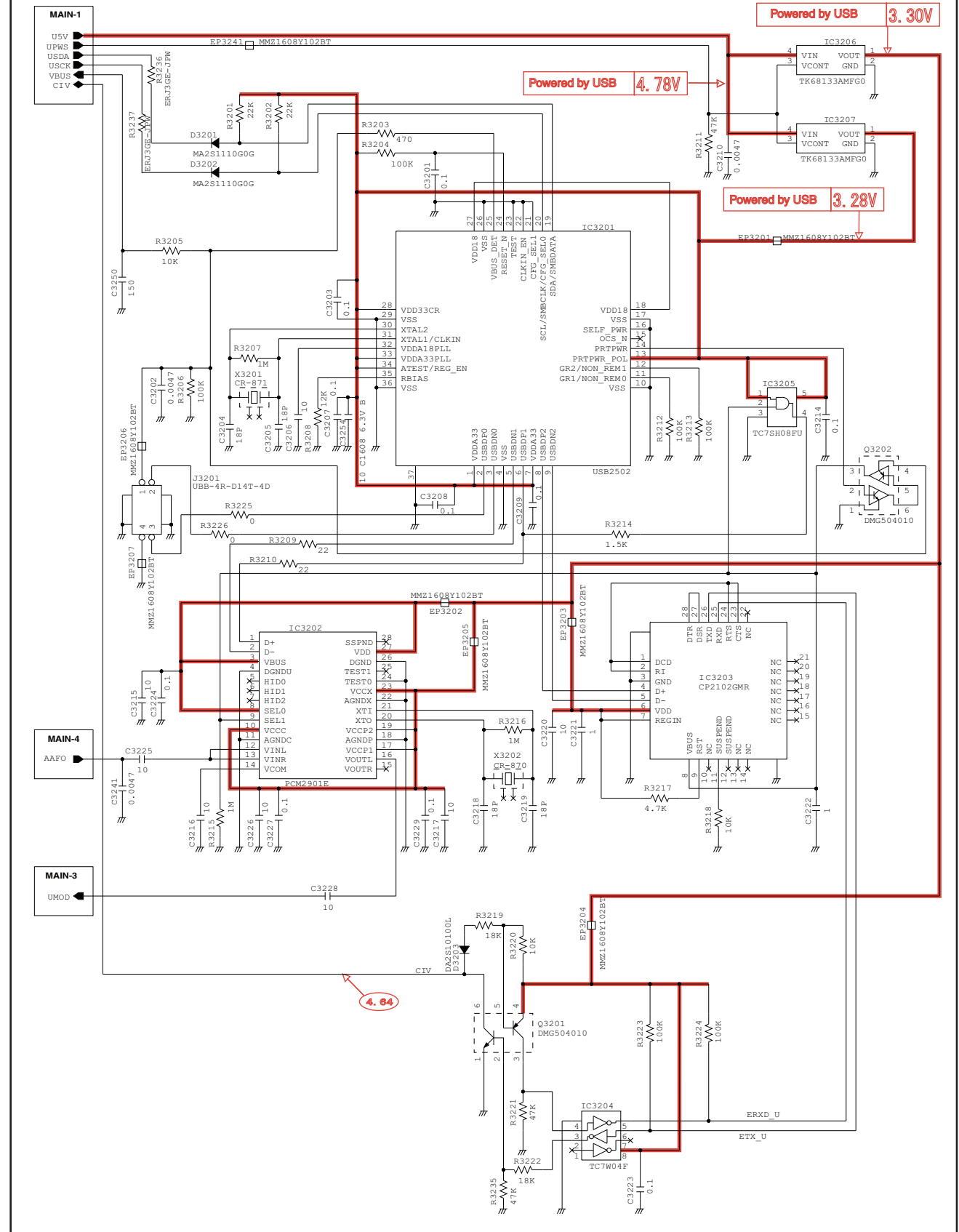
- TX Line
- RX Line
- Common Line
- Voltage Line

*; Refer to "PARTS LIST"

• MAIN UNIT (MAIN-5)

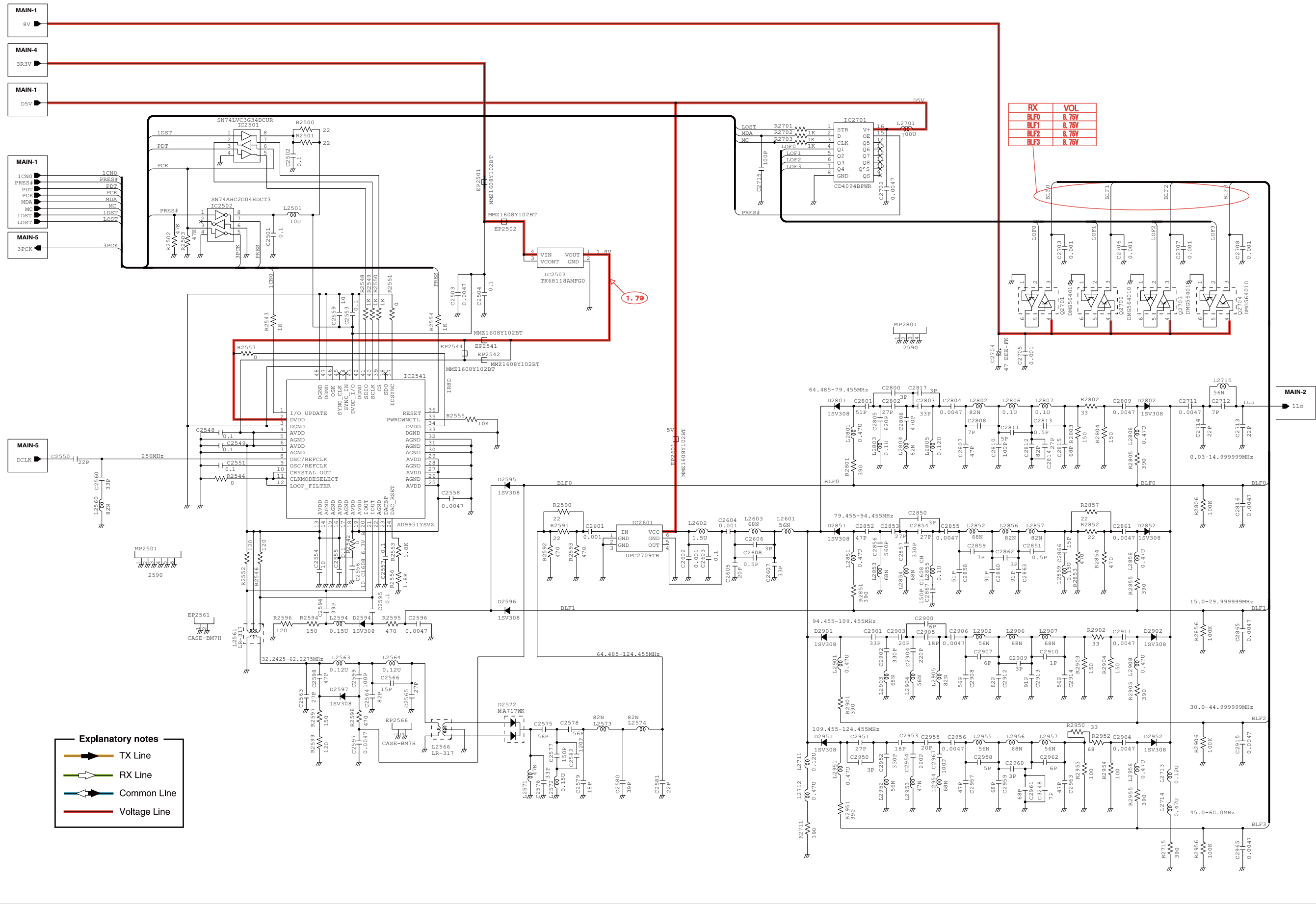


• MAIN UNIT (MAIN-6)



*; Refer to "PARTS LIST."

• MAIN UNIT (MAIN-7)

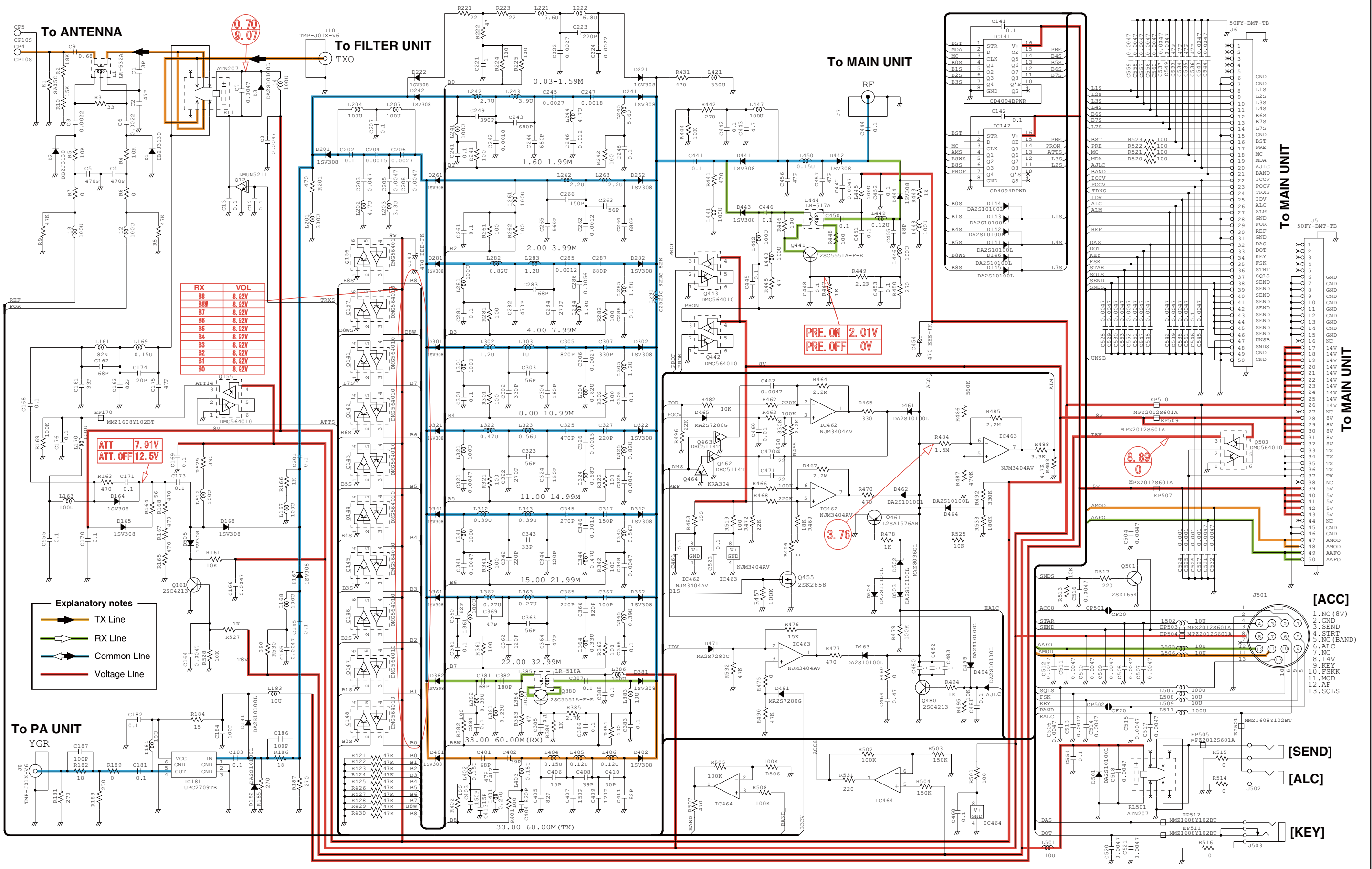


Explanatory notes

- TX Line
- RX Line
- Common Line
- Voltage Line

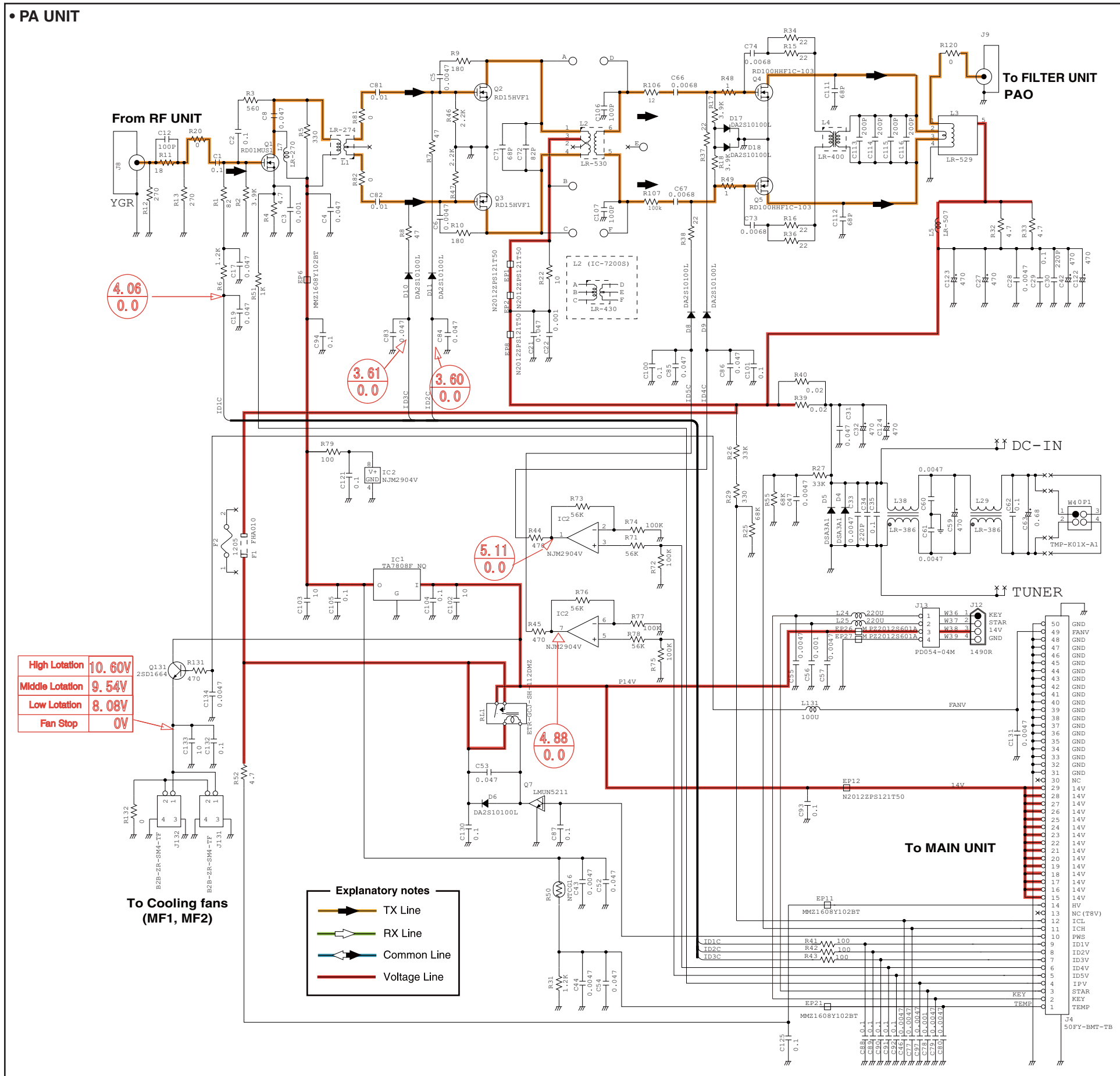
*; Refer to "PARTS LIST"

• RF UNIT



*; Refer to "PARTS LIST."

• PA UNIT



*; Refer to "PARTS LIST."

Jul. 2011



SERVICE MANUAL ADDENDUM

IC-7200

CONTENTS

| | |
|-----------------------|----|
| PARTS LIST | 1 |
| BOARD LAYOUTS | 19 |
| VOLTAGE DIAGRAM | 21 |

PARTS LIST

[MAIN UNIT]

| REF NO. | PARTS NO. | DESCRIPTION | M. | H/V LOCATION |
|---------|------------|----------------------------------|----|--------------|
| IC1 | 1110004310 | S.IC M62352GP 75EC | T | 17.3/40.6 |
| IC2 | 1110004310 | S.IC M62352GP 75EC | T | 6.5/23.0 |
| IC4 | 1110003800 | S.IC NJM2904V-TE1-#FMZB | T | 192.1/31.1 |
| IC521 | 1110005461 | S.IC TA4107F(TE12LF) | T | 144.9/38.6 |
| IC591 | 1130008511 | S.IC TC7W53FU(TE12LF) | T | 78.2/42.0 |
| IC671 | 1130014270 | S.IC TS5A2053DCTR | T | 70.9/36.0 |
| IC672 | 1130014260 | S.IC SN74LVC2GU04DCKR | T | 73.9/29.3 |
| IC1021 | 1130008511 | S.IC TC7W53FU(TE12LF) | T | 58.1/47.1 |
| IC1031 | 1110006570 | S.IC TS462CPT | T | 55.3/38.7 |
| IC1032 | 1130008511 | S.IC TC7W53FU(TE12LF) | T | 103.1/16.4 |
| IC1051 | 1110006570 | S.IC TS462CPT | T | 18.2/79.5 |
| IC1081 | 1130008511 | S.IC TC7W53FU(TE12LF) | T | 162.5/95.7 |
| IC1082 | 1130008511 | S.IC TC7W53FU(TE12LF) | T | 5.7/77.5 |
| IC1091 | 1110003091 | IC LA4425A-E | | |
| IC1501 | 1180003230 | S.REG TK68112AMFG0L | T | 31.0/73.0 |
| IC1511 | 1130012600 | S.IC SN74AHC1G04DCKR | T | 61.6/35.5 |
| IC1521 | 1180002020 | S.REG BA033FP-E2 | T | 27.0/84.7 |
| IC1531 | 1130014952 | S.IC AT26DF081A-SSU (SX-3015B-2) | T | 46.6/38.3 |
| IC1551 | 1140013590 | S.IC ADSP-BF532SBSTZ400 <FE> | T | 50.3/18.6 |
| IC1591 | 1130013560 | S.IC LY6L16416ML-15 | T | 78.5/17.1 |
| IC1601 | 1110006570 | S.IC TS462CPT | T | 44.5/46.9 |
| IC1621 | 1110006570 | S.IC TS462CPT | T | 38.9/55.7 |
| IC1641 | 1110006570 | S.IC TS462CPT | T | 50.1/55.7 |
| IC1661 | 1190002650 | S.IC AK4620BVPF-E2/P | T | 22.9/57.7 |
| IC1681 | 1130011820 | S.IC SN74LVC245APWR | T | 9.0/56.4 |
| IC1691 | 1130013590 | S.IC SN74AHC1G126DCKR | T | 32.2/25.5 |
| IC1692 | 1110004770 | S.IC BU9480F-E2 | T | 14.8/88.9 |
| IC1701 | 1110006570 | S.IC TS462CPT | T | 10.6/70.9 |
| IC2011 | 1110006870 | S.IC UPC2709TB-E3 | T | 71.8/80.1 |
| IC2041 | 1130012610 | S.IC SN74AHC1GU04DCKR | T | 72.9/69.7 |
| IC2042 | 1130013440 | S.IC SN74LVC2G74DCTR | T | 69.3/67.7 |
| IC2043 | 1190001811 | S.IC AD9833BRMZ-REEL7 <FE> | T | 74.4/58.7 |
| IC2091 | 1110006870 | S.IC UPC2709TB-E3 | T | 80.3/66.2 |
| IC2151 | 1110006870 | S.IC UPC2709TB-E3 | T | 41.5/77.1 |
| IC2501 | 1130012850 | S.IC SN74LVC3G34DCUR | T | 52.0/78.3 |
| IC2502 | 1130012781 | S.IC SN74AHC2G04HDCT3 | T | 51.4/82.8 |
| IC2503 | 1180003220 | S.REG TK68118AMFG0L | T | 37.1/82.0 |
| IC2541 | 1190002101 | S.IC AD9951YSVZ <FE> | T | 44.2/92.7 |
| IC2601 | 1110006870 | S.IC UPC2709TB-E3 | T | 97.1/93.6 |
| IC2701 | 1130011760 | S.IC CD4094BPWR | T | 103.2/80.5 |
| IC3201 | 1190002261 | S.IC USB2502-AEZG | T | 179.0/59.5 |
| IC3202 | 1190002240 | S.IC PCM2901E/2K | T | 177.3/39.9 |
| IC3203 | 1190002730 | S.IC CP2102-GMR <MAC> | T | 178.1/69.9 |
| IC3204 | 1130005721 | S.IC TC7W04F(TE12LF) | T | 171.1/70.6 |
| IC3205 | 1130010461 | S.IC TC7SH08FU(TE85LJF) | T | 169.0/61.9 |
| IC3206 | 1180003240 | S.REG TK68133AMFG0L | T | 193.6/59.0 |
| IC3207 | 1180003240 | S.REG TK68133AMFG0L | T | 188.0/59.0 |
| IC3242 | 1180003330 | REG TA7808F(Q) | | |
| Q1 | 1590001960 | S.TRA XP4311(TX) | T | 122.8/18.8 |
| Q2 | 1590001960 | S.TRA XP4311(TX) | T | 117.3/19.0 |
| Q501 | 1530002680 | S.TRA 2SC3357-T1 | T | 157.1/76.8 |
| Q502 | 1560000641 | S.FET 2SK1740-4/5-TB-E | T | 157.9/38.9 |
| Q503 | 1560000641 | S.FET 2SK1740-4/5-TB-E | T | 157.9/41.9 |
| Q504 | 1560000641 | S.FET 2SK1740-4/5-TB-E | T | 153.8/41.9 |
| Q505 | 1560000641 | S.FET 2SK1740-4/5-TB-E | T | 153.8/38.9 |
| Q506 | 1590001960 | S.TRA XP4311(TX) | T | 162.5/51.2 |
| Q521 | 1580000820 | S.FET 3SK264-5-TG-E | T | 142.3/50.9 |
| Q531 | 1530002371 | S.TRA 2SC2714-O(TE85RF) | T | 146.4/29.1 |
| Q551 | 1580000820 | S.FET 3SK264-5-TG-E | T | 134.3/49.7 |
| Q581 | 1580000820 | S.FET 3SK264-5-TG-E | T | 115.6/25.3 |
| Q611 | 1580000820 | S.FET 3SK264-5-TG-E | T | 89.7/32.0 |
| Q651 | 1530002060 | S.TRA 2SC4081 T106 R | T | 85.9/44.2 |
| Q652 | 1580000820 | S.FET 3SK264-5-TG-E | T | 92.4/50.3 |
| Q653 | 1580000820 | S.FET 3SK264-5-TG-E | T | 98.3/42.6 |
| Q654 | 1530002060 | S.TRA 2SC4081 T106 R | T | 87.6/56.2 |
| Q1531 | 1590001960 | S.TRA XP4311(TX) | T | 26.9/71.1 |
| Q2011 | 1530002371 | S.TRA 2SC2714-O(TE85RF) | T | 65.8/80.5 |
| Q2701 | 1590001960 | S.TRA XP4311(TX) | T | 145.4/92.5 |
| Q2702 | 1590001960 | S.TRA XP4311(TX) | T | 145.4/88.9 |
| Q2703 | 1590001960 | S.TRA XP4311(TX) | T | 145.4/79.0 |
| Q2704 | 1590001960 | S.TRA XP4311(TX) | T | 145.4/75.3 |
| Q3201 | 1590001650 | S.TRA XP4601(TX) | T | 164.5/70.9 |
| Q3202 | 1590001960 | S.TRA XP4311(TX) | T | 177.2/64.3 |
| D1 | 1790001251 | S.DIO MA2S1110GL | T | 192.3/35.2 |
| D31 | 1790001251 | S.DIO MA2S1110GL | T | 22.3/4.9 |
| D41 | 1790001251 | S.DIO MA2S1110GL | T | 18.6/1.6 |
| D501 | 1790001261 | S.DIO MA2S077G0L | T | 166.5/47.1 |
| D521 | 1790001261 | S.DIO MA2S077G0L | T | 155.7/60.1 |
| D522 | 1790001261 | S.DIO MA2S077G0L | T | 153.0/59.5 |
| D523 | 1790001261 | S.DIO MA2S077G0L | T | 148.1/25.9 |
| D524 | 1790001261 | S.DIO MA2S077G0L | T | 144.8/25.9 |
| D525 | 1790001261 | S.DIO MA2S077G0L | T | 148.3/44.7 |
| D551 | 1790001261 | S.DIO MA2S077G0L | T | 124.3/62.2 |
| D552 | 1790001261 | S.DIO MA2S077G0L | T | 123.3/59.7 |
| D553 | 1790001261 | S.DIO MA2S077G0L | T | 125.2/59.8 |
| D554 | 1790001261 | S.DIO MA2S077G0L | T | 124.4/44.2 |
| D571 | 1750000431 | S.DIO HSB88WSTR-E | T | 113.4/53.3 |

[MAIN UNIT]

| REF NO. | PARTS NO. | DESCRIPTION | M. | H/V LOCATION |
|---------|-------------|-------------------------------------|----|--------------|
| D581 | 1790001261 | S.DIO MA2S077G0L | T | 118.5/39.8 |
| D582 | 1790001261 | S.DIO MA2S077G0L | T | 118.5/41.5 |
| D583 | 1790001261 | S.DIO MA2S077G0L | T | 112.3/30.6 |
| D584 | 1790001261 | S.DIO MA2S077G0L | T | 109.8/31.1 |
| D611 | 1790001261 | S.DIO MA2S077G0L | T | 93.4/35.7 |
| D621 | 1790001261 | S.DIO MA2S077G0L | T | 82.0/36.3 |
| D641 | 1790001261 | S.DIO MA2S077G0L | T | 96.0/38.0 |
| D671 | 1790001261 | S.DIO MA2S077G0L | T | 81.4/39.7 |
| D1082 | 1790001241 | S.DIO MA2S7280GL | T | 160.2/94.6 |
| D1084 | 1790001241 | S.DIO MA2S7280GL | T | 159.0/94.6 |
| D2572 | 1750000620 | S.DIO MA717WK(TX) | T | 80.0/92.7 |
| D2594 | 1790001621 | S.DIO 1SV308(TPL3F) | T | 54.0/94.5 |
| D2595 | 1790001621 | S.DIO 1SV308(TPL3F) | T | 71.2/98.6 |
| D2596 | 1790001621 | S.DIO 1SV308(TPL3F) | T | 71.2/97.4 |
| D2597 | 1790001621 | S.DIO 1SV308(TPL3F) | T | 67.9/93.2 |
| D2801 | 1790001621 | S.DIO 1SV308(TPL3F) | T | 115.6/98.6 |
| D2802 | 1790001621 | S.DIO 1SV308(TPL3F) | T | 141.1/97.2 |
| D2851 | 1790001621 | S.DIO 1SV308(TPL3F) | T | 115.8/92.8 |
| D2852 | 1790001621 | S.DIO 1SV308(TPL3F) | T | 141.1/90.4 |
| D2901 | 1790001621 | S.DIO 1SV308(TPL3F) | T | 115.8/86.0 |
| D2902 | 1790001621 | S.DIO 1SV308(TPL3F) | T | 141.1/83.6 |
| D2951 | 1790001621 | S.DIO 1SV308(TPL3F) | T | 115.8/79.2 |
| D2952 | 1790001621 | S.DIO 1SV308(TPL3F) | T | 141.2/76.8 |
| D2955 | 1720000811 | S.VAR HVC358BTRF-E | T | 133.0/54.5 |
| D2956 | 1720000811 | S.VAR HVC358BTRF-E | T | 135.2/43.5 |
| D3201 | 1790001241 | S.DIO MA2S7280GL | T | 174.8/62.6 |
| D3202 | 1790001241 | S.DIO MA2S7280GL | T | 173.6/62.3 |
| D3203 | 1790001251 | S.DIO MA2S1110GL | T | 164.4/74.3 |
| FI541 | 2010002720 | S.XTA DSF753SBF 64.455 MHz (FL-421) | T | 140.0/65.0 |
| FI601 | 20200001330 | CER CFWLA455KHFA-B0 (CFWS455HT) | | |
| X2011 | 6050012560 | S.XTA CR-770B DSA321SD 32 MHz | T | 62.8/79.6 |
| X3201 | 6050012780 | S.XTA CR-871 DSX321G 24 MHz<KDS> | T | 178.6/52.1 |
| X3202 | 6050012770 | S.XTA CR-870 DSX321G 12 MHz<KDS> | T | 177.2/32.3 |
| L1 | 6200007790 | S.COI LQW2BHN15J03L | T | 141.6/22.7 |
| L2 | 6200002431 | S.COI NLV25T-082J | T | 144.5/23.2 |
| L63 | 6200002041 | S.COI NLV25T-101J | T | 161.3/21.6 |
| L501 | 6200003281 | S.COI NLV25T-2R2J | T | 161.5/77.4 |
| L503 | 6140002810 | S.COI LR-317 | T | 165.1/41.4 |
| L504 | 6140004680 | S.COI LR-528 4KBL | T | 155.0/29.8 |
| L505 | 6140004680 | S.COI LR-528 4KBL | T | 156.1/49.1 |
| L506 | 6200003261 | S.COI NLV32T-101J | T | 162.6/48.3 |
| L507 | 6200013240 | S.COI C2012C-R68J-A | T | 159.8/44.5 |
| L508 | 6200013240 | S.COI C2012C-R68J-A | T | 153.9/44.5 |
| L509 | 6200007760 | S.COI LQW2BHN82NJ03L | T | 154.7/55.0 |
| L510 | 6200007800 | S.COI LQW2BHN18J03L | T | 157.5/55.8 |
| L511 | 6200002041 | S.COI NLV25T-101J | T | 161.8/59.1 |
| L517 | 6200002631 | S.COI NLV25T-R10J | T | 160.3/72.0 |
| L521 | 6200009861 | S.COI NLV25T-1R5J | T | 141.7/45.4 |
| L522 | 6200003261 | S.COI NLV32T-101J | T | 140.1/28.9 |
| L523 | 6200003261 | S.COI NLV32T-101J | T | 149.6/52.5 |
| L524 | 6200005011 | S.COI NLV25T-100J | T | 141.3/57.6 |
| L525 | 6200002041 | S.COI NLV25T-101J | T | 141.6/34.2 |
| L526 | 6200003261 | S.COI NLV32T-101J | T | 163.1/56.3 |
| L527 | 6200002181 | S.COI NLV25T-R12J | T | 156.2/63.9 |
| L528 | 6200002041 | S.COI NLV25T-101J | T | 141.6/37.0 |
| L529 | 6200002041 | S.COI NLV25T-101J | T | 139.0/41.1 |
| L530 | 6200003261 | S.COI NLV32T-101J | T | 151.3/21.6 |
| L534 | 6200003261 | S.COI NLV32T-101J | T | 148.9/32.8 |
| L541 | 6140004710 | S.COI LR-531 4KBL-S070834 | T | 149.9/64.4 |
| L542 | 6140004710 | S.COI LR-531 4KBL-S070834 | T | 130.2/63.8 |
| L549 | 6200002631 | S.COI NLV25T-R10J | T | 148.3/40.0 |
| L551 | 6150005440 | COI LS-555 7K7-S080614B | | |
| L552 | 6150005440 | COI LS-555 7K7-S080614B | | |
| L571 | 6140004680 | S.COI LR-528 4KBL | T | 119.1/53.3 |
| L572 | 6140002810 | S.COI LR-317 | T | 106.4/53.3 |
| L581 | 6150005420 | COI LS-554 7QM | | |
| L582 | 6200003520 | S.COI ELJFB 102K-F | T | 109.3/25.5 |
| L583 | 6150005410 | COI LS-553 7QM | | |
| L585 | 6200003520 | S.COI ELJFB 102K-F | T | 91.4/42.9 |
| L586 | 6200003261 | S.COI NLV32T-101J | T | 69.0/42.5 |
| L600 | 6200003520 | S.COI ELJFB 102K-F | T | 72.2/45.9 |
| L603 | 6200002601 | S.COI NLV25T-047J | T | 167.1/54.4 |
| L604 | 6200002421 | S.COI NLV25T-068J | T | 166.5/50.6 |
| L615 | 6200003520 | S.COI ELJFB 102K-F | T | 93.1/28.5 |
| L651 | 6200003520 | S.COI ELJFB 102K-F | T | 97.0/48.8 |
| L652 | 6200003520 | S.COI ELJFB 102K-F | T | 85.3/49.6 |
| L671 | 6200003261 | S.COI NLV32T-101J | T | 69.9/30.0 |
| L672 | 6200005521 | S.COI NLV25T-40J | T | 79.1/30.9 |
| L673 | 6140004680 | S.COI LR-528 4KBL | T | 77.5/36.2 |
| L1021 | 6200003261 | S.COI NLV32T-101J | T | 58.0/52.8 |
| L1031 | 6200003261 | S.COI NLV32T-101J | T | 110.2/19.7 |
| L1081 | 6200002041 | S.COI NLV25T-101J | T | 166.4/91.5 |
| L1082 | 6200002041 | S.COI NLV25T-101J | T | 3.2/81.3 |
| L1091 | 6140002220 | COI LR-270 (TR6X3X2 3A9) | | |

M.=Mounted side (T: Mounted on the Top side, B: Mounted on the Bottom side)
S.=Surface mount

[MAIN UNIT]

| REF NO. | PARTS NO. | DESCRIPTION | M. | H/V LOCATION |
|---------|------------|-----------------------|----|--------------|
| L1531 | 6200005011 | S.COI NLV25T-100J | T | 40.3/43.7 |
| L1532 | 6200002041 | S.COI NLV25T-101J | T | 23.8/71.4 |
| L1591 | 6200003261 | S.COI NLV32T-101J | T | 69.3/8.2 |
| L1661 | 6200005011 | S.COI NLV25T-100J | T | 17.4/60.2 |
| L1662 | 6200005011 | S.COI NLV25T-100J | T | 18.8/51.3 |
| L1681 | 6200005011 | S.COI NLV25T-100J | T | 12.0/51.6 |
| L1691 | 6200005011 | S.COI NLV25T-100J | T | 32.0/23.0 |
| L1692 | 6200005011 | S.COI NLV25T-100J | T | 22.3/89.7 |
| L2011 | 6200005011 | S.COI NLV25T-100J | T | 71.8/77.3 |
| L2012 | 6200005011 | S.COI NLV25T-100J | T | 67.3/83.6 |
| L2013 | 6200005011 | S.COI NLV25T-100J | T | 60.1/83.0 |
| L2014 | 6200005011 | S.COI NLV25T-100J | T | 69.6/74.7 |
| L2021 | 6200007800 | S.COI LQW2BHN1R18J03L | T | 63.7/58.9 |
| L2022 | 6200002841 | S.COI NLV25T-R22J | T | 60.9/58.1 |
| L2041 | 6200005011 | S.COI NLV25T-100J | T | 73.9/64.7 |
| L2042 | 6200005011 | S.COI NLV25T-100J | T | 68.4/53.2 |
| L2043 | 6200005031 | S.COI NLV25T-180J | T | 68.6/60.3 |
| L2044 | 6200005521 | S.COI NLV25T-470J | T | 66.7/57.5 |
| L2061 | 6200002581 | S.COI NLV25T-033J | T | 62.5/67.1 |
| L2071 | 6200002631 | S.COI NLV25T-R10J | T | 80.9/78.2 |
| L2072 | 6200002431 | S.COI NLV25T-082J | T | 83.8/77.9 |
| L2073 | 6200002431 | S.COI NLV25T-082J | T | 87.3/79.4 |
| L2074 | 6200002631 | S.COI NLV25T-R10J | T | 88.1/72.9 |
| L2075 | 6200002631 | S.COI NLV25T-R10J | T | 87.0/70.0 |
| L2091 | 6200009861 | S.COI NLV25T-1R5J | T | 77.5/65.7 |
| L2101 | 6200002181 | S.COI NLV25T-R12J | T | 94.3/64.0 |
| L2102 | 6200002631 | S.COI NLV25T-R10J | T | 97.1/63.2 |
| L2131 | 6200002591 | S.COI NLV25T-039J | T | 51.4/67.7 |
| L2132 | 6200003891 | S.COI NLV25T-027J | T | 48.6/67.3 |
| L2133 | 6200003891 | S.COI NLV25T-027J | T | 45.8/67.7 |
| L2134 | 6200003891 | S.COI NLV25T-027J | T | 41.0/67.7 |
| L2135 | 6200003891 | S.COI NLV25T-027J | T | 38.2/68.1 |
| L2136 | 6200002581 | S.COI NLV25T-033J | T | 37.6/72.5 |
| L2151 | 6200002611 | S.COI NLV25T-R47J | T | 41.5/79.7 |
| L2152 | 6200002581 | S.COI NLV25T-033J | T | 45.2/80.5 |
| L2153 | 6200002581 | S.COI NLV25T-033J | T | 46.6/83.8 |
| L2501 | 6200005011 | S.COI NLV25T-100J | T | 55.4/85.0 |
| L2560 | 6200002431 | S.COI NLV25T-082J | T | 40.6/83.6 |
| L2561 | 6140002810 | S.COI LR-317 | T | 60.0/91.9 |
| L2563 | 6200002181 | S.COI NLV25T-R12J | T | 65.3/93.4 |
| L2564 | 6200002181 | S.COI NLV25T-R12J | T | 65.7/98.7 |
| L2566 | 6140002810 | S.COI LR-317 | T | 74.2/92.6 |
| L2571 | 6200002601 | S.COI NLV25T-047J | T | 83.3/91.0 |
| L2572 | 6200007790 | S.COI LQW2BHN1R15J03L | T | 82.7/93.9 |
| L2573 | 6200002431 | S.COI NLV25T-082J | T | 84.8/97.0 |
| L2574 | 6200002431 | S.COI NLV25T-082J | T | 87.6/95.9 |
| L2594 | 6200007790 | S.COI LQW2BHN1R15J03L | T | 53.6/91.5 |
| L2601 | 6200002411 | S.COI NLV25T-056J | T | 105.7/94.5 |
| L2602 | 6200009861 | S.COI NLV25T-1R5J | T | 99.9/93.3 |
| L2603 | 6200002421 | S.COI NLV25T-068J | T | 102.7/94.0 |
| L2606 | 6200002041 | S.COI NLV25T-101J | T | 136.8/5.1 |
| L2701 | 6200002041 | S.COI NLV25T-101J | T | 104.9/86.2 |
| L2711 | 6200002181 | S.COI NLV25T-R12J | T | 108.5/93.7 |
| L2712 | 6200002611 | S.COI NLV25T-R47J | T | 107.4/90.8 |
| L2713 | 6200002181 | S.COI NLV25T-R12J | T | 142.7/99.1 |
| L2714 | 6200002611 | S.COI NLV25T-R47J | T | 145.6/98.6 |
| L2715 | 6200002411 | S.COI NLV25T-056J | T | 152.4/80.8 |
| L2801 | 6200002611 | S.COI NLV25T-R47J | T | 114.7/96.4 |
| L2802 | 6200002431 | S.COI NLV25T-082J | T | 126.7/96.5 |
| L2803 | 6200002631 | S.COI NLV25T-R10J | T | 118.0/96.1 |
| L2804 | 6200002431 | S.COI NLV25T-082J | T | 121.1/95.3 |
| L2805 | 6200002181 | S.COI NLV25T-R12J | T | 123.9/96.2 |
| L2806 | 6200002631 | S.COI NLV25T-R10J | T | 129.5/97.3 |
| L2807 | 6200002631 | S.COI NLV25T-R10J | T | 133.0/99.1 |
| L2808 | 6200002611 | S.COI NLV25T-R47J | T | 139.3/94.9 |
| L2851 | 6200002611 | S.COI NLV25T-R47J | T | 115.8/90.8 |
| L2852 | 6200002421 | S.COI NLV25T-068J | T | 127.4/89.7 |
| L2853 | 6200002421 | S.COI NLV25T-068J | T | 118.6/89.4 |
| L2854 | 6200002421 | S.COI NLV25T-068J | T | 121.3/88.5 |
| L2855 | 6200002631 | S.COI NLV25T-R10J | T | 124.7/90.8 |
| L2856 | 6200002431 | S.COI NLV25T-082J | T | 130.2/91.3 |
| L2857 | 6200002431 | S.COI NLV25T-082J | T | 132.9/92.3 |
| L2858 | 6200002611 | S.COI NLV25T-R47J | T | 139.3/88.1 |
| L2859 | 6200007790 | S.COI LQW2BHN1R15J03L | T | 136.7/86.4 |
| L2901 | 6200002611 | S.COI NLV25T-R47J | T | 115.8/84.1 |
| L2902 | 6200002411 | S.COI NLV25T-056J | T | 127.4/82.9 |
| L2903 | 6200002421 | S.COI NLV25T-068J | T | 118.7/82.5 |
| L2904 | 6200002411 | S.COI NLV25T-056J | T | 121.8/81.7 |
| L2905 | 6200002431 | S.COI NLV25T-082J | T | 124.6/83.7 |
| L2906 | 6200002421 | S.COI NLV25T-068J | T | 130.2/84.5 |
| L2907 | 6200002421 | S.COI NLV25T-068J | T | 133.0/85.5 |
| L2908 | 6200002611 | S.COI NLV25T-R47J | T | 139.3/81.3 |
| L2951 | 6200002611 | S.COI NLV25T-R47J | T | 115.8/77.3 |
| L2952 | 6200002411 | S.COI NLV25T-056J | T | 118.7/74.6 |
| L2953 | 6200002601 | S.COI NLV25T-047J | T | 121.8/76.1 |
| L2954 | 6200002421 | S.COI NLV25T-068J | T | 124.6/75.8 |
| L2955 | 6200002411 | S.COI NLV25T-056J | T | 127.4/76.1 |
| L2956 | 6200002421 | S.COI NLV25T-068J | T | 130.2/77.7 |
| L2957 | 6200002411 | S.COI NLV25T-056J | T | 133.0/78.7 |
| L2958 | 6200002611 | S.COI NLV25T-R47J | T | 139.3/74.5 |
| L2962 | 6200002041 | S.COI NLV25T-101J | T | 185.7/12.7 |
| L2963 | 6200002041 | S.COI NLV25T-101J | T | 189.1/12.7 |
| L2964 | 6200002041 | S.COI NLV25T-101J | T | 143.5/4.7 |
| L2965 | 6200002041 | S.COI NLV25T-101J | T | 146.2/4.1 |
| L2966 | 6200002041 | S.COI NLV25T-101J | T | 177.6/4.9 |
| L2967 | 6200002041 | S.COI NLV25T-101J | T | 178.9/7.4 |
| L2968 | 6200002041 | S.COI NLV25T-101J | T | 172.3/2.0 |
| L2969 | 6200002041 | S.COI NLV25T-101J | T | 172.7/4.5 |

[MAIN UNIT]

| REF NO. | PARTS NO. | DESCRIPTION | M. | H/V LOCATION |
|---------|------------|-----------------------------|----|--------------|
| L2970 | 6200002041 | S.COI NLV25T-101J | T | 166.3/3.6 |
| L2975 | 6200002041 | S.COI NLV25T-101J | T | 189.1/15.2 |
| L2977 | 6200002041 | S.COI NLV25T-101J | T | 182.7/7.9 |
| L2979 | 6200002041 | S.COI NLV25T-101J | T | 89.6/10.7 |
| L2980 | 6200002041 | S.COI NLV25T-101J | T | 94.9/3.7 |
| L2981 | 6200002041 | S.COI NLV25T-101J | T | 98.3/8.1 |
| L2982 | 6200002041 | S.COI NLV25T-101J | T | 89.6/13.2 |
| L2983 | 6200002041 | S.COI NLV25T-101J | T | 84.7/2.7 |
| L2984 | 6200002041 | S.COI NLV25T-101J | T | 88.1/2.7 |
| L2985 | 6200002041 | S.COI NLV25T-101J | T | 91.5/2.7 |
| L2986 | 6200009861 | S.COI NLV25T-1R5J | T | 117.3/47.4 |
| L2987 | 6200009861 | S.COI NLV25T-1R5J | T | 120.5/45.3 |
| R1 | 7030003320 | S.RES ERJ3GEYJ 101 V (100) | T | 179.3/23.5 |
| R2 | 7030003590 | S.RES ERJ3GEYJ 183 V (18K) | T | 186.4/30.5 |
| R3 | 7030003440 | S.RES ERJ3GEYJ 102 V (1K) | T | 29.5/31.4 |
| R4 | 7030003320 | S.RES ERJ3GEYJ 101 V (100) | T | 17.7/17.2 |
| R5 | 7030003440 | S.RES ERJ3GEYJ 102 V (1K) | T | 29.5/29.0 |
| R6 | 7030003440 | S.RES ERJ3GEYJ 102 V (1K) | T | 29.5/30.2 |
| R7 | 7030003440 | S.RES ERJ3GEYJ 102 V (1K) | T | 20.2/22.7 |
| R8 | 7030003440 | S.RES ERJ3GEYJ 102 V (1K) | T | 28.1/35.8 |
| R9 | 7030003440 | S.RES ERJ3GEYJ 102 V (1K) | T | 28.1/37.1 |
| R10 | 7030003440 | S.RES ERJ3GEYJ 102 V (1K) | T | 28.1/38.3 |
| R11 | 7030003440 | S.RES ERJ3GEYJ 102 V (1K) | T | 19.8/32.8 |
| R12 | 7030003440 | S.RES ERJ3GEYJ 102 V (1K) | T | 20.3/35.2 |
| R13 | 7030003440 | S.RES ERJ3GEYJ 102 V (1K) | T | 17.1/35.8 |
| R14 | 7030003440 | S.RES ERJ3GEYJ 102 V (1K) | T | 28.1/32.6 |
| R15 | 7030003440 | S.RES ERJ3GEYJ 102 V (1K) | T | 28.4/34.0 |
| R16 | 7030003360 | S.RES ERJ3GEYJ 221 V (220) | T | 4.8/32.7 |
| R17 | 7030003800 | S.RES ERJ3GEYJ 105 V (1M) | T | 19.1/5.6 |
| R18 | 7030003360 | S.RES ERJ3GEYJ 221 V (220) | T | 7.4/39.0 |
| R19 | 7030003590 | S.RES ERJ3GEYJ 183 V (18K) | T | 186.9/29.3 |
| R20 | 7030003830 | S.RES ERJ3GEYJ 185 V (1.8M) | T | 188.3/28.1 |
| R21 | 7030003860 | S.RES ERJ3GE JPW V | T | 20.3/6.8 |
| R22 | 7030003860 | S.RES ERJ3GE JPW V | T | 190.9/28.3 |
| R23 | 7030003830 | S.RES ERJ3GEYJ 185 V (1.8M) | T | 186.9/31.7 |
| R24 | 7030003860 | S.RES ERJ3GE JPW V | T | 186.9/34.1 |
| R25 | 7030009591 | S.RES ERA3YED 472V (4.7K) | T | 189.6/34.1 |
| R26 | 7030007230 | S.RES ERA3YED 102V (1K) | T | 189.6/35.3 |
| R27 | 7030009591 | S.RES ERA3YED 472V (4.7K) | T | 189.6/36.6 |
| R28 | 7030003400 | S.RES ERJ3GEYJ 471 V (470) | T | 190.3/24.3 |
| R29 | 7030003680 | S.RES ERJ3GEYJ 104 V (100K) | T | 193.5/28.4 |
| R30 | 7030005691 | S.RES ERA3YED 123V (12K) | T | 192.5/27.1 |
| R31 | 7030003800 | S.RES ERJ3GEYJ 105 V (1M) | T | 19.1/4.4 |
| R32 | 7030003320 | S.RES ERJ3GEYJ 101 V (100) | T | 195.6/33.8 |
| R33 | 7030003660 | S.RES ERJ3GEYJ 683 V (68K) | T | 195.1/27.1 |
| R34 | 7030003660 | S.RES ERJ3GEYJ 683 V (68K) | T | 195.1/25.8 |
| R35 | 7030003440 | S.RES ERJ3GEYJ 102 V (1K) | T | 29.5/27.8 |
| R36 | 7030003500 | S.RES ERJ3GEYJ 321 V (3.3K) | T | 12.3/11.7 |
| R37 | 7030003640 | S.RES ERJ3GEYJ 473 V (47K) | T | 9.4/14.4 |
| R38 | 7030003360 | S.RES ERJ3GEYJ 221 V (220) | T | 6.1/44.5 |
| R39 | 7030003440 | S.RES ERJ3GEYJ 102 V (1K) | T | 8.7/43.3 |
| R40 | 7030003800 | S.RES ERJ3GEYJ 105 V (1M) | T | 16.5/5.6 |
| R41 | 7030003800 | S.RES ERJ3GEYJ 105 V (1M) | T | 16.5/4.4 |
| R42 | 7030003560 | S.RES ERJ3GEYJ 103 V (10K) | T | 24.1/4.3 |
| R500 | 7030004040 | S.RES ERJ3GEYJ 4R7 V (4.7) | T | 154.6/47.0 |
| R501 | 7030003440 | S.RES ERJ3GEYJ 102 V (1K) | T | 164.7/45.3 |
| R502 | 7030003420 | S.RES ERJ3GEYJ 681 V (680) | T | 158.9/80.1 |
| R503 | 7030003420 | S.RES ERJ3GEYJ 681 V (680) | T | 153.1/76.4 |
| R504 | 7030003470 | S.RES ERJ3GEYJ 182 V (1.8K) | T | 156.3/80.1 |
| R505 | 7030003240 | S.RES ERJ3GEYJ 220 V (22) | T | 153.8/72.8 |
| R506 | 7030003860 | S.RES ERJ3GE JPW V | T | 164.9/37.7 |
| R507 | 7030003560 | S.RES ERJ3GEYJ 103 V (10K) | T | 156.8/44.5 |
| R508 | 7030003400 | S.RES ERJ3GEYJ 471 V (470) | T | 160.9/41.4 |
| R509 | 7030003430 | S.RES ERJ3GEYJ 821 V (820) | T | 157.6/34.5 |
| R510 | 7030003430 | S.RES ERJ3GEYJ 821 V (820) | T | 152.4/34.5 |
| R512 | 7030003440 | S.RES ERJ3GEYJ 102 V (1K) | T | 158.3/58.0 |
| R515 | 7030003390 | S.RES ERJ3GEYJ 391 V (390) | T | 150.2/47.1 |
| R516 | 7030003440 | S.RES ERJ3GEYJ 102 V (1K) | T | 148.7/46.2 |
| R520 | 7030003360 | S.RES ERJ3GEYJ 221 V (220) | T | 141.4/38.9 |
| R521 | 7030003860 | S.RES ERJ3GE JPW V | T | 141.4/43.5 |
| R522 | 7030003560 | S.RES ERJ3GEYJ 103 V (10K) | T | 142.1/48.6 |
| R523 | 7030003610 | S.RES ERJ3GEYJ 273 V (27K) | T | 145.2/52.6 |
| R524 | 7030003320 | S.RES ERJ3GEYJ 101 V (100) | T | 144.7/45.4 |
| R525 | 7030003340 | S.RES ERJ3GEYJ 151 V (150) | T | 142.1/55.7 |
| R526 | 7030003500 | S.RES ERJ3GEYJ 332 V (3.3K) | T | 142.1/53.3 |
| R527 | 7030003320 | S.RES ERJ3GEYJ 101 V (100) | T | 148.9/55.1 |
| R528 | 7510001541 | S.THE NTCG16 4BH 332JT | T | 145.2/53.9 |
| R529 | 7030003440 | S.RES ERJ3GEYJ 102 V (1K) | T | 145.2/55.1 |
| R530 | 7030003440 | S.RES ERJ3GEYJ 102 V (1K) | T | 141.9/26.2 |
| R531 | 7030003260 | S.RES ERJ3GEYJ 330 V (33) | T | 145.2/49.0 |
| R532 | 7030003560 | S.RES ERJ3GEYJ 103 V (10K) | T | 145.2/51.4 |
| R533 | 7030003440 | S.RES ERJ3GEYJ 102 V (1K) | T | 168.3/45.6 |
| R534 | 7030003280 | S.RES ERJ3GEYJ 470 V (47) | T | 155.4/61.7 |
| R535 | 7030003400 | S.RES ERJ3GEYJ 471 V (470) | T | 150.5/23.8 |
| R536 | 7030003440 | S.RES ERJ3GEYJ 102 V (1K) | T | 146.9/24.3 |
| R537 | 7030003330 | | | |

[MAIN UNIT]

| REF NO. | PARTS NO. | DESCRIPTION | M. | H/V LOCATION |
|---------|------------|-----------------------------|----|--------------|
| R553 | 7030003480 | S.RES ERJ3GEYJ 222 V (2.2K) | T | 135.6/52.1 |
| R554 | 7030003640 | S.RES ERJ3GEYJ 473 V (47K) | T | 131.3/49.8 |
| R555 | 7030003260 | S.RES ERJ3GEYJ 330 V (33K) | T | 137.3/49.5 |
| R556 | 7030003560 | S.RES ERJ3GEYJ 103 V (10K) | T | 134.6/47.3 |
| R557 | 7030003320 | S.RES ERJ3GEYJ 101 V (100) | T | 127.1/46.8 |
| R558 | 7030003440 | S.RES ERJ3GEYJ 102 V (1K) | T | 124.8/40.2 |
| R559 | 7030003860 | S.RES ERJ3GE JPW V | T | 133.0/52.1 |
| R560 | 7030003440 | S.RES ERJ3GEYJ 102 V (1K) | T | 121.4/60.7 |
| R574 | 7030003440 | S.RES ERJ3GEYJ 102 V (1K) | T | 117.7/43.1 |
| R575 | 7030003440 | S.RES ERJ3GEYJ 102 V (1K) | T | 118.0/58.4 |
| R581 | 7030003660 | S.RES ERJ3GEYJ 683 V (68K) | T | 112.6/24.2 |
| R582 | 7030003440 | S.RES ERJ3GEYJ 102 V (1K) | T | 124.7/35.6 |
| R583 | 7030003320 | S.RES ERJ3GEYJ 101 V (100) | T | 126.1/34.4 |
| R584 | 7030003480 | S.RES ERJ3GEYJ 222 V (2.2K) | T | 121.2/23.1 |
| R585 | 7030003560 | S.RES ERJ3GEYJ 103 V (10K) | T | 118.6/24.3 |
| R586 | 7030003520 | S.RES ERJ3GEYJ 472 V (4.7K) | T | 112.6/25.4 |
| R587 | 7510001671 | S.THR NTCG16 4BH 103JT | T | 112.6/26.6 |
| R588 | 7030003470 | S.RES ERJ3GEYJ 182 V (1.8K) | T | 111.0/29.0 |
| R589 | 7030003260 | S.RES ERJ3GEYJ 330 V (33K) | T | 115.2/29.0 |
| R590 | 7030003610 | S.RES ERJ3GEYJ 273 V (27K) | T | 114.1/23.0 |
| R591 | 7030003440 | S.RES ERJ3GEYJ 102 V (1K) | T | 113.1/33.5 |
| R592 | 7030003520 | S.RES ERJ3GEYJ 472 V (4.7K) | T | 110.6/34.6 |
| R594 | 7030003520 | S.RES ERJ3GEYJ 472 V (4.7K) | T | 93.9/39.0 |
| R596 | 7030003440 | S.RES ERJ3GEYJ 102 V (1K) | T | 81.7/46.8 |
| R597 | 7510001451 | S.THE NTCG16 4BH 472JT | T | 79.1/46.7 |
| R598 | 7030003400 | S.RES ERJ3GEYJ 471 V (470) | T | 79.1/48.0 |
| R601 | 7030003520 | S.RES ERJ3GEYJ 472 V (4.7K) | T | 107.7/29.0 |
| R602 | 7030003520 | S.RES ERJ3GEYJ 472 V (4.7K) | T | 98.0/37.0 |
| R611 | 7030003520 | S.RES ERJ3GEYJ 472 V (4.7K) | T | 91.8/37.5 |
| R614 | 7030003280 | S.RES ERJ3GEYJ 470 V (47) | T | 89.9/26.2 |
| R617 | 7030003860 | S.RES ERJ3GE JPW V | T | 93.3/34.1 |
| R618 | 7030003560 | S.RES ERJ3GEYJ 103 V (10K) | T | 90.0/29.6 |
| R619 | 7030003260 | S.RES ERJ3GEYJ 330 V (33K) | T | 90.2/35.7 |
| R620 | 7030003600 | S.RES ERJ3GEYJ 223 V (22K) | T | 86.8/33.2 |
| R621 | 7030003640 | S.RES ERJ3GEYJ 473 V (47K) | T | 87.3/35.6 |
| R622 | 7030003860 | S.RES ERJ3GE JPW V | T | 86.8/34.4 |
| R623 | 7030003560 | S.RES ERJ3GEYJ 103 V (10K) | T | 86.3/29.7 |
| R624 | 7030003400 | S.RES ERJ3GEYJ 471 V (470) | T | 86.3/30.9 |
| R652 | 7030003280 | S.RES ERJ3GEYJ 470 V (47) | T | 87.4/42.2 |
| R653 | 7030003400 | S.RES ERJ3GEYJ 471 V (470) | T | 85.9/41.0 |
| R654 | 7030003610 | S.RES ERJ3GEYJ 273 V (27K) | T | 88.3/45.6 |
| R655 | 7030003640 | S.RES ERJ3GEYJ 473 V (47K) | T | 88.3/46.8 |
| R656 | 7030003480 | S.RES ERJ3GEYJ 222 V (2.2K) | T | 94.1/53.1 |
| R657 | 7030003480 | S.RES ERJ3GEYJ 222 V (2.2K) | T | 92.6/55.5 |
| R658 | 7030003480 | S.RES ERJ3GEYJ 222 V (2.2K) | T | 88.3/51.2 |
| R659 | 7030003320 | S.RES ERJ3GEYJ 101 V (100) | T | 88.3/52.4 |
| R660 | 7510001541 | S.THE NTCG16 4BH 332JT | T | 96.7/54.3 |
| R661 | 7030003560 | S.RES ERJ3GEYJ 103 V (10K) | T | 89.0/59.6 |
| R662 | 7030003560 | S.RES ERJ3GEYJ 103 V (10K) | T | 90.0/56.2 |
| R663 | 7510001541 | S.THE NTCG16 4BH 332JT | T | 94.1/54.3 |
| R664 | 7030003280 | S.RES ERJ3GEYJ 470 V (47) | T | 95.0/46.3 |
| R665 | 7030003520 | S.RES ERJ3GEYJ 472 V (4.7K) | T | 99.6/45.1 |
| R666 | 7030003320 | S.RES ERJ3GEYJ 101 V (100) | T | 95.5/42.7 |
| R667 | 7030003520 | S.RES ERJ3GEYJ 472 V (4.7K) | T | 101.3/42.0 |
| R668 | 7030003670 | S.RES ERJ3GEYJ 823 V (82K) | T | 96.6/40.3 |
| R669 | 7030003620 | S.RES ERJ3GEYJ 333 V (33K) | T | 100.5/39.1 |
| R670 | 7510001541 | S.THE NTCG16 4BH 332JT | T | 95.5/43.9 |
| R671 | 7030003260 | S.RES ERJ3GEYJ 330 V (33K) | T | 92.4/48.0 |
| R672 | 7030003400 | S.RES ERJ3GEYJ 471 V (470) | T | 88.9/53.6 |
| R674 | 7030003860 | S.RES ERJ3GE JPW V | T | 84.8/42.2 |
| R675 | 7030003400 | S.RES ERJ3GEYJ 471 V (470) | T | 82.2/42.2 |
| R676 | 7030003520 | S.RES ERJ3GEYJ 472 V (4.7K) | T | 66.9/32.1 |
| R677 | 7030003520 | S.RES ERJ3GEYJ 472 V (4.7K) | T | 66.9/33.3 |
| R678 | 7030003480 | S.RES ERJ3GEYJ 222 V (2.2K) | T | 70.9/39.5 |
| R679 | 7030003480 | S.RES ERJ3GEYJ 222 V (2.2K) | T | 73.5/39.5 |
| R680 | 7030003400 | S.RES ERJ3GEYJ 471 V (470) | T | 82.4/34.5 |
| R681 | 7030003680 | S.RES ERJ3GEYJ 104 V (100K) | T | 74.4/27.4 |
| R682 | 7030003440 | S.RES ERJ3GEYJ 102 V (1K) | T | 74.4/26.2 |
| R684 | 7030003530 | S.RES ERJ3GEYJ 562 V (5.6K) | T | 95.4/51.3 |
| R685 | 7030004040 | S.RES ERJ3GEYJ 473 V (47K) | T | 78.9/26.8 |
| R686 | 7030003440 | S.RES ERJ3GEYJ 102 V (1K) | T | 78.2/28.7 |
| R687 | 7030003440 | S.RES ERJ3GEYJ 102 V (1K) | T | 77.0/27.4 |
| R1021 | 7030003520 | S.RES ERJ3GEYJ 472 V (4.7K) | T | 56.7/50.7 |
| R1022 | 7030003520 | S.RES ERJ3GEYJ 472 V (4.7K) | T | 56.7/49.5 |
| R1023 | 7030003320 | S.RES ERJ3GEYJ 101 V (100) | T | 59.3/50.7 |
| R1024 | 7030003640 | S.RES ERJ3GEYJ 473 V (47K) | T | 54.5/48.5 |
| R1025 | 7030003640 | S.RES ERJ3GEYJ 473 V (47K) | T | 63.6/45.6 |
| R1026 | 7030003640 | S.RES ERJ3GEYJ 473 V (47K) | T | 60.6/39.6 |
| R1031 | 7030003420 | S.RES ERJ3GEYJ 681 V (680) | T | 107.6/17.5 |
| R1032 | 7030003560 | S.RES ERJ3GEYJ 103 V (10K) | T | 110.9/16.4 |
| R1033 | 7030003520 | S.RES ERJ3GEYJ 472 V (4.7K) | T | 50.1/44.2 |
| R1034 | 7030003860 | S.RES ERJ3GE JPW V | T | 52.7/45.4 |
| R1035 | 7030003680 | S.RES ERJ3GEYJ 104 V (100K) | T | 51.9/41.8 |
| R1036 | 7030003320 | S.RES ERJ3GEYJ 101 V (100) | T | 61.7/41.1 |
| R1037 | 7030003680 | S.RES ERJ3GEYJ 104 V (100K) | T | 62.5/38.8 |
| R1038 | 7030003320 | S.RES ERJ3GEYJ 101 V (100) | T | 106.9/19.9 |
| R1039 | 7030003640 | S.RES ERJ3GEYJ 473 V (47K) | T | 100.3/18.4 |
| R1040 | 7030003640 | S.RES ERJ3GEYJ 473 V (47K) | T | 102.9/18.9 |
| R1041 | 7030003460 | S.RES ERJ3GEYJ 152 V (1.5K) | T | 110.9/15.2 |
| R1042 | 7030003560 | S.RES ERJ3GEYJ 103 V (10K) | T | 110.9/14.0 |
| R1043 | 7030003620 | S.RES ERJ3GEYJ 333 V (33K) | T | 50.9/37.0 |
| R1044 | 7030003640 | S.RES ERJ3GEYJ 473 V (47K) | T | 56.1/42.2 |
| R1045 | 7030003530 | S.RES ERJ3GEYJ 562 V (5.6K) | T | 52.8/36.2 |
| R1052 | 7030003560 | S.RES ERJ3GEYJ 103 V (10K) | T | 15.1/78.6 |
| R1053 | 7030003560 | S.RES ERJ3GEYJ 103 V (10K) | T | 18.2/85.2 |
| R1054 | 7030003600 | S.RES ERJ3GEYJ 223 V (22K) | T | 21.2/78.2 |
| R1055 | 7030003320 | S.RES ERJ3GEYJ 101 V (100) | T | 15.1/76.2 |
| R1056 | 7030003860 | S.RES ERJ3GE JPW V | T | 11.0/84.4 |

[MAIN UNIT]

| REF NO. | PARTS NO. | DESCRIPTION | M. | H/V LOCATION |
|---------|------------|-----------------------------|----|--------------|
| R1057 | 7030003600 | S.RES ERJ3GEYJ 223 V (22K) | T | 21.2/79.4 |
| R1058 | 7030003600 | S.RES ERJ3GEYJ 104 V (100K) | T | 21.2/81.8 |
| R1059 | 7030003620 | S.RES ERJ3GEYJ 333 V (33K) | T | 18.2/84.0 |
| R1060 | 7030003440 | S.RES ERJ3GEYJ 102 V (1K) | T | 15.5/84.0 |
| R1061 | 7030003320 | S.RES ERJ3GEYJ 101 V (100) | T | 15.1/82.2 |
| R1063 | 7030003640 | S.RES ERJ3GEYJ 473 V (47K) | T | 18.7/70.4 |
| R1064 | 7030003640 | S.RES ERJ3GEYJ 473 V (47K) | T | 15.1/79.8 |
| R1070 | 7030003520 | S.RES ERJ3GEYJ 472 V (4.7K) | T | 163.1/88.9 |
| R1071 | 7030003520 | S.RES ERJ3GEYJ 472 V (4.7K) | T | 159.6/89.1 |
| R1072 | 7030003560 | S.RES ERJ3GEYJ 103 V (10K) | T | 162.2/91.3 |
| R1073 | 7030003560 | S.RES ERJ3GEYJ 103 V (10K) | T | 159.6/91.5 |
| R1074 | 7030003560 | S.RES ERJ3GEYJ 103 V (10K) | T | 164.3/98.9 |
| R1075 | 7030003520 | S.RES ERJ3GEYJ 472 V (4.7K) | T | 9.5/80.8 |
| R1076 | 7030003520 | S.RES ERJ3GEYJ 472 V (4.7K) | T | 9.5/83.2 |
| R1077 | 7030003560 | S.RES ERJ3GEYJ 103 V (10K) | T | 5.4/74.3 |
| R1078 | 7030003560 | S.RES ERJ3GEYJ 103 V (10K) | T | 6.8/83.2 |
| R1079 | 7030003560 | S.RES ERJ3GEYJ 103 V (10K) | T | 6.9/81.1 |
| R1080 | 7030003440 | S.RES ERJ3GEYJ 102 V (1K) | T | 158.2/96.5 |
| R1081 | 7030003280 | S.RES ERJ3GEYJ 470 V (47) | T | 159.6/92.7 |
| R1083 | 7030003640 | S.RES ERJ3GEYJ 473 V (47K) | T | 165.8/94.9 |
| R1084 | 7030003800 | S.RES ERJ3GEYJ 105 V (1M) | T | 157.0/95.1 |
| R1086 | 7030003320 | S.RES ERJ3GEYJ 101 V (100) | T | 165.8/93.7 |
| R1087 | 7030003320 | S.RES ERJ3GEYJ 101 V (100) | T | 2.8/79.4 |
| R1088 | 7030003280 | S.RES ERJ3GEYJ 470 V (47) | T | 8.6/75.8 |
| R1089 | 7030003640 | S.RES ERJ3GEYJ 473 V (47K) | T | 8.6/79.4 |
| R1090 | 7030003440 | S.RES ERJ3GEYJ 102 V (1K) | T | 8.6/78.2 |
| R1091 | 7030003860 | S.RES ERJ3GE JPW V | T | 173.8/84.5 |
| R1092 | 7030003560 | S.RES ERJ3GEYJ 103 V (10K) | T | 164.3/100.1 |
| R1093 | 7030003440 | S.RES ERJ3GEYJ 102 V (1K) | T | 168.4/97.6 |
| R1094 | 7030003400 | S.RES ERJ3GEYJ 471 V (470) | T | 183.2/84.0 |
| R1095 | 7030004040 | S.RES ERJ3GEYJ 473 V (47K) | T | 186.8/86.7 |
| R1096 | 7030010260 | S.RES ERJ1TYJ 3R3 U | T | 176.3/82.0 |
| R1514 | 7030003320 | S.RES ERJ3GEYJ 101 V (100) | T | 63.8/32.1 |
| R1515 | 7030003800 | S.RES ERJ3GEYJ 105 V (1M) | T | 59.6/35.6 |
| R1516 | 7030003320 | S.RES ERJ3GEYJ 101 V (100) | T | 58.4/35.6 |
| R1521 | 7030003860 | S.RES ERJ3GE JPW V | T | 2.8/53.8 |
| R1531 | 7030003560 | S.RES ERJ3GEYJ 103 V (10K) | T | 46.1/41.7 |
| R1532 | 7030003440 | S.RES ERJ3GEYJ 102 V (1K) | T | 33.3/57.9 |
| R1548 | 7030003860 | S.RES ERJ3GE JPW V | T | 29.2/16.1 |
| R1549 | 7030003860 | S.RES ERJ3GE JPW V | T | 66.0/37.8 |
| R1550 | 7030003860 | S.RES ERJ3GE JPW V | T | 55.8/35.5 |
| R1553 | 7030003320 | S.RES ERJ3GEYJ 101 V (100) | T | 57.0/34.0 |
| R1554 | 7030003560 | S.RES ERJ3GEYJ 103 V (10K) | T | 53.4/34.0 |
| R1555 | 7030003560 | S.RES ERJ3GEYJ 103 V (10K) | T | 49.8/34.0 |
| R1556 | 7030003560 | S.RES ERJ3GEYJ 103 V (10K) | T | 66.2/23.4 |
| R1557 | 7030003560 | S.RES ERJ3GEYJ 103 V (10K) | T | 65.0/23.8 |
| R1558 | 7030003560 | S.RES ERJ3GEYJ 103 V (10K) | T | 43.6/3.2 |
| R1559 | 7030003560 | S.RES ERJ3GEYJ 103 V (10K) | T | 42.4/3.2 |
| R1591 | 7030003860 | S.RES ERJ3GE JPW V | T | 82.8/9.2 |
| R1601 | 7030003320 | S.RES ERJ3GEYJ 101 V (100) | T | 52.7/48.8 |
| R1602 | 7030003520 | S.RES ERJ3GEYJ 472 V (4.7K) | T | 38.8/48.2 |
| R1603 | 7030003520 | S.RES ERJ3GEYJ 472 V (4.7K) | T | 44.2/50.8 |
| R1604 | 7030003520 | S.RES ERJ3GEYJ 472 V (4.7K) | T | 41.0/49.4 |
| R1605 | 7030003520 | S.RES ERJ3GEYJ 472 V (4.7K) | T | 49.8/46.4 |
| R1606 | 7030003520 | S.RES ERJ3GEYJ 472 V (4.7K) | T | 45.9/44.4 |
| R1607 | 7030003520 | S.RES ERJ3GEYJ 472 V (4.7K) | T | 49.8/47.6 |
| R1621 | 7030003320 | S.RES ERJ3GEYJ 101 V (100) | T | 42.0/58.8 |
| R1622 | 7030003490 | S.RES ERJ3GEYJ 272 V (2.7K) | T | 37.2/50.8 |
| R1623 | 7030003490 | S.RES ERJ3GEYJ 272 V (2.7K) | T | 37.2/50.8 |
| R1624 | 7030003490 | S.RES ERJ3GEYJ 272 V (2.7K) | T | 40.3/52.0 |
| R1625 | 7030003490 | S.RES ERJ3GEYJ 272 V (2.7K) | T | 40.3/50.8 |
| R1626 | 7030003460 | S.RES ERJ3GEYJ 152 V (1.5K) | T | 36.0/59.4 |
| R1627 | 7030003460 | S.RES ERJ3GEYJ 152 V (1.5K) | T | 38.9/58.2 |
| R1628 | 7030003320 | S.RES ERJ3GEYJ 101 V (100) | T | 33.3/59.4 |
| R1629 | 7030003320 | S.RES ERJ3GEYJ 101 V (100) | T | 38.9/60.6 |
| R1641 | 7030003320 | S.RES ERJ3GEYJ 101 V (100) | T | 52.8/59.4 |
| R1642 | 7030003490 | S.RES ERJ3GEYJ 272 V (2.7K) | T | 50.1/53.2 |
| R1643 | 7030003490 | S.RES ERJ3GEYJ 272 V (2.7K) | T | 47.5/52.0 |
| R1644 | 7030003490 | S.RES ERJ3GEYJ 272 V (2.7K) | T | 52.7/53.2 |
| R1645 | 7030003490 | S.RES ERJ3GEYJ 272 V (2.7K) | T | 52.1/52.0 |
| R1646 | 7030003460 | S.RES ERJ3GEYJ 152 V (1.5K) | T | 47.0/59.7 |
| R1647 | 7030003460 | S.RES ERJ3GEYJ 152 V (1.5K) | T | 49.8/58.4 |
| R1648 | 7030003320 | S.RES ERJ3GEYJ 101 V (100) | T | 44.4/59.7 |
| R1649 | 7030003320 | S.RES ERJ3GEYJ 101 V (100) | T | 49.8/60.9 |
| R1661 | 7030003320 | S.RES ERJ3GEYJ 101 V (100) | T | 22.1/64.2 |
| R1662 | 7030003320 | S.RES ERJ3GEYJ 101 V (100) | T | 29.0/61.4 |
| R1663 | 7030003860 | S.RES ERJ3GE JPW V | T | 29.0/59.0 |
| R1664 | 7030003320 | S.RES ERJ3GEYJ 101 V (100) | T | 29.0/60.2 |
| R1665 | 7030003320 | S.RES ERJ3GEYJ 101 V (100) | T | |

[MAIN UNIT]

| REF NO. | PARTS NO. | DESCRIPTION | M. | H/V LOCATION |
|---------|------------|-----------------------------|----|--------------|
| R1710 | 7030003540 | S.RES ERJ3GEYJ 682 V (6.8K) | T | 5.4/67.9 |
| R1711 | 7030003540 | S.RES ERJ3GEYJ 682 V (6.8K) | T | 8.7/66.0 |
| R1712 | 7030003500 | S.RES ERJ3GEYJ 332 V (3.3K) | T | 12.7/67.2 |
| R1713 | 7030003540 | S.RES ERJ3GEYJ 682 V (6.8K) | T | 12.7/66.0 |
| R1714 | 7030003540 | S.RES ERJ3GEYJ 682 V (6.8K) | T | 15.6/66.0 |
| R1716 | 7030003320 | S.RES ERJ3GEYJ 101 V (100) | T | 12.5/75.2 |
| R1717 | 7030003560 | S.RES ERJ3GEYJ 103 V (10K) | T | 15.7/70.4 |
| R2011 | 7030003560 | S.RES ERJ3GEYJ 103 V (10K) | T | 59.8/79.9 |
| R2012 | 7030003670 | S.RES ERJ3GEYJ 823 V (82K) | T | 59.8/81.1 |
| R2013 | 7030005691 | S.RES ERA3YED 123V (12K) | T | 59.8/77.0 |
| R2015 | 7030003480 | S.RES ERJ3GEYJ 222 V (2.2K) | T | 65.6/78.1 |
| R2016 | 7030003520 | S.RES ERJ3GEYJ 472 V (4.7K) | T | 67.1/76.9 |
| R2017 | 7030003400 | S.RES ERJ3GEYJ 471 V (470) | T | 68.8/79.7 |
| R2018 | 7030003330 | S.RES ERJ3GEYJ 121 V (120) | T | 68.8/80.9 |
| R2023 | 7030003310 | S.RES ERJ3GEYJ 820 V (82) | T | 63.1/55.0 |
| R2024 | 7030003310 | S.RES ERJ3GEYJ 820 V (82) | T | 60.4/55.0 |
| R2025 | 7030003310 | S.RES ERJ3GEYJ 820 V (82) | T | 63.1/53.8 |
| R2042 | 7030003800 | S.RES ERJ3GEYJ 105 V (1M) | T | 74.6/71.6 |
| R2043 | 7030003440 | S.RES ERJ3GEYJ 102 V (1K) | T | 77.2/58.6 |
| R2044 | 7030003440 | S.RES ERJ3GEYJ 102 V (1K) | T | 77.2/59.8 |
| R2045 | 7030003440 | S.RES ERJ3GEYJ 102 V (1K) | T | 77.2/61.0 |
| R2053 | 7030003320 | S.RES ERJ3GEYJ 101 V (100) | T | 61.5/51.6 |
| R2054 | 7030003280 | S.RES ERJ3GEYJ 470 V (47) | T | 71.6/57.1 |
| R2061 | 7030003280 | S.RES ERJ3GEYJ 470 V (47) | T | 76.4/81.3 |
| R2062 | 7030003240 | S.RES ERJ3GEYJ 220 V (22) | T | 76.4/82.5 |
| R2071 | 7030003860 | S.RES ERJ3GE JPW V | T | 84.7/86.1 |
| R2101 | 7030003260 | S.RES ERJ3GEYJ 330 V (33) | T | 86.0/64.3 |
| R2104 | 7030003280 | S.RES ERJ3GEYJ 470 V (47) | T | 96.1/58.5 |
| R2105 | 7030003340 | S.RES ERJ3GEYJ 151 V (150) | T | 84.5/65.5 |
| R2106 | 7030003340 | S.RES ERJ3GEYJ 151 V (150) | T | 87.5/65.5 |
| R2500 | 7030003240 | S.RES ERJ3GEYJ 220 V (22) | T | 55.6/80.6 |
| R2501 | 7030003240 | S.RES ERJ3GEYJ 220 V (22) | T | 55.6/79.4 |
| R2502 | 7030003640 | S.RES ERJ3GEYJ 473 V (47K) | T | 49.8/85.2 |
| R2503 | 7030003640 | S.RES ERJ3GEYJ 473 V (47K) | T | 48.7/80.2 |
| R2542 | 7030003860 | S.RES ERJ3GE JPW V | T | 50.7/92.7 |
| R2543 | 7030003440 | S.RES ERJ3GEYJ 102 V (1K) | T | 39.8/88.5 |
| R2544 | 7030003860 | S.RES ERJ3GE JPW V | T | 49.1/86.8 |
| R2546 | 7030003330 | S.RES ERJ3GEYJ 121 V (120) | T | 55.2/93.7 |
| R2548 | 7030003440 | S.RES ERJ3GEYJ 102 V (1K) | T | 36.6/93.6 |
| R2549 | 7030003440 | S.RES ERJ3GEYJ 102 V (1K) | T | 36.6/94.8 |
| R2550 | 7030003440 | S.RES ERJ3GEYJ 102 V (1K) | T | 36.6/96.0 |
| R2551 | 7030003860 | S.RES ERJ3GE JPW V | T | 36.6/97.2 |
| R2552 | 7030003330 | S.RES ERJ3GEYJ 121 V (120) | T | 55.2/91.1 |
| R2553 | 7030003470 | S.RES ERJ3GEYJ 182 V (1.8K) | T | 51.3/95.9 |
| R2554 | 7030003440 | S.RES ERJ3GEYJ 102 V (1K) | T | 39.8/96.9 |
| R2555 | 7030003560 | S.RES ERJ3GEYJ 103 V (10K) | T | 40.8/98.4 |
| R2556 | 7030003470 | S.RES ERJ3GEYJ 182 V (1.8K) | T | 51.3/97.1 |
| R2557 | 7030003860 | S.RES ERJ3GE JPW V | T | 40.2/87.0 |
| R2590 | 7030003240 | S.RES ERJ3GEYJ 220 V (22) | T | 93.2/96.7 |
| R2591 | 7030003240 | S.RES ERJ3GEYJ 220 V (22) | T | 93.2/95.5 |
| R2592 | 7030003400 | S.RES ERJ3GEYJ 471 V (470) | T | 93.2/93.0 |
| R2593 | 7030003400 | S.RES ERJ3GEYJ 471 V (470) | T | 95.8/95.5 |
| R2594 | 7030003340 | S.RES ERJ3GEYJ 151 V (150) | T | 54.4/88.1 |
| R2595 | 7030003400 | S.RES ERJ3GEYJ 471 V (470) | T | 54.6/97.5 |
| R2596 | 7030003330 | S.RES ERJ3GEYJ 121 V (120) | T | 54.4/86.9 |
| R2597 | 7030003340 | S.RES ERJ3GEYJ 151 V (150) | T | 68.5/91.5 |
| R2598 | 7030003400 | S.RES ERJ3GEYJ 471 V (470) | T | 68.7/96.4 |
| R2599 | 7030003330 | S.RES ERJ3GEYJ 121 V (120) | T | 67.8/89.6 |
| R2701 | 7030003440 | S.RES ERJ3GEYJ 102 V (1K) | T | 99.5/83.9 |
| R2702 | 7030003440 | S.RES ERJ3GEYJ 102 V (1K) | T | 98.0/82.6 |
| R2703 | 7030003440 | S.RES ERJ3GEYJ 102 V (1K) | T | 98.0/81.4 |
| R2711 | 7030003390 | S.RES ERJ3GEYJ 391 V (390) | T | 109.7/89.8 |
| R2715 | 7030003390 | S.RES ERJ3GEYJ 391 V (390) | T | 145.0/96.3 |
| R2801 | 7030003390 | S.RES ERJ3GEYJ 391 V (390) | T | 115.4/94.0 |
| R2802 | 7030003260 | S.RES ERJ3GEYJ 330 V (33) | T | 135.9/97.2 |
| R2803 | 7030003340 | S.RES ERJ3GEYJ 151 V (150) | T | 135.9/94.8 |
| R2804 | 7030003340 | S.RES ERJ3GEYJ 151 V (150) | T | 137.0/96.0 |
| R2805 | 7030003390 | S.RES ERJ3GEYJ 391 V (390) | T | 140.1/92.6 |
| R2806 | 7030003680 | S.RES ERJ3GEYJ 104 V (100K) | T | 141.8/93.9 |
| R2851 | 7030003390 | S.RES ERJ3GEYJ 391 V (390) | T | 115.5/88.9 |
| R2852 | 7030003240 | S.RES ERJ3GEYJ 220 V (22) | T | 135.9/90.4 |
| R2853 | 7030003400 | S.RES ERJ3GEYJ 471 V (470) | T | 134.4/89.2 |
| R2854 | 7030003400 | S.RES ERJ3GEYJ 471 V (470) | T | 137.0/89.2 |
| R2855 | 7030003390 | S.RES ERJ3GEYJ 391 V (390) | T | 140.3/85.8 |
| R2856 | 7030003680 | S.RES ERJ3GEYJ 104 V (100K) | T | 141.8/87.0 |
| R2857 | 7030003240 | S.RES ERJ3GEYJ 220 V (22) | T | 135.9/91.6 |
| R2901 | 7030003390 | S.RES ERJ3GEYJ 391 V (390) | T | 115.5/82.2 |
| R2902 | 7030003260 | S.RES ERJ3GEYJ 330 V (33) | T | 135.9/83.6 |
| R2903 | 7030003340 | S.RES ERJ3GEYJ 151 V (150) | T | 135.9/81.2 |
| R2904 | 7030003340 | S.RES ERJ3GEYJ 151 V (150) | T | 137.0/82.4 |
| R2905 | 7030003390 | S.RES ERJ3GEYJ 391 V (390) | T | 140.0/79.1 |
| R2906 | 7030003680 | S.RES ERJ3GEYJ 104 V (100K) | T | 141.8/80.3 |
| R2950 | 7030003260 | S.RES ERJ3GEYJ 330 V (33) | T | 135.3/77.6 |
| R2951 | 7030003390 | S.RES ERJ3GEYJ 391 V (390) | T | 115.5/75.4 |
| R2952 | 7030003260 | S.RES ERJ3GEYJ 330 V (33) | T | 136.8/77.6 |
| R2953 | 7030003320 | S.RES ERJ3GEYJ 101 V (100) | T | 135.9/74.4 |
| R2954 | 7030003320 | S.RES ERJ3GEYJ 101 V (100) | T | 137.0/75.6 |
| R2955 | 7030003390 | S.RES ERJ3GEYJ 391 V (390) | T | 140.2/72.2 |
| R2956 | 7030003680 | S.RES ERJ3GEYJ 104 V (100K) | T | 141.7/73.4 |
| R2957 | 7030003440 | S.RES ERJ3GEYJ 102 V (1K) | T | 17.5/37.0 |
| R2958 | 7030003440 | S.RES ERJ3GEYJ 102 V (1K) | T | 28.1/39.9 |
| R2959 | 7030003440 | S.RES ERJ3GEYJ 102 V (1K) | T | 20.4/37.3 |
| R2960 | 7030003320 | S.RES ERJ3GEYJ 101 V (100) | T | 20.4/38.5 |
| R2961 | 7030003320 | S.RES ERJ3GEYJ 101 V (100) | T | 20.4/39.7 |
| R2962 | 7030003440 | S.RES ERJ3GEYJ 102 V (1K) | T | 20.4/40.9 |
| R2963 | 7030003440 | S.RES ERJ3GEYJ 102 V (1K) | T | 20.4/42.1 |
| R2994 | 7030003320 | S.RES ERJ3GEYJ 101 V (100) | T | 152.5/6.3 |
| R2995 | 7030003320 | S.RES ERJ3GEYJ 101 V (100) | T | 152.1/5.1 |

[MAIN UNIT]

| REF NO. | PARTS NO. | DESCRIPTION | M. | H/V LOCATION |
|---------|------------|-----------------------------|----|--------------|
| R2996 | 7030003320 | S.RES ERJ3GEYJ 101 V (100) | T | 151.7/3.9 |
| R2997 | 7030003320 | S.RES ERJ3GEYJ 101 V (100) | T | 151.3/2.7 |
| R3000 | 7030003680 | S.RES ERJ3GEYJ 104 V (100K) | T | 135.6/53.3 |
| R3001 | 7030003680 | S.RES ERJ3GEYJ 104 V (100K) | T | 137.8/45.3 |
| R3012 | 7030003360 | S.RES ERJ3GEYJ 221 V (220) | T | 177.2/2.8 |
| R3013 | 7030003360 | S.RES ERJ3GEYJ 221 V (220) | T | 175.9/13.7 |
| R3014 | 7030003360 | S.RES ERJ3GEYJ 221 V (220) | T | 185.9/4.7 |
| R3015 | 7030003360 | S.RES ERJ3GEYJ 221 V (220) | T | 182.1/12.4 |
| R3016 | 7030003360 | S.RES ERJ3GEYJ 221 V (220) | T | 186.5/10.8 |
| R3018 | 7030003860 | S.RES ERJ3GE JPW V | T | 2.8/75.5 |
| R3201 | 7030003600 | S.RES ERJ3GEYJ 223 V (22K) | T | 171.8/62.8 |
| R3202 | 7030003600 | S.RES ERJ3GEYJ 223 V (22K) | T | 171.8/61.6 |
| R3203 | 7030003400 | S.RES ERJ3GEYJ 471 V (470) | T | 173.4/57.8 |
| R3204 | 7030003680 | S.RES ERJ3GEYJ 104 V (100K) | T | 172.9/60.2 |
| R3205 | 7030003560 | S.RES ERJ3GEYJ 103 V (10K) | T | 170.7/57.8 |
| R3206 | 7030003680 | S.RES ERJ3GEYJ 104 V (100K) | T | 171.8/55.4 |
| R3207 | 7030003800 | S.RES ERJ3GEYJ 105 V (1M) | T | 178.8/54.3 |
| R3208 | 7030005691 | S.RES ERA3YED 123V (12K) | T | 182.4/55.2 |
| R3209 | 7030003240 | S.RES ERJ3GEYJ 220 V (22) | T | 183.9/41.0 |
| R3210 | 7030003240 | S.RES ERJ3GEYJ 220 V (22) | T | 183.9/42.2 |
| R3211 | 7030003640 | S.RES ERJ3GEYJ 473 V (47K) | T | 188.1/57.2 |
| R3212 | 7030003680 | S.RES ERJ3GEYJ 104 V (100K) | T | 181.5/63.7 |
| R3213 | 7030003680 | S.RES ERJ3GEYJ 104 V (100K) | T | 180.9/64.9 |
| R3214 | 7030003680 | S.RES ERJ3GEYJ 152 V (1.5K) | T | 183.9/43.5 |
| R3215 | 7030003800 | S.RES ERJ3GEYJ 105 V (1M) | T | 183.9/39.8 |
| R3216 | 7030003800 | S.RES ERJ3GEYJ 105 V (1M) | T | 176.6/34.4 |
| R3217 | 7030003520 | S.RES ERJ3GEYJ 472 V (4.7K) | T | 179.7/73.3 |
| R3218 | 7030003560 | S.RES ERJ3GEYJ 103 V (10K) | T | 177.0/73.3 |
| R3219 | 7030003590 | S.RES ERJ3GEYJ 183 V (18K) | T | 164.3/73.0 |
| R3220 | 7030003560 | S.RES ERJ3GEYJ 103 V (10K) | T | 166.9/73.0 |
| R3221 | 7030003640 | S.RES ERJ3GEYJ 473 V (47K) | T | 166.1/68.8 |
| R3222 | 7030003590 | S.RES ERJ3GEYJ 183 V (18K) | T | 166.9/70.9 |
| R3223 | 7030003680 | S.RES ERJ3GEYJ 104 V (100K) | T | 173.2/74.0 |
| R3224 | 7030003680 | S.RES ERJ3GEYJ 104 V (100K) | T | 172.3/67.2 |
| R3225 | 7030003860 | S.RES ERJ3GE JPW V | T | 189.5/38.9 |
| R3226 | 7030003860 | S.RES ERJ3GE JPW V | T | 185.3/46.4 |
| R3227 | 7030003400 | S.RES ERJ3GEYJ 471 V (470) | T | 83.6/37.5 |
| R3229 | 7030003440 | S.RES ERJ3GEYJ 102 V (1K) | T | 16.2/8.7 |
| R3230 | 7030003440 | S.RES ERJ3GEYJ 102 V (1K) | T | 15.1/10.2 |
| R3231 | 7030003440 | S.RES ERJ3GEYJ 102 V (1K) | T | 15.1/11.7 |
| R3232 | 7030003440 | S.RES ERJ3GEYJ 102 V (1K) | T | 15.1/13.3 |
| R3233 | 7030003440 | S.RES ERJ3GEYJ 102 V (1K) | T | 17.7/16.0 |
| R3234 | 7030003280 | S.RES ERJ3GEYJ 470 V (47) | T | 117.7/49.3 |
| R3235 | 7030003640 | S.RES ERJ3GEYJ 473 V (47K) | T | 163.5/68.8 |
| R3236 | 7030003860 | S.RES ERJ3GE JPW V | T | 166.8/65.7 |
| R3237 | 7030003860 | S.RES ERJ3GE JPW V | T | 162.7/62.6 |
| R3242 | 7030010570 | S.RES ERJ1TYJ 4R7U (4.7) | T | 8.7/95.8 |
| R3243 | 7030010570 | S.RES ERJ1TYJ 4R7U (4.7) | T | 16.1/95.8 |
| R3244 | 7030010570 | S.RES ERJ1TYJ 4R7U (4.7) | T | 12.4/95.8 |
| R3248 | 7030003860 | S.RES ERJ3GE JPW V | T | 167.8/59.1 |
| R3249 | 7030003860 | S.RES ERJ3GE JPW V | T | 177.7/75.2 |
| R3250 | 7030003860 | S.RES ERJ3GE JPW V | T | 175.5/75.1 |
| R3251 | 7030003860 | S.RES ERJ3GE JPW V | T | 174.7/67.1 |
| R3253 | 7030003860 | S.RES ERJ3GE JPW V | T | 165.5/63.1 |
| R3254 | 7030003860 | S.RES ERJ3GE JPW V | T | 161.6/69.6 |
| C1 | 4030006880 | S.CER C1608 JB 1H 472K-T | T | 173.7/24.2 |
| C2 | 4030006880 | S.CER C1608 JB 1H 472K-T | T | 179.3/27.2 |
| C6 | 4030007090 | S.CER C1608 CH 1H 470J-T | T | 19.3/30.4 |
| C9 | 4030007090 | S.CER C1608 CH 1H 470J-T | T | 16.9/19.6 |
| C10 | 4030007090 | S.CER C1608 CH 1H 470J-T | T | 19.3/29.2 |
| C11 | 4030007090 | S.CER C1608 CH 1H 470J-T | T | 19.3/31.6 |
| C12 | 4030007090 | S.CER C1608 CH 1H 470J-T | T | 19.7/34.0 |
| C14 | 4030007090 | S.CER C1608 CH 1H 470J-T | T | 17.1/34.6 |
| C16 | 4030006880 | S.CER C1608 JB 1H 102K-T | T | 17.4/3.2 |
| C17 | 4030011600 | S.CER C1608 JB 1E 104K-T | T | 193.0/33.8 |
| C18 | 4030006880 | S.CER C1608 JB 1H 102K-T | T | 120.1/17.6 |
| C19 | 4030006880 | S.CER C1608 JB 1H 102K-T | T | 113.6/19.4 |
| C21 | 4030006880 | S.CER C1608 JB 1H 472K-T | T | 7.4/33.1 |
| C22 | 4030006880 | S.CER C1608 JB 1H 102K-T | T | 61.0/44.6 |
| C23 | 4030006880 | S.CER C1608 JB 1H 102K-T | T | 125.6/19.4 |
| C24 | 4030006880 | S.CER C1608 JB 1H 472K-T | T | 4.8/39.0 |
| C25 | 4030006880 | S.CER C1608 JB 1H 102K-T | T | 20.9/4.9 |
| C26 | 4030006880 | S.CER C1608 JB 1H 472K-T | T | 7.4/37.1 |
| C27 | 4030006880 | S.CER C1608 JB 1H 472K-T | T | 7.4/34.3 |
| C28 | 4030006880 | S.CER C1608 JB 1H 472K-T | T | 18.3/25.6 |
| C29 | 4030006880 | S.CER C1608 JB 1H 472K-T | T | 4.8/37.8 |
| C30 | 4030006880 | S.CER C1608 JB 1H 472K-T | T | 18.3/26.8 |
| C31 | 4030011600 | S.CER C1608 JB 1E 104K-T | T | 166.3/30.5 |
| C32 | 4030011340 | S.CER C1608 CH 1H 471J-T | T | |

[MAIN UNIT]

| REF NO. | PARTS NO. | DESCRIPTION | M. | H/V LOCATION |
|---------|------------|--------------------------|----|--------------|
| C50 | 4030007120 | S.CER C1608 CH 1H 820J-T | T | 144.3/20.9 |
| C51 | 4030007110 | S.CER C1608 CH 1H 680J-T | T | 146.9/21.6 |
| C52 | 4030007070 | S.CER C1608 CH 1H 330J-T | T | 146.9/23.1 |
| C53 | 4030006860 | S.CER C1608 JB 1E 102K-T | T | 180.8/78.0 |
| C56 | 4030011600 | S.CER C1608 JB 1E 104K-T | T | 4.5/31.4 |
| C57 | 4030011600 | S.CER C1608 JB 1E 104K-T | T | 169.5/75.2 |
| C59 | 4030007130 | S.CER C1608 CH 1H 101J-T | T | 170.6/74.0 |
| C60 | 4030007090 | S.CER C1608 CH 1H 470J-T | T | 17.5/20.8 |
| C61 | 4030011600 | S.CER C1608 JB 1E 104K-T | T | 6.1/43.3 |
| C62 | 4510009820 | S.ELE EEEFK1C470P | T | 5.3/49.3 |
| C63 | 4030006880 | S.CER C1608 JB 1H 472K-T | T | 164.8/21.3 |
| C64 | 4030011600 | S.CER C1608 JB 1E 104K-T | T | 100.8/20.1 |
| C65 | 4030011600 | S.CER C1608 JB 1E 104K-T | T | 52.0/72.1 |
| C66 | 4030007130 | S.CER C1608 CH 1H 101J-T | T | 127.5/25.0 |
| C67 | 4030018620 | S.CER C1608 CH 1H 222J-T | T | 186.9/32.9 |
| C68 | 4030011600 | S.CER C1608 JB 1E 104K-T | T | 98.6/26.3 |
| C69 | 4030007130 | S.CER C1608 CH 1H 101J-T | T | 98.9/15.8 |
| C71 | 4030007090 | S.CER C1608 CH 1H 470J-T | T | 151.2/72.8 |
| C81 | 4030006880 | S.CER C1608 JB 1H 472K-T | T | 155.7/68.0 |
| C501 | 4030007100 | S.CER C1608 CH 1H 560J-T | T | 157.3/73.6 |
| C502 | 4030006880 | S.CER C1608 JB 1H 472K-T | T | 160.5/75.1 |
| C503 | 4030011600 | S.CER C1608 JB 1E 104K-T | T | 160.5/73.9 |
| C504 | 4030006900 | S.CER C1608 JB 1H 103K-T | T | 156.3/81.4 |
| C505 | 4030006900 | S.CER C1608 JB 1H 103K-T | T | 153.1/77.7 |
| C506 | 4030006900 | S.CER C1608 JB 1H 103K-T | T | 153.1/75.2 |
| C507 | 4030011600 | S.CER C1608 JB 1E 104K-T | T | 157.6/35.7 |
| C508 | 4030011600 | S.CER C1608 JB 1E 104K-T | T | 152.4/35.7 |
| C510 | 4030011600 | S.CER C1608 JB 1E 104K-T | T | 160.0/49.0 |
| C512 | 4030011600 | S.CER C1608 JB 1E 104K-T | T | 159.7/56.7 |
| C513 | 4030007150 | S.CER C1608 CH 1H 151J-T | T | 154.4/53.3 |
| C514 | 4030011600 | S.CER C1608 JB 1E 104K-T | T | 151.3/25.0 |
| C515 | 4030007070 | S.CER C1608 CH 1H 330J-T | T | 154.4/56.7 |
| C516 | 4030006880 | S.CER C1608 JB 1H 472K-T | T | 155.7/58.0 |
| C518 | 4030007100 | S.CER C1608 CH 1H 560J-T | T | 157.3/72.4 |
| C520 | 4030011600 | S.CER C1608 JB 1E 104K-T | T | 154.6/23.2 |
| C521 | 4030006860 | S.CER C1608 JB 1H 102K-T | T | 143.3/42.7 |
| C522 | 4030006880 | S.CER C1608 JB 1H 472K-T | T | 139.3/26.2 |
| C524 | 4030006880 | S.CER C1608 JB 1H 472K-T | T | 144.7/47.3 |
| C525 | 4030006880 | S.CER C1608 JB 1H 472K-T | T | 139.5/55.7 |
| C526 | 4030006880 | S.CER C1608 JB 1H 472K-T | T | 142.1/54.5 |
| C527 | 4030006880 | S.CER C1608 JB 1H 472K-T | T | 146.3/56.3 |
| C528 | 4030006880 | S.CER C1608 JB 1H 472K-T | T | 151.5/55.1 |
| C529 | 4030006880 | S.CER C1608 JB 1H 472K-T | T | 141.6/59.5 |
| C530 | 4030006880 | S.CER C1608 JB 1H 472K-T | T | 145.2/50.2 |
| C531 | 4030006880 | S.CER C1608 JB 1H 472K-T | T | 162.9/54.2 |
| C532 | 4030010000 | S.CER C1608 CH 1H 510J-T | T | 158.0/61.7 |
| C533 | 4030006880 | S.CER C1608 JB 1H 472K-T | T | 168.3/44.4 |
| C534 | 4030011600 | S.CER C1608 JB 1E 104K-T | T | 143.5/30.5 |
| C535 | 4030010760 | S.CER C1608 CH 1H 331J-T | T | 144.1/35.0 |
| C536 | 4030011600 | S.CER C1608 JB 1E 104K-T | T | 147.8/38.0 |
| C537 | 4030006860 | S.CER C1608 JB 1H 102K-T | T | 147.8/36.7 |
| C538 | 4030006860 | S.CER C1608 JB 1H 102K-T | T | 145.2/41.9 |
| C539 | 4030011600 | S.CER C1608 JB 1E 104K-T | T | 145.2/43.1 |
| C540 | 4030006860 | S.CER C1608 JB 1H 102K-T | T | 142.1/40.8 |
| C541 | 4030006880 | S.CER C1608 JB 1H 472K-T | T | 158.6/63.1 |
| C542 | 4030006980 | S.CER C1608 CH 1H 070D-T | T | 137.9/61.4 |
| C543 | 4030009520 | S.CER C1608 CH 1H 020B-T | T | 134.9/65.3 |
| C544 | 4030009520 | S.CER C1608 CH 1H 020B-T | T | 145.1/64.5 |
| C545 | 4030006880 | S.CER C1608 JB 1H 472K-T | T | 124.7/65.7 |
| C546 | 4030011600 | S.CER C1608 JB 1E 104K-T | T | 140.9/40.8 |
| C547 | 4030007100 | S.CER C1608 CH 1H 560J-T | T | 147.8/41.9 |
| C548 | 4030011600 | S.CER C1608 JB 1E 104K-T | T | 143.4/27.5 |
| C549 | 4030007100 | S.CER C1608 CH 1H 560J-T | T | 147.8/43.1 |
| C550 | 4030011600 | S.CER C1608 JB 1E 104K-T | T | 138.8/38.9 |
| C551 | 4030006880 | S.CER C1608 JB 1H 472K-T | T | 119.9/61.9 |
| C552 | 4030006880 | S.CER C1608 JB 1H 472K-T | T | 125.2/49.8 |
| C553 | 4030006880 | S.CER C1608 JB 1H 472K-T | T | 133.2/58.1 |
| C554 | 4030006860 | S.CER C1608 JB 1H 102K-T | T | 131.3/48.5 |
| C555 | 4030006880 | S.CER C1608 JB 1H 472K-T | T | 137.3/50.7 |
| C556 | 4030008360 | S.CER C1608 UJ 1H 101J-T | T | 135.2/44.8 |
| C557 | 4030006880 | S.CER C1608 JB 1H 472K-T | T | 131.1/47.3 |
| C558 | 4030006880 | S.CER C1608 JB 1H 472K-T | T | 124.8/38.3 |
| C559 | 4030008360 | S.CER C1608 UJ 1H 101J-T | T | 133.0/53.3 |
| C560 | 4030006880 | S.CER C1608 JB 1H 472K-T | T | 124.8/42.2 |
| C565 | 4030011600 | S.CER C1608 JB 1E 104K-T | T | 148.9/30.2 |
| C566 | 4030011600 | S.CER C1608 JB 1E 104K-T | T | 149.3/27.6 |
| C567 | 4030006880 | S.CER C1608 JB 1H 472K-T | T | 169.4/48.6 |
| C572 | 4030011600 | S.CER C1608 JB 1E 104K-T | T | 120.3/43.1 |
| C574 | 4030006880 | S.CER C1608 JB 1H 472K-T | T | 118.0/57.2 |
| C575 | 4030011600 | S.CER C1608 JB 1E 104K-T | T | 94.4/45.1 |
| C576 | 4030011600 | S.CER C1608 JB 1E 104K-T | T | 128.3/35.6 |
| C577 | 4030011600 | S.CER C1608 JB 1E 104K-T | T | 84.3/38.7 |
| C578 | 4030011600 | S.CER C1608 JB 1E 104K-T | T | 111.9/32.3 |
| C581 | 4030007090 | S.CER C1608 CH 1H 470J-T | T | 118.8/28.8 |
| C583 | 4030011600 | S.CER C1608 JB 1E 104K-T | T | 124.7/37.0 |
| C584 | 4510009820 | S.ELE EEEFK1C470P | T | 128.6/30.0 |
| C585 | 4030011600 | S.CER C1608 JB 1E 104K-T | T | 122.3/28.8 |
| C586 | 4030006880 | S.CER C1608 JB 1H 472K-T | T | 118.6/23.1 |
| C587 | 4030006880 | S.CER C1608 JB 1H 472K-T | T | 112.6/27.8 |
| C588 | 4030011600 | S.CER C1608 JB 1E 104K-T | T | 115.2/27.8 |
| C589 | 4030011600 | S.CER C1608 JB 1E 104K-T | T | 113.6/34.7 |
| C590 | 4030011600 | S.CER C1608 JB 1E 104K-T | T | 57.8/44.6 |
| C591 | 4030011600 | S.CER C1608 JB 1E 104K-T | T | 108.2/38.5 |
| C594 | 4030011600 | S.CER C1608 JB 1E 104K-T | T | 72.4/41.8 |
| C595 | 4030019490 | S.CER C2012 JB 1A 106K-T | T | 75.6/41.2 |
| C596 | 4030006880 | S.CER C1608 JB 1H 472K-T | T | 81.7/48.0 |
| C597 | 4030017490 | S.CER C1608 JB 1A 105K-T | T | 76.5/45.4 |
| C598 | 4030011600 | S.CER C1608 JB 1E 104K-T | T | 79.1/45.4 |

[MAIN UNIT]

| REF NO. | PARTS NO. | DESCRIPTION | M. | H/V LOCATION |
|---------|------------|----------------------------|----|--------------|
| C599 | 4030006880 | S.CER C1608 JB 1H 472K-T | T | 75.0/43.4 |
| C600 | 4030006880 | S.CER C1608 JB 1H 472K-T | T | 72.7/43.4 |
| C601 | 4030011600 | S.CER C1608 JB 1E 104K-T | T | 107.7/30.2 |
| C602 | 4030011600 | S.CER C1608 JB 1E 104K-T | T | 96.7/35.7 |
| C603 | 4030007060 | S.CER C1608 CH 1H 270J-T | T | 166.9/57.5 |
| C604 | 4030007040 | S.CER C1608 CH 1H 180J-T | T | 166.9/56.3 |
| C605 | 4030007090 | S.CER C1608 CH 1H 470J-T | T | 168.9/52.5 |
| C607 | 4030007050 | S.CER C1608 CH 1H 220J-T | T | 166.2/48.7 |
| C618 | 4030011600 | S.CER C1608 JB 1E 104K-T | T | 93.3/32.2 |
| C619 | 4030011600 | S.CER C1608 JB 1E 104K-T | T | 90.2/34.5 |
| C620 | 4030011600 | S.CER C1608 JB 1E 104K-T | T | 89.9/27.4 |
| C621 | 4030011600 | S.CER C1608 JB 1E 104K-T | T | 84.7/35.6 |
| C622 | 4030011600 | S.CER C1608 JB 1E 104K-T | T | 84.8/32.1 |
| C623 | 4030019460 | S.CER C1608 JB 0J 106M-T | T | 87.3/28.5 |
| C651 | 4030006880 | S.CER C1608 JB 1H 472K-T | T | 160.4/53.2 |
| C652 | 4030011600 | S.CER C1608 JB 1E 104K-T | T | 88.3/44.4 |
| C653 | 4030006860 | S.CER C1608 JB 1H 102K-T | T | 88.3/48.0 |
| C654 | 4030007140 | S.CER C1608 CH 1H 121J-T | T | 88.3/50.0 |
| C655 | 4030011600 | S.CER C1608 JB 1E 104K-T | T | 90.0/55.0 |
| C656 | 4030011600 | S.CER C1608 JB 1E 104K-T | T | 98.4/51.3 |
| C657 | 4030019090 | S.CER C2012 JB 1C 225M-T | T | 90.4/57.8 |
| C658 | 4030011600 | S.CER C1608 JB 1E 104K-T | T | 97.0/45.1 |
| C659 | 4030007140 | S.CER C1608 CH 1H 121J-T | T | 98.5/46.3 |
| C660 | 4030011600 | S.CER C1608 JB 1E 104K-T | T | 95.5/41.5 |
| C661 | 4030006860 | S.CER C1608 JB 1H 102K-T | T | 101.3/40.8 |
| C662 | 4030011600 | S.CER C1608 JB 1E 104K-T | T | 97.9/39.1 |
| C663 | 4030011600 | S.CER C1608 JB 1E 104K-T | T | 92.4/46.8 |
| C664 | 4030011600 | S.CER C1608 JB 1E 104K-T | T | 83.3/41.0 |
| C665 | 4030011600 | S.CER C1608 JB 1E 104K-T | T | 127.7/23.1 |
| C666 | 4030011600 | S.CER C1608 JB 1E 104K-T | T | 101.7/22.2 |
| C667 | 4030011600 | S.CER C1608 JB 1E 104K-T | T | 70.2/27.4 |
| C669 | 4030006900 | S.CER C1608 JB 1H 103K-T | T | 73.3/32.4 |
| C670 | 4030009880 | S.CER C1608 JB 1H 682K-T | T | 73.3/31.2 |
| C671 | 4030006900 | S.CER C1608 JB 1H 103K-T | T | 72.7/33.6 |
| C672 | 4030006860 | S.CER C1608 JB 1H 102K-T | T | 91.5/53.5 |
| C673 | 4030019460 | S.CER C1608 JB 0J 106M-T | T | 66.9/34.5 |
| C674 | 4030017490 | S.CER C1608 JB 1A 105K-T | T | 66.9/37.8 |
| C675 | 4030019460 | S.CER C1608 JB 0J 106M-T | T | 68.3/40.0 |
| C676 | 4030017490 | S.CER C1608 JB 1A 105K-T | T | 68.3/38.8 |
| C677 | 4030019460 | S.CER C1608 JB 0J 106M-T | T | 69.8/32.6 |
| C678 | 4030017490 | S.CER C1608 JB 1A 105K-T | T | 72.1/38.3 |
| C679 | 4030011600 | S.CER C1608 JB 1E 104K-T | T | 82.6/33.3 |
| C680 | 4030017490 | S.CER C1608 JB 1A 105K-T | T | 76.1/31.2 |
| C681 | 4030006900 | S.CER C1608 JB 1H 103K-T | T | 77.0/26.1 |
| C682 | 4030006880 | S.CER C1608 JB 1H 472K-T | T | 175.0/2.2 |
| C683 | 4030006880 | S.CER C1608 JB 1H 472K-T | T | 129.8/24.4 |
| C684 | 4030006860 | S.CER C1608 JB 1H 102K-T | T | 80.1/26.8 |
| C1021 | 4030019490 | S.CER C2012 JB 1A 106K-T | T | 61.5/47.3 |
| C1022 | 4030011600 | S.CER C1608 JB 1E 104K-T | T | 59.3/49.5 |
| C1023 | 4030017490 | S.CER C1608 JB 1A 105K-T | T | 63.6/46.9 |
| C1024 | 4030017490 | S.CER C1608 JB 1A 105K-T | T | 60.6/38.4 |
| C1025 | 4030019460 | S.CER C1608 JB 0J 106M-T | T | 54.5/51.1 |
| C1031 | 4030019460 | S.CER C1608 JB 0J 106M-T | T | 4.2/83.2 |
| C1032 | 4030019460 | S.CER C1608 JB 0J 106M-T | T | 8.6/74.6 |
| C1033 | 4030017490 | S.CER C1608 JB 1A 105K-T | T | 50.4/43.0 |
| C1034 | 4030011340 | S.CER C1608 CH 1H 471J-T | T | 51.6/40.6 |
| C1035 | 4030011600 | S.CER C1608 JB 1E 104K-T | T | 56.4/41.2 |
| C1036 | 4030019460 | S.CER C1608 JB 0J 106M-T | T | 165.8/97.3 |
| C1037 | 4030011600 | S.CER C1608 JB 1E 104K-T | T | 105.5/18.7 |
| C1038 | 4030019090 | S.CER C2012 JB 1C 225M-T | T | 108.0/16.0 |
| C1039 | 4030017490 | S.CER C1608 JB 1A 105K-T | T | 108.3/14.4 |
| C1040 | 4030019490 | S.CER C2012 JB 1A 106K-T | T | 103.9/20.5 |
| C1041 | 4030019460 | S.CER C1608 JB 0J 106M-T | T | 2.8/77.0 |
| C1043 | 4030019460 | S.CER C1608 JB 0J 106M-T | T | 53.5/43.0 |
| C1051 | 4030018620 | S.CER C1608 CH 1H 222J-T | T | 15.1/77.4 |
| C1053 | 4030011600 | S.CER C1608 JB 1E 104K-T | T | 21.2/80.6 |
| C1054 | 4030011600 | S.CER C1608 JB 1E 104K-T | T | 15.1/81.0 |
| C1055 | 4030007130 | S.CER C1608 CH 1H 101J-T | T | 45.2/77.4 |
| C1071 | 4030019460 | S.CER C1608 JB 0J 106M-T | T | 159.6/90.3 |
| C1072 | 4030019460 | S.CER C1608 JB 0J 106M-T | T | 9.5/82.0 |
| C1081 | 4030019460 | S.CER C1608 JB 0J 106M-T | T | 164.3/91.9 |
| C1082 | 4030011600 | S.CER C1608 JB 1E 104K-T | T | 165.8/96.1 |
| C1083 | 4030006860 | S.CER C1608 JB 1H 102K-T | T | 157.0/93.9 |
| C1085 | 4030011600 | S.CER C1608 JB 1E 104K-T | T | 2.8/78.2 |
| C1086 | 4030011600 | S.CER C1608 JB 1E 104K-T | T | 8.6/77.0 |
| C1087 | 4030019460 | S.CER C1608 JB 0J 106M-T</ | | |

[MAIN UNIT]

| REF NO. | PARTS NO. | DESCRIPTION | M. | H/V LOCATION |
|---------|------------|--------------------------|----|--------------|
| C1554 | 4030011600 | S.CER C1608 JB 1E 104K-T | T | 66.2/20.8 |
| C1555 | 4030011600 | S.CER C1608 JB 1E 104K-T | T | 66.2/26.3 |
| C1556 | 4030011600 | S.CER C1608 JB 1E 104K-T | T | 48.6/34.0 |
| C1557 | 4030011600 | S.CER C1608 JB 1E 104K-T | T | 34.2/26.7 |
| C1558 | 4030011600 | S.CER C1608 JB 1E 104K-T | T | 35.0/18.5 |
| C1559 | 4030011600 | S.CER C1608 JB 1E 104K-T | T | 35.9/11.6 |
| C1560 | 4030011600 | S.CER C1608 JB 1E 104K-T | T | 50.3/3.6 |
| C1561 | 4030011600 | S.CER C1608 JB 1E 104K-T | T | 67.0/13.1 |
| C1562 | 4030011600 | S.CER C1608 JB 1E 104K-T | T | 65.4/7.3 |
| C1563 | 4030011600 | S.CER C1608 JB 1E 104K-T | T | 54.3/3.9 |
| C1564 | 4030011600 | S.CER C1608 JB 1E 104K-T | T | 48.8/3.6 |
| C1565 | 4030011600 | S.CER C1608 JB 1E 104K-T | T | 40.5/3.2 |
| C1566 | 4030011600 | S.CER C1608 JB 1E 104K-T | T | 35.0/15.9 |
| C1567 | 4030011600 | S.CER C1608 JB 1E 104K-T | T | 35.9/24.4 |
| C1568 | 4030011600 | S.CER C1608 JB 1E 104K-T | T | 35.9/30.4 |
| C1569 | 4030011600 | S.CER C1608 JB 1E 104K-T | T | 44.8/34.0 |
| C1570 | 4030011600 | S.CER C1608 JB 1E 104K-T | T | 52.2/34.0 |
| C1571 | 4030011600 | S.CER C1608 JB 1E 104K-T | T | 54.6/34.0 |
| C1572 | 4030011600 | S.CER C1608 JB 1E 104K-T | T | 58.8/33.3 |
| C1573 | 4030011600 | S.CER C1608 JB 1E 104K-T | T | 65.0/27.6 |
| C1574 | 4030011600 | S.CER C1608 JB 1E 104K-T | T | 48.0/19.2 |
| C1575 | 4030011600 | S.CER C1608 JB 1E 104K-T | T | 51.0/34.0 |
| C1576 | 4030011600 | S.CER C1608 JB 1E 104K-T | T | 61.4/33.3 |
| C1592 | 4030017490 | S.CER C1608 JB 1A 105K-T | T | 78.4/9.9 |
| C1593 | 4030017490 | S.CER C1608 JB 1A 105K-T | T | 78.9/24.3 |
| C1594 | 4030019460 | S.CER C1608 JB 0J 106M-T | T | 76.1/8.7 |
| C1595 | 4510009820 | S.ELE EEEFK1C470P | T | 78.0/4.5 |
| C1601 | 4030011600 | S.CER C1608 JB 1E 104K-T | T | 45.9/49.4 |
| C1602 | 4030019490 | S.CER C2012 JB 1A 106K-T | T | 48.9/49.3 |
| C1603 | 4030017490 | S.CER C1608 JB 1A 105K-T | T | 37.3/49.4 |
| C1604 | 4030017490 | S.CER C1608 JB 1A 105K-T | T | 53.8/46.7 |
| C1605 | 4030011600 | S.CER C1608 JB 1E 104K-T | T | 38.8/47.0 |
| C1606 | 4030011600 | S.CER C1608 JB 1E 104K-T | T | 43.3/44.3 |
| C1621 | 4030011600 | S.CER C1608 JB 1E 104K-T | T | 44.3/57.7 |
| C1622 | 4030019490 | S.CER C2012 JB 1A 106K-T | T | 44.4/56.2 |
| C1623 | 4030011600 | S.CER C1608 JB 1E 104K-T | T | 37.2/53.2 |
| C1624 | 4030018580 | S.CER C1608 CH 1H 821J-T | T | 36.0/58.2 |
| C1625 | 4030018580 | S.CER C1608 CH 1H 821J-T | T | 38.9/59.4 |
| C1626 | 4030011600 | S.CER C1608 JB 1E 104K-T | T | 40.7/53.2 |
| C1627 | 4030018620 | S.CER C1608 CH 1H 222J-T | T | 36.1/60.6 |
| C1641 | 4030011600 | S.CER C1608 JB 1E 104K-T | T | 55.5/57.9 |
| C1642 | 4030019490 | S.CER C2012 JB 1A 106K-T | T | 55.8/59.4 |
| C1643 | 4030011600 | S.CER C1608 JB 1E 104K-T | T | 47.5/53.2 |
| C1644 | 4030018580 | S.CER C1608 CH 1H 821J-T | T | 47.0/58.3 |
| C1645 | 4030018580 | S.CER C1608 CH 1H 821J-T | T | 49.8/59.6 |
| C1646 | 4030011600 | S.CER C1608 JB 1E 104K-T | T | 55.3/55.1 |
| C1647 | 4030018620 | S.CER C1608 CH 1H 222J-T | T | 47.0/60.9 |
| C1661 | 4030019490 | S.CER C2012 JB 1A 106K-T | T | 29.4/54.5 |
| C1662 | 4030011600 | S.CER C1608 JB 1E 104K-T | T | 30.9/54.5 |
| C1663 | 4030019490 | S.CER C2012 JB 1A 106K-T | T | 24.7/51.7 |
| C1664 | 4030011600 | S.CER C1608 JB 1E 104K-T | T | 29.0/57.8 |
| C1665 | 4030011600 | S.CER C1608 JB 1E 104K-T | T | 17.9/56.9 |
| C1666 | 4030011600 | S.CER C1608 JB 1E 104K-T | T | 16.7/56.9 |
| C1667 | 4030019490 | S.CER C2012 JB 1A 106K-T | T | 24.8/49.1 |
| C1668 | 4030011600 | S.CER C1608 JB 1E 104K-T | T | 21.8/48.8 |
| C1681 | 4030011600 | S.CER C1608 JB 1E 104K-T | T | 2.8/55.0 |
| C1691 | 4030011600 | S.CER C1608 JB 1E 104K-T | T | 29.5/24.7 |
| C1692 | 4030019490 | S.CER C2012 JB 1A 106K-T | T | 19.7/92.0 |
| C1693 | 4030019490 | S.CER C2012 JB 1A 106K-T | T | 10.2/88.9 |
| C1701 | 4030019490 | S.CER C2012 JB 1A 106K-T | T | 11.7/62.0 |
| C1702 | 4030019490 | S.CER C2012 JB 1A 106K-T | T | 17.9/65.9 |
| C1703 | 4030017800 | S.CER C1608 CH 1H 561J-T | T | 6.1/66.7 |
| C1704 | 4030007170 | S.CER C1608 CH 1H 221J-T | T | 5.4/70.3 |
| C1705 | 4030017800 | S.CER C1608 CH 1H 561J-T | T | 12.7/64.8 |
| C1706 | 4030007170 | S.CER C1608 CH 1H 221J-T | T | 8.7/67.2 |
| C1707 | 4030007170 | S.CER C1608 CH 1H 221J-T | T | 12.7/68.4 |
| C1708 | 4030007170 | S.CER C1608 CH 1H 221J-T | T | 15.6/67.2 |
| C1709 | 4030017490 | S.CER C1608 JB 1A 105K-T | T | 9.8/73.4 |
| C1710 | 4030017490 | S.CER C1608 JB 1A 105K-T | T | 17.2/71.6 |
| C1711 | 4030011600 | S.CER C1608 JB 1E 104K-T | T | 8.7/68.4 |
| C1712 | 4030019490 | S.CER C2012 JB 1A 106K-T | T | 12.7/73.7 |
| C2011 | 4030007070 | S.CER C1608 CH 1H 330J-T | T | 59.8/78.2 |
| C2012 | 4030006880 | S.CER C1608 JB 1H 472K-T | T | 70.3/82.1 |
| C2013 | 4030006880 | S.CER C1608 JB 1H 102K-T | T | 68.8/78.3 |
| C2014 | 4030006880 | S.CER C1608 JB 1H 472K-T | T | 74.9/77.7 |
| C2015 | 4030006880 | S.CER C1608 JB 1H 472K-T | T | 64.2/76.9 |
| C2016 | 4030006880 | S.CER C1608 JB 1H 472K-T | T | 64.3/83.8 |
| C2017 | 4030006880 | S.CER C1608 JB 1H 102K-T | T | 63.3/82.5 |
| C2021 | 4030006880 | S.CER C1608 JB 1H 472K-T | T | 62.9/61.2 |
| C2022 | 4030007100 | S.CER C1608 CH 1H 560J-T | T | 60.3/61.2 |
| C2023 | 4030007060 | S.CER C1608 CH 1H 270J-T | T | 61.4/60.0 |
| C2024 | 4030007140 | S.CER C1608 CH 1H 121J-T | T | 58.8/60.0 |
| C2025 | 4030007100 | S.CER C1608 CH 1H 560J-T | T | 63.0/56.2 |
| C2026 | 4030007110 | S.CER C1608 CH 1H 680J-T | T | 60.4/56.2 |
| C2040 | 4030007060 | S.CER C1608 CH 1H 270J-T | T | 72.0/71.6 |
| C2041 | 4030006880 | S.CER C1608 JB 1H 472K-T | T | 75.9/70.4 |
| C2042 | 4030011600 | S.CER C1608 JB 1E 104K-T | T | 72.8/67.8 |
| C2043 | 4030006880 | S.CER C1608 JB 1H 472K-T | T | 72.1/66.6 |
| C2044 | 4030011600 | S.CER C1608 JB 1E 104K-T | T | 72.6/53.8 |
| C2045 | 4030019490 | S.CER C2012 JB 1A 106K-T | T | 70.6/53.3 |
| C2046 | 4030006880 | S.CER C1608 JB 1H 472K-T | T | 72.6/55.0 |
| C2047 | 4030011600 | S.CER C1608 JB 1E 104K-T | T | 75.2/55.0 |
| C2048 | 4030019490 | S.CER C2012 JB 1A 106K-T | T | 75.6/53.5 |
| C2049 | 4030011600 | S.CER C1608 JB 1E 104K-T | T | 71.6/60.7 |
| C2050 | 4030009880 | S.CER C1608 JB 1H 682K-T | T | 71.6/59.5 |
| C2051 | 4030009910 | S.CER C1608 CH 1H 040B-T | T | 70.1/58.3 |
| C2052 | 4030009880 | S.CER C1608 JB 1H 682K-T | T | 69.0/57.1 |
| C2053 | 4030007090 | S.CER C1608 CH 1H 470J-T | T | 59.0/41.9 |

[MAIN UNIT]

| REF NO. | PARTS NO. | DESCRIPTION | M. | H/V LOCATION |
|---------|------------|--------------------------|----|--------------|
| C2054 | 4030018620 | S.CER C1608 CH 1H 222J-T | T | 69.0/55.9 |
| C2055 | 4030006880 | S.CER C1608 JB 1H 472K-T | T | 65.8/53.6 |
| C2061 | 4030006990 | S.CER C1608 CH 1H 080D-T | T | 63.0/69.3 |
| C2070 | 4030006990 | S.CER C1608 CH 1H 070D-T | T | 86.1/77.5 |
| C2071 | 4030007070 | S.CER C1608 CH 1H 330J-T | T | 79.0/81.3 |
| C2072 | 4030010760 | S.CER C1608 CH 1H 331J-T | T | 80.6/80.1 |
| C2073 | 4030007070 | S.CER C1608 CH 1H 330J-T | T | 81.6/81.3 |
| C2074 | 4030010760 | S.CER C1608 CH 1H 331J-T | T | 83.4/80.0 |
| C2075 | 4030007090 | S.CER C1608 CH 1H 470J-T | T | 84.2/81.3 |
| C2076 | 4030007110 | S.CER C1608 CH 1H 680J-T | T | 86.1/76.3 |
| C2077 | 4030007040 | S.CER C1608 CH 1H 180J-T | T | 87.6/81.3 |
| C2078 | 4030007150 | S.CER C1608 CH 1H 151J-T | T | 87.6/75.1 |
| C2079 | 4030011770 | S.CER C1608 CH 1H 060B-T | T | 85.8/72.8 |
| C2080 | 4030007150 | S.CER C1608 CH 1H 151J-T | T | 83.2/73.4 |
| C2081 | 4030011770 | S.CER C1608 CH 1H 060B-T | T | 87.3/68.1 |
| C2082 | 4030007120 | S.CER C1608 CH 1H 820J-T | T | 83.9/71.7 |
| C2083 | 4030011770 | S.CER C1608 CH 1H 060B-T | T | 85.8/74.0 |
| C2091 | 4030006860 | S.CER C1608 JB 1H 102K-T | T | 83.2/66.9 |
| C2092 | 4030006860 | S.CER C1608 JB 1H 102K-T | T | 80.2/68.1 |
| C2093 | 4030006860 | S.CER C1608 JB 1H 102K-T | T | 80.2/64.3 |
| C2101 | 4030007080 | S.CER C1608 CH 1H 390J-T | T | 92.0/61.5 |
| C2102 | 4030009530 | S.CER C1608 CH 1H 030B-T | T | 94.6/62.1 |
| C2103 | 4030007110 | S.CER C1608 CH 1H 680J-T | T | 93.4/60.3 |
| C2104 | 4030006990 | S.CER C1608 CH 1H 070D-T | T | 96.1/60.9 |
| C2105 | 4030007030 | S.CER C1608 CH 1H 150J-T | T | 96.1/59.7 |
| C2131 | 4030011770 | S.CER C1608 CH 1H 060B-T | T | 50.2/64.1 |
| C2132 | 4030007150 | S.CER C1608 CH 1H 151J-T | T | 50.2/65.4 |
| C2133 | 4030009910 | S.CER C1608 CH 1H 040B-T | T | 47.6/64.1 |
| C2134 | 4030007120 | S.CER C1608 CH 1H 820J-T | T | 47.6/65.5 |
| C2135 | 4030009920 | S.CER C1608 CH 1H 050B-T | T | 45.0/64.1 |
| C2136 | 4030007080 | S.CER C1608 CH 1H 390J-T | T | 45.0/65.4 |
| C2137 | 4030006990 | S.CER C1608 CH 1H 070D-T | T | 43.5/66.6 |
| C2138 | 4030007050 | S.CER C1608 CH 1H 220J-T | T | 43.5/68.0 |
| C2139 | 4030009530 | S.CER C1608 CH 1H 030B-T | T | 38.6/66.2 |
| C2140 | 4030007070 | S.CER C1608 CH 1H 330J-T | T | 41.1/70.0 |
| C2141 | 4030009510 | S.CER C1608 CH 1H 010B-T | T | 38.5/70.0 |
| C2142 | 4030007080 | S.CER C1608 CH 1H 390J-T | T | 40.0/71.2 |
| C2143 | 4030009500 | S.CER C1608 CH 1H 0R5B-T | T | 40.0/72.5 |
| C2144 | 4030007040 | S.CER C1608 CH 1H 180J-T | T | 42.6/71.2 |
| C2145 | 4030011770 | S.CER C1608 CH 1H 060B-T | T | 42.6/72.5 |
| C2151 | 4030006860 | S.CER C1608 JB 1H 102K-T | T | 41.5/75.1 |
| C2152 | 4030006860 | S.CER C1608 JB 1H 102K-T | T | 43.4/77.2 |
| C2153 | 4030011600 | S.CER C1608 JB 1E 104K-T | T | 42.8/81.6 |
| C2154 | 4030006990 | S.CER C1608 CH 1H 080D-T | T | 43.6/83.1 |
| C2501 | 4030011600 | S.CER C1608 JB 1E 104K-T | T | 52.4/85.2 |
| C2502 | 4030011600 | S.CER C1608 JB 1E 104K-T | T | 51.3/80.2 |
| C2503 | 4030006880 | S.CER C1608 JB 1H 472K-T | T | 57.1/78.2 |
| C2504 | 4030011600 | S.CER C1608 JB 1E 104K-T | T | 57.1/77.0 |
| C2548 | 4030011600 | S.CER C1608 JB 1E 104K-T | T | 42.4/86.1 |
| C2549 | 4030011600 | S.CER C1608 JB 1E 104K-T | T | 43.8/86.1 |
| C2550 | 4030007050 | S.CER C1608 CH 1H 220J-T | T | 46.0/85.7 |
| C2551 | 4030011600 | S.CER C1608 JB 1E 104K-T | T | 46.5/86.9 |
| C2553 | 4030011600 | S.CER C1608 JB 1E 104K-T | T | 36.6/92.4 |
| C2554 | 4030019490 | S.CER C2012 JB 1A 106K-T | T | 51.0/90.8 |
| C2555 | 4030011600 | S.CER C1608 JB 1E 104K-T | T | 50.8/89.2 |
| C2556 | 4030019460 | S.CER C1608 JB 0J 106M-T | T | 49.4/88.0 |
| C2557 | 4030011600 | S.CER C1608 JB 1E 104K-T | T | 51.3/94.7 |
| C2558 | 4030006880 | S.CER C1608 JB 1H 472K-T | T | 47.0/99.3 |
| C2559 | 4030019490 | S.CER C2012 JB 1A 106K-T | T | 36.4/90.9 |
| C2560 | 4030007070 | S.CER C1608 CH 1H 330J-T | T | 43.1/84.3 |
| C2563 | 4030007060 | S.CER C1608 CH 1H 270J-T | T | 65.3/90.4 |
| C2564 | 4030007120 | S.CER C1608 CH 1H 820J-T | T | 65.4/95.6 |
| C2565 | 4030007060 | S.CER C1608 CH 1H 270J-T | T | 65.4/96.4 |
| C2566 | 4030007030 | S.CER C1608 CH 1H 150J-T | T | 65.4/96.8 |
| C2575 | 4030007100 | S.CER C1608 CH 1H 560J-T | T | 80.3/95.1 |
| C2576 | 4030007070 | S.CER C1608 CH 1H 330J-T | T | 80.2/90.1 |
| C2577 | 4030007150 | S.CER C1608 CH 1H 151J-T | T | 81.8/96.3 |
| C2578 | 4030007100 | S.CER C1608 CH 1H 560J-T | T | 82.4/98.7 |
| C2579 | 4030007040 | S.CER C1608 CH 1H 180J-T | T | 85.2/95.1 |
| C2580 | 4030007080 | S.CER C1608 CH 1H 390J-T | T | 85.2/93.9 |
| C2581 | 4030007050 | S.CER C1608 CH 1H 220J-T | T | 87.8/93.7 |
| C2582 | 4030007140 | S.CER C1608 CH 1H 121J-T | T | 81.8/97.5 |
| C2594 | 4030007080 | S.CER C1608 CH 1H 390J-T | T | 54.4/89.3 |
| C2595 | 4030011600 | S.CER C1608 JB 1E 104K-T | T | 54.6/96.3 |
| C2596 | 4030006880 | S.CER C1608 JB 1H 472K-T | T | |

[MAIN UNIT]

| REF NO. | PARTS NO. | DESCRIPTION | M. | H/V LOCATION |
|---------|------------|--------------------------|----|--------------|
| C2714 | 4030007050 | S.CER C1608 CH 1H 220J-T | T | 149.4/80.1 |
| C2715 | 4030007130 | S.CER C1608 CH 1H 101J-T | T | 98.9/17.0 |
| C2800 | 4030009530 | S.CER C1608 CH 1H 030B-T | T | 121.0/98.4 |
| C2801 | 4030010000 | S.CER C1608 CH 1H 510J-T | T | 117.7/99.6 |
| C2802 | 4030007060 | S.CER C1608 CH 1H 270J-T | T | 120.3/99.6 |
| C2803 | 4030007070 | S.CER C1608 CH 1H 330J-T | T | 122.9/99.6 |
| C2804 | 4030006880 | S.CER C1608 JB 1H 472K-T | T | 125.5/99.6 |
| C2805 | 4030018580 | S.CER C1608 CH 1H 821J-T | T | 118.4/98.4 |
| C2806 | 4030011340 | S.CER C1608 CH 1H 471J-T | T | 121.6/97.2 |
| C2807 | 4030007090 | S.CER C1608 CH 1H 470J-T | T | 126.4/94.6 |
| C2808 | 4030006980 | S.CER C1608 CH 1H 070D-T | T | 127.0/98.4 |
| C2809 | 4030006880 | S.CER C1608 JB 1H 472K-T | T | 138.5/97.2 |
| C2810 | 4030007130 | S.CER C1608 CH 1H 101J-T | T | 129.2/94.8 |
| C2811 | 4030009920 | S.CER C1608 CH 1H 050B-T | T | 128.5/99.6 |
| C2812 | 4030007120 | S.CER C1608 CH 1H 820J-T | T | 131.8/94.8 |
| C2813 | 4030009500 | S.CER C1608 CH 1H 0R5B-T | T | 133.3/97.2 |
| C2814 | 4030007060 | S.CER C1608 CH 1H 270J-T | T | 131.8/96.0 |
| C2815 | 4030007110 | S.CER C1608 CH 1H 680J-T | T | 134.4/96.0 |
| C2816 | 4030006880 | S.CER C1608 JB 1H 472K-T | T | 141.8/95.1 |
| C2817 | 4030009530 | S.CER C1608 CH 1H 030B-T | T | 123.6/98.4 |
| C2850 | 4030009530 | S.CER C1608 CH 1H 030B-T | T | 122.3/91.6 |
| C2851 | 4030009500 | S.CER C1608 CH 1H 0R5B-T | T | 133.3/90.4 |
| C2852 | 4030007090 | S.CER C1608 CH 1H 470J-T | T | 118.4/92.8 |
| C2853 | 4030007060 | S.CER C1608 CH 1H 270J-T | T | 121.0/92.8 |
| C2854 | 4030007060 | S.CER C1608 CH 1H 270J-T | T | 123.6/93.1 |
| C2855 | 4030006880 | S.CER C1608 JB 1H 472K-T | T | 126.2/93.1 |
| C2856 | 4030017800 | S.CER C1608 CH 1H 561J-T | T | 118.8/91.6 |
| C2857 | 4030010760 | S.CER C1608 CH 1H 331J-T | T | 121.8/90.4 |
| C2858 | 4030010000 | S.CER C1608 CH 1H 510J-T | T | 125.6/87.8 |
| C2859 | 4030006980 | S.CER C1608 CH 1H 070D-T | T | 127.7/91.6 |
| C2860 | 4030018020 | S.CER C1608 CH 1H 910J-T | T | 129.2/87.8 |
| C2861 | 4030006880 | S.CER C1608 JB 1H 472K-T | T | 138.5/90.4 |
| C2862 | 4030009530 | S.CER C1608 CH 1H 030B-T | T | 131.0/89.0 |
| C2863 | 4030018020 | S.CER C1608 CH 1H 910J-T | T | 131.8/87.8 |
| C2865 | 4030006880 | S.CER C1608 JB 1H 472K-T | T | 141.8/88.2 |
| C2866 | 4030007030 | S.CER C1608 CH 1H 150J-T | T | 137.0/88.0 |
| C2867 | 4030007150 | S.CER C1608 CH 1H 151J-T | T | 123.6/87.9 |
| C2900 | 4030011770 | S.CER C1608 CH 1H 060B-T | T | 122.3/84.8 |
| C2901 | 4030007070 | S.CER C1608 CH 1H 330J-T | T | 118.4/86.0 |
| C2902 | 4030010760 | S.CER C1608 CH 1H 331J-T | T | 119.1/84.8 |
| C2903 | 4030009990 | S.CER C1608 CH 1H 200J-T | T | 121.0/86.0 |
| C2904 | 4030007170 | S.CER C1608 CH 1H 221J-T | T | 122.3/83.6 |
| C2905 | 4030007040 | S.CER C1608 CH 1H 180J-T | T | 123.6/86.0 |
| C2906 | 4030006880 | S.CER C1608 JB 1H 472K-T | T | 126.2/86.0 |
| C2907 | 4030011770 | S.CER C1608 CH 1H 060B-T | T | 127.7/84.8 |
| C2908 | 4030007100 | S.CER C1608 CH 1H 560J-T | T | 125.6/81.0 |
| C2909 | 4030009530 | S.CER C1608 CH 1H 030B-T | T | 131.0/82.2 |
| C2910 | 4030009510 | S.CER C1608 CH 1H 010B-T | T | 133.3/83.6 |
| C2911 | 4030006880 | S.CER C1608 JB 1H 472K-T | T | 138.5/83.6 |
| C2912 | 4030007120 | S.CER C1608 CH 1H 820J-T | T | 129.2/81.0 |
| C2913 | 4030018020 | S.CER C1608 CH 1H 910J-T | T | 131.8/81.0 |
| C2914 | 4030007100 | S.CER C1608 CH 1H 560J-T | T | 134.4/82.4 |
| C2915 | 4030006880 | S.CER C1608 JB 1H 472K-T | T | 141.8/81.5 |
| C2950 | 4030009530 | S.CER C1608 CH 1H 030B-T | T | 119.0/78.0 |
| C2951 | 4030007060 | S.CER C1608 CH 1H 270J-T | T | 118.4/79.2 |
| C2952 | 4030010760 | S.CER C1608 CH 1H 331J-T | T | 118.8/76.8 |
| C2953 | 4030007040 | S.CER C1608 CH 1H 180J-T | T | 121.0/79.2 |
| C2954 | 4030007170 | S.CER C1608 CH 1H 221J-T | T | 122.3/78.0 |
| C2955 | 4030009990 | S.CER C1608 CH 1H 200J-T | T | 123.6/79.2 |
| C2956 | 4030006880 | S.CER C1608 JB 1H 472K-T | T | 126.2/79.2 |
| C2957 | 4030007090 | S.CER C1608 CH 1H 470J-T | T | 125.6/73.5 |
| C2958 | 4030009920 | S.CER C1608 CH 1H 050B-T | T | 127.7/78.0 |
| C2959 | 4030007110 | S.CER C1608 CH 1H 680J-T | T | 129.2/74.2 |
| C2960 | 4030009530 | S.CER C1608 CH 1H 030B-T | T | 131.0/75.4 |
| C2961 | 4030007110 | S.CER C1608 CH 1H 680J-T | T | 131.8/74.2 |
| C2962 | 4030011770 | S.CER C1608 CH 1H 060B-T | T | 133.3/76.8 |
| C2963 | 4030007090 | S.CER C1608 CH 1H 470J-T | T | 134.4/75.6 |
| C2964 | 4030006880 | S.CER C1608 JB 1H 472K-T | T | 138.6/76.8 |
| C2965 | 4030006880 | S.CER C1608 JB 1H 472K-T | T | 141.7/74.6 |
| C2966 | 4030006880 | S.CER C1608 JB 1H 472K-T | T | 176.8/23.5 |
| C2967 | 4030007130 | S.CER C1608 CH 1H 101J-T | T | 124.9/78.0 |
| C2968 | 4030006880 | S.CER C1608 JB 1H 472K-T | T | 189.1/10.8 |
| C2969 | 4030006860 | S.CER C1608 JB 1H 102K-T | T | 187.9/9.2 |
| C2970 | 4030007130 | S.CER C1608 CH 1H 101J-T | T | 98.1/72.0 |
| C2971 | 4030011600 | S.CER C1608 JB 1E 104K-T | T | 97.9/3.7 |
| C2972 | 4030011600 | S.CER C1608 JB 1E 104K-T | T | 103.7/8.4 |
| C2973 | 4030011600 | S.CER C1608 JB 1E 104K-T | T | 94.5/1.8 |
| C2974 | 4030011600 | S.CER C1608 JB 1E 104K-T | T | 92.6/11.7 |
| C2975 | 4030011600 | S.CER C1608 JB 1E 104K-T | T | 95.2/13.3 |
| C2976 | 4030011600 | S.CER C1608 JB 1E 104K-T | T | 92.6/13.4 |
| C2977 | 4030011600 | S.CER C1608 JB 1E 104K-T | T | 101.3/6.4 |
| C2981 | 4030006880 | S.CER C1608 JB 1H 472K-T | T | 169.3/2.2 |
| C2982 | 4030019090 | S.CER C2012 JB 1C 225M-T | T | 148.4/4.2 |
| C2983 | 4030006880 | S.CER C1608 JB 1H 472K-T | T | 147.0/1.9 |
| C2984 | 4030006880 | S.CER C1608 JB 1H 472K-T | T | 140.5/3.3 |
| C2985 | 4030006860 | S.CER C1608 JB 1H 102K-T | T | 123.1/6.4 |
| C2986 | 4030006860 | S.CER C1608 JB 1H 102K-T | T | 130.5/5.2 |
| C2987 | 4030006860 | S.CER C1608 JB 1H 102K-T | T | 135.1/3.2 |
| C2988 | 4030006860 | S.CER C1608 JB 1H 102K-T | T | 137.8/3.2 |
| C2989 | 4030006880 | S.CER C1608 JB 1H 472K-T | T | 181.9/5.9 |
| C2991 | 4030006880 | S.CER C1608 JB 1H 472K-T | T | 157.4/3.8 |
| C2992 | 4030006880 | S.CER C1608 JB 1H 472K-T | T | 154.8/2.6 |
| C2993 | 4030006880 | S.CER C1608 JB 1H 472K-T | T | 160.3/2.6 |
| C2994 | 4030006880 | S.CER C1608 JB 1H 472K-T | T | 162.9/1.7 |
| C2996 | 4030006880 | S.CER C1608 JB 1H 472K-T | T | 180.5/27.2 |
| C2997 | 4030006880 | S.CER C1608 JB 1H 472K-T | T | 181.7/27.2 |
| C2998 | 4030006880 | S.CER C1608 JB 1H 472K-T | T | 182.9/27.2 |
| C2999 | 4030006880 | S.CER C1608 JB 1H 472K-T | T | 184.1/27.2 |

[MAIN UNIT]

| REF NO. | PARTS NO. | DESCRIPTION | M. | H/V LOCATION |
|---------|------------|-----------------------------|----|--------------|
| C3000 | 4030006880 | S.CER C1608 JB 1H 472K-T | T | 185.3/27.2 |
| C3001 | 4030006880 | S.CER C1608 JB 1H 472K-T | T | 186.5/27.2 |
| C3002 | 4030006880 | S.CER C1608 JB 1H 472K-T | T | 97.1/14.6 |
| C3005 | 4030006880 | S.CER C1608 JB 1H 472K-T | T | 179.0/13.7 |
| C3006 | 4030006880 | S.CER C1608 JB 1H 472K-T | T | 177.2/1.6 |
| C3010 | 4030019490 | S.CER C2012 JB 1A 106K-T | T | 135.9/56.0 |
| C3011 | 4030019490 | S.CER C2012 JB 1A 106K-T | T | 135.6/40.6 |
| C3026 | 4030006880 | S.CER C1608 JB 1H 472K-T | T | 136.6/54.5 |
| C3027 | 4030006880 | S.CER C1608 JB 1H 472K-T | T | 135.2/42.2 |
| C3201 | 4030011600 | S.CER C1608 JB 1E 104K-T | T | 173.4/59.0 |
| C3202 | 4030006880 | S.CER C1608 JB 1H 472K-T | T | 171.8/56.6 |
| C3203 | 4030011600 | S.CER C1608 JB 1E 104K-T | T | 174.4/56.6 |
| C3204 | 4030007040 | S.CER C1608 CH 1H 180J-T | T | 175.4/53.2 |
| C3205 | 4030007040 | S.CER C1608 CH 1H 180J-T | T | 181.8/52.8 |
| C3206 | 4030019490 | S.CER C2012 JB 1A 106K-T | T | 175.9/54.7 |
| C3207 | 4030011600 | S.CER C1608 JB 1E 104K-T | T | 184.4/57.5 |
| C3208 | 4030011600 | S.CER C1608 JB 1E 104K-T | T | 182.0/54.0 |
| C3209 | 4030011600 | S.CER C1608 JB 1E 104K-T | T | 180.6/66.1 |
| C3210 | 4030006880 | S.CER C1608 JB 1H 472K-T | T | 190.0/59.4 |
| C3214 | 4030011600 | S.CER C1608 JB 1E 104K-T | T | 169.1/63.8 |
| C3215 | 4030019490 | S.CER C2012 JB 1A 106K-T | T | 180.8/45.2 |
| C3216 | 4030019490 | S.CER C2012 JB 1A 106K-T | T | 172.9/45.4 |
| C3217 | 4030019490 | S.CER C2012 JB 1A 106K-T | T | 183.6/37.6 |
| C3218 | 4030007040 | S.CER C1608 CH 1H 180J-T | T | 174.0/34.4 |
| C3219 | 4030007040 | S.CER C1608 CH 1H 180J-T | T | 179.2/34.4 |
| C3220 | 4030019490 | S.CER C2012 JB 1A 106K-T | T | 183.6/74.8 |
| C3221 | 4030017490 | S.CER C1608 JB 1A 105K-T | T | 182.5/73.2 |
| C3222 | 4030017490 | S.CER C1608 JB 1A 105K-T | T | 180.1/74.5 |
| C3223 | 4030011600 | S.CER C1608 JB 1E 104K-T | T | 169.7/67.2 |
| C3224 | 4030011600 | S.CER C1608 JB 1E 104K-T | T | 182.2/46.8 |
| C3225 | 4030019490 | S.CER C1608 JB 0J 106M-T | T | 169.6/40.4 |
| C3226 | 4030019490 | S.CER C2012 JB 1A 106K-T | T | 176.2/45.4 |
| C3227 | 4030011600 | S.CER C1608 JB 1E 104K-T | T | 175.9/46.9 |
| C3228 | 4030019460 | S.CER C1608 JB 0J 106M-T | T | 171.4/36.4 |
| C3229 | 4030011600 | S.CER C1608 JB 1E 104K-T | T | 185.7/38.0 |
| C3230 | 4030019490 | S.CER C2012 JB 1A 106K-T | T | 173.5/65.0 |
| C3231 | 4030007090 | S.CER C1608 CH 1H 470J-T | T | 82.8/27.7 |
| C3232 | 4030007090 | S.CER C1608 CH 1H 470J-T | T | 18.8/9.4 |
| C3233 | 4030007090 | S.CER C1608 CH 1H 470J-T | T | 17.7/10.8 |
| C3234 | 4030007090 | S.CER C1608 CH 1H 470J-T | T | 17.7/12.2 |
| C3235 | 4030007090 | S.CER C1608 CH 1H 470J-T | T | 17.7/13.6 |
| C3236 | 4030007090 | S.CER C1608 CH 1H 470J-T | T | 17.7/14.8 |
| C3237 | 4030007150 | S.CER C1608 CH 1H 151J-T | T | 118.0/45.5 |
| C3238 | 4030007150 | S.CER C1608 CH 1H 151J-T | T | 118.0/44.3 |
| C3239 | 4030007150 | S.CER C1608 CH 1H 151J-T | T | 120.3/47.6 |
| C3240 | 4030007150 | S.CER C1608 CH 1H 151J-T | T | 120.3/48.8 |
| C3241 | 4030006880 | S.CER C1608 JB 1H 472K-T | T | 96.6/68.0 |
| C3242 | 4030018970 | S.CER C3225 JB 1C 226MT-N | T | 30.9/76.0 |
| C3243 | 4030011600 | S.CER C1608 JB 1E 104K-T | T | 26.6/99.8 |
| C3244 | 4030011600 | S.CER C1608 JB 1E 104K-T | T | 23.5/99.8 |
| C3245 | 4030018970 | S.CER C3225 JB 1C 226MT-N | T | 19.4/97.6 |
| C3246 | 4030019090 | S.CER C2012 JB 1C 225M-T | T | 21.4/101.3 |
| C3247 | 4030019090 | S.CER C2012 JB 1C 225M-T | T | 28.6/101.3 |
| C3248 | 4030006980 | S.CER C1608 CH 1H 070D-T | T | 131.8/73.0 |
| C3249 | 4030006880 | S.CER C1608 JB 1H 472K-T | T | 20.4/2.3 |
| C3250 | 4030007150 | S.CER C1608 CH 1H 151J-T | T | 165.6/65.3 |
| C3254 | 4030019460 | S.CER C1608 JB 0J 106M-T | T | 184.4/56.3 |
| C3255 | 4030007090 | S.CER C1608 CH 1H 470J-T | T | 141.5/14.3 |
| J1 | 6510024151 | S.CON 50FY-BMT-TB(LF)(SN) | T | 14.1/28.7 |
| J2 | 6510024151 | S.CON 50FY-BMT-TB(LF)(SN) | T | 25.3/28.7 |
| J4 | 6510024151 | S.CON 50FY-BMT-TB(LF)(SN) | T | 172.8/18.0 |
| J5 | 6510024151 | S.CON 50FY-BMT-TB(LF)(SN) | T | 132.9/9.4 |
| J6 | 6510024151 | S.CON 50FY-BMT-TB(LF)(SN) | T | 163.1/9.4 |
| J7 | 6510007020 | CON TMP-J01X-V6 | | |
| J8 | 6450000140 | CON HSJ0807-01-010 | | |
| J9 | 6450000140 | CON HSJ0807-01-010 | | |
| J11 | 6510019971 | S.CON 52808-1071 | T | 89.0/6.7 |
| J1531 | 6510025840 | S.CON AXN316C038P | T | 38.3/38.4 |
| J3201 | 6510026540 | CON UBB-4R-D14T-4D(LF)(SN) | | |
| J3203 | 6510014961 | S.CON B2B-ZR-SM4-TF(LF)(SN) | T | 161.9/82.9 |
| EP1 | 6910018930 | S.BEA MPZ2012S601A | T | 192.3/86.5 |
| EP2 | 6910012350 | S.BEA MMZ1608Y 102BT | T | 186.4/71.8 |
| EP3 | 6910012350 | S.BEA MMZ1608Y 102BT | T | 192.9/73.0 |
| EP5 | 6910012350 | S.BEA MMZ1608Y 102BT | T | 195.3/86.7 |
| EP6 | 6910012350 | S.BEA MMZ1608Y 102BT | T | 195. |

[MAIN UNIT]

| REF NO. | PARTS NO. | DESCRIPTION | M. | H/V LOCATION |
|---------|------------|----------------------|----|--------------|
| EP1551 | 6910012350 | S.BEA MMZ1608Y 102BT | T | 43.6/34.0 |
| EP2091 | 6910012350 | S.BEA MMZ1608Y 102BT | T | 80.2/69.5 |
| EP2151 | 6910012350 | S.BEA MMZ1608Y 102BT | T | 45.2/78.0 |
| EP2501 | 6910012350 | S.BEA MMZ1608Y 102BT | T | 57.1/82.0 |
| EP2502 | 6910012350 | S.BEA MMZ1608Y 102BT | T | 38.2/80.4 |
| EP2541 | 6910012350 | S.BEA MMZ1608Y 102BT | T | 37.9/84.6 |
| EP2542 | 6910012350 | S.BEA MMZ1608Y 102BT | T | 36.1/85.1 |
| EP2544 | 6910012350 | S.BEA MMZ1608Y 102BT | T | 37.9/85.8 |
| EP2561 | 6910002161 | CAS CASE-BM7H-LF | | |
| EP2566 | 6910002161 | CAS CASE-BM7H-LF | | |
| EP2601 | 6910012350 | S.BEA MMZ1608Y 102BT | T | 99.8/90.5 |
| EP2602 | 6910019200 | S.BEA N2012ZPS121T50 | T | 171.1/22.1 |
| EP2603 | 6910012350 | S.BEA MMZ1608Y 102BT | T | 178.1/23.5 |
| EP2605 | 6910018930 | S.BEA MPZ2012S601A | T | 133.4/5.2 |
| EP2607 | 6910018930 | S.BEA MPZ2012S601A | T | 140.1/5.2 |
| EP2608 | 6910018930 | S.BEA MPZ2012S601A | T | 8.7/27.6 |
| EP2609 | 6910012350 | S.BEA MMZ1608Y 102BT | T | 9.1/26.0 |
| EP2610 | 6910018930 | S.BEA MPZ2012S601A | T | 9.0/29.6 |
| EP2611 | 6910019200 | S.BEA N2012ZPS121T50 | T | 127.0/6.1 |
| EP2612 | 6910018930 | S.BEA MPZ2012S601A | T | 8.9/22.7 |
| EP2613 | 6910018930 | S.BEA MPZ2012S601A | T | 165.1/86.3 |
| EP2614 | 6910018930 | S.BEA MPZ2012S601A | T | 159.7/86.8 |
| EP2615 | 6910018930 | S.BEA MPZ2012S601A | T | 9.7/24.5 |
| EP2618 | 6910012350 | S.BEA MMZ1608Y 102BT | T | 169.3/3.4 |
| EP2619 | 6910012350 | S.BEA MMZ1608Y 102BT | T | 181.1/15.7 |
| EP2620 | 6910012350 | S.BEA MMZ1608Y 102BT | T | 177.2/15.7 |
| EP2621 | 6910012350 | S.BEA MMZ1608Y 102BT | T | 184.5/5.9 |
| EP2622 | 6910018930 | S.BEA MPZ2012S601A | T | 171.8/12.8 |
| EP2627 | 6910012350 | S.BEA MMZ1608Y 102BT | T | 162.9/2.9 |
| EP2628 | 6910012350 | S.BEA MMZ1608Y 102BT | T | 160.3/3.8 |
| EP2629 | 6910012350 | S.BEA MMZ1608Y 102BT | T | 157.4/2.6 |
| EP2630 | 6910012350 | S.BEA MMZ1608Y 102BT | T | 157.4/5.0 |
| EP2633 | 6910012350 | S.BEA MMZ1608Y 102BT | T | 185.3/23.5 |
| EP2634 | 6910012350 | S.BEA MMZ1608Y 102BT | T | 184.1/23.5 |
| EP2635 | 6910012350 | S.BEA MMZ1608Y 102BT | T | 182.9/23.5 |
| EP2636 | 6910012350 | S.BEA MMZ1608Y 102BT | T | 181.7/23.5 |
| EP2637 | 6910012350 | S.BEA MMZ1608Y 102BT | T | 180.5/23.5 |
| EP2638 | 6910012350 | S.BEA MMZ1608Y 102BT | T | 186.5/23.5 |
| EP2641 | 6910012350 | S.BEA MMZ1608Y 102BT | T | 133.0/56.0 |
| EP2642 | 6910012350 | S.BEA MMZ1608Y 102BT | T | 137.8/44.1 |
| EP2643 | 6910012350 | S.BEA MMZ1608Y 102BT | T | 24.1/79.3 |
| EP2646 | 6910018930 | S.BEA MPZ2012S601A | T | 9.0/31.4 |
| EP2970 | 6910012350 | S.BEA MMZ1608Y 102BT | T | 93.5/67.6 |
| EP2971 | 6910012350 | S.BEA MMZ1608Y 102BT | T | 92.6/10.5 |
| EP2972 | 6910012350 | S.BEA MMZ1608Y 102BT | T | 96.1/11.6 |
| EP3201 | 6910012350 | S.BEA MMZ1608Y 102BT | T | 185.2/60.5 |
| EP3202 | 6910012350 | S.BEA MMZ1608Y 102BT | T | 183.7/44.9 |
| EP3203 | 6910012350 | S.BEA MMZ1608Y 102BT | T | 182.4/72.0 |
| EP3204 | 6910012350 | S.BEA MMZ1608Y 102BT | T | 179.5/75.7 |
| EP3205 | 6910012350 | S.BEA MMZ1608Y 102BT | T | 185.7/36.8 |
| EP3206 | 6910012350 | S.BEA MMZ1608Y 102BT | T | 184.2/48.3 |
| EP3207 | 6910012350 | S.BEA MMZ1608Y 102BT | T | 190.3/53.6 |
| EP3208 | 6910012350 | S.BEA MMZ1608Y 102BT | T | 172.2/75.2 |
| EP3241 | 6910012350 | S.BEA MMZ1608Y 102BT | T | 166.8/35.8 |
| EP3242 | 6910012350 | S.BEA MMZ1608Y 102BT | T | 165.6/33.2 |

[RF UNIT]

| REF NO. | PARTS NO. | DESCRIPTION | M. | H/V LOCATION |
|---------|------------|--------------------------|----|--------------|
| IC141 | 1130011760 | S.IC CD4094BPWR | T | 13.7/15.8 |
| IC142 | 1130011760 | S.IC CD4094BPWR | T | 14.1/29.6 |
| IC181 | 1110006870 | S.IC UPC2709TB-E3 | T | 57.8/60.5 |
| IC462 | 1110004050 | S.IC NJM3404AV-TE1-#FMZB | T | 4.8/37.9 |
| IC463 | 1110004050 | S.IC NJM3404AV-TE1-#FMZB | T | 14.6/47.8 |
| IC464 | 1110004050 | S.IC NJM3404AV-TE1-#FMZB | T | 6.0/14.4 |
| Q12 | 1590000680 | S.TRA DTC114EUA T106 | T | 55.5/16.5 |
| Q141 | 1590001960 | S.TRA XP4311(TX) | T | 19.7/54.9 |
| Q142 | 1590001960 | S.TRA XP4311(TX) | T | 19.9/48.7 |
| Q143 | 1590001960 | S.TRA XP4311(TX) | T | 19.8/42.3 |
| Q144 | 1590001960 | S.TRA XP4311(TX) | T | 18.3/36.1 |
| Q145 | 1590001960 | S.TRA XP4311(TX) | T | 20.0/30.4 |
| Q146 | 1590001960 | S.TRA XP4311(TX) | T | 19.7/24.7 |
| Q147 | 1590001960 | S.TRA XP4311(TX) | T | 19.0/19.5 |
| Q148 | 1590001960 | S.TRA XP4311(TX) | T | 19.1/13.4 |
| Q155 | 1590001960 | S.TRA XP4311(TX) | T | 60.6/28.6 |
| Q156 | 1590001960 | S.TRA XP4311(TX) | T | 19.8/60.0 |
| Q157 | 1590001960 | S.TRA XP4311(TX) | T | 21.3/64.2 |
| Q161 | 1530003091 | S.TRA 2SC4213-B(TE85RF) | T | 57.2/43.9 |
| Q380 | 1530003851 | S.TRA 2SC5551F-TD-E | T | 41.6/70.9 |
| Q441 | 1530003851 | S.TRA 2SC5551F-TD-E | T | 7.5/64.2 |
| Q442 | 1590001960 | S.TRA XP4311(TX) | T | 6.7/55.2 |
| Q443 | 1590001960 | S.TRA XP4311(TX) | T | 9.3/55.0 |
| Q461 | 1510000510 | S.TRA 2SA1576A T106R | T | 4.6/26.1 |
| Q462 | 1590001050 | S.TRA DTC114TUA T106 | T | 10.6/47.6 |
| Q463 | 1590000680 | S.TRA DTC114EUA T106 | T | 10.3/40.9 |
| Q464 | 1590000720 | S.TRA DTA144EUA T106 | T | 8.8/45.9 |
| Q480 | 1530003091 | S.TRA 2SC4213-B(TE85RF) | T | 2.3/23.3 |
| Q501 | 1540000550 | S.TRA 2SD1664 T100Q | T | 55.3/84.8 |
| Q503 | 1590001960 | S.TRA XP4311(TX) | T | 63.4/44.7 |
| D1 | 1790000971 | S.DIO MA2J7290GL | T | 68.7/8.4 |
| D2 | 1790000971 | S.DIO MA2J7290GL | T | 70.5/8.4 |
| D3 | 1790001251 | S.DIO MA2S1110GL | T | 50.4/16.9 |
| D141 | 1790001251 | S.DIO MA2S1110GL | T | 13.7/21.2 |
| D142 | 1790001251 | S.DIO MA2S1110GL | T | 12.5/21.2 |
| D143 | 1790001251 | S.DIO MA2S1110GL | T | 14.3/10.7 |
| D144 | 1790001251 | S.DIO MA2S1110GL | T | 13.1/10.7 |
| D145 | 1790001251 | S.DIO MA2S1110GL | T | 15.2/24.1 |
| D146 | 1790001251 | S.DIO MA2S1110GL | T | 14.0/24.4 |
| D164 | 1790001621 | S.DIO 1SV308(TPL3F) | T | 52.2/31.7 |
| D165 | 1790001621 | S.DIO 1SV308(TPL3F) | T | 57.4/35.7 |
| D167 | 1790001621 | S.DIO 1SV308(TPL3F) | T | 55.0/48.8 |
| D168 | 1790001621 | S.DIO 1SV308(TPL3F) | T | 55.3/43.9 |
| D181 | 1790001251 | S.DIO MA2S1110GL | T | 56.6/56.6 |
| D182 | 1790001251 | S.DIO MA2S1110GL | T | 56.6/55.4 |
| D201 | 1790001621 | S.DIO 1SV308(TPL3F) | T | 53.3/44.2 |
| D221 | 1790001621 | S.DIO 1SV308(TPL3F) | T | 22.8/13.1 |
| D222 | 1790001621 | S.DIO 1SV308(TPL3F) | T | 37.8/15.0 |
| D241 | 1790001621 | S.DIO 1SV308(TPL3F) | T | 22.8/22.1 |
| D242 | 1790001621 | S.DIO 1SV308(TPL3F) | T | 39.2/21.9 |
| D261 | 1790001621 | S.DIO 1SV308(TPL3F) | T | 34.2/27.9 |
| D262 | 1790001621 | S.DIO 1SV308(TPL3F) | T | 22.9/27.1 |
| D281 | 1790001621 | S.DIO 1SV308(TPL3F) | T | 41.0/34.0 |
| D282 | 1790001621 | S.DIO 1SV308(TPL3F) | T | 23.0/33.7 |
| D301 | 1790001621 | S.DIO 1SV308(TPL3F) | T | 41.0/40.1 |
| D302 | 1790001621 | S.DIO 1SV308(TPL3F) | T | 23.0/39.8 |
| D321 | 1790001621 | S.DIO 1SV308(TPL3F) | T | 40.9/46.2 |
| D322 | 1790001621 | S.DIO 1SV308(TPL3F) | T | 23.0/45.9 |
| D341 | 1790001621 | S.DIO 1SV308(TPL3F) | T | 40.9/52.3 |
| D342 | 1790001621 | S.DIO 1SV308(TPL3F) | T | 23.0/52.0 |
| D361 | 1790001621 | S.DIO 1SV308(TPL3F) | T | 44.4/57.2 |
| D362 | 1790001621 | S.DIO 1SV308(TPL3F) | T | 23.0/58.1 |
| D381 | 1790001621 | S.DIO 1SV308(TPL3F) | T | 27.6/70.4 |
| D382 | 1790001621 | S.DIO 1SV308(TPL3F) | T | 49.3/65.3 |
| D401 | 1790001621 | S.DIO 1SV308(TPL3F) | T | 49.3/64.1 |
| D402 | 1790001621 | S.DIO 1SV308(TPL3F) | T | 26.3/61.0 |
| D441 | 1790001621 | S.DIO 1SV308(TPL3F) | T | 14.1/63.7 |
| D442 | 1790001621 | S.DIO 1SV308(TPL3F) | T | 17.4/72.6 |
| D443 | 1790001621 | S.DIO 1SV308(TPL3F) | T | 14.1/64.9 |
| D444 | 1790001621 | S.DIO 1SV308(TPL3F) | T | 14.9/72.6 |
| D461 | 1790001251 | S.DIO MA2S1110GL | T | 8.6/43.2 |
| D462 | 1790001251 | S.DIO MA2S1110GL | T | 8.6/30.4 |
| D463 | 1790001251 | S.DIO MA2S1110GL | T | 10.5/44.2 |
| D464 | 1790001251 | S.DIO MA2S1110GL | T | 7.5/51.1 |
| D465 | 1790001241 | S.DIO MA2S7280GL | T | 9.7/37.3 |
| D471 | 1790001241 | S.DIO MA2S7280GL | T | 13.5/40.7 |
| D491 | 1790001241 | S.DIO MA2S7280GL | T | 16.4/42.1 |
| D494 | 1790001251 | S.DIO MA2S1110GL | T | 7.4/22.8 |
| D495 | 1790001251 | S.DIO MA2S1110GL | T | 7.4/24.0 |
| D501 | 1790001251 | S.DIO MA2S1110GL | T | 66.8/43.4 |
| D502 | 1790001331 | S.ZEN MAZ8036GLL | T | 10.3/25.8 |
| D503 | 1790001251 | S.DIO MA2S1110GL | T | 8.3/26.4 |
| D504 | 1790001251 | S.DIO MA2S1110GL | T | 8.3/25.2 |
| D505 | 1790001621 | S.DIO 1SV308(TPL3F) | T | 55.8/41.5 |
| L1 | 6140004721 | COI LR-532A | | |
| L2 | 6200002041 | S.COI NLV25T-101J | B | 80.85/45.95 |
| L3 | 6200002041 | S.COI NLV25T-101J | B | 69.6/36.3 |
| L4 | 6200002041 | S.COI NLV25T-101J | T | 50.7/18.8 |
| L161 | 6200011410 | S.COI C2520C-82NG-A | T | 48.1/23.3 |
| L163 | 6200002041 | S.COI NLV25T-101J | T | 51.7/26.7 |
| L167 | 6200002041 | S.COI NLV25T-101J | T | 58.2/46.8 |
| L168 | 6200002041 | S.COI NLV25T-101J | T | 57.4/49.6 |

M.=Mounted side (T: Mounted on the Top side, B: Mounted on the Bottom side)
S.=Surface mount

[RF UNIT]

| REF NO. | PARTS NO. | DESCRIPTION | M. | H/V LOCATION |
|---------|------------|-----------------------------|----|--------------|
| L169 | 6200010660 | S.COI C2520C-R15G-A (0.15U) | T | 44.8/18.3 |
| L170 | 6200002041 | S.COI NLV25T-101J | T | 55.7/27.8 |
| L181 | 6200005011 | S.COI NLV25T-100J | T | 60.4/59.3 |
| L183 | 6200005011 | S.COI NLV25T-100J | T | 44.8/78.6 |
| L201 | 6200005491 | S.COI NLV32T-331J | T | 52.6/48.6 |
| L202 | 6200002961 | S.COI NLV32T-4R7J | T | 49.1/47.9 |
| L203 | 6200003321 | S.COI NLV32T-3R3J | T | 45.7/49.8 |
| L204 | 6200003261 | S.COI NLV32T-620J | T | 51.1/42.2 |
| L205 | 6200003261 | S.COI NLV32T-101J | T | 45.9/42.2 |
| L221 | 6200001851 | S.COI NLV32T-5R6J | T | 29.5/13.6 |
| L222 | 6200003111 | S.COI NLV32T-6R8J | T | 25.9/14.6 |
| L241 | 6200002041 | S.COI NLV25T-101J | T | 39.4/19.9 |
| L242 | 6200003091 | S.COI NLV32T-2R7J | T | 35.0/20.8 |
| L243 | 6200003101 | S.COI NLV32T-3R9J | T | 31.6/21.4 |
| L244 | 6200002961 | S.COI NLV32T-4R7J | T | 28.2/19.5 |
| L245 | 6200001851 | S.COI NLV32T-5R6J | T | 24.5/19.9 |
| L261 | 6200002041 | S.COI NLV25T-101J | T | 34.2/26.0 |
| L262 | 6200002991 | S.COI NLV32T-2R2J | T | 31.1/26.3 |
| L263 | 6200002991 | S.COI NLV32T-2R2J | T | 26.2/27.1 |
| L281 | 6200002041 | S.COI NLV25T-101J | T | 40.3/31.8 |
| L282 | 6200003051 | S.COI NLV32T-F82J | T | 37.2/32.9 |
| L283 | 6200003061 | S.COI NLV32T-1R2J | T | 32.4/32.3 |
| L284 | 6200003081 | S.COI NLV32T-1R8J | T | 29.0/30.4 |
| L285 | 6200003071 | S.COI NLV32T-1R5J | T | 25.6/32.3 |
| L291 | 6200011410 | S.COI C2520C-82NG-A | T | 21.2/36.7 |
| L301 | 6200002041 | S.COI NLV25T-101J | T | 40.3/37.9 |
| L302 | 6200003061 | S.COI NLV32T-1R2J | T | 37.2/39.0 |
| L303 | 6200003331 | S.COI NLV32T-1R0J | T | 32.4/38.4 |
| L304 | 6200003051 | S.COI NLV32T-F82J | T | 29.0/36.5 |
| L305 | 6200003061 | S.COI NLV32T-1R2J | T | 25.6/38.4 |
| L321 | 6200002041 | S.COI NLV25T-101J | T | 40.3/44.0 |
| L322 | 6200003031 | S.COI NLV32T-F47J | T | 37.2/45.1 |
| L323 | 6200002981 | S.COI NLV32T-F56J | T | 32.4/44.5 |
| L324 | 6200003041 | S.COI NLV32T-F68J | T | 29.0/42.6 |
| L325 | 6200003051 | S.COI NLV32T-R82J | T | 25.6/44.5 |
| L341 | 6200002041 | S.COI NLV25T-101J | T | 40.3/50.1 |
| L342 | 6200003251 | S.COI NLV32T-R39J | T | 37.2/51.2 |
| L343 | 6200003251 | S.COI NLV32T-R39J | T | 32.4/50.6 |
| L344 | 6200003031 | S.COI NLV32T-R47J | T | 29.0/48.7 |
| L345 | 6200002981 | S.COI NLV32T-F56J | T | 25.6/50.6 |
| L361 | 6200002041 | S.COI NLV25T-101J | T | 40.7/56.5 |
| L362 | 6200010740 | S.COI C2520C-R27G-A | T | 37.4/57.3 |
| L363 | 6200010740 | S.COI C2520C-R27G-A | T | 32.5/56.7 |
| L364 | 6200010870 | S.COI C2520C-R33G-A (0.33U) | T | 29.1/54.8 |
| L365 | 6200011450 | S.COI C2520C-R39G-A | T | 25.7/56.8 |
| L381 | 6200003001 | S.COI NLV32T-R22J | T | 45.6/68.3 |
| L382 | 6200003251 | S.COI NLV32T-R39J | T | 49.9/67.5 |
| L383 | 6200005011 | S.COI NLV25T-100J | T | 30.7/72.9 |
| L384 | 6200002041 | S.COI NLV25T-101J | T | 40.1/66.5 |
| L385 | 6140004601 | S.COI LR-518A | T | 35.5/71.0 |
| L386 | 6200002041 | S.COI NLV25T-101J | T | 27.8/68.5 |
| L401 | 6200003011 | S.COI NLV32T-R27J | T | 43.8/62.0 |
| L402 | 6200003421 | S.COI NLV32T-R15J | T | 47.2/61.1 |
| L403 | 6180002961 | S.COI NLV32T-R18J | T | 40.4/61.6 |
| L404 | 6200003421 | S.COI NLV32T-R15J | T | 37.0/63.6 |
| L405 | 6200001471 | S.COI NLV32T-R12J | T | 32.0/65.1 |
| L406 | 6200001471 | S.COI NLV32T-R12J | T | 27.1/63.8 |
| L421 | 6200005491 | S.COI NLV32T-331J | T | 24.3/8.5 |
| L441 | 6200002041 | S.COI NLV25T-101J | T | 18.3/63.4 |
| L442 | 6200002041 | S.COI NLV25T-101J | T | 11.5/64.4 |
| L443 | 6200002041 | S.COI NLV25T-101J | T | 14.1/66.8 |
| L444 | 6140004591 | S.COI LR-517A | T | 6.6/71.7 |
| L445 | 6200002041 | S.COI NLV25T-101J | T | 11.2/70.4 |
| L446 | 6200002041 | S.COI NLV25T-101J | T | 11.2/74.0 |
| L447 | 6200002041 | S.COI NLV25T-101J | T | 14.5/61.1 |
| L448 | 6200002041 | S.COI NLV25T-101J | T | 20.1/74.9 |
| L449 | 6200010650 | S.COI C2520C-R12G-A (0.12U) | T | 8.3/76.8 |
| L450 | 6200010660 | S.COI C2520C-R15G-A (0.15U) | T | 19.2/70.0 |
| L501 | 6200005011 | S.COI NLV25T-100J | T | 63.2/40.3 |
| L502 | 6200005011 | S.COI NLV25T-100J | T | 65.6/75.4 |
| L505 | 6200005011 | S.COI NLV25T-100J | T | 65.5/71.0 |
| L506 | 6200005011 | S.COI NLV25T-100J | T | 61.2/68.3 |
| L507 | 6200002041 | S.COI NLV25T-101J | T | 78.0/91.8 |
| L508 | 6200005011 | S.COI NLV25T-100J | T | 73.1/91.7 |
| L509 | 6200005011 | S.COI NLV25T-100J | T | 69.5/92.2 |
| L510 | 6200002041 | S.COI NLV25T-101J | T | 66.2/89.8 |
| L511 | 6200002041 | S.COI NLV25T-101J | T | 65.8/81.9 |
| L512 | 6200002041 | S.COI NLV25T-101J | T | 56.3/38.3 |
| R1 | 7540000250 | ABS SA05C 401N | | |
| R2 | 7030003590 | S.RES ERJ3GEYJ 183 V (18K) | T | 79.6/14.9 |
| R3 | 7030008190 | S.RES ERJ12YJ330U (33) | T | 69.6/5.1 |
| R4 | 7030003560 | S.RES ERJ3GEYJ 103 V (10K) | T | 66.1/8.7 |
| R5 | 7030003560 | S.RES ERJ3GEYJ 103 V (10K) | T | 73.0/17.8 |
| R6 | 7030003860 | S.RES ERJ3GE JPW V | T | 66.1/11.1 |
| R7 | 7030003860 | S.RES ERJ3GE JPW V | T | 73.0/11.1 |
| R8 | 7030003640 | S.RES ERJ3GEYJ 473 V (47K) | T | 68.7/11.8 |
| R9 | 7030003640 | S.RES ERJ3GEYJ 473 V (47K) | T | 70.5/11.8 |
| R10 | 7030003580 | S.RES ERJ3GEYJ 153 V (15K) | T | 79.6/17.5 |
| R161 | 7030003560 | S.RES ERJ3GEYJ 103 V (10K) | T | 57.4/40.2 |
| R163 | 7030003400 | S.RES ERJ3GEYJ 471 V (47K) | T | 50.6/29.1 |
| R164 | 7030003290 | S.RES ERJ3GEYJ 560 V (56) | T | 56.1/35.7 |
| R165 | 7030003400 | S.RES ERJ3GEYJ 471 V (47K) | T | 57.4/33.0 |
| R166 | 7030003440 | S.RES ERJ3GEYJ 102 V (1K) | T | 55.7/47.0 |
| R167 | 7030003400 | S.RES ERJ3GEYJ 471 V (47K) | T | 56.1/33.0 |
| R168 | 7030003400 | S.RES ERJ3GEYJ 471 V (47K) | T | 54.9/33.0 |
| R169 | 7030003680 | S.RES ERJ3GEYJ 104 V (100K) | T | 58.9/26.5 |
| R181 | 7030003370 | S.RES ERJ3GEYJ 271 V (270) | T | 54.1/66.0 |
| R182 | 7030003320 | S.RES ERJ3GEYJ 180 V (18) | T | 56.7/66.0 |
| R183 | 7030003370 | S.RES ERJ3GEYJ 271 V (270) | T | 56.7/63.6 |
| R184 | 7030003320 | S.RES ERJ3GEYJ 150 V (15) | T | 61.0/56.2 |
| R185 | 7030003370 | S.RES ERJ3GEYJ 271 V (270) | T | 56.6/54.0 |
| R186 | 7030003320 | S.RES ERJ3GEYJ 180 V (18) | T | 56.6/52.7 |
| R187 | 7030003370 | S.RES ERJ3GEYJ 271 V (270) | T | 59.6/52.7 |
| R189 | 7030000010 | S.RES MCR10EZJH JPW (000) | T | 60.5/63.2 |
| R201 | 7030003400 | S.RES ERJ3GEYJ 471 V (47K) | T | 52.0/45.7 |
| R221 | 7030003240 | S.RES ERJ3GEYJ 220 V (22) | T | 35.2/15.0 |
| R222 | 7030003280 | S.RES ERJ3GEYJ 470 V (47) | T | 33.0/14.1 |
| R223 | 7030003240 | S.RES ERJ3GEYJ 220 V (22) | T | 31.7/14.1 |
| R224 | 7030003320 | S.RES ERJ3GEYJ 101 V (100) | T | 36.9/13.6 |
| R225 | 7030003320 | S.RES ERJ3GEYJ 101 V (100) | T | 36.9/12.4 |
| R241 | 7030003320 | S.RES ERJ3GEYJ 101 V (100) | T | 38.0/18.0 |
| R242 | 7030003320 | S.RES ERJ3GEYJ 101 V (100) | T | 23.1/17.3 |
| R261 | 7030003320 | S.RES ERJ3GEYJ 101 V (100) | T | 37.3/24.1 |
| R262 | 7030003320 | S.RES ERJ3GEYJ 101 V (100) | T | 37.3/25.3 |
| R281 | 7030003320 | S.RES ERJ3GEYJ 101 V (100) | T | 39.5/29.5 |
| R282 | 7030003320 | S.RES ERJ3GEYJ 101 V (100) | T | 23.4/30.1 |
| R301 | 7030003320 | S.RES ERJ3GEYJ 101 V (100) | T | 39.6/35.6 |
| R302 | 7030003320 | S.RES ERJ3GEYJ 101 V (100) | T | 23.4/37.6 |
| R321 | 7030003320 | S.RES ERJ3GEYJ 101 V (100) | T | 39.5/41.7 |
| R322 | 7030003320 | S.RES ERJ3GEYJ 101 V (100) | T | 23.4/43.7 |
| R341 | 7030003320 | S.RES ERJ3GEYJ 101 V (100) | T | 39.6/47.8 |
| R342 | 7030003320 | S.RES ERJ3GEYJ 101 V (100) | T | 23.4/49.5 |
| R361 | 7030003320 | S.RES ERJ3GEYJ 101 V (100) | T | 41.8/53.9 |
| R362 | 7030003320 | S.RES ERJ3GEYJ 101 V (100) | T | 23.4/55.7 |
| R381 | 7030003320 | S.RES ERJ3GEYJ 101 V (100) | T | 31.5/75.3 |
| R382 | 7030003320 | S.RES ERJ3GEYJ 101 V (100) | T | 49.6/73.8 |
| R383 | 7030003280 | S.RES ERJ3GEYJ 470 V (47) | T | 36.0/67.4 |
| R384 | 7030003440 | S.RES ERJ3GEYJ 102 V (1K) | T | 44.8/71.9 |
| R385 | 7030003490 | S.RES ERJ3GEYJ 272 V (2.7K) | T | 47.2/71.9 |
| R401 | 7030003320 | S.RES ERJ3GEYJ 101 V (100) | T | 40.1/59.5 |
| R402 | 7030003320 | S.RES ERJ3GEYJ 101 V (100) | T | 48.1/58.9 |
| R421 | 7030003640 | S.RES ERJ3GEYJ 473 V (47K) | T | 39.8/13.6 |
| R422 | 7030003640 | S.RES ERJ3GEYJ 473 V (47K) | T | 35.1/17.1 |
| R423 | 7030003640 | S.RES ERJ3GEYJ 473 V (47K) | T | 40.0/24.1 |
| R424 | 7030003640 | S.RES ERJ3GEYJ 473 V (47K) | T | 37.0/30.3 |
| R425 | 7030003640 | S.RES ERJ3GEYJ 473 V (47K) | T | 37.0/36.4 |
| R426 | 7030003640 | S.RES ERJ3GEYJ 473 V (47K) | T | 37.2/42.4 |
| R427 | 7030003640 | S.RES ERJ3GEYJ 473 V (47K) | T | 37.0/48.6 |
| R428 | 7030003640 | S.RES ERJ3GEYJ 473 V (47K) | T | 37.8/53.9 |
| R429 | 7030003640 | S.RES ERJ3GEYJ 473 V (47K) | T | 34.2/75.3 |
| R430 | 7030003640 | S.RES ERJ3GEYJ 473 V (47K) | T | 48.1/57.7 |
| R431 | 7030003400 | S.RES ERJ3GEYJ 471 V (470) | T | 22.9/11.1 |
| R441 | 7030003400 | S.RES ERJ3GEYJ 471 V (470) | T | 16.0/64.2 |
| R442 | 7030003370 | S.RES ERJ3GEYJ 271 V (270) | T | 14.8/56.4 |
| R443 | 7030003440 | S.RES ERJ3GEYJ 102 V (1K) | T | 17.4/73.9 |
| R444 | 7030003560 | S.RES ERJ3GEYJ 103 V (10K) | T | 12.7/57.2 |
| R445 | 7030003280 | S.RES ERJ3GEYJ 470 V (47) | T | 16.4/66.9 |
| R446 | 7030003320 | S.RES ERJ3GEYJ 101 V (100) | T | 7.2/67.4 |
| R447 | 7030003440 | S.RES ERJ3GEYJ 102 V (1K) | T | 6.9/60.5 |
| R448 | 7030003320 | S.RES ERJ3GEYJ 101 V (100) | T | 4.5/66.6 |
| R449 | 7030003480 | S.RES ERJ3GEYJ 222 V (2.2K) | T | 9.3/60.5 |
| R450 | 7030003370 | S.RES ERJ3GEYJ 271 V (270) | T | 11.4/60.5 |
| R460 | 7030003740 | S.RES ERJ3GEYJ 334 V (330K) | T | 7.9/39.2 |
| R462 | 7030003720 | S.RES ERJ3GEYJ 224 V (220K) | T | 2.6/42.9 |
| R463 | 7030003680 | S.RES ERJ3GEYJ 104 V (100K) | T | 7.9/38.0 |
| R464 | 7030003840 | S.RES ERJ3GEYJ 225 V (2.2M) | T | 5.2/42.3 |
| R465 | 7030003380 | S.RES ERJ3GEYJ 331 V (330) | T | 7.8/42.0 |
| R466 | 7030003680 | S.RES ERJ3GEYJ 104 V (100K) | T | 3.9/31.8 |
| R467 | 7030003840 | S.RES ERJ3GEYJ 225 V (2.2M) | T | 4.4/33.4 |
| R468 | 7030003720 | S.RES ERJ3GEYJ 224 V (220K) | T | 1.9/33.3 |
| R469 | 7030003590 | S.RES ERJ3GEYJ 183 V (18K) | T | 1.9/35.9 |
| R470 | 7030003400 | S.RES ERJ3GEYJ 471 V (470) | T | 7.4/32.6 |
| R472 | 7030003600 | S.RES ERJ3GEYJ 223 V (22K) | T | 6.5/31.4 |
| R475 | 7030003860 | S.RES ERJ3GE JPW V | T | 16.4/43.2 |
| R476 | 7030003580 | S.RES ERJ3GEYJ 153 V (15K) | T | 13.8/43.2 |
| R477 | 7030003400 | S.RES ERJ3GEYJ 471 V (470) | T | 11.2/42.9 |
| R478 | 7030003440 | S.RES ERJ3GEYJ 102 V (1K) | T | 5.9/28.1 |
| R479 | 7030003680 | S.RES ERJ3GEYJ 104 V (100K) | T | 6.5/25.8 |
| R480 | 7030003860 | S.RES ERJ3GE JPW V | T | 6.4/29.7 |
| R482 | 7030003560 | S.RES ERJ3GEYJ 103 V (10K) | T | 1.9/41.1 |
| R483 | 7030003320 | S.RES ERJ3GEYJ 101 V (100) | T | 7.3/33.8 |
| R484 | 7030003820 | S.RES ERJ3GEYJ 155 V (1.5M) | T | 11.6/45.4 |
| R485 | 7030003840 | S.RES ERJ3GEYJ 225 V (2.2M) | T | 14.8/52.4 |
| R486 | 7030003770 | S.RES ERJ3GEYJ 564 V (560K) | T | 16.7/53.1 |
| R487 | 7030003760 | S.RES ERJ3GEYJ 474 V (470K) | T | 17.6/50.0 |
| R488 | 7030003500 | S.RES ERJ3GEYJ 332 V (3.3K) | T | 12.0/52.4 |
| R489 | 7030003520 | S.RES ERJ3GEYJ 472 V (4.7K) | T | 4.7/57.8 |
| R490 | 7030003640 | S.RES ERJ3GEYJ 473 V (47K) | T | 16.2/40.2 |
| R492 | 7030003740 | S.RES ERJ3GEYJ 334 V (330K) | T | 6.2/52.5 |
| R494 | 7030003440 | S.RES ERJ3GEYJ 102 V (1K) | T | 2.4/21.3 |
| R495 | 7030003560 | S.RES ERJ3GEYJ 103 V (10K) | T | 5.5/22.9 |
| R496 | 7030003600 | S.RES ERJ3GEYJ 223 V (22K) | T | 1.9/38.5 |
| R501 | 7030003320 | S.RES ERJ3GEYJ 101 V (100) | T | 3.5/18.8 |
| R502 | 7030003680 | S.RES ERJ3GEYJ 104 V (100K) | T | 6.6/19.6 |
| R503 | 7030003700 | S.RES ERJ3GEYJ 154 V (150K) | T | 8.4/17.5 |
| R504 | 7030003700 | S.RES ERJ3GEYJ 154 V | | |

[RF UNIT]

| REF NO. | PARTS NO. | DESCRIPTION | M. | H/V LOCATION |
|---------|------------|---------------------------------------|----|--------------|
| R517 | 7030003360 | S.RES ERJ3GEYJ 221 V (220) | T | 59.6/84.1 |
| R519 | 7030003320 | S.RES ERJ3GEYJ 101 V (100) | T | 10.8/50.0 |
| R520 | 7030003320 | S.RES ERJ3GEYJ 101 V (100) | T | 44.1/85.8 |
| R521 | 7030003320 | S.RES ERJ3GEYJ 101 V (100) | T | 41.0/85.8 |
| R522 | 7030003320 | S.RES ERJ3GEYJ 101 V (100) | T | 38.6/85.8 |
| R523 | 7030003320 | S.RES ERJ3GEYJ 101 V (100) | T | 36.2/85.8 |
| R525 | 7030003560 | S.RES ERJ3GEYJ 103 V (10K) | T | 8.6/28.1 |
| R527 | 7030003440 | S.RES ERJ3GEYJ 102 V (1K) | T | 59.7/42.1 |
| R528 | 7030003560 | S.RES ERJ3GEYJ 103 V (10K) | T | 59.7/43.3 |
| R529 | 7030009830 | S.RES ERJ12YJ391U (390) | T | 61.1/37.2 |
| R530 | 7030003390 | S.RES ERJ3GEYJ 391 V (390) | T | 60.5/49.6 |
| R531 | 7030003360 | S.RES ERJ3GEYJ 221 V (220) | T | 5.4/19.6 |
| R532 | 7030003640 | S.RES ERJ3GEYJ 473 V (47K) | T | 14.8/40.5 |
| R533 | 7030003710 | S.RES ERJ3GEYJ 184 V (180K) | T | 8.9/51.0 |
| C1 | 4030011050 | S.CER GRM31M3C2H3R0CY21L (GRM42-6 CJ) | T | 56.7/12.5 |
| C2 | 4030007150 | S.CER C1608 CH 1H 151J-T | T | 60.8/12.1 |
| C3 | 4030006870 | S.CER C1608 JB 1H 222K-T | T | 73.0/7.4 |
| C4 | 4030011340 | S.CER C1608 CH 1H 471J-T | T | 66.1/9.9 |
| C5 | 4030011340 | S.CER C1608 CH 1H 471J-T | T | 73.0/9.9 |
| C6 | 4030006870 | S.CER C1608 JB 1H 222K-T | T | 66.1/7.4 |
| C7 | 4030006880 | S.CER C1608 JB 1H 472K-T | T | 50.4/15.6 |
| C8 | 4030006880 | S.CER C1608 JB 1H 472K-T | T | 53.1/17.9 |
| C9 | 4030011790 | S.CER GRM55RF52A684ZD01L (GRM44-1) | T | 79.6/3.3 |
| C12 | 4030011600 | S.CER C1608 JB 1E 104K-T | T | 58.1/17.4 |
| C13 | 4030011600 | S.CER C1608 JB 1E 104K-T | T | 58.1/15.6 |
| C141 | 4030011600 | S.CER C1608 JB 1E 104K-T | T | 9.9/19.3 |
| C142 | 4030011600 | S.CER C1608 JB 1E 104K-T | T | 10.6/31.8 |
| C143 | 4510009250 | S.ELE EEEFK1C471P | T | 17.9/5.8 |
| C161 | 4030007070 | S.CER C1608 CH 1H 330J-T | T | 51.7/24.8 |
| C162 | 4030007110 | S.CER C1608 CH 1H 680J-T | T | 48.7/25.5 |
| C163 | 4030007120 | S.CER C1608 CH 1H 820J-T | T | 47.8/21.0 |
| C164 | 4030006880 | S.CER C1608 JB 1H 472K-T | T | 59.7/44.5 |
| C165 | 4030006880 | S.CER C1608 JB 1H 472K-T | T | 61.2/50.8 |
| C166 | 4030006880 | S.CER C1608 JB 1H 472K-T | T | 60.1/40.2 |
| C168 | 4030011600 | S.CER C1608 JB 1E 104K-T | T | 49.4/27.5 |
| C169 | 4030011600 | S.CER C1608 JB 1E 104K-T | T | 61.0/31.5 |
| C170 | 4030011600 | S.CER C1608 JB 1E 104K-T | T | 58.8/33.0 |
| C171 | 4030011600 | S.CER C1608 JB 1E 104K-T | T | 50.6/31.7 |
| C173 | 4030011600 | S.CER C1608 JB 1E 104K-T | T | 54.9/35.7 |
| C174 | 4030009990 | S.CER C1608 CH 1H 200J-T | T | 47.1/18.9 |
| C175 | 4030007090 | S.CER C1608 CH 1H 470J-T | T | 47.8/17.1 |
| C176 | 4030011600 | S.CER C1608 JB 1E 104K-T | T | 57.6/26.5 |
| C181 | 4030011600 | S.CER C1608 JB 1E 104K-T | T | 60.7/61.6 |
| C182 | 4030011600 | S.CER C1608 JB 1E 104K-T | T | 57.8/58.3 |
| C183 | 4030011600 | S.CER C1608 JB 1E 104K-T | T | 55.3/58.5 |
| C184 | 4030007130 | S.CER C1608 CH 1H 101J-T | T | 58.6/54.6 |
| C186 | 4030007130 | S.CER C1608 CH 1H 101J-T | T | 55.6/51.5 |
| C187 | 4030007130 | S.CER C1608 CH 1H 101J-T | T | 56.7/64.8 |
| C195 | 4030011600 | S.CER C1608 JB 1E 104K-T | T | 58.6/51.5 |
| C201 | 4030011600 | S.CER C1608 JB 1E 104K-T | T | 54.6/45.7 |
| C202 | 4030011600 | S.CER C1608 JB 1E 104K-T | T | 50.4/44.5 |
| C203 | 4030008920 | S.CER C1608 JB 1H 473K-T | T | 49.3/45.7 |
| C204 | 4030009980 | S.CER C1608 JB 1H 152K-T | T | 47.8/44.5 |
| C205 | 4030006880 | S.CER C1608 JB 1H 472K-T | T | 45.3/46.4 |
| C206 | 4030008470 | S.CER C1608 JB 1H 272K-T | T | 45.2/44.5 |
| C207 | 4030011600 | S.CER C1608 JB 1E 104K-T | T | 48.5/41.9 |
| C208 | 4030006880 | S.CER C1608 JB 1H 472K-T | T | 46.5/46.4 |
| C221 | 4030008680 | S.CER C2012 JF 1C 105Z-T | T | 34.6/12.6 |
| C222 | 4030008470 | S.CER C1608 JB 1H 272K-T | T | 27.3/11.9 |
| C223 | 4030007170 | S.CER C1608 CH 1H 221J-T | T | 25.4/12.2 |
| C224 | 4030006870 | S.CER C1608 JB 1H 222K-T | T | 25.4/11.2 |
| C241 | 4030011600 | S.CER C1608 JB 1E 104K-T | T | 38.0/16.8 |
| C242 | 4030009970 | S.CER C1608 JB 1H 182K-T | T | 32.3/18.0 |
| C243 | 4030017870 | S.CER C1608 CH 1H 681J-T | T | 32.3/19.2 |
| C244 | 4030017870 | S.CER C1608 CH 1H 681J-T | T | 30.4/18.5 |
| C245 | 4030008470 | S.CER C1608 JB 1H 272K-T | T | 28.2/22.1 |
| C246 | 4030008850 | S.CER C1608 JB 1H 123K-T | T | 26.0/17.3 |
| C247 | 4030018610 | S.CER C1608 CH 1H 182J-T | T | 25.4/22.1 |
| C248 | 4030011600 | S.CER C1608 JB 1E 104K-T | T | 24.8/17.3 |
| C249 | 4030011330 | S.CER C1608 CH 1H 391J-T | T | 37.2/20.8 |
| C261 | 4030011600 | S.CER C1608 JB 1E 104K-T | T | 34.6/24.1 |
| C262 | 4030010020 | S.CER C1608 JB 1H 122K-T | T | 27.4/24.4 |
| C263 | 4030007100 | S.CER C1608 CH 1H 560J-T | T | 25.5/24.9 |
| C264 | 4030017870 | S.CER C1608 CH 1H 681J-T | T | 25.5/23.7 |
| C265 | 4030017800 | S.CER C1608 CH 1H 561J-T | T | 28.9/24.4 |
| C266 | 4030007150 | S.CER C1608 CH 1H 151J-T | T | 28.9/27.0 |
| C281 | 4030011600 | S.CER C1608 JB 1E 104K-T | T | 42.2/30.2 |
| C282 | 4030011340 | S.CER C1608 CH 1H 471J-T | T | 35.8/30.3 |
| C283 | 4030007110 | S.CER C1608 CH 1H 680J-T | T | 34.6/33.0 |
| C284 | 4030011280 | S.CER C1608 CH 1H 271J-T | T | 34.6/30.3 |
| C285 | 4030010020 | S.CER C1608 JB 1H 122K-T | T | 30.2/33.1 |
| C286 | 4030008770 | S.CER C1608 JB 1H 562K-T | T | 28.3/32.6 |
| C287 | 4030017870 | S.CER C1608 CH 1H 681J-T | T | 28.3/33.8 |
| C288 | 4030011600 | S.CER C1608 JB 1E 104K-T | T | 25.6/29.5 |
| C301 | 4030011600 | S.CER C1608 JB 1E 104K-T | T | 42.2/36.3 |
| C302 | 4030010760 | S.CER C1608 CH 1H 331J-T | T | 35.8/36.4 |
| C303 | 4030007100 | S.CER C1608 CH 1H 560J-T | T | 34.6/39.1 |
| C304 | 4030007160 | S.CER C1608 CH 1H 181J-T | T | 34.6/36.4 |
| C305 | 4030018580 | S.CER C1608 CH 1H 821J-T | T | 30.2/39.2 |
| C306 | 4030008470 | S.CER C1608 JB 1H 272K-T | T | 28.3/38.7 |
| C307 | 4030010760 | S.CER C1608 CH 1H 331J-T | T | 28.3/39.9 |
| C308 | 4030011600 | S.CER C1608 JB 1E 104K-T | T | 25.6/35.6 |
| C321 | 4030006880 | S.CER C1608 JB 1H 472K-T | T | 42.2/42.4 |
| C322 | 4030011280 | S.CER C1608 CH 1H 271J-T | T | 35.9/42.4 |

[RF UNIT]

| REF NO. | PARTS NO. | DESCRIPTION | M. | H/V LOCATION |
|---------|------------|----------------------------|-----|--------------|
| C323 | 4030007100 | S.CER C1608 CH 1H 560J-T | T | 34.6/45.2 |
| C324 | 4030007150 | S.CER C1608 CH 1H 151J-T | T | 30.6/42.4 |
| C325 | 4030011340 | S.CER C1608 CH 1H 471J-T | T | 34.2/45.3 |
| C326 | 4030009980 | S.CER C1608 JB 1H 152K-T | T | 28.3/44.8 |
| C327 | 4030007170 | S.CER C1608 CH 1H 221J-T | T | 28.3/46.0 |
| C328 | 4030006880 | S.CER C1608 JB 1H 472K-T | T | 25.6/41.7 |
| C341 | 4030006880 | S.CER C1608 JB 1H 472K-T | T | 42.2/48.6 |
| C342 | 4030007170 | S.CER C1608 CH 1H 221J-T | T | 35.8/48.6 |
| C343 | 4030007070 | S.CER C1608 CH 1H 330J-T | T | 34.6/51.3 |
| C344 | 4030007140 | S.CER C1608 CH 1H 121J-T | T | 34.6/48.7 |
| C345 | 4030011280 | S.CER C1608 CH 1H 271J-T | T | 30.2/51.4 |
| C346 | 4030010020 | S.CER C1608 JB 1H 122K-T | T | 28.3/50.9 |
| C347 | 4030007150 | S.CER C1608 CH 1H 151J-T | T | 28.3/52.1 |
| C348 | 4030006880 | S.CER C1608 JB 1H 472K-T | T | 25.6/47.8 |
| C360 | 4030007120 | S.CER C1608 CH 1H 820J-T | T | 42.6/56.4 |
| C361 | 4030011600 | S.CER C1608 JB 1E 104K-T | T | 43.8/53.9 |
| C362 | 4030007140 | S.CER C1608 CH 1H 121J-T | T | 35.9/54.6 |
| C363 | 4030007100 | S.CER C1608 CH 1H 560J-T | T | 34.7/57.2 |
| C364 | 4030007090 | S.CER C1608 CH 1H 470J-T | T | 34.7/54.6 |
| C365 | 4030007170 | S.CER C1608 CH 1H 221J-T | T | 30.2/57.5 |
| C366 | 4030018580 | S.CER C1608 CH 1H 821J-T | T | 28.4/57.1 |
| C367 | 4030007130 | S.CER C1608 CH 1H 101J-T | T | 28.3/58.3 |
| C368 | 4030011600 | S.CER C1608 JB 1E 104K-T | T | 25.6/53.9 |
| C369 | 4030007090 | S.CER C1608 CH 1H 470J-T | T | 37.8/55.1 |
| C381 | 4030007110 | S.CER C1608 CH 1H 680J-T | T | 46.6/65.7 |
| C382 | 4030007160 | S.CER C1608 CH 1H 181J-T | T | 43.9/65.7 |
| C383 | 4030011600 | S.CER C1608 JB 1E 104K-T | T | 31.5/76.5 |
| C384 | 4030011600 | S.CER C1608 JB 1E 104K-T | T | 50.5/71.9 |
| C385 | 4030011600 | S.CER C1608 JB 1E 104K-T | T | 46.0/71.9 |
| C386 | 4030011600 | S.CER C1608 JB 1E 104K-T | T | 48.9/71.9 |
| C387 | 4030011600 | S.CER C1608 JB 1E 104K-T | T | 30.4/70.4 |
| C388 | 4030011600 | S.CER C1608 JB 1E 104K-T | T | 31.1/68.0 |
| C401 | 4030007110 | S.CER C1608 CH 1H 680J-T | T | 47.3/63.7 |
| C402 | 4030007080 | S.CER C1608 CH 1H 390J-T | T | 39.7/63.8 |
| C403 | 4030007150 | S.CER C1608 CH 1H 151J-T | T | 50.0/60.8 |
| C404 | 4030018580 | S.CER C1608 CH 1H 821J-T | T | 42.8/59.4 |
| C405 | 4030007120 | S.CER C1608 CH 1H 820J-T | T | 34.8/61.0 |
| C406 | 4030007030 | S.CER C1608 CH 1H 150J-T | T | 34.8/64.4 |
| C407 | 4030007150 | S.CER C1608 CH 1H 151J-T | T | 32.9/61.0 |
| C408 | 4030007080 | S.CER C1608 CH 1H 390J-T | T | 32.1/62.9 |
| C409 | 4030007140 | S.CER C1608 CH 1H 121J-T | T | 31.3/61.0 |
| C410 | 4030008560 | S.CER C1608 CH 1H 300J-T | T | 29.3/64.4 |
| C411 | 4030007120 | S.CER C1608 CH 1H 820J-T | T | 29.3/61.6 |
| C412 | 4030007090 | S.CER C1608 CH 1H 470J-T | T | 41.7/64.2 |
| C413 | 4030007030 | S.CER C1608 CH 1H 150J-T | T | 51.2/60.8 |
| C414 | 4030009520 | S.CER C1608 CH 1H 020B-T | T | 46.0/63.7 |
| C441 | 4030011600 | S.CER C1608 JB 1E 104K-T | T | 24.8/67.3 |
| C442 | 4030011600 | S.CER C1608 JB 1E 104K-T | T | 14.8/57.6 |
| C443 | 4030018910 | S.CER C1608 JB 0J 475K-T | T | 14.8/58.8 |
| C444 | 4030011600 | S.CER C1608 JB 1E 104K-T | T | 14.8/73.9 |
| C445 | 4030011600 | S.CER C1608 JB 1E 104K-T | T | 12.6/60.5 |
| C446 | 4030011600 | S.CER C1608 JB 1E 104K-T | T | 10.0/67.4 |
| C447 | 4030006880 | S.CER C1608 JB 1H 472K-T | T | 16.6/70.6 |
| C448 | 4030011600 | S.CER C1608 JB 1E 104K-T | T | 8.1/60.5 |
| C450 | 4030011600 | S.CER C1608 JB 1E 104K-T | T | 5.0/76.7 |
| C451 | 4030011600 | S.CER C1608 JB 1E 104K-T | T | 14.1/68.7 |
| C452 | 4030011600 | S.CER C1608 JB 1E 104K-T | T | 15.4/70.6 |
| C453 | 4030011600 | S.CER C1608 JB 1E 104K-T | T | 8.6/58.6 |
| C454 | 4510009250 | S.ELE EEEFK1C471P | T | 14.9/84.9 |
| C455 | 4030007110 | S.CER C1608 CH 1H 680J-T | T | 11.4/77.0 |
| C456 | 4030007090 | S.CER C1608 CH 1H 470J-T | T | 20.0/72.6 |
| C457 | 4030007090 | S.CER C1608 CH 1H 470J-T | T | 16.4/61.3 |
| C460 | 4030006900 | S.CER C1608 JB 1H 103K-T | T | 10.9/38.2 |
| C461 | 4030011600 | S.CER C1608 JB 1E 104K-T | T | 7.8/35.0 |
| C462 | 4030006880 | S.CER C1608 JB 1H 472K-T | T | 7.8/40.8 |
| C464 | 4030017480 | S.CER C1608 JB 1A 474K-T | T | 3.3/30.1 |
| C468 | 4030011600 | S.CER C1608 JB 1E 104K-T | T | 3.3/16.9 |
| C470 | 4030018970 | S.CER C3225 JB 1C 226MT-FN | T | 3.0/45.8 |
| C471 | 4030018970 | S.CER C3225 JB 1C 226MT-FN | T | 6.0/45.1 |
| C480 | 4030017490 | S.CER C1608 JB 1A 105K-T | T | 2.2/26.5 |
| C481 | 4030011600 | S.CER C1608 JB 1E 104K-T | T | 4.3/22.9 |
| C482 | 4030017490 | S.CER C1608 JB 1A 105K-T | T | 2.2/27.7 |
| C483 | 4030017490 | S.CER C1608 JB 1A 105K-T | T | 2.2/25.3 |
| C504 | 4030006880 | S.CER C1608 JB 1H 472K-T | T | 30.2/85.1 |
| C506 | 4030006880 | S.CER C1608 JB 1H 472K-T | T | 76.1/93.6 |
| C507 | 4030006880 | S.CER C1608 JB 1H 472K-T | T | 63.5/84.1 |
| C508 | 4030006880 | S.CER C1608 JB 1H 472K-T | T | 66.1/77.3 |
| C509 | 4030006880 | S.CER C1608 JB 1H 472K-T | T | 63.5/78.8 |
| C510 | 4030006880 | S.CER C1608 JB 1H 472K-T | T | 61.7/72.9 |
| C511 | 4030006880 | S.CER C1608 JB 1H 472K-T | T | 62.5/71.0 |
| C512 | 4030006880 | S.CER C1608 JB 1H 472K-T | T | 60.5/66.0 |
| C513 | 4030006880 | S.CER C1608 JB 1H 472K-T | T</ | |

[RF UNIT]

| REF NO. | PARTS NO. | DESCRIPTION | M. | H/V LOCATION |
|---------|------------|---------------------------|----|--------------|
| C532 | 4030006880 | S.CER C1608 JB 1H 472K-T | T | 33.0/95.0 |
| C533 | 4030007090 | S.CER C1608 CH 1H 470J-T | T | 37.4/85.8 |
| C534 | 4030007090 | S.CER C1608 CH 1H 470J-T | T | 39.8/85.8 |
| C535 | 4030007090 | S.CER C1608 CH 1H 470J-T | T | 42.2/85.8 |
| C536 | 4030007090 | S.CER C1608 CH 1H 470J-T | T | 45.3/85.8 |
| C537 | 4030006880 | S.CER C1608 JB 1H 472K-T | T | 33.8/85.8 |
| C538 | 4030006880 | S.CER C1608 JB 1H 472K-T | T | 50.7/88.2 |
| C539 | 4030006880 | S.CER C1608 JB 1H 472K-T | T | 51.9/88.7 |
| C542 | 4030006880 | S.CER C1608 JB 1H 472K-T | T | 53.1/88.7 |
| C543 | 4030006880 | S.CER C1608 JB 1H 472K-T | T | 46.5/85.8 |
| C544 | 4030006880 | S.CER C1608 JB 1H 472K-T | T | 47.7/85.8 |
| C545 | 4030006880 | S.CER C1608 JB 1H 472K-T | T | 48.9/85.8 |
| C546 | 4030011600 | S.CER C1608 JB 1E 104K-T | T | 50.1/85.5 |
| C547 | 4030006880 | S.CER C1608 JB 1H 472K-T | T | 57.9/88.7 |
| C548 | 4030006880 | S.CER C1608 JB 1H 472K-T | T | 56.7/88.7 |
| C549 | 4030006880 | S.CER C1608 JB 1H 472K-T | T | 35.0/85.8 |
| C551 | 4030006880 | S.CER C1608 JB 1H 472K-T | T | 59.1/88.7 |
| C552 | 4030006880 | S.CER C1608 JB 1H 472K-T | T | 72.7/93.7 |
| C553 | 4030006880 | S.CER C1608 JB 1H 472K-T | T | 60.3/88.7 |
| C554 | 4030011600 | S.CER C1608 JB 1E 104K-T | T | 65.5/43.4 |
| C555 | 4030011600 | S.CER C1608 JB 1E 104K-T | T | 53.8/29.7 |
| C556 | 4030006880 | S.CER C1608 JB 1H 472K-T | T | 38.4/89.0 |
| C557 | 4030006880 | S.CER C1608 JB 1H 472K-T | T | 38.4/90.2 |
| C558 | 4030006880 | S.CER C1608 JB 1H 472K-T | T | 36.2/94.2 |
| C559 | 4030006880 | S.CER C1608 JB 1H 472K-T | T | 36.2/95.4 |
| C560 | 4030006880 | S.CER C1608 JB 1H 472K-T | T | 32.6/85.8 |
| C561 | 4030006880 | S.CER C1608 JB 1H 472K-T | T | 49.5/88.8 |
| RL1 | 6330001721 | REL ATN207-K1 | | |
| RL501 | 6330001721 | REL ATN207-K1 | | |
| J5 | 6510024151 | S.CON 50FY-BMT-TB(LF)(SN) | T | 22.2/90.9 |
| J6 | 6510024151 | S.CON 50FY-BMT-TB(LF)(SN) | T | 51.8/93.2 |
| J7 | 6510007020 | CON TMP-J01X-V6 | | |
| J8 | 6510007020 | CON TMP-J01X-V6 | | |
| J10 | 6510007020 | CON TMP-J01X-V6 | | |
| J501 | 6450001641 | CON TCS5044-0141177 | | |
| J502 | 6450001130 | CON JPJ2042-01-110 | | |
| J503 | 6510023900 | CON LGR4619-7000 | | |
| EP170 | 6910012350 | S.BEA MMZ1608Y 102BT | T | 60.9/25.7 |
| EP501 | 6910012350 | S.BEA MMZ1608Y 102BT | T | 70.3/48.0 |
| EP502 | 6910018930 | S.BEA MPZ2012S601A | T | 65.8/84.1 |
| EP503 | 6910018930 | S.BEA MPZ2012S601A | T | 65.8/79.7 |
| EP504 | 6910018930 | S.BEA MPZ2012S601A | T | 65.8/73.2 |
| EP505 | 6910018930 | S.BEA MPZ2012S601A | T | 73.8/29.7 |
| EP507 | 6910018930 | S.BEA MPZ2012S601A | T | 28.2/87.5 |
| EP509 | 6910018930 | S.BEA MPZ2012S601A | T | 23.9/85.9 |
| EP510 | 6910018930 | S.BEA MPZ2012S601A | T | 21.6/85.9 |
| EP511 | 6910012350 | S.BEA MMZ1608Y 102BT | T | 67.2/53.3 |
| EP512 | 6910012350 | S.BEA MMZ1608Y 102BT | T | 72.2/54.8 |

[PA UNIT]

| REF NO. | PARTS NO. | DESCRIPTION | M. | H/V LOCATION |
|---------|------------|-------------------------------------|----|--------------|
| IC1 | 1180001251 | S.IC TA7808F(TE16LQ) | T | 164.8/26.4 |
| IC2 | 1110003800 | S.IC NJM2904V-TE1-#FMZB | T | 103.2/70.8 |
| Q1 | 1560001241 | S.FET RD01MUS1-T113 | T | 26.7/30.8 |
| Q2 | 1560001530 | FET RD15HVF1-101 | | |
| Q3 | 1560001530 | FET RD15HVF1-101 | | |
| Q4 | 1560001640 | FET RD100HHF1C-103 | | |
| Q5 | 1560001640 | FET RD100HHF1C-103 | | |
| Q7 | 1590000680 | S.TRA DTC114EUA T106 | T | 20.0/58.6 |
| Q131 | 1540000550 | S.TRA 2SD1664 T100Q | T | 144.7/84.5 |
| D4 | 1790000700 | DIO DSA3A1 | | |
| D5 | 1790000700 | DIO DSA3A1 | | |
| D6 | 1790001251 | S.DIO MA2S1110GL | T | 11.6/56.1 |
| D8 | 1790001251 | S.DIO MA2S1110GL | T | 84.8/12.9 |
| D9 | 1790001251 | S.DIO MA2S1110GL | T | 84.8/54.1 |
| D10 | 1790001251 | S.DIO MA2S1110GL | T | 38.3/9.6 |
| D11 | 1790001251 | S.DIO MA2S1110GL | T | 39.2/39.0 |
| D17 | 1790001251 | S.DIO MA2S1110GL | T | 89.2/56.7 |
| D18 | 1790001251 | S.DIO MA2S1110GL | T | 89.2/10.4 |
| L1 | 6140002350 | COI LR-274 (RIB4X7X5 3A6) | | |
| L2 | 6140004690 | COI LR-530 <KN> | | |
| L3 | 6140004700 | COI LR-529 | | |
| L4 | 6140003590 | COI LR-400 (TR10X5X5 6H3) | | |
| L5 | 6140004570 | COI LR-507 | | |
| L7 | 6140002220 | COI LR-270 (TR6X3X2 3A9) | | |
| L24 | 6200003241 | S.COI NLV32T-221J | T | 21.4/16.8 |
| L25 | 6200003241 | S.COI NLV32T-221J | T | 18.4/13.8 |
| L29 | 6140003440 | COI LR-386 (FK-100E-5003H) [EUR] | | |
| | 6140003440 | COI LR-386 (FK-100E-5003H) [FRA] | | |
| | 6140003440 | COI LR-386 (FK-100E-5003H) [ITR] | | |
| | 6140003440 | COI LR-386 (FK-100E-5003H) [ESP] | | |
| | 6140003440 | COI LR-386 (FK-100E-5003H) [EUR-01] | | |
| L38 | 6140003440 | COI LR-386 (FK-100E-5003H) [EUR] | | |
| | 6140003440 | COI LR-386 (FK-100E-5003H) [FRA] | | |
| | 6140003440 | COI LR-386 (FK-100E-5003H) [ITR] | | |
| | 6140003440 | COI LR-386 (FK-100E-5003H) [ESP] | | |
| | 6140003440 | COI LR-386 (FK-100E-5003H) [EUR-01] | | |
| L131 | 6200002041 | S.COI NLV25T-101J | T | 36.0/80.2 |
| R1 | 7030003310 | S.RES ERJ3GEYJ 820 V (82) | T | 23.5/31.2 |
| R2 | 7030003510 | S.RES ERJ3GEYJ 392 V (3.9K) | T | 22.3/31.2 |
| R3 | 7030003410 | S.RES ERJ3GEYJ 561 V (560) | T | 26.8/26.1 |
| R4 | 7030006210 | S.RES ERJ12YJ4R7U (4.7) | T | 31.1/34.2 |
| R5 | 7030008180 | S.RES ERJ12YJ331U (330) | T | 29.5/24.2 |
| R6 | 7030003450 | S.RES ERJ3GEYJ 122 V (1.2K) | T | 23.5/33.8 |
| R7 | 7030000220 | S.RES MCR10EZHZJ 47 (470) | T | 40.3/41.0 |
| R8 | 7030000220 | S.RES MCR10EZHZJ 47 (470) | T | 40.3/8.2 |
| R9 | 7030010480 | S.RES ERJ1TYJ 181U (180) | T | 49.5/34.7 |
| R10 | 7030010480 | S.RES ERJ1TYJ 181U (180) | T | 49.5/6.6 |
| R11 | 7030003230 | S.RES ERJ3GEYJ 180 V (18) | T | 15.5/25.8 |
| R12 | 7030003370 | S.RES ERJ3GEYJ 271 V (270) | T | 16.3/27.9 |
| R13 | 7030003370 | S.RES ERJ3GEYJ 271 V (270) | T | 16.8/25.8 |
| R15 | 7030010410 | S.RES ERJ1TYJ 220U (22) | T | 107.4/38.5 |
| R16 | 7030010410 | S.RES ERJ1TYJ 220U (22) | T | 107.4/28.5 |
| R17 | 7030003510 | S.RES ERJ3GEYJ 392 V (3.9K) | T | 90.0/54.8 |
| R18 | 7030003510 | S.RES ERJ3GEYJ 392 V (3.9K) | T | 90.0/12.2 |
| R20 | 7030000010 | S.RES MCR10EZHZJ JPW (000) | T | 21.5/26.0 |
| R22 | 7030010950 | S.RES ERJ1TYJ 100U (10) | T | 74.2/18.1 |
| R25 | 7030005971 | S.RES ERA3YKD 683V (68K) | T | 143.1/80.4 |
| R26 | 7030005981 | S.RES ERA3YED 333V (33K) | T | 138.7/80.4 |
| R27 | 7030005981 | S.RES ERA3YED 333V (33K) | T | 136.9/80.4 |
| R29 | 7030007661 | S.RES ERA3YED 331V (330) | T | 140.5/81.2 |
| R31 | 7030003450 | S.RES ERJ3GEYJ 122 V (1.2K) | T | 92.4/7.7 |
| R32 | 7030010570 | S.RES ERJ1TYJ 4R7U (4.7) | T | 165.7/61.8 |
| R33 | 7030010570 | S.RES ERJ1TYJ 4R7U (4.7) | T | 169.4/61.8 |
| R34 | 7030010410 | S.RES ERJ1TYJ 220U (22) | T | 103.4/38.5 |
| R36 | 7030010410 | S.RES ERJ1TYJ 220U (22) | T | 103.4/28.5 |
| R37 | 7030010410 | S.RES ERJ1TYJ 220U (22) | T | 87.7/50.7 |
| R38 | 7030010410 | S.RES ERJ1TYJ 220U (22) | T | 87.7/16.3 |
| R39 | 7030011240 | S.RES LRF3W-LF-01-R020F | T | 137.8/75.5 |
| R40 | 7030011240 | S.RES LRF3W-LF-01-R020F | T | 137.8/68.5 |
| R41 | 7030003320 | S.RES ERJ3GEYJ 101 V (100) | T | 18.4/64.4 |
| R42 | 7030003320 | S.RES ERJ3GEYJ 101 V (100) | T | 18.4/68.1 |
| R43 | 7030003320 | S.RES ERJ3GEYJ 101 V (100) | T | 17.4/71.8 |
| R44 | 7030003400 | S.RES ERJ3GEYJ 471 V (470) | T | 9.6/25.2 |
| R45 | 7030003400 | S.RES ERJ3GEYJ 471 V (470) | T | 8.2/17.8 |
| R46 | 7030003480 | S.RES ERJ3GEYJ 222 V (2.2K) | T | 41.3/43.1 |
| R47 | 7030003480 | S.RES ERJ3GEYJ 222 V (2.2K) | T | 41.3/6.2 |
| R49 | 7030011130 | S.RES ERJ1TYJ 1R0U (1) | T | 99.9/13.5 |
| R50 | 7510001551 | S.THE NTG16 4LH 333JT | T | 105.1/6.2 |
| R51 | 7030003440 | S.RES ERJ3GEYJ 102 V (1K) | T | 33.6/32.7 |
| R52 | 7030004040 | S.RES ERJ3GEYJ 4R7 V (4.7) | T | 24.1/59.3 |
| R55 | 7030005971 | S.RES ERA3YKD 683V (68K) | T | 136.9/85.7 |
| R60 | 7030011130 | S.RES ERJ1TYJ 1R0U (1) | T | 99.9/53.6 |
| R71 | 7030003650 | S.RES ERJ3GEYJ 563 V (56K) | T | 6.0/28.2 |
| R72 | 7030003680 | S.RES ERJ3GEYJ 104 V (100K) | T | 4.8/28.2 |
| R73 | 7030003650 | S.RES ERJ3GEYJ 563 V (56K) | T | 8.4/26.7 |
| R74 | 7030003680 | S.RES ERJ3GEYJ 104 V (100K) | T | 7.2/28.2 |
| R75 | 7030003680 | S.RES ERJ3GEYJ 104 V (100K) | T | 3.4/19.3 |
| R76 | 7030003650 | S.RES ERJ3GEYJ 563 V (56K) | T | 7.0/17.8 |

M.=Mounted side (T: Mounted on the Top side, B: Mounted on the Bottom side)
S.=Surface mount

[PA UNIT]

| REF NO. | PARTS NO. | DESCRIPTION | M. | H/V LOCATION |
|---------|------------|--|----|--------------|
| R77 | 7030003680 | S.RES ERJ3GEYJ 104 V (100K) | T | 5.8/17.1 |
| R78 | 7030003650 | S.RES ERJ3GEYJ 563 V (56K) | T | 4.6/19.3 |
| R79 | 7030003320 | S.RES ERJ3GEYJ 101 V (100) | T | 10.4/20.8 |
| R81 | 7030008240 | S.RES ERJ12Y0R00U | T | 40.2/32.4 |
| R82 | 7030008240 | S.RES ERJ12Y0R00U | T | 40.2/16.8 |
| R106 | 7030010250 | S.RES ERJ1TYJ 0R00U | T | 92.5/39.8 |
| R107 | 7030010250 | S.RES ERJ1TYJ 0R00U | T | 92.5/27.2 |
| R120 | 7030010250 | S.RES ERJ1TYJ 0R00U | T | 149.9/59.8 |
| R131 | 7030003400 | S.RES ERJ3GEYJ 471 V (470) | T | 141.4/85.2 |
| R132 | 7030003860 | S.RES ERJ3GE JPW V | T | 148.4/84.3 |
| C1 | 4030017320 | S.CER GRM21BB11H104KA01L (GRM40-034) | T | 23.3/28.0 |
| C2 | 4030008960 | S.CER C2012 JB 1C 104K-T | T | 25.2/26.4 |
| C3 | 4030004720 | S.CER C2012 JB 1H 102K-T | T | 25.9/37.6 |
| C4 | 4030005110 | S.CER C2012 JB 1E 473K-T | T | 28.5/19.6 |
| C5 | 4030012490 | S.CER GRM31M1X2A472JZ01L (GRM42-6 SL) | T | 44.0/37.1 |
| C6 | 4030012490 | S.CER GRM31M1X2A472JZ01L (GRM42-6 SL) | T | 44.0/9.0 |
| C8 | 4030005110 | S.CER C2012 JB 1E 473K-T | T | 30.1/28.8 |
| C12 | 4030007130 | S.CER C1608 CH 1H 101J-T | T | 14.3/25.8 |
| C17 | 4030008920 | S.CER C1608 JB 1H 473K-T | T | 22.3/33.9 |
| C19 | 4030008920 | S.CER C1608 JB 1H 473K-T | T | 23.5/36.5 |
| C21 | 4030005110 | S.CER C2012 JB 1E 473K-T | T | 72.7/12.4 |
| C22 | 4030006860 | S.CER C1608 JB 1H 102K-T | T | 74.2/12.7 |
| C27 | 4510009250 | S.ELE EEEFK1C471P | T | 181.0/73.2 |
| C28 | 4030006880 | S.CER C1608 JB 1H 472K-T | T | 150.9/72.0 |
| C29 | 4030011600 | S.CER C1608 JB 1E 104K-T | T | 161.5/72.0 |
| C30 | 4030007170 | S.CER C1608 CH 1H 221J-T | T | 165.4/72.0 |
| C31 | 4030005110 | S.CER C2012 JB 1E 473K-T | T | 125.3/80.6 |
| C32 | 4510009250 | S.ELE EEEFK1C471P | T | 130.6/81.6 |
| C33 | 4030006880 | S.CER C1608 JB 1H 472K-T | T | 119.6/70.3 |
| C34 | 4030007170 | S.CER C1608 CH 1H 221J-T | T | 117.3/70.3 |
| C35 | 4030018980 | S.CER C1608 JB 1H 104K-T | T | 115.0/70.3 |
| C42 | 4510009250 | S.ELE EEEFK1C471P | T | 145.9/73.2 |
| C43 | 4030006880 | S.CER C1608 JB 1H 472K-T | T | 94.8/6.2 |
| C44 | 4030006880 | S.CER C1608 JB 1H 472K-T | T | 90.0/7.7 |
| C46 | 4030006880 | S.CER C1608 JB 1H 472K-T | T | 23.2/76.3 |
| C47 | 4030006880 | S.CER C1608 JB 1H 472K-T | T | 135.7/83.1 |
| C52 | 4030008920 | S.CER C1608 JB 1H 473K-T | T | 96.0/6.2 |
| C53 | 4030008920 | S.CER C1608 JB 1H 473K-T | T | 18.7/56.1 |
| C54 | 4030008920 | S.CER C1608 JB 1H 473K-T | T | 91.2/7.7 |
| C55 | 4030006880 | S.CER C1608 JB 1H 472K-T | T | 18.4/17.6 |
| C56 | 4030006860 | S.CER C1608 JB 1H 102K-T | T | 15.5/14.2 |
| C57 | 4030006880 | S.CER C1608 JB 1H 472K-T | T | 19.2/8.6 |
| C59 | 4510009250 | S.ELE EEEFK1C471P [EUR] | T | 81.3/72.6 |
| | 4510009250 | S.ELE EEEFK1C471P [FRA] | | |
| | 4510009250 | S.ELE EEEFK1C471P [ITR] | | |
| | 4510009250 | S.ELE EEEFK1C471P [ESP] | | |
| | 4510009250 | S.ELE EEEFK1C471P [EUR-01] | | |
| C60 | 4030004740 | S.CER C2012 JB 1H 472K-T [EUR] | T | 75.9/75.3 |
| | 4030004740 | S.CER C2012 JB 1H 472K-T [FRA] | | |
| | 4030004740 | S.CER C2012 JB 1H 472K-T [ITR] | | |
| | 4030004740 | S.CER C2012 JB 1H 472K-T [ESP] | | |
| | 4030004740 | S.CER C2012 JB 1H 472K-T [EUR-01] | | |
| C61 | 4030004740 | S.CER C2012 JB 1H 472K-T [EUR] | T | 75.9/69.9 |
| | 4030004740 | S.CER C2012 JB 1H 472K-T [FRA] | | |
| | 4030004740 | S.CER C2012 JB 1H 472K-T [ITR] | | |
| | 4030004740 | S.CER C2012 JB 1H 472K-T [ESP] | | |
| | 4030004740 | S.CER C2012 JB 1H 472K-T [EUR-01] | | |
| C62 | 4030018980 | S.CER C1608 JB 1H 104K-T [EUR] | T | 42.8/72.6 |
| | 4030018980 | S.CER C1608 JB 1H 104K-T [FRA] | | |
| | 4030018980 | S.CER C1608 JB 1H 104K-T [ITR] | | |
| | 4030018980 | S.CER C1608 JB 1H 104K-T [ESP] | | |
| | 4030018980 | S.CER C1608 JB 1H 104K-T [EUR-01] | | |
| C63 | 4560000170 | CER D67X5T 1E 684M51 (MARUWA) [EUR] | | |
| | 4560000170 | CER D67X5T 1E 684M51 (MARUWA) [FRA] | | |
| | 4560000170 | CER D67X5T 1E 684M51 (MARUWA) [ITR] | | |
| | 4560000170 | CER D67X5T 1E 684M51 (MARUWA) [ESP] | | |
| | 4560000170 | CER D67X5T 1E 684M51 (MARUWA) [EUR-01] | | |
| C66 | 4030018750 | S.CER C3225 CH 2J 682K-T | T | 95.7/43.9 |
| C67 | 4030018750 | S.CER C3225 CH 2J 682K-T | T | 95.7/23.2 |
| C71 | 4030011550 | S.CER GRM31M2C2H680JV01L (GRM42-6 CH) | T | 59.5/33.5 |
| C72 | 4030014460 | S.CER GRM31M2C2H820JV01L (GRM42-6 CH) | T | 57.4/33.5 |
| C73 | 4030018750 | S.CER C3225 CH 2J 682K-T | T | 103.0/18.0 |
| C74 | 4030018750 | S.CER C3225 CH 2J 682K-T | T | 103.0/49.1 |
| C77 | 4030006880 | S.CER C1608 JB 1H 472K-T | T | 22.0/76.3 |
| C78 | 4030006860 | S.CER C1608 JB 1H 102K-T | T | 16.2/75.8 |
| C79 | 4030006880 | S.CER C1608 JB 1H 472K-T | T | 9.8/85.8 |
| C80 | 4030006880 | S.CER C1608 JB 1H 472K-T | T | 8.6/83.2 |
| C81 | 4030018530 | S.CER C3216 CH 1H 103J-T | T | 41.0/37.8 |
| C82 | 4030018530 | S.CER C3216 CH 1H 103J-T | T | 41.0/11.4 |
| C83 | 4030008920 | S.CER C1608 JB 1H 473K-T | T | 37.5/7.9 |
| C84 | 4030008920 | S.CER C1608 JB 1H 473K-T | T | 38.4/37.2 |
| C85 | 4030008920 | S.CER C1608 JB 1H 473K-T | T | 83.3/11.9 |
| C86 | 4030008920 | S.CER C1608 JB 1H 473K-T | T | 83.2/55.1 |
| C87 | 4030011600 | S.CER C1608 JB 1E 104K-T | T | 22.1/58.7 |
| C88 | 4030011600 | S.CER C1608 JB 1E 104K-T | T | 17.2/64.4 |
| C89 | 4030011600 | S.CER C1608 JB 1E 104K-T | T | 17.2/68.1 |

[PA UNIT]

| REF NO. | PARTS NO. | DESCRIPTION | M. | H/V LOCATION |
|---------|------------|---------------------------------------|----|--------------|
| C90 | 4030011600 | S.CER C1608 JB 1E 104K-T | T | 16.2/71.8 |
| C91 | 4030011600 | S.CER C1608 JB 1E 104K-T | T | 19.8/75.8 |
| C92 | 4030011600 | S.CER C1608 JB 1E 104K-T | T | 17.4/75.8 |
| C93 | 4030011600 | S.CER C1608 JB 1E 104K-T | T | 29.1/79.2 |
| C94 | 4030011600 | S.CER C1608 JB 1E 104K-T | T | 16.9/20.9 |
| C97 | 4030006880 | S.CER C1608 JB 1H 472K-T | T | 18.6/75.8 |
| C100 | 4030011600 | S.CER C1608 JB 1E 104K-T | T | 82.1/11.9 |
| C101 | 4030011600 | S.CER C1608 JB 1E 104K-T | T | 82.0/55.1 |
| C102 | 4030018960 | S.CER C3216 JB 1C 106MT-FN | T | 8.3/43.0 |
| C103 | 4030018960 | S.CER C3216 JB 1C 106MT-FN | T | 8.3/38.0 |
| C104 | 4030011600 | S.CER C1608 JB 1E 104K-T | T | 10.0/42.7 |
| C105 | 4030011600 | S.CER C1608 JB 1E 104K-T | T | 10.0/38.3 |
| C106 | 4030011730 | S.CER GRM31M2C2H101JV01L (GRM42-6 CH) | T | 85.0/42.6 |
| C107 | 4030011730 | S.CER GRM31M2C2H101JV01L (GRM42-6 CH) | T | 85.0/24.4 |
| C111 | 4030011550 | S.CER GRM31M2C2H680JV01L (GRM42-6 CH) | T | 134.8/58.0 |
| C112 | 4030011550 | S.CER GRM31M2C2H680JV01L (GRM42-6 CH) | T | 134.8/9.1 |
| C113 | 4030011740 | S.CER GRM32N2C2H201JV01L (GRM42-2 CH) | T | 144.2/33.5 |
| C114 | 4030011740 | S.CER GRM32N2C2H201JV01L (GRM42-2 CH) | T | 141.0/33.5 |
| C115 | 4030011740 | S.CER GRM32N2C2H201JV01L (GRM42-2 CH) | T | 137.8/33.5 |
| C116 | 4030011740 | S.CER GRM32N2C2H201JV01L (GRM42-2 CH) | T | 134.6/33.5 |
| | | | T | 9.2/20.8 |
| C121 | 4030011600 | S.CER C1608 JB 1E 104K-T | T | 156.0/73.2 |
| C122 | 4510009250 | S.ELE EEEFK1C471P | T | 171.8/73.2 |
| C123 | 4510009250 | S.ELE EEEFK1C471P | T | 120.0/81.6 |
| C124 | 4510009250 | S.ELE EEEFK1C471P | T | 24.4/76.3 |
| C125 | 4030011600 | S.CER C1608 JB 1E 104K-T | T | 22.1/56.1 |
| C130 | 4030011600 | S.CER C1608 JB 1E 104K-T | T | 36.3/78.3 |
| C131 | 4030006880 | S.CER C1608 JB 1H 472K-T | T | 146.3/80.9 |
| C132 | 4030011600 | S.CER C1608 JB 1E 104K-T | T | 148.0/80.1 |
| C133 | 4030018960 | S.CER C3216 JB 1C 106MT-FN | T | 140.2/85.2 |
| C134 | 4030006880 | S.CER C1608 JB 1H 472K-T | T | |
| RL1 | 6330001600 | REL ALD 112 | | |
| J4 | 6510024151 | S.CON 50FY-BMT-TB(LF)(SN) | T | 25.3/83.9 |
| J8 | 6510007020 | CON TMP-J01X-V6 | | |
| J9 | 6510007020 | CON TMP-J01X-V6 | | |
| J131 | 6510014961 | S.CON B2B-ZR-SM4-TF(LF)(SN) | T | 151.1/82.8 |
| J132 | 6510014961 | S.CON B2B-ZR-SM4-TF(LF)(SN) | T | 157.2/82.8 |
| F1 | 5220000400 | HOL FHA010-01F | | |
| F2 | 5210000940 | FUS 1205 | | |
| EP1 | 6910019200 | S.BEA N2012ZPS121T50 | T | 71.5/19.5 |
| EP2 | 6910019200 | S.BEA N2012ZPS121T50 | T | 71.5/16.2 |
| EP6 | 6910012350 | S.BEA MMZ1608Y 102BT | T | 19.0/21.6 |
| EP8 | 6910019200 | S.BEA N2012ZPS121T50 | T | 70.8/12.4 |
| EP11 | 6910012350 | S.BEA MMZ1608Y 102BT | T | 24.4/80.0 |
| EP12 | 6910019200 | S.BEA N2012ZPS121T50 | T | 26.3/79.4 |
| EP21 | 6910012350 | S.BEA MMZ1608Y 102BT | T | 9.8/83.2 |
| EP26 | 6910018930 | S.BEA MPZ2012S601A | T | 22.0/8.9 |
| EP27 | 6910018930 | S.BEA MPZ2012S601A | T | 28.5/7.5 |

M.=Mounted side (T: Mounted on the Top side, B: Mounted on the Bottom side)
S.=Surface mount

[FILTER UNIT]

| REF NO. | PARTS NO. | DESCRIPTION | M. | H/V LOCATION |
|---------|------------|---------------------------------------|----|--------------|
| Q149 | 1590001960 | S.TRA XP4311(TX) | T | 87.6/70.7 |
| Q150 | 1590001960 | S.TRA XP4311(TX) | T | 78.2/83.6 |
| Q151 | 1590001960 | S.TRA XP4311(TX) | T | 83.3/83.7 |
| Q152 | 1590001960 | S.TRA XP4311(TX) | T | 85.8/35.0 |
| Q153 | 1590001960 | S.TRA XP4311(TX) | T | 85.8/23.8 |
| Q154 | 1590001960 | S.TRA XP4311(TX) | T | 85.8/59.4 |
| Q158 | 1590001960 | S.TRA XP4311(TX) | T | 86.0/48.8 |
| D21 | 1790001251 | S.DIO MA2S1110GL | T | 86.1/52.0 |
| D41 | 1790001251 | S.DIO MA2S1110GL | T | 86.1/16.0 |
| D61 | 1790001251 | S.DIO MA2S1110GL | T | 86.1/26.5 |
| D81 | 1790001251 | S.DIO MA2S1110GL | T | 86.1/77.4 |
| D101 | 1790001251 | S.DIO MA2S1110GL | T | 72.3/83.6 |
| D121 | 1790001251 | S.DIO MA2S1110GL | T | 86.5/61.7 |
| D147 | 1790001251 | S.DIO MA2S1110GL | T | 86.1/40.1 |
| L21 | 6140001990 | COI LR-226 (T68-2) | | |
| L22 | 6140002000 | COI LR-227 (T68-2) | | |
| L23 | 6200005051 | S.COI NLV25T-330J | T | 86.7/55.0 |
| L24 | 6200005051 | S.COI NLV25T-330J | T | 10.3/63.9 |
| L41 | 6140001240 | COI LR-149 (T68-2) | | |
| L42 | 6140001130 | COI LR-138 (T68-2) | | |
| L43 | 6200005051 | S.COI NLV25T-330J | T | 86.7/19.0 |
| L44 | 6200005051 | S.COI NLV25T-330J | T | 2.4/17.6 |
| L61 | 6140001800 | COI LR-216 (T50-2) | | |
| L62 | 6140001800 | COI LR-216 (T50-2) | | |
| L63 | 6200005051 | S.COI NLV25T-330J | T | 86.7/29.5 |
| L64 | 6140001800 | COI LR-216 (T50-2) | | |
| L65 | 6200005051 | S.COI NLV25T-330J | T | 4.6/31.8 |
| L81 | 6140004770 | COI LR-537 | | |
| L82 | 6140004750 | COI LR-535 | | |
| L83 | 6200005051 | S.COI NLV25T-330J | T | 86.7/80.4 |
| L84 | 6140001810 | COI LR-217 (T50-10) | | |
| L85 | 6200005051 | S.COI NLV25T-330J | T | 3.1/79.5 |
| L101 | 6110002910 | COI LA-480 | | |
| L102 | 6110002920 | COI LA-481 | | |
| L103 | 6200005011 | S.COI NLV25T-100J | T | 73.6/86.2 |
| L104 | 6200005011 | S.COI NLV25T-100J | T | 9.2/81.3 |
| L121 | 6110002900 | COI LA-479 | | |
| L122 | 6110002890 | COI LA-478 | | |
| L123 | 6200005011 | S.COI NLV25T-100J | T | 86.7/65.2 |
| L124 | 6200005011 | S.COI NLV25T-100J | T | 11.9/68.2 |
| L141 | 6110003540 | COI LA-548 (LA-215A) | | |
| L142 | 6110003570 | COI LA-550 | | |
| L143 | 6110003550 | COI LA-547 (LA-214A) | | |
| L144 | 6200002861 | S.COI NLV25T-4R7J | T | 86.7/43.1 |
| L145 | 6200002861 | S.COI NLV25T-4R7J | T | 4.8/49.8 |
| R21 | 7030003340 | S.RES ERJ3GEYJ 151 V (150) | T | 85.9/57.5 |
| R41 | 7030003340 | S.RES ERJ3GEYJ 151 V (150) | T | 85.9/21.9 |
| R61 | 7030003340 | S.RES ERJ3GEYJ 151 V (150) | T | 85.9/33.1 |
| R81 | 7030003340 | S.RES ERJ3GEYJ 151 V (150) | T | 85.8/82.8 |
| R101 | 7030003340 | S.RES ERJ3GEYJ 151 V (150) | T | 76.0/83.7 |
| R121 | 7030003340 | S.RES ERJ3GEYJ 151 V (150) | T | 86.7/68.2 |
| R141 | 7030003340 | S.RES ERJ3GEYJ 151 V (150) | T | 84.7/46.4 |
| C21 | 4030008920 | S.CER C1608 JB 1H 473K-T | T | 7.0/63.4 |
| C22 | 4030008920 | S.CER C1608 JB 1H 473K-T | T | 87.3/52.0 |
| C23 | 4010007510 | CER HM17SJ SL 821J 500V | | |
| C24 | 4320001050 | S.MIC UC342H 3900J-T | T | 30.1/49.0 |
| C26 | 4010007510 | CER HM17SJ SL 821J 500V | | |
| C27 | 4030012480 | S.CER GRM31M2C2H121JV01L (GRM42-6 CH) | T | 60.6/59.1 |
| C28 | 4010007510 | CER HM17SJ SL 821J 500V | | |
| C29 | 4010007590 | CER HM15SJ SL 681J 500V | | |
| C30 | 4010007510 | CER HM17SJ SL 821J 500V | | |
| C31 | 4010007510 | CER HM17SJ SL 821J 500V | | |
| C32 | 4010007590 | CER HM15SJ SL 681J 500V | | |
| C33 | 4030006880 | S.CER C1608 JB 1H 472K-T | T | 88.6/55.3 |
| C34 | 4010005930 | CER HM11SJ SL 391J 500V | | |
| C35 | 4030012480 | S.CER GRM31M2C2H121JV01L (GRM42-6 CH) | T | 41.4/47.8 |
| C36 | 4010007510 | CER HM17SJ SL 821J 500V | | |
| C37 | 4030011730 | S.CER GRM31M2C2H101JV01L (GRM42-6 CH) | T | 27.2/50.0 |
| C38 | 4030011550 | S.CER GRM31M2C2H680JV01L (GRM42-6 CH) | T | 25.1/50.0 |
| C41 | 4030008920 | S.CER C1608 JB 1H 473K-T | T | 4.6/17.3 |
| C42 | 4030008920 | S.CER C1608 JB 1H 473K-T | T | 87.3/16.0 |
| C44 | 4010005360 | CER HM11SJ SL 301J 500V | | |
| C45 | 4010005360 | CER HM11SJ SL 301J 500V | | |
| C46 | 4010005930 | CER HM11SJ SL 391J 500V | | |
| C47 | 4010005370 | CER HM11SJ SL 331J 500V | | |
| C48 | 4030011730 | S.CER GRM31M2C2H101JV01L (GRM42-6 CH) | T | 57.8/8.1 |
| C49 | 4010005850 | CER HM95SJ SL 181J 500V | | |
| C50 | 4010005930 | CER HM11SJ SL 391J 500V | | |
| C51 | 4030011240 | S.CER GRM31M2C2H470JV01L (GRM42-6 CH) | T | 71.3/6.8 |
| C52 | 4010005370 | CER HM11SJ SL 331J 500V | | |
| C53 | 4010005370 | CER HM11SJ SL 331J 500V | | |
| C54 | 4030006880 | S.CER C1608 JB 1H 472K-T | T | 88.6/19.3 |
| C56 | 4030011180 | S.CER GRM31M2C2H220JV01L (GRM42-6 CH) | T | 41.2/5.3 |

[FILTER UNIT]

| REF NO. | PARTS NO. | DESCRIPTION | M. | H/V LOCATION |
|---------|------------|---------------------------------------|----|--------------|
| C61 | 4030008920 | S.CER C1608 JB 1H 473K-T | T | 2.5/29.8 |
| C62 | 4030008920 | S.CER C1608 JB 1H 473K-T | T | 87.3/26.5 |
| C63 | 4010005930 | CER HM11SJ SL 391J 500V | | |
| C65 | 4030011730 | S.CER GRM31M2C2H101JV01L (GRM42-6 CH) | T | 15.8/21.1 |
| C66 | 4030011550 | S.CER GRM31M2C2H680JV01L (GRM42-6 CH) | T | 17.9/21.1 |
| C67 | 4010007490 | CER HM15SJ SL 561J 500V | | |
| C68 | 4030012480 | S.CER GRM31M2C2H121JV01L (GRM42-6 CH) | T | 33.0/23.2 |
| C69 | 4030012480 | S.CER GRM31M2C2H121JV01L (GRM42-6 CH) | T | 35.1/20.5 |
| C70 | 4010007590 | CER HM15SJ SL 681J 500V | | |
| C71 | 4030011730 | S.CER GRM31M2C2H101JV01L (GRM42-6 CH) | T | 56.1/23.9 |
| C72 | 4030006880 | S.CER C1608 JB 1H 472K-T | T | 88.6/29.8 |
| C74 | 4030011230 | S.CER GRM31M2C2H390JV01L (GRM42-6 CH) | T | 56.8/18.7 |
| C76 | 4030011180 | S.CER GRM31M2C2H220JV01L (GRM42-6 CH) | T | 71.0/23.3 |
| C77 | 4010005880 | CER HM95SJ SL 271J 500V | | |
| C81 | 4030008920 | S.CER C1608 JB 1H 473K-T | T | 3.7/76.5 |
| C82 | 4030008920 | S.CER C1608 JB 1H 473K-T | T | 87.3/77.4 |
| C83 | 4010005860 | CER HM95SJ SL 201J 500V | | |
| C84 | 4030011730 | S.CER GRM31M2C2H101JV01L (GRM42-6 CH) | T | 30.2/78.3 |
| C85 | 4030014460 | S.CER GRM31M2C2H820JV01L (GRM42-6 CH) | T | 50.8/74.7 |
| C86 | 4010005830 | CER HM74SJ SL 151J 500V | | |
| C88 | 4030014460 | S.CER GRM31M2C2H820JV01L (GRM42-6 CH) | T | 72.1/73.6 |
| C89 | 4030006880 | S.CER C1608 JB 1H 472K-T | T | 88.6/80.7 |
| C90 | 4030011080 | S.CER GRM31M2C2H6R0DV01L (GRM42-6 CH) | T | 31.9/76.1 |
| C92 | 4030011230 | S.CER GRM31M2C2H390JV01L (GRM42-6 CH) | T | 50.8/79.6 |
| C101 | 4030006880 | S.CER C1608 JB 1H 472K-T | T | 10.2/83.7 |
| C102 | 4030006880 | S.CER C1608 JB 1H 472K-T | T | 73.5/83.6 |
| C103 | 4030011730 | S.CER GRM31M2C2H101JV01L (GRM42-6 CH) | T | 26.1/91.3 |
| C104 | 4030011510 | S.CER GRM31M2C2H560JV01L (GRM42-6 CH) | T | 31.8/91.3 |
| C105 | 4030012480 | S.CER GRM31M2C2H121JV01L (GRM42-6 CH) | T | 50.7/88.2 |
| C106 | 4030011170 | S.CER GRM31M2C2H180JV01L (GRM42-6 CH) | T | 50.7/93.1 |
| C107 | 4030011730 | S.CER GRM31M2C2H101JV01L (GRM42-6 CH) | T | 64.3/87.9 |
| C108 | 4030006880 | S.CER C1608 JB 1H 472K-T | T | 76.6/85.7 |
| C109 | 4030012480 | S.CER GRM31M2C2H121JV01L (GRM42-6 CH) | T | 48.4/88.2 |
| C110 | 4030011170 | S.CER GRM31M2C2H180JV01L (GRM42-6 CH) | T | 24.0/91.3 |
| C111 | 4030011140 | S.CER GRM31M2C2H120JV01L (GRM42-6 CH) | T | 29.7/88.2 |
| C121 | 4030006880 | S.CER C1608 JB 1H 472K-T | T | 11.8/65.8 |
| C122 | 4030006880 | S.CER C1608 JB 1H 472K-T | T | 86.4/62.9 |
| C123 | 4030011100 | S.CER GRM31M2C2H8R0DV01L (GRM42-6 CH) | T | 67.5/62.2 |
| C124 | 4030011140 | S.CER GRM31M2C2H120JV01L (GRM42-6 CH) | T | 45.1/72.2 |
| C126 | 4030011210 | S.CER GRM31M2C2H330JV01L (GRM42-6 CH) | T | 67.5/68.1 |
| C127 | 4030011550 | S.CER GRM31M2C2H680JV01L (GRM42-6 CH) | T | 69.8/64.4 |
| C128 | 4030011180 | S.CER GRM31M2C2H220JV01L (GRM42-6 CH) | T | 33.9/66.2 |
| C129 | 4030006880 | S.CER C1608 JB 1H 472K-T | T | 88.6/65.5 |
| C130 | 4030011510 | S.CER GRM31M2C2H560JV01L (GRM42-6 CH) | T | 31.8/66.2 |
| C132 | 4030011730 | S.CER GRM31M2C2H101JV01L (GRM42-6 CH) | T | 50.2/68.7 |
| C133 | 4030011730 | S.CER GRM31M2C2H101JV01L (GRM42-6 CH) | T | 52.3/68.7 |
| C143 | 4030011240 | S.CER GRM31M2C2H470JV01L (GRM42-6 CH) | T | 28.7/30.1 |
| C145 | 4030011080 | S.CER GRM31M2C2H6R0DV01L (GRM42-6 CH) | T | 25.3/31.7 |
| C146 | 4030011230 | S.CER GRM31M2C2H390JV01L (GRM42-6 CH) | T | 30.8/30.1 |
| C147 | 4030011180 | S.CER GRM31M2C2H220JV01L (GRM42-6 CH) | T | 37.4/38.2 |
| C148 | 4030011510 | S.CER GRM31M2C2H560JV01L (GRM42-6 CH) | T | 56.1/28.8 |
| C149 | 4030011140 | S.CER GRM31M2C2H120JV01L (GRM42-6 CH) | T | 66.4/35.5 |
| C150 | 4030011210 | S.CER GRM31M2C2H330JV01L (GRM42-6 CH) | T | 54.0/28.8 |
| C151 | 4030011180 | S.CER GRM31M2C2H220JV01L (GRM42-6 CH) | T | 71.9/35.5 |
| C152 | 4030011080 | S.CER GRM31M2C2H6R0DV01L (GRM42-6 CH) | T | 74.0/35.5 |
| C153 | 4030011160 | S.CER GRM31M2C2H150JV01L (GRM42-6 CH) | T | 18.0/34.9 |
| C154 | 4030011060 | S.CER GRM31M2C2H4R0CY21L (GRM42-6 CH) | T | 68.5/35.5 |
| C156 | 4030006880 | S.CER C1608 JB 1H 472K-T | T | 87.3/40.1 |
| C157 | 4030006880 | S.CER C1608 JB 1H 472K-T | T | 4.0/47.4 |

M.=Mounted side (T: Mounted on the Top side, B: Mounted on the Bottom side)
S.=Surface mount

[FILTER UNIT]

| REF NO. | PARTS NO. | DESCRIPTION | M. | H/V LOCATION |
|---------|------------|--------------------------|----|--------------|
| C158 | 4030006880 | S.CER C1608 JB 1H 472K-T | T | 86.5/45.6 |
| C159 | 4030006860 | S.CER C1608 JB 1H 102K-T | T | 79.0/94.4 |
| C160 | 4030006860 | S.CER C1608 JB 1H 102K-T | T | 82.6/94.4 |
| C161 | 4030006860 | S.CER C1608 JB 1H 102K-T | T | 81.4/94.4 |
| C162 | 4030006860 | S.CER C1608 JB 1H 102K-T | T | 76.6/94.4 |
| C163 | 4030006860 | S.CER C1608 JB 1H 102K-T | T | 75.3/94.4 |
| C164 | 4030006860 | S.CER C1608 JB 1H 102K-T | T | 77.8/94.4 |
| C165 | 4030006860 | S.CER C1608 JB 1H 102K-T | T | 80.2/94.4 |
| C166 | 4030006860 | S.CER C1608 JB 1H 102K-T | T | 86.5/86.7 |
| C167 | 4030006880 | S.CER C1608 JB 1H 472K-T | T | 4.0/52.2 |
| RL21 | 6330001721 | REL ATN207-K1 | | |
| RL22 | 6330001721 | REL ATN207-K1 | | |
| RL41 | 6330001721 | REL ATN207-K1 | | |
| RL42 | 6330001721 | REL ATN207-K1 | | |
| RL61 | 6330001721 | REL ATN207-K1 | | |
| RL62 | 6330001721 | REL ATN207-K1 | | |
| RL81 | 6330001721 | REL ATN207-K1 | | |
| RL82 | 6330001721 | REL ATN207-K1 | | |
| RL101 | 6330001721 | REL ATN207-K1 | | |
| RL102 | 6330001721 | REL ATN207-K1 | | |
| RL121 | 6330001721 | REL ATN207-K1 | | |
| RL122 | 6330001721 | REL ATN207-K1 | | |
| RL141 | 6330001721 | REL ATN207-K1 | | |
| RL142 | 6330001721 | REL ATN207-K1 | | |
| J9 | 6510007020 | CON TMP-J01X-V6 | | |
| J10 | 6510007020 | CON TMP-J01X-V6 | | |
| J11 | 6510019971 | S.CON 52808-1071 | T | 80.5/89.2 |

[FRONT UNIT]

| REF NO. | PARTS NO. | DESCRIPTION | M. | H/V LOCATION |
|---------|------------|------------------------|----|--------------|
| SP1 | 2510001480 | SPE 4050P0802 <FG> | | |
| EP1 | 0880001360 | UNI EX-2500 #02 SENSOR | | |
| EP3 | 6450001230 | E.O HLJ0999-01-480 2 | | |

M.=Mounted side (T: Mounted on the Top side, B: Mounted on the Bottom side)
S.=Surface mount

[LOGIC UNIT]

| REF NO. | PARTS NO. | DESCRIPTION | M. | H/V LOCATION |
|---------|------------|------------------------------|----|--------------|
| IC1 | 1140014973 | S.IC M30620FCPGP(SX-3015A-3) | B | 61.7/48.2 |
| IC2 | 1130012430 | S.IC S-24CS64A01-T8T1G | B | 97.2/33.2 |
| IC3 | 1110006260 | S.IC BD5242G-TR | B | 10.4/64.3 |
| IC5 | 1180000421 | S.IC TA78L05F(TE12RF) | B | 50.1/13.4 |
| IC6 | 1180001071 | S.IC TA7805F(TE16LQ) | B | 171.6/48.2 |
| IC7 | 1130013580 | S.IC LC75813T-E | B | 97.6/50.5 |
| IC100 | 1180002080 | S.REG BA09FP-E2 | B | 161.3/62.7 |
| IC101 | 1180001071 | S.IC TA7805F(TE16LQ) | B | 130.7/59.3 |
| IC103 | 1130005721 | S.IC TCTW04F(TE12LF) | T | 69.9/25.2 |
| IC1071 | 1110001811 | S.IC TA7368FG(5ER) | T | 130.0/6.0 |
| Q1 | 1590000680 | S.TRA DTC114EUA T106 | B | 174.7/16.0 |
| Q51 | 1560001290 | S.FET 2SK3065 T100 | B | 71.2/5.8 |
| Q70 | 1540000441 | S.TRA 2SD1619T-TD-E | B | 151.7/41.7 |
| Q71 | 1590000680 | S.TRA DTC114EUA T106 | B | 158.8/43.9 |
| Q72 | 1590000680 | S.TRA DTC114EUA T106 | B | 158.8/41.4 |
| Q102 | 1590001650 | S.TRA XP4601(TX) | T | 71.1/19.6 |
| Q103 | 1590000680 | S.TRA DTC114EUA T106 | T | 41.7/32.1 |
| Q104 | 1590000680 | S.TRA DTC114EUA T106 | T | 36.7/26.0 |
| Q106 | 1590001330 | S.TRA DTA114EUA T106 | T | 33.7/35.1 |
| Q211 | 1530002060 | S.TRA 2SC4081 T106 R | B | 19.2/36.0 |
| Q212 | 1590001330 | S.TRA DTA114EUA T106 | T | 39.4/26.7 |
| D1 | 1160000070 | S.DIO DAN202K T146 | B | 22.0/26.4 |
| D2 | 1790001251 | S.DIO MA2S1110GL | B | 50.3/34.4 |
| D30 | 1790001251 | S.DIO MA2S1110GL | T | 142.1/55.0 |
| D31 | 1160000070 | S.DIO DAN202K T146 | T | 160.2/55.2 |
| D32 | 1790001251 | S.DIO MA2S1110GL | T | 142.1/51.1 |
| D33 | 1160000070 | S.DIO DAN202K T146 | T | 160.2/46.2 |
| D34 | 1790001251 | S.DIO MA2S1110GL | T | 142.1/37.0 |
| D35 | 1160000070 | S.DIO DAN202K T146 | T | 160.2/37.2 |
| D36 | 1790001251 | S.DIO MA2S1110GL | T | 142.1/28.0 |
| D37 | 1160000070 | S.DIO DAN202K T146 | T | 160.2/28.2 |
| D38 | 1790001251 | S.DIO MA2S1110GL | T | 141.0/64.3 |
| D39 | 1160000070 | S.DIO DAN202K T146 | T | 154.5/64.4 |
| D40 | 1790001251 | S.DIO MA2S1110GL | T | 142.1/17.3 |
| D41 | 1790001251 | S.DIO MA2S1110GL | T | 143.4/17.3 |
| D42 | 1160000070 | S.DIO DAN202K T146 | T | 79.2/23.2 |
| D43 | 1790001251 | S.DIO MA2S1110GL | T | 82.7/13.4 |
| D44 | 1790001251 | S.DIO MA2S1110GL | T | 76.2/22.8 |
| D45 | 1790001251 | S.DIO MA2S1110GL | B | 45.8/29.3 |
| D46 | 1730002531 | S.ZEN NNCD6.2G-T1-A | B | 139.4/21.0 |
| D47 | 1790001251 | S.DIO MA2S1110GL | B | 31.9/33.9 |
| D48 | 1790001251 | S.DIO MA2S1110GL [EUR] | B | 123.6/33.2 |
| | 1790001251 | S.DIO MA2S1110GL [ITR] | | |
| | 1790001251 | S.DIO MA2S1110GL [ESP] | | |
| | 1790001251 | S.DIO MA2S1110GL [EUR-01] | | |
| D49 | 1790001251 | S.DIO MA2S1110GL [USA] | B | 123.6/31.9 |
| | 1790001251 | S.DIO MA2S1110GL [EUR] | | |
| | 1790001251 | S.DIO MA2S1110GL [ITR] | | |
| | 1790001251 | S.DIO MA2S1110GL [ESP] | | |
| | 1790001251 | S.DIO MA2S1110GL [EUR-01] | | |
| | 1790001251 | S.DIO MA2S1110GL [KOR] | | |
| | 1790001251 | S.DIO MA2S1110GL [CHN] | | |
| | 1790001251 | S.DIO MA2S1110GL [EXP] | | |
| D50 | 1790001251 | S.DIO MA2S1110GL [USA] | B | 123.6/30.6 |
| | 1790001251 | S.DIO MA2S1110GL [EUR] | | |
| | 1790001251 | S.DIO MA2S1110GL [EUR-01] | | |
| | 1790001251 | S.DIO MA2S1110GL [CHN] | | |
| | 1790001251 | S.DIO MA2S1110GL [EXP] | | |
| D51 | 1790001251 | S.DIO MA2S1110GL [FRA] | B | 123.6/29.3 |
| | 1790001251 | S.DIO MA2S1110GL [ESP] | | |
| | 1790001251 | S.DIO MA2S1110GL [EUR-01] | | |
| | 1790001251 | S.DIO MA2S1110GL [KOR] | | |
| D52 | 1790001251 | S.DIO MA2S1110GL [EUR] | B | 123.6/28.0 |
| | 1790001251 | S.DIO MA2S1110GL [ESP] | | |
| | 1790001251 | S.DIO MA2S1110GL [EUR-01] | | |
| D53 | 1790001251 | S.DIO MA2S1110GL [USA] | B | 123.6/26.7 |
| | 1790001251 | S.DIO MA2S1110GL [EUR] | | |
| | 1790001251 | S.DIO MA2S1110GL [ESP] | | |
| | 1790001251 | S.DIO MA2S1110GL [EUR-01] | | |
| | 1790001251 | S.DIO MA2S1110GL [KOR] | | |
| | 1790001251 | S.DIO MA2S1110GL [CHN] | | |
| | 1790001251 | S.DIO MA2S1110GL [EXP] | | |
| D54 | 1790001251 | S.DIO MA2S1110GL [USA] | B | 123.6/25.4 |
| | 1790001251 | S.DIO MA2S1110GL [EUR] | | |
| | 1790001251 | S.DIO MA2S1110GL [EUR-01] | | |
| | 1790001251 | S.DIO MA2S1110GL [CHN] | | |
| | 1790001251 | S.DIO MA2S1110GL [EXP] | | |
| D55 | 1790001251 | S.DIO MA2S1110GL [FRA] | B | 123.6/24.1 |
| | 1790001251 | S.DIO MA2S1110GL [ESP] | | |
| | 1790001251 | S.DIO MA2S1110GL [EUR-01] | | |
| | 1790001251 | S.DIO MA2S1110GL [KOR] | | |
| D56 | 1160000070 | S.DIO DAN202K T146 | B | 22.0/32.4 |
| D57 | 1790001251 | S.DIO MA2S1110GL [USA] | B | 119.3/31.8 |
| | 1790001251 | S.DIO MA2S1110GL [EUR] | | |
| | 1790001251 | S.DIO MA2S1110GL [FRA] | | |
| | 1790001251 | S.DIO MA2S1110GL [EUR-01] | | |
| | 1790001251 | S.DIO MA2S1110GL [KOR] | | |
| | 1790001251 | S.DIO MA2S1110GL [CHN] | | |
| | 1790001251 | S.DIO MA2S1110GL [EXP] | | |
| D58 | 1790001251 | S.DIO MA2S1110GL | B | 119.3/30.6 |
| D59 | 1790001251 | S.DIO MA2S1110GL | B | 119.3/29.3 |
| D61 | 1790001251 | S.DIO MA2S1110GL | B | 119.3/26.7 |
| D62 | 1790001251 | S.DIO MA2S1110GL | B | 119.3/25.4 |

[LOGIC UNIT]

| REF NO. | PARTS NO. | DESCRIPTION | M. | H/V LOCATION |
|---------|------------|--|----|--------------|
| D63 | 1790001251 | S.DIO MA2S1110GL [USA] | B | 119.3/24.1 |
| | 1790001251 | S.DIO MA2S1110GL [EUR] | | |
| | 1790001251 | S.DIO MA2S1110GL [ITR] | | |
| | 1790001251 | S.DIO MA2S1110GL [ESP] | | |
| | 1790001251 | S.DIO MA2S1110GL [EUR-01] | | |
| | 1790001251 | S.DIO MA2S1110GL [KOR] | | |
| | 1790001251 | S.DIO MA2S1110GL [CHN] | | |
| | 1790001251 | S.DIO MA2S1110GL [EXP] | | |
| D64 | 1790001251 | S.DIO MA2S1110GL | B | 116.7/24.1 |
| D80 | 1730002321 | S.ZEN MAZ8051GML | B | 159.3/38.6 |
| D81 | 1790001251 | S.DIO MA2S1110GL | B | 157.7/39.0 |
| D102 | 1790001251 | S.DIO MA2S1110GL | T | 73.0/18.2 |
| D104 | 1750000370 | S.DIO DA221 TL | T | 33.5/27.3 |
| D120 | 1750000370 | S.DIO DA221 TL | T | 35.9/43.9 |
| D121 | 1750000370 | S.DIO DA221 TL | T | 35.9/45.9 |
| D122 | 1750000370 | S.DIO DA221 TL | T | 35.4/38.6 |
| D123 | 1750000370 | S.DIO DA221 TL | T | 35.9/41.9 |
| D124 | 1750000370 | S.DIO DA221 TL | T | 35.6/29.5 |
| D125 | 1750000370 | S.DIO DA221 TL | T | 38.5/34.7 |
| D126 | 1750000370 | S.DIO DA221 TL | B | 30.3/31.5 |
| D180 | 1750000370 | S.DIO DA221 TL | T | 37.9/30.0 |
| D194 | 1750000370 | S.DIO DA221 TL | B | 27.3/32.7 |
| D211 | 1790001251 | S.DIO MA2S1110GL | B | 21.7/38.6 |
| X1 | 6050010501 | S.XTA CR-636A SMD-49 14.7456 MHz <KDS> | B | 64.6/62.4 |
| L1 | 6200003261 | S.COI NLV32T-101J | B | 46.0/33.1 |
| L2 | 6200003261 | S.COI NLV32T-101J | T | 66.4/13.0 |
| L3 | 6200002041 | S.COI NLV25T-101J | T | 72.8/13.0 |
| L40 | 6200003261 | S.COI NLV32T-101J | B | 136.9/17.4 |
| L41 | 6200002041 | S.COI NLV25T-101J | B | 56.3/5.7 |
| L42 | 6200002041 | S.COI NLV25T-101J | B | 56.3/3.2 |
| L70 | 6200003261 | S.COI NLV32T-101J | T | 30.2/35.7 |
| L100 | 6200003261 | S.COI NLV32T-101J | T | 67.8/29.5 |
| L105 | 6200003261 | S.COI NLV32T-101J | B | 160.8/27.6 |
| L1073 | 6200003261 | S.COI NLV32T-101J | B | 123.8/36.5 |
| R1 | 7030003860 | S.RES ERJ3GE JPW V | B | 87.0/49.0 |
| R2 | 7030003630 | S.RES ERJ3GEYJ 393 V (39K) | B | 87.0/51.6 |
| R3 | 7030003630 | S.RES ERJ3GEYJ 393 V (39K) | B | 87.0/54.2 |
| R4 | 7030003630 | S.RES ERJ3GEYJ 393 V (39K) | B | 85.1/54.7 |
| R5 | 7030005671 | S.RES ERA3YKD 393V (39K) | B | 85.3/58.8 |
| R6 | 7030003680 | S.RES ERJ3GEYJ 104 V (100K) | B | 85.3/60.1 |
| R7 | 7030003440 | S.RES ERJ3GEYJ 102 V (1K) | B | 170.5/16.2 |
| R18 | 7030006220 | S.RES ERJ12YJ470U (47) | B | 45.7/13.6 |
| R19 | 7030010250 | S.RES ERJ1TYJ 0R00U | B | 159.8/49.9 |
| R20 | 7030003640 | S.RES ERJ3GEYJ 473 V (47K) | B | 17.9/64.0 |
| R21 | 7030003630 | S.RES ERJ3GEYJ 393 V (39K) | B | 14.0/63.6 |
| R22 | 7030003560 | S.RES ERJ3GEYJ 103 V (10K) | B | 13.9/65.4 |
| R24 | 7030003560 | S.RES ERJ3GEYJ 103 V (10K) | B | 96.5/29.4 |
| R25 | 7030003600 | S.RES ERJ3GEYJ 223 V (22K) | B | 96.5/30.7 |
| R31 | 7030003640 | S.RES ERJ3GEYJ 473 V (47K) | B | 50.2/33.1 |
| R36 | 7030003640 | S.RES ERJ3GEYJ 473 V (47K) | T | 143.4/55.1 |
| R37 | 7030003640 | S.RES ERJ3GEYJ 473 V (47K) | T | 143.4/51.1 |
| R38 | 7030003640 | S.RES ERJ3GEYJ 473 V (47K) | T | 143.4/37.1 |
| R39 | 7030003640 | S.RES ERJ3GEYJ 473 V (47K) | T | 143.4/28.1 |
| R40 | 7030003640 | S.RES ERJ3GEYJ 473 V (47K) | T | 142.3/64.3 |
| R41 | 7030003640 | S.RES ERJ3GEYJ 473 V (47K) | T | 144.7/17.4 |
| R42 | 7030003640 | S.RES ERJ3GEYJ 473 V (47K) | T | 81.2/21.5 |
| R43 | 7030003640 | S.RES ERJ3GEYJ 473 V (47K) | T | 76.3/21.5 |
| R49 | 7030003720 | S.RES ERJ3GEYJ 224 V (220K) | B | 139.9/18.6 |
| R51 | 7030003440 | S.RES ERJ3GEYJ 102 V (1K) | B | 21.8/34.8 |
| R52 | 7030003480 | S.RES ERJ3GEYJ 222 V (2.2K) | B | 21.8/30.1 |
| R53 | 7030003480 | S.RES ERJ3GEYJ 222 V (2.2K) | B | 19.1/30.1 |
| R54 | 7030003720 | S.RES ERJ3GEYJ 224 V (220K) | B | 142.5/20.7 |
| R55 | 7030003520 | S.RES ERJ3GEYJ 472 V (4.7K) | B | 19.1/31.4 |
| R56 | 7030003440 | S.RES ERJ3GEYJ 102 V (1K) | B | 72.3/8.9 |
| R57 | 7030003560 | S.RES ERJ3GEYJ 103 V (10K) | B | 74.6/6.5 |
| R59 | 7030003560 | S.RES ERJ3GEYJ 103 V (10K) | T | 41.7/28.1 |
| R60 | 7030003440 | S.RES ERJ3GEYJ 102 V (1K) | B | 152.8/26.9 |
| R61 | 7030003440 | S.RES ERJ3GEYJ 102 V (1K) | B | 154.8/26.9 |
| R62 | 7030003480 | S.RES ERJ3GEYJ 222 V (2.2K) | B | 29.3/33.1 |
| R63 | 7030003480 | S.RES ERJ3GEYJ 222 V (2.2K) | B | 29.3/34.3 |
| R64 | 7030003440 | S.RES ERJ3GEYJ 102 V (1K) | B | 156.8/26.9 |
| R66 | 7030003440 | S.RES ERJ3GEYJ 102 V (1K) | B | 139.9/17.3 |
| R67 | 7030003440 | S.RES ERJ3GEYJ 102 V (1K) | B | 142.5/22.0 |
| R70 | 7030003380 | S.RES ERJ3GEYJ 331 V (330) | B | 155.9/40.9 |
| R71 | 7030003410 | S.RES ERJ3GEYJ 561 V (560) | B | 155.9/44.8 |
| R72 | 7030003430 | S.RES ERJ3GEYJ 821 V (820) | B | 155.9/43.5 |
| R73 | 7030003510 | S.RES ERJ3GEYJ 392 V (3.9K) | B | 155.9/42.2 |
| R74 | 7030003440 | S.RES ERJ3GEYJ 102 V (1K) | B | 155.9/46.1 |
| R75 | 7030009800 | S.RES ERJ12YJ121U (120) | B | 142.9/44.0 |
| R76 | 7030003440 | S.RES ERJ3GEYJ 102 V (1K) | T | 19.2/24.5 |
| R77 | 7030003440 | S.RES ERJ3GEYJ 102 V (1K) | T | 18.4/26.7 |
| R78 | 7030003440 | S.RES ERJ3GEYJ 102 V (1K) | T | 18.4/32.7 |
| R79 | 7030003440 | S.RES ERJ3GEYJ 102 V (1K) | T | 18.4/29.7 |
| R80 | 7030003420 | S.RES ERJ3GEYJ 681 V (680) | B | 156.4/39.0 |
| R81 | 7030009800 | S.RES ERJ12YJ121U (120) | B | 146.6/44.0 |
| R82 | 7030009800 | S.RES ERJ12YJ121U (120) | B | 139.1/44.0 |
| R100 | 7030003680 | S.RES ERJ3GEYJ 104 V (100K) | T | 70.4/29.6 |
| R101 | 7030003680 | S.RES ERJ3GEYJ 104 V (100K) | T | 71.7/29.6 |
| R102 | 7030003680 | S.RES ERJ3GEYJ 104 V (100K) | T | 67.9/20.8 |
| R103 | 7030003590 | S.RES ERJ3GEYJ 183 V (18K) | T | 69.2/20.8 |
| R104 | 7030003540 | S.RES ERJ3GEYJ 682 V (6.8K) | T | 67.9/18.2 |

M.=Mounted side (T: Mounted on the Top side, B: Mounted on the Bottom side) S.=Surface mount

[LOGIC UNIT]

| REF NO. | PARTS NO. | DESCRIPTION | M. | H/V LOCATION |
|---------|------------|-----------------------------|----|--------------|
| R105 | 7030003620 | S.RES ERJ3GEYJ 333 V (33K) | T | 71.0/17.4 |
| R106 | 7030003640 | S.RES ERJ3GEYJ 473 V (47K) | T | 71.1/21.6 |
| R107 | 7030003600 | S.RES ERJ3GEYJ 223 V (22K) | B | 7.6/32.7 |
| R108 | 7030003380 | S.RES ERJ3GEYJ 331 V (330) | T | 33.4/37.5 |
| R109 | 7030010500 | S.RES ERJ1TVJ 2R2U | B | 155.1/55.6 |
| R110 | 7030010250 | S.RES ERJ1TVJ 0R00U | B | 142.6/54.8 |
| R113 | 7030003860 | S.RES ERJ3GE JPW V | T | 73.2/21.9 |
| R114 | 7030003440 | S.RES ERJ3GEYJ 102 V (1K) | T | 33.9/25.6 |
| R115 | 7030003800 | S.RES ERJ3GEYJ 105 V (1M) | T | 31.4/26.4 |
| R126 | 7030003360 | S.RES ERJ3GEYJ 221 V (220) | T | 38.8/42.3 |
| R127 | 7030003360 | S.RES ERJ3GEYJ 221 V (220) | T | 38.8/40.9 |
| R151 | 7030003360 | S.RES ERJ3GEYJ 221 V (220) | T | 41.4/42.5 |
| R152 | 7030003360 | S.RES ERJ3GEYJ 221 V (220) | T | 41.4/41.2 |
| R153 | 7030003640 | S.RES ERJ3GEYJ 473 V (47K) | T | 30.0/58.9 |
| R154 | 7030003360 | S.RES ERJ3GEYJ 221 V (220) | B | 29.6/29.3 |
| R155 | 7030003360 | S.RES ERJ3GEYJ 221 V (220) | T | 41.4/43.8 |
| R156 | 7030003360 | S.RES ERJ3GEYJ 221 V (220) | T | 41.4/45.1 |
| R157 | 7030003360 | S.RES ERJ3GEYJ 221 V (220) | T | 33.2/29.5 |
| R158 | 7030003360 | S.RES ERJ3GEYJ 221 V (220) | B | 31.0/29.3 |
| R159 | 7030003360 | S.RES ERJ3GEYJ 221 V (220) | B | 33.6/29.3 |
| R162 | 7030003640 | S.RES ERJ3GEYJ 473 V (47K) | T | 35.2/56.4 |
| R163 | 7030003440 | S.RES ERJ3GEYJ 102 V (1K) | B | 40.0/30.3 |
| R169 | 7030003360 | S.RES ERJ3GEYJ 221 V (220) | B | 32.3/29.3 |
| R171 | 7030003360 | S.RES ERJ3GEYJ 221 V (220) | B | 34.4/54.8 |
| R172 | 7030003360 | S.RES ERJ3GEYJ 221 V (220) | B | 36.9/50.7 |
| R173 | 7030006571 | S.RES ERA3YED 392V (3.9K) | T | 39.2/39.0 |
| R174 | 7030006101 | S.RES ERA3YED 183V (18K) | T | 37.5/32.9 |
| R175 | 7030003360 | S.RES ERJ3GEYJ 221 V (220) | T | 28.7/58.9 |
| R176 | 7030003360 | S.RES ERJ3GEYJ 221 V (220) | B | 35.6/50.3 |
| R177 | 7030003360 | S.RES ERJ3GEYJ 221 V (220) | B | 34.3/50.3 |
| R180 | 7030003640 | S.RES ERJ3GEYJ 473 V (47K) | T | 39.5/29.8 |
| R181 | 7030003640 | S.RES ERJ3GEYJ 473 V (47K) | T | 35.5/40.2 |
| R182 | 7030003640 | S.RES ERJ3GEYJ 473 V (47K) | T | 35.3/37.0 |
| R183 | 7030003440 | S.RES ERJ3GEYJ 102 V (1K) | T | 35.4/31.1 |
| R197 | 7030003480 | S.RES ERJ3GEYJ 222 V (2.2K) | B | 21.8/28.7 |
| R198 | 7030003480 | S.RES ERJ3GEYJ 222 V (2.2K) | B | 19.8/28.0 |
| R199 | 7030003520 | S.RES ERJ3GEYJ 472 V (4.7K) | B | 18.6/26.6 |
| R201 | 7030003440 | S.RES ERJ3GEYJ 102 V (1K) | B | 21.7/24.0 |
| R202 | 7030003440 | S.RES ERJ3GEYJ 102 V (1K) | B | 52.8/33.1 |
| R203 | 7030003440 | S.RES ERJ3GEYJ 102 V (1K) | B | 56.1/37.3 |
| R204 | 7030003440 | S.RES ERJ3GEYJ 102 V (1K) | B | 57.2/34.6 |
| R205 | 7030003440 | S.RES ERJ3GEYJ 102 V (1K) | B | 57.5/37.3 |
| R206 | 7030003440 | S.RES ERJ3GEYJ 102 V (1K) | B | 58.7/34.7 |
| R207 | 7030003440 | S.RES ERJ3GEYJ 102 V (1K) | B | 60.0/37.3 |
| R211 | 7030003640 | S.RES ERJ3GEYJ 473 V (47K) | B | 21.7/37.3 |
| R212 | 7030003360 | S.RES ERJ3GEYJ 221 V (220) | B | 33.0/50.3 |
| R213 | 7030003520 | S.RES ERJ3GEYJ 472 V (4.7K) | B | 23.6/36.8 |
| R214 | 7030003620 | S.RES ERJ3GEYJ 333 V (33K) | B | 21.7/36.0 |
| R215 | 7030003580 | S.RES ERJ3GEYJ 153 V (15K) | B | 19.1/34.0 |
| R216 | 7030003440 | S.RES ERJ3GEYJ 102 V (1K) | T | 76.2/24.1 |
| R217 | 7030003440 | S.RES ERJ3GEYJ 102 V (1K) | T | 83.0/23.4 |
| R218 | 7030003440 | S.RES ERJ3GEYJ 102 V (1K) | T | 83.0/24.7 |
| R219 | 7030003440 | S.RES ERJ3GEYJ 102 V (1K) | T | 83.0/26.0 |
| R220 | 7030003440 | S.RES ERJ3GEYJ 102 V (1K) | T | 83.0/27.3 |
| R221 | 7030003440 | S.RES ERJ3GEYJ 102 V (1K) | T | 83.0/28.6 |
| R227 | 7030003200 | S.RES ERJ3GEYJ 100 V (10) | B | 137.0/21.3 |
| R228 | 7030003360 | S.RES ERJ3GEYJ 221 V (220) | T | 39.8/55.6 |
| R229 | 7030003360 | S.RES ERJ3GEYJ 221 V (220) | T | 32.5/58.9 |
| R230 | 7030003360 | S.RES ERJ3GEYJ 221 V (220) | T | 33.8/58.9 |
| R231 | 7030003360 | S.RES ERJ3GEYJ 221 V (220) | T | 35.1/58.9 |
| R232 | 7030003360 | S.RES ERJ3GEYJ 221 V (220) | T | 36.4/58.9 |
| R233 | 7030003360 | S.RES ERJ3GEYJ 221 V (220) | T | 37.7/58.9 |
| R234 | 7030003360 | S.RES ERJ3GEYJ 221 V (220) | B | 42.7/55.4 |
| R235 | 7030003360 | S.RES ERJ3GEYJ 221 V (220) | T | 38.5/55.6 |
| R236 | 7030003360 | S.RES ERJ3GEYJ 221 V (220) | B | 40.1/55.4 |
| R237 | 7030003360 | S.RES ERJ3GEYJ 221 V (220) | B | 44.0/55.4 |
| R238 | 7030003360 | S.RES ERJ3GEYJ 221 V (220) | B | 38.8/55.4 |
| R239 | 7030003860 | S.RES ERJ3GE JPW V | T | 38.8/43.5 |
| R301 | 7030003640 | S.RES ERJ3GEYJ 473 V (47K) | B | 75.9/53.4 |
| R302 | 7030003640 | S.RES ERJ3GEYJ 473 V (47K) | B | 81.6/55.8 |
| R303 | 7030003640 | S.RES ERJ3GEYJ 473 V (47K) | B | 81.6/54.5 |
| R304 | 7030003640 | S.RES ERJ3GEYJ 473 V (47K) | B | 74.6/53.4 |
| R305 | 7030003560 | S.RES ERJ3GEYJ 103 V (10K) | B | 72.7/64.1 |
| R306 | 7030003680 | S.RES ERJ3GEYJ 104 V (100K) | B | 75.3/64.1 |
| R307 | 7030003640 | S.RES ERJ3GEYJ 473 V (47K) | B | 74.0/64.1 |
| R1071 | 7030003530 | S.RES ERJ3GEYJ 562 V (5.6K) | T | 129.7/13.8 |
| R1072 | 7030003410 | S.RES ERJ3GEYJ 561 V (560) | T | 129.6/12.6 |
| R1073 | 7030003860 | S.RES ERJ3GE JPW V | T | 132.4/12.0 |
| R1074 | 7030003860 | S.RES ERJ3GE JPW V | T | 127.9/11.3 |
| R1075 | 7030003360 | S.RES ERJ3GEYJ 221 V (220) | T | 41.0/55.6 |
| R1076 | 7030003360 | S.RES ERJ3GEYJ 221 V (220) | B | 41.4/55.4 |
| R1077 | 7030003360 | S.RES ERJ3GEYJ 221 V (220) | B | 37.5/55.1 |
| R1078 | 7030003360 | S.RES ERJ3GEYJ 221 V (220) | B | 36.2/55.1 |
| R1079 | 7030003640 | S.RES ERJ3GEYJ 473 V (47K) | T | 65.9/33.4 |
| R1080 | 7030003640 | S.RES ERJ3GEYJ 473 V (47K) | T | 66.2/32.1 |
| R1081 | 7030003360 | S.RES ERJ3GEYJ 221 V (220) | B | 54.6/65.4 |
| R1082 | 7030003360 | S.RES ERJ3GEYJ 221 V (220) | B | 51.9/65.6 |
| R1083 | 7030003360 | S.RES ERJ3GEYJ 221 V (220) | B | 46.6/56.5 |
| R1084 | 7030003360 | S.RES ERJ3GEYJ 221 V (220) | B | 45.3/56.5 |
| R1085 | 7030003640 | S.RES ERJ3GEYJ 473 V (47K) | T | 39.6/58.8 |
| C1 | 4030007020 | S.CER C1608 CH 1H 120J-T | B | 61.1/59.1 |
| C2 | 4030007020 | S.CER C1608 CH 1H 120J-T | B | 66.3/59.1 |
| C4 | 4030006900 | S.CER C1608 JB 1H 103K-T | B | 99.1/30.7 |
| C8 | 4030011600 | S.CER C1608 JB 1E 104K-T | B | 12.7/63.6 |
| C9 | 4030008890 | S.CER C1608 JB 1H 273K-T | B | 10.8/62.0 |
| C11 | 4030011600 | S.CER C1608 JB 1E 104K-T | B | 49.0/77.9 |

[LOGIC UNIT]

| REF NO. | PARTS NO. | DESCRIPTION | M. | H/V LOCATION |
|---------|------------|-----------------------------|-----|--------------|
| C12 | 4030018960 | S.CER C3216 JB 1C 106MT-N | B | 49.8/9.6 |
| C13 | 4030019490 | S.CER C2012 JB 1A 106K-T | B | 53.5/12.6 |
| C14 | 4030011600 | S.CER C1608 JB 1E 104K-T | B | 55.5/13.7 |
| C15 | 4030011600 | S.CER C1608 JB 1E 104K-T | B | 164.7/46.7 |
| C16 | 4030019490 | S.CER C2012 JB 1A 106K-T | B | 163.0/47.5 |
| C17 | 4030019490 | S.CER C2012 JB 1A 106K-T | B | 163.4/28.0 |
| C18 | 4030011600 | S.CER C1608 JB 1E 104K-T | B | 164.7/50.0 |
| C19 | 4030019490 | S.CER C2012 JB 1A 106K-T | B | 85.4/46.6 |
| C20 | 4030011600 | S.CER C1608 JB 1E 104K-T | B | 85.8/49.0 |
| C21 | 4030007090 | S.CER C1608 CH 1H 470J-T | B | 85.8/51.6 |
| C22 | 4030007090 | S.CER C1608 CH 1H 470J-T | B | 85.1/53.4 |
| C23 | 4030007090 | S.CER C1608 CH 1H 470J-T | B | 85.1/56.0 |
| C24 | 4030006880 | S.CER C1608 JB 1H 102K-T | B | 85.3/57.5 |
| C25 | 4030011600 | S.CER C1608 JB 1E 104K-T | B | 61.3/37.3 |
| C26 | 4030017490 | S.CER C1608 JB 1A 105K-T | B | 51.5/52.2 |
| C27 | 4030011600 | S.CER C1608 JB 1E 104K-T | B | 63.7/59.1 |
| C28 | 4030017490 | S.CER C1608 JB 1A 105K-T | B | 51.5/54.8 |
| C44 | 4030006880 | S.CER C1608 JB 1H 472K-T | B | 151.5/26.9 |
| C45 | 4030006880 | S.CER C1608 JB 1H 472K-T | B | 155.5/28.7 |
| C47 | 4030006880 | S.CER C1608 JB 1H 472K-T | B | 66.1/3.4 |
| C49 | 4030006880 | S.CER C1608 JB 1H 472K-T | B | 158.1/28.7 |
| C50 | 4030006880 | S.CER C1608 JB 1H 472K-T | B | 25.7/32.6 |
| C70 | 4030006880 | S.CER C1608 JB 1H 472K-T | T | 15.6/29.6 |
| C71 | 4030006880 | S.CER C1608 JB 1H 472K-T | T | 16.9/33.9 |
| C72 | 4030006880 | S.CER C1608 JB 1H 472K-T | T | 15.6/28.3 |
| C73 | 4030006880 | S.CER C1608 JB 1H 472K-T | T | 16.0/25.8 |
| C74 | 4030017490 | S.CER C1608 JB 1A 105K-T | B | 155.1/39.0 |
| C101 | 4030011600 | S.CER C1608 JB 1E 104K-T | T | 66.5/26.5 |
| C102 | 4030006880 | S.CER C1608 JB 1H 472K-T | T | 36.5/27.9 |
| C103 | 4030012610 | S.CER C2012 JB 1C 474K-T | T | 66.2/23.4 |
| C104 | 4030011600 | S.CER C1608 JB 1E 104K-T | B | 138.1/60.8 |
| C105 | 4030011600 | S.CER C1608 JB 1E 104K-T | B | 155.8/61.3 |
| C106 | 4030019490 | S.CER C2012 JB 1A 106K-T | B | 139.8/61.3 |
| C107 | 4030011600 | S.CER C1608 JB 1E 104K-T | B | 155.8/64.2 |
| C108 | 4030019490 | S.CER C2012 JB 1A 106K-T | B | 136.5/54.5 |
| C109 | 4030019490 | S.CER C2012 JB 1A 106K-T | B | 154.1/63.4 |
| C110 | 4030011600 | S.CER C1608 JB 1E 104K-T | B | 138.1/57.9 |
| C158 | 4030017490 | S.CER C1608 JB 1A 105K-T | B | 39.7/37.4 |
| C170 | 4030006880 | S.CER C1608 JB 1H 472K-T | B | 23.6/23.6 |
| C171 | 4030006880 | S.CER C1608 JB 1H 472K-T | T | 39.2/37.7 |
| C172 | 4030018910 | S.CER C1608 JB 0J 475K-T | T | 38.4/36.4 |
| C211 | 4030006880 | S.CER C1608 JB 1H 472K-T | B | 19.1/32.7 |
| C212 | 4030011600 | S.CER C1608 JB 1E 104K-T | B | 19.1/38.5 |
| C1071 | 4030011600 | S.CER C1608 JB 1E 104K-T | B | 127.9/14.6 |
| C1072 | 4510009700 | S.ELE EEEFK1C101P | B | 128.3/19.3 |
| C1073 | 4510009820 | S.ELE EEEFK1C470P | B | 129.2/5.1 |
| C1074 | 4510009820 | S.ELE EEEFK1C470P | B | 129.2/12.2 |
| J1 | 6510018971 | S.CON B4B-PH-SM4-TB(LF)(SN) | B | 140.8/29.5 |
| J3 | 6510019971 | S.CON 52808-1071 | B | 157.3/22.7 |
| J4 | 6510019971 | S.CON 52808-1071 | B | 61.1/77.7 |
| J5 | 6510019971 | S.CON 52808-1071 | B | 9.4/29.2 |
| J101 | 6510024151 | S.CON 50FY-BMT-TB(LF)(SN) | B | 39.3/25.8 |
| J102 | 6510024151 | S.CON 50FY-BMT-TB(LF)(SN) | B | 39.3/61.0 |
| J301 | 6510019971 | S.CON 52808-1071 | B | 77.2/59.5 |
| DS1 | 5030003090 | LCD S11325 <SUC> | T | 172.6/14.3 |
| DS2 | 5040002940 | S.LED TLYU1002A(T02) | T | 61.6/49.2 |
| DS70 | 5040002940 | S.LED TLYU1002A(T02) | T | 53.1/49.2 |
| DS71 | 5040002940 | S.LED TLYU1002A(T02) | T | 51.1/59.2 |
| DS73 | 5040002940 | S.LED TLYU1002A(T02) | T | 63.6/59.2 |
| DS74 | 5040002940 | S.LED TLYU1002A(T02) | T | 61.6/59.2 |
| DS76 | 5040002940 | S.LED TLYU1002A(T02) | T | 70.1/59.2 |
| DS77 | 5040002940 | S.LED TLYU1002A(T02) | T | 70.1/49.2 |
| DS79 | 5040002940 | S.LED TLYU1002A(T02) | T | 78.6/59.2 |
| DS80 | 5040002940 | S.LED TLYU1002A(T02) | T | 78.6/49.2 |
| DS82 | 5040002940 | S.LED TLYU1002A(T02) | T | 87.1/59.2 |
| DS83 | 5040002940 | S.LED TLYU1002A(T02) | T | 87.1/49.2 |
| DS85 | 5040002940 | S.LED TLYU1002A(T02) | T | 95.6/59.2 |
| DS86 | 5040002940 | S.LED TLYU1002A(T02) | T | 95.6/49.2 |
| DS88 | 5040002940 | S.LED TLYU1002A(T02) | T | 104.1/59.2 |
| DS89 | 5040002940 | S.LED TLYU1002A(T02) | T | 104.1/49.2 |
| EP2 | 8930076650 | LCD SRCN-3015-SP-N-W (SHJ) | | |
| EP4 | 6910012350 | S.BEA MMZ1608Y 102BT | B | 63.8/15.0 |
| EP5 | 6910012350 | S.BEA MMZ1608Y 102BT | B | 12.5/24.9 |
| EP6 | 6910012350 | S.BEA MMZ1608Y 102BT | B | 21.6/21.4 |
| EP45 | 6910012350 | S.BEA MMZ1608Y 102BT | B | 57.3/10.2 |
| EP46 | 6910012350 | S.BEA MMZ1608Y 102BT | B | 57.3/8.3 |
| EP47 | 6910018930 | S.BEA MPZ2012S601A | T | 41.9/23.3 |
| EP48 | 6910018930 | S.BEA MPZ2012S601A | T | 41.9/21.5 |
| EP49 | 6910018930 | S.BEA MPZ2012S601A | B | 41.1/21.2 |
| EP50 | 6910018930 | S.BEA MPZ2012S601A | B | 45.6/21.0 |
| EP51 | 6910018930 | S.BEA MPZ2012S601A | B | 65.5/7.5 |
| EP52 | 6910018930 | S.BEA MPZ2012S601A | B | 65.5/11.2 |
| EP53 | 6910018930 | S.BEA MPZ2012S601A | B | 8.8/25.3 |
| EP54 | 6910018930 | S.BEA MPZ2012S601A | B</ | |

[VR-A UNIT]

| REF NO. | PARTS NO. | DESCRIPTION | M. | H/V LOCATION |
|---------|------------|---------------------------------|----|--------------|
| R1 | 7210002910 | VAR RV-310(RK0972210 10KB/10KB) | | |
| R2 | 7210002960 | VAR RV-313(RK0972210 10KB/10KB) | | |
| J1 | 6510026670 | S.CON IMSA-6281S-06Y900 | T | 21.7/5.1 |

[VR-B UNIT]

| REF NO. | PARTS NO. | DESCRIPTION | M. | H/V LOCATION |
|---------|------------|------------------------------|----|--------------|
| J1 | 6510020711 | S.CON 52793-1070(1090) | T | 9.2/2.4 |
| S1 | 2250000640 | ENC TP96D96E20-22F-10KB-3015 | | |

M.=Mounted side (T: Mounted on the Top side, B: Mounted on the Bottom side)
S.=Surface mount

[MIC UNIT]

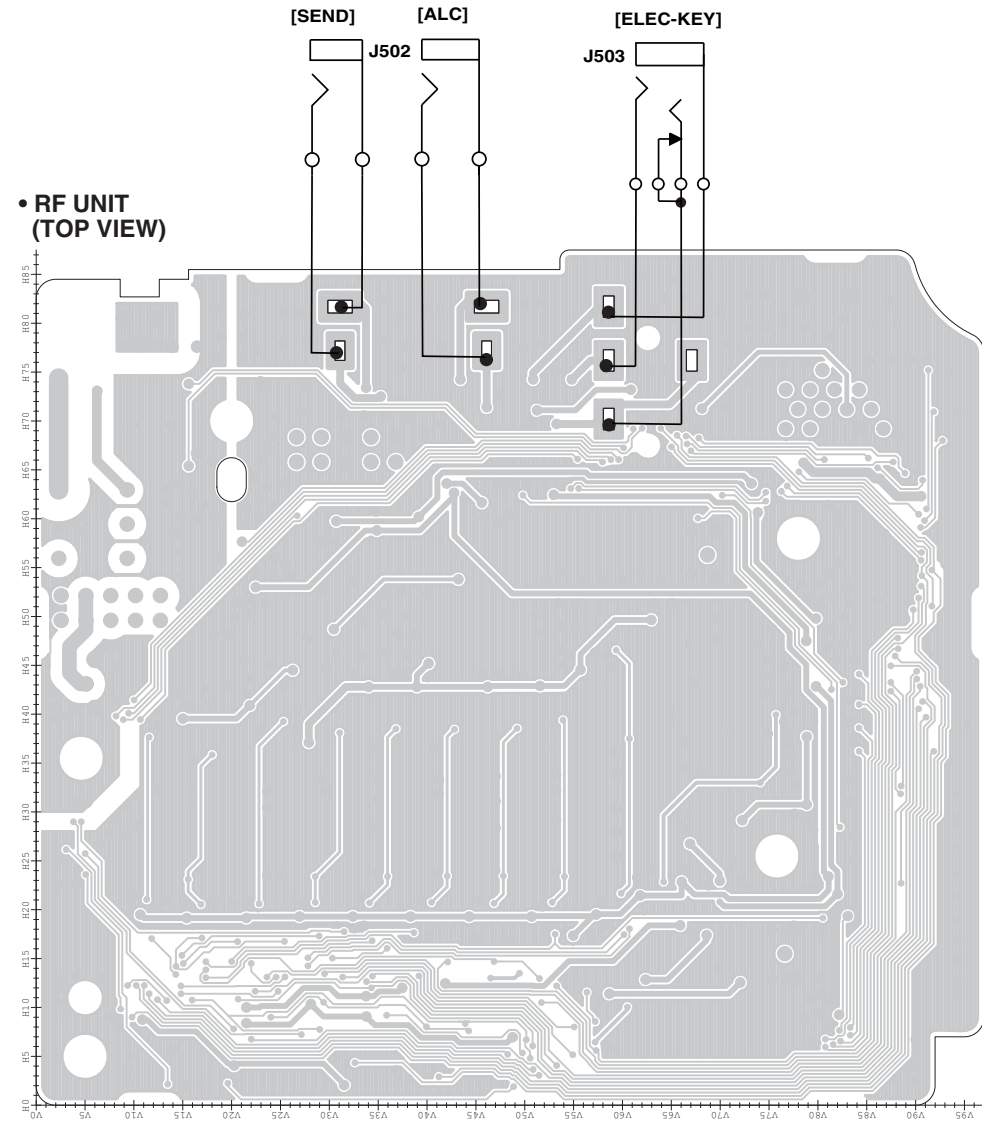
| REF NO. | PARTS NO. | DESCRIPTION | M. | H/V LOCATION |
|---------|------------|--------------------|----|--------------|
| J1 | 6510000191 | CON FM214-8SS(P)-1 | | |
| J2 | 6510019971 | S.CON 52808-1071 | B | 18.1/6.5 |

[PHONE UNIT]

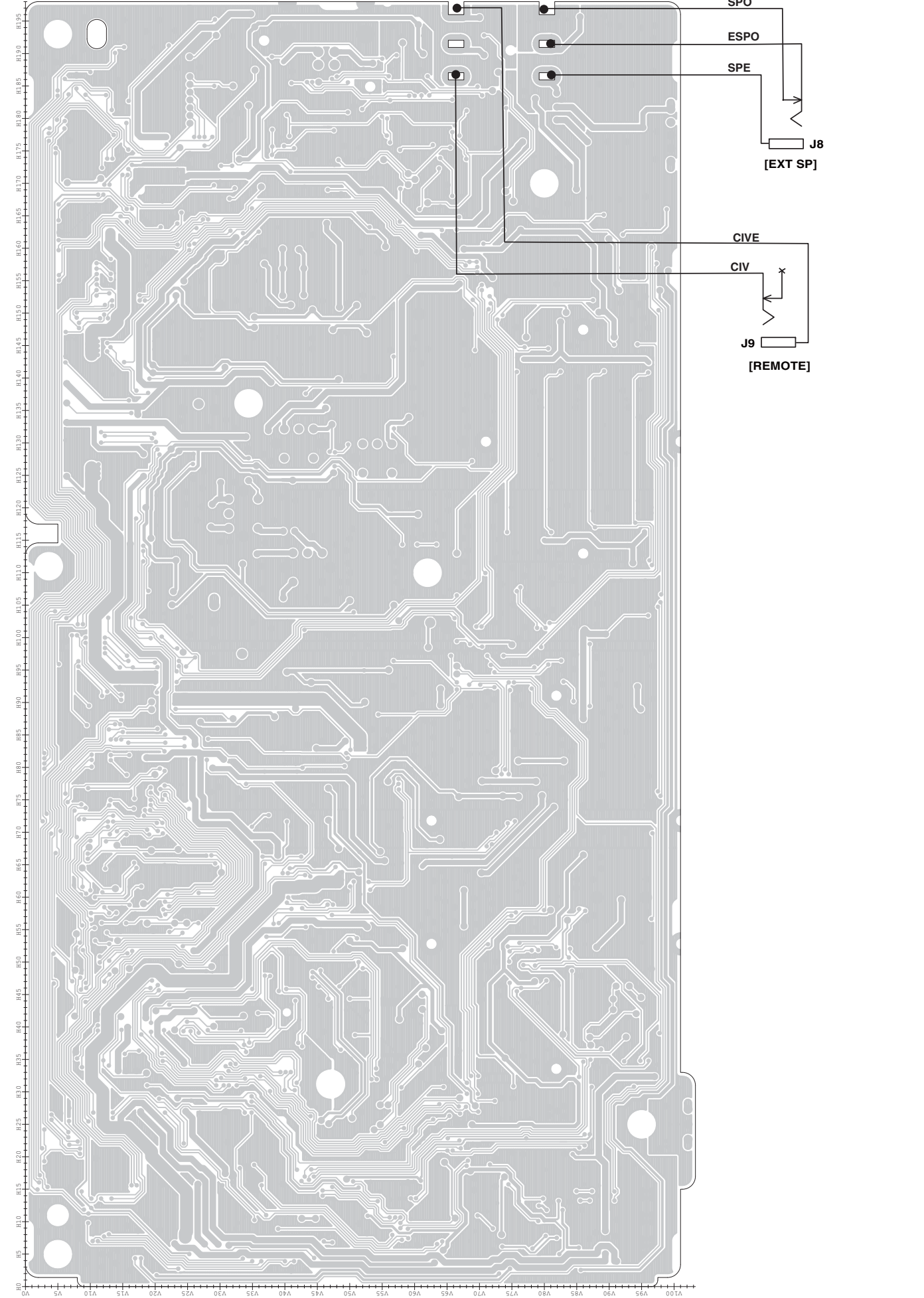
| REF NO. | PARTS NO. | DESCRIPTION | M. | H/V LOCATION |
|---------|------------|---------------------------|----|--------------|
| R1 | 7030006070 | S.RES ERJ12YJ101U (100) | T | 24.6/5.0 |
| R2 | 7030006070 | S.RES ERJ12YJ101U (100) | T | 24.6/10.1 |
| R3 | 7030003440 | S.RES ERJ3GEYJ 102 V (1K) | T | 23.1/12.6 |
| C1 | 4030006880 | S.CER C1608 JB 1H 472K-T | B | 27.7/9.6 |
| C2 | 4030006880 | S.CER C1608 JB 1H 472K-T | T | 23.1/2.5 |
| C3 | 4030006880 | S.CER C1608 JB 1H 472K-T | T | 23.1/13.9 |
| J1 | 6510023891 | CON S-G4617#01F | | |
| J2 | 6510019971 | S.CON 52808-1071 | B | 26.6/4.0 |
| EP1 | 6910014690 | S.BEA MPZ1608S221A-T | B | 29.2/8.1 |

M.=Mounted side (T: Mounted on the Top side, B: Mounted on the Bottom side)
S.=Surface mount

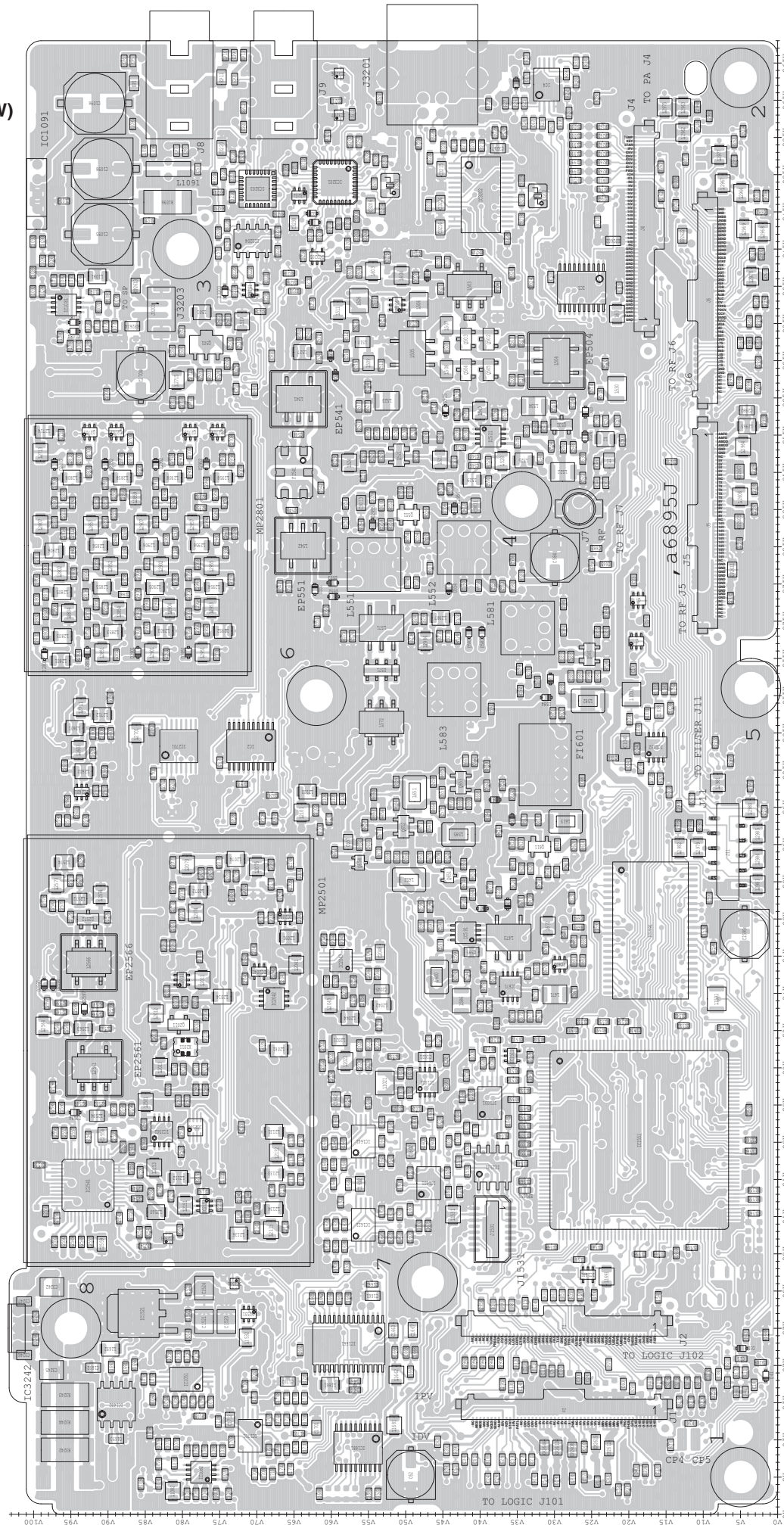
BOARD LAYOUTS



• MAIN UNIT (TOP VIEW)

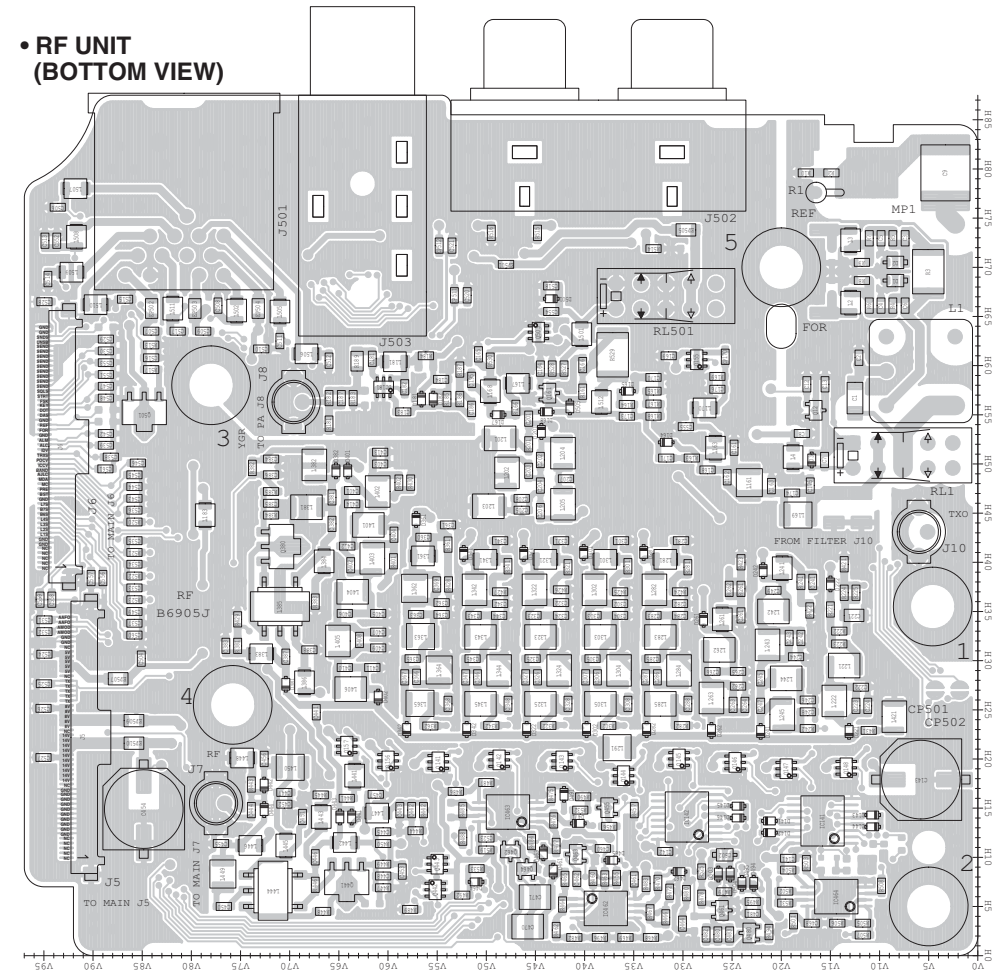


• MAIN UNIT
(BOTTOM VIEW)



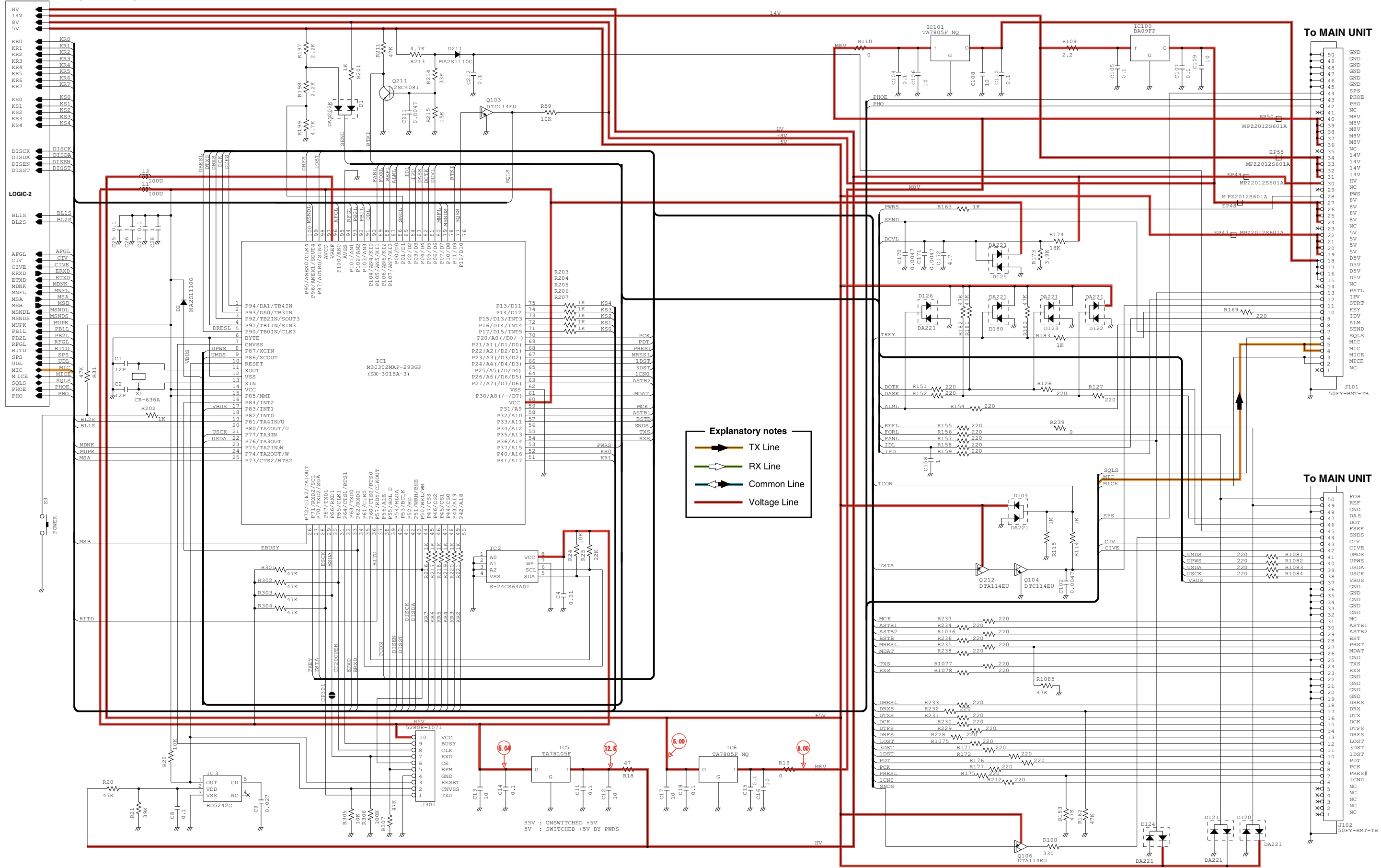
The combination of this side and the bottom side shows the board layout in the same configuration as the actual P.C.Board.

• RF UNIT
(BOTTOM VIEW)



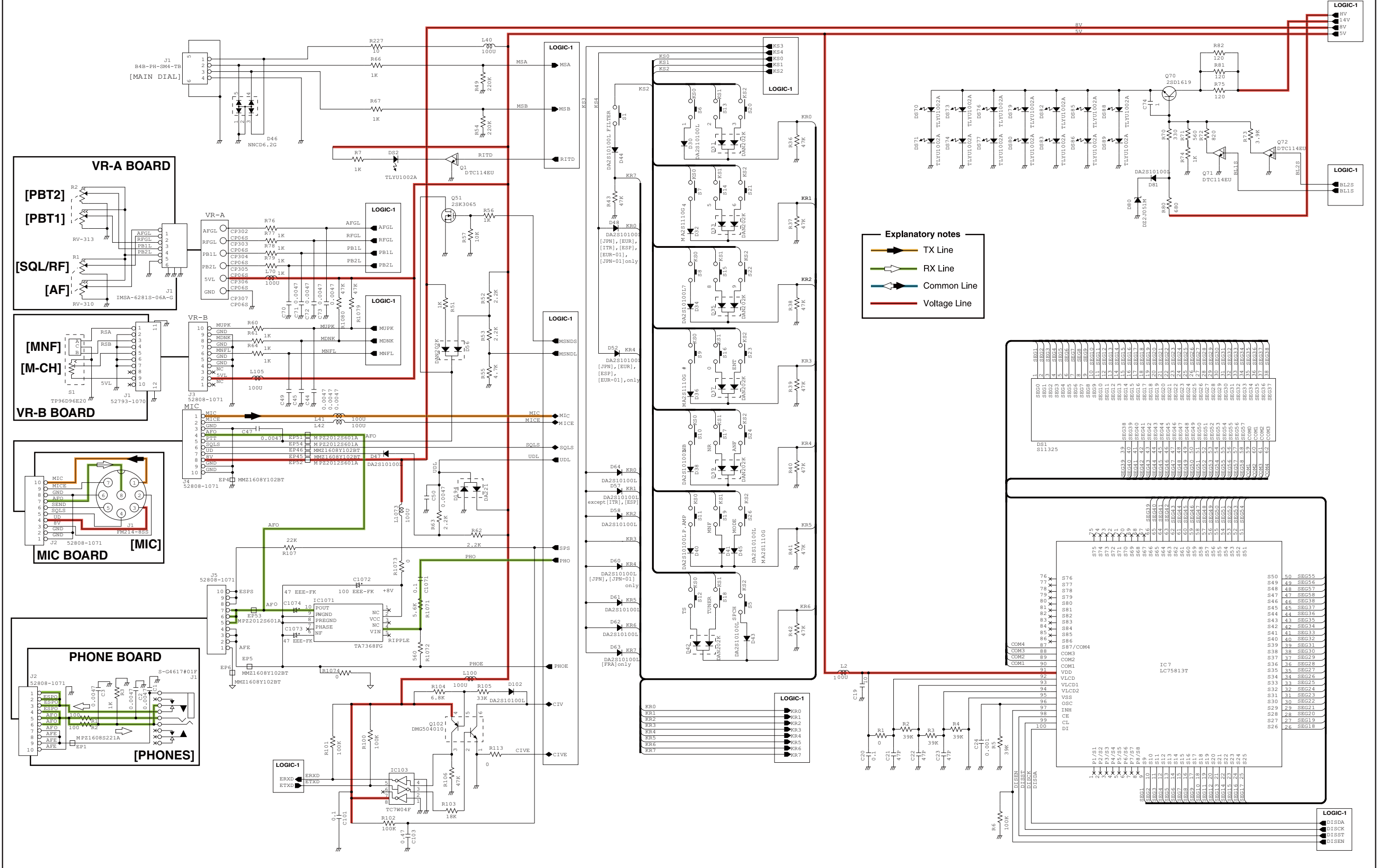
VOLTAGE DIAGRAM

• LOGIC UNIT (LOGIC-1)



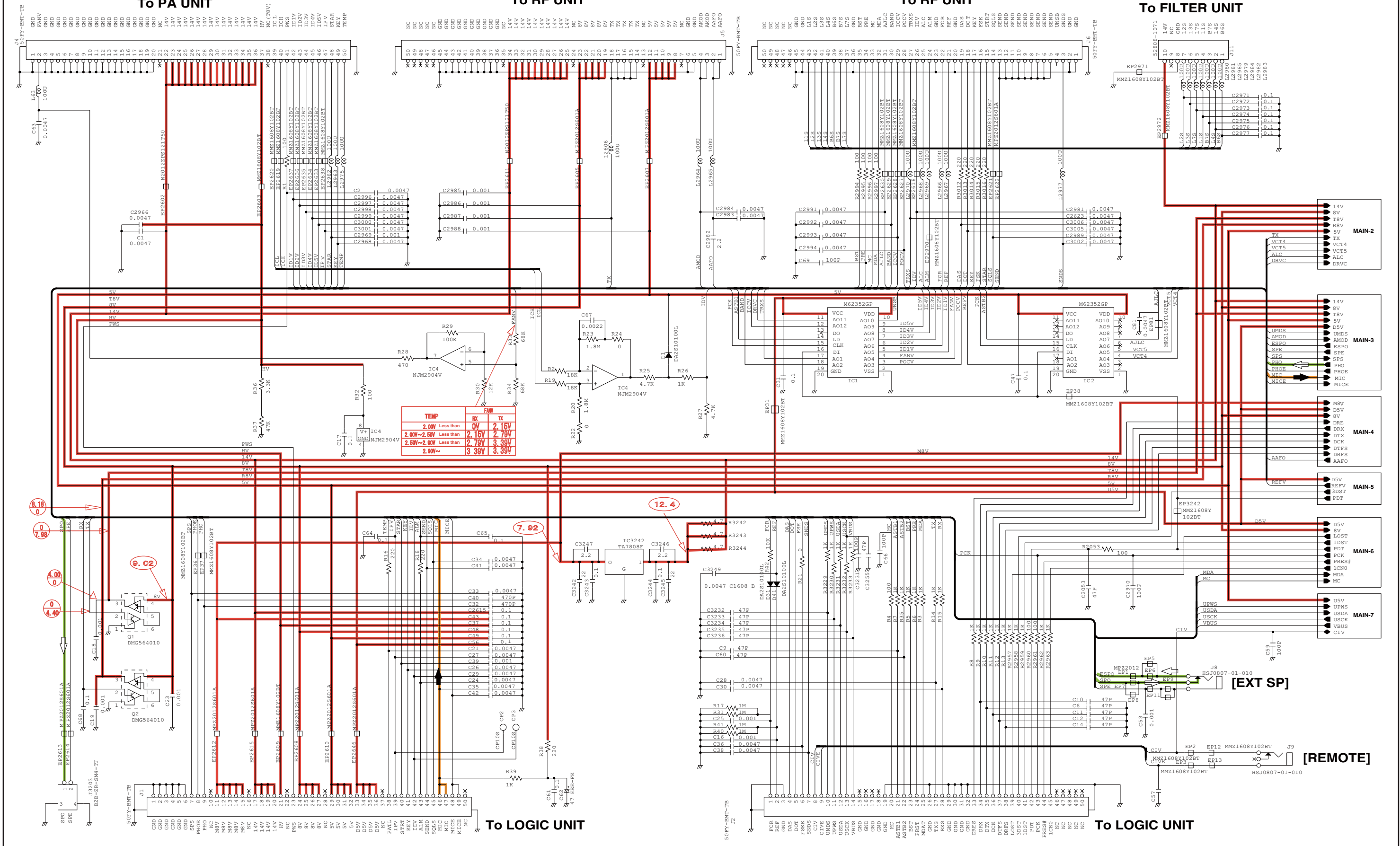
*; Refer to "PARTS LIST."

• LOGIC UNIT (LOGIC-2)



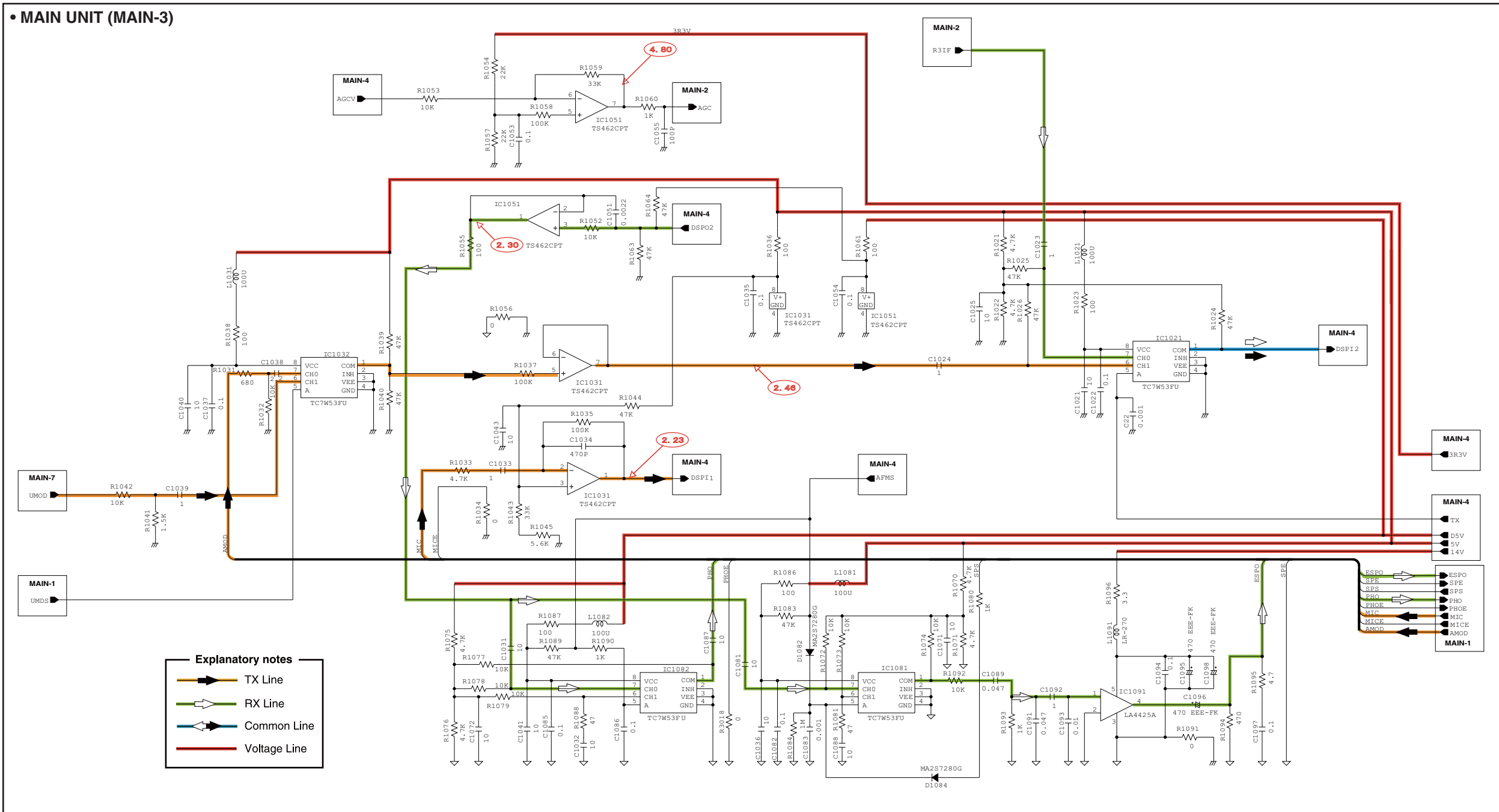
*; Refer to "PARTS LIST"

• MAIN UNIT (MAIN-1)



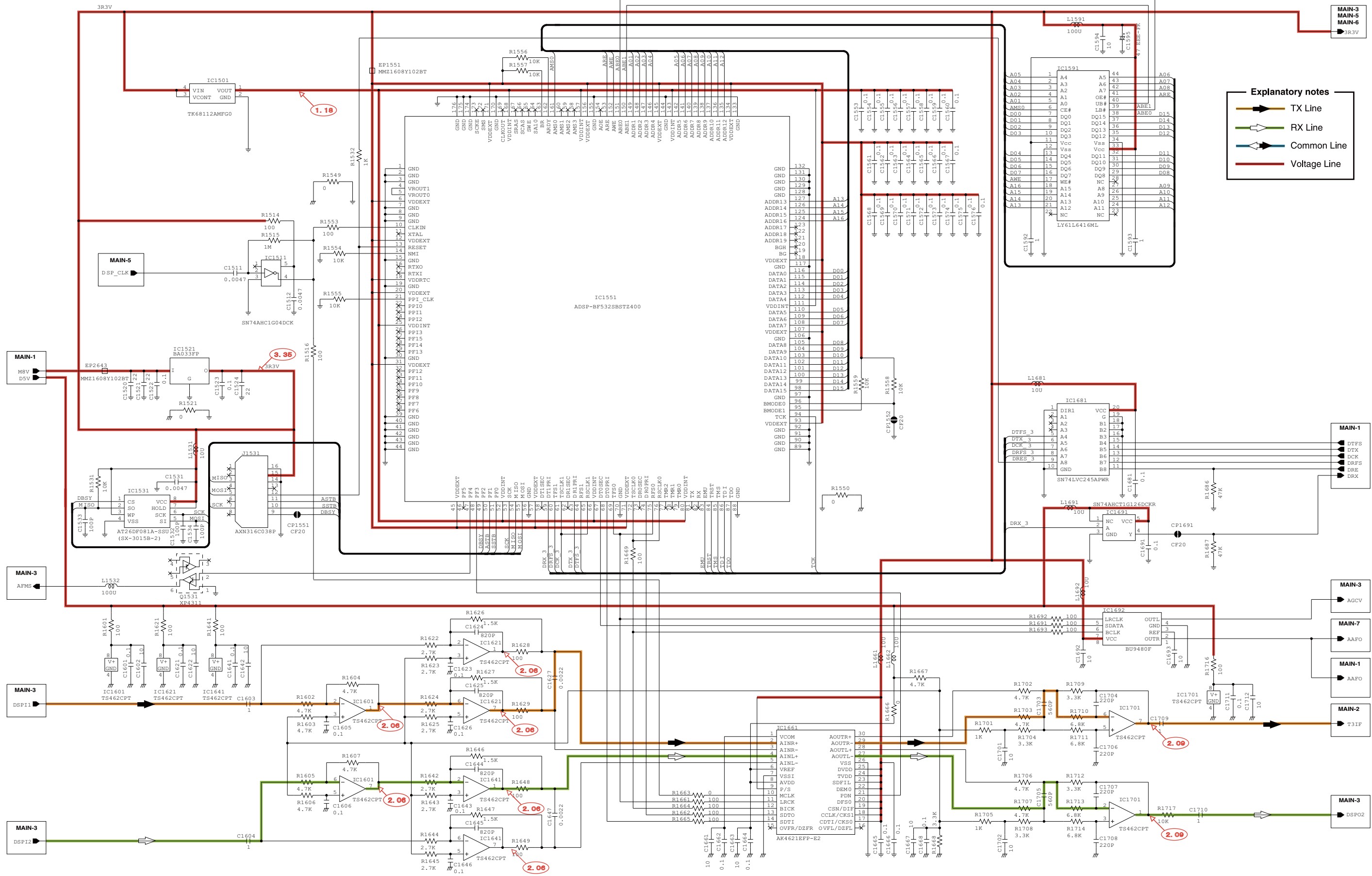
*; Refer to "PARTS LIST."

• MAIN UNIT (MAIN-3)



*; Refer to "PARTS LIST."

• MAIN UNIT (MAIN-4)

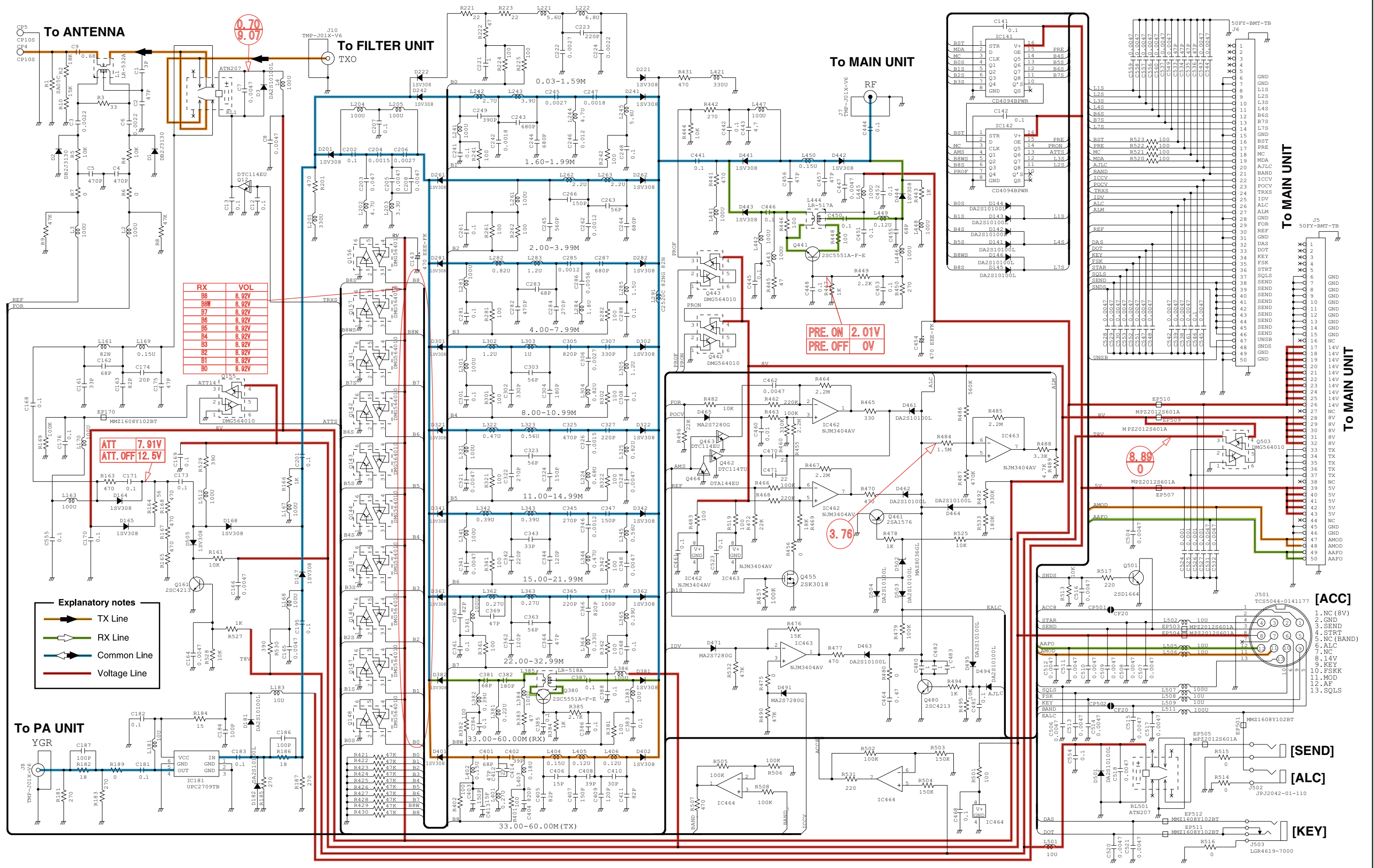


Explanatory notes

- TX Line
- RX Line
- Common Line
- Voltage Line

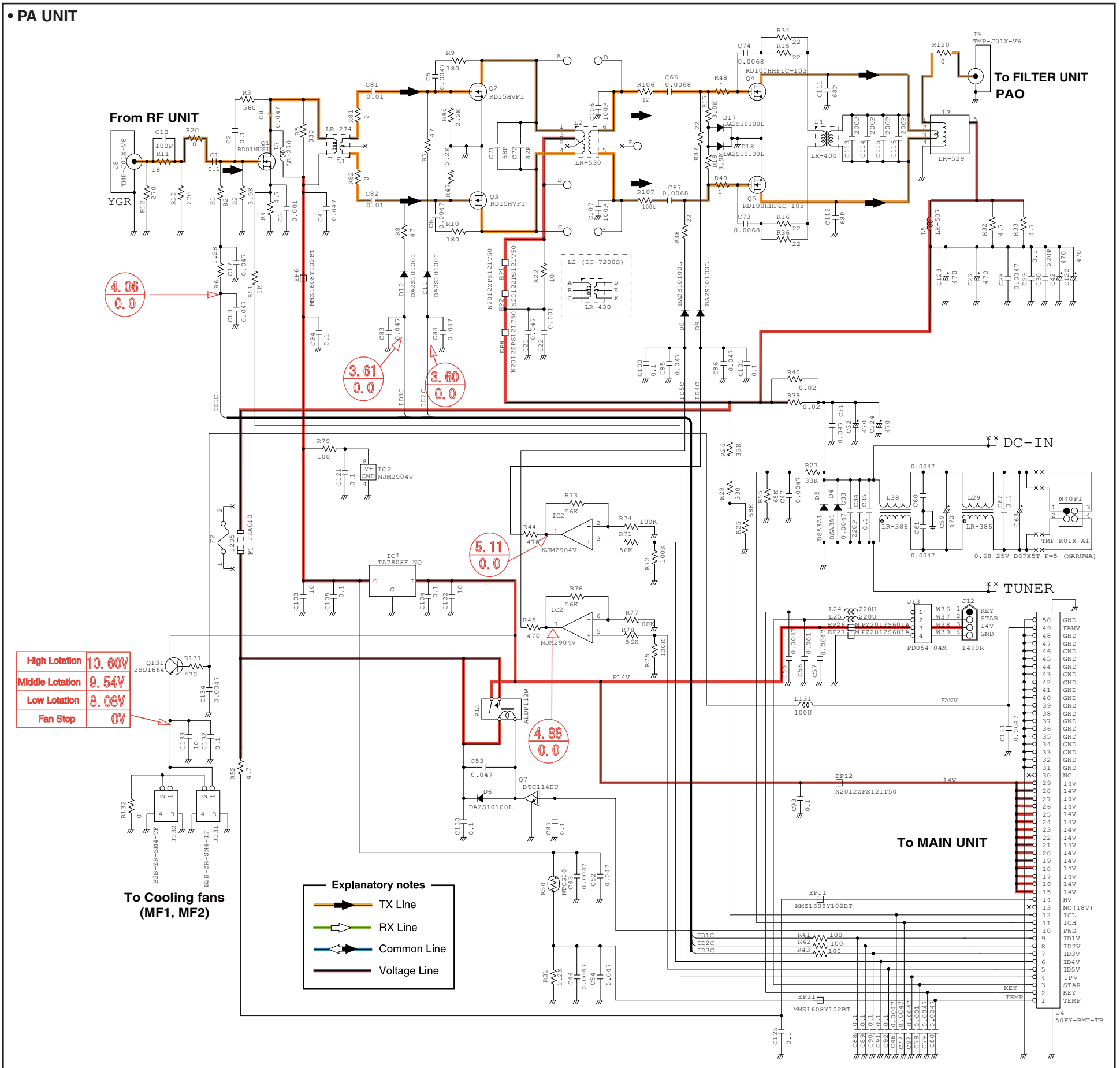
*; Refer to "PARTS LIST"

• RF UNIT

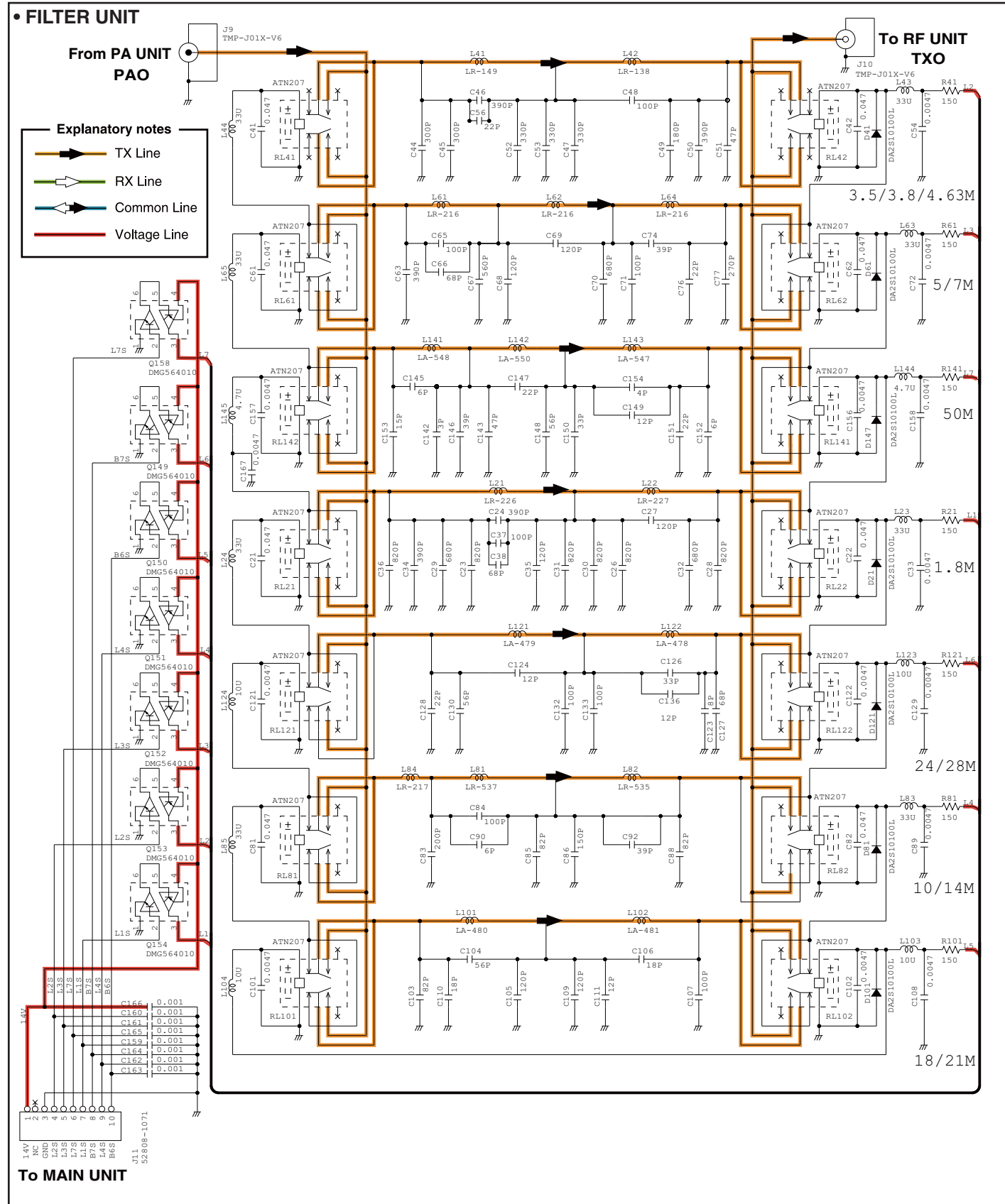


*; Refer to "PARTS LIST."

• PA UNIT



*; Refer to "PARTS LIST."



*; Refer to "PARTS LIST."

Jun. 2009



SERVICE MANUAL ADDENDUM

IC-7200

CONTENTS

| | |
|-----------------------|----|
| PARTS LIST | 1 |
| BOARD LAYOUTS | 19 |
| VOLTAGE DIAGRAM | 21 |

PARTS LIST

[MAIN UNIT]

| REF NO. | PARTS NO. | DESCRIPTION | M. | H/V LOCATION |
|---------|------------|----------------------------------|----|--------------|
| IC1 | 1110004310 | S.IC M62352GP 75EC | T | 164.8/26.3 |
| IC2 | 1110004310 | S.IC M62352GP 75EC | T | 103.2/70.8 |
| IC4 | 1110003800 | S.IC NJM2904V-TE1-#FMZB | T | 192.1/31 |
| IC521 | 1110005461 | S.IC TA4107F(TE12L,F) | T | 144.8/38.6 |
| IC591 | 1130008511 | S.IC TC7W53FU(TE12L,F) | T | 78.1/41.9 |
| IC671 | 1130014270 | S.IC TS5A2053DCTR | T | 70.9/35.9 |
| IC672 | 1130014260 | S.IC SN74LVC2GU04DCKR | T | 73.9/29.3 |
| IC1021 | 1130008511 | S.IC TC7W53FU(TE12L,F) | T | 58/47.1 |
| IC1031 | 1110006570 | S.IC TS462CPT | T | 55.2/38.7 |
| IC1032 | 1130008511 | S.IC TC7W53FU(TE12L,F) | T | 103/16.3 |
| IC1051 | 1110006570 | S.IC TS462CPT | T | 18.1/79.5 |
| IC1081 | 1130008511 | S.IC TC7W53FU(TE12L,F) | T | 162.5/95.6 |
| IC1082 | 1130008511 | S.IC TC7W53FU(TE12L,F) | T | 5.6/77.5 |
| IC1091 | 1110003091 | IC LA4425A-E | | |
| IC1501 | 1180003230 | S.REG TK68112AMFG0L | T | 31/73 |
| IC1511 | 1130012600 | S.IC SN74AHC1G04DCKR | T | 61.6/35.7 |
| IC1521 | 1180002020 | S.REG BA033FP-E2 | T | 27/84.6 |
| IC1531 | 1130014951 | S.IC AT26DF081A-SSU (SX-3015B-2) | T | 46.6/38.3 |
| IC1551 | 1140013590 | S.IC ADSP-BF532SBSTZ400 | T | 50.3/18.6 |
| IC1591 | 1130013560 | S.IC LY6L16416ML-15 | T | 78.4/17.1 |
| IC1601 | 1110006570 | S.IC TS462CPT | T | 44.5/46.9 |
| IC1621 | 1110006570 | S.IC TS462CPT | T | 38.9/55.7 |
| IC1641 | 1110006570 | S.IC TS462CPT | T | 50.1/55.7 |
| IC1661 | 1190002650 | S.IC AK4620BVPF-E2/P | T | 22.9/57.6 |
| IC1681 | 1130011820 | S.IC SN74LVC245APWR | T | 8.9/56.4 |
| IC1691 | 1130013590 | S.IC SN74AHC1G126DCKR | T | 32.2/25.5 |
| IC1692 | 1110004770 | S.IC BU9480F-E2 | T | 14.7/88.9 |
| IC1701 | 1110006570 | S.IC TS462CPT | T | 10.5/70.9 |
| IC2011 | 1110006870 | S.IC UPC2709TB-E3 | T | 71.8/80.1 |
| IC2041 | 1130012610 | S.IC SN74AHC1GU04DCKR | T | 72.9/69.7 |
| IC2042 | 1130013440 | S.IC SN74LVC2G74DCTR | T | 69.3/67.7 |
| IC2043 | 1190001811 | S.IC AD9833BRMZ | T | 74.4/58.7 |
| IC2091 | 1110006870 | S.IC UPC2709TB-E3 | T | 80.3/66.2 |
| IC2151 | 1110006870 | S.IC UPC2709TB-E3 | T | 41.4/77.7 |
| IC2501 | 1130012850 | S.IC SN74LVC3G34DCUR | T | 52/78.3 |
| IC2502 | 1130012781 | S.IC SN74AHC2G04HDCT3 | T | 51.4/82.8 |
| IC2503 | 1180003220 | S.REG TK68118AMFG0L | T | 37/81.9 |
| IC2541 | 1190002101 | S.IC AD9951YSVZ | T | 44.2/92.7 |
| IC2601 | 1110006870 | S.IC UPC2709TB-E3 | T | 97/93.5 |
| IC2701 | 1130011760 | S.IC CD4094BPWR | T | 103.2/80.5 |
| IC3201 | 1190002261 | S.IC USB2501-AEZG | T | 179/59.5 |
| IC3202 | 1190002240 | S.IC PCM2901E/2K | T | 177.3/39.9 |
| IC3203 | 1190002730 | S.IC CP2102GMR | T | 178.1/69.9 |
| IC3204 | 1130005721 | S.IC TC7W04F(TE12L,F) | T | 171.1/70.6 |
| IC3205 | 1130010461 | S.IC TC7SH08FU(TE85L,JF) | T | 169/61.9 |
| IC3206 | 1180003240 | S.REG TK68133AMFG0L | T | 193.6/59 |
| IC3207 | 1180003240 | S.REG TK68133AMFG0L | T | 188/59 |
| IC3242 | 1180003330 | REG TA7808F(Q) | | |
| Q1 | 1590001960 | S.TRA XP4311(TX) | T | 122.8/18.7 |
| Q2 | 1590001960 | S.TRA XP4311(TX) | T | 117.3/19 |
| Q501 | 1530002680 | S.TRA 2SC3357-T1 | T | 157.1/76.8 |
| Q502 | 1560000641 | S.FET 2SK1740-4/5-TB-E | T | 157.9/38.8 |
| Q503 | 1560000641 | S.FET 2SK1740-4/5-TB-E | T | 157.9/41.9 |
| Q504 | 1560000641 | S.FET 2SK1740-4/5-TB-E | T | 153.8/41.9 |
| Q505 | 1560000641 | S.FET 2SK1740-4/5-TB-E | T | 153.8/38.8 |
| Q506 | 1590001960 | S.TRA XP4311(TX) | T | 162.5/51.1 |
| Q521 | 1580000820 | S.FET 3SK264-5-TG-E | T | 142.3/50.9 |
| Q531 | 1530002371 | S.TRA 2SC2714-O(TE85R,F) | T | 146.4/29 |
| Q551 | 1580000820 | S.FET 3SK264-5-TG-E | T | 134.3/49.6 |
| Q581 | 1580000820 | S.FET 3SK264-5-TG-E | T | 115.5/25.3 |
| Q611 | 1580000820 | S.FET 3SK264-5-TG-E | T | 89.7/32 |
| Q651 | 1530002060 | S.TRA 2SC4081 T106 R | T | 85.8/44.2 |
| Q652 | 1580000820 | S.FET 3SK264-5-TG-E | T | 92.4/50.3 |
| Q653 | 1580000820 | S.FET 3SK264-5-TG-E | T | 98.3/42.6 |
| Q654 | 1530002060 | S.TRA 2SC4081 T106 R | T | 87.5/56.2 |
| Q1531 | 1590001960 | S.TRA XP4311(TX) | T | 26.9/71.1 |
| Q2011 | 1530002371 | S.TRA 2SC2714-O(TE85R,F) | T | 65.8/80.5 |
| Q2701 | 1590001960 | S.TRA XP4311(TX) | T | 145.4/92.5 |
| Q2702 | 1590001960 | S.TRA XP4311(TX) | T | 145.4/88.9 |
| Q2703 | 1590001960 | S.TRA XP4311(TX) | T | 145.4/78.9 |
| Q2704 | 1590001960 | S.TRA XP4311(TX) | T | 145.4/75.3 |
| Q3201 | 1590001650 | S.TRA XP4601(TX) | T | 164.5/70.9 |
| Q3202 | 1590001960 | S.TRA XP4311(TX) | T | 177.2/64.3 |
| D1 | 1790001250 | S.DIO MA2S111-(TX) | T | 192.3/35.1 |
| D31 | 1790001250 | S.DIO MA2S111-(TX) | T | 22.3/4.8 |
| D41 | 1790001250 | S.DIO MA2S111-(TX) | T | 18.6/1.6 |
| D501 | 1790001260 | S.DIO MA2S077-(TX) | T | 166.4/47.1 |
| D521 | 1790001260 | S.DIO MA2S077-(TX) | T | 155.7/60.1 |
| D522 | 1790001260 | S.DIO MA2S077-(TX) | T | 153/59.4 |
| D523 | 1790001260 | S.DIO MA2S077-(TX) | T | 148.1/25.8 |
| D524 | 1790001260 | S.DIO MA2S077-(TX) | T | 144.8/25.9 |
| D525 | 1790001260 | S.DIO MA2S077-(TX) | T | 148.3/44.6 |
| D551 | 1790001260 | S.DIO MA2S077-(TX) | T | 124.3/62.2 |
| D552 | 1790001260 | S.DIO MA2S077-(TX) | T | 123.3/59.7 |
| D553 | 1790001260 | S.DIO MA2S077-(TX) | T | 125.1/59.8 |
| D554 | 1790001260 | S.DIO MA2S077-(TX) | T | 124.4/44.2 |
| D571 | 1750000431 | S.DIO HSB88WSTR-E | T | 113.4/53.2 |

[MAIN UNIT]

| REF NO. | PARTS NO. | DESCRIPTION | M. | H/V LOCATION |
|---------|------------|-------------------------------------|----|--------------|
| D581 | 1790001260 | S.DIO MA2S077-(TX) | T | 118.5/39.7 |
| D582 | 1790001260 | S.DIO MA2S077-(TX) | T | 118.5/41.5 |
| D583 | 1790001260 | S.DIO MA2S077-(TX) | T | 112.2/30.5 |
| D584 | 1790001260 | S.DIO MA2S077-(TX) | T | 109.7/31.1 |
| D611 | 1790001260 | S.DIO MA2S077-(TX) | T | 93.3/35.7 |
| D621 | 1790001260 | S.DIO MA2S077-(TX) | T | 82/36.3 |
| D641 | 1790001260 | S.DIO MA2S077-(TX) | T | 96/38 |
| D671 | 1790001260 | S.DIO MA2S077-(TX) | T | 81.4/39.7 |
| D1082 | 1790001240 | S.DIO MA2S728-(TX) | T | 160.1/94.5 |
| D1084 | 1790001240 | S.DIO MA2S728-(TX) | T | 158.9/94.5 |
| D2572 | 1750000620 | S.DIO MA717WK(TX) | T | 79.9/92.7 |
| D2594 | 1790001621 | S.DIO 1SV308(TPL3,F) | T | 54/94.4 |
| D2595 | 1790001621 | S.DIO 1SV308(TPL3,F) | T | 71.2/98.6 |
| D2596 | 1790001621 | S.DIO 1SV308(TPL3,F) | T | 71.2/97.4 |
| D2597 | 1790001621 | S.DIO 1SV308(TPL3,F) | T | 67.9/93.2 |
| D2801 | 1790001621 | S.DIO 1SV308(TPL3,F) | T | 115.5/98.5 |
| D2802 | 1790001621 | S.DIO 1SV308(TPL3,F) | T | 141.1/97.2 |
| D2851 | 1790001621 | S.DIO 1SV308(TPL3,F) | T | 115.8/92.8 |
| D2852 | 1790001621 | S.DIO 1SV308(TPL3,F) | T | 141.1/90.4 |
| D2901 | 1790001621 | S.DIO 1SV308(TPL3,F) | T | 115.8/86 |
| D2902 | 1790001621 | S.DIO 1SV308(TPL3,F) | T | 141.1/83.6 |
| D2951 | 1790001621 | S.DIO 1SV308(TPL3,F) | T | 115.8/79.2 |
| D2952 | 1790001621 | S.DIO 1SV308(TPL3,F) | T | 141.1/76.8 |
| D2955 | 1720000811 | S.VAR HVC358BTRF-E | T | 133/54.4 |
| D2956 | 1720000811 | S.VAR HVC358BTRF-E | T | 135.1/43.4 |
| D3201 | 1790001240 | S.DIO MA2S728-(TX) | T | 174.8/62.6 |
| D3202 | 1790001240 | S.DIO MA2S728-(TX) | T | 173.6/62.3 |
| D3203 | 1790001250 | S.DIO MA2S111-(TX) | T | 164.3/74.3 |
| FI541 | 2010002210 | S.XTA DSF753SBF 64.455 MHz (FL-421) | T | 140/65 |
| FI601 | 2020001330 | CER CFWLA4455KHFA-B0 (CFWS4455HT) | | |
| X2011 | 6050012560 | S.XTA CR-770B DSA321SD 32 MHz | T | 62.8/79.6 |
| X3201 | 6050012780 | S.XTA CR-871 DSX321G 24 MHz | T | 178.5/52.1 |
| X3202 | 6050012770 | S.XTA CR-870 DSX321G 12 MHz | T | 177.1/32.2 |
| L1 | 6200007790 | S.COI LQW2BHN15J03L | T | 141.6/22.6 |
| L2 | 6200002431 | S.COI NLV25T-082J | T | 144.4/23.1 |
| L63 | 6200002041 | S.COI NLV25T-101J | T | 161.3/21.6 |
| L501 | 6200003281 | S.COI NLV25T-2R2J | T | 161.5/77.4 |
| L503 | 6140002210 | S.COI LR-317 | T | 165.1/41.4 |
| L504 | 6140004680 | S.COI LR-528 4KBL | T | 155/29.7 |
| L505 | 6140004680 | S.COI LR-528 4KBL | T | 156/49.1 |
| L506 | 6200003261 | S.COI NLV32T-101J | T | 162.5/48.2 |
| L507 | 6200013240 | S.COI C2012C-R68J-A | T | 159.7/44.5 |
| L508 | 6200013240 | S.COI C2012C-R68J-A | T | 153.8/44.5 |
| L509 | 6200007760 | S.COI LQW2BHN82NJ03L | T | 154.7/55 |
| L510 | 6200007800 | S.COI LQW2BHN18J03L | T | 157.5/55.8 |
| L511 | 6200002041 | S.COI NLV25T-101J | T | 161.7/59.1 |
| L517 | 6200002631 | S.COI NLV25T-R10J | T | 160.3/72 |
| L521 | 6200009861 | S.COI NLV25T-1R5J | T | 141.7/45.4 |
| L522 | 6200003261 | S.COI NLV32T-101J | T | 140/28.9 |
| L523 | 6200003261 | S.COI NLV32T-101J | T | 149.6/52.5 |
| L524 | 6200005011 | S.COI NLV25T-100J | T | 141.3/57.6 |
| L525 | 6200002041 | S.COI NLV25T-101J | T | 141.6/34.1 |
| L526 | 6200003261 | S.COI NLV32T-101J | T | 163/56.3 |
| L527 | 6200002181 | S.COI NLV25T-R12J | T | 156.1/63.9 |
| L528 | 6200002041 | S.COI NLV25T-101J | T | 141.5/37 |
| L529 | 6200002041 | S.COI NLV25T-101J | T | 139/41.1 |
| L530 | 6200003261 | S.COI NLV32T-101J | T | 151.2/21.6 |
| L534 | 6200003261 | S.COI NLV32T-101J | T | 148.9/32.8 |
| L541 | 6140004710 | S.COI LR-531 4KBL-S070834 | T | 149.8/64.4 |
| L542 | 6140004710 | S.COI LR-531 4KBL-S070834 | T | 130.1/63.8 |
| L549 | 6200002631 | S.COI NLV25T-R10J | T | 148.3/40 |
| L551 | 6150005440 | COI LS-555 7K7-S080614B | | |
| L552 | 6150005440 | COI LS-555 7K7-S080614B | | |
| L571 | 6140004680 | S.COI LR-528 4KBL | T | 119.1/53.2 |
| L572 | 6140002810 | S.COI LR-317 | T | 106.4/53.2 |
| L581 | 6150005420 | COI LS-554 7QM | | |
| L582 | 6200003520 | S.COI ELJFB 102K-F | T | 109.3/25.5 |
| L583 | 6150005410 | COI LS-553 7QM | | |
| L585 | 6200003520 | S.COI ELJFB 102K-F | T | 91.3/42.9 |
| L586 | 6200003261 | S.COI NLV32T-101J | T | 69/42.5 |
| L600 | 6200003520 | S.COI ELJFB 102K-F | T | 72.2/45.8 |
| L603 | 6200002601 | S.COI NLV25T-047J | T | 167/54.4 |
| L604 | 6200002421 | S.COI NLV25T-068J | T | 166.4/50.5 |
| L615 | 6200003520 | S.COI ELJFB 102K-F | T | 93.1/28.5 |
| L651 | 6200003520 | S.COI ELJFB 102K-F | T | 97/48.8 |
| L652 | 6200003520 | S.COI ELJFB 102K-F | T | 85.2/49.5 |
| L671 | 6200003261 | S.COI NLV32T-101J | T | 69.8/29.9 |
| L672 | 6200005521 | S.COI NLV25T-470J | T | 79.1/30.9 |
| L673 | 6140004680 | S.COI LR-528 4KBL | T | 77.5/36.1 |
| L1021 | 6200003261 | S.COI NLV32T-101J | T | 57.9/52.8 |
| L1031 | 6200003261 | S.COI NLV32T-101J | T | 110.2/19.6 |
| L1081 | 6200002041 | S.COI NLV25T-101J | T | 166.3/91.4 |
| L1082 | 6200002041 | S.COI NLV25T-101J | T | 3.1/81.3 |
| L1091 | 6140002220 | COI LR-270 (TR6X3X2 3A9) | | |

M.=Mounted side (T: Mounted on the Top side, B: Mounted on the Bottom side)
S.=Surface mount

[MAIN UNIT]

| REF NO. | PARTS NO. | DESCRIPTION | M. | H/V LOCATION |
|---------|------------|-----------------------|----|--------------|
| L1531 | 6200005011 | S.COI NLV25T-100J | T | 40.3/43.6 |
| L1532 | 6200002041 | S.COI NLV25T-101J | T | 23.7/71.3 |
| L1591 | 6200003261 | S.COI NLV32T-101J | T | 69.2/8.2 |
| L1661 | 6200005011 | S.COI NLV25T-100J | T | 17.4/60.1 |
| L1662 | 6200005011 | S.COI NLV25T-100J | T | 18.7/51.2 |
| L1681 | 6200005011 | S.COI NLV25T-100J | T | 11.9/51.5 |
| L1691 | 6200005011 | S.COI NLV25T-100J | T | 31.9/23 |
| L1692 | 6200005011 | S.COI NLV25T-100J | T | 22.2/89.7 |
| L2011 | 6200005011 | S.COI NLV25T-100J | T | 71.8/77.3 |
| L2012 | 6200005011 | S.COI NLV25T-100J | T | 67.3/83.6 |
| L2013 | 6200005011 | S.COI NLV25T-100J | T | 60.1/83 |
| L2014 | 6200005011 | S.COI NLV25T-100J | T | 69.5/74.6 |
| L2021 | 6200007800 | S.COI LQW2BHNRF18J03L | T | 63.7/58.9 |
| L2022 | 6200002841 | S.COI NLV25T-R22J | T | 60.9/58.1 |
| L2041 | 6200005011 | S.COI NLV25T-100J | T | 73.8/64.7 |
| L2042 | 6200005011 | S.COI NLV25T-100J | T | 68.4/53.2 |
| L2043 | 6200005031 | S.COI NLV25T-180J | T | 68.6/60.2 |
| L2044 | 6200005521 | S.COI NLV25T-470J | T | 66.7/57.5 |
| L2061 | 6200002581 | S.COI NLV25T-033J | T | 62.4/67 |
| L2071 | 6200002631 | S.COI NLV25T-R10J | T | 80.8/78.2 |
| L2072 | 6200002431 | S.COI NLV25T-082J | T | 83.8/77.8 |
| L2073 | 6200002431 | S.COI NLV25T-082J | T | 87.3/79.4 |
| L2074 | 6200002631 | S.COI NLV25T-R10J | T | 88/72.8 |
| L2075 | 6200002631 | S.COI NLV25T-R10J | T | 87/70 |
| L2091 | 6200009861 | S.COI NLV25T-1R5J | T | 77.5/65.7 |
| L2101 | 6200002181 | S.COI NLV25T-R12J | T | 94.3/61.4 |
| L2102 | 6200002631 | S.COI NLV25T-R10J | T | 97.1/63.2 |
| L2131 | 6200002581 | S.COI NLV25T 039J 39N | T | 51.4/67.7 |
| L2132 | 6200003891 | S.COI NLV25T-027J | T | 48.6/67.3 |
| L2133 | 6200003891 | S.COI NLV25T-027J | T | 45.8/67.7 |
| L2134 | 6200003891 | S.COI NLV25T-027J | T | 41/67.7 |
| L2135 | 6200003891 | S.COI NLV25T-027J | T | 38.2/68.1 |
| L2136 | 6200002581 | S.COI NLV25T-033J | T | 37.6/72.4 |
| L2151 | 6200002611 | S.COI NLV25T-R47J | T | 41.5/79.6 |
| L2152 | 6200002581 | S.COI NLV25T-033J | T | 45.2/80.5 |
| L2153 | 6200002581 | S.COI NLV25T-033J | T | 46.6/83.8 |
| L2501 | 6200005011 | S.COI NLV25T-100J | T | 55.4/84.9 |
| L2560 | 6200002431 | S.COI NLV25T-082J | T | 40.6/83.5 |
| L2561 | 6140002810 | S.COI LR-317 | T | 59.9/91.8 |
| L2563 | 6200002181 | S.COI NLV25T-R12J | T | 65.3/93.3 |
| L2564 | 6200002181 | S.COI NLV25T-R12J | T | 65.6/98.7 |
| L2566 | 6140002810 | S.COI LR-317 | T | 74.1/92.6 |
| L2571 | 6200002601 | S.COI NLV25T-047J | T | 83.2/91 |
| L2572 | 6200007790 | S.COI LQW2BHNRF15J03L | T | 82.7/93.8 |
| L2573 | 6200002431 | S.COI NLV25T-082J | T | 84.7/98.2 |
| L2574 | 6200002431 | S.COI NLV25T-082J | T | 87.6/95.9 |
| L2594 | 6200007790 | S.COI LQW2BHNRF15J03L | T | 53.5/91.5 |
| L2601 | 6200002411 | S.COI NLV25T-056J | T | 105.6/94.5 |
| L2602 | 6200009861 | S.COI NLV25T-1R5J | T | 99.8/93.3 |
| L2603 | 6200002421 | S.COI NLV25T-068J | T | 102.7/93.9 |
| L2606 | 6200002041 | S.COI NLV25T-101J | T | 136.7/5 |
| L2701 | 6200002041 | S.COI NLV25T-101J | T | 104.9/86.2 |
| L2711 | 6200002181 | S.COI NLV25T-R12J | T | 108.4/93.6 |
| L2712 | 6200002611 | S.COI NLV25T-R47J | T | 107.4/90.8 |
| L2713 | 6200002181 | S.COI NLV25T-R12J | T | 142.7/99.1 |
| L2714 | 6200002611 | S.COI NLV25T-R47J | T | 145.6/98.6 |
| L2715 | 6200002411 | S.COI NLV25T-056J | T | 152.4/80.8 |
| L2801 | 6200002611 | S.COI NLV25T-R47J | T | 114.7/96.3 |
| L2802 | 6200002431 | S.COI NLV25T-082J | T | 126.7/96.5 |
| L2803 | 6200002631 | S.COI NLV25T-R10J | T | 118/96.1 |
| L2804 | 6200002431 | S.COI NLV25T-082J | T | 121.1/95.2 |
| L2805 | 6200002181 | S.COI NLV25T-R12J | T | 123.9/96.1 |
| L2806 | 6200002631 | S.COI NLV25T-R10J | T | 129.5/97.3 |
| L2807 | 6200002631 | S.COI NLV25T-R10J | T | 133/99.1 |
| L2808 | 6200002611 | S.COI NLV25T-R47J | T | 139.3/94.9 |
| L2851 | 6200002611 | S.COI NLV25T-R47J | T | 115.8/90.8 |
| L2852 | 6200002421 | S.COI NLV25T-068J | T | 127.4/89.7 |
| L2853 | 6200002421 | S.COI NLV25T-068J | T | 118.5/89.3 |
| L2854 | 6200002421 | S.COI NLV25T-068J | T | 121.3/88.5 |
| L2855 | 6200002631 | S.COI NLV25T-R10J | T | 124.6/90.8 |
| L2856 | 6200002431 | S.COI NLV25T-082J | T | 130.1/91.3 |
| L2857 | 6200002431 | S.COI NLV25T-082J | T | 132.9/92.3 |
| L2858 | 6200002611 | S.COI NLV25T-R47J | T | 139.3/88.1 |
| L2859 | 6200007790 | S.COI LQW2BHNRF15J03L | T | 136.6/86.3 |
| L2901 | 6200002611 | S.COI NLV25T-R47J | T | 115.8/84.1 |
| L2902 | 6200002411 | S.COI NLV25T-056J | T | 127.4/82.9 |
| L2903 | 6200002421 | S.COI NLV25T-068J | T | 118.7/82.5 |
| L2904 | 6200002411 | S.COI NLV25T-056J | T | 121.7/81.7 |
| L2905 | 6200002431 | S.COI NLV25T-082J | T | 124.6/83.7 |
| L2906 | 6200002421 | S.COI NLV25T-068J | T | 130.2/84.5 |
| L2907 | 6200002421 | S.COI NLV25T-068J | T | 133/85.5 |
| L2908 | 6200002611 | S.COI NLV25T-R47J | T | 139.3/81.3 |
| L2951 | 6200002611 | S.COI NLV25T-R47J | T | 115.8/77.3 |
| L2952 | 6200002411 | S.COI NLV25T-056J | T | 118.7/74.5 |
| L2953 | 6200002601 | S.COI NLV25T-047J | T | 121.8/76.1 |
| L2954 | 6200002421 | S.COI NLV25T-068J | T | 124.6/75.7 |
| L2955 | 6200002411 | S.COI NLV25T-056J | T | 127.4/76.1 |
| L2956 | 6200002421 | S.COI NLV25T-068J | T | 130.2/77.7 |
| L2957 | 6200002411 | S.COI NLV25T-056J | T | 133/78.7 |
| L2958 | 6200002611 | S.COI NLV25T-R47J | T | 139.3/74.5 |
| L2962 | 6200002041 | S.COI NLV25T-101J | T | 185.6/12.7 |
| L2963 | 6200002041 | S.COI NLV25T-101J | T | 189/12.7 |
| L2964 | 6200002041 | S.COI NLV25T-101J | T | 143.4/4.6 |
| L2965 | 6200002041 | S.COI NLV25T-101J | T | 146.2/4.1 |
| L2966 | 6200002041 | S.COI NLV25T-101J | T | 177.5/4.9 |
| L2967 | 6200002041 | S.COI NLV25T-101J | T | 178.8/7.4 |
| L2968 | 6200002041 | S.COI NLV25T-101J | T | 172.3/2 |
| L2969 | 6200002041 | S.COI NLV25T-101J | T | 172.7/4.5 |

[MAIN UNIT]

| REF NO. | PARTS NO. | DESCRIPTION | M. | H/V LOCATION |
|---------|------------|-----------------------------|----|--------------|
| L2970 | 6200002041 | S.COI NLV25T-101J | T | 166.3/3.5 |
| L2975 | 6200002041 | S.COI NLV25T-101J | T | 189/15.2 |
| L2977 | 6200002041 | S.COI NLV25T-101J | T | 182.6/7.8 |
| L2979 | 6200002041 | S.COI NLV25T-101J | T | 89.5/10.7 |
| L2980 | 6200002041 | S.COI NLV25T-101J | T | 94.8/3.7 |
| L2981 | 6200002041 | S.COI NLV25T-101J | T | 98.3/8 |
| L2982 | 6200002041 | S.COI NLV25T-101J | T | 89.5/13.2 |
| L2983 | 6200002041 | S.COI NLV25T-101J | T | 84.6/2.7 |
| L2984 | 6200002041 | S.COI NLV25T-101J | T | 88/2.7 |
| L2985 | 6200002041 | S.COI NLV25T-101J | T | 91.4/2.7 |
| L2986 | 6200009861 | S.COI NLV25T-1R5J | T | 117.3/47.3 |
| L2987 | 6200009861 | S.COI NLV25T-1R5J | T | 120.4/45.3 |
| R1 | 7030003320 | S.RES ERJ3GEYJ 101 V (100) | T | 179.2/23.5 |
| R2 | 7030003590 | S.RES ERJ3GEYJ 183 V (18K) | T | 186.4/30.4 |
| R3 | 7030003440 | S.RES ERJ3GEYJ 102 V (1K) | T | 29.4/31.3 |
| R4 | 7030003320 | S.RES ERJ3GEYJ 101 V (100) | T | 17.6/17.1 |
| R5 | 7030003440 | S.RES ERJ3GEYJ 102 V (1K) | T | 29.4/28.9 |
| R6 | 7030003440 | S.RES ERJ3GEYJ 102 V (1K) | T | 29.3/40.1 |
| R7 | 7030003440 | S.RES ERJ3GEYJ 102 V (1K) | T | 20.1/22.7 |
| R8 | 7030003440 | S.RES ERJ3GEYJ 102 V (1K) | T | 28.1/35.7 |
| R9 | 7030003440 | S.RES ERJ3GEYJ 102 V (1K) | T | 28.1/37 |
| R10 | 7030003440 | S.RES ERJ3GEYJ 102 V (1K) | T | 28.1/38.2 |
| R11 | 7030003440 | S.RES ERJ3GEYJ 102 V (1K) | T | 19.8/32.7 |
| R12 | 7030003440 | S.RES ERJ3GEYJ 102 V (1K) | T | 20.3/35.1 |
| R13 | 7030003440 | S.RES ERJ3GEYJ 102 V (1K) | T | 17.1/35.8 |
| R14 | 7030003440 | S.RES ERJ3GEYJ 102 V (1K) | T | 28.1/32.5 |
| R15 | 7030003440 | S.RES ERJ3GEYJ 102 V (1K) | T | 28.3/33.9 |
| R16 | 7030003360 | S.RES ERJ3GEYJ 221 V (220) | T | 4.7/32.6 |
| R17 | 7030003800 | S.RES ERJ3GEYJ 105 V (1M) | T | 19/5.5 |
| R18 | 7030003360 | S.RES ERJ3GEYJ 221 V (220) | T | 7.3/38.9 |
| R19 | 7030003590 | S.RES ERJ3GEYJ 183 V (18K) | T | 186.9/29.2 |
| R20 | 7030003830 | S.RES ERJ3GEYJ 185 V (1.8M) | T | 188.3/28 |
| R21 | 7030003860 | S.RES ERJ3GE JPW V | T | 20.3/6.7 |
| R22 | 7030003860 | S.RES ERJ3GE JPW V | T | 190.9/28.3 |
| R23 | 7030003830 | S.RES ERJ3GEYJ 185 V (1.8M) | T | 186.9/31.6 |
| R24 | 7030003860 | S.RES ERJ3GE JPW V | T | 186.9/34 |
| R25 | 7030009591 | S.RES ERA3YED 472V (4.7K) | T | 189.6/34 |
| R26 | 7030007230 | S.RES ERA3YED 102V (1K) | T | 189.6/35.2 |
| R27 | 7030009591 | S.RES ERA3YED 472V (4.7K) | T | 189.6/36.6 |
| R28 | 7030003400 | S.RES ERJ3GEYJ 471 V (470) | T | 190.2/24.3 |
| R29 | 7030003680 | S.RES ERJ3GEYJ 104 V (100K) | T | 193.5/28.4 |
| R30 | 7030005691 | S.RES ERA3YED 123V (12K) | T | 192.4/27.1 |
| R31 | 7030003800 | S.RES ERJ3GEYJ 105 V (1M) | T | 19/4.3 |
| R32 | 7030003320 | S.RES ERJ3GEYJ 101 V (100) | T | 195.6/33.7 |
| R33 | 7030003660 | S.RES ERJ3GEYJ 683 V (68K) | T | 195/27.1 |
| R34 | 7030003660 | S.RES ERJ3GEYJ 683 V (68K) | T | 195/25.8 |
| R35 | 7030003440 | S.RES ERJ3GEYJ 102 V (1K) | T | 29.4/27.7 |
| R36 | 7030003500 | S.RES ERJ3GEYJ 332 V (3.3K) | T | 12.2/11.3 |
| R37 | 7030003640 | S.RES ERJ3GEYJ 473 V (47K) | T | 9.3/14.4 |
| R38 | 7030003360 | S.RES ERJ3GEYJ 221 V (220) | T | 6/44.5 |
| R39 | 7030003440 | S.RES ERJ3GEYJ 102 V (1K) | T | 8.6/43.3 |
| R40 | 7030003800 | S.RES ERJ3GEYJ 105 V (1M) | T | 16.4/5.5 |
| R41 | 7030003800 | S.RES ERJ3GEYJ 105 V (1M) | T | 16.4/4.3 |
| R42 | 7030003560 | S.RES ERJ3GEYJ 103 V (10K) | T | 24/4.2 |
| R500 | 7030004040 | S.RES ERJ3GEYJ 4R7 V (4.7) | T | 154.6/74 |
| R501 | 7030003440 | S.RES ERJ3GEYJ 102 V (1K) | T | 164.6/45.3 |
| R502 | 7030003420 | S.RES ERJ3GEYJ 681 V (680) | T | 158.9/80.1 |
| R503 | 7030003420 | S.RES ERJ3GEYJ 681 V (680) | T | 153.1/76.4 |
| R504 | 7030003470 | S.RES ERJ3GEYJ 182 V (1.8K) | T | 156.3/80.1 |
| R505 | 7030003240 | S.RES ERJ3GEYJ 220 V (22) | T | 153.8/72.8 |
| R506 | 7030003860 | S.RES ERJ3GE JPW V | T | 164.9/37.6 |
| R507 | 7030003560 | S.RES ERJ3GEYJ 103 V (10K) | T | 156.8/44.5 |
| R508 | 7030003400 | S.RES ERJ3GEYJ 471 V (470) | T | 160.8/41.4 |
| R509 | 7030003410 | S.RES 820 ERJ3GE | T | 157.6/34.5 |
| R510 | 7030003410 | S.RES 820 ERJ3GE | T | 152.4/34.5 |
| R512 | 7030003440 | S.RES ERJ3GEYJ 102 V (1K) | T | 158.3/58 |
| R515 | 7030003390 | S.RES ERJ3GEYJ 391 V (39K) | T | 150.1/47.4 |
| R516 | 7030003440 | S.RES ERJ3GEYJ 102 V (1K) | T | 148.6/46.2 |
| R520 | 7030003360 | S.RES ERJ3GEYJ 221 V (220) | T | 141.3/38.9 |
| R521 | 7030003860 | S.RES ERJ3GE JPW V | T | 141.4/43.5 |
| R522 | 7030003560 | S.RES ERJ3GEYJ 103 V (10K) | T | 142.1/48.6 |
| R523 | 7030003610 | S.RES ERJ3GEYJ 273 V (27K) | T | 145.2/52.6 |
| R524 | 7030003320 | S.RES ERJ3GEYJ 101 V (100) | T | 144.7/45.4 |
| R525 | 7030003340 | S.RES ERJ3GEYJ 151 V (150) | T | 142.1/55.7 |
| R526 | 7030003500 | S.RES ERJ3GEYJ 332 V (3.3K) | T | 142.1/53.3 |
| R527 | 7030003320 | S.RES ERJ3GEYJ 101 V (100) | T | 148.8/55.1 |
| R528 | 7510001541 | S.THE NTCG16 4BH 332JT | T | 145.2/53.9 |
| R529 | 7030003440 | S.RES ERJ3GEYJ 102 V (1K) | T | 145.2/55.1 |
| R530 | 7030003440 | S.RES ERJ3GEYJ 102 V (1K) | T | 141.8/26.2 |
| R531 | 7030003260 | S.RES ERJ3GEYJ 330 V (33K) | T | 145.4/29 |
| R532 | 7030003560 | S.RES ERJ3GEYJ 103 V (10K) | T | 145.2/51.4 |
| R533 | 7030003440 | S.RES ERJ3GEYJ 102 V (1K) | T | 168.2/45.6 |
| R534 | 7030003280 | S.RES ERJ3GEYJ 470 V (47) | T | 155.4/61.6 |
| R535 | 7030003400 | S.RES ERJ3GEYJ 471 V (470) | T | 150.5/23.8 |
| R536 | 7030003440 | S.RES ERJ3GEYJ 102 V (1K) | T | 146.9/24.3 |
| R537 | 7030003330 | S.RES ERJ3GEYJ 121 V (120) | T | 148.8/56.3 |
| R539 | 7030003440 | S.RES ERJ3GE | | |

[MAIN UNIT]

| REF NO. | PARTS NO. | DESCRIPTION | M. | H/V LOCATION |
|---------|------------|-----------------------------|----|--------------|
| R553 | 7030003480 | S.RES ERJ3GEYJ 222 V (2.2K) | T | 135.6/52 |
| R554 | 7030003640 | S.RES ERJ3GEYJ 473 V (47K) | T | 131.3/49.7 |
| R555 | 7030003260 | S.RES ERJ3GEYJ 330 V (33K) | T | 137.3/49.4 |
| R556 | 7030003560 | S.RES ERJ3GEYJ 103 V (10K) | T | 134.6/47.2 |
| R557 | 7030003320 | S.RES ERJ3GEYJ 101 V (100) | T | 127.1/46.7 |
| R558 | 7030003440 | S.RES ERJ3GEYJ 102 V (1K) | T | 124.8/40.2 |
| R559 | 7030003860 | S.RES ERJ3GE JPW V | T | 133/52 |
| R560 | 7030003440 | S.RES ERJ3GEYJ 102 V (1K) | T | 121.4/60.7 |
| R574 | 7030003440 | S.RES ERJ3GEYJ 102 V (1K) | T | 117.7/43 |
| R575 | 7030003440 | S.RES ERJ3GEYJ 102 V (1K) | T | 118/58.3 |
| R581 | 7030003660 | S.RES ERJ3GEYJ 683 V (68K) | T | 112.6/24.2 |
| R582 | 7030003440 | S.RES ERJ3GEYJ 102 V (1K) | T | 124.7/35.6 |
| R583 | 7030003320 | S.RES ERJ3GEYJ 101 V (100) | T | 126.1/34.4 |
| R584 | 7030003480 | S.RES ERJ3GEYJ 222 V (2.2K) | T | 121.1/23 |
| R585 | 7030003560 | S.RES ERJ3GEYJ 103 V (10K) | T | 118.5/24.2 |
| R586 | 7030003520 | S.RES ERJ3GEYJ 472 V (4.7K) | T | 112.6/25.4 |
| R587 | 7510001671 | S.THR NTCG16 4BH 103JT | T | 112.6/26.6 |
| R588 | 7030003470 | S.RES ERJ3GEYJ 182 V (1.8K) | T | 111/29 |
| R589 | 7030003260 | S.RES ERJ3GEYJ 330 V (33K) | T | 115.2/29 |
| R590 | 7030003610 | S.RES ERJ3GEYJ 273 V (27K) | T | 114.1/23 |
| R591 | 7030003440 | S.RES ERJ3GEYJ 102 V (1K) | T | 113.1/33.5 |
| R592 | 7030003520 | S.RES ERJ3GEYJ 472 V (4.7K) | T | 110.6/34.6 |
| R594 | 7030003520 | S.RES ERJ3GEYJ 472 V (4.7K) | T | 93.9/39 |
| R596 | 7030003440 | S.RES ERJ3GEYJ 102 V (1K) | T | 81.6/46.7 |
| R597 | 7510001451 | S.THE NTCG16 4BH 472JT | T | 79/46.6 |
| R598 | 7030003400 | S.RES ERJ3GEYJ 471 V (470) | T | 79/47.9 |
| R601 | 7030003520 | S.RES ERJ3GEYJ 472 V (4.7K) | T | 107.6/29 |
| R602 | 7030003520 | S.RES ERJ3GEYJ 472 V (4.7K) | T | 98/37 |
| R611 | 7030003520 | S.RES ERJ3GEYJ 472 V (4.7K) | T | 91.8/37.5 |
| R614 | 7030003280 | S.RES ERJ3GEYJ 470 V (47) | T | 89.9/26.2 |
| R617 | 7030003860 | S.RES ERJ3GE JPW V | T | 93.3/34.1 |
| R618 | 7030003560 | S.RES ERJ3GEYJ 103 V (10K) | T | 90/29.6 |
| R619 | 7030003260 | S.RES ERJ3GEYJ 330 V (33K) | T | 90.1/35.7 |
| R620 | 7030003600 | S.RES ERJ3GEYJ 223 V (22K) | T | 86.7/33.0 |
| R621 | 7030003640 | S.RES ERJ3GEYJ 473 V (47K) | T | 87.3/35.6 |
| R622 | 7030003860 | S.RES ERJ3GE JPW V | T | 86.7/34.4 |
| R623 | 7030003560 | S.RES ERJ3GEYJ 103 V (10K) | T | 86.3/29.7 |
| R624 | 7030003400 | S.RES ERJ3GEYJ 471 V (470) | T | 86.3/30.9 |
| R652 | 7030003280 | S.RES ERJ3GEYJ 470 V (47) | T | 87.3/42.2 |
| R653 | 7030003400 | S.RES ERJ3GEYJ 471 V (470) | T | 85.9/41 |
| R654 | 7030003610 | S.RES ERJ3GEYJ 273 V (27K) | T | 88.3/45.6 |
| R655 | 7030003640 | S.RES ERJ3GEYJ 473 V (47K) | T | 88.3/46.8 |
| R656 | 7030003480 | S.RES ERJ3GEYJ 222 V (2.2K) | T | 94.1/53.1 |
| R657 | 7030003480 | S.RES ERJ3GEYJ 222 V (2.2K) | T | 92.6/55.5 |
| R658 | 7030003480 | S.RES ERJ3GEYJ 222 V (2.2K) | T | 88.3/51.2 |
| R659 | 7030003320 | S.RES ERJ3GEYJ 101 V (100) | T | 88.3/52.4 |
| R660 | 7510001541 | S.THE NTCG16 4BH 332JT | T | 96.7/54.3 |
| R661 | 7030003560 | S.RES ERJ3GEYJ 103 V (10K) | T | 88.9/59.5 |
| R662 | 7030003560 | S.RES ERJ3GEYJ 103 V (10K) | T | 90/56.2 |
| R663 | 7510001541 | S.THE NTCG16 4BH 332JT | T | 94.1/54.3 |
| R664 | 7030003280 | S.RES ERJ3GEYJ 470 V (47) | T | 95/46.3 |
| R665 | 7030003520 | S.RES ERJ3GEYJ 472 V (4.7K) | T | 99.6/45.1 |
| R666 | 7030003320 | S.RES ERJ3GEYJ 101 V (100) | T | 95.5/42.7 |
| R667 | 7030003520 | S.RES ERJ3GEYJ 472 V (4.7K) | T | 101.2/41.9 |
| R668 | 7030003670 | S.RES ERJ3GEYJ 823 V (82K) | T | 96.6/40.3 |
| R669 | 7030003620 | S.RES ERJ3GEYJ 333 V (33K) | T | 100.5/39.3 |
| R670 | 7510001541 | S.THE NTCG16 4BH 332JT | T | 95.5/43.9 |
| R671 | 7030003260 | S.RES ERJ3GEYJ 330 V (33K) | T | 92/44.8 |
| R672 | 7030003400 | S.RES ERJ3GEYJ 471 V (470) | T | 88.9/53.6 |
| R674 | 7030003860 | S.RES ERJ3GE JPW V | T | 84.7/42.2 |
| R675 | 7030003400 | S.RES ERJ3GEYJ 471 V (470) | T | 82.1/42.2 |
| R676 | 7030003520 | S.RES ERJ3GEYJ 472 V (4.7K) | T | 66.9/32.1 |
| R677 | 7030003520 | S.RES ERJ3GEYJ 472 V (4.7K) | T | 66.9/33.3 |
| R678 | 7030003480 | S.RES ERJ3GEYJ 222 V (2.2K) | T | 70.9/39.5 |
| R679 | 7030003480 | S.RES ERJ3GEYJ 222 V (2.2K) | T | 73.5/39.5 |
| R680 | 7030003400 | S.RES ERJ3GEYJ 471 V (470) | T | 82.3/34.5 |
| R681 | 7030003680 | S.RES ERJ3GEYJ 104 V (100K) | T | 74.4/27.4 |
| R682 | 7030003440 | S.RES ERJ3GEYJ 102 V (1K) | T | 74.4/26.2 |
| R684 | 7030003530 | S.RES ERJ3GEYJ 562 V (5.6K) | T | 95.3/51.3 |
| R685 | 7030004040 | S.RES ERJ3GEYJ 473 V (47K) | T | 78.9/26.8 |
| R686 | 7030003440 | S.RES ERJ3GEYJ 102 V (1K) | T | 78.1/28.6 |
| R687 | 7030003440 | S.RES ERJ3GEYJ 102 V (1K) | T | 77/27.4 |
| R1021 | 7030003520 | S.RES ERJ3GEYJ 472 V (4.7K) | T | 56.6/50.6 |
| R1022 | 7030003520 | S.RES ERJ3GEYJ 472 V (4.7K) | T | 56.6/49.4 |
| R1023 | 7030003320 | S.RES ERJ3GEYJ 101 V (100) | T | 59.2/50.6 |
| R1024 | 7030003640 | S.RES ERJ3GEYJ 473 V (47K) | T | 54.5/48.5 |
| R1025 | 7030003640 | S.RES ERJ3GEYJ 473 V (47K) | T | 63.6/45.6 |
| R1026 | 7030003640 | S.RES ERJ3GEYJ 473 V (47K) | T | 60.6/39.6 |
| R1031 | 7030003420 | S.RES ERJ3GEYJ 681 V (680) | T | 107.6/17.5 |
| R1032 | 7030003560 | S.RES ERJ3GEYJ 103 V (10K) | T | 110.9/16.4 |
| R1033 | 7030003520 | S.RES ERJ3GEYJ 472 V (4.7K) | T | 50.1/44.2 |
| R1034 | 7030003860 | S.RES ERJ3GE JPW V | T | 52.7/45.4 |
| R1035 | 7030003680 | S.RES ERJ3GEYJ 104 V (100K) | T | 51.9/41.8 |
| R1036 | 7030003320 | S.RES ERJ3GEYJ 101 V (100) | T | 61.7/41 |
| R1037 | 7030003680 | S.RES ERJ3GEYJ 104 V (100K) | T | 62.4/38.7 |
| R1038 | 7030003320 | S.RES ERJ3GEYJ 101 V (100) | T | 106.8/19.9 |
| R1039 | 7030003640 | S.RES ERJ3GEYJ 473 V (47K) | T | 99.4/18.2 |
| R1040 | 7030003640 | S.RES ERJ3GEYJ 473 V (47K) | T | 102/18.9 |
| R1041 | 7030003460 | S.RES ERJ3GEYJ 152 V (1.5K) | T | 110.9/15.2 |
| R1042 | 7030003560 | S.RES ERJ3GEYJ 103 V (10K) | T | 110.9/14 |
| R1043 | 7030003620 | S.RES ERJ3GEYJ 333 V (33K) | T | 50.8/36.9 |
| R1044 | 7030003640 | S.RES ERJ3GEYJ 473 V (47K) | T | 56.1/42.4 |
| R1045 | 7030003530 | S.RES ERJ3GEYJ 562 V (5.6K) | T | 52.8/36.2 |
| R1052 | 7030003560 | S.RES ERJ3GEYJ 103 V (10K) | T | 15.1/78.6 |
| R1053 | 7030003560 | S.RES ERJ3GEYJ 103 V (10K) | T | 18.1/85.2 |
| R1054 | 7030003600 | S.RES ERJ3GEYJ 223 V (22K) | T | 21.2/78.2 |
| R1055 | 7030003320 | S.RES ERJ3GEYJ 101 V (100) | T | 15.1/76.2 |
| R1056 | 7030003860 | S.RES ERJ3GE JPW V | T | 10.9/84.4 |

[MAIN UNIT]

| REF NO. | PARTS NO. | DESCRIPTION | M. | H/V LOCATION |
|---------|------------|-----------------------------|----|--------------|
| R1057 | 7030003600 | S.RES ERJ3GEYJ 223 V (22K) | T | 21.2/79.4 |
| R1058 | 7030003600 | S.RES ERJ3GEYJ 104 V (100K) | T | 21.2/81.8 |
| R1059 | 7030003620 | S.RES ERJ3GEYJ 333 V (33K) | T | 18.1/84 |
| R1060 | 7030003440 | S.RES ERJ3GEYJ 102 V (1K) | T | 15.4/84 |
| R1061 | 7030003320 | S.RES ERJ3GEYJ 101 V (100) | T | 15.1/82.2 |
| R1063 | 7030003640 | S.RES ERJ3GEYJ 473 V (47K) | T | 18.7/70.3 |
| R1064 | 7030003640 | S.RES ERJ3GEYJ 473 V (47K) | T | 15.1/79.8 |
| R1070 | 7030003520 | S.RES ERJ3GEYJ 472 V (4.7K) | T | 163.1/88.8 |
| R1071 | 7030003520 | S.RES ERJ3GEYJ 472 V (4.7K) | T | 159.6/89.1 |
| R1072 | 7030003560 | S.RES ERJ3GEYJ 103 V (10K) | T | 162.2/91.2 |
| R1073 | 7030003560 | S.RES ERJ3GEYJ 103 V (10K) | T | 159.6/91.5 |
| R1074 | 7030003560 | S.RES ERJ3GEYJ 103 V (10K) | T | 164.3/98.8 |
| R1075 | 7030003520 | S.RES ERJ3GEYJ 472 V (4.7K) | T | 9.4/80.8 |
| R1076 | 7030003520 | S.RES ERJ3GEYJ 472 V (4.7K) | T | 9.4/83.2 |
| R1077 | 7030003560 | S.RES ERJ3GEYJ 103 V (10K) | T | 5.3/74.3 |
| R1078 | 7030003560 | S.RES ERJ3GEYJ 103 V (10K) | T | 6.7/83.2 |
| R1079 | 7030003560 | S.RES ERJ3GEYJ 103 V (10K) | T | 6.8/81.1 |
| R1080 | 7030003440 | S.RES ERJ3GEYJ 102 V (1K) | T | 158.2/96.4 |
| R1081 | 7030003280 | S.RES ERJ3GEYJ 470 V (47) | T | 159.6/92.7 |
| R1083 | 7030003640 | S.RES ERJ3GEYJ 473 V (47K) | T | 165.8/94.9 |
| R1084 | 7030003800 | S.RES ERJ3GEYJ 105 V (1M) | T | 157/95.1 |
| R1086 | 7030003320 | S.RES ERJ3GEYJ 101 V (100) | T | 165.8/93.7 |
| R1087 | 7030003320 | S.RES ERJ3GEYJ 101 V (100) | T | 2.7/79.4 |
| R1088 | 7030003280 | S.RES ERJ3GEYJ 470 V (47) | T | 8.5/75.8 |
| R1089 | 7030003640 | S.RES ERJ3GEYJ 473 V (47K) | T | 8.5/79.4 |
| R1090 | 7030003440 | S.RES ERJ3GEYJ 102 V (1K) | T | 8.5/78.2 |
| R1091 | 7030003860 | S.RES ERJ3GE JPW V | T | 173.8/84.5 |
| R1092 | 7030003560 | S.RES ERJ3GEYJ 103 V (10K) | T | 164.3/100.1 |
| R1093 | 7030003440 | S.RES ERJ3GEYJ 102 V (1K) | T | 168.4/97.6 |
| R1094 | 7030003400 | S.RES ERJ3GEYJ 471 V (470) | T | 183.2/83.9 |
| R1095 | 7030004040 | S.RES ERJ3GEYJ 473 V (4.7K) | T | 186.8/86.7 |
| R1096 | 7030010260 | S.RES ERJ1TYJ 3R3 U | T | 17.6/38.2 |
| R1514 | 7030003320 | S.RES ERJ3GEYJ 101 V (100) | T | 63.8/32.1 |
| R1515 | 7030003800 | S.RES ERJ3GEYJ 105 V (1M) | T | 59.6/35.5 |
| R1516 | 7030003320 | S.RES ERJ3GEYJ 101 V (100) | T | 58.3/35.5 |
| R1521 | 7030003860 | S.RES ERJ3GE JPW V | T | 2.7/53.7 |
| R1531 | 7030003560 | S.RES ERJ3GEYJ 103 V (10K) | T | 46.1/41.7 |
| R1532 | 7030003440 | S.RES ERJ3GEYJ 102 V (1K) | T | 33.2/57.9 |
| R1548 | 7030003860 | S.RES ERJ3GE JPW V | T | 29.1/16 |
| R1549 | 7030003860 | S.RES ERJ3GE JPW V | T | 65.9/37.8 |
| R1550 | 7030003860 | S.RES ERJ3GE JPW V | T | 55.7/35.5 |
| R1553 | 7030003320 | S.RES ERJ3GEYJ 101 V (100) | T | 56.9/34 |
| R1554 | 7030003560 | S.RES ERJ3GEYJ 103 V (10K) | T | 53.3/34 |
| R1555 | 7030003560 | S.RES ERJ3GEYJ 103 V (10K) | T | 49.7/34 |
| R1556 | 7030003560 | S.RES ERJ3GEYJ 103 V (10K) | T | 66.2/23.4 |
| R1557 | 7030003560 | S.RES ERJ3GEYJ 103 V (10K) | T | 65/23.8 |
| R1558 | 7030003560 | S.RES ERJ3GEYJ 103 V (10K) | T | 43.5/3.2 |
| R1559 | 7030003560 | S.RES ERJ3GEYJ 103 V (10K) | T | 42.3/3.2 |
| R1591 | 7030003860 | S.RES ERJ3GE JPW V | T | 82.8/9.2 |
| R1601 | 7030003320 | S.RES ERJ3GEYJ 101 V (100) | T | 52.6/48.8 |
| R1602 | 7030003520 | S.RES ERJ3GEYJ 472 V (4.7K) | T | 38.7/48.2 |
| R1603 | 7030003520 | S.RES ERJ3GEYJ 472 V (4.7K) | T | 44.2/50.8 |
| R1604 | 7030003520 | S.RES ERJ3GEYJ 472 V (4.7K) | T | 40.9/49.4 |
| R1605 | 7030003520 | S.RES ERJ3GEYJ 472 V (4.7K) | T | 49.8/46.4 |
| R1606 | 7030003520 | S.RES ERJ3GEYJ 472 V (4.7K) | T | 45.9/44.4 |
| R1607 | 7030003520 | S.RES ERJ3GEYJ 472 V (4.7K) | T | 49.8/47.6 |
| R1621 | 7030003320 | S.RES ERJ3GEYJ 101 V (100) | T | 41.9/58.7 |
| R1622 | 7030003490 | S.RES ERJ3GEYJ 272 V (2.7K) | T | 37.2/52 |
| R1623 | 7030003490 | S.RES ERJ3GEYJ 272 V (2.7K) | T | 37.2/50.8 |
| R1624 | 7030003490 | S.RES ERJ3GEYJ 272 V (2.7K) | T | 40.3/52 |
| R1625 | 7030003490 | S.RES ERJ3GEYJ 272 V (2.7K) | T | 40.3/50.8 |
| R1626 | 7030003460 | S.RES ERJ3GEYJ 152 V (1.5K) | T | 36/59.4 |
| R1627 | 7030003460 | S.RES ERJ3GEYJ 152 V (1.5K) | T | 38.9/58.2 |
| R1628 | 7030003320 | S.RES ERJ3GEYJ 101 V (100) | T | 33.2/59.4 |
| R1629 | 7030003320 | S.RES ERJ3GEYJ 101 V (100) | T | 38.9/60.6 |
| R1641 | 7030003320 | S.RES ERJ3GEYJ 101 V (100) | T | 52.8/59.4 |
| R1642 | 7030003490 | S.RES ERJ3GEYJ 272 V (2.7K) | T | 50.1/53.2 |
| R1643 | 7030003490 | S.RES ERJ3GEYJ 272 V (2.7K) | T | 47.5/52 |
| R1644 | 7030003490 | S.RES ERJ3GEYJ 272 V (2.7K) | T | 52.7/53.2 |
| R1645 | 7030003490 | S.RES ERJ3GEYJ 272 V (2.7K) | T | 52/52 |
| R1646 | 7030003460 | S.RES ERJ3GEYJ 152 V (1.5K) | T | 47/59.7 |
| R1647 | 7030003460 | S.RES ERJ3GEYJ 152 V (1.5K) | T | 49.8/58.4 |
| R1648 | 7030003320 | S.RES ERJ3GEYJ 101 V (100) | T | 44.4/59.7 |
| R1649 | 7030003320 | S.RES ERJ3GEYJ 101 V (100) | T | 49.8/60.9 |
| R1661 | 7030003320 | S.RES ERJ3GEYJ 101 V (100) | T | 22/64.2 |
| R1662 | 7030003320 | S.RES ERJ3GEYJ 101 V (100) | T | 29/61.3 |
| R1663 | 7030003860 | S.RES ERJ3GE JPW V | T | 29/58.9 |
| R1664 | 7030003320 | S.RES ERJ3GEYJ 101 V (100) | T | 29/60.1 |
| R1665 | 7030003320 | S.RES ERJ3GEYJ 101 V (100) | T | 29/62.5 |
| R1666 | 7030003860 | S.RES ERJ3GE JPW V | T | 21.7/51.4 |
| R1667 | 7 | | | |

[MAIN UNIT]

| REF NO. | PARTS NO. | DESCRIPTION | M. | H/V LOCATION |
|---------|------------|-----------------------------|----|--------------|
| R1710 | 7030003540 | S.RES ERJ3GEYJ 682 V (6.8K) | T | 5.4/67.9 |
| R1711 | 7030003540 | S.RES ERJ3GEYJ 682 V (6.8K) | T | 8.6/66 |
| R1712 | 7030003500 | S.RES ERJ3GEYJ 332 V (3.3K) | T | 12.7/67.2 |
| R1713 | 7030003540 | S.RES ERJ3GEYJ 682 V (6.8K) | T | 12.7/66 |
| R1714 | 7030003540 | S.RES ERJ3GEYJ 682 V (6.8K) | T | 15.6/66 |
| R1716 | 7030003320 | S.RES ERJ3GEYJ 101 V (100) | T | 12.4/75.2 |
| R1717 | 7030003560 | S.RES ERJ3GEYJ 103 V (10K) | T | 15.7/70.3 |
| R2011 | 7030003560 | S.RES ERJ3GEYJ 103 V (10K) | T | 59.8/79.9 |
| R2012 | 7030003670 | S.RES ERJ3GEYJ 823 V (82K) | T | 59.8/81.1 |
| R2013 | 7030005691 | S.RES ERA3YED 123V (12K) | T | 59.8/77 |
| R2015 | 7030003480 | S.RES ERJ3GEYJ 222 V (2.2K) | T | 65.6/78.1 |
| R2016 | 7030003520 | S.RES ERJ3GEYJ 472 V (4.7K) | T | 67.1/76.9 |
| R2017 | 7030003400 | S.RES ERJ3GEYJ 471 V (470) | T | 68.8/79.7 |
| R2018 | 7030003330 | S.RES ERJ3GEYJ 121 V (120) | T | 68.8/80.9 |
| R2023 | 7030003310 | S.RES ERJ3GEYJ 820 V (82) | T | 63.1/55 |
| R2024 | 7030003310 | S.RES ERJ3GEYJ 820 V (82) | T | 60.4/55 |
| R2025 | 7030003310 | S.RES ERJ3GEYJ 820 V (82) | T | 63.1/53.8 |
| R2042 | 7030003800 | S.RES ERJ3GEYJ 105 V (1M) | T | 74.5/71.6 |
| R2043 | 7030003440 | S.RES ERJ3GEYJ 102 V (1K) | T | 77.2/58.6 |
| R2044 | 7030003440 | S.RES ERJ3GEYJ 102 V (1K) | T | 77.2/59.8 |
| R2045 | 7030003440 | S.RES ERJ3GEYJ 102 V (1K) | T | 77.2/61 |
| R2053 | 7030003320 | S.RES ERJ3GEYJ 101 V (100) | T | 61.5/51.6 |
| R2054 | 7030003280 | S.RES ERJ3GEYJ 470 V (47) | T | 71.6/57 |
| R2061 | 7030003280 | S.RES ERJ3GEYJ 470 V (47) | T | 76.4/81.3 |
| R2062 | 7030003240 | S.RES ERJ3GEYJ 220 V (22) | T | 76.4/82.5 |
| R2071 | 7030003860 | S.RES ERJ3GE JPW V | T | 84.6/68.1 |
| R2101 | 7030003260 | S.RES ERJ3GEYJ 330 V (33) | T | 86/64.3 |
| R2104 | 7030003280 | S.RES ERJ3GEYJ 470 V (47) | T | 96.1/58.5 |
| R2105 | 7030003340 | S.RES ERJ3GEYJ 151 V (150) | T | 84.5/65.5 |
| R2106 | 7030003340 | S.RES ERJ3GEYJ 151 V (150) | T | 87.5/65.5 |
| R2500 | 7030003240 | S.RES ERJ3GEYJ 220 V (22) | T | 55.5/80.6 |
| R2501 | 7030003240 | S.RES ERJ3GEYJ 220 V (22) | T | 55.5/79.4 |
| R2502 | 7030003640 | S.RES ERJ3GEYJ 473 V (47K) | T | 49.8/85.2 |
| R2503 | 7030003640 | S.RES ERJ3GEYJ 473 V (47K) | T | 48.7/80.2 |
| R2542 | 7030003860 | S.RES ERJ3GE JPW V | T | 50.7/92.7 |
| R2543 | 7030003440 | S.RES ERJ3GEYJ 102 V (1K) | T | 39.8/83.8 |
| R2544 | 7030003860 | S.RES ERJ3GE JPW V | T | 49/86.8 |
| R2546 | 7030003330 | S.RES ERJ3GEYJ 121 V (120) | T | 55.2/93.7 |
| R2548 | 7030003440 | S.RES ERJ3GEYJ 102 V (1K) | T | 36.6/93.6 |
| R2549 | 7030003440 | S.RES ERJ3GEYJ 102 V (1K) | T | 36.6/94.8 |
| R2550 | 7030003440 | S.RES ERJ3GEYJ 102 V (1K) | T | 36.6/96 |
| R2551 | 7030003860 | S.RES ERJ3GE JPW V | T | 36.6/97.2 |
| R2552 | 7030003330 | S.RES ERJ3GEYJ 121 V (120) | T | 55.2/91.1 |
| R2553 | 7030003470 | S.RES ERJ3GEYJ 182 V (1.8K) | T | 51.2/95.9 |
| R2554 | 7030003440 | S.RES ERJ3GEYJ 102 V (1K) | T | 39.8/96.9 |
| R2555 | 7030003560 | S.RES ERJ3GEYJ 103 V (10K) | T | 40.7/98.4 |
| R2556 | 7030003470 | S.RES ERJ3GEYJ 182 V (1.8K) | T | 51.2/97.1 |
| R2557 | 7030003860 | S.RES ERJ3GE JPW V | T | 40.2/87 |
| R2590 | 7030003240 | S.RES ERJ3GEYJ 220 V (22) | T | 93.2/96.6 |
| R2591 | 7030003240 | S.RES ERJ3GEYJ 220 V (22) | T | 93.2/95.4 |
| R2592 | 7030003400 | S.RES ERJ3GEYJ 471 V (470) | T | 93.2/93 |
| R2593 | 7030003400 | S.RES ERJ3GEYJ 471 V (470) | T | 95.8/95.4 |
| R2594 | 7030003340 | S.RES ERJ3GEYJ 151 V (150) | T | 54.3/88 |
| R2595 | 7030003400 | S.RES ERJ3GEYJ 471 V (470) | T | 54.6/97.4 |
| R2596 | 7030003330 | S.RES ERJ3GEYJ 121 V (120) | T | 54.3/86.8 |
| R2597 | 7030003340 | S.RES ERJ3GEYJ 151 V (150) | T | 68.4/91.4 |
| R2598 | 7030003400 | S.RES ERJ3GEYJ 471 V (470) | T | 68.7/96.3 |
| R2599 | 7030003330 | S.RES ERJ3GEYJ 121 V (120) | T | 67.8/89.6 |
| R2701 | 7030003440 | S.RES ERJ3GEYJ 102 V (1K) | T | 99.5/83.9 |
| R2702 | 7030003440 | S.RES ERJ3GEYJ 102 V (1K) | T | 98/82.6 |
| R2703 | 7030003440 | S.RES ERJ3GEYJ 102 V (1K) | T | 98/81.4 |
| R2711 | 7030003390 | S.RES ERJ3GEYJ 391 V (390) | T | 109.7/89.7 |
| R2715 | 7030003390 | S.RES ERJ3GEYJ 391 V (390) | T | 145/96.3 |
| R2801 | 7030003390 | S.RES ERJ3GEYJ 391 V (390) | T | 115.4/94 |
| R2802 | 7030003260 | S.RES ERJ3GEYJ 330 V (33) | T | 135.9/97.2 |
| R2803 | 7030003340 | S.RES ERJ3GEYJ 151 V (150) | T | 135.9/94.8 |
| R2804 | 7030003340 | S.RES ERJ3GEYJ 151 V (150) | T | 137/96 |
| R2805 | 7030003390 | S.RES ERJ3GEYJ 391 V (390) | T | 140/92.6 |
| R2806 | 7030003680 | S.RES ERJ3GEYJ 104 V (100K) | T | 141.8/93.9 |
| R2851 | 7030003390 | S.RES ERJ3GEYJ 391 V (390) | T | 115.5/88.9 |
| R2852 | 7030003240 | S.RES ERJ3GEYJ 220 V (22) | T | 135.9/90.4 |
| R2853 | 7030003400 | S.RES ERJ3GEYJ 471 V (470) | T | 134.4/89.2 |
| R2854 | 7030003400 | S.RES ERJ3GEYJ 471 V (470) | T | 137/89.2 |
| R2855 | 7030003390 | S.RES ERJ3GEYJ 391 V (390) | T | 140.3/85.8 |
| R2856 | 7030003680 | S.RES ERJ3GEYJ 104 V (100K) | T | 141.8/87 |
| R2857 | 7030003240 | S.RES ERJ3GEYJ 220 V (22) | T | 135.9/91.6 |
| R2901 | 7030003390 | S.RES ERJ3GEYJ 391 V (390) | T | 115.5/82.2 |
| R2902 | 7030003260 | S.RES ERJ3GEYJ 330 V (33) | T | 135.9/83.6 |
| R2903 | 7030003340 | S.RES ERJ3GEYJ 151 V (150) | T | 135.9/81.2 |
| R2904 | 7030003340 | S.RES ERJ3GEYJ 151 V (150) | T | 137/82.4 |
| R2905 | 7030003390 | S.RES ERJ3GEYJ 391 V (390) | T | 140/79 |
| R2906 | 7030003680 | S.RES ERJ3GEYJ 104 V (100K) | T | 141.7/80.2 |
| R2950 | 7030003260 | S.RES ERJ3GEYJ 330 V (33) | T | 135.2/77.5 |
| R2951 | 7030003390 | S.RES ERJ3GEYJ 391 V (390) | T | 115.5/75.4 |
| R2952 | 7030003260 | S.RES ERJ3GEYJ 330 V (33) | T | 136.7/77.5 |
| R2953 | 7030003320 | S.RES ERJ3GEYJ 101 V (100) | T | 135.9/74.4 |
| R2954 | 7030003320 | S.RES ERJ3GEYJ 101 V (100) | T | 137/75.6 |
| R2955 | 7030003390 | S.RES ERJ3GEYJ 391 V (390) | T | 140.2/72.2 |
| R2956 | 7030003680 | S.RES ERJ3GEYJ 104 V (100K) | T | 141.7/73.4 |
| R2957 | 7030003440 | S.RES ERJ3GEYJ 102 V (1K) | T | 14.7/37 |
| R2958 | 7030003440 | S.RES ERJ3GEYJ 102 V (1K) | T | 28.1/39.8 |
| R2959 | 7030003440 | S.RES ERJ3GEYJ 102 V (1K) | T | 20.3/37.2 |
| R2960 | 7030003320 | S.RES ERJ3GEYJ 101 V (100) | T | 20.3/38.4 |
| R2961 | 7030003320 | S.RES ERJ3GEYJ 101 V (100) | T | 20.3/39.6 |
| R2962 | 7030003440 | S.RES ERJ3GEYJ 102 V (1K) | T | 20.3/40.8 |
| R2963 | 7030003440 | S.RES ERJ3GEYJ 102 V (1K) | T | 20.3/42 |
| R2994 | 7030003320 | S.RES ERJ3GEYJ 101 V (100) | T | 152.4/6.3 |
| R2995 | 7030003320 | S.RES ERJ3GEYJ 101 V (100) | T | 152/5.1 |

[MAIN UNIT]

| REF NO. | PARTS NO. | DESCRIPTION | M. | H/V LOCATION |
|---------|------------|-----------------------------|----|--------------|
| R2996 | 7030003320 | S.RES ERJ3GEYJ 101 V (100) | T | 151.7/3.9 |
| R2997 | 7030003320 | S.RES ERJ3GEYJ 101 V (100) | T | 151.3/2.7 |
| R3000 | 7030003680 | S.RES ERJ3GEYJ 104 V (100K) | T | 135.6/53.2 |
| R3001 | 7030003680 | S.RES ERJ3GEYJ 104 V (100K) | T | 137.7/45.2 |
| R3012 | 7030003360 | S.RES ERJ3GEYJ 221 V (220) | T | 177.1/2.8 |
| R3013 | 7030003360 | S.RES ERJ3GEYJ 221 V (220) | T | 175.9/13.7 |
| R3014 | 7030003360 | S.RES ERJ3GEYJ 221 V (220) | T | 185.8/4.6 |
| R3015 | 7030003360 | S.RES ERJ3GEYJ 221 V (220) | T | 182/12.4 |
| R3016 | 7030003360 | S.RES ERJ3GEYJ 221 V (220) | T | 186.5/10.8 |
| R3018 | 7030003860 | S.RES ERJ3GE JPW V | T | 2.7/75.5 |
| R3201 | 7030003600 | S.RES ERJ3GEYJ 223 V (22K) | T | 171.8/62.8 |
| R3202 | 7030003600 | S.RES ERJ3GEYJ 223 V (22K) | T | 171.8/61.6 |
| R3203 | 7030003400 | S.RES ERJ3GEYJ 471 V (470) | T | 173.4/57.8 |
| R3204 | 7030003680 | S.RES ERJ3GEYJ 104 V (100K) | T | 172.9/60.2 |
| R3205 | 7030003560 | S.RES ERJ3GEYJ 103 V (10K) | T | 170.7/57.8 |
| R3206 | 7030003680 | S.RES ERJ3GEYJ 104 V (100K) | T | 171.8/55.4 |
| R3207 | 7030003800 | S.RES ERJ3GEYJ 105 V (1M) | T | 178.8/54.2 |
| R3208 | 7030005691 | S.RES ERA3YED 123V (12K) | T | 182.4/55.2 |
| R3209 | 7030003240 | S.RES ERJ3GEYJ 220 V (22) | T | 183.9/41 |
| R3210 | 7030003240 | S.RES ERJ3GEYJ 220 V (22) | T | 183.9/42.2 |
| R3211 | 7030003640 | S.RES ERJ3GEYJ 473 V (47K) | T | 188.1/57.2 |
| R3212 | 7030003680 | S.RES ERJ3GEYJ 104 V (100K) | T | 181.5/63.7 |
| R3213 | 7030003680 | S.RES ERJ3GEYJ 104 V (100K) | T | 180.9/64.9 |
| R3214 | 7030003680 | S.RES ERJ3GEYJ 152 V (1.5K) | T | 183.9/43.5 |
| R3215 | 7030003800 | S.RES ERJ3GEYJ 105 V (1M) | T | 183.9/39.8 |
| R3216 | 7030003800 | S.RES ERJ3GEYJ 105 V (1M) | T | 176.6/34.4 |
| R3217 | 7030003520 | S.RES ERJ3GEYJ 472 V (4.7K) | T | 179.7/73.3 |
| R3218 | 7030003560 | S.RES ERJ3GEYJ 103 V (10K) | T | 177/73.3 |
| R3219 | 7030003590 | S.RES ERJ3GEYJ 183 V (18K) | T | 164.3/73 |
| R3220 | 7030003560 | S.RES ERJ3GEYJ 103 V (10K) | T | 166.9/73 |
| R3221 | 7030003640 | S.RES ERJ3GEYJ 473 V (47K) | T | 166/68.7 |
| R3222 | 7030003590 | S.RES ERJ3GEYJ 183 V (18K) | T | 166.9/70.9 |
| R3223 | 7030003680 | S.RES ERJ3GEYJ 104 V (100K) | T | 173.2/74 |
| R3224 | 7030003680 | S.RES ERJ3GEYJ 104 V (100K) | T | 172.3/67.2 |
| R3225 | 7030003860 | S.RES ERJ3GE JPW V | T | 189.5/38.8 |
| R3226 | 7030003860 | S.RES ERJ3GE JPW V | T | 185.2/46.3 |
| R3227 | 7030003400 | S.RES ERJ3GEYJ 471 V (470) | T | 83.5/37.5 |
| R3229 | 7030003440 | S.RES ERJ3GEYJ 102 V (1K) | T | 16.2/8.6 |
| R3230 | 7030003440 | S.RES ERJ3GEYJ 102 V (1K) | T | 15.1/10.1 |
| R3231 | 7030003440 | S.RES ERJ3GEYJ 102 V (1K) | T | 15.1/11.6 |
| R3232 | 7030003440 | S.RES ERJ3GEYJ 102 V (1K) | T | 15.1/13.2 |
| R3233 | 7030003440 | S.RES ERJ3GEYJ 102 V (1K) | T | 17.6/15.9 |
| R3234 | 7030003280 | S.RES ERJ3GEYJ 470 V (47) | T | 117.7/49.2 |
| R3235 | 7030003640 | S.RES ERJ3GEYJ 473 V (47K) | T | 163.4/68.7 |
| R3236 | 7030003860 | S.RES ERJ3GE JPW V | T | 166.7/65.7 |
| R3237 | 7030003860 | S.RES ERJ3GE JPW V | T | 162.6/62.5 |
| R3242 | 7030010570 | S.RES ERJ1TYJ 4R7U (4.7) | T | 8.6/95.8 |
| R3243 | 7030010570 | S.RES ERJ1TYJ 4R7U (4.7) | T | 16/95.8 |
| R3244 | 7030010570 | S.RES ERJ1TYJ 4R7U (4.7) | T | 12.3/95.8 |
| R3248 | 7030003860 | S.RES ERJ3GE JPW V | T | 167.7/59 |
| R3249 | 7030003860 | S.RES ERJ3GE JPW V | T | 177.6/75.2 |
| R3250 | 7030003860 | S.RES ERJ3GE JPW V | T | 175.4/75.1 |
| R3251 | 7030003860 | S.RES ERJ3GE JPW V | T | 174.7/67 |
| R3253 | 7030003860 | S.RES ERJ3GE JPW V | T | 165.5/63.1 |
| R3254 | 7030003860 | S.RES ERJ3GE JPW V | T | 161.6/69.5 |
| C1 | 4030006880 | S.CER C1608 JB 1H 472K-T | T | 173.6/24.2 |
| C2 | 4030006880 | S.CER C1608 JB 1H 472K-T | T | 179.2/27.2 |
| C6 | 4030007090 | S.CER C1608 CH 1H 470J-T | T | 19.2/30.3 |
| C9 | 4030007090 | S.CER C1608 CH 1H 470J-T | T | 16.9/19.5 |
| C10 | 4030007090 | S.CER C1608 CH 1H 470J-T | T | 19.2/29.1 |
| C11 | 4030007090 | S.CER C1608 CH 1H 470J-T | T | 19.2/31.5 |
| C12 | 4030007090 | S.CER C1608 CH 1H 470J-T | T | 19.7/33.9 |
| C14 | 4030007090 | S.CER C1608 CH 1H 470J-T | T | 17.1/34.6 |
| C16 | 4030006880 | S.CER C1608 JB 1H 102K-T | T | 17.4/3.1 |
| C17 | 4030011600 | S.CER C1608 JB 1E 104K-T | T | 193/33.7 |
| C18 | 4030006880 | S.CER C1608 JB 1H 102K-T | T | 120/17.6 |
| C19 | 4030006880 | S.CER C1608 JB 1H 102K-T | T | 113.5/19.4 |
| C21 | 4030006880 | S.CER C1608 JB 1H 472K-T | T | 7.3/33 |
| C22 | 4030006880 | S.CER C1608 JB 1H 102K-T | T | 61/44.5 |
| C23 | 4030006880 | S.CER C1608 JB 1H 102K-T | T | 125.5/19.3 |
| C24 | 4030006880 | S.CER C1608 JB 1H 472K-T | T | 4.7/38.9 |
| C25 | 4030006880 | S.CER C1608 JB 1H 102K-T | T | 20.9/4.9 |
| C26 | 4030006880 | S.CER C1608 JB 1H 472K-T | T | 7.3/37 |
| C27 | 4030006880 | S.CER C1608 JB 1H 472K-T | T | 7.3/34.2 |
| C28 | 4030006880 | S.CER C1608 JB 1H 472K-T | T | 18.2/25.5 |
| C29 | 4030006880 | S.CER C1608 JB 1H 472K-T | T | 4.7/37.7 |
| C30 | 4030006880 | S.CER C1608 JB 1H 472K-T | T | 18.2/26.7 |
| C31 | 4030011600 | S.CER C1608 JB 1E 104K-T | T | 166.2/30.5 |
| C32 | 4030011340 | S.CER C1608 CH 1H 471J-T | T | 3.2/31.4 |
| C33 | 4030006880 | S.CER C1608 JB 1H 472K-T | T | 5.9/16.1 |
| C34 | | | | |

[MAIN UNIT]

| REF NO. | PARTS NO. | DESCRIPTION | M. | H/V LOCATION |
|---------|------------|--------------------------|----|--------------|
| C50 | 4030007120 | S.CER C1608 CH 1H 820J-T | T | 144.3/20.9 |
| C51 | 4030007110 | S.CER C1608 CH 1H 680J-T | T | 146.9/21.6 |
| C52 | 4030007070 | S.CER C1608 CH 1H 330J-T | T | 146.9/23.1 |
| C53 | 4030006860 | S.CER C1608 JB 1E 102K-T | T | 180.7/77.9 |
| C56 | 4030011600 | S.CER C1608 JB 1E 104K-T | T | 4.5/31.3 |
| C57 | 4030011600 | S.CER C1608 JB 1E 104K-T | T | 169.4/75.2 |
| C59 | 4030007130 | S.CER C1608 CH 1H 101J-T | T | 170.6/77.4 |
| C60 | 4030007090 | S.CER C1608 CH 1H 470J-T | T | 17.5/20.7 |
| C61 | 4030011600 | S.CER C1608 JB 1E 104K-T | T | 6/43.3 |
| C62 | 4510009820 | S.ELE EEEFK1C470P | T | 5.3/49.3 |
| C63 | 4030006880 | S.CER C1608 JB 1H 472K-T | T | 164.8/21.3 |
| C64 | 4030011600 | S.CER C1608 JB 1E 104K-T | T | 100.5/20.1 |
| C65 | 4030011600 | S.CER C1608 JB 1E 104K-T | T | 52/72.1 |
| C66 | 4030007130 | S.CER C1608 CH 1H 101J-T | T | 127.5/25 |
| C67 | 4030018620 | S.CER C1608 CH 1H 222J-T | T | 186.9/32.8 |
| C68 | 4030011600 | S.CER C1608 JB 1E 104K-T | T | 98.6/26.3 |
| C69 | 4030007130 | S.CER C1608 CH 1H 101J-T | T | 98.8/15.8 |
| C71 | 4030007090 | S.CER C1608 CH 1H 470J-T | T | 151.2/27.8 |
| C81 | 4030006880 | S.CER C1608 JB 1H 472K-T | T | 155.6/68 |
| C501 | 4030007100 | S.CER C1608 CH 1H 560J-T | T | 157.3/73.6 |
| C502 | 4030006880 | S.CER C1608 JB 1H 472K-T | T | 160.5/75.1 |
| C503 | 4030011600 | S.CER C1608 JB 1E 104K-T | T | 160.5/73.9 |
| C504 | 4030006900 | S.CER C1608 JB 1H 103K-T | T | 156.3/81.4 |
| C505 | 4030006900 | S.CER C1608 JB 1H 103K-T | T | 153.1/77.6 |
| C506 | 4030006900 | S.CER C1608 JB 1H 103K-T | T | 153.1/75.2 |
| C507 | 4030011600 | S.CER C1608 JB 1E 104K-T | T | 157.6/35.7 |
| C508 | 4030011600 | S.CER C1608 JB 1E 104K-T | T | 152.4/35.7 |
| C510 | 4030011600 | S.CER C1608 JB 1E 104K-T | T | 159.9/49 |
| C512 | 4030011600 | S.CER C1608 JB 1E 104K-T | T | 159.7/56.7 |
| C513 | 4030007150 | S.CER C1608 CH 1H 151J-T | T | 154.4/53.3 |
| C514 | 4030011600 | S.CER C1608 JB 1E 104K-T | T | 151.3/25 |
| C515 | 4030007070 | S.CER C1608 CH 1H 330J-T | T | 154.4/56.7 |
| C516 | 4030006880 | S.CER C1608 JB 1H 472K-T | T | 155.7/58 |
| C518 | 4030007100 | S.CER C1608 CH 1H 560J-T | T | 157.3/72.4 |
| C520 | 4030011600 | S.CER C1608 JB 1E 104K-T | T | 154.5/23.2 |
| C521 | 4030006860 | S.CER C1608 JB 1H 102K-T | T | 143.3/42.7 |
| C522 | 4030006880 | S.CER C1608 JB 1H 472K-T | T | 139.2/26.2 |
| C524 | 4030006880 | S.CER C1608 JB 1H 472K-T | T | 144.7/47.3 |
| C525 | 4030006880 | S.CER C1608 JB 1H 472K-T | T | 139.5/55.7 |
| C526 | 4030006880 | S.CER C1608 JB 1H 472K-T | T | 142.1/54.5 |
| C527 | 4030006880 | S.CER C1608 JB 1H 472K-T | T | 146.2/56.3 |
| C528 | 4030006880 | S.CER C1608 JB 1H 472K-T | T | 151.4/55.1 |
| C529 | 4030006880 | S.CER C1608 JB 1H 472K-T | T | 141.6/59.5 |
| C530 | 4030006880 | S.CER C1608 JB 1H 472K-T | T | 145.2/50.2 |
| C531 | 4030006880 | S.CER C1608 JB 1H 472K-T | T | 162.9/54.1 |
| C532 | 4030010000 | S.CER C1608 CH 1H 510J-T | T | 158/61.6 |
| C533 | 4030006880 | S.CER C1608 JB 1H 472K-T | T | 168.2/44.4 |
| C534 | 4030011600 | S.CER C1608 JB 1E 104K-T | T | 143.5/30.4 |
| C535 | 4030010760 | S.CER C1608 CH 1H 331J-T | T | 144/35 |
| C536 | 4030011600 | S.CER C1608 JB 1E 104K-T | T | 147.7/38 |
| C537 | 4030006860 | S.CER C1608 JB 1H 102K-T | T | 147.7/36.7 |
| C538 | 4030006860 | S.CER C1608 JB 1H 102K-T | T | 145.1/41.9 |
| C539 | 4030011600 | S.CER C1608 JB 1E 104K-T | T | 145.1/43.1 |
| C540 | 4030006860 | S.CER C1608 JB 1H 102K-T | T | 142.1/40.7 |
| C541 | 4030006880 | S.CER C1608 JB 1H 472K-T | T | 158.6/63.1 |
| C542 | 4030006980 | S.CER C1608 CH 1H 070D-T | T | 137.9/61.4 |
| C543 | 4030009520 | S.CER C1608 CH 1H 020B-T | T | 134.9/65.3 |
| C544 | 4030009520 | S.CER C1608 CH 1H 020B-T | T | 145.1/64.4 |
| C545 | 4030006880 | S.CER C1608 JB 1H 472K-T | T | 124.6/65.7 |
| C546 | 4030011600 | S.CER C1608 JB 1E 104K-T | T | 140.9/40.7 |
| C547 | 4030007100 | S.CER C1608 CH 1H 560J-T | T | 147.8/41.9 |
| C548 | 4030011600 | S.CER C1608 JB 1E 104K-T | T | 143.3/27.5 |
| C549 | 4030007100 | S.CER C1608 CH 1H 560J-T | T | 147.7/43.1 |
| C550 | 4030011600 | S.CER C1608 JB 1E 104K-T | T | 138.7/38.8 |
| C551 | 4030006880 | S.CER C1608 JB 1H 472K-T | T | 119.9/61.9 |
| C552 | 4030006880 | S.CER C1608 JB 1H 472K-T | T | 125.2/49.7 |
| C553 | 4030006880 | S.CER C1608 JB 1H 472K-T | T | 133.2/58.1 |
| C554 | 4030006860 | S.CER C1608 JB 1H 102K-T | T | 131.3/48.4 |
| C555 | 4030006880 | S.CER C1608 JB 1H 472K-T | T | 137.3/50.6 |
| C556 | 4030008360 | S.CER C1608 UJ 1H 101J-T | T | 135.1/44.7 |
| C557 | 4030006880 | S.CER C1608 JB 1H 472K-T | T | 131.1/47.2 |
| C558 | 4030006880 | S.CER C1608 JB 1H 472K-T | T | 124.8/38.2 |
| C559 | 4030008360 | S.CER C1608 UJ 1H 101J-T | T | 133/53.2 |
| C560 | 4030006880 | S.CER C1608 JB 1H 472K-T | T | 124.8/42.2 |
| C565 | 4030011600 | S.CER C1608 JB 1E 104K-T | T | 148.8/30.1 |
| C566 | 4030011600 | S.CER C1608 JB 1E 104K-T | T | 149.3/27.6 |
| C567 | 4030006880 | S.CER C1608 JB 1H 472K-T | T | 169.4/48.6 |
| C572 | 4030011600 | S.CER C1608 JB 1E 104K-T | T | 120.3/43 |
| C574 | 4030006880 | S.CER C1608 JB 1H 472K-T | T | 118/57.1 |
| C575 | 4030011600 | S.CER C1608 JB 1E 104K-T | T | 94.4/45.1 |
| C576 | 4030011600 | S.CER C1608 JB 1E 104K-T | T | 128.2/35.6 |
| C577 | 4030011600 | S.CER C1608 JB 1E 104K-T | T | 84.2/38.7 |
| C578 | 4030011600 | S.CER C1608 JB 1E 104K-T | T | 111.8/32.3 |
| C581 | 4030007090 | S.CER C1608 CH 1H 470J-T | T | 118.8/28.8 |
| C583 | 4030011600 | S.CER C1608 JB 1E 104K-T | T | 124.7/37 |
| C584 | 4510009820 | S.ELE EEEFK1C470P | T | 128.5/29.9 |
| C585 | 4030011600 | S.CER C1608 JB 1E 104K-T | T | 122.3/28.8 |
| C586 | 4030006880 | S.CER C1608 JB 1H 472K-T | T | 118.5/23 |
| C587 | 4030006880 | S.CER C1608 JB 1H 472K-T | T | 112.6/27.8 |
| C588 | 4030011600 | S.CER C1608 JB 1E 104K-T | T | 115.2/27.8 |
| C589 | 4030011600 | S.CER C1608 JB 1E 104K-T | T | 113.5/34.7 |
| C590 | 4030011600 | S.CER C1608 JB 1E 104K-T | T | 57.7/44.5 |
| C591 | 4030011600 | S.CER C1608 JB 1E 104K-T | T | 108.2/38.5 |
| C594 | 4030011600 | S.CER C1608 JB 1E 104K-T | T | 72.3/41.7 |
| C595 | 4030019490 | S.CER C2012 JB 1A 106K-T | T | 75.5/41.1 |
| C596 | 4030006880 | S.CER C1608 JB 1H 472K-T | T | 81.6/47.9 |
| C597 | 4030017490 | S.CER C1608 JB 1A 105K-T | T | 76.4/45.3 |
| C598 | 4030011600 | S.CER C1608 JB 1E 104K-T | T | 79/45.3 |

[MAIN UNIT]

| REF NO. | PARTS NO. | DESCRIPTION | M. | H/V LOCATION |
|---------|------------|--------------------------|----|--------------|
| C599 | 4030006880 | S.CER C1608 JB 1H 472K-T | T | 74.9/43.3 |
| C600 | 4030006880 | S.CER C1608 JB 1H 472K-T | T | 72.3/43.3 |
| C601 | 4030011600 | S.CER C1608 JB 1E 104K-T | T | 107.6/30.2 |
| C602 | 4030011600 | S.CER C1608 JB 1E 104K-T | T | 96.7/35.7 |
| C603 | 4030007060 | S.CER C1608 CH 1H 270J-T | T | 166.9/57.5 |
| C604 | 4030007040 | S.CER C1608 CH 1H 180J-T | T | 166.9/56.3 |
| C605 | 4030007090 | S.CER C1608 CH 1H 470J-T | T | 168.8/52.5 |
| C607 | 4030007050 | S.CER C1608 CH 1H 220J-T | T | 166.1/48.6 |
| C618 | 4030011600 | S.CER C1608 JB 1E 104K-T | T | 93.3/32.2 |
| C619 | 4030011600 | S.CER C1608 JB 1E 104K-T | T | 90.1/34.5 |
| C620 | 4030011600 | S.CER C1608 JB 1E 104K-T | T | 89.9/27.4 |
| C621 | 4030011600 | S.CER C1608 JB 1E 104K-T | T | 84.7/35.5 |
| C622 | 4030011600 | S.CER C1608 JB 1E 104K-T | T | 84.8/32.1 |
| C623 | 4030019460 | S.CER C1608 JB 0J 106M-T | T | 87.3/28.5 |
| C651 | 4030006880 | S.CER C1608 JB 1H 472K-T | T | 160.4/53.1 |
| C652 | 4030011600 | S.CER C1608 JB 1E 104K-T | T | 88.3/44.4 |
| C653 | 4030006860 | S.CER C1608 JB 1H 102K-T | T | 88.3/48 |
| C654 | 4030007140 | S.CER C1608 CH 1H 121J-T | T | 88.3/50 |
| C655 | 4030011600 | S.CER C1608 JB 1E 104K-T | T | 90/55 |
| C656 | 4030011600 | S.CER C1608 JB 1E 104K-T | T | 98.4/51.3 |
| C657 | 4030019090 | S.CER C2012 JB 1C 225M-T | T | 90.3/57.7 |
| C658 | 4030011600 | S.CER C1608 JB 1E 104K-T | T | 97/45.1 |
| C659 | 4030007140 | S.CER C1608 CH 1H 121J-T | T | 98.4/46.3 |
| C660 | 4030011600 | S.CER C1608 JB 1E 104K-T | T | 95.5/41.5 |
| C661 | 4030006860 | S.CER C1608 JB 1H 102K-T | T | 101.2/40.7 |
| C662 | 4030011600 | S.CER C1608 JB 1E 104K-T | T | 97.9/39.1 |
| C663 | 4030011600 | S.CER C1608 JB 1E 104K-T | T | 92.4/46.8 |
| C664 | 4030011600 | S.CER C1608 JB 1E 104K-T | T | 83.3/41 |
| C665 | 4030011600 | S.CER C1608 JB 1E 104K-T | T | 127.6/23.1 |
| C666 | 4030011600 | S.CER C1608 JB 1E 104K-T | T | 100.5/21.9 |
| C667 | 4030011600 | S.CER C1608 JB 1E 104K-T | T | 70.1/27.3 |
| C669 | 4030006900 | S.CER C1608 JB 1H 103K-T | T | 73.3/32.4 |
| C670 | 4030009880 | S.CER C1608 JB 1H 682K-T | T | 73.3/31.2 |
| C671 | 4030006900 | S.CER C1608 JB 1H 103K-T | T | 72.6/33.6 |
| C672 | 4030006860 | S.CER C1608 JB 1H 102K-T | T | 91.5/53.5 |
| C673 | 4030019460 | S.CER C1608 JB 0J 106M-T | T | 66.9/34.5 |
| C674 | 4030017490 | S.CER C1608 JB 1A 105K-T | T | 66.9/35.7 |
| C675 | 4030019460 | S.CER C1608 JB 0J 106M-T | T | 68.3/40 |
| C676 | 4030017490 | S.CER C1608 JB 1A 105K-T | T | 68.3/38.8 |
| C677 | 4030019460 | S.CER C1608 JB 0J 106M-T | T | 69.7/32.6 |
| C678 | 4030017490 | S.CER C1608 JB 1A 105K-T | T | 72/38.3 |
| C679 | 4030011600 | S.CER C1608 JB 1E 104K-T | T | 82.6/33.3 |
| C680 | 4030017490 | S.CER C1608 JB 1A 105K-T | T | 76/31.2 |
| C681 | 4030006900 | S.CER C1608 JB 1H 103K-T | T | 77/26 |
| C682 | 4030006880 | S.CER C1608 JB 1H 472K-T | T | 175/22.2 |
| C683 | 4030006880 | S.CER C1608 JB 1H 472K-T | T | 129.8/24.4 |
| C684 | 4030006860 | S.CER C1608 JB 1H 102K-T | T | 80.1/26.8 |
| C1021 | 4030019490 | S.CER C2012 JB 1A 106K-T | T | 61.4/47.3 |
| C1022 | 4030011600 | S.CER C1608 JB 1E 104K-T | T | 59.2/49.4 |
| C1023 | 4030017490 | S.CER C1608 JB 1A 105K-T | T | 63.6/46.9 |
| C1024 | 4030017490 | S.CER C1608 JB 1A 105K-T | T | 60.6/38.4 |
| C1025 | 4030019460 | S.CER C1608 JB 0J 106M-T | T | 54.5/51.1 |
| C1031 | 4030019460 | S.CER C1608 JB 0J 106M-T | T | 4.1/83.2 |
| C1032 | 4030019460 | S.CER C1608 JB 0J 106M-T | T | 8.5/74.6 |
| C1033 | 4030017490 | S.CER C1608 JB 1A 105K-T | T | 50.4/43 |
| C1034 | 4030011340 | S.CER C1608 CH 1H 471J-T | T | 51.6/40.6 |
| C1035 | 4030011600 | S.CER C1608 JB 1E 104K-T | T | 56.3/41.2 |
| C1036 | 4030019460 | S.CER C1608 JB 0J 106M-T | T | 165.8/97.3 |
| C1037 | 4030011600 | S.CER C1608 JB 1E 104K-T | T | 104.6/18.7 |
| C1038 | 4030019090 | S.CER C2012 JB 1C 225M-T | T | 107.9/15.9 |
| C1039 | 4030017490 | S.CER C1608 JB 1A 105K-T | T | 108.3/14.4 |
| C1040 | 4030019490 | S.CER C2012 JB 1A 106K-T | T | 103.9/20.5 |
| C1041 | 4030019460 | S.CER C1608 JB 0J 106M-T | T | 2.7/77 |
| C1043 | 4030019460 | S.CER C1608 JB 0J 106M-T | T | 53.5/43 |
| C1051 | 4030018620 | S.CER C1608 CH 1H 222J-T | T | 15.1/77.4 |
| C1053 | 4030011600 | S.CER C1608 JB 1E 104K-T | T | 21.2/80.6 |
| C1054 | 4030011600 | S.CER C1608 JB 1E 104K-T | T | 15.1/81 |
| C1055 | 4030007130 | S.CER C1608 CH 1H 101J-T | T | 45.2/77.4 |
| C1071 | 4030019460 | S.CER C1608 JB 0J 106M-T | T | 159.6/90.3 |
| C1072 | 4030019460 | S.CER C1608 JB 0J 106M-T | T | 9.4/82 |
| C1081 | 4030019460 | S.CER C1608 JB 0J 106M-T | T | 164.2/91.9 |
| C1082 | 4030011600 | S.CER C1608 JB 1E 104K-T | T | 165.8/96.1 |
| C1083 | 4030006860 | S.CER C1608 JB 1H 102K-T | T | 157/93.9 |
| C1085 | 4030011600 | S.CER C1608 JB 1E 104K-T | T | 2.7/78.2 |
| C1086 | 4030011600 | S.CER C1608 JB 1E 104K-T | T | 8.5/77 |
| C1087 | 4030019460 | S.CER C1608 JB 0J 106M-T | T | 2.7/73.8 |
| C1088 | 4030019460 | S.CER C1608 JB 0J 106M-T | | |

[MAIN UNIT]

| REF NO. | PARTS NO. | DESCRIPTION | M. | H/V LOCATION |
|---------|------------|--------------------------|----|--------------|
| C1554 | 4030011600 | S.CER C1608 JB 1E 104K-T | T | 66.2/20.8 |
| C1555 | 4030011600 | S.CER C1608 JB 1E 104K-T | T | 66.2/26.3 |
| C1556 | 4030011600 | S.CER C1608 JB 1E 104K-T | T | 48.5/34 |
| C1557 | 4030011600 | S.CER C1608 JB 1E 104K-T | T | 34.2/26.7 |
| C1558 | 4030011600 | S.CER C1608 JB 1E 104K-T | T | 34.9/18.5 |
| C1559 | 4030011600 | S.CER C1608 JB 1E 104K-T | T | 35.8/11.5 |
| C1560 | 4030011600 | S.CER C1608 JB 1E 104K-T | T | 50.3/3.6 |
| C1561 | 4030011600 | S.CER C1608 JB 1E 104K-T | T | 67/13.1 |
| C1562 | 4030011600 | S.CER C1608 JB 1E 104K-T | T | 65.4/7.3 |
| C1563 | 4030011600 | S.CER C1608 JB 1E 104K-T | T | 54.3/3.8 |
| C1564 | 4030011600 | S.CER C1608 JB 1E 104K-T | T | 48.8/3.6 |
| C1565 | 4030011600 | S.CER C1608 JB 1E 104K-T | T | 40.4/3.2 |
| C1566 | 4030011600 | S.CER C1608 JB 1E 104K-T | T | 34.9/15.9 |
| C1567 | 4030011600 | S.CER C1608 JB 1E 104K-T | T | 35.9/24.3 |
| C1568 | 4030011600 | S.CER C1608 JB 1E 104K-T | T | 35.9/30.4 |
| C1569 | 4030011600 | S.CER C1608 JB 1E 104K-T | T | 44.7/34 |
| C1570 | 4030011600 | S.CER C1608 JB 1E 104K-T | T | 52.1/34 |
| C1571 | 4030011600 | S.CER C1608 JB 1E 104K-T | T | 54.5/34 |
| C1572 | 4030011600 | S.CER C1608 JB 1E 104K-T | T | 58.8/33.3 |
| C1573 | 4030011600 | S.CER C1608 JB 1E 104K-T | T | 65/27.6 |
| C1574 | 4030011600 | S.CER C1608 JB 1E 104K-T | T | 65/19.1 |
| C1575 | 4030011600 | S.CER C1608 JB 1E 104K-T | T | 50.9/34 |
| C1576 | 4030011600 | S.CER C1608 JB 1E 104K-T | T | 61.4/33.3 |
| C1592 | 4030017490 | S.CER C1608 JB 1A 105K-T | T | 78.3/9.9 |
| C1593 | 4030017490 | S.CER C1608 JB 1A 105K-T | T | 78.9/24.3 |
| C1594 | 4030019460 | S.CER C1608 JB 0J 106M-T | T | 76/8.6 |
| C1595 | 4510009820 | S.ELE EEEFK1C470P | T | 78/4.4 |
| C1601 | 4030011600 | S.CER C1608 JB 1E 104K-T | T | 45.9/49.4 |
| C1602 | 4030019490 | S.CER C2012 JB 1A 106K-T | T | 48.8/49.3 |
| C1603 | 4030017490 | S.CER C1608 JB 1A 105K-T | T | 37.2/49.4 |
| C1604 | 4030017490 | S.CER C1608 JB 1A 105K-T | T | 53.7/46.6 |
| C1605 | 4030011600 | S.CER C1608 JB 1E 104K-T | T | 38.7/47.7 |
| C1606 | 4030011600 | S.CER C1608 JB 1E 104K-T | T | 43.3/44.2 |
| C1621 | 4030011600 | S.CER C1608 JB 1E 104K-T | T | 44.3/57.7 |
| C1622 | 4030019490 | S.CER C2012 JB 1A 106K-T | T | 44.4/56.1 |
| C1623 | 4030011600 | S.CER C1608 JB 1E 104K-T | T | 37.2/53.2 |
| C1624 | 4030018580 | S.CER C1608 CH 1H 821J-T | T | 36/58.2 |
| C1625 | 4030018580 | S.CER C1608 CH 1H 821J-T | T | 38.9/59.4 |
| C1626 | 4030011600 | S.CER C1608 JB 1E 104K-T | T | 40.7/53.2 |
| C1627 | 4030018620 | S.CER C1608 CH 1H 222J-T | T | 36/60.6 |
| C1641 | 4030011600 | S.CER C1608 JB 1E 104K-T | T | 55.5/57.8 |
| C1642 | 4030019490 | S.CER C2012 JB 1A 106K-T | T | 55.7/59.4 |
| C1643 | 4030011600 | S.CER C1608 JB 1E 104K-T | T | 47.5/53.2 |
| C1644 | 4030018580 | S.CER C1608 CH 1H 821J-T | T | 47/58.3 |
| C1645 | 4030018580 | S.CER C1608 CH 1H 821J-T | T | 49.8/59.6 |
| C1646 | 4030011600 | S.CER C1608 JB 1E 104K-T | T | 55.2/55 |
| C1647 | 4030018620 | S.CER C1608 CH 1H 222J-T | T | 47/60.9 |
| C1661 | 4030019490 | S.CER C2012 JB 1A 106K-T | T | 29.3/54.4 |
| C1662 | 4030011600 | S.CER C1608 JB 1E 104K-T | T | 30.9/54.5 |
| C1663 | 4030019490 | S.CER C2012 JB 1A 106K-T | T | 24.7/51.6 |
| C1664 | 4030011600 | S.CER C1608 JB 1E 104K-T | T | 29/57.7 |
| C1665 | 4030011600 | S.CER C1608 JB 1E 104K-T | T | 17.9/56.8 |
| C1666 | 4030011600 | S.CER C1608 JB 1E 104K-T | T | 16.7/56.8 |
| C1667 | 4030019490 | S.CER C2012 JB 1A 106K-T | T | 24.7/49 |
| C1668 | 4030011600 | S.CER C1608 JB 1E 104K-T | T | 21.7/48.7 |
| C1681 | 4030011600 | S.CER C1608 JB 1E 104K-T | T | 2.7/54.9 |
| C1691 | 4030011600 | S.CER C1608 JB 1E 104K-T | T | 29.4/24.6 |
| C1692 | 4030019490 | S.CER C2012 JB 1A 106K-T | T | 19.7/92 |
| C1693 | 4030019490 | S.CER C2012 JB 1A 106K-T | T | 10.1/88.9 |
| C1701 | 4030019490 | S.CER C2012 JB 1A 106K-T | T | 11.6/62 |
| C1702 | 4030019490 | S.CER C2012 JB 1A 106K-T | T | 17.8/65.8 |
| C1703 | 4030017800 | S.CER C1608 CH 1H 561J-T | T | 6/66.7 |
| C1704 | 4030007170 | S.CER C1608 CH 1H 221J-T | T | 5.4/70.3 |
| C1705 | 4030017800 | S.CER C1608 CH 1H 561J-T | T | 12.7/64.8 |
| C1706 | 4030007170 | S.CER C1608 CH 1H 221J-T | T | 8.6/67.2 |
| C1707 | 4030007170 | S.CER C1608 CH 1H 221J-T | T | 12.7/68.4 |
| C1708 | 4030007170 | S.CER C1608 CH 1H 221J-T | T | 15.6/67.2 |
| C1709 | 4030017490 | S.CER C1608 JB 1A 105K-T | T | 9.7/73.4 |
| C1710 | 4030017490 | S.CER C1608 JB 1A 105K-T | T | 18.2/71.6 |
| C1711 | 4030011600 | S.CER C1608 JB 1E 104K-T | T | 8.6/68.4 |
| C1712 | 4030019490 | S.CER C2012 JB 1A 106K-T | T | 12.7/73.6 |
| C2011 | 4030007070 | S.CER C1608 CH 1H 330J-T | T | 59.8/78.2 |
| C2012 | 4030006880 | S.CER C1608 JB 1H 472K-T | T | 70.3/82.1 |
| C2013 | 4030006880 | S.CER C1608 JB 1H 102K-T | T | 68.8/78.3 |
| C2014 | 4030006880 | S.CER C1608 JB 1H 472K-T | T | 74.9/77.7 |
| C2015 | 4030006880 | S.CER C1608 JB 1H 472K-T | T | 64.2/76.9 |
| C2016 | 4030006880 | S.CER C1608 JB 1H 472K-T | T | 64.3/83.8 |
| C2017 | 4030006880 | S.CER C1608 JB 1H 102K-T | T | 63.3/82.5 |
| C2021 | 4030006880 | S.CER C1608 JB 1H 472K-T | T | 62.9/61.2 |
| C2022 | 4030007100 | S.CER C1608 CH 1H 560J-T | T | 60.3/61.2 |
| C2023 | 4030007060 | S.CER C1608 CH 1H 270J-T | T | 61.4/60 |
| C2024 | 4030007140 | S.CER C1608 CH 1H 121J-T | T | 58.8/60 |
| C2025 | 4030007100 | S.CER C1608 CH 1H 560J-T | T | 63/56.2 |
| C2026 | 4030007110 | S.CER C1608 CH 1H 680J-T | T | 60.4/56.2 |
| C2040 | 4030007060 | S.CER C1608 CH 1H 270J-T | T | 71.9/71.6 |
| C2041 | 4030006880 | S.CER C1608 JB 1H 472K-T | T | 75.9/70.4 |
| C2042 | 4030011600 | S.CER C1608 JB 1E 104K-T | T | 72.7/67.8 |
| C2043 | 4030006880 | S.CER C1608 JB 1H 472K-T | T | 72/66.6 |
| C2044 | 4030011600 | S.CER C1608 JB 1E 104K-T | T | 72.6/53.8 |
| C2045 | 4030019490 | S.CER C2012 JB 1A 106K-T | T | 70.5/53.2 |
| C2046 | 4030006880 | S.CER C1608 JB 1H 472K-T | T | 72.6/55 |
| C2047 | 4030011600 | S.CER C1608 JB 1E 104K-T | T | 75.2/55 |
| C2048 | 4030019490 | S.CER C2012 JB 1A 106K-T | T | 75.5/53.4 |
| C2049 | 4030011600 | S.CER C1608 JB 1E 104K-T | T | 71.6/60.6 |
| C2050 | 4030009880 | S.CER C1608 JB 1H 682K-T | T | 71.6/59.4 |
| C2051 | 4030009910 | S.CER C1608 CH 1H 040B-T | T | 70.1/58.2 |
| C2052 | 4030009880 | S.CER C1608 JB 1H 682K-T | T | 69/57 |
| C2053 | 4030007090 | S.CER C1608 CH 1H 470J-T | T | 58.9/41.8 |

[MAIN UNIT]

| REF NO. | PARTS NO. | DESCRIPTION | M. | H/V LOCATION |
|---------|------------|--------------------------|----|--------------|
| C2054 | 4030018620 | S.CER C1608 CH 1H 222J-T | T | 69/55.8 |
| C2055 | 4030006880 | S.CER C1608 JB 1H 472K-T | T | 65.7/53.6 |
| C2061 | 4030006990 | S.CER C1608 CH 1H 080D-T | T | 63/69.3 |
| C2070 | 4030006990 | S.CER C1608 CH 1H 070D-T | T | 86.1/77.5 |
| C2071 | 4030007070 | S.CER C1608 CH 1H 330J-T | T | 79/81.3 |
| C2072 | 4030010760 | S.CER C1608 CH 1H 331J-T | T | 80.5/80.1 |
| C2073 | 4030007070 | S.CER C1608 CH 1H 330J-T | T | 81.6/81.3 |
| C2074 | 4030010760 | S.CER C1608 CH 1H 331J-T | T | 83.3/81.3 |
| C2075 | 4030007090 | S.CER C1608 CH 1H 470J-T | T | 84.2/81.3 |
| C2076 | 4030007110 | S.CER C1608 CH 1H 680J-T | T | 86.1/76.3 |
| C2077 | 4030007040 | S.CER C1608 CH 1H 180J-T | T | 87.6/81.3 |
| C2078 | 4030007150 | S.CER C1608 CH 1H 151J-T | T | 87.6/75.1 |
| C2079 | 4030011770 | S.CER C1608 CH 1H 060B-T | T | 85.7/72.8 |
| C2080 | 4030007150 | S.CER C1608 CH 1H 151J-T | T | 83.1/73.4 |
| C2081 | 4030011770 | S.CER C1608 CH 1H 060B-T | T | 87.2/68.1 |
| C2082 | 4030007120 | S.CER C1608 CH 1H 820J-T | T | 83.9/71.7 |
| C2083 | 4030011770 | S.CER C1608 CH 1H 060B-T | T | 85.7/74 |
| C2091 | 4030006860 | S.CER C1608 JB 1H 102K-T | T | 83.1/66.9 |
| C2092 | 4030006860 | S.CER C1608 JB 1H 102K-T | T | 80.1/68.1 |
| C2093 | 4030006860 | S.CER C1608 JB 1H 102K-T | T | 80.1/64.3 |
| C2101 | 4030007080 | S.CER C1608 CH 1H 390J-T | T | 92/61.5 |
| C2102 | 4030009530 | S.CER C1608 CH 1H 030B-T | T | 94.6/62.1 |
| C2103 | 4030007110 | S.CER C1608 CH 1H 680J-T | T | 93.4/60.3 |
| C2104 | 4030006990 | S.CER C1608 CH 1H 070D-T | T | 96.1/60.9 |
| C2105 | 4030007030 | S.CER C1608 CH 1H 150J-T | T | 96.1/59.7 |
| C2131 | 4030011770 | S.CER C1608 CH 1H 060B-T | T | 50.2/64.1 |
| C2132 | 4030007150 | S.CER C1608 CH 1H 151J-T | T | 50.2/65.4 |
| C2133 | 4030009910 | S.CER C1608 CH 1H 040B-T | T | 47.6/64.1 |
| C2134 | 4030007120 | S.CER C1608 CH 1H 820J-T | T | 47.6/65.4 |
| C2135 | 4030009920 | S.CER C1608 CH 1H 050B-T | T | 45/64.1 |
| C2136 | 4030007080 | S.CER C1608 CH 1H 390J-T | T | 45/65.4 |
| C2137 | 4030006990 | S.CER C1608 CH 1H 070D-T | T | 43.5/66.6 |
| C2138 | 4030007050 | S.CER C1608 CH 1H 220J-T | T | 43.5/68 |
| C2139 | 4030009530 | S.CER C1608 CH 1H 030B-T | T | 38.6/66.2 |
| C2140 | 4030007070 | S.CER C1608 CH 1H 330J-T | T | 41.1/70 |
| C2141 | 4030009510 | S.CER C1608 CH 1H 010B-T | T | 38.5/70 |
| C2142 | 4030007080 | S.CER C1608 CH 1H 390J-T | T | 40/71.2 |
| C2143 | 4030009500 | S.CER C1608 CH 1H 0R5B-T | T | 40/72.4 |
| C2144 | 4030007040 | S.CER C1608 CH 1H 180J-T | T | 42.6/71.2 |
| C2145 | 4030011770 | S.CER C1608 CH 1H 060B-T | T | 42.6/72.4 |
| C2151 | 4030006860 | S.CER C1608 JB 1H 102K-T | T | 41.5/75 |
| C2152 | 4030006860 | S.CER C1608 JB 1H 102K-T | T | 43.3/77.2 |
| C2153 | 4030011600 | S.CER C1608 JB 1E 104K-T | T | 42.7/81.5 |
| C2154 | 4030006990 | S.CER C1608 CH 1H 080D-T | T | 43.5/83 |
| C2501 | 4030011600 | S.CER C1608 JB 1E 104K-T | T | 52.4/85.2 |
| C2502 | 4030011600 | S.CER C1608 JB 1E 104K-T | T | 51.3/80.2 |
| C2503 | 4030006880 | S.CER C1608 JB 1H 472K-T | T | 57/78.2 |
| C2504 | 4030011600 | S.CER C1608 JB 1E 104K-T | T | 57/76.9 |
| C2548 | 4030011600 | S.CER C1608 JB 1E 104K-T | T | 42.4/86.1 |
| C2549 | 4030011600 | S.CER C1608 JB 1E 104K-T | T | 43.8/86.1 |
| C2550 | 4030007050 | S.CER C1608 CH 1H 220J-T | T | 45.9/85.7 |
| C2551 | 4030011600 | S.CER C1608 JB 1E 104K-T | T | 46.4/86.9 |
| C2553 | 4030011600 | S.CER C1608 JB 1E 104K-T | T | 36.6/92.4 |
| C2554 | 4030019490 | S.CER C2012 JB 1A 106K-T | T | 51/90.7 |
| C2555 | 4030011600 | S.CER C1608 JB 1E 104K-T | T | 50.8/89.2 |
| C2556 | 4030019460 | S.CER C1608 JB 0J 106M-T | T | 49.3/88 |
| C2557 | 4030011600 | S.CER C1608 JB 1E 104K-T | T | 51.2/94.7 |
| C2558 | 4030006880 | S.CER C1608 JB 1H 472K-T | T | 46.9/99.2 |
| C2559 | 4030019490 | S.CER C2012 JB 1A 106K-T | T | 36.3/90.8 |
| C2560 | 4030007070 | S.CER C1608 CH 1H 330J-T | T | 43/84.2 |
| C2563 | 4030007060 | S.CER C1608 CH 1H 270J-T | T | 65.3/90.3 |
| C2564 | 4030007120 | S.CER C1608 CH 1H 820J-T | T | 65.3/95.6 |
| C2565 | 4030007060 | S.CER C1608 CH 1H 270J-T | T | 67.5/96.3 |
| C2566 | 4030007030 | S.CER C1608 CH 1H 150J-T | T | 65.3/96.8 |
| C2575 | 4030007100 | S.CER C1608 CH 1H 560J-T | T | 80.2/95 |
| C2576 | 4030007070 | S.CER C1608 CH 1H 330J-T | T | 80.2/90.1 |
| C2577 | 4030007150 | S.CER C1608 CH 1H 151J-T | T | 81.7/96.2 |
| C2578 | 4030007100 | S.CER C1608 CH 1H 560J-T | T | 82.4/98.6 |
| C2579 | 4030007040 | S.CER C1608 CH 1H 180J-T | T | 85.1/95 |
| C2580 | 4030007080 | S.CER C1608 CH 1H 390J-T | T | 85.1/93.8 |
| C2581 | 4030007050 | S.CER C1608 CH 1H 220J-T | T | 87.8/93.6 |
| C2582 | 4030007140 | S.CER C1608 CH 1H 121J-T | T | 81.7/97.4 |
| C2594 | 4030007080 | S.CER C1608 CH 1H 390J-T | T | 54.3/89.2 |
| C2595 | 4030011600 | S.CER C1608 JB 1E 104K-T | T | 54.6/96.2 |
| C2596 | 4030006880 | S.CER C1608 JB 1H 472K-T | T | 57.4/97.4 |
| C2597 | 4030006880 | S.CER C1608 JB 1H 472K-T | T | 68.6/98.2 |
| C2598 | | | | |

[MAIN UNIT]

| REF NO. | PARTS NO. | DESCRIPTION | M. | H/V LOCATION |
|---------|------------|--------------------------|----|--------------|
| C2714 | 4030007050 | S.CER C1608 CH 1H 220J-T | T | 149.4/80.1 |
| C2715 | 4030007130 | S.CER C1608 CH 1H 101J-T | T | 98.8/17 |
| C2800 | 4030009530 | S.CER C1608 CH 1H 030B-T | T | 121/98.4 |
| C2801 | 4030010000 | S.CER C1608 CH 1H 510J-T | T | 117.7/99.6 |
| C2802 | 4030007060 | S.CER C1608 CH 1H 270J-T | T | 120.3/99.6 |
| C2803 | 4030007070 | S.CER C1608 CH 1H 330J-T | T | 122.9/99.6 |
| C2804 | 4030006880 | S.CER C1608 JB 1H 472K-T | T | 125.5/99.6 |
| C2805 | 4030018580 | S.CER C1608 CH 1H 821J-T | T | 118.4/98.4 |
| C2806 | 4030011340 | S.CER C1608 CH 1H 471J-T | T | 121.6/97.1 |
| C2807 | 4030007090 | S.CER C1608 CH 1H 470J-T | T | 126.4/94.6 |
| C2808 | 4030006980 | S.CER C1608 CH 1H 070D-T | T | 127/98.4 |
| C2809 | 4030006880 | S.CER C1608 JB 1H 472K-T | T | 138.5/97.2 |
| C2810 | 4030007130 | S.CER C1608 CH 1H 101J-T | T | 129.2/94.8 |
| C2811 | 4030009920 | S.CER C1608 CH 1H 050B-T | T | 128.5/99.6 |
| C2812 | 4030007120 | S.CER C1608 CH 1H 820J-T | T | 131.8/94.8 |
| C2813 | 4030009500 | S.CER C1608 CH 1H 0R5B-T | T | 133.3/97.2 |
| C2814 | 4030007060 | S.CER C1608 CH 1H 270J-T | T | 131.8/96 |
| C2815 | 4030007110 | S.CER C1608 CH 1H 680J-T | T | 134.4/96 |
| C2816 | 4030006880 | S.CER C1608 JB 1H 472K-T | T | 141.8/95.1 |
| C2817 | 4030009530 | S.CER C1608 CH 1H 030B-T | T | 123.6/98.4 |
| C2850 | 4030009530 | S.CER C1608 CH 1H 030B-T | T | 122.3/91.6 |
| C2851 | 4030009500 | S.CER C1608 CH 1H 0R5B-T | T | 133.3/90.4 |
| C2852 | 4030007090 | S.CER C1608 CH 1H 470J-T | T | 118.4/92.8 |
| C2853 | 4030007060 | S.CER C1608 CH 1H 270J-T | T | 121/92.8 |
| C2854 | 4030007060 | S.CER C1608 CH 1H 270J-T | T | 123.6/93 |
| C2855 | 4030006880 | S.CER C1608 JB 1H 472K-T | T | 126.2/93 |
| C2856 | 4030017800 | S.CER C1608 CH 1H 561J-T | T | 118.8/91.6 |
| C2857 | 4030010760 | S.CER C1608 CH 1H 331J-T | T | 121.7/90.4 |
| C2858 | 4030010000 | S.CER C1608 CH 1H 510J-T | T | 125.6/87.8 |
| C2859 | 4030006980 | S.CER C1608 CH 1H 070D-T | T | 127.7/91.6 |
| C2860 | 4030018020 | S.CER C1608 CH 1H 910J-T | T | 129.2/87.8 |
| C2861 | 4030006880 | S.CER C1608 JB 1H 472K-T | T | 138.5/90.4 |
| C2862 | 4030009530 | S.CER C1608 CH 1H 030B-T | T | 131/89 |
| C2863 | 4030018020 | S.CER C1608 CH 1H 910J-T | T | 131.8/87.8 |
| C2865 | 4030006880 | S.CER C1608 JB 1H 472K-T | T | 141.8/88.2 |
| C2866 | 4030007030 | S.CER C1608 CH 1H 150J-T | T | 137/88 |
| C2867 | 4030007150 | S.CER C1608 CH 1H 151J-T | T | 123.6/87.8 |
| C2900 | 4030011770 | S.CER C1608 CH 1H 060B-T | T | 122.3/84.8 |
| C2901 | 4030007070 | S.CER C1608 CH 1H 330J-T | T | 118.4/86 |
| C2902 | 4030010760 | S.CER C1608 CH 1H 331J-T | T | 119.1/84.8 |
| C2903 | 4030009990 | S.CER C1608 CH 1H 200J-T | T | 121/86 |
| C2904 | 4030007170 | S.CER C1608 CH 1H 221J-T | T | 122.3/83.6 |
| C2905 | 4030007040 | S.CER C1608 CH 1H 180J-T | T | 123.6/86 |
| C2906 | 4030006880 | S.CER C1608 JB 1H 472K-T | T | 126.2/86 |
| C2907 | 4030011770 | S.CER C1608 CH 1H 060B-T | T | 127.7/84.8 |
| C2908 | 4030007100 | S.CER C1608 CH 1H 560J-T | T | 125.6/81 |
| C2909 | 4030009530 | S.CER C1608 CH 1H 030B-T | T | 131/82.2 |
| C2910 | 4030009510 | S.CER C1608 CH 1H 010B-T | T | 133.3/83.6 |
| C2911 | 4030006880 | S.CER C1608 JB 1H 472K-T | T | 138.5/83.6 |
| C2912 | 4030007120 | S.CER C1608 CH 1H 820J-T | T | 129.2/81 |
| C2913 | 4030018020 | S.CER C1608 CH 1H 910J-T | T | 131.8/81 |
| C2914 | 4030007100 | S.CER C1608 CH 1H 560J-T | T | 134.4/82.4 |
| C2915 | 4030006880 | S.CER C1608 JB 1H 472K-T | T | 141.7/81.4 |
| C2950 | 4030009530 | S.CER C1608 CH 1H 030B-T | T | 119/78 |
| C2951 | 4030007060 | S.CER C1608 CH 1H 270J-T | T | 118.4/79.2 |
| C2952 | 4030010760 | S.CER C1608 CH 1H 331J-T | T | 118.8/76.8 |
| C2953 | 4030007040 | S.CER C1608 CH 1H 180J-T | T | 121/79.2 |
| C2954 | 4030007170 | S.CER C1608 CH 1H 221J-T | T | 122.3/78 |
| C2955 | 4030009990 | S.CER C1608 CH 1H 200J-T | T | 123.6/79.2 |
| C2956 | 4030006880 | S.CER C1608 JB 1H 472K-T | T | 126.2/79.2 |
| C2957 | 4030007090 | S.CER C1608 CH 1H 470J-T | T | 125.6/73.5 |
| C2958 | 4030009920 | S.CER C1608 CH 1H 050B-T | T | 127.7/78 |
| C2959 | 4030007110 | S.CER C1608 CH 1H 680J-T | T | 129.2/74.2 |
| C2960 | 4030009530 | S.CER C1608 CH 1H 030B-T | T | 131/75.4 |
| C2961 | 4030007110 | S.CER C1608 CH 1H 680J-T | T | 131.8/74.2 |
| C2962 | 4030011770 | S.CER C1608 CH 1H 060B-T | T | 133.3/76.8 |
| C2963 | 4030007090 | S.CER C1608 CH 1H 470J-T | T | 134.4/75.6 |
| C2964 | 4030006880 | S.CER C1608 JB 1H 472K-T | T | 138.6/76.8 |
| C2965 | 4030006880 | S.CER C1608 JB 1H 472K-T | T | 141.7/74.6 |
| C2966 | 4030006880 | S.CER C1608 JB 1H 472K-T | T | 176.7/23.5 |
| C2967 | 4030007130 | S.CER C1608 CH 1H 101J-T | T | 124.9/78 |
| C2968 | 4030006880 | S.CER C1608 JB 1H 472K-T | T | 189.1/10.8 |
| C2969 | 4030006860 | S.CER C1608 JB 1H 102K-T | T | 187.9/9.2 |
| C2970 | 4030007130 | S.CER C1608 CH 1H 101J-T | T | 98.1/72 |
| C2971 | 4030011600 | S.CER C1608 JB 1E 104K-T | T | 97.8/3.7 |
| C2972 | 4030011600 | S.CER C1608 JB 1E 104K-T | T | 103.7/8.4 |
| C2973 | 4030011600 | S.CER C1608 JB 1E 104K-T | T | 94.4/1.8 |
| C2974 | 4030011600 | S.CER C1608 JB 1E 104K-T | T | 92.5/11.7 |
| C2975 | 4030011600 | S.CER C1608 JB 1E 104K-T | T | 95.1/13.3 |
| C2976 | 4030011600 | S.CER C1608 JB 1E 104K-T | T | 92.5/13.4 |
| C2977 | 4030011600 | S.CER C1608 JB 1E 104K-T | T | 101.2/6.3 |
| C2981 | 4030006880 | S.CER C1608 JB 1H 472K-T | T | 169.3/2.2 |
| C2982 | 4030019090 | S.CER C2012 JB 1C 225M-T | T | 148.3/4.1 |
| C2983 | 4030006880 | S.CER C1608 JB 1H 472K-T | T | 146.9/1.8 |
| C2984 | 4030006880 | S.CER C1608 JB 1H 472K-T | T | 140.4/3.3 |
| C2985 | 4030006860 | S.CER C1608 JB 1H 102K-T | T | 123.1/6.3 |
| C2986 | 4030006860 | S.CER C1608 JB 1H 102K-T | T | 130.4/5.1 |
| C2987 | 4030006860 | S.CER C1608 JB 1H 102K-T | T | 135/3.1 |
| C2988 | 4030006860 | S.CER C1608 JB 1H 102K-T | T | 137.8/3.1 |
| C2989 | 4030006880 | S.CER C1608 JB 1H 472K-T | T | 181.8/5.8 |
| C2991 | 4030006880 | S.CER C1608 JB 1H 472K-T | T | 157.4/3.8 |
| C2992 | 4030006880 | S.CER C1608 JB 1H 472K-T | T | 154.8/2.6 |
| C2993 | 4030006880 | S.CER C1608 JB 1H 472K-T | T | 160.3/2.6 |
| C2994 | 4030006880 | S.CER C1608 JB 1H 472K-T | T | 162.9/1.7 |
| C2996 | 4030006880 | S.CER C1608 JB 1H 472K-T | T | 180.4/27.2 |
| C2997 | 4030006880 | S.CER C1608 JB 1H 472K-T | T | 181.6/27.2 |
| C2998 | 4030006880 | S.CER C1608 JB 1H 472K-T | T | 182.8/27.2 |
| C2999 | 4030006880 | S.CER C1608 JB 1H 472K-T | T | 184/27.2 |

[MAIN UNIT]

| REF NO. | PARTS NO. | DESCRIPTION | M. | H/V LOCATION |
|---------|------------|-----------------------------|----|--------------|
| C3000 | 4030006880 | S.CER C1608 JB 1H 472K-T | T | 185.2/27.2 |
| C3001 | 4030006880 | S.CER C1608 JB 1H 472K-T | T | 186.4/27.2 |
| C3002 | 4030006880 | S.CER C1608 JB 1H 472K-T | T | 97/14.6 |
| C3005 | 4030006880 | S.CER C1608 JB 1H 472K-T | T | 179/13.7 |
| C3006 | 4030006880 | S.CER C1608 JB 1H 472K-T | T | 177.1/11.6 |
| C3010 | 4030019490 | S.CER C2012 JB 1A 106K-T | T | 135.9/56 |
| C3011 | 4030019490 | S.CER C2012 JB 1A 106K-T | T | 135.5/40.6 |
| C3026 | 4030006880 | S.CER C1608 JB 1H 472K-T | T | 136.6/54.4 |
| C3027 | 4030006880 | S.CER C1608 JB 1H 472K-T | T | 135.2/42.1 |
| C3201 | 4030011600 | S.CER C1608 JB 1E 104K-T | T | 173.4/59 |
| C3202 | 4030006880 | S.CER C1608 JB 1H 472K-T | T | 171.8/56.6 |
| C3203 | 4030011600 | S.CER C1608 JB 1E 104K-T | T | 174.4/56.6 |
| C3204 | 4030007040 | S.CER C1608 CH 1H 180J-T | T | 175.4/53.1 |
| C3205 | 4030007040 | S.CER C1608 CH 1H 180J-T | T | 181.7/52.8 |
| C3206 | 4030019490 | S.CER C2012 JB 1A 106K-T | T | 175.8/54.7 |
| C3207 | 4030011600 | S.CER C1608 JB 1E 104K-T | T | 184.4/57.5 |
| C3208 | 4030011600 | S.CER C1608 JB 1E 104K-T | T | 182/54 |
| C3209 | 4030011600 | S.CER C1608 JB 1E 104K-T | T | 180.6/66.1 |
| C3210 | 4030006880 | S.CER C1608 JB 1H 472K-T | T | 189.9/59.3 |
| C3214 | 4030011600 | S.CER C1608 JB 1E 104K-T | T | 169.1/63.8 |
| C3215 | 4030019490 | S.CER C2012 JB 1A 106K-T | T | 180.7/45.2 |
| C3216 | 4030019490 | S.CER C2012 JB 1A 106K-T | T | 172.9/45.3 |
| C3217 | 4030019490 | S.CER C2012 JB 1A 106K-T | T | 183.5/37.6 |
| C3218 | 4030007040 | S.CER C1608 CH 1H 180J-T | T | 174/34.4 |
| C3219 | 4030007040 | S.CER C1608 CH 1H 180J-T | T | 179.2/34.4 |
| C3220 | 4030019490 | S.CER C2012 JB 1A 106K-T | T | 183.6/74.7 |
| C3221 | 4030017490 | S.CER C1608 JB 1A 105K-T | T | 182.4/73.2 |
| C3222 | 4030017490 | S.CER C1608 JB 1A 105K-T | T | 180/74.5 |
| C3223 | 4030011600 | S.CER C1608 JB 1E 104K-T | T | 169.7/67.2 |
| C3224 | 4030011600 | S.CER C1608 JB 1E 104K-T | T | 182.2/46.7 |
| C3225 | 4030019490 | S.CER C1608 JB 0J 106M-T | T | 169.5/40.4 |
| C3226 | 4030019490 | S.CER C2012 JB 1A 106K-T | T | 176.2/45.3 |
| C3227 | 4030011600 | S.CER C1608 JB 1E 104K-T | T | 175.9/46.9 |
| C3228 | 4030019460 | S.CER C1608 JB 0J 106M-T | T | 171.4/36.3 |
| C3229 | 4030011600 | S.CER C1608 JB 1E 104K-T | T | 185.6/38 |
| C3230 | 4030019490 | S.CER C2012 JB 1A 106K-T | T | 173.5/65 |
| C3231 | 4030007090 | S.CER C1608 CH 1H 470J-T | T | 82.8/27.6 |
| C3232 | 4030007090 | S.CER C1608 CH 1H 470J-T | T | 18.8/9.3 |
| C3233 | 4030007090 | S.CER C1608 CH 1H 470J-T | T | 17.7/10.7 |
| C3234 | 4030007090 | S.CER C1608 CH 1H 470J-T | T | 17.7/12.1 |
| C3235 | 4030007090 | S.CER C1608 CH 1H 470J-T | T | 17.7/13.5 |
| C3236 | 4030007090 | S.CER C1608 CH 1H 470J-T | T | 17.7/14.7 |
| C3237 | 4030007150 | S.CER C1608 CH 1H 151J-T | T | 118/45.4 |
| C3238 | 4030007150 | S.CER C1608 CH 1H 151J-T | T | 118/44.2 |
| C3239 | 4030007150 | S.CER C1608 CH 1H 151J-T | T | 120.3/47.5 |
| C3240 | 4030007150 | S.CER C1608 CH 1H 151J-T | T | 120.3/48.7 |
| C3241 | 4030006880 | S.CER C1608 JB 1H 472K-T | T | 96.6/67.9 |
| C3242 | 4030018970 | S.CER C3225 JB 1C 226MT-N | T | 30.5/97.5 |
| C3243 | 4030011600 | S.CER C1608 JB 1E 104K-T | T | 26.5/99.7 |
| C3244 | 4030011600 | S.CER C1608 JB 1E 104K-T | T | 23.4/99.7 |
| C3245 | 4030018970 | S.CER C3225 JB 1C 226MT-N | T | 19.4/97.6 |
| C3246 | 4030019090 | S.CER C2012 JB 1C 225M-T | T | 21.4/101.3 |
| C3247 | 4030019090 | S.CER C2012 JB 1C 225M-T | T | 28.6/101.3 |
| C3248 | 4030006980 | S.CER C1608 CH 1H 070D-T | T | 131.8/73 |
| C3249 | 4030006880 | S.CER C1608 JB 1H 472K-T | T | 20.4/2.3 |
| C3250 | 4030007150 | S.CER C1608 CH 1H 151J-T | T | 165.5/65.3 |
| C3254 | 4030019460 | S.CER C1608 JB 0J 106M-T | T | 184.4/56.3 |
| C3255 | 4030007090 | S.CER C1608 CH 1H 470J-T | T | 141.4/14.3 |
| J1 | 6510024151 | S.CON 50FY-BMT-TB(LF)(SN) | T | 14.1/28.7 |
| J2 | 6510024151 | S.CON 50FY-BMT-TB(LF)(SN) | T | 25.3/28.7 |
| J4 | 6510024151 | S.CON 50FY-BMT-TB(LF)(SN) | T | 172.7/17.9 |
| J5 | 6510024151 | S.CON 50FY-BMT-TB(LF)(SN) | T | 132.9/9.4 |
| J6 | 6510024151 | S.CON 50FY-BMT-TB(LF)(SN) | T | 163.1/9.4 |
| J7 | 6510007020 | CON TMP-J01X-V6 | T | |
| J8 | 6450000140 | CON HSJ0807-01-010 | T | |
| J9 | 6450000140 | CON HSJ0807-01-010 | T | |
| J11 | 6510019971 | S.CON 52808-1071 | T | 89/6.7 |
| J1531 | 6510025840 | S.CON AXN316C038P | T | 38.3/38.3 |
| J3201 | 6510026540 | CON UBB-4R-D14-T4D(LF)(SN) | T | |
| J3203 | 6510014961 | S.CON B2B-ZR-SM4-TF(LF)(SN) | T | 161.9/82.8 |
| EP1 | 6910018930 | S.BEA MPZ2012S601A | T | 192.3/86.5 |
| EP2 | 6910012350 | S.BEA MMZ1608Y 102BT | T | 186.4/71.8 |
| EP3 | 6910012350 | S.BEA MMZ1608Y 102BT | T | 192.8/73 |
| EP5 | 6910012350 | S.BEA MMZ1608Y 102BT | T | 195.3/86.6 |
| EP6 | 6910012350 | S.BEA MMZ1608Y 102BT | T | 195.3/87.8 |
| EP7 | 6910012350 | S.BEA MMZ1608Y 102BT | T | 183.2/80.8 |
| EP8 | | | | |

[MAIN UNIT]

| REF NO. | PARTS NO. | DESCRIPTION | M. | H/V LOCATION |
|---------|------------|----------------------|----|--------------|
| EP1551 | 6910012350 | S.BEA MMZ1608Y 102BT | T | 43.5/34 |
| EP2091 | 6910012350 | S.BEA MMZ1608Y 102BT | T | 80.1/69.4 |
| EP2151 | 6910012350 | S.BEA MMZ1608Y 102BT | T | 45.2/77.9 |
| EP2501 | 6910012350 | S.BEA MMZ1608Y 102BT | T | 57/81.9 |
| EP2502 | 6910012350 | S.BEA MMZ1608Y 102BT | T | 38.2/80.3 |
| EP2541 | 6910012350 | S.BEA MMZ1608Y 102BT | T | 37.9/84.6 |
| EP2542 | 6910012350 | S.BEA MMZ1608Y 102BT | T | 36/85 |
| EP2544 | 6910012350 | S.BEA MMZ1608Y 102BT | T | 37.9/85.8 |
| EP2561 | 6910002161 | CAS CASE-BM7H-LF | | |
| EP2566 | 6910002161 | CAS CASE-BM7H-LF | | |
| EP2601 | 6910012350 | S.BEA MMZ1608Y 102BT | T | 99.8/90.4 |
| EP2602 | 6910019200 | S.BEA N2012ZPS121T50 | T | 171.1/22.1 |
| EP2603 | 6910012350 | S.BEA MMZ1608Y 102BT | T | 178/23.5 |
| EP2605 | 6910018930 | S.BEA MPZ2012S601A | T | 133.4/5.1 |
| EP2607 | 6910018930 | S.BEA MPZ2012S601A | T | 140.1/5.1 |
| EP2608 | 6910018930 | S.BEA MPZ2012S601A | T | 8.7/27.6 |
| EP2609 | 6910012350 | S.BEA MMZ1608Y 102BT | T | 9/26 |
| EP2610 | 6910018930 | S.BEA MPZ2012S601A | T | 8.9/29.6 |
| EP2611 | 6910019200 | S.BEA N2012ZPS121T50 | T | 126.9/6.1 |
| EP2612 | 6910018930 | S.BEA MPZ2012S601A | T | 8.8/22.6 |
| EP2613 | 6910018930 | S.BEA MPZ2012S601A | T | 165.1/86.3 |
| EP2614 | 6910018930 | S.BEA MPZ2012S601A | T | 159.6/86.7 |
| EP2615 | 6910018930 | S.BEA MPZ2012S601A | T | 9.7/24.4 |
| EP2618 | 6910012350 | S.BEA MMZ1608Y 102BT | T | 169.3/3.4 |
| EP2619 | 6910012350 | S.BEA MMZ1608Y 102BT | T | 181/15.7 |
| EP2620 | 6910012350 | S.BEA MMZ1608Y 102BT | T | 177.1/15.6 |
| EP2621 | 6910012350 | S.BEA MMZ1608Y 102BT | T | 184.4/5.8 |
| EP2622 | 6910018930 | S.BEA MPZ2012S601A | T | 171.8/12.8 |
| EP2627 | 6910012350 | S.BEA MMZ1608Y 102BT | T | 162.9/2.9 |
| EP2628 | 6910012350 | S.BEA MMZ1608Y 102BT | T | 160.3/3.8 |
| EP2629 | 6910012350 | S.BEA MMZ1608Y 102BT | T | 157.4/2.6 |
| EP2630 | 6910012350 | S.BEA MMZ1608Y 102BT | T | 157.4/5 |
| EP2633 | 6910012350 | S.BEA MMZ1608Y 102BT | T | 185.2/23.5 |
| EP2634 | 6910012350 | S.BEA MMZ1608Y 102BT | T | 184/23.5 |
| EP2635 | 6910012350 | S.BEA MMZ1608Y 102BT | T | 182.8/23.5 |
| EP2636 | 6910012350 | S.BEA MMZ1608Y 102BT | T | 181.6/23.5 |
| EP2637 | 6910012350 | S.BEA MMZ1608Y 102BT | T | 180.4/23.5 |
| EP2638 | 6910012350 | S.BEA MMZ1608Y 102BT | T | 186.4/23.5 |
| EP2641 | 6910012350 | S.BEA MMZ1608Y 102BT | T | 132.9/56 |
| EP2642 | 6910012350 | S.BEA MMZ1608Y 102BT | T | 137.7/44 |
| EP2643 | 6910012350 | S.BEA MMZ1608Y 102BT | T | 24.1/79.2 |
| EP2646 | 6910018930 | S.BEA MPZ2012S601A | T | 8.9/31.3 |
| EP2970 | 6910012350 | S.BEA MMZ1608Y 102BT | T | 93.5/67.6 |
| EP2971 | 6910012350 | S.BEA MMZ1608Y 102BT | T | 92.5/10.5 |
| EP2972 | 6910012350 | S.BEA MMZ1608Y 102BT | T | 96.1/11.5 |
| EP3201 | 6910012350 | S.BEA MMZ1608Y 102BT | T | 185.2/60.5 |
| EP3202 | 6910012350 | S.BEA MMZ1608Y 102BT | T | 183.7/44.9 |
| EP3203 | 6910012350 | S.BEA MMZ1608Y 102BT | T | 182.4/72 |
| EP3204 | 6910012350 | S.BEA MMZ1608Y 102BT | T | 179.5/75.7 |
| EP3205 | 6910012350 | S.BEA MMZ1608Y 102BT | T | 185.6/36.8 |
| EP3206 | 6910012350 | S.BEA MMZ1608Y 102BT | T | 184.2/48.2 |
| EP3207 | 6910012350 | S.BEA MMZ1608Y 102BT | T | 190.3/53.5 |
| EP3208 | 6910012350 | S.BEA MMZ1608Y 102BT | T | 172.2/75.2 |
| EP3241 | 6910012350 | S.BEA MMZ1608Y 102BT | T | 166.7/35.7 |
| EP3242 | 6910012350 | S.BEA MMZ1608Y 102BT | T | 165.5/33.1 |

[RF UNIT]

| REF NO. | PARTS NO. | DESCRIPTION | M. | H/V LOCATION |
|---------|------------|--------------------------|----|--------------|
| IC141 | 1130011760 | S.IC CD4094BPWR | T | 13.7/15.8 |
| IC142 | 1130011760 | S.IC CD4094BPWR | T | 14.1/29.6 |
| IC181 | 1110006870 | S.IC UPC2709TB-E3 | T | 57.8/60.4 |
| IC462 | 1110004050 | S.IC NJM3404AV-TE1-#FMZB | T | 4.8/37.8 |
| IC463 | 1110004050 | S.IC NJM3404AV-TE1-#FMZB | T | 14.6/47.8 |
| IC464 | 1110004050 | S.IC NJM3404AV-TE1-#FMZB | T | 6/14.4 |
| Q12 | 1590000680 | S.TRA DTC114EUA T106 | T | 55.4/16.5 |
| Q141 | 1590001960 | S.TRA XP4311(TX) | T | 19.7/54.9 |
| Q142 | 1590001960 | S.TRA XP4311(TX) | T | 19.9/48.7 |
| Q143 | 1590001960 | S.TRA XP4311(TX) | T | 19.8/42.3 |
| Q144 | 1590001960 | S.TRA XP4311(TX) | T | 18.3/36 |
| Q145 | 1590001960 | S.TRA XP4311(TX) | T | 20/30.4 |
| Q146 | 1590001960 | S.TRA XP4311(TX) | T | 19.6/24.7 |
| Q147 | 1590001960 | S.TRA XP4311(TX) | T | 19/19.5 |
| Q148 | 1590001960 | S.TRA XP4311(TX) | T | 19.1/13.4 |
| Q155 | 1590001960 | S.TRA XP4311(TX) | T | 60.6/28.6 |
| Q156 | 1590001960 | S.TRA XP4311(TX) | T | 19.8/60 |
| Q157 | 1590001960 | S.TRA XP4311(TX) | T | 21.3/64.2 |
| Q161 | 1530003091 | S.TRA 2SC4213-B(TE85R,F) | T | 57.2/43.6 |
| Q380 | 1530003852 | S.TRA 2SC5551A-F-E | T | 41.6/70.9 |
| Q441 | 1530003852 | S.TRA 2SC5551A-F-E | T | 7.5/64.2 |
| Q442 | 1590001960 | S.TRA XP4311(TX) | T | 6.7/55.2 |
| Q443 | 1590001960 | S.TRA XP4311(TX) | T | 9.3/55 |
| Q461 | 1510000510 | S.TRA 2SA1576A T106R | T | 4.6/26 |
| Q462 | 1590001050 | S.TRA DTC114TUA T106 | T | 10.6/47.5 |
| Q463 | 1590000680 | S.TRA DTC114EUA T106 | T | 10.3/40.9 |
| Q464 | 1590000720 | S.TRA DTA144EUA T106 | T | 8.8/45.9 |
| Q480 | 1530003091 | S.TRA 2SC4213-B(TE85R,F) | T | 2.3/23.2 |
| Q501 | 1540000550 | S.TRA 2SD1664 T100Q | T | 55.3/84.8 |
| Q503 | 1590001960 | S.TRA XP4311(TX) | T | 63.4/44.7 |
| D1 | 1790000971 | S.DIO MA2J7290GL | T | 68.6/8.4 |
| D2 | 1790000971 | S.DIO MA2J7290GL | T | 70.5/8.4 |
| D3 | 1790001250 | S.DIO MA2S111-(TX) 0 | T | 50.4/16.9 |
| D141 | 1790001250 | S.DIO MA2S111-(TX) 0 | T | 13.7/21.2 |
| D142 | 1790001250 | S.DIO MA2S111-(TX) 0 | T | 12.5/21.2 |
| D143 | 1790001250 | S.DIO MA2S111-(TX) 0 | T | 14.3/10.7 |
| D144 | 1790001250 | S.DIO MA2S111-(TX) 0 | T | 13.1/10.7 |
| D145 | 1790001250 | S.DIO MA2S111-(TX) 0 | T | 15.2/24.4 |
| D146 | 1790001250 | S.DIO MA2S111-(TX) 0 | T | 14/24.4 |
| D164 | 1790001621 | S.DIO 1SV308(TPL3,F) | T | 52.2/31.7 |
| D165 | 1790001621 | S.DIO 1SV308(TPL3,F) | T | 57.4/35.6 |
| D167 | 1790001621 | S.DIO 1SV308(TPL3,F) | T | 55/48.8 |
| D168 | 1790001621 | S.DIO 1SV308(TPL3,F) | T | 55.3/43.9 |
| D181 | 1790001250 | S.DIO MA2S111-(TX) 0 | T | 56.8/56.6 |
| D182 | 1790001250 | S.DIO MA2S111-(TX) 0 | T | 56.6/55.4 |
| D201 | 1790001621 | S.DIO 1SV308(TPL3,F) | T | 53.3/44.4 |
| D221 | 1790001621 | S.DIO 1SV308(TPL3,F) | T | 22.8/13.1 |
| D222 | 1790001621 | S.DIO 1SV308(TPL3,F) | T | 37.8/15 |
| D241 | 1790001621 | S.DIO 1SV308(TPL3,F) | T | 22.8/22.1 |
| D242 | 1790001621 | S.DIO 1SV308(TPL3,F) | T | 39.1/21.8 |
| D261 | 1790001621 | S.DIO 1SV308(TPL3,F) | T | 34.2/27.9 |
| D262 | 1790001621 | S.DIO 1SV308(TPL3,F) | T | 22.9/27.1 |
| D281 | 1790001621 | S.DIO 1SV308(TPL3,F) | T | 41/34 |
| D282 | 1790001621 | S.DIO 1SV308(TPL3,F) | T | 23/33.7 |
| D301 | 1790001621 | S.DIO 1SV308(TPL3,F) | T | 41/40.1 |
| D302 | 1790001621 | S.DIO 1SV308(TPL3,F) | T | 23/39.8 |
| D321 | 1790001621 | S.DIO 1SV308(TPL3,F) | T | 40.9/46.2 |
| D322 | 1790001621 | S.DIO 1SV308(TPL3,F) | T | 23/45.9 |
| D341 | 1790001621 | S.DIO 1SV308(TPL3,F) | T | 40.9/52.3 |
| D342 | 1790001621 | S.DIO 1SV308(TPL3,F) | T | 23/52 |
| D361 | 1790001621 | S.DIO 1SV308(TPL3,F) | T | 44.3/57.1 |
| D362 | 1790001621 | S.DIO 1SV308(TPL3,F) | T | 23/58.1 |
| D381 | 1790001621 | S.DIO 1SV308(TPL3,F) | T | 27.6/70.4 |
| D382 | 1790001621 | S.DIO 1SV308(TPL3,F) | T | 49.3/65.3 |
| D401 | 1790001621 | S.DIO 1SV308(TPL3,F) | T | 49.3/64.1 |
| D402 | 1790001621 | S.DIO 1SV308(TPL3,F) | T | 26.3/61 |
| D441 | 1790001621 | S.DIO 1SV308(TPL3,F) | T | 14.1/63.7 |
| D442 | 1790001621 | S.DIO 1SV308(TPL3,F) | T | 17.3/72.6 |
| D443 | 1790001621 | S.DIO 1SV308(TPL3,F) | T | 14.1/64.9 |
| D444 | 1790001621 | S.DIO 1SV308(TPL3,F) | T | 14.8/72.6 |
| D461 | 1790001250 | S.DIO MA2S111-(TX) 0 | T | 8.6/43.2 |
| D462 | 1790001250 | S.DIO MA2S111-(TX) 0 | T | 8.5/30.4 |
| D463 | 1790001250 | S.DIO MA2S111-(TX) 0 | T | 10.4/44.2 |
| D464 | 1790001250 | S.DIO MA2S111-(TX) 0 | T | 7.5/51 |
| D465 | 1790001240 | S.DIO MA2S728-(TX) 0 | T | 9.7/37.2 |
| D471 | 1790001240 | S.DIO MA2S728-(TX) 0 | T | 13.4/40.6 |
| D491 | 1790001240 | S.DIO MA2S728-(TX) 0 | T | 16.4/42.1 |
| D494 | 1790001250 | S.DIO MA2S111-(TX) 0 | T | 7.3/22.8 |
| D495 | 1790001250 | S.DIO MA2S111-(TX) 0 | T | 7.3/24 |
| D501 | 1790001250 | S.DIO MA2S111-(TX) 0 | T | 66.8/43.4 |
| D502 | 1790001330 | S.ZEN MA8036-L(TX) 0 | T | 10.2/25.7 |
| D503 | 1790001250 | S.DIO MA2S111-(TX) 0 | T | 8.3/26.4 |
| D504 | 1790001250 | S.DIO MA2S111-(TX) 0 | T | 8.3/25.2 |
| D505 | 1790001621 | S.DIO 1SV308(TPL3,F) | T | 55.8/41.5 |
| L1 | 6140004721 | COI LR-532A | T | 66.4/12.9 |
| L2 | 6200002041 | S.COI NLV25T-101J | T | 72.7/12.9 |
| L3 | 6200002041 | S.COI NLV25T-101J | T | 50.7/18.8 |
| L4 | 6200002041 | S.COI NLV25T-101J | T | 48.1/23.2 |
| L161 | 6200011410 | S.COI C2520C-82NG-A | T | 51.6/26.7 |
| L163 | 6200002041 | S.COI NLV25T-101J | T | 58.2/46.8 |
| L167 | 6200002041 | S.COI NLV25T-101J | T | 57.4/49.6 |
| L168 | 6200002041 | S.COI NLV25T-101J | T | 57.4/49.6 |

M.=Mounted side (T: Mounted on the Top side, B: Mounted on the Bottom side)
S.=Surface mount

[RF UNIT]

| REF NO. | PARTS NO. | DESCRIPTION | M. | H/V LOCATION |
|---------|------------|-----------------------------|----|--------------|
| L169 | 6200010660 | S.COI C2520C-R15G-A (0.15U) | T | 44.8/18.3 |
| L170 | 6200002041 | S.COI NLV25T-101J | T | 55.7/27.8 |
| L181 | 6200005011 | S.COI NLV25T-100J | T | 60.4/59.3 |
| L183 | 6200005011 | S.COI NLV25T-100J | T | 44.8/78.6 |
| L201 | 6200005491 | S.COI NLV32T-331J | T | 52.6/48.6 |
| L202 | 6200002961 | S.COI NLV32T-4R7J | T | 49.1/47.9 |
| L203 | 6200003321 | S.COI NLV32T-3R3J | T | 45.7/49.8 |
| L204 | 6200003261 | S.COI NLV32T-101J | T | 51.1/42.2 |
| L205 | 6200003261 | S.COI NLV32T-101J | T | 45.9/42.2 |
| L221 | 6200001851 | S.COI NLV32T-5R6J | T | 29.5/13.6 |
| L222 | 6200003111 | S.COI NLV32T-6R8J | T | 25.9/14.6 |
| L241 | 6200002041 | S.COI NLV25T-101J | T | 39.4/19.9 |
| L242 | 6200003091 | S.COI NLV32T-2R7J | T | 35/20.8 |
| L243 | 6200003101 | S.COI NLV32T-3R9J | T | 31.6/21.4 |
| L244 | 6200002961 | S.COI NLV32T-4R7J | T | 28.2/19.5 |
| L245 | 6200001851 | S.COI NLV32T-5R6J | T | 24.5/19.9 |
| L261 | 6200002041 | S.COI NLV25T-101J | T | 34.2/26 |
| L262 | 6200002991 | S.COI NLV32T-2R2J | T | 31.1/26.3 |
| L263 | 6200002991 | S.COI NLV32T-2R2J | T | 26.2/27.1 |
| L281 | 6200002041 | S.COI NLV25T-101J | T | 40.3/31.8 |
| L282 | 6200003051 | S.COI NLV32T-R82J | T | 37.2/32.9 |
| L283 | 6200003061 | S.COI NLV32T-1R2J | T | 32.4/32.3 |
| L284 | 6200003081 | S.COI NLV32T-1R8J | T | 29/30.4 |
| L285 | 6200003071 | S.COI NLV32T-1R5J | T | 25.6/32.3 |
| L291 | 6200011410 | S.COI C2520C-82NG-A | T | 21.1/36.7 |
| L301 | 6200002041 | S.COI NLV25T-101J | T | 40.3/37.9 |
| L302 | 6200003061 | S.COI NLV32T-1R2J | T | 37.2/39 |
| L303 | 6200003331 | S.COI NLV32T-1R0J | T | 32.4/38.4 |
| L304 | 6200003051 | S.COI NLV32T-R82J | T | 29/36.5 |
| L305 | 6200003061 | S.COI NLV32T-1R2J | T | 25.6/38.4 |
| L321 | 6200002041 | S.COI NLV25T-101J | T | 40.3/44 |
| L322 | 6200003031 | S.COI NLV32T-R47J | T | 37.2/45.1 |
| L323 | 6200002981 | S.COI NLV32T-R56J | T | 32.4/44.5 |
| L324 | 6200003041 | S.COI NLV32T-R68J | T | 29/42.6 |
| L325 | 6200003051 | S.COI NLV32T-R82J | T | 25.6/44.5 |
| L341 | 6200002041 | S.COI NLV25T-101J | T | 40.3/50.1 |
| L342 | 6200003251 | S.COI NLV32T-R39J | T | 37.2/51.2 |
| L343 | 6200003251 | S.COI NLV32T-R39J | T | 32.4/50.6 |
| L344 | 6200003031 | S.COI NLV32T-R47J | T | 29/48.7 |
| L345 | 6200002981 | S.COI NLV32T-R56J | T | 25.6/50.6 |
| L361 | 6200002041 | S.COI NLV25T-101J | T | 40.6/56.4 |
| L362 | 6200010740 | S.COI C2520C-R27G-A | T | 37.3/57.3 |
| L363 | 6200010740 | S.COI C2520C-R27G-A | T | 32.4/56.7 |
| L364 | 6200010870 | S.COI C2520C-R33G-A (0.33U) | T | 29/54.8 |
| L365 | 6200011450 | S.COI C2520C-R39G-A | T | 25.6/56.7 |
| L381 | 6200003001 | S.COI NLV32T-R22J | T | 45.6/68.3 |
| L382 | 6200003251 | S.COI NLV32T-R39J | T | 49.9/67.5 |
| L383 | 6200005011 | S.COI NLV25T-100J | T | 30.7/72.9 |
| L384 | 6200002041 | S.COI NLV25T-101J | T | 40.1/66.5 |
| L385 | 6140004601 | S.COI LR-518A | T | 35.5/71 |
| L386 | 6200002041 | S.COI NLV25T-101J | T | 27.8/68.5 |
| L401 | 6200003011 | S.COI NLV32T-R27J | T | 43.8/62 |
| L402 | 6200003421 | S.COI NLV32T-R15J | T | 47.2/61 |
| L403 | 6180002961 | S.COI NLV32T-R18J | T | 40.4/61.6 |
| L404 | 6200003421 | S.COI NLV32T-R15J | T | 37/63.6 |
| L405 | 6200001471 | S.COI NLV32T-R12J | T | 32/65.1 |
| L406 | 6200001471 | S.COI NLV32T-R12J | T | 27.1/63.8 |
| L421 | 6200005491 | S.COI NLV32T-331J | T | 24.3/8.5 |
| L441 | 6200002041 | S.COI NLV25T-101J | T | 18.3/63.4 |
| L442 | 6200002041 | S.COI NLV25T-101J | T | 11.5/64.4 |
| L443 | 6200002041 | S.COI NLV25T-101J | T | 14.1/66.8 |
| L444 | 6140004591 | S.COI LR-517A | T | 6.6/71.7 |
| L445 | 6200002041 | S.COI NLV25T-101J | T | 11.2/70.4 |
| L446 | 6200002041 | S.COI NLV25T-101J | T | 11.2/74 |
| L447 | 6200002041 | S.COI NLV25T-101J | T | 14.5/61.1 |
| L448 | 6200002041 | S.COI NLV25T-101J | T | 20.1/74.8 |
| L449 | 6200010650 | S.COI C2520C-R12G-A (0.12U) | T | 8.3/76.8 |
| L450 | 6200010660 | S.COI C2520C-R15G-A (0.15U) | T | 19.1/69.9 |
| L501 | 6200005011 | S.COI NLV25T-100J | T | 63.2/40.3 |
| L502 | 6200005011 | S.COI NLV25T-100J | T | 65.6/75.4 |
| L505 | 6200005011 | S.COI NLV25T-100J | T | 65.5/71 |
| L506 | 6200005011 | S.COI NLV25T-100J | T | 61.2/68.3 |
| L507 | 6200002041 | S.COI NLV25T-101J | T | 78/91.8 |
| L508 | 6200005011 | S.COI NLV25T-100J | T | 73.1/91.7 |
| L509 | 6200005011 | S.COI NLV25T-100J | T | 69.5/92.2 |
| L510 | 6200002041 | S.COI NLV25T-101J | T | 66.2/89.7 |
| L511 | 6200002041 | S.COI NLV25T-101J | T | 65.8/81.9 |
| L512 | 6200002041 | S.COI NLV25T-101J | T | 56.3/38.3 |
| R1 | 7540000250 | ABS SA05C 401N | | |
| R2 | 7030003590 | S.RES ERJ3GEYJ 183 V (18K) | T | 79.6/14.9 |
| R3 | 7030008190 | S.RES ERJ12YJ330U (33) | T | 69.5/5 |
| R4 | 7030003560 | S.RES ERJ3GEYJ 103 V (10K) | T | 66.1/8.6 |
| R5 | 7030003560 | S.RES ERJ3GEYJ 103 V (10K) | T | 72.9/8.6 |
| R6 | 7030003860 | S.RES ERJ3GE JPW V | T | 66.1/11 |
| R7 | 7030003860 | S.RES ERJ3GE JPW V | T | 72.9/11 |
| R8 | 7030003640 | S.RES ERJ3GEYJ 473 V (47K) | T | 68.6/11.8 |
| R9 | 7030003640 | S.RES ERJ3GEYJ 473 V (47K) | T | 70.5/11.8 |
| R10 | 7030003580 | S.RES ERJ3GEYJ 153 V (15K) | T | 79.6/17.5 |
| R161 | 7030003560 | S.RES ERJ3GEYJ 103 V (10K) | T | 57.3/40.2 |
| R163 | 7030003400 | S.RES ERJ3GEYJ 471 V (470) | T | 50.6/29.1 |
| R164 | 7030003290 | S.RES ERJ3GEYJ 560 V (56) | T | 56/35.7 |
| R165 | 7030003400 | S.RES ERJ3GEYJ 471 V (470) | T | 57.4/33 |
| R166 | 7030003440 | S.RES ERJ3GEYJ 102 V (1K) | T | 55.7/47 |
| R167 | 7030003400 | S.RES ERJ3GEYJ 471 V (470) | T | 56.1/33 |
| R168 | 7030003400 | S.RES ERJ3GEYJ 471 V (470) | T | 54.8/33 |
| R169 | 7030003680 | S.RES ERJ3GEYJ 104 V (100K) | T | 58.9/26.5 |
| R181 | 7030003370 | S.RES ERJ3GEYJ 271 V (270) | T | 54.1/66 |
| R182 | 7030003230 | S.RES ERJ3GEYJ 180 V (18) | T | 56.7/66 |
| R183 | 7030003370 | S.RES ERJ3GEYJ 271 V (270) | T | 56.7/63.5 |
| R184 | 7030003220 | S.RES ERJ3GEYJ 150 V (15) | T | 61/56.1 |
| R185 | 7030003370 | S.RES ERJ3GEYJ 271 V (270) | T | 56.6/54 |
| R186 | 7030003230 | S.RES ERJ3GEYJ 180 V (18) | T | 56.6/52.7 |
| R187 | 7030003370 | S.RES ERJ3GEYJ 271 V (270) | T | 59.6/52.7 |
| R189 | 7030000010 | S.RES MCR10EZHH JPW (000) | T | 60.4/63.1 |
| R201 | 7030003400 | S.RES ERJ3GEYJ 471 V (470) | T | 52/45.7 |
| R221 | 7030003240 | S.RES ERJ3GEYJ 220 V (22) | T | 35.2/15 |
| R222 | 7030003280 | S.RES ERJ3GEYJ 470 V (47) | T | 33/14.1 |
| R223 | 7030003240 | S.RES ERJ3GEYJ 220 V (22) | T | 31.7/14.1 |
| R224 | 7030003320 | S.RES ERJ3GEYJ 101 V (100) | T | 36.9/13.6 |
| R225 | 7030003320 | S.RES ERJ3GEYJ 101 V (100) | T | 36.9/12.4 |
| R241 | 7030003320 | S.RES ERJ3GEYJ 101 V (100) | T | 38/18 |
| R242 | 7030003320 | S.RES ERJ3GEYJ 101 V (100) | T | 23.1/17.3 |
| R261 | 7030003320 | S.RES ERJ3GEYJ 101 V (100) | T | 37.3/24.1 |
| R262 | 7030003320 | S.RES ERJ3GEYJ 101 V (100) | T | 37.3/25.3 |
| R281 | 7030003320 | S.RES ERJ3GEYJ 101 V (100) | T | 39.5/29.5 |
| R282 | 7030003320 | S.RES ERJ3GEYJ 101 V (100) | T | 23.4/30.1 |
| R301 | 7030003320 | S.RES ERJ3GEYJ 101 V (100) | T | 39.6/35.6 |
| R302 | 7030003320 | S.RES ERJ3GEYJ 101 V (100) | T | 23.4/37.6 |
| R321 | 7030003320 | S.RES ERJ3GEYJ 101 V (100) | T | 39.5/41.7 |
| R322 | 7030003320 | S.RES ERJ3GEYJ 101 V (100) | T | 23.4/43.7 |
| R341 | 7030003320 | S.RES ERJ3GEYJ 101 V (100) | T | 39.6/47.8 |
| R342 | 7030003320 | S.RES ERJ3GEYJ 101 V (100) | T | 23.4/49.5 |
| R361 | 7030003320 | S.RES ERJ3GEYJ 101 V (100) | T | 41.8/53.9 |
| R362 | 7030003320 | S.RES ERJ3GEYJ 101 V (100) | T | 23.3/55.7 |
| R381 | 7030003320 | S.RES ERJ3GEYJ 101 V (100) | T | 31.5/75.3 |
| R382 | 7030003320 | S.RES ERJ3GEYJ 101 V (100) | T | 49.6/73.8 |
| R383 | 7030003280 | S.RES ERJ3GEYJ 470 V (47) | T | 36/67.4 |
| R384 | 7030003440 | S.RES ERJ3GEYJ 102 V (1K) | T | 44.8/71.9 |
| R385 | 7030003490 | S.RES ERJ3GEYJ 272 V (2.7K) | T | 47.2/71.9 |
| R401 | 7030003320 | S.RES ERJ3GEYJ 101 V (100) | T | 40.1/59.4 |
| R402 | 7030003320 | S.RES ERJ3GEYJ 101 V (100) | T | 48.1/58.9 |
| R421 | 7030003640 | S.RES ERJ3GEYJ 473 V (47K) | T | 39.8/13.6 |
| R422 | 7030003640 | S.RES ERJ3GEYJ 473 V (47K) | T | 35.1/17.1 |
| R423 | 7030003640 | S.RES ERJ3GEYJ 473 V (47K) | T | 40/24.1 |
| R424 | 7030003640 | S.RES ERJ3GEYJ 473 V (47K) | T | 37/30.3 |
| R425 | 7030003640 | S.RES ERJ3GEYJ 473 V (47K) | T | 37/36.4 |
| R426 | 7030003640 | S.RES ERJ3GEYJ 473 V (47K) | T | 37.2/42.4 |
| R427 | 7030003640 | S.RES ERJ3GEYJ 473 V (47K) | T | 37/48.6 |
| R428 | 7030003640 | S.RES ERJ3GEYJ 473 V (47K) | T | 37.7/53.8 |
| R429 | 7030003640 | S.RES ERJ3GEYJ 473 V (47K) | T | 34.2/75.3 |
| R430 | 7030003640 | S.RES ERJ3GEYJ 473 V (47K) | T | 48.1/57.7 |
| R431 | 7030003400 | S.RES ERJ3GEYJ 471 V (470) | T | 22.9/11.1 |
| R441 | 7030003400 | S.RES ERJ3GEYJ 471 V (470) | T | 16/64.2 |
| R442 | 7030003370 | S.RES ERJ3GEYJ 271 V (270) | T | 14.8/56.4 |
| R443 | 7030003440 | S.RES ERJ3GEYJ 102 V (1K) | T | 17.4/73.9 |
| R444 | 7030003560 | S.RES ERJ3GEYJ 103 V (10K) | T | 12.7/57.2 |
| R445 | 7030003280 | S.RES ERJ3GEYJ 470 V (47) | T | 16.3/66.8 |
| R446 | 7030003320 | S.RES ERJ3GEYJ 101 V (100) | T | 7.2/67.4 |
| R447 | 7030003440 | S.RES ERJ3GEYJ 102 V (1K) | T | 6.9/60.5 |
| R448 | 7030003320 | S.RES ERJ3GEYJ 101 V (100) | T | 4.5/66.6 |
| R449 | 7030003480 | S.RES ERJ3GEYJ 222 V (2.2K) | T | 9.3/60.5 |
| R450 | 7030003370 | S.RES ERJ3GEYJ 271 V (270) | T | 11.4/60.5 |
| R455 | 7030003840 | S.RES 2.2M ERJ3GE | T | 7.9/36.7 |
| R460 | 7030003740 | S.RES ERJ3GEYJ 334 V (330K) | T | 7.9/39.1 |
| R462 | 7030003720 | S.RES ERJ3GEYJ 224 V (220K) | T | 2.6/42.9 |
| R463 | 7030003680 | S.RES ERJ3GEYJ 104 V (100K) | T | 7.8/37.9 |
| R464 | 7030003840 | S.RES ERJ3GEYJ 225 V (2.2M) | T | 5.2/42.2 |
| R465 | 7030003380 | S.RES ERJ3GEYJ 331 V (330) | T | 7.8/42 |
| R466 | 7030003680 | S.RES ERJ3GEYJ 104 V (100K) | T | 3.9/31.7 |
| R467 | 7030003840 | S.RES ERJ3GEYJ 225 V (2.2M) | T | 4.4/33.3 |
| R468 | 7030003720 | S.RES ERJ3GEYJ 224 V (220K) | T | 1.8/33.2 |
| R469 | 7030003590 | S.RES ERJ3GEYJ 183 V (18K) | T | 1.8/35.8 |
| R470 | 7030003400 | S.RES ERJ3GEYJ 471 V (470) | T | 7.4/32.5 |
| R472 | 7030003600 | S.RES ERJ3GEYJ 223 V (22K) | T | 6.5/31.3 |
| R475 | 7030003860 | S.RES ERJ3GE JPW V | T | 16.3/43.4 |
| R476 | 7030003580 | S.RES ERJ3GEYJ 153 V (15K) | T | 13.7/43.1 |
| R477 | 7030003400 | S.RES ERJ3GEYJ 471 V (470) | T | 11.1/42.9 |
| R478 | 7030003440 | S.RES ERJ3GEYJ 102 V (1K) | T | 5.9/28.1 |
| R479 | 7030003680 | S.RES ERJ3GEYJ 104 V (100K) | T | 6.5/25.8 |
| R480 | 7030003860 | S.RES ERJ3GE JPW V | T | 6.3/29.6 |
| R482 | 7030003560 | S.RES ERJ3GEYJ 103 V (10K) | T | 1.8/41 |
| R483 | 7030003320 | S.RES ERJ3GEYJ 101 V (100) | T | 7.3/33.7 |
| R484 | 7030003820 | S.RES ERJ3GEYJ 155 V (1.5M) | T | 11.5/45.4 |
| R485 | 7030003840 | S.RES ERJ3GEYJ 225 V (2.2M) | T | 14.8/52.4 |
| R486 | 7030003770 | S.RES ERJ3GEYJ 564 V (560K) | T | 16.7/53.1 |
| R487 | 7030003760 | S.RES ERJ3GEYJ 474 V (470K) | T | 17.6/50 |
| R488 | 7030003500 | S.RES ERJ3GEYJ 332 V (3.3K) | T | 12/52.4 |
| R489 | 7030003520 | S.RES ERJ3GEYJ 472 V (4.7K) | T | 4.7/57.7 |
| R490 | 7030003640 | S.RES ERJ3GEYJ 473 V (47K) | T | 16.1/40.1 |
| R492 | 7030003740 | S.RES ERJ3GEYJ 334 V (330K) | T | 6.1/52.4 |
| R494 | 7030003440 | S.RES ERJ3GEYJ 102 V (1K) | T | 2.4/21.2 |
| R495 | 7030003560 | S.RES ERJ3GEYJ 103 V (10K) | T | 5.5/22.9 |
| R496 | 7030003600 | S.RES ERJ3GEYJ 223 V (22K) | T | 1.8/38.4 |
| R501 | 7030003320 | S.RES ERJ3GEYJ 101 V (100) | T | 3.5/18.7 |
| R502 | 7030003680 | S.RES ERJ3GEYJ 104 V (100K) | T | 6.5/19.6 |
| R503 | 7030003700 | S.RES ERJ3GEYJ 154 V (150K) | T | 9.4/17.4 |
| R504 | 7030003700 | S.RES ERJ3GEYJ 154 V (150K) | T | 8.7/19.3 |

[RF UNIT]

| REF NO. | PARTS NO. | DESCRIPTION | M. | H/V LOCATION |
|---------|------------|---------------------------------------|----|--------------|
| R516 | 7030003860 | S.RES ERJ3GE JPW V | T | 73.5/49.5 |
| R517 | 7030003360 | S.RES ERJ3GEYJ 221 V (220) | T | 59.6/84.1 |
| R519 | 7030003320 | S.RES ERJ3GEYJ 101 V (100) | T | 10.7/50 |
| R520 | 7030003320 | S.RES ERJ3GEYJ 101 V (100) | T | 44.1/85.8 |
| R521 | 7030003320 | S.RES ERJ3GEYJ 101 V (100) | T | 41/85.8 |
| R522 | 7030003320 | S.RES ERJ3GEYJ 101 V (100) | T | 38.6/85.8 |
| R523 | 7030003320 | S.RES ERJ3GEYJ 101 V (100) | T | 36.2/85.8 |
| R525 | 7030003560 | S.RES ERJ3GEYJ 103 V (10K) | T | 8.5/28.1 |
| R527 | 7030003440 | S.RES ERJ3GEYJ 102 V (1K) | T | 59.7/42.1 |
| R528 | 7030003560 | S.RES ERJ3GEYJ 103 V (10K) | T | 59.7/43.3 |
| R529 | 7030009830 | S.RES ERJ12YJ391U (390) | T | 61.1/37.1 |
| R530 | 7030003390 | S.RES ERJ3GEYJ 391 V (390) | T | 60.5/49.6 |
| R531 | 7030003360 | S.RES ERJ3GEYJ 221 V (220) | T | 5.3/19.6 |
| R532 | 7030003640 | S.RES ERJ3GEYJ 473 V (47K) | T | 14.8/40.4 |
| R533 | 7030003710 | S.RES ERJ3GEYJ 184 V (180K) | T | 8.8/51 |
| C1 | 4030011050 | S.CER GRM31M3C2H3R0CY21L (GRM42-6 CJ) | T | 56.7/12.5 |
| C2 | 4030007150 | S.CER C1608 CH 1H 151J-T | T | 60.8/12.1 |
| C3 | 4030006870 | S.CER C1608 JB 1H 222K-T | T | 72.9/7.4 |
| C4 | 4030011340 | S.CER C1608 CH 1H 471J-T | T | 66.1/9.8 |
| C5 | 4030011340 | S.CER C1608 CH 1H 471J-T | T | 72.9/9.8 |
| C6 | 4030006870 | S.CER C1608 JB 1H 222K-T | T | 66.1/7.4 |
| C7 | 4030006880 | S.CER C1608 JB 1H 472K-T | T | 50.4/15.6 |
| C8 | 4030006880 | S.CER C1608 JB 1H 472K-T | T | 53.1/17.9 |
| C9 | 4030011790 | S.CER GRM55RF52A684ZD01L (GRM44-1) | T | 79.6/3.3 |
| C12 | 4030011600 | S.CER C1608 JB 1E 104K-T | T | 58.1/17.4 |
| C13 | 4030011600 | S.CER C1608 JB 1E 104K-T | T | 58.1/15.5 |
| C141 | 4030011600 | S.CER C1608 JB 1E 104K-T | T | 9.9/19.3 |
| C142 | 4030011600 | S.CER C1608 JB 1E 104K-T | T | 10.6/31.8 |
| C143 | 4510009250 | S.ELE EEEFK1C471P | T | 17.9/5.8 |
| C161 | 4030007070 | S.CER C1608 CH 1H 330J-T | T | 51.6/24.8 |
| C162 | 4030007110 | S.CER C1608 CH 1H 680J-T | T | 48.6/25.5 |
| C163 | 4030007120 | S.CER C1608 CH 1H 820J-T | T | 47.7/21 |
| C164 | 4030006880 | S.CER C1608 JB 1H 472K-T | T | 59.7/44.5 |
| C165 | 4030006880 | S.CER C1608 JB 1H 472K-T | T | 61.1/50.8 |
| C166 | 4030006880 | S.CER C1608 JB 1H 472K-T | T | 60/40.2 |
| C168 | 4030011600 | S.CER C1608 JB 1E 104K-T | T | 49.4/27.5 |
| C169 | 4030011600 | S.CER C1608 JB 1E 104K-T | T | 61/31.4 |
| C170 | 4030011600 | S.CER C1608 JB 1E 104K-T | T | 58.8/33 |
| C171 | 4030011600 | S.CER C1608 JB 1E 104K-T | T | 50.6/31.7 |
| C173 | 4030011600 | S.CER C1608 JB 1E 104K-T | T | 54.8/35.7 |
| C174 | 4030009990 | S.CER C1608 CH 1H 200J-T | T | 47/18.9 |
| C175 | 4030007090 | S.CER C1608 CH 1H 470J-T | T | 47.8/17 |
| C176 | 4030011600 | S.CER C1608 JB 1E 104K-T | T | 57.6/26.5 |
| C181 | 4030011600 | S.CER C1608 JB 1E 104K-T | T | 60.7/61.6 |
| C182 | 4030011600 | S.CER C1608 JB 1E 104K-T | T | 57.8/58.3 |
| C183 | 4030011600 | S.CER C1608 JB 1E 104K-T | T | 45.3/58.4 |
| C184 | 4030007130 | S.CER C1608 CH 1H 101J-T | T | 58.6/54.6 |
| C186 | 4030007130 | S.CER C1608 CH 1H 101J-T | T | 55.6/51.5 |
| C187 | 4030007130 | S.CER C1608 CH 1H 101J-T | T | 56.7/64.7 |
| C195 | 4030011600 | S.CER C1608 JB 1E 104K-T | T | 58.5/51.5 |
| C201 | 4030011600 | S.CER C1608 JB 1E 104K-T | T | 54.6/45.7 |
| C202 | 4030011600 | S.CER C1608 JB 1E 104K-T | T | 50.4/44.5 |
| C203 | 4030008920 | S.CER C1608 JB 1H 473K-T | T | 49.3/45.7 |
| C204 | 4030009980 | S.CER C1608 JB 1H 152K-T | T | 47.8/44.5 |
| C205 | 4030006880 | S.CER C1608 JB 1H 472K-T | T | 45.3/46.4 |
| C206 | 4030008470 | S.CER C1608 JB 1H 272K-T | T | 45.2/44.5 |
| C207 | 4030011600 | S.CER C1608 JB 1E 104K-T | T | 48.5/41.9 |
| C208 | 4030006880 | S.CER C1608 JB 1H 472K-T | T | 46.5/46.4 |
| C221 | 4030006880 | S.CER C2012 JF 1C 105Z-T | T | 34.6/12.6 |
| C222 | 4030008470 | S.CER C1608 JB 1H 272K-T | T | 27.3/11.9 |
| C223 | 4030007170 | S.CER C1608 CH 1H 221J-T | T | 25.4/12.4 |
| C224 | 4030006870 | S.CER C1608 JB 1H 222K-T | T | 25.4/11.2 |
| C241 | 4030011600 | S.CER C1608 JB 1E 104K-T | T | 38/16.8 |
| C242 | 4030009970 | S.CER C1608 JB 1H 182K-T | T | 32.3/18 |
| C243 | 4030017870 | S.CER C1608 CH 1H 681J-T | T | 32.6/19.2 |
| C244 | 4030017870 | S.CER C1608 CH 1H 681J-T | T | 30.4/18.5 |
| C245 | 4030008470 | S.CER C1608 JB 1H 272K-T | T | 28.2/22.1 |
| C246 | 4030008850 | S.CER C1608 JB 1H 123K-T | T | 26/17.3 |
| C247 | 4030018610 | S.CER C1608 CH 1H 182J-T | T | 25.4/22.1 |
| C248 | 4030011600 | S.CER C1608 JB 1E 104K-T | T | 24.8/17.3 |
| C249 | 4030011330 | S.CER C1608 CH 1H 391J-T | T | 37.1/20.8 |
| C261 | 4030011600 | S.CER C1608 JB 1E 104K-T | T | 34.6/24.1 |
| C262 | 4030010020 | S.CER C1608 JB 1H 122K-T | T | 27.4/24.4 |
| C263 | 4030007100 | S.CER C1608 CH 1H 560J-T | T | 25.5/24.9 |
| C264 | 4030017870 | S.CER C1608 CH 1H 681J-T | T | 25.5/23.7 |
| C265 | 4030017800 | S.CER C1608 CH 1H 561J-T | T | 28.9/24.4 |
| C266 | 4030007150 | S.CER C1608 CH 1H 151J-T | T | 28.9/27 |
| C281 | 4030011600 | S.CER C1608 JB 1E 104K-T | T | 42.2/30.2 |
| C282 | 4030011340 | S.CER C1608 CH 1H 471J-T | T | 35.8/30.3 |
| C283 | 4030007110 | S.CER C1608 CH 1H 680J-T | T | 34.6/33 |
| C284 | 4030011280 | S.CER C1608 CH 1H 271J-T | T | 34.6/30.3 |
| C285 | 4030010020 | S.CER C1608 JB 1H 122K-T | T | 30.2/33.1 |
| C286 | 4030008770 | S.CER C1608 JB 1H 562K-T | T | 28.3/32.6 |
| C287 | 4030017870 | S.CER C1608 CH 1H 681J-T | T | 28.3/33.8 |
| C288 | 4030011600 | S.CER C1608 JB 1E 104K-T | T | 25.6/29.5 |
| C301 | 4030011600 | S.CER C1608 JB 1E 104K-T | T | 42.2/36.3 |
| C302 | 4030010760 | S.CER C1608 CH 1H 331J-T | T | 35.8/36.4 |
| C303 | 4030007100 | S.CER C1608 CH 1H 560J-T | T | 34.6/39.1 |
| C304 | 4030007160 | S.CER C1608 CH 1H 181J-T | T | 34.6/36.4 |
| C305 | 4030018580 | S.CER C1608 CH 1H 821J-T | T | 30.2/39.2 |
| C306 | 4030008470 | S.CER C1608 JB 1H 272K-T | T | 28.3/38.7 |
| C307 | 4030010760 | S.CER C1608 CH 1H 331J-T | T | 28.3/39.9 |
| C308 | 4030011600 | S.CER C1608 JB 1E 104K-T | T | 25.6/35.6 |
| C321 | 4030006880 | S.CER C1608 JB 1H 472K-T | T | 42.2/42.4 |

[RF UNIT]

| REF NO. | PARTS NO. | DESCRIPTION | M. | H/V LOCATION |
|---------|------------|---------------------------|-----|--------------|
| C322 | 4030011280 | S.CER C1608 CH 1H 271J-T | T | 35.9/42.4 |
| C323 | 4030007150 | S.CER C1608 CH 1H 560J-T | T | 34.6/45.2 |
| C324 | 4030007150 | S.CER C1608 CH 1H 151J-T | T | 34.6/42.4 |
| C325 | 4030011340 | S.CER C1608 CH 1H 471J-T | T | 30.2/45.3 |
| C326 | 4030009980 | S.CER C1608 JB 1H 152K-T | T | 28.3/44.8 |
| C327 | 4030007170 | S.CER C1608 CH 1H 221J-T | T | 28.3/46 |
| C328 | 4030006880 | S.CER C1608 JB 1H 472K-T | T | 25.6/41.7 |
| C341 | 4030006880 | S.CER C1608 JB 1H 472K-T | T | 42.2/48.6 |
| C342 | 4030007170 | S.CER C1608 CH 1H 221J-T | T | 35.8/48.6 |
| C343 | 4030007070 | S.CER C1608 CH 1H 330J-T | T | 34.6/51.3 |
| C344 | 4030007140 | S.CER C1608 CH 1H 121J-T | T | 34.6/48.7 |
| C345 | 4030011280 | S.CER C1608 CH 1H 271J-T | T | 30.2/51.4 |
| C346 | 4030010020 | S.CER C1608 JB 1H 122K-T | T | 28.3/50.9 |
| C347 | 4030007150 | S.CER C1608 CH 1H 151J-T | T | 28.3/52.1 |
| C348 | 4030006880 | S.CER C1608 JB 1H 472K-T | T | 25.6/47.8 |
| C360 | 4030007120 | S.CER C1608 CH 1H 820J-T | T | 42.5/56.4 |
| C361 | 4030011600 | S.CER C1608 JB 1E 104K-T | T | 43.8/53.9 |
| C362 | 4030007140 | S.CER C1608 CH 1H 121J-T | T | 35.9/54.5 |
| C363 | 4030007100 | S.CER C1608 CH 1H 560J-T | T | 34.7/57.1 |
| C364 | 4030007090 | S.CER C1608 CH 1H 470J-T | T | 34.7/54.5 |
| C365 | 4030007170 | S.CER C1608 CH 1H 221J-T | T | 30.2/57.5 |
| C366 | 4030018580 | S.CER C1608 CH 1H 821J-T | T | 28.3/57.1 |
| C367 | 4030007130 | S.CER C1608 CH 1H 101J-T | T | 28.3/58.3 |
| C368 | 4030011600 | S.CER C1608 JB 1E 104K-T | T | 25.6/53.9 |
| C369 | 4030007090 | S.CER C1608 CH 1H 470J-T | T | 37.7/55 |
| C381 | 4030007110 | S.CER C1608 CH 1H 680J-T | T | 46.6/65.7 |
| C382 | 4030007160 | S.CER C1608 CH 1H 181J-T | T | 43.9/65.7 |
| C383 | 4030011600 | S.CER C1608 JB 1E 104K-T | T | 31.5/76.5 |
| C384 | 4030011600 | S.CER C1608 JB 1E 104K-T | T | 50.5/71.9 |
| C385 | 4030011600 | S.CER C1608 JB 1E 104K-T | T | 46/71.9 |
| C386 | 4030011600 | S.CER C1608 JB 1E 104K-T | T | 48.9/71.9 |
| C387 | 4030011600 | S.CER C1608 JB 1E 104K-T | T | 30.4/70.4 |
| C388 | 4030011600 | S.CER C1608 JB 1E 104K-T | T | 31.1/68 |
| C401 | 4030007110 | S.CER C1608 CH 1H 680J-T | T | 47.3/63.6 |
| C402 | 4030007080 | S.CER C1608 CH 1H 390J-T | T | 39.7/63.8 |
| C403 | 4030007150 | S.CER C1608 CH 1H 151J-T | T | 50/60.8 |
| C404 | 4030018580 | S.CER C1608 CH 1H 821J-T | T | 42.8/59.4 |
| C405 | 4030007120 | S.CER C1608 CH 1H 820J-T | T | 34.8/61 |
| C406 | 4030007030 | S.CER C1608 CH 1H 150J-T | T | 34.8/64.4 |
| C407 | 4030007150 | S.CER C1608 CH 1H 151J-T | T | 32.9/61 |
| C408 | 4030007080 | S.CER C1608 CH 1H 390J-T | T | 32.1/62.9 |
| C409 | 4030007140 | S.CER C1608 CH 1H 121J-T | T | 31.3/61 |
| C410 | 4030008560 | S.CER C1608 CH 1H 300J-T | T | 29.3/64.4 |
| C411 | 4030007120 | S.CER C1608 CH 1H 820J-T | T | 29.3/61.6 |
| C412 | 4030007090 | S.CER C1608 CH 1H 470J-T | T | 41.6/64.1 |
| C413 | 4030007030 | S.CER C1608 CH 1H 150J-T | T | 51.2/60.8 |
| C414 | 4030009520 | S.CER C1608 CH 1H 020B-T | T | 45.9/63.6 |
| C441 | 4030011600 | S.CER C1608 JB 1E 104K-T | T | 24.7/67.3 |
| C442 | 4030011600 | S.CER C1608 JB 1E 104K-T | T | 14.8/57.6 |
| C443 | 4030018910 | S.CER C1608 JB 0J 475K-T | T | 14.8/58.8 |
| C444 | 4030011600 | S.CER C1608 JB 1E 104K-T | T | 14.8/73.9 |
| C445 | 4030011600 | S.CER C1608 JB 1E 104K-T | T | 12.6/60.5 |
| C446 | 4030011600 | S.CER C1608 JB 1E 104K-T | T | 10/67.4 |
| C447 | 4030006880 | S.CER C1608 JB 1H 472K-T | T | 16.6/70.5 |
| C448 | 4030011600 | S.CER C1608 JB 1E 104K-T | T | 8.1/60.5 |
| C450 | 4030011600 | S.CER C1608 JB 1E 104K-T | T | 5/76.7 |
| C451 | 4030011600 | S.CER C1608 JB 1E 104K-T | T | 14.1/68.7 |
| C452 | 4030011600 | S.CER C1608 JB 1E 104K-T | T | 15.4/70.5 |
| C453 | 4030011600 | S.CER C1608 JB 1E 104K-T | T | 8.5/58.5 |
| C454 | 4510009250 | S.ELE EEEFK1C471P | T | 14.9/84.8 |
| C455 | 4030007110 | S.CER C1608 CH 1H 680J-T | T | 11.4/77.7 |
| C456 | 4030007090 | S.CER C1608 CH 1H 470J-T | T | 20/72.6 |
| C457 | 4030007090 | S.CER C1608 CH 1H 470J-T | T | 16.4/61.2 |
| C460 | 4030006900 | S.CER C1608 JB 1H 103K-T | T | 10.9/38.1 |
| C461 | 4030011600 | S.CER C1608 JB 1E 104K-T | T | 7.7/34.9 |
| C462 | 4030006880 | S.CER C1608 JB 1H 472K-T | T | 7.8/40.8 |
| C464 | 4030017480 | S.CER C1608 JB 1A 474K-T | T | 3.2/30 |
| C468 | 4030011600 | S.CER C1608 JB 1E 104K-T | T | 3.3/16.9 |
| C470 | 4030018970 | S.CER C3225 JB 1C 226MT-N | T | 2.9/45.8 |
| C471 | 4030018970 | S.CER C3225 JB 1C 226MT-N | T | 5.9/45 |
| C480 | 4030017490 | S.CER C1608 JB 1A 105K-T | T | 2.1/26.4 |
| C481 | 4030011600 | S.CER C1608 JB 1E 104K-T | T | 4.3/22.9 |
| C482 | 4030017490 | S.CER C1608 JB 1A 105K-T | T | 2.1/27.6 |
| C483 | 4030017490 | S.CER C1608 JB 1A 105K-T | T | 2.1/25.2 |
| C504 | 4030006880 | S.CER C1608 JB 1H 472K-T | T | 30.2/85.1 |
| C506 | 4030006880 | S.CER C1608 JB 1H 472K-T | T | 76.1/93.6 |
| C507 | 4030006880 | S.CER C1608 JB 1H 472K-T | T | 63.5/84.1 |
| C508 | 4030006880 | S.CER C1608 JB 1H 472K-T | T | 66.1/77.3 |
| C509 | 4030006880 | S.CER C1608 JB 1H 472K-T | T | 63.5/78.8 |
| C510 | 4030006880 | S.CER C1608 JB 1H 472K-T | T | 61.7/72.9 |
| C511 | 4030006880 | S.CER C1608 JB 1H 472K-T | T | 62.5/71 |
| C512 | 4030006880 | S.CER C1608 JB 1H 472K-T | T | 60.5/66 |
| C513 | 4030006880 | S.CER C1608 JB 1H 472K-T | T</ | |

[RF UNIT]

| REF NO. | PARTS NO. | DESCRIPTION | M. | H/V LOCATION |
|---------|------------|---------------------------|----|--------------|
| C531 | 4030006880 | S.CER C1608 JB 1H 472K-T | T | 34.1/94.9 |
| C532 | 4030006880 | S.CER C1608 JB 1H 472K-T | T | 32.9/94.9 |
| C533 | 4030007090 | S.CER C1608 CH 1H 470J-T | T | 37.4/85.8 |
| C534 | 4030007090 | S.CER C1608 CH 1H 470J-T | T | 39.8/85.8 |
| C535 | 4030007090 | S.CER C1608 CH 1H 470J-T | T | 42.2/85.8 |
| C536 | 4030007090 | S.CER C1608 CH 1H 470J-T | T | 45.3/85.8 |
| C537 | 4030006880 | S.CER C1608 JB 1H 472K-T | T | 33.8/85.8 |
| C538 | 4030006880 | S.CER C1608 JB 1H 472K-T | T | 50.7/88.2 |
| C539 | 4030006880 | S.CER C1608 JB 1H 472K-T | T | 51.9/88.7 |
| C542 | 4030006880 | S.CER C1608 JB 1H 472K-T | T | 53.1/88.7 |
| C543 | 4030006880 | S.CER C1608 JB 1H 472K-T | T | 46.5/85.8 |
| C544 | 4030006880 | S.CER C1608 JB 1H 472K-T | T | 47.7/85.8 |
| C545 | 4030006880 | S.CER C1608 JB 1H 472K-T | T | 48.9/85.8 |
| C546 | 4030011600 | S.CER C1608 JB 1E 104K-T | T | 50.1/85.4 |
| C547 | 4030006880 | S.CER C1608 JB 1H 472K-T | T | 57.9/88.7 |
| C548 | 4030006880 | S.CER C1608 JB 1H 472K-T | T | 56.7/88.7 |
| C549 | 4030006880 | S.CER C1608 JB 1H 472K-T | T | 35/85.8 |
| C551 | 4030006880 | S.CER C1608 JB 1H 472K-T | T | 59.1/88.7 |
| C552 | 4030006880 | S.CER C1608 JB 1H 472K-T | T | 72.7/93.7 |
| C553 | 4030006880 | S.CER C1608 JB 1H 472K-T | T | 60.3/88.7 |
| C554 | 4030011600 | S.CER C1608 JB 1E 104K-T | T | 65.5/43.4 |
| C555 | 4030011600 | S.CER C1608 JB 1E 104K-T | T | 53.8/29.7 |
| C556 | 4030006880 | S.CER C1608 JB 1H 472K-T | T | 38.4/89 |
| C557 | 4030006880 | S.CER C1608 JB 1H 472K-T | T | 38.4/90.2 |
| C558 | 4030006880 | S.CER C1608 JB 1H 472K-T | T | 36.2/94.2 |
| C559 | 4030006880 | S.CER C1608 JB 1H 472K-T | T | 36.2/95.4 |
| C560 | 4030006880 | S.CER C1608 JB 1H 472K-T | T | 32.6/85.8 |
| C561 | 4030006880 | S.CER C1608 JB 1H 472K-T | T | 49.5/88.7 |
| RL1 | 6330001721 | REL ATN207-K1 | | |
| RL501 | 6330001721 | REL ATN207-K1 | | |
| J5 | 6510024151 | S.CON 50FY-BMT-TB(LF)(SN) | T | 22.2/90.9 |
| J6 | 6510024151 | S.CON 50FY-BMT-TB(LF)(SN) | T | 51.7/93.1 |
| J7 | 6510007020 | CON TMP-J01X-V6 | | |
| J8 | 6510007020 | CON TMP-J01X-V6 | | |
| J10 | 6510007020 | CON TMP-J01X-V6 | | |
| J501 | 6450001641 | CON TCS5044-0141177 | | |
| J502 | 6450001130 | CON JPJ2042-01-110 | | |
| J503 | 6510023900 | CON LGR4619-7000 0 | | |
| EP170 | 6910012350 | S.BEA MMZ1608Y 102BT | T | 60.9/25.7 |
| EP501 | 6910012350 | S.BEA MMZ1608Y 102BT | T | 70.3/48 |
| EP502 | 6910018930 | S.BEA MPZ2012S601A | T | 65.8/84 |
| EP503 | 6910018930 | S.BEA MPZ2012S601A | T | 65.8/79.6 |
| EP504 | 6910018930 | S.BEA MPZ2012S601A | T | 65.8/73.2 |
| EP505 | 6910018930 | S.BEA MPZ2012S601A | T | 73.8/29.7 |
| EP507 | 6910018930 | S.BEA MPZ2012S601A | T | 28.1/87.4 |
| EP509 | 6910018930 | S.BEA MPZ2012S601A | T | 23.9/85.8 |
| EP510 | 6910018930 | S.BEA MPZ2012S601A | T | 21.6/85.8 |
| EP511 | 6910012350 | S.BEA MMZ1608Y 102BT | T | 67.1/53.2 |
| EP512 | 6910012350 | S.BEA MMZ1608Y 102BT | T | 72.2/54.8 |

[PA UNIT]

| REF NO. | PARTS NO. | DESCRIPTION | M. | H/V LOCATION |
|---------|------------|-------------------------------------|----|--------------|
| IC1 | 1180001251 | S.IC TA7808F(TE16L,Q) | T | 17.3/40.6 |
| IC2 | 1110003800 | S.IC NJM2904V-TE1-#FMZB | T | 6.5/23 |
| Q1 | 1560001241 | S.FET RD01MUS1-T113 | T | 26.7/30.7 |
| Q2 | 1560001530 | FET RD15HVF1-101 | | |
| Q3 | 1560001530 | FET RD15HVF1-101 | | |
| Q4 | 1560001640 | FET RD100HHF1C-103 | | |
| Q5 | 1560001640 | FET RD100HHF1C-103 | | |
| Q7 | 1590000680 | S.TRA DTC114EUA T106 | T | 20/58.5 |
| Q131 | 1540000550 | S.TRA 2SD1664 T100Q | T | 144.6/84.4 |
| D4 | 1790000700 | DIO DSA3A1 | | |
| D5 | 1790000700 | DIO DSA3A1 | | |
| D6 | 1790001250 | S.DIO MA2S111-(TX) 0 | T | 11.6/56.1 |
| D8 | 1790001250 | S.DIO MA2S111-(TX) 0 | T | 84.8/12.9 |
| D9 | 1790001250 | S.DIO MA2S111-(TX) 0 | T | 84.8/54.1 |
| D10 | 1790001250 | S.DIO MA2S111-(TX) 0 | T | 38.3/9.6 |
| D11 | 1790001250 | S.DIO MA2S111-(TX) 0 | T | 39.1/39 |
| D17 | 1790001250 | S.DIO MA2S111-(TX) 0 | T | 89.2/56.7 |
| D18 | 1790001250 | S.DIO MA2S111-(TX) 0 | T | 89.2/10.3 |
| L1 | 6140002350 | COI LR-274 (RIB4X7X5 3A6) | | |
| L2 | 6140004690 | COI LR-530 <KN> | | |
| L3 | 6140004700 | COI LR-529 | | |
| L4 | 6140003590 | COI LR-400 (TR10X5X5 6H3) | | |
| L5 | 6140004570 | COI LR-507 | | |
| L7 | 6140002220 | COI LR-270 (TR6X3X2 3A9) | | |
| L24 | 6200003241 | S.COI NLV32T-221J | T | 21.4/16.8 |
| L25 | 6200003241 | S.COI NLV32T-221J | T | 18.4/13.8 |
| L29 | 6140003440 | COI LR-386 (FK-100E-5003H) [EUR] | | |
| | 6140003440 | COI LR-386 (FK-100E-5003H) [FRA] | | |
| | 6140003440 | COI LR-386 (FK-100E-5003H) [ITR] | | |
| | 6140003440 | COI LR-386 (FK-100E-5003H) [ESP] | | |
| | 6140003440 | COI LR-386 (FK-100E-5003H) [EUR-01] | | |
| L38 | 6140003440 | COI LR-386 (FK-100E-5003H) [EUR] | | |
| | 6140003440 | COI LR-386 (FK-100E-5003H) [FRA] | | |
| | 6140003440 | COI LR-386 (FK-100E-5003H) [ITR] | | |
| | 6140003440 | COI LR-386 (FK-100E-5003H) [ESP] | | |
| | 6140003440 | COI LR-386 (FK-100E-5003H) [EUR-01] | | |
| L131 | 6200002041 | S.COI NLV25T-101J | T | 36/80.2 |
| R1 | 7030003310 | S.RES ERJ3GEYJ 820 V (82) | T | 23.5/31.1 |
| R2 | 7030003510 | S.RES ERJ3GEYJ 392 V (3.9K) | T | 22.3/31.1 |
| R3 | 7030003410 | S.RES ERJ3GEYJ 561 V (560) | T | 26.8/26 |
| R4 | 7030006210 | S.RES ERJ12YJ4R7U (4.7) | T | 31/34.1 |
| R5 | 7030008180 | S.RES ERJ12YJ331U (330) | T | 29.5/24.1 |
| R6 | 7030003450 | S.RES ERJ3GEYJ 122 V (1.2K) | T | 23.5/33.8 |
| R7 | 7030000220 | S.RES MCR10EZHZJ 47 (470) | T | 40.3/41 |
| R8 | 7030000220 | S.RES MCR10EZHZJ 47 (470) | T | 40.2/8.2 |
| R9 | 7030010480 | S.RES ERJ1TYJ 181U (180) | T | 49.4/34.7 |
| R10 | 7030010480 | S.RES ERJ1TYJ 181U (180) | T | 49.4/6.6 |
| R11 | 7030003230 | S.RES ERJ3GEYJ 180 V (18) | T | 15.5/25.8 |
| R12 | 7030003370 | S.RES ERJ3GEYJ 271 V (270) | T | 16.2/27.8 |
| R13 | 7030003370 | S.RES ERJ3GEYJ 271 V (270) | T | 16.8/25.8 |
| R15 | 7030010410 | S.RES ERJ1TYJ 220U (22) | T | 107.4/38.5 |
| R16 | 7030010410 | S.RES ERJ1TYJ 220U (22) | T | 107.4/28.5 |
| R17 | 7030003510 | S.RES ERJ3GEYJ 392 V (3.9K) | T | 90/54.8 |
| R18 | 7030003510 | S.RES ERJ3GEYJ 392 V (3.9K) | T | 90/12.2 |
| R20 | 7030000010 | S.RES MCR10EZHZJ JPW (000) | T | 21.5/26 |
| R22 | 7030010950 | S.RES ERJ1TYJ 100U (10) | T | 74.2/18 |
| R25 | 7030005971 | S.RES ERA3YKD 683V (68K) | T | 143.1/80.4 |
| R26 | 7030005981 | S.RES ERA3YED 333V (33K) | T | 138.6/80.4 |
| R27 | 7030005981 | S.RES ERA3YED 333V (33K) | T | 136.9/80.4 |
| R29 | 7030007661 | S.RES ERA3YED 331V (330) | T | 140.5/81.1 |
| R31 | 7030003450 | S.RES ERJ3GEYJ 122 V (1.2K) | T | 92.4/7.7 |
| R32 | 7030010570 | S.RES ERJ1TYJ 4R7U (4.7) | T | 165.7/61.7 |
| R33 | 7030010570 | S.RES ERJ1TYJ 4R7U (4.7) | T | 169.4/61.7 |
| R34 | 7030010410 | S.RES ERJ1TYJ 220U (22) | T | 103.3/38.5 |
| R36 | 7030010410 | S.RES ERJ1TYJ 220U (22) | T | 103.3/28.5 |
| R37 | 7030010410 | S.RES ERJ1TYJ 220U (22) | T | 87.7/50.7 |
| R38 | 7030010410 | S.RES ERJ1TYJ 220U (22) | T | 87.7/16.3 |
| R39 | 7030011240 | S.RES LRF3W-LF-01-R020F | T | 137.8/75.5 |
| R40 | 7030011240 | S.RES LRF3W-LF-01-R020F | T | 137.8/68.5 |
| R41 | 7030003320 | S.RES ERJ3GEYJ 101 V (100) | T | 18.4/64.4 |
| R42 | 7030003320 | S.RES ERJ3GEYJ 101 V (100) | T | 18.4/68.1 |
| R43 | 7030003320 | S.RES ERJ3GEYJ 101 V (100) | T | 17.4/71.7 |
| R44 | 7030003400 | S.RES ERJ3GEYJ 471 V (470) | T | 9.6/25.2 |
| R45 | 7030003400 | S.RES ERJ3GEYJ 471 V (470) | T | 8.2/17.8 |
| R46 | 7030003480 | S.RES ERJ3GEYJ 222 V (2.2K) | T | 41.3/43 |
| R47 | 7030003480 | S.RES ERJ3GEYJ 222 V (2.2K) | T | 41.2/6.1 |
| R49 | 7030011130 | S.RES ERJ1TYJ 1R0U (1) | T | 99.8/13.4 |
| R50 | 7510001551 | S.THE NTG16 4LH 333JT | T | 105.1/6.2 |
| R51 | 7030003440 | S.RES ERJ3GEYJ 102 V (1K) | T | 33.6/32.7 |
| R52 | 7030004040 | S.RES ERJ3GEYJ 4R7 V (4.7) | T | 24.1/59.3 |
| R55 | 7030005971 | S.RES ERA3YKD 683V (68K) | T | 136.9/85.7 |
| R60 | 7030011130 | S.RES ERJ1TYJ 1R0U (1) | T | 99.8/53.5 |
| R71 | 7030003650 | S.RES ERJ3GEYJ 563 V (56K) | T | 6/28.2 |
| R72 | 7030003680 | S.RES ERJ3GEYJ 104 V (100K) | T | 4.8/28.2 |
| R73 | 7030003650 | S.RES ERJ3GEYJ 563 V (56K) | T | 8.4/26.7 |
| R74 | 7030003680 | S.RES ERJ3GEYJ 104 V (100K) | T | 7.2/28.2 |
| R75 | 7030003680 | S.RES ERJ3GEYJ 104 V (100K) | T | 3.4/19.3 |
| R76 | 7030003650 | S.RES ERJ3GEYJ 563 V (56K) | T | 7/17.8 |

M.=Mounted side (T: Mounted on the Top side, B: Mounted on the Bottom side)
S.=Surface mount

[PA UNIT]

| REF NO. | PARTS NO. | DESCRIPTION | M. | H/V LOCATION |
|---------|------------|--|----|--------------|
| R77 | 7030003680 | S.RES ERJ3GEYJ 104 V (100K) | T | 5.8/17.1 |
| R78 | 7030003650 | S.RES ERJ3GEYJ 563 V (56K) | T | 4.6/19.3 |
| R79 | 7030003320 | S.RES ERJ3GEYJ 101 V (100) | T | 10.4/20.8 |
| R81 | 7030008240 | S.RES ERJ12Y0R00U | T | 40.2/32.4 |
| R82 | 7030008240 | S.RES ERJ12Y0R00U | T | 40.2/16.8 |
| R106 | 7030010250 | S.RES ERJ1TYJ 0R00U | T | 92.5/39.8 |
| R107 | 7030010250 | S.RES ERJ1TYJ 0R00U | T | 92.5/27.2 |
| R120 | 7030010250 | S.RES ERJ1TYJ 0R00U | T | 149.9/59.8 |
| R131 | 7030003400 | S.RES ERJ3GEYJ 471 V (470) | T | 141.3/85.2 |
| R132 | 7030003860 | S.RES ERJ3GE JPW V | T | 148.3/84.3 |
| C1 | 4030017320 | S.CER GRM21BB11H104KA01L (GRM40-034) | T | 23.3/28 |
| C2 | 4030008960 | S.CER C2012 JB 1C 104K-T | T | 25.2/26.4 |
| C3 | 4030004720 | S.CER C2012 JB 1H 102K-T | T | 25.9/37.6 |
| C4 | 4030005110 | S.CER C2012 JB 1E 473K-T | T | 28.5/19.5 |
| C5 | 4030012490 | S.CER GRM31M1X2A472JZ01L (GRM42-6 SL) | T | 43.9/37.1 |
| C6 | 4030012490 | S.CER GRM31M1X2A472JZ01L (GRM42-6 SL) | T | 43.9/9 |
| C8 | 4030005110 | S.CER C2012 JB 1E 473K-T | T | 30.1/28.7 |
| C12 | 4030007130 | S.CER C1608 CH 1H 101J-T | T | 14.3/25.8 |
| C17 | 4030008920 | S.CER C1608 JB 1H 473K-T | T | 22.3/33.8 |
| C19 | 4030008920 | S.CER C1608 JB 1H 473K-T | T | 23.5/36.4 |
| C21 | 4030005110 | S.CER C2012 JB 1E 473K-T | T | 72.6/12.3 |
| C22 | 4030006860 | S.CER C1608 JB 1H 102K-T | T | 74.2/12.7 |
| C27 | 4510009250 | S.ELE EEEFK1C471P | T | 180.9/73.1 |
| C28 | 4030006880 | S.CER C1608 JB 1H 472K-T | T | 150.9/72 |
| C29 | 4030011600 | S.CER C1608 JB 1E 104K-T | T | 161.5/72 |
| C30 | 4030007170 | S.CER C1608 CH 1H 221J-T | T | 165.3/72 |
| C31 | 4030005110 | S.CER C2012 JB 1E 473K-T | T | 125.3/80.5 |
| C32 | 4510009250 | S.ELE EEEFK1C471P | T | 130.6/81.6 |
| C33 | 4030006880 | S.CER C1608 JB 1H 472K-T | T | 119.6/70.3 |
| C34 | 4030007170 | S.CER C1608 CH 1H 221J-T | T | 117.3/70.3 |
| C35 | 4030018980 | S.CER C1608 JB 1H 104K-T | T | 115/70.3 |
| C42 | 4510009250 | S.ELE EEEFK1C471P | T | 145.8/73.1 |
| C43 | 4030006880 | S.CER C1608 JB 1H 472K-T | T | 94.8/6.2 |
| C44 | 4030006880 | S.CER C1608 JB 1H 472K-T | T | 90/7.7 |
| C46 | 4030006880 | S.CER C1608 JB 1H 472K-T | T | 23.1/76.3 |
| C47 | 4030006880 | S.CER C1608 JB 1H 472K-T | T | 135.7/83 |
| C52 | 4030008920 | S.CER C1608 JB 1H 473K-T | T | 96/6.2 |
| C53 | 4030008920 | S.CER C1608 JB 1H 473K-T | T | 18.6/56 |
| C54 | 4030008920 | S.CER C1608 JB 1H 473K-T | T | 91.2/7.7 |
| C55 | 4030006880 | S.CER C1608 JB 1H 472K-T | T | 18.4/17.6 |
| C56 | 4030006860 | S.CER C1608 JB 1H 102K-T | T | 15.5/14.2 |
| C57 | 4030006880 | S.CER C1608 JB 1H 472K-T | T | 19.2/8.6 |
| C59 | 4510009250 | S.ELE EEEFK1C471P [EUR] | T | 81.2/72.6 |
| | 4510009250 | S.ELE EEEFK1C471P [FRA] | | |
| | 4510009250 | S.ELE EEEFK1C471P [ITR] | | |
| | 4510009250 | S.ELE EEEFK1C471P [ESP] | | |
| | 4510009250 | S.ELE EEEFK1C471P [EUR-01] | | |
| C60 | 4030004740 | S.CER C2012 JB 1H 472K-T [EUR] | T | 75.9/75.2 |
| | 4030004740 | S.CER C2012 JB 1H 472K-T [FRA] | | |
| | 4030004740 | S.CER C2012 JB 1H 472K-T [ITR] | | |
| | 4030004740 | S.CER C2012 JB 1H 472K-T [ESP] | | |
| | 4030004740 | S.CER C2012 JB 1H 472K-T [EUR-01] | | |
| C61 | 4030004740 | S.CER C2012 JB 1H 472K-T [EUR] | T | 75.9/69.8 |
| | 4030004740 | S.CER C2012 JB 1H 472K-T [FRA] | | |
| | 4030004740 | S.CER C2012 JB 1H 472K-T [ITR] | | |
| | 4030004740 | S.CER C2012 JB 1H 472K-T [ESP] | | |
| | 4030004740 | S.CER C2012 JB 1H 472K-T [EUR-01] | | |
| C62 | 4030018980 | S.CER C1608 JB 1H 104K-T [EUR] | T | 42.8/72.5 |
| | 4030018980 | S.CER C1608 JB 1H 104K-T [FRA] | | |
| | 4030018980 | S.CER C1608 JB 1H 104K-T [ITR] | | |
| | 4030018980 | S.CER C1608 JB 1H 104K-T [ESP] | | |
| | 4030018980 | S.CER C1608 JB 1H 104K-T [EUR-01] | | |
| C63 | 4560000170 | CER D67X5T 1E 684M51 (MARUWA) [EUR] | | |
| | 4560000170 | CER D67X5T 1E 684M51 (MARUWA) [FRA] | | |
| | 4560000170 | CER D67X5T 1E 684M51 (MARUWA) [ITR] | | |
| | 4560000170 | CER D67X5T 1E 684M51 (MARUWA) [ESP] | | |
| | 4560000170 | CER D67X5T 1E 684M51 (MARUWA) [EUR-01] | | |
| C66 | 4030018750 | S.CER C3225 CH 2J 682K-T | T | 95.6/43.8 |
| C67 | 4030018750 | S.CER C3225 CH 2J 682K-T | T | 95.6/23.2 |
| C71 | 4030011550 | S.CER GRM31M2C2H680JV01L (GRM42-6 CH) | T | 59.5/33.5 |
| C72 | 4030014460 | S.CER GRM31M2C2H820JV01L (GRM42-6 CH) | T | 57.4/33.5 |
| C73 | 4030018750 | S.CER C3225 CH 2J 682K-T | T | 103/17.9 |
| C74 | 4030018750 | S.CER C3225 CH 2J 682K-T | T | 103/49 |
| C77 | 4030006880 | S.CER C1608 JB 1H 472K-T | T | 21.9/76.3 |
| C78 | 4030006860 | S.CER C1608 JB 1H 102K-T | T | 16.2/75.8 |
| C79 | 4030006880 | S.CER C1608 JB 1H 472K-T | T | 9.8/85.7 |
| C80 | 4030006880 | S.CER C1608 JB 1H 472K-T | T | 8.6/83.1 |
| C81 | 4030018530 | S.CER C3216 CH 1H 103J-T | T | 41/37.8 |
| C82 | 4030018530 | S.CER C3216 CH 1H 103J-T | T | 41/11.4 |
| C83 | 4030008920 | S.CER C1608 JB 1H 473K-T | T | 37.5/7.8 |
| C84 | 4030008920 | S.CER C1608 JB 1H 473K-T | T | 38.3/37.1 |
| C85 | 4030008920 | S.CER C1608 JB 1H 473K-T | T | 83.3/11.9 |
| C86 | 4030008920 | S.CER C1608 JB 1H 473K-T | T | 83.2/55.1 |
| C87 | 4030011600 | S.CER C1608 JB 1E 104K-T | T | 22/58.6 |
| C88 | 4030011600 | S.CER C1608 JB 1E 104K-T | T | 17.2/64.4 |

[PA UNIT]

| REF NO. | PARTS NO. | DESCRIPTION | M. | H/V LOCATION |
|---------|------------|---------------------------------------|----|--------------|
| C89 | 4030011600 | S.CER C1608 JB 1E 104K-T | T | 17.2/68.1 |
| C90 | 4030011600 | S.CER C1608 JB 1E 104K-T | T | 16.2/71.8 |
| C91 | 4030011600 | S.CER C1608 JB 1E 104K-T | T | 19.8/75.8 |
| C92 | 4030011600 | S.CER C1608 JB 1E 104K-T | T | 17.4/75.8 |
| C93 | 4030011600 | S.CER C1608 JB 1E 104K-T | T | 29.1/79.2 |
| C94 | 4030011600 | S.CER C1608 JB 1E 104K-T | T | 16.9/20.8 |
| C97 | 4030006880 | S.CER C1608 JB 1H 472K-T | T | 18.6/75.8 |
| C100 | 4030011600 | S.CER C1608 JB 1E 104K-T | T | 82.1/11.9 |
| C101 | 4030011600 | S.CER C1608 JB 1E 104K-T | T | 81.9/55.1 |
| C102 | 4030018960 | S.CER C3216 JB 1C 106MT-FN | T | 8.2/42.9 |
| C103 | 4030018960 | S.CER C3216 JB 1C 106MT-FN | T | 8.2/38 |
| C104 | 4030011600 | S.CER C1608 JB 1E 104K-T | T | 10/42.6 |
| C105 | 4030011600 | S.CER C1608 JB 1E 104K-T | T | 10/38.3 |
| C106 | 4030011730 | S.CER GRM31M2C2H101JV01L (GRM42-6 CH) | T | 85/42.6 |
| C107 | 4030011730 | S.CER GRM31M2C2H101JV01L (GRM42-6 CH) | T | 85/24.4 |
| C111 | 4030011550 | S.CER GRM31M2C2H680JV01L (GRM42-6 CH) | T | 134.8/57.9 |
| C112 | 4030011550 | S.CER GRM31M2C2H680JV01L (GRM42-6 CH) | T | 134.8/9 |
| C113 | 4030011740 | S.CER GRM32N2C2H201JV01L (GRM42-2 CH) | T | 144.1/33.5 |
| C114 | 4030011740 | S.CER GRM32N2C2H201JV01L (GRM42-2 CH) | T | 140.9/33.5 |
| C115 | 4030011740 | S.CER GRM32N2C2H201JV01L (GRM42-2 CH) | T | 137.7/33.5 |
| C116 | 4030011740 | S.CER GRM32N2C2H201JV01L (GRM42-2 CH) | T | 134.5/33.5 |
| C121 | 4030011600 | S.CER C1608 JB 1E 104K-T | T | 9.2/20.8 |
| C122 | 4510009250 | S.ELE EEEFK1C471P | T | 155.9/73.1 |
| C123 | 4510009250 | S.ELE EEEFK1C471P | T | 171.7/73.1 |
| C124 | 4510009250 | S.ELE EEEFK1C471P | T | 120/81.6 |
| C125 | 4030011600 | S.CER C1608 JB 1E 104K-T | T | 24.3/76.3 |
| C130 | 4030011600 | S.CER C1608 JB 1E 104K-T | T | 22/56 |
| C131 | 4030006880 | S.CER C1608 JB 1H 472K-T | T | 36.3/78.3 |
| C132 | 4030011600 | S.CER C1608 JB 1E 104K-T | T | 146.2/80.8 |
| C133 | 4030018960 | S.CER C3216 JB 1C 106MT-FN | T | 147.9/80.1 |
| C134 | 4030006880 | S.CER C1608 JB 1H 472K-T | T | 140.1/85.2 |
| RL1 | 6330001600 | REL ALD 112 | | |
| J4 | 6510024151 | S.CON 50FY-BMT-TB(LF)(SN) | T | 25.2/83.9 |
| J8 | 6510007020 | CON TMP-J01X-V6 | | |
| J9 | 6510007020 | CON TMP-J01X-V6 | | |
| J13 1 | 6510014961 | S.CON B2B-ZR-SM4-TF(LF)(SN) | T | 151.1/82.7 |
| J132 | 6510014961 | S.CON B2B-ZR-SM4-TF(LF)(SN) | T | 157.2/82.7 |
| F1 | 5220000400 | HOL FHA010-01F | | |
| F2 | 5210000940 | FUS 1205 | | |
| W40 | 8900018211 | CAB OPC-1942A [USA] | | |
| | 8900018220 | CAB OPC-1943 [EUR] | | |
| | 8900018220 | CAB OPC-1943 [FRA] | | |
| | 8900018220 | CAB OPC-1943 [ITR] | | |
| | 8900018220 | CAB OPC-1943 [ESP] | | |
| | 8900018220 | CAB OPC-1943 [EUR-01] | | |
| | 8900017860 | CAB OPC-1857 [KOR] | | |
| | 8900017860 | CAB OPC-1857 [CHN] | | |
| | 8900017860 | CAB OPC-1857 [EXP] | | |
| EP1 | 6910019200 | S.BEA N2012ZPS121T50 | T | 71.4/19.4 |
| EP2 | 6910019200 | S.BEA N2012ZPS121T50 | T | 71.4/16.1 |
| EP6 | 6910012350 | S.BEA MMZ1608Y 102BT | T | 19/21.6 |
| EP8 | 6910019200 | S.BEA N2012ZPS121T50 | T | 70.8/12.3 |
| EP11 | 6910012350 | S.BEA MMZ1608Y 102BT | T | 24.3/80 |
| EP12 | 6910019200 | S.BEA N2012ZPS121T50 | T | 26.3/79.4 |
| EP21 | 6910012350 | S.BEA MMZ1608Y 102BT | T | 9.8/83.1 |
| EP26 | 6910018930 | S.BEA MPZ2012S601A | T | 22/8.8 |
| EP27 | 6910018930 | S.BEA MPZ2012S601A | T | 28.5/7.5 |

M.=Mounted side (T: Mounted on the Top side, B: Mounted on the Bottom side)
S.=Surface mount

[FILTER UNIT]

| REF NO. | PARTS NO. | DESCRIPTION | M. | H/V LOCATION |
|---------|------------|---------------------------------------|----|--------------|
| Q149 | 1590001960 | S.TRA XP4311(TX) | T | 87.6/70.7 |
| Q150 | 1590001960 | S.TRA XP4311(TX) | T | 78.2/83.6 |
| Q151 | 1590001960 | S.TRA XP4311(TX) | T | 83.3/83.7 |
| Q152 | 1590001960 | S.TRA XP4311(TX) | T | 85.8/34.9 |
| Q153 | 1590001960 | S.TRA XP4311(TX) | T | 85.8/23.7 |
| Q154 | 1590001960 | S.TRA XP4311(TX) | T | 85.8/59.4 |
| Q158 | 1590001960 | S.TRA XP4311(TX) | T | 86/48.8 |
| D21 | 1790001250 | S.DIO MA2S111-(TX) 0 | T | 86.1/52 |
| D41 | 1790001250 | S.DIO MA2S111-(TX) 0 | T | 86.1/16 |
| D61 | 1790001250 | S.DIO MA2S111-(TX) 0 | T | 86.1/26.5 |
| D81 | 1790001250 | S.DIO MA2S111-(TX) 0 | T | 86.1/77.4 |
| D101 | 1790001250 | S.DIO MA2S111-(TX) 0 | T | 72.3/83.6 |
| D121 | 1790001250 | S.DIO MA2S111-(TX) 0 | T | 86.5/61.7 |
| D147 | 1790001250 | S.DIO MA2S111-(TX) 0 | T | 86.1/40.1 |
| L21 | 6140001990 | COI LR-226 (T68-2) | | |
| L22 | 6140002000 | COI LR-227 (T68-2) | | |
| L23 | 6200005051 | S.COI NLV25T-330J | T | 86.7/55 |
| L24 | 6200005051 | S.COI NLV25T-330J | T | 10.3/63.9 |
| L41 | 6140001240 | COI LR-149 (T68-2) | | |
| L42 | 6140001130 | COI LR-138 (T68-2) | | |
| L43 | 6200005051 | S.COI NLV25T-330J | T | 86.7/19 |
| L44 | 6200005051 | S.COI NLV25T-330J | T | 2.4/17.6 |
| L61 | 6140001800 | COI LR-216 (T50-2) | | |
| L62 | 6140001800 | COI LR-216 (T50-2) | | |
| L63 | 6200005051 | S.COI NLV25T-330J | T | 86.7/29.5 |
| L64 | 6140001800 | COI LR-216 (T50-2) | | |
| L65 | 6200005051 | S.COI NLV25T-330J | T | 4.6/31.8 |
| L81 | 6140004770 | COI LR-537 | | |
| L82 | 6140004750 | COI LR-535 | | |
| L83 | 6200005051 | S.COI NLV25T-330J | T | 86.7/80.4 |
| L84 | 6140001810 | COI LR-217 (T50-10) | | |
| L85 | 6200005051 | S.COI NLV25T-330J | T | 3/79.4 |
| L101 | 6110002910 | COI LA-480 | | |
| L102 | 6110002920 | COI LA-481 | | |
| L103 | 6200005011 | S.COI NLV25T-100J | T | 73.6/86.2 |
| L104 | 6200005011 | S.COI NLV25T-100J | T | 9.1/81.2 |
| L121 | 6110002900 | COI LA-479 | | |
| L122 | 6110002890 | COI LA-478 | | |
| L123 | 6200005011 | S.COI NLV25T-100J | T | 86.7/65.2 |
| L124 | 6200005011 | S.COI NLV25T-100J | T | 11.9/68.2 |
| L141 | 6110003540 | COI LA-548 (LA-215A) | | |
| L142 | 6110003570 | COI LA-550 | | |
| L143 | 6110003550 | COI LA-547 (LA-214A) | | |
| L144 | 6200002861 | S.COI NLV25T-4R7J | T | 86.7/43.1 |
| L145 | 6200002861 | S.COI NLV25T-4R7J | T | 4.8/49.8 |
| R21 | 7030003340 | S.RES ERJ3GEYJ 151 V (150) | T | 85.9/57.5 |
| R41 | 7030003340 | S.RES ERJ3GEYJ 151 V (150) | T | 85.9/21.8 |
| R61 | 7030003340 | S.RES ERJ3GEYJ 151 V (150) | T | 85.9/33 |
| R81 | 7030003340 | S.RES ERJ3GEYJ 151 V (150) | T | 85.8/82.8 |
| R101 | 7030003340 | S.RES ERJ3GEYJ 151 V (150) | T | 76/83.7 |
| R121 | 7030003340 | S.RES ERJ3GEYJ 151 V (150) | T | 86.7/68.2 |
| R141 | 7030003340 | S.RES ERJ3GEYJ 151 V (150) | T | 84.6/46.3 |
| C21 | 4030008920 | S.CER C1608 JB 1H 473K-T | T | 7/63.4 |
| C22 | 4030008920 | S.CER C1608 JB 1H 473K-T | T | 87.3/52 |
| C23 | 4010007510 | CER HM11SJ SL 821J 500V 1 | | |
| C24 | 4320001050 | S.MIC UC342H 3900J-T | T | 30.1/49 |
| C26 | 4010007510 | CER HM11SJ SL 821J 500V 1 | | |
| C27 | 4030012480 | S.CER GRM31M2C2H121JV01L (GRM42-6 CH) | T | 60.6/59.1 |
| C28 | 4010007510 | CER HM11SJ SL 821J 500V 1 | | |
| C29 | 4010007590 | CER HM15SJ SL 681J 500V 1 | | |
| C30 | 4010007510 | CER HM11SJ SL 821J 500V 1 | | |
| C31 | 4010007510 | CER HM11SJ SL 821J 500V 1 | | |
| C32 | 4010007590 | CER HM15SJ SL 681J 500V 1 | | |
| C33 | 4030006880 | S.CER C1608 JB 1H 472K-T | T | 88.6/55.3 |
| C34 | 4010005930 | CER HM11SJ SL 391J 500V 1 | | |
| C35 | 4030012480 | S.CER GRM31M2C2H121JV01L (GRM42-6 CH) | T | 41.4/47.8 |
| C36 | 4010007510 | CER HM11SJ SL 821J 500V 1 | | |
| C37 | 4030011730 | S.CER GRM31M2C2H101JV01L (GRM42-6 CH) | T | 27.2/50 |
| C38 | 4030011550 | S.CER GRM31M2C2H680JV01L (GRM42-6 CH) | T | 25.1/50 |
| C41 | 4030008920 | S.CER C1608 JB 1H 473K-T | T | 4.6/17.3 |
| C42 | 4030008920 | S.CER C1608 JB 1H 473K-T | T | 87.3/16 |
| C44 | 4010005360 | CER HM11SJ SL 301J 500V 1 | | |
| C45 | 4010005360 | CER HM11SJ SL 301J 500V 1 | | |
| C46 | 4010005930 | CER HM11SJ SL 391J 500V 1 | | |
| C47 | 4010005370 | CER HM11SJ SL 331J 500V 1 | | |
| C48 | 4030011730 | S.CER GRM31M2C2H101JV01L (GRM42-6 CH) | T | 57.8/81 |
| C49 | 4010005850 | CER HM95SJ SL 181J 500V 1 | | |
| C50 | 4010005930 | CER HM11SJ SL 391J 500V 1 | | |
| C51 | 4030011240 | S.CER GRM31M2C2H470JV01L (GRM42-6 CH) | T | 71.3/6.8 |
| C52 | 4010005370 | CER HM11SJ SL 331J 500V 1 | | |
| C53 | 4010005370 | CER HM11SJ SL 331J 500V 1 | | |
| C54 | 4030006880 | S.CER C1608 JB 1H 472K-T | T | 88.6/19.3 |
| C56 | 4030011180 | S.CER GRM31M2C2H220JV01L (GRM42-6 CH) | T | 41.2/5.3 |

[FILTER UNIT]

| REF NO. | PARTS NO. | DESCRIPTION | M. | H/V LOCATION |
|---------|------------|---------------------------------------|----|--------------|
| C61 | 4030008920 | S.CER C1608 JB 1H 473K-T | T | 2.5/29.8 |
| C62 | 4030008920 | S.CER C1608 JB 1H 473K-T | T | 87.3/26.5 |
| C63 | 4010005930 | CER HM11SJ SL 391J 500V 1 | | |
| C65 | 4030011730 | S.CER GRM31M2C2H101JV01L (GRM42-6 CH) | T | 15.8/21.1 |
| C66 | 4030011550 | S.CER GRM31M2C2H680JV01L (GRM42-6 CH) | T | 17.9/21.1 |
| C67 | 4010007490 | CER HM15SJ SL 561J 500V 1 | | |
| C68 | 4030012480 | S.CER GRM31M2C2H121JV01L (GRM42-6 CH) | T | 33/23.2 |
| C69 | 4030012480 | S.CER GRM31M2C2H121JV01L (GRM42-6 CH) | T | 35.1/20.5 |
| C70 | 4010007590 | CER HM15SJ SL 681J 500V 1 | | |
| C71 | 4030011730 | S.CER GRM31M2C2H101JV01L (GRM42-6 CH) | T | 56.1/23.9 |
| C72 | 4030006880 | S.CER C1608 JB 1H 472K-T | T | 88.6/29.8 |
| C74 | 4030011230 | S.CER GRM31M2C2H390JV01L (GRM42-6 CH) | T | 56.8/18.7 |
| C76 | 4030011180 | S.CER GRM31M2C2H220JV01L (GRM42-6 CH) | T | 71/23.3 |
| C77 | 4010005880 | CER HM95SJ SL 271J 500V 1 | | |
| C81 | 4030008920 | S.CER C1608 JB 1H 473K-T | T | 3.6/76.4 |
| C82 | 4030008920 | S.CER C1608 JB 1H 473K-T | T | 87.3/77.4 |
| C83 | 4010005860 | CER HM95SJ SL 201J 500V 1 | | |
| C84 | 4030011730 | S.CER GRM31M2C2H101JV01L (GRM42-6 CH) | T | 30.2/78.3 |
| C85 | 4030014460 | S.CER GRM31M2C2H820JV01L (GRM42-6 CH) | T | 50.8/74.7 |
| C86 | 4010005830 | CER HM74SJ SL 151J 500V 1 | | |
| C88 | 4030014460 | S.CER GRM31M2C2H820JV01L (GRM42-6 CH) | T | 72.1/73.6 |
| C89 | 4030006880 | S.CER C1608 JB 1H 472K-T | T | 88.6/80.7 |
| C90 | 4030011080 | S.CER GRM31M2C2H6R0DV01L (GRM42-6 CH) | T | 31.9/76.1 |
| C92 | 4030011230 | S.CER GRM31M2C2H390JV01L (GRM42-6 CH) | T | 50.8/79.6 |
| C101 | 4030006880 | S.CER C1608 JB 1H 472K-T | T | 10.1/83.7 |
| C102 | 4030006880 | S.CER C1608 JB 1H 472K-T | T | 73.5/83.6 |
| C103 | 4030011730 | S.CER GRM31M2C2H101JV01L (GRM42-6 CH) | T | 26.1/91.3 |
| C104 | 4030011510 | S.CER GRM31M2C2H560JV01L (GRM42-6 CH) | T | 31.8/91.3 |
| C105 | 4030012480 | S.CER GRM31M2C2H121JV01L (GRM42-6 CH) | T | 50.7/88.2 |
| C106 | 4030011170 | S.CER GRM31M2C2H180JV01L (GRM42-6 CH) | T | 50.7/93.1 |
| C107 | 4030011730 | S.CER GRM31M2C2H101JV01L (GRM42-6 CH) | T | 64.3/87.9 |
| C108 | 4030006880 | S.CER C1608 JB 1H 472K-T | T | 76.6/85.7 |
| C109 | 4030012480 | S.CER GRM31M2C2H121JV01L (GRM42-6 CH) | T | 48.4/88.2 |
| C110 | 4030011170 | S.CER GRM31M2C2H180JV01L (GRM42-6 CH) | T | 24/91.3 |
| C111 | 4030011140 | S.CER GRM31M2C2H120JV01L (GRM42-6 CH) | T | 29.7/88.2 |
| C121 | 4030006880 | S.CER C1608 JB 1H 472K-T | T | 11.7/65.8 |
| C122 | 4030006880 | S.CER C1608 JB 1H 472K-T | T | 86.4/62.9 |
| C123 | 4030011100 | S.CER GRM31M2C2H8R0DV01L (GRM42-6 CH) | T | 67.5/62.2 |
| C124 | 4030011140 | S.CER GRM31M2C2H120JV01L (GRM42-6 CH) | T | 45.1/72.2 |
| C126 | 4030011210 | S.CER GRM31M2C2H330JV01L (GRM42-6 CH) | T | 67.5/68.1 |
| C127 | 4030011550 | S.CER GRM31M2C2H680JV01L (GRM42-6 CH) | T | 69.8/64.4 |
| C128 | 4030011180 | S.CER GRM31M2C2H220JV01L (GRM42-6 CH) | T | 33.9/66.2 |
| C129 | 4030006880 | S.CER C1608 JB 1H 472K-T | T | 88.6/65.5 |
| C130 | 4030011510 | S.CER GRM31M2C2H560JV01L (GRM42-6 CH) | T | 31.8/66.2 |
| C132 | 4030011730 | S.CER GRM31M2C2H101JV01L (GRM42-6 CH) | T | 50.2/68.7 |
| C133 | 4030011730 | S.CER GRM31M2C2H101JV01L (GRM42-6 CH) | T | 52.3/68.7 |
| C143 | 4030011240 | S.CER GRM31M2C2H470JV01L (GRM42-6 CH) | T | 28.7/30.1 |
| C145 | 4030011080 | S.CER GRM31M2C2H6R0DV01L (GRM42-6 CH) | T | 25.2/31.6 |
| C146 | 4030011230 | S.CER GRM31M2C2H390JV01L (GRM42-6 CH) | T | 30.8/30.1 |
| C147 | 4030011180 | S.CER GRM31M2C2H220JV01L (GRM42-6 CH) | T | 37.4/38.2 |
| C148 | 4030011510 | S.CER GRM31M2C2H560JV01L (GRM42-6 CH) | T | 56.1/28.8 |
| C149 | 4030011140 | S.CER GRM31M2C2H120JV01L (GRM42-6 CH) | T | 66.4/35.5 |
| C150 | 4030011210 | S.CER GRM31M2C2H330JV01L (GRM42-6 CH) | T | 54/28.8 |
| C151 | 4030011180 | S.CER GRM31M2C2H220JV01L (GRM42-6 CH) | T | 71.9/35.5 |
| C152 | 4030011080 | S.CER GRM31M2C2H6R0DV01L (GRM42-6 CH) | T | 74/35.5 |
| C153 | 4030011160 | S.CER GRM31M2C2H150JV01L (GRM42-6 CH) | T | 18/34.9 |
| C154 | 4030011060 | S.CER GRM31M2C2H4R0CY21L (GRM42-6 CH) | T | 68.5/35.5 |
| C156 | 4030006880 | S.CER C1608 JB 1H 472K-T | T | 87.3/40.1 |
| C157 | 4030006880 | S.CER C1608 JB 1H 472K-T | T | 4/47.4 |

M.=Mounted side (T: Mounted on the Top side, B: Mounted on the Bottom side)
S.=Surface mount

[FILTER UNIT]

| REF NO. | PARTS NO. | DESCRIPTION | M. | H/V LOCATION |
|---------|------------|--------------------------|----|--------------|
| C158 | 4030006880 | S.CER C1608 JB 1H 472K-T | T | 86.5/45.6 |
| C159 | 4030006860 | S.CER C1608 JB 1H 102K-T | T | 79/94.4 |
| C160 | 4030006860 | S.CER C1608 JB 1H 102K-T | T | 82.6/94.4 |
| C161 | 4030006860 | S.CER C1608 JB 1H 102K-T | T | 81.4/94.4 |
| C162 | 4030006860 | S.CER C1608 JB 1H 102K-T | T | 76.6/94.4 |
| C163 | 4030006860 | S.CER C1608 JB 1H 102K-T | T | 75.3/94.4 |
| C164 | 4030006860 | S.CER C1608 JB 1H 102K-T | T | 77.8/94.4 |
| C165 | 4030006860 | S.CER C1608 JB 1H 102K-T | T | 80.2/94.4 |
| C166 | 4030006860 | S.CER C1608 JB 1H 102K-T | T | 86.5/86.7 |
| C167 | 4030006880 | S.CER C1608 JB 1H 472K-T | T | 4/52.2 |
| RL21 | 6330001721 | REL ATN207-K1 | | |
| RL22 | 6330001721 | REL ATN207-K1 | | |
| RL41 | 6330001721 | REL ATN207-K1 | | |
| RL42 | 6330001721 | REL ATN207-K1 | | |
| RL61 | 6330001721 | REL ATN207-K1 | | |
| RL62 | 6330001721 | REL ATN207-K1 | | |
| RL81 | 6330001721 | REL ATN207-K1 | | |
| RL82 | 6330001721 | REL ATN207-K1 | | |
| RL101 | 6330001721 | REL ATN207-K1 | | |
| RL102 | 6330001721 | REL ATN207-K1 | | |
| RL121 | 6330001721 | REL ATN207-K1 | | |
| RL122 | 6330001721 | REL ATN207-K1 | | |
| RL141 | 6330001721 | REL ATN207-K1 | | |
| RL142 | 6330001721 | REL ATN207-K1 | | |
| J9 | 6510007020 | CON TMP-J01X-V6 | | |
| J10 | 6510007020 | CON TMP-J01X-V6 | | |
| J11 | 6510019971 | S.CON 52808-1071 | T | 80.5/89.2 |

[FRONT UNIT]

| REF NO. | PARTS NO. | DESCRIPTION | M. | H/V LOCATION |
|---------|------------|----------------------------------|----|--------------|
| SP1 | 2510001480 | SPE 4050P0802 <FG> | | |
| W1 | 8900014720 | CAB OPC-909A (P1,N10,L110) <TJM> | | |
| W2 | 8900014740 | CAB OPC-885A (P1,N10,L39) <TJM> | | |
| W3 | 8900014740 | CAB OPC-885A (P1,N10,L39) <TJM> | | |
| W4 | 8900018190 | CAB OPC-1892A [USA] | | |
| | 8900018200 | CAB OPC-1941 [EUR] | | |
| | 8900018200 | CAB OPC-1941 [FRA] | | |
| | 8900018200 | CAB OPC-1941 [ITR] | | |
| | 8900018200 | CAB OPC-1941 [ESP] | | |
| | 8900018200 | CAB OPC-1941 [EUR-01] | | |
| | 8900018190 | CAB OPC-1892A [KOR] | | |
| | 8900018190 | CAB OPC-1892A [CHN] | | |
| | 8900018190 | CAB OPC-1892A [EXP] | | |
| EP1 | 0880001360 | UNI EX-2500 #02 SENSOR | | |
| EP3 | 6450001230 | E.O HLJ0999-01-480 2 | | |

M.=Mounted side (T: Mounted on the Top side, B: Mounted on the Bottom side)
S.=Surface mount

[LOGIC UNIT]

| REF NO. | PARTS NO. | DESCRIPTION | M. | H/V LOCATION |
|---------|------------|----------------------------------|------------|--------------|
| IC1 | 1140015270 | S.IC M30302MAP-293GP(SX-3015A-3) | B | 61.6/48.2 |
| IC2 | 1130012430 | S.IC S-24CS64A01-T8T1G | B | 97.2/33.1 |
| IC3 | 1110006260 | S.IC BD5242G-TR | B | 10.3/64.3 |
| IC5 | 1180000421 | S.IC TA78L05F(TE12R,F) | B | 50/13.3 |
| IC6 | 1180001071 | S.IC TA7805F(TE16L,Q) | B | 171.5/48.1 |
| IC7 | 1130013580 | S.IC LC75813T-E | B | 97.5/50.5 |
| IC100 | 1180002080 | S.REG BA09FP-E2 | B | 161.2/62.7 |
| IC101 | 1180001071 | S.IC TA7805F(TE16L,Q) | B | 130.6/59.3 |
| IC103 | 1130005721 | S.IC TC7W04F(TE12L,F) | T | 69.9/25.2 |
| IC1071 | 1110001811 | S.IC TA7368FG(5,ER) | T | 130/5.9 |
| Q1 | 1590000680 | S.TRA DTC114EUA T106 | B | 174.6/16 |
| Q51 | 1560001290 | S.FET 2SK3065 T100 | B | 71.2/5.7 |
| Q70 | 1540000441 | S.TRA 2SD1619T-TD-E | B | 151.7/41.7 |
| Q71 | 1590000680 | S.TRA DTC114EUA T106 | B | 158.8/43.9 |
| Q72 | 1590000680 | S.TRA DTC114EUA T106 | B | 158.8/41.4 |
| Q102 | 1590001650 | S.TRA XP4601(TX) | T | 71.1/19.5 |
| Q103 | 1590000680 | S.TRA DTC114EUA T106 | T | 41.7/32 |
| Q104 | 1590000680 | S.TRA DTC114EUA T106 | T | 36.6/25.9 |
| Q106 | 1590001330 | S.TRA DTA114EUA T106 | T | 33.6/35.1 |
| Q211 | 1530002060 | S.TRA 2SC4081 T106 R | B | 19.1/36 |
| Q212 | 1590001330 | S.TRA DTA114EUA T106 | T | 39.3/26.7 |
| D1 | 1160000070 | S.DIO DAN202K T146 | B | 22/26.3 |
| D2 | 1790001250 | S.DIO MA2S111-(TX) | B | 50.2/34.4 |
| D30 | 1790001250 | S.DIO MA2S111-(TX) | T | 142/55 |
| D31 | 1160000070 | S.DIO DAN202K T146 | T | 160.2/55.2 |
| D32 | 1790001250 | S.DIO MA2S111-(TX) | T | 142/51 |
| D33 | 1160000070 | S.DIO DAN202K T146 | T | 160.2/46.2 |
| D34 | 1790001250 | S.DIO MA2S111-(TX) | T | 142/37 |
| D35 | 1160000070 | S.DIO DAN202K T146 | T | 160.2/37.2 |
| D36 | 1790001250 | S.DIO MA2S111-(TX) | T | 142/28 |
| D37 | 1160000070 | S.DIO DAN202K T146 | T | 160.2/28.2 |
| D38 | 1790001250 | S.DIO MA2S111-(TX) | T | 141/64.2 |
| D39 | 1160000070 | S.DIO DAN202K T146 | T | 154.5/64.4 |
| D40 | 1790001250 | S.DIO MA2S111-(TX) | T | 142.1/17.3 |
| D41 | 1790001250 | S.DIO MA2S111-(TX) | T | 143.4/17.3 |
| D42 | 1160000070 | S.DIO DAN202K T146 | T | 79.2/23.2 |
| D43 | 1790001250 | S.DIO MA2S111-(TX) | T | 82.7/13.4 |
| D44 | 1790001250 | S.DIO MA2S111-(TX) | T | 76.2/22.8 |
| D45 | 1790001250 | S.DIO MA2S111-(TX) | B | 45.7/29.3 |
| D46 | 1730002531 | S.ZEN NNCD6.2G-T1-A | B | 139.3/21 |
| D47 | 1790001250 | S.DIO MA2S111-(TX) | B | 31.8/33.9 |
| D48 | 1790001250 | S.DIO MA2S111-(TX) | [ITR] B | 123.6/33.2 |
| | 1790001250 | S.DIO MA2S111-(TX) | [ESP] B | |
| | 1790001250 | S.DIO MA2S111-(TX) | [EUR-01] B | |
| D49 | 1790001250 | S.DIO MA2S111-(TX) | B | 123.6/31.9 |
| D50 | 1790001250 | S.DIO MA2S111-(TX) | [USA] B | 123.6/30.6 |
| | 1790001250 | S.DIO MA2S111-(TX) | [EUR-01] B | |
| | 1790001250 | S.DIO MA2S111-(TX) | [CHN] B | |
| | 1790001250 | S.DIO MA2S111-(TX) | [EXP] B | |
| D51 | 1790001250 | S.DIO MA2S111-(TX) | [ESP] B | 123.6/29.3 |
| | 1790001250 | S.DIO MA2S111-(TX) | [EUR-01] B | |
| | 1790001250 | S.DIO MA2S111-(TX) | [KOR] B | |
| D52 | 1790001250 | S.DIO MA2S111-(TX) | [ESP] B | 123.6/28 |
| | 1790001250 | S.DIO MA2S111-(TX) | [EUR-01] B | |
| D53 | 1790001250 | S.DIO MA2S111-(TX) | B | 123.6/26.7 |
| D54 | 1790001250 | S.DIO MA2S111-(TX) | [USA] B | 123.6/25.4 |
| | 1790001250 | S.DIO MA2S111-(TX) | [EUR-01] B | |
| | 1790001250 | S.DIO MA2S111-(TX) | [CHN] B | |
| | 1790001250 | S.DIO MA2S111-(TX) | [EXP] B | |
| D55 | 1790001250 | S.DIO MA2S111-(TX) | [ESP] B | 123.6/24.1 |
| | 1790001250 | S.DIO MA2S111-(TX) | [EUR-01] B | |
| | 1790001250 | S.DIO MA2S111-(TX) | [KOR] B | |
| D56 | 1160000070 | S.DIO DAN202K T146 | B | 22/32.4 |
| D57 | 1790001250 | S.DIO MA2S111-(TX) | [USA] B | 119.3/31.8 |
| | 1790001250 | S.DIO MA2S111-(TX) | [EUR-01] B | |
| | 1790001250 | S.DIO MA2S111-(TX) | [KOR] B | |
| | 1790001250 | S.DIO MA2S111-(TX) | [CHN] B | |
| | 1790001250 | S.DIO MA2S111-(TX) | [EXP] B | |
| D58 | 1790001250 | S.DIO MA2S111-(TX) | B | 119.2/30.6 |
| D59 | 1790001250 | S.DIO MA2S111-(TX) | B | 119.2/29.3 |
| D61 | 1790001250 | S.DIO MA2S111-(TX) | B | 119.2/26.7 |
| D62 | 1790001250 | S.DIO MA2S111-(TX) | B | 119.2/25.4 |
| D63 | 1790001250 | S.DIO MA2S111-(TX) | B | 119.2/24.1 |
| D64 | 1790001250 | S.DIO MA2S111-(TX) | B | 116.6/24.1 |
| D80 | 1730002320 | S.ZEN MA8051-M(TX) | B | 159.3/38.6 |
| D81 | 1790001250 | S.DIO MA2S111-(TX) | B | 157.7/39 |
| D102 | 1790001250 | S.DIO MA2S111-(TX) | T | 73/18.1 |
| D104 | 1750000370 | S.DIO DA221 TL | T | 33.4/27.3 |
| D120 | 1750000370 | S.DIO DA221 TL | T | 35.8/43.9 |
| D121 | 1750000370 | S.DIO DA221 TL | T | 35.8/45.9 |
| D122 | 1750000370 | S.DIO DA221 TL | T | 35.3/38.6 |
| D123 | 1750000370 | S.DIO DA221 TL | T | 35.8/41.9 |
| D124 | 1750000370 | S.DIO DA221 TL | T | 35.6/29.5 |
| D125 | 1750000370 | S.DIO DA221 TL | T | 38.5/34.7 |
| D126 | 1750000370 | S.DIO DA221 TL | B | 30.2/31.5 |
| D180 | 1750000370 | S.DIO DA221 TL | T | 37.8/29.9 |
| D194 | 1750000370 | S.DIO DA221 TL | B | 27.2/32.6 |
| D211 | 1790001250 | S.DIO MA2S111-(TX) | B | 21.7/38.5 |
| X1 | 6050010501 | S.XTA CR-636A SMD-49 14.7456 MHz | B | 64.6/62.4 |
| L1 | 6200003261 | S.COI NLV32T-101J | B | 45.9/33 |
| L2 | 6200003261 | S.COI NLV32T-101J | B | 80.8/45.9 |
| L3 | 6200002041 | S.COI NLV25T-101J | B | 69.6/36.3 |

[LOGIC UNIT]

| REF NO. | PARTS NO. | DESCRIPTION | M. | H/V LOCATION |
|---------|------------|-----------------------------|----|--------------|
| L40 | 6200003261 | S.COI NLV32T-101J | B | 136.8/17.4 |
| L41 | 6200002041 | S.COI NLV25T-101J | B | 56.2/5.7 |
| L42 | 6200002041 | S.COI NLV25T-101J | B | 56.2/3.2 |
| L70 | 6200003261 | S.COI NLV32T-101J | T | 30.1/35.7 |
| L100 | 6200003261 | S.COI NLV32T-101J | T | 67.8/29.5 |
| L105 | 6200003261 | S.COI NLV32T-101J | B | 160.8/27.6 |
| L1073 | 6200003261 | S.COI NLV32T-101J | B | 123.7/36.5 |
| R1 | 7030003860 | S.RES ERJ3GE JPW V | B | 86.9/48.9 |
| R2 | 7030003630 | S.RES ERJ3GEYJ 393 V (39K) | B | 86.9/51.5 |
| R3 | 7030003630 | S.RES ERJ3GEYJ 393 V (39K) | B | 86.9/54.2 |
| R4 | 7030003630 | S.RES ERJ3GEYJ 393 V (39K) | B | 85.1/54.7 |
| R5 | 7030005671 | S.RES ERA3YKD 393V (39K) | B | 85.2/58.8 |
| R6 | 7030003680 | S.RES ERJ3GEYJ 104 V (100K) | B | 85.2/60.1 |
| R7 | 7030003440 | S.RES ERJ3GEYJ 102 V (1K) | B | 170.4/16.2 |
| R18 | 7030006220 | S.RES ERJ12YJ470U (47) | B | 45.7/13.5 |
| R19 | 7030010250 | S.RES ERJ1TYJ 0R00U | B | 159.8/49.9 |
| R20 | 7030003640 | S.RES ERJ3GEYJ 473 V (47K) | B | 17.9/63.9 |
| R21 | 7030003630 | S.RES ERJ3GEYJ 393 V (39K) | B | 13.9/63.5 |
| R22 | 7030003560 | S.RES ERJ3GEYJ 103 V (10K) | B | 13.9/65.4 |
| R24 | 7030003560 | S.RES ERJ3GEYJ 103 V (10K) | B | 96.4/29.3 |
| R25 | 7030003600 | S.RES ERJ3GEYJ 223 V (22K) | B | 96.4/30.6 |
| R31 | 7030003640 | S.RES ERJ3GEYJ 473 V (47K) | B | 50.2/33.1 |
| R36 | 7030003640 | S.RES ERJ3GEYJ 473 V (47K) | T | 143.3/55 |
| R37 | 7030003640 | S.RES ERJ3GEYJ 473 V (47K) | T | 143.3/51.1 |
| R38 | 7030003640 | S.RES ERJ3GEYJ 473 V (47K) | T | 143.3/37 |
| R39 | 7030003640 | S.RES ERJ3GEYJ 473 V (47K) | T | 143.3/28 |
| R40 | 7030003640 | S.RES ERJ3GEYJ 473 V (47K) | T | 142.3/64.3 |
| R41 | 7030003640 | S.RES ERJ3GEYJ 473 V (47K) | T | 144.7/17.3 |
| R42 | 7030003640 | S.RES ERJ3GEYJ 473 V (47K) | T | 81.2/21.5 |
| R43 | 7030003640 | S.RES ERJ3GEYJ 473 V (47K) | T | 76.3/21.5 |
| R49 | 7030003720 | S.RES ERJ3GEYJ 224 V (220K) | B | 139.8/18.6 |
| R51 | 7030003440 | S.RES ERJ3GEYJ 102 V (1K) | B | 21.7/34.7 |
| R52 | 7030003480 | S.RES ERJ3GEYJ 222 V (2.2K) | B | 21.7/30 |
| R53 | 7030003480 | S.RES ERJ3GEYJ 222 V (2.2K) | B | 19.1/30 |
| R54 | 7030003720 | S.RES ERJ3GEYJ 224 V (220K) | B | 142.4/20.7 |
| R55 | 7030003520 | S.RES ERJ3GEYJ 472 V (4.7K) | B | 19.1/31.3 |
| R56 | 7030003440 | S.RES ERJ3GEYJ 102 V (1K) | B | 72.2/8.9 |
| R57 | 7030003560 | S.RES ERJ3GEYJ 103 V (10K) | B | 74.5/6.5 |
| R59 | 7030003560 | S.RES ERJ3GEYJ 103 V (10K) | T | 41.7/28.1 |
| R60 | 7030003440 | S.RES ERJ3GEYJ 102 V (1K) | B | 152.8/26.8 |
| R61 | 7030003440 | S.RES ERJ3GEYJ 102 V (1K) | B | 154.8/26.8 |
| R62 | 7030003480 | S.RES ERJ3GEYJ 222 V (2.2K) | B | 29.2/33.1 |
| R63 | 7030003480 | S.RES ERJ3GEYJ 222 V (2.2K) | B | 29.2/34.3 |
| R64 | 7030003440 | S.RES ERJ3GEYJ 102 V (1K) | B | 156.8/26.8 |
| R66 | 7030003440 | S.RES ERJ3GEYJ 102 V (1K) | B | 139.8/17.3 |
| R67 | 7030003440 | S.RES ERJ3GEYJ 102 V (1K) | B | 142.4/22 |
| R70 | 7030003380 | S.RES ERJ3GEYJ 331 V (330) | B | 155.8/40.9 |
| R71 | 7030003410 | S.RES ERJ3GEYJ 561 V (560) | B | 155.8/44.8 |
| R72 | 7030003430 | S.RES ERJ3GEYJ 821 V (820) | B | 155.8/43.5 |
| R73 | 7030003510 | S.RES ERJ3GEYJ 392 V (3.9K) | B | 155.8/42.2 |
| R74 | 7030003440 | S.RES ERJ3GEYJ 102 V (1K) | B | 155.8/46.1 |
| R75 | 7030009800 | S.RES ERJ12YJ121U (120) | B | 142.8/43.9 |
| R76 | 7030003440 | S.RES ERJ3GEYJ 102 V (1K) | T | 19.2/24.4 |
| R77 | 7030003440 | S.RES ERJ3GEYJ 102 V (1K) | T | 18.4/26.7 |
| R78 | 7030003440 | S.RES ERJ3GEYJ 102 V (1K) | T | 18.4/32.6 |
| R79 | 7030003440 | S.RES ERJ3GEYJ 102 V (1K) | T | 18.4/29.7 |
| R80 | 7030003420 | S.RES ERJ3GEYJ 681 V (680) | B | 156.4/39 |
| R81 | 7030009800 | S.RES ERJ12YJ121U (120) | B | 146.5/43.9 |
| R82 | 7030009800 | S.RES ERJ12YJ121U (120) | B | 139.4/39 |
| R100 | 7030003680 | S.RES ERJ3GEYJ 104 V (100K) | T | 70.4/29.6 |
| R101 | 7030003680 | S.RES ERJ3GEYJ 104 V (100K) | T | 71.7/29.6 |
| R102 | 7030003680 | S.RES ERJ3GEYJ 104 V (100K) | T | 67.9/20.8 |
| R103 | 7030003590 | S.RES ERJ3GEYJ 183 V (18K) | T | 69.2/20.8 |
| R104 | 7030003540 | S.RES ERJ3GEYJ 682 V (6.8K) | T | 67.9/18.2 |
| R105 | 7030003620 | S.RES ERJ3GEYJ 333 V (33K) | T | 70.9/17.3 |
| R106 | 7030003640 | S.RES ERJ3GEYJ 473 V (47K) | T | 71/21.5 |
| R107 | 7030003600 | S.RES ERJ3GEYJ 223 V (22K) | B | 7.6/32.7 |
| R108 | 7030003380 | S.RES ERJ3GEYJ 331 V (330) | T | 33.4/37.5 |
| R109 | 7030010500 | S.RES ERJ1TYJ 2R2U | B | 155/55.6 |
| R110 | 7030010250 | S.RES ERJ1TYJ 0R00U | B | 142.5/54.8 |
| R113 | 7030003860 | S.RES ERJ3GE JPW V | T | 73.2/21.9 |
| R114 | 7030003440 | S.RES ERJ3GEYJ 102 V (1K) | T | 33.9/25.6 |
| R115 | 7030003800 | S.RES ERJ3GEYJ 105 V (1M) | T | 31.3/26.4 |
| R126 | 7030003360 | S.RES ERJ3GEYJ 221 V (220) | T | 38.7/42.3 |
| R127 | 7030003360 | S.RES ERJ3GEYJ 221 V (220) | T | 38.7/40.9 |
| R151 | 7030003360 | S.RES ERJ3GEYJ 221 V (220) | T | 41.3/42.4 |
| R152 | 7030003360 | S.RES ERJ3GEYJ 221 V (220) | T | 41.3/41.1 |
| R153 | 7030003640 | S.RES ERJ3GEYJ 473 V (47K) | T | 30/58.9 |
| R154 | 7030003360 | S.RES ERJ3GEYJ 221 V (220) | B | 29.6/29.2 |
| R155 | 7030003360 | S.RES ERJ3GEYJ 221 V (220) | T | 41.3/43.7 |
| R156 | 7030003360 | S.RES ERJ3GEYJ 221 V (220) | T | 41.3/45 |
| R157 | 7030003360 | S.RES ERJ3GEYJ 221 V (220) | T | 33.1/29.5 |
| R158 | 7030003360 | S.RES ERJ3GEYJ 221 V (220) | B | 31/29.2 |
| R159 | 7030003360 | S.RES ERJ3GEYJ 221 V (220) | B | 33.6/29.2 |
| R162 | 7030003640 | S.RES ERJ3GEYJ 473 V (47K) | T | 35.1/56.3 |
| R163 | 7030003440 | S.RES ERJ3GEYJ 102 V (1K) | B | 40/30.2 |
| R169 | 7030003360 | S.RES ERJ3GEYJ 221 V (220) | B | 32.3/29.2 |
| R171 | 7030003360 | S.RES ERJ3GEYJ 221 V (220) | B | 34.3/54.8 |
| R172 | 7030003360 | S.RES ERJ3GEYJ 221 V (220) | B | 36.8/50.7 |
| R173 | 7030006571 | S.RES ERA3YED 392V (3.9K) | T | 39.2/38.9 |
| R174 | 7030006101 | S.RES ERA3YED 183V (18K) | T | 37.4/32.9 |
| R175 | 7030003360 | S.RES ERJ3GEYJ 221 V (220) | T | 28.7/58.9 |
| R176 | 7030003360 | S.RES ERJ3GEYJ 221 V (220) | B | 35.5/50.3 |
| R177 | 7030003360 | S.RES ERJ3GEYJ 221 V (220) | B | 34.2/50.3 |
| R180 | 7030003640 | S.RES ERJ3GEYJ 473 V (47K) | T | 39.4/29.7 |
| R181 | 7030003640 | S.RES ERJ3GEYJ 473 V (47K) | T | 35.5/40.2 |

M.=Mounted side (T: Mounted on the Top side, B: Mounted on the Bottom side)
S.=Surface mount

[LOGIC UNIT]

| REF NO. | PARTS NO. | DESCRIPTION | M. | H/V LOCATION |
|---------|------------|-----------------------------|----|--------------|
| R182 | 7030003640 | S.RES ERJ3GEYJ 473 V (47K) | T | 35.2/37 |
| R183 | 7030003440 | S.RES ERJ3GEYJ 102 V (1K) | T | 35.3/31.1 |
| R197 | 7030003480 | S.RES ERJ3GEYJ 222 V (2.2K) | B | 21.7/28.7 |
| R198 | 7030003480 | S.RES ERJ3GEYJ 222 V (2.2K) | B | 19.7/27.9 |
| R199 | 7030003520 | S.RES ERJ3GEYJ 472 V (4.7K) | B | 18.5/26.5 |
| R201 | 7030003440 | S.RES ERJ3GEYJ 102 V (1K) | B | 21.7/24 |
| R202 | 7030003440 | S.RES ERJ3GEYJ 102 V (1K) | B | 52.8/33.1 |
| R203 | 7030003440 | S.RES ERJ3GEYJ 102 V (1K) | B | 56.1/37.2 |
| R204 | 7030003440 | S.RES ERJ3GEYJ 102 V (1K) | B | 57.1/34.6 |
| R205 | 7030003440 | S.RES ERJ3GEYJ 102 V (1K) | B | 57.5/37.2 |
| R206 | 7030003440 | S.RES ERJ3GEYJ 102 V (1K) | B | 58.7/34.6 |
| R207 | 7030003440 | S.RES ERJ3GEYJ 102 V (1K) | B | 60/37.2 |
| R211 | 7030003640 | S.RES ERJ3GEYJ 473 V (47K) | B | 21.7/37.3 |
| R212 | 7030003360 | S.RES ERJ3GEYJ 221 V (220) | B | 32.9/50.2 |
| R213 | 7030003520 | S.RES ERJ3GEYJ 472 V (4.7K) | B | 23.6/36.7 |
| R214 | 7030003620 | S.RES ERJ3GEYJ 333 V (33K) | B | 21.7/36 |
| R215 | 7030003580 | S.RES ERJ3GEYJ 153 V (15K) | B | 19.1/33.9 |
| R216 | 7030003440 | S.RES ERJ3GEYJ 102 V (1K) | T | 76.2/24.1 |
| R217 | 7030003440 | S.RES ERJ3GEYJ 102 V (1K) | T | 83/23.4 |
| R218 | 7030003440 | S.RES ERJ3GEYJ 102 V (1K) | T | 83/24.7 |
| R219 | 7030003440 | S.RES ERJ3GEYJ 102 V (1K) | T | 83/26 |
| R220 | 7030003440 | S.RES ERJ3GEYJ 102 V (1K) | T | 83/27.3 |
| R221 | 7030003440 | S.RES ERJ3GEYJ 102 V (1K) | T | 83/28.6 |
| R227 | 7030003200 | S.RES ERJ3GEYJ 100 V (10) | B | 136.9/21.3 |
| R228 | 7030003360 | S.RES ERJ3GEYJ 221 V (220) | T | 39.7/55.6 |
| R229 | 7030003360 | S.RES ERJ3GEYJ 221 V (220) | T | 32.5/58.9 |
| R230 | 7030003360 | S.RES ERJ3GEYJ 221 V (220) | T | 33.8/58.9 |
| R231 | 7030003360 | S.RES ERJ3GEYJ 221 V (220) | T | 35.1/58.9 |
| R232 | 7030003360 | S.RES ERJ3GEYJ 221 V (220) | T | 36.4/58.9 |
| R233 | 7030003360 | S.RES ERJ3GEYJ 221 V (220) | T | 37.7/58.9 |
| R234 | 7030003360 | S.RES ERJ3GEYJ 221 V (220) | B | 42.6/55.4 |
| R235 | 7030003360 | S.RES ERJ3GEYJ 221 V (220) | T | 38.5/55.6 |
| R236 | 7030003360 | S.RES ERJ3GEYJ 221 V (220) | B | 40/55.4 |
| R237 | 7030003360 | S.RES ERJ3GEYJ 221 V (220) | B | 43.9/55.4 |
| R238 | 7030003360 | S.RES ERJ3GEYJ 221 V (220) | B | 38.7/55.3 |
| R239 | 7030003860 | S.RES ERJ3GE JPW V | T | 38.7/43.5 |
| R301 | 7030003640 | S.RES ERJ3GEYJ 473 V (47K) | B | 75.9/53.4 |
| R302 | 7030003640 | S.RES ERJ3GEYJ 473 V (47K) | B | 81.6/55.7 |
| R303 | 7030003640 | S.RES ERJ3GEYJ 473 V (47K) | B | 81.6/54.4 |
| R304 | 7030003640 | S.RES ERJ3GEYJ 473 V (47K) | B | 74.6/53.4 |
| R305 | 7030003560 | S.RES ERJ3GEYJ 103 V (10K) | B | 72.6/64.1 |
| R306 | 7030003680 | S.RES ERJ3GEYJ 104 V (100K) | B | 75.2/64.1 |
| R307 | 7030003640 | S.RES ERJ3GEYJ 473 V (47K) | B | 73.9/64.1 |
| R1071 | 7030003530 | S.RES ERJ3GEYJ 562 V (5.6K) | T | 129.7/13.7 |
| R1072 | 7030003410 | S.RES ERJ3GEYJ 561 V (560) | T | 129.6/12.5 |
| R1073 | 7030003860 | S.RES ERJ3GE JPW V | T | 132.3/12 |
| R1074 | 7030003860 | S.RES ERJ3GE JPW V | T | 127.9/11.2 |
| R1075 | 7030003360 | S.RES ERJ3GEYJ 221 V (220) | T | 41/55.6 |
| R1076 | 7030003360 | S.RES ERJ3GEYJ 221 V (220) | B | 41.3/55.4 |
| R1077 | 7030003360 | S.RES ERJ3GEYJ 221 V (220) | B | 37.4/55.1 |
| R1078 | 7030003360 | S.RES ERJ3GEYJ 221 V (220) | B | 36.1/55.1 |
| R1079 | 7030003640 | S.RES ERJ3GEYJ 473 V (47K) | T | 65.9/33.3 |
| R1080 | 7030003640 | S.RES ERJ3GEYJ 473 V (47K) | T | 66.1/32 |
| R1081 | 7030003360 | S.RES ERJ3GEYJ 221 V (220) | B | 54.5/65.4 |
| R1082 | 7030003360 | S.RES ERJ3GEYJ 221 V (220) | B | 51.9/65.5 |
| R1083 | 7030003360 | S.RES ERJ3GEYJ 221 V (220) | B | 46.5/56.5 |
| R1084 | 7030003360 | S.RES ERJ3GEYJ 221 V (220) | B | 45.2/56.5 |
| R1085 | 7030003640 | S.RES ERJ3GEYJ 473 V (47K) | T | 39.6/58.8 |
| C1 | 4030007020 | S.CER C1608 CH 1H 120J-T | B | 61/59.1 |
| C2 | 4030007020 | S.CER C1608 CH 1H 120J-T | B | 66.2/59.1 |
| C4 | 4030006900 | S.CER C1608 JB 1H 103K-T | B | 99/30.6 |
| C8 | 4030011600 | S.CER C1608 JB 1E 104K-T | B | 12.6/63.5 |
| C9 | 4030008890 | S.CER C1608 JB 1H 273K-T | B | 10.8/61.9 |
| C11 | 4030011600 | S.CER C1608 JB 1E 104K-T | B | 49/7.9 |
| C12 | 4030018960 | S.CER C3216 JB 1C 106MT-N | B | 49.8/9.6 |
| C13 | 4030019490 | S.CER C2012 JB 1A 106K-T | B | 53.4/12.6 |
| C14 | 4030011600 | S.CER C1608 JB 1E 104K-T | B | 55.5/13.7 |
| C15 | 4030011600 | S.CER C1608 JB 1E 104K-T | B | 164.6/46.7 |
| C16 | 4030019490 | S.CER C2012 JB 1A 106K-T | B | 162.9/47.5 |
| C17 | 4030019490 | S.CER C2012 JB 1A 106K-T | B | 163.3/28 |
| C18 | 4030011600 | S.CER C1608 JB 1E 104K-T | B | 164.6/50 |
| C19 | 4030019490 | S.CER C2012 JB 1A 106K-T | B | 85.3/46.6 |
| C20 | 4030011600 | S.CER C1608 JB 1E 104K-T | B | 85.7/48.9 |
| C21 | 4030007090 | S.CER C1608 CH 1H 470J-T | B | 85.7/51.5 |
| C22 | 4030007090 | S.CER C1608 CH 1H 470J-T | B | 85.1/53.4 |
| C23 | 4030007090 | S.CER C1608 CH 1H 470J-T | B | 85.1/56 |
| C24 | 4030006860 | S.CER C1608 JB 1H 102K-T | B | 85.2/57.5 |
| C25 | 4030011600 | S.CER C1608 JB 1E 104K-T | B | 61.3/37.2 |
| C26 | 4030017490 | S.CER C1608 JB 1A 105K-T | B | 51.4/52.1 |
| C27 | 4030011600 | S.CER C1608 JB 1E 104K-T | B | 63.6/59.1 |
| C28 | 4030017490 | S.CER C1608 JB 1A 105K-T | B | 51.4/54.7 |
| C44 | 4030006880 | S.CER C1608 JB 1H 472K-T | B | 151.5/26.8 |
| C45 | 4030006880 | S.CER C1608 JB 1H 472K-T | B | 155.5/28.7 |
| C47 | 4030006880 | S.CER C1608 JB 1H 472K-T | B | 66.1/3.3 |
| C49 | 4030006880 | S.CER C1608 JB 1H 472K-T | B | 158.1/28.7 |
| C50 | 4030006880 | S.CER C1608 JB 1H 472K-T | B | 25.6/32.5 |
| C70 | 4030006880 | S.CER C1608 JB 1H 472K-T | T | 15.5/29.6 |
| C71 | 4030006880 | S.CER C1608 JB 1H 472K-T | T | 16.9/33.8 |
| C72 | 4030006880 | S.CER C1608 JB 1H 472K-T | T | 15.5/28.3 |
| C73 | 4030006880 | S.CER C1608 JB 1H 472K-T | T | 15.9/25.7 |
| C74 | 4030017490 | S.CER C1608 JB 1A 105K-T | B | 155.1/39 |
| C101 | 4030011600 | S.CER C1608 JB 1E 104K-T | T | 66.5/26.4 |
| C102 | 4030006880 | S.CER C1608 JB 1H 472K-T | T | 36.5/27.8 |
| C103 | 4030012610 | S.CER C2012 JB 1C 474K-T | T | 66.2/23.4 |
| C104 | 4030011600 | S.CER C1608 JB 1E 104K-T | B | 138/60.8 |
| C105 | 4030011600 | S.CER C1608 JB 1E 104K-T | B | 155.8/61.2 |

[LOGIC UNIT]

| REF NO. | PARTS NO. | DESCRIPTION | M. | H/V LOCATION |
|---------|------------|-----------------------------|----|--------------|
| C106 | 4030019490 | S.CER C2012 JB 1A 106K-T | B | 139.7/61.3 |
| C107 | 4030011600 | S.CER C1608 JB 1E 104K-T | B | 155.8/64.2 |
| C108 | 4030019490 | S.CER C2012 JB 1A 106K-T | B | 136.4/54.5 |
| C109 | 4030019490 | S.CER C2012 JB 1A 106K-T | B | 154.1/63.4 |
| C110 | 4030011600 | S.CER C1608 JB 1E 104K-T | B | 138/57.9 |
| C158 | 4030017490 | S.CER C1608 JB 1A 105K-T | B | 39.7/37.4 |
| C170 | 4030006880 | S.CER C1608 JB 1H 472K-T | B | 23.5/23.6 |
| C171 | 4030006880 | S.CER C1608 JB 1H 472K-T | T | 39.2/37.7 |
| C172 | 4030018910 | S.CER C1608 JB 0J 475K-T | T | 38.4/36.4 |
| C211 | 4030006880 | S.CER C1608 JB 1H 472K-T | B | 19.1/32.6 |
| C212 | 4030011600 | S.CER C1608 JB 1E 104K-T | B | 19.1/38.4 |
| C1071 | 4030011600 | S.CER C1608 JB 1E 104K-T | T | 127.8/14.5 |
| C1072 | 4510009700 | S.ELE EEEFK1C101P | B | 128.2/19.3 |
| C1073 | 4510009820 | S.ELE EEEFK1C470P | B | 129.1/5.1 |
| C1074 | 4510009820 | S.ELE EEEFK1C470P | B | 129.1/12.2 |
| J1 | 6510018971 | S.CON B4B-PH-SM4-TB(LF)(SN) | B | 140.7/29.4 |
| J3 | 6510019971 | S.CON 52808-1071 | B | 157.3/22.7 |
| J4 | 6510019971 | S.CON 52808-1071 | B | 61/7.7 |
| J5 | 6510019971 | S.CON 52808-1071 | B | 9.3/29.1 |
| J101 | 6510024151 | S.CON 50FY-BMT-TB(LF)(SN) | B | 39.2/25.8 |
| J102 | 6510024151 | S.CON 50FY-BMT-TB(LF)(SN) | B | 39.2/61 |
| J301 | 6510019971 | S.CON 52808-1071 | B | 77.2/59.4 |
| DS1 | 5030003090 | LCD S11325 <SUC> | T | 172.5/14.3 |
| DS2 | 5040002940 | S.LED TLYU1002A(T02) | T | 61.5/49.1 |
| DS70 | 5040002940 | S.LED TLYU1002A(T02) | T | 53/49.1 |
| DS71 | 5040002940 | S.LED TLYU1002A(T02) | T | 53/59.2 |
| DS73 | 5040002940 | S.LED TLYU1002A(T02) | T | 61.5/59.2 |
| DS74 | 5040002940 | S.LED TLYU1002A(T02) | T | 70/59.2 |
| DS76 | 5040002940 | S.LED TLYU1002A(T02) | T | 70/49.1 |
| DS77 | 5040002940 | S.LED TLYU1002A(T02) | T | 78.5/59.2 |
| DS79 | 5040002940 | S.LED TLYU1002A(T02) | T | 78.5/49.1 |
| DS80 | 5040002940 | S.LED TLYU1002A(T02) | T | 87/59.2 |
| DS82 | 5040002940 | S.LED TLYU1002A(T02) | T | 87/49.1 |
| DS83 | 5040002940 | S.LED TLYU1002A(T02) | T | 95.5/59.2 |
| DS85 | 5040002940 | S.LED TLYU1002A(T02) | T | 95.5/49.1 |
| DS86 | 5040002940 | S.LED TLYU1002A(T02) | T | 104/59.2 |
| DS88 | 5040002940 | S.LED TLYU1002A(T02) | T | 104/49.1 |
| DS89 | 5040002940 | S.LED TLYU1002A(T02) | T | 43/21 |
| EP2 | 8930076650 | LCD SRCN-3015-SP-N-W (SHJ) | B | 63.8/14.9 |
| EP4 | 6910012350 | S.BEA MMZ1608Y 102BT | T | 12.5/24.8 |
| EP5 | 6910012350 | S.BEA MMZ1608Y 102BT | B | 21.6/21.3 |
| EP6 | 6910012350 | S.BEA MMZ1608Y 102BT | B | 57.3/10.2 |
| EP45 | 6910012350 | S.BEA MMZ1608Y 102BT | B | 57.3/8.2 |
| EP46 | 6910012350 | S.BEA MMZ1608Y 102BT | T | 41.9/23.2 |
| EP47 | 6910018930 | S.BEA MPZ2012S601A | T | 41.9/21.5 |
| EP48 | 6910018930 | S.BEA MPZ2012S601A | B | 41/21.1 |
| EP49 | 6910018930 | S.BEA MPZ2012S601A | B | 45.5/21 |
| EP50 | 6910018930 | S.BEA MPZ2012S601A | B | 65.4/7.4 |
| EP51 | 6910018930 | S.BEA MPZ2012S601A | B | 65.4/11.1 |
| EP52 | 6910018930 | S.BEA MPZ2012S601A | B | 8.8/25.3 |
| EP53 | 6910018930 | S.BEA MPZ2012S601A | B | 66.3/4.9 |
| EP54 | 6910018930 | S.BEA MPZ2012S601A | B | 43/21 |
| EP55 | 6910018930 | S.BEA MPZ2012S601A | B | |

M.=Mounted side (T: Mounted on the Top side, B: Mounted on the Bottom side)
S.=Surface mount

[VR-A UNIT]

| REF NO. | PARTS NO. | DESCRIPTION | M. | H/V LOCATION |
|---------|------------|---------------------------------|----|--------------|
| R1 | 7210002910 | VAR RV-310(RK0972210 10KB/10KB) | | |
| R2 | 7210002960 | VAR RV-313(RK0972210 10KB/10KB) | | |
| J1 | 6510026670 | S.CON IMSA-6281S-06Y900 | T | 21.6/5.1 |

[VR-B UNIT]

| REF NO. | PARTS NO. | DESCRIPTION | M. | H/V LOCATION |
|---------|------------|------------------------------|----|--------------|
| J1 | 6510020711 | S.CON 52793-1070(1090) | T | 9.2/2.4 |
| S1 | 2250000640 | ENC TP96D96E20-22F-10KB-3015 | | |

M.=Mounted side (T: Mounted on the Top side, B: Mounted on the Bottom side)
S.=Surface mount

[MIC UNIT]

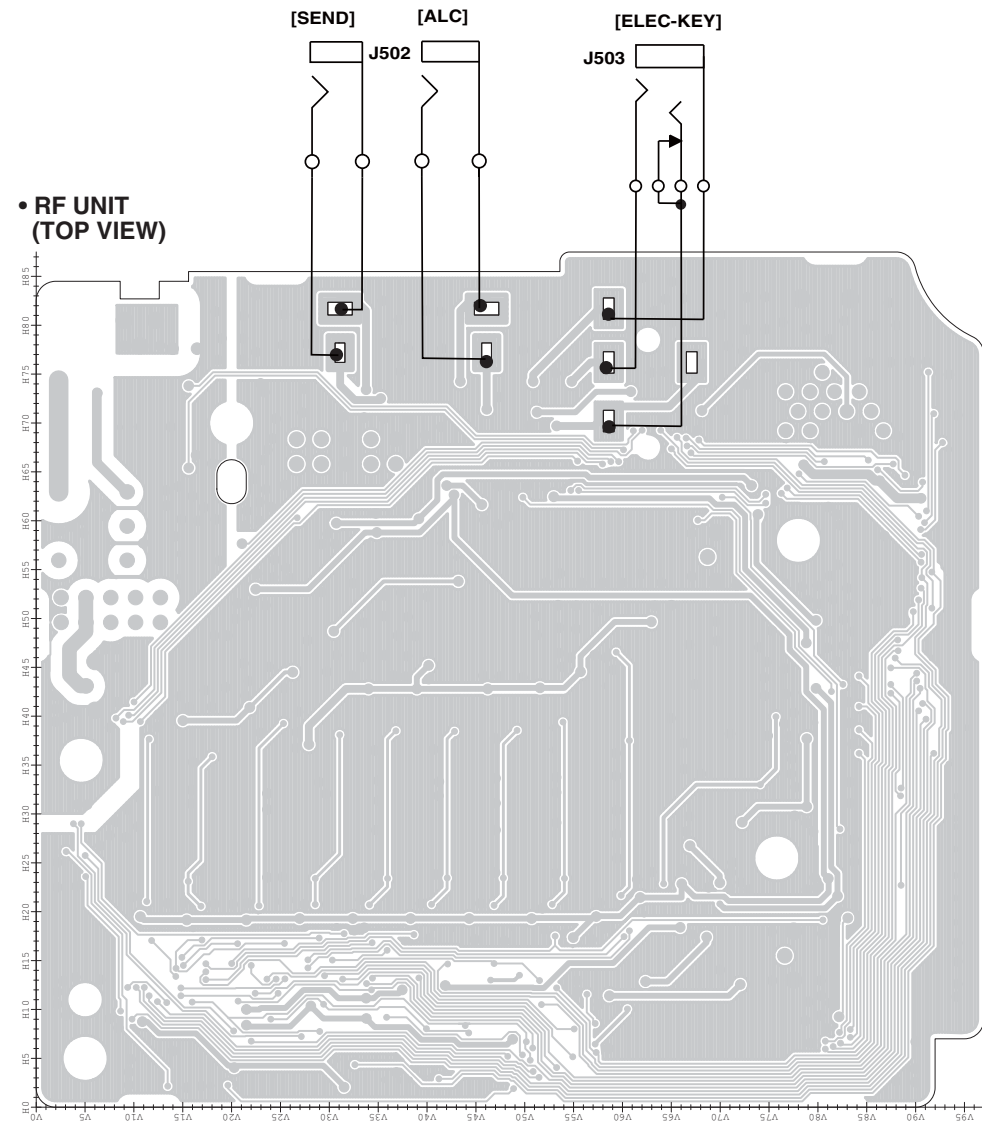
| REF NO. | PARTS NO. | DESCRIPTION | M. | H/V LOCATION |
|---------|------------|------------------|----|--------------|
| J1 | 6510000191 | CON FM214-8SS(P) | | |
| J2 | 6510019971 | S.CON 52808-1071 | B | 18.1/6.5 |

[PHONE UNIT]

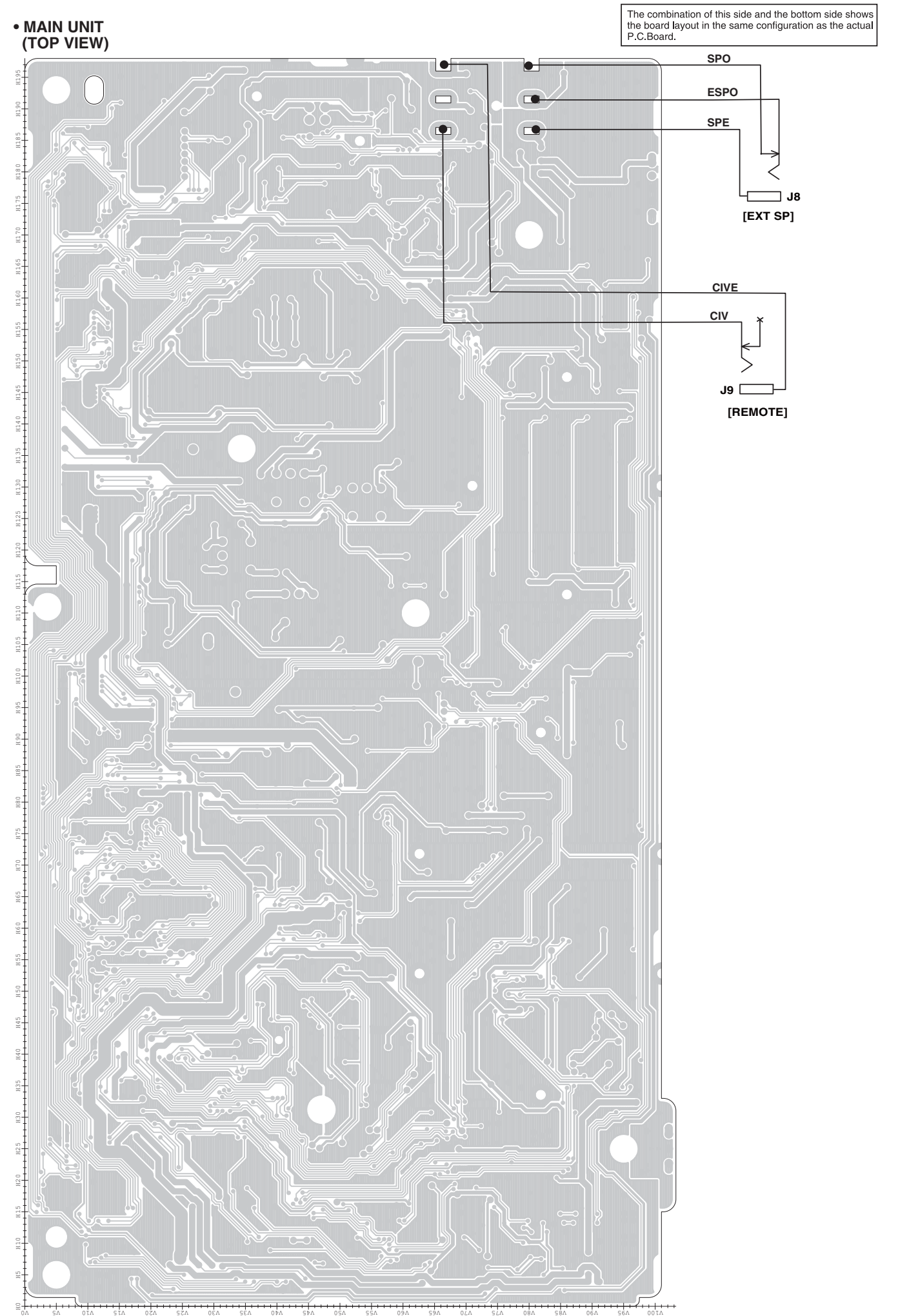
| REF NO. | PARTS NO. | DESCRIPTION | M. | H/V LOCATION |
|---------|------------|---------------------------|----|--------------|
| R1 | 7030006070 | S.RES ERJ12YJ101U (100) | T | 24.6/5 |
| R2 | 7030006070 | S.RES ERJ12YJ101U (100) | T | 24.6/10.1 |
| R3 | 7030003440 | S.RES ERJ3GEYJ 102 V (1K) | T | 23.1/12.6 |
| C1 | 4030006880 | S.CER C1608 JB 1H 472K-T | B | 27.7/9.6 |
| C2 | 4030006880 | S.CER C1608 JB 1H 472K-T | T | 23.1/2.5 |
| C3 | 4030006880 | S.CER C1608 JB 1H 472K-T | T | 23.1/13.9 |
| J1 | 6510023891 | CON S-G4617#01F 0 | | |
| J2 | 6510019971 | S.CON 52808-1071 | B | 26.6/4 |
| EP1 | 6910014690 | S.BEA MPZ1608S221A-T | B | 29.2/8.1 |

M.=Mounted side (T: Mounted on the Top side, B: Mounted on the Bottom side)
S.=Surface mount

BOARD LAYOUTS

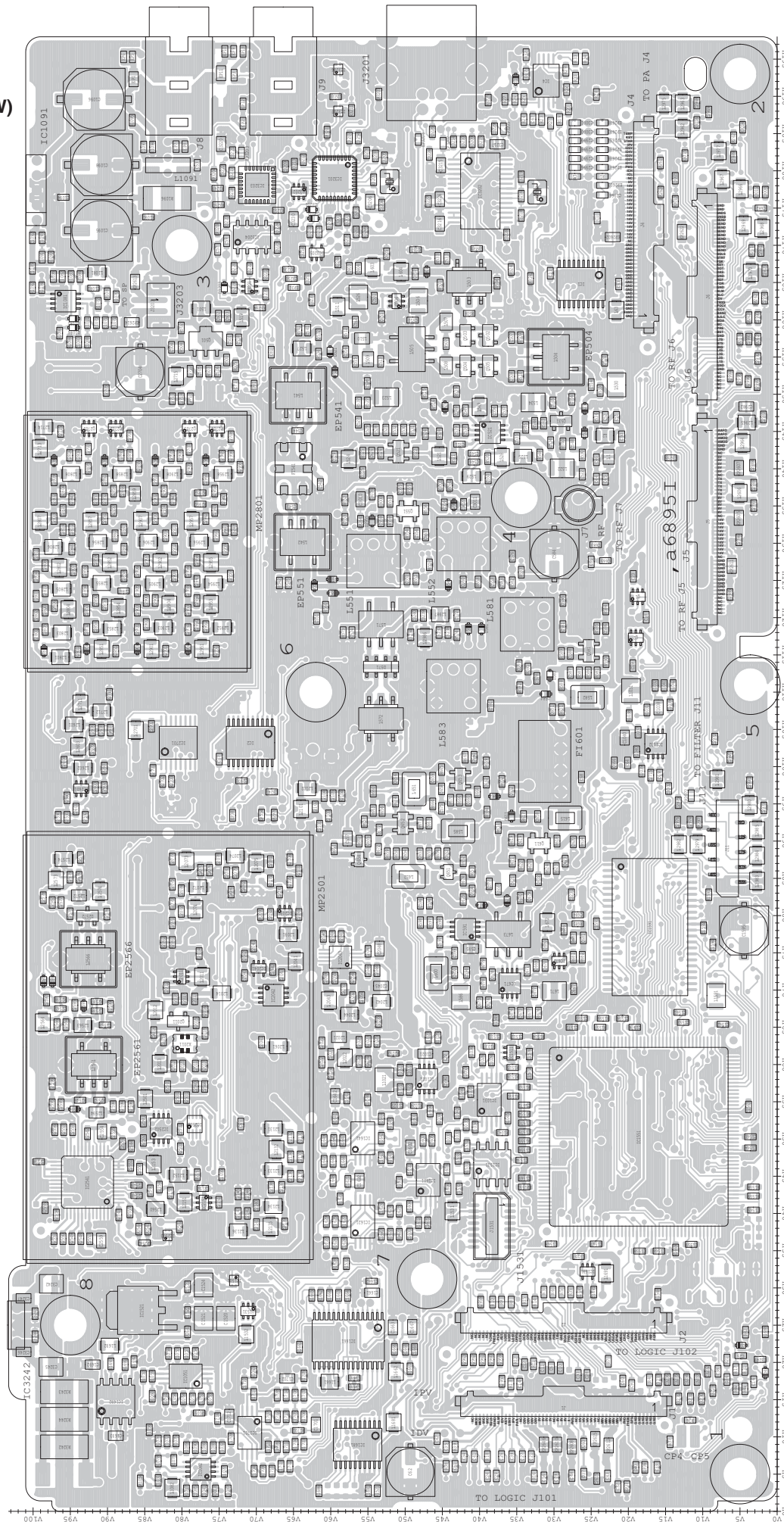


• MAIN UNIT (TOP VIEW)

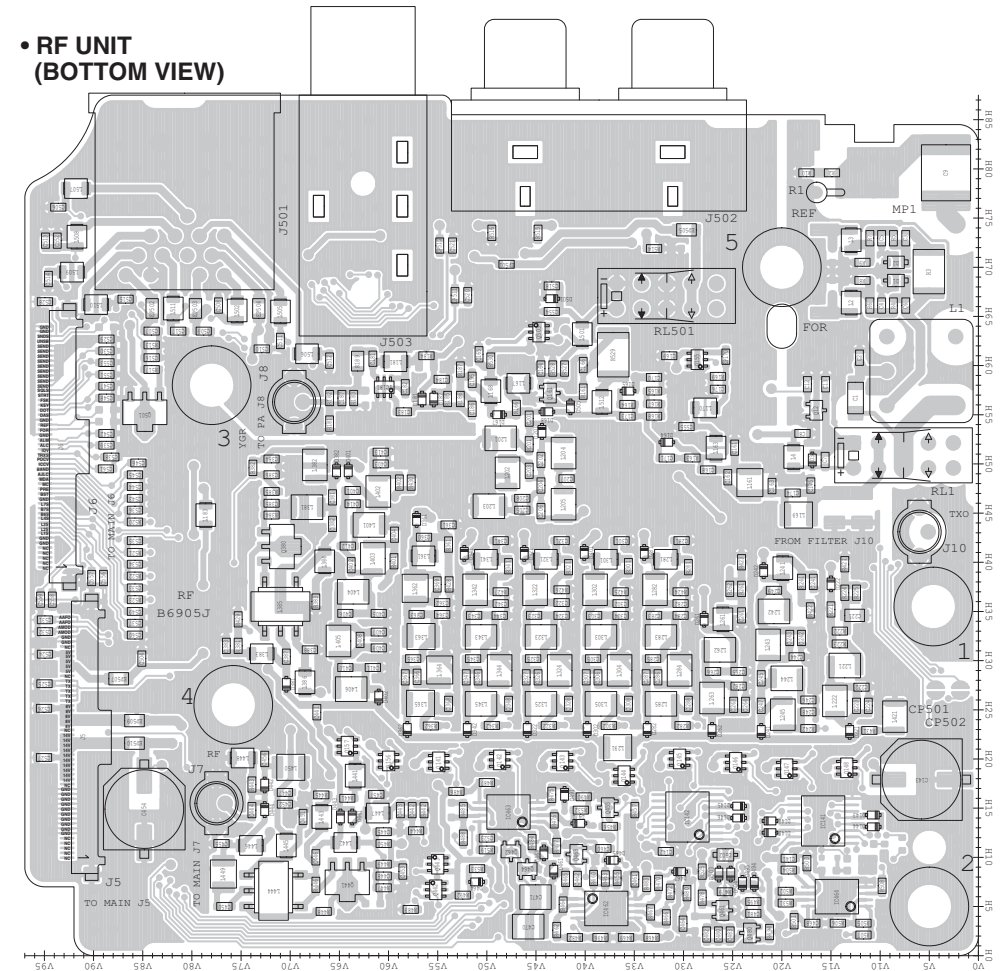


The combination of this side and the bottom side shows the board layout in the same configuration as the actual P.C.Board.

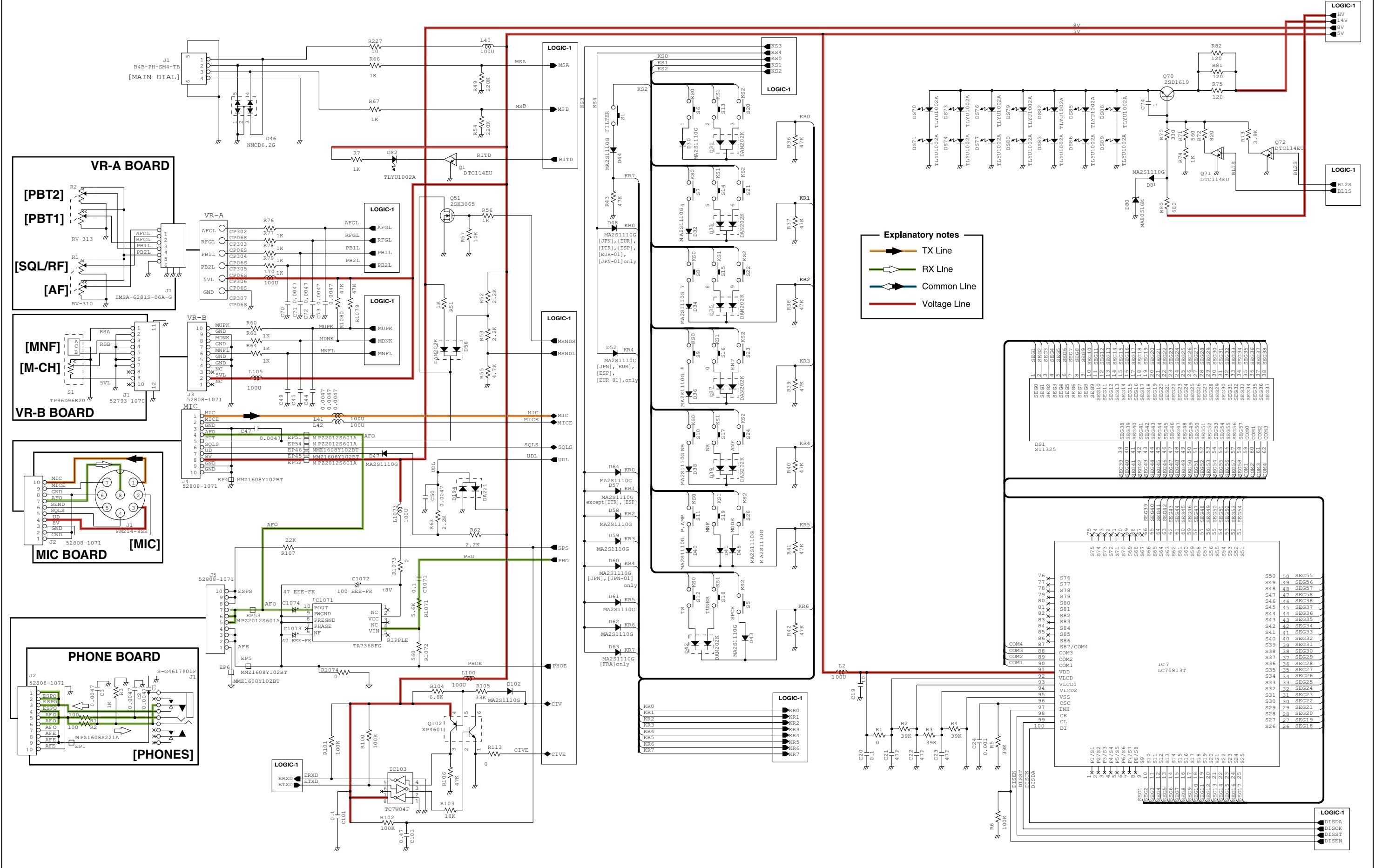
• MAIN UNIT
(BOTTOM VIEW)



• RF UNIT
(BOTTOM VIEW)

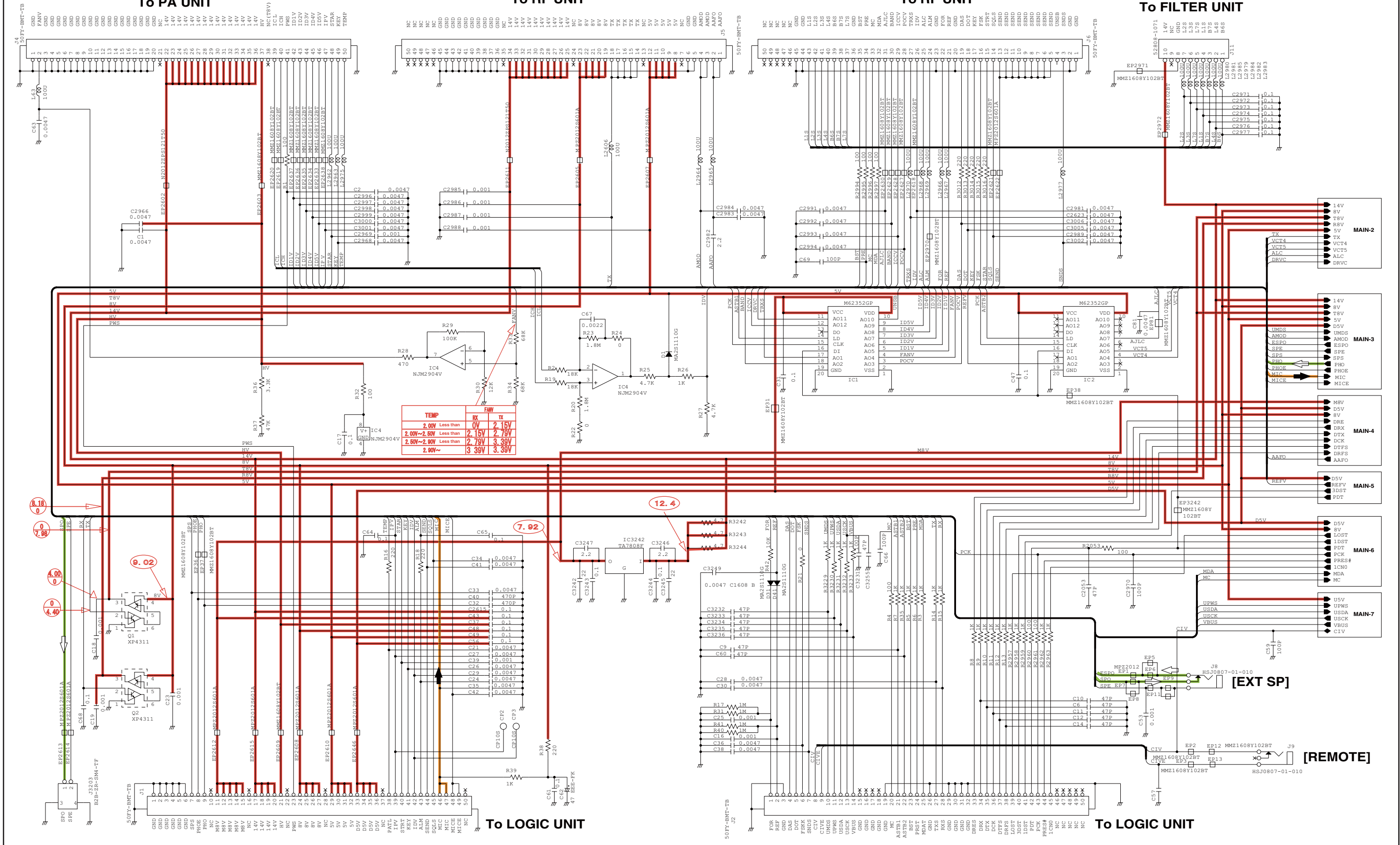


• LOGIC UNIT (LOGIC-2)



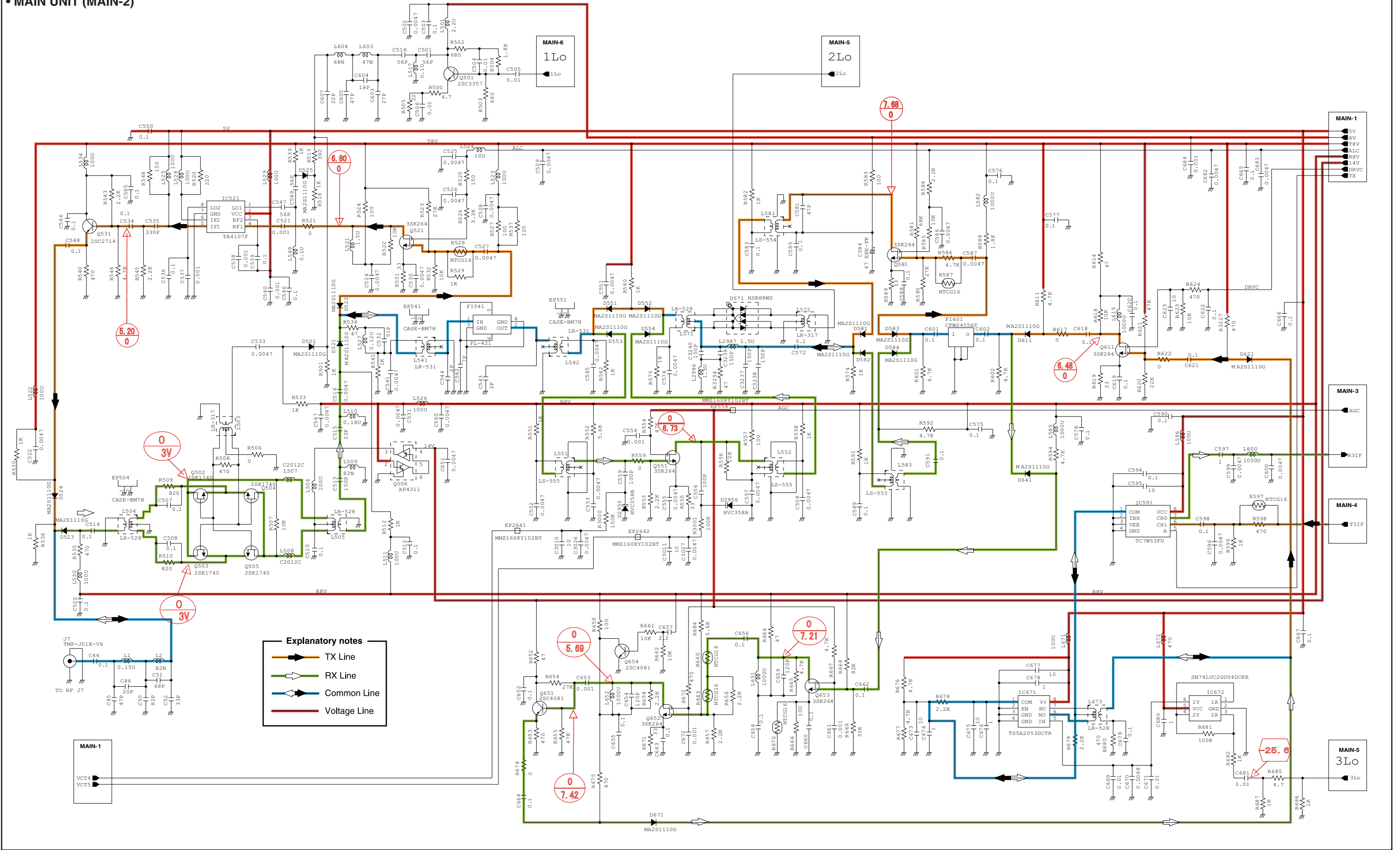
*, Refer to "PARTS LIST"

• MAIN UNIT (MAIN-1)



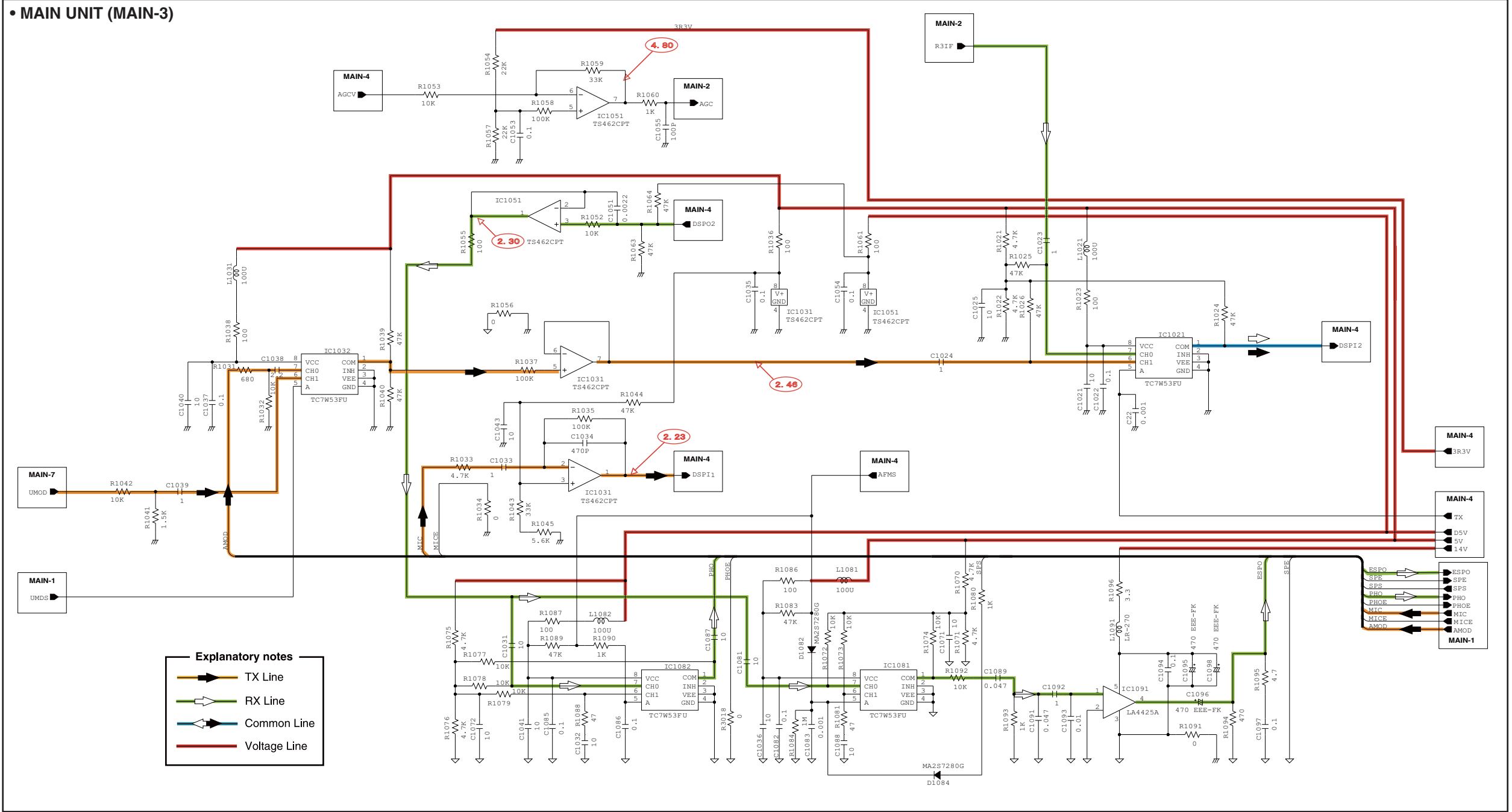
*; Refer to "PARTS LIST."

• MAIN UNIT (MAIN-2)



*; Refer to "PARTS LIST."

• MAIN UNIT (MAIN-3)



Explanatory notes

- ▶ TX Line
- ▶ RX Line
- ▶ Common Line
- ▶ Voltage Line

*; Refer to "PARTS LIST."

[MIC BOARD] (MC)

| REF NO. | ORDER NO. | DESCRIPTION | QTY. |
|---------|------------|-----------------|------|
| J1 | 6510000191 | FM214-8SS (P)-1 | 1 |
| J2* | 6510019971 | 52808-1071 | 1 |

[PHONE] (PH)

| REF NO. | ORDER NO. | DESCRIPTION | QTY. |
|---------|------------|-------------|------|
| J1 | 6510023891 | S-G4617#01F | 1 |
| J2* | 6510019971 | 52808-1071 | 1 |

[VR-A BOARD] (VA)

| REF NO. | ORDER NO. | DESCRIPTION | QTY. |
|---------|------------|--------------------------------|------|
| R1 | 7210002910 | RV-310 (RK0972210 10KB/10KB) | 1 |
| R2 | 7210002960 | RV-313 (RK0972210 10KB/10KB) * | 1 |
| J1* | 6510026670 | IMSA-6281S-06A-G | 1 |

[VR-B BOARD] (VB)

| REF NO. | ORDER NO. | DESCRIPTION | QTY. |
|---------|------------|--------------------------|------|
| J1* | 6510020711 | 52793-1070 | 1 |
| S1 | 2250000640 | TP96D96E20-22F-B103-3015 | 1 |

[LOGIC UNIT] (L)

| REF NO. | ORDER NO. | DESCRIPTION | QTY. |
|---------|------------|-------------------------|------|
| J1* | 6510018971 | B4B-PH-SM4-TB (LF) (SN) | 1 |
| J3* | 6510019971 | 52808-1071 | 1 |
| J4* | 6510019971 | 52808-1071 | 1 |
| J5* | 6510019971 | 52808-1071 | 1 |
| J101* | 6510024151 | 50FY-BMT-TB (LF) (SN) | 1 |
| J102* | 6510024151 | 50FY-BMT-TB (LF) (SN) | 1 |
| J301* | 6510019971 | 52808-1071 | 1 |
| DS1 | 5030003090 | S11325 | 1 |
| EP2 | 8930076650 | SRCN-3015-SP-N-W | 2 |
| MP1 | 8210024710 | 3015 REFLECTOR | 1 |
| MP2 | 8930074390 | 3015 LCD HOLDER | 1 |
| MP3 | 8930075470 | 3015 LCD FILTER | 1 |

[MAIN UNIT] (M)

| REF NO. | ORDER NO. | DESCRIPTION | QTY. |
|---------|------------|--------------------------|------------|
| J1* | 6510024151 | 50FY-BMT-TB (LF) (SN) | 1 |
| J2* | 6510024151 | 50FY-BMT-TB (LF) (SN) | 1 |
| J4* | 6510024151 | 50FY-BMT-TB (LF) (SN) | 1 |
| J5* | 6510024151 | 50FY-BMT-TB (LF) (SN) | 1 |
| J6* | 6510024151 | 50FY-BMT-TB (LF) (SN) | 1 |
| J7* | 6510007020 | TMP-J01X-V6 | 1 |
| J8* | 6450000140 | HSJ0807-01-010 | 1 |
| J9* | 6450000140 | HSJ0807-01-010 | 1 |
| J11* | 6510019971 | 52808-1071 | 1 |
| J1531* | 6510025840 | AXN316C038P | 1 |
| J3201* | 6510026540 | UBB-4R-D14T-4D (LF) (SN) | 1 |
| J3203* | 6510014961 | B2B-ZR-SM4-TF (LF) (SN) | 1 |
| EP504* | 6910002161 | CASE-BM7H-LF | 1 |
| EP541* | 6910002161 | CASE-BM7H-LF | 1 |
| EP551* | 6910002161 | CASE-BM7H-LF | 1 |
| EP2561* | 6910002161 | CASE-BM7H-LF | 1 |
| EP2566* | 6910002161 | CASE-BM7H-LF | 1 |
| MP1 | 8930077690 | 3015 MAIN EARTH SPRING | [USA] 1 |
| MP1 | 8930077690 | 3015 MAIN EARTH SPRING | [EUR] 1 |
| MP1 | 8930077690 | 3015 MAIN EARTH SPRING | [FRA] 1 |
| MP1 | 8930077690 | 3015 MAIN EARTH SPRING | [ITR] 1 |
| MP1 | 8930077690 | 3015 MAIN EARTH SPRING | [ESP] 1 |
| MP1 | 8930077690 | 3015 MAIN EARTH SPRING | [EUR-01] 1 |
| MP551 | 8930076610 | 3015 LS SPRING | 1 |
| MP581 | 8930057870 | 2429 EARTH SPRING | 1 |
| MP1521 | 8930070510 | THERMALLY SHEET (BF) | 1 |
| MP2501* | 8510015770 | 2590 DSP CASE | 1 |
| MP2541 | 8930070510 | THERMALLY SHEET (BF) | 1 |
| MP2801* | 8510015880 | 2590 S2LO CASE | 1 |
| MP3201 | 8930068000 | SHIELD SPONGE (AT) | [USA] 1 |
| MP3201 | 8930068000 | SHIELD SPONGE (AT) | [EUR] 1 |
| MP3201 | 8930068000 | SHIELD SPONGE (AT) | [FRA] 1 |
| MP3201 | 8930068000 | SHIELD SPONGE (AT) | [ITR] 1 |
| MP3201 | 8930068000 | SHIELD SPONGE (AT) | [ESP] 1 |
| MP3201 | 8930068000 | SHIELD SPONGE (AT) | [EUR-01] 1 |
| MP3202 | 8930078630 | FERRITE SHEET (AB) | 1 |

[RF UNIT] (RF)

| REF NO. | ORDER NO. | DESCRIPTION | QTY. |
|---------|------------|-----------------------|------|
| RL1 | 6330001721 | ATN207-K1 | 1 |
| RL501 | 6330001721 | ATN207-K1 | 1 |
| J5* | 6510024151 | 50FY-BMT-TB (LF) (SN) | 1 |
| J6* | 6510024151 | 50FY-BMT-TB (LF) (SN) | 1 |
| J7 | 6510007020 | TMP-J01X-V6 | 1 |
| J8 | 6510007020 | TMP-J01X-V6 | 1 |
| J10 | 6510007020 | TMP-J01X-V6 | 1 |
| J501 | 6450001641 | TCS5044-0141177 | 1 |
| J502 | 6450001130 | JPJ2042-01-110 | 1 |
| J503 | 6510023900 | LGR4619-7000 | 1 |
| MP1 | 8930075430 | 3015 ANT SPRING | 1 |

[PA UNIT] (PA)

| REF NO. | ORDER NO. | DESCRIPTION | QTY. |
|---------|------------|-------------------------|------------|
| RL1 | 6330001600 | ALD112 | 1 |
| J4* | 6510024151 | 50FY-BMT-TB (LF) (SN) | 1 |
| J8 | 6510007020 | TMP-J01X-V6 | 1 |
| J9 | 6510007020 | TMP-J01X-V6 | 1 |
| J12 | 6510001920 | 1490R | 1 |
| J13 | 6510009890 | PD054-04M | 1 |
| J131* | 6510014961 | B2B-ZR-SM4-TF (LF) (SN) | 1 |
| J132* | 6510014961 | B2B-ZR-SM4-TF (LF) (SN) | 1 |
| F1 | 5220000400 | FHA010-01F | 1 |
| F2 | 5210000940 | 1205 | 1 |
| WS1 | 8600036641 | SX2242 J12 13PA-1 | 1 |
| W40 | 8900018210 | OPC-1942 | [USA] 1 |
| | 8900018220 | OPC-1943 | [EUR] 1 |
| | 8900018220 | OPC-1943 | [FRA] 1 |
| | 8900018220 | OPC-1943 | [ITR] 1 |
| | 8900018220 | OPC-1943 | [ESP] 1 |
| | 8900018220 | OPC-1943 | [EUR-01] 1 |
| | 8900017860 | OPC-1857 | [KOR] 1 |
| | 8900017860 | OPC-1857 | [CHN] 1 |
| | 8900017860 | OPC-1857 | [EXP] 1 |
| MP4 | 8930075440 | 3015 RUG SPRING | 1 |
| MP5 | 8930075440 | 3015 RUG SPRING | 1 |
| MP39 | 8930073470 | THERMALLY SHEET (BK) | 1 |

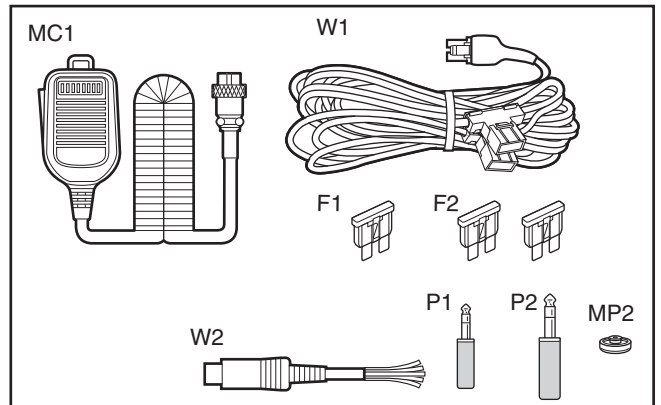
[ACCESSORIES]

| REF NO. | ORDER NO. | DESCRIPTION | QTY. |
|---------|------------|---------------|------|
| P1 | 5610000410 | AP-319 | 1 |
| P2 | 5610000420 | AP-338 | 1 |
| MC1† | - | HM-36-1 | 1 |
| F1 | 5210000840 | ATC 30 | 2 |
| F2 | 5210000940 | 1205 | 1 |
| W1 | 8900013980 | OPC-1457 | 1 |
| W2 | 8900006110 | OPC-596 | 1 |
| MP2 | 8930076480 | 3015 JACK CAP | 1 |

*: Refer to "BOARD LAYOUTS" for the location.

** : Refer to "GENERAL WIRING" for the location.

†: Optional product.



[MIC BOARD] (MC)

| REF NO. | ORDER NO. | DESCRIPTION | QTY. |
|---------|------------|-----------------|------|
| J1 | 6510000191 | FM214-8SS (P)-1 | 1 |
| J2* | 6510019971 | 52808-1071 | 1 |

[PHONE] (PH)

| REF NO. | ORDER NO. | DESCRIPTION | QTY. |
|---------|------------|-------------|------|
| J1 | 6510023891 | S-G4617#01F | 1 |
| J2* | 6510019971 | 52808-1071 | 1 |

[VR-A BOARD] (VA)

| REF NO. | ORDER NO. | DESCRIPTION | QTY. |
|---------|------------|--------------------------------|------|
| R1 | 7210002910 | RV-310 (RK0972210 10KB/10KB) | 1 |
| R2 | 7210002960 | RV-313 (RK0972210 10KB/10KB) * | 1 |
| J1* | 6510026670 | IMSA-6281S-06A-G | 1 |

[VR-B BOARD] (VB)

| REF NO. | ORDER NO. | DESCRIPTION | QTY. |
|---------|------------|--------------------------|------|
| J1* | 6510020711 | 52793-1070 | 1 |
| S1 | 2250000640 | TP96D96E20-22F-B103-3015 | 1 |

[LOGIC UNIT] (L)

| REF NO. | ORDER NO. | DESCRIPTION | QTY. |
|---------|------------|-------------------------|------|
| J1* | 6510018971 | B4B-PH-SM4-TB (LF) (SN) | 1 |
| J3* | 6510019971 | 52808-1071 | 1 |
| J4* | 6510019971 | 52808-1071 | 1 |
| J5* | 6510019971 | 52808-1071 | 1 |
| J101* | 6510024151 | 50FY-BMT-TB (LF) (SN) | 1 |
| J102* | 6510024151 | 50FY-BMT-TB (LF) (SN) | 1 |
| J301* | 6510019971 | 52808-1071 | 1 |
| DS1 | 5030003090 | S11325 | 1 |
| EP2 | 8930076650 | SRCN-3015-SP-N-W | 2 |
| MP1 | 8210024710 | 3015 REFLECTOR | 1 |
| MP2 | 8930074390 | 3015 LCD HOLDER | 1 |
| MP3 | 8930075470 | 3015 LCD FILTER | 1 |

[MAIN UNIT] (M)

| REF NO. | ORDER NO. | DESCRIPTION | QTY. |
|---------|------------|--------------------------|------------|
| J1* | 6510024151 | 50FY-BMT-TB (LF) (SN) | 1 |
| J2* | 6510024151 | 50FY-BMT-TB (LF) (SN) | 1 |
| J4* | 6510024151 | 50FY-BMT-TB (LF) (SN) | 1 |
| J5* | 6510024151 | 50FY-BMT-TB (LF) (SN) | 1 |
| J6* | 6510024151 | 50FY-BMT-TB (LF) (SN) | 1 |
| J7* | 6510007020 | TMP-J01X-V6 | 1 |
| J8* | 6450000140 | HSJ0807-01-010 | 1 |
| J9* | 6450000140 | HSJ0807-01-010 | 1 |
| J11* | 6510019971 | 52808-1071 | 1 |
| J1531* | 6510025840 | AXN316C038P | 1 |
| J3201* | 6510026540 | UBB-4R-D14T-4D (LF) (SN) | 1 |
| J3203* | 6510014961 | B2B-ZR-SM4-TF (LF) (SN) | 1 |
| EP504* | 6910002161 | CASE-BM7H-LF | 1 |
| EP541* | 6910002161 | CASE-BM7H-LF | 1 |
| EP551* | 6910002161 | CASE-BM7H-LF | 1 |
| EP2561* | 6910002161 | CASE-BM7H-LF | 1 |
| EP2566* | 6910002161 | CASE-BM7H-LF | 1 |
| MP1 | 8930077690 | 3015 MAIN EARTH SPRING | [USA] 1 |
| MP1 | 8930077690 | 3015 MAIN EARTH SPRING | [EUR] 1 |
| MP1 | 8930077690 | 3015 MAIN EARTH SPRING | [FRA] 1 |
| MP1 | 8930077690 | 3015 MAIN EARTH SPRING | [ITR] 1 |
| MP1 | 8930077690 | 3015 MAIN EARTH SPRING | [ESP] 1 |
| MP1 | 8930077690 | 3015 MAIN EARTH SPRING | [EUR-01] 1 |
| MP551 | 8930076610 | 3015 LS SPRING | 1 |
| MP581 | 8930057870 | 2429 EARTH SPRING | 1 |
| MP1521 | 8930070510 | THERMALLY SHEET (BF) | 1 |
| MP2501* | 8510015770 | 2590 DSP CASE | 1 |
| MP2541 | 8930070510 | THERMALLY SHEET (BF) | 1 |
| MP2801* | 8510015880 | 2590 S2LO CASE | 1 |
| MP3201 | 8930068000 | SHIELD SPONGE (AT) | [USA] 1 |
| MP3201 | 8930068000 | SHIELD SPONGE (AT) | [EUR] 1 |
| MP3201 | 8930068000 | SHIELD SPONGE (AT) | [FRA] 1 |
| MP3201 | 8930068000 | SHIELD SPONGE (AT) | [ITR] 1 |
| MP3201 | 8930068000 | SHIELD SPONGE (AT) | [ESP] 1 |
| MP3201 | 8930068000 | SHIELD SPONGE (AT) | [EUR-01] 1 |
| MP3202 | 8930078630 | FERRITE SHEET (AB) | 1 |

[RF UNIT] (RF)

| REF NO. | ORDER NO. | DESCRIPTION | QTY. |
|---------|------------|-----------------------|------|
| RL1 | 6330001721 | ATN207-K1 | 1 |
| RL501 | 6330001721 | ATN207-K1 | 1 |
| J5* | 6510024151 | 50FY-BMT-TB (LF) (SN) | 1 |
| J6* | 6510024151 | 50FY-BMT-TB (LF) (SN) | 1 |
| J7 | 6510007020 | TMP-J01X-V6 | 1 |
| J8 | 6510007020 | TMP-J01X-V6 | 1 |
| J10 | 6510007020 | TMP-J01X-V6 | 1 |
| J501 | 6450001641 | TCS5044-0141177 | 1 |
| J502 | 6450001130 | JPJ2042-01-110 | 1 |
| J503 | 6510023900 | LGR4619-7000 | 1 |
| MP1 | 8930075430 | 3015 ANT SPRING | 1 |

[PA UNIT] (PA)

| REF NO. | ORDER NO. | DESCRIPTION | QTY. |
|---------|------------|-------------------------|------------|
| RL1 | 6330001600 | ALD112 | 1 |
| J4* | 6510024151 | 50FY-BMT-TB (LF) (SN) | 1 |
| J8 | 6510007020 | TMP-J01X-V6 | 1 |
| J9 | 6510007020 | TMP-J01X-V6 | 1 |
| J12 | 6510001920 | 1490R | 1 |
| J13 | 6510009890 | PD054-04M | 1 |
| J131* | 6510014961 | B2B-ZR-SM4-TF (LF) (SN) | 1 |
| J132* | 6510014961 | B2B-ZR-SM4-TF (LF) (SN) | 1 |
| F1 | 5220000400 | FHA010-01F | 1 |
| F2 | 5210000940 | 1205 | 1 |
| WS1 | 8600036641 | SX2242 J12 13PA-1 | 1 |
| W40 | 8900018210 | OPC-1942 | [USA] 1 |
| | 8900018220 | OPC-1943 | [EUR] 1 |
| | 8900018220 | OPC-1943 | [FRA] 1 |
| | 8900018220 | OPC-1943 | [ITR] 1 |
| | 8900018220 | OPC-1943 | [ESP] 1 |
| | 8900018220 | OPC-1943 | [EUR-01] 1 |
| | 8900017860 | OPC-1857 | [KOR] 1 |
| | 8900017860 | OPC-1857 | [CHN] 1 |
| | 8900017860 | OPC-1857 | [EXP] 1 |
| MP4 | 8930075440 | 3015 RUG SPRING | 1 |
| MP5 | 8930075440 | 3015 RUG SPRING | 1 |
| MP39 | 8930073470 | THERMALLY SHEET (BK) | 1 |

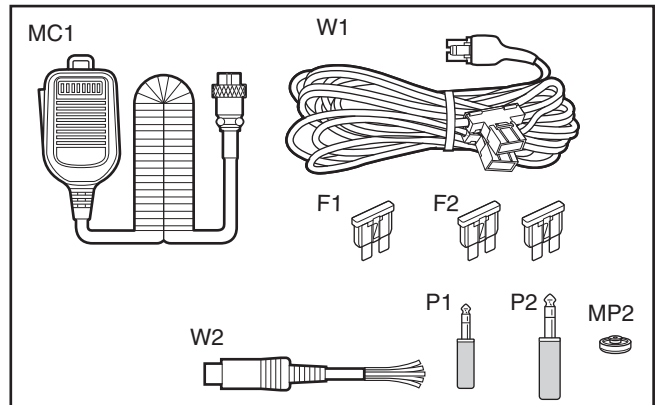
[ACCESSORIES]

| REF NO. | ORDER NO. | DESCRIPTION | QTY. |
|---------|------------|---------------|------|
| P1 | 5610000410 | AP-319 | 1 |
| P2 | 5610000420 | AP-338 | 1 |
| MC1† | - | HM-36-1 | 1 |
| F1 | 5210000840 | ATC 30 | 2 |
| F2 | 5210000940 | 1205 | 1 |
| W1 | 8900013980 | OPC-1457 | 1 |
| W2 | 8900006110 | OPC-596 | 1 |
| MP2 | 8930076480 | 3015 JACK CAP | 1 |

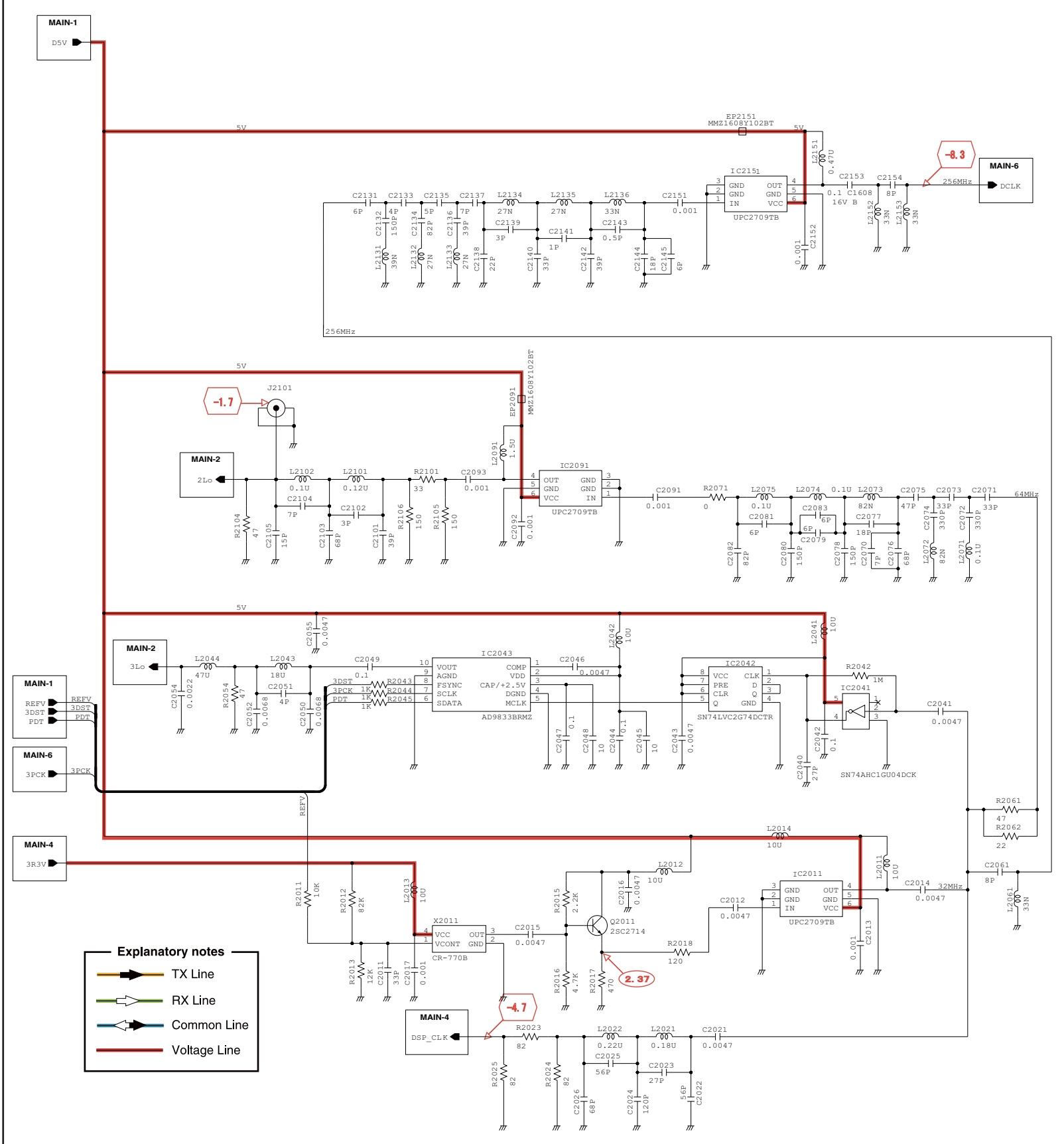
*: Refer to "BOARD LAYOUTS" for the location.

** : Refer to "GENERAL WIRING" for the location.

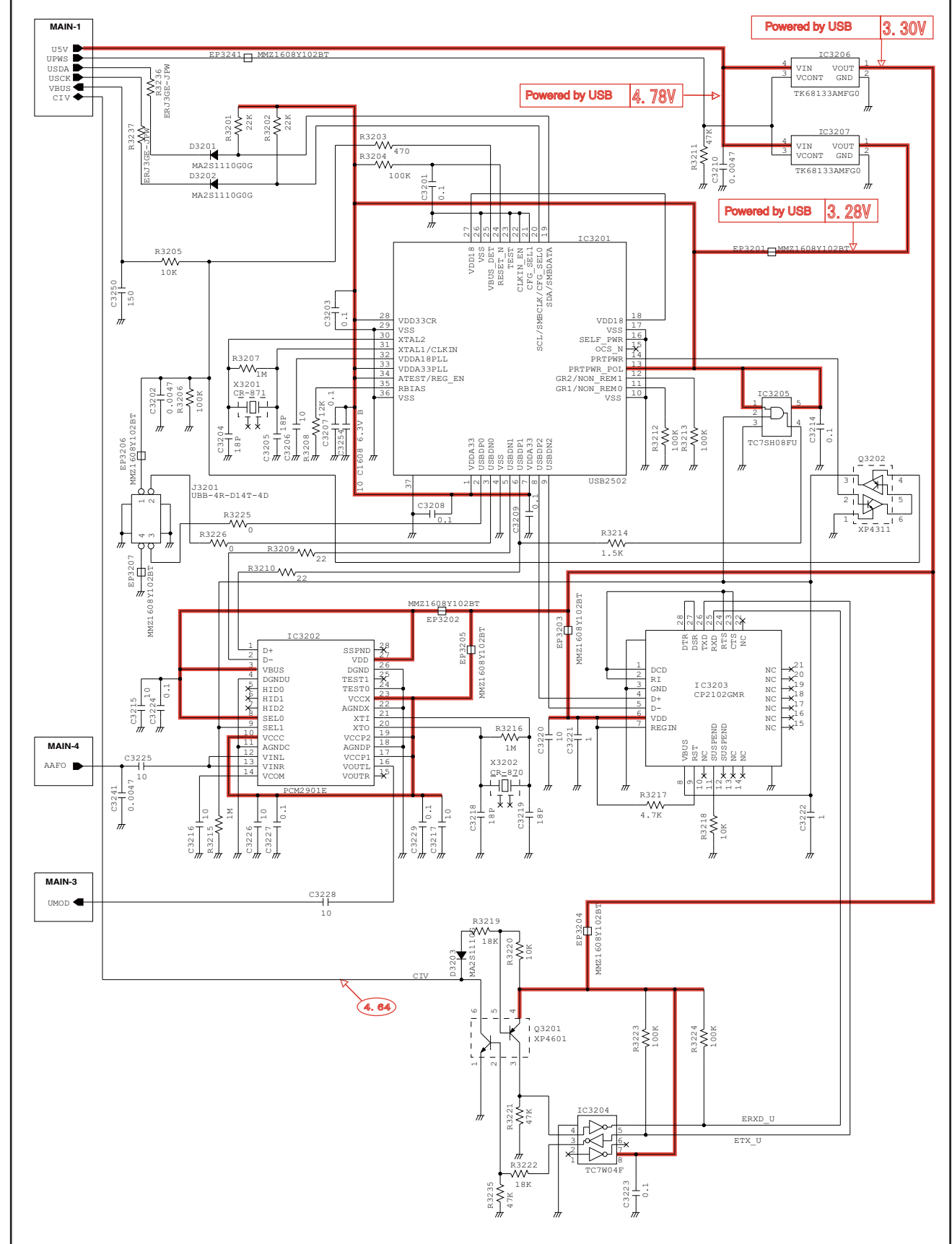
†: Optional product.



• MAIN UNIT (MAIN-5)

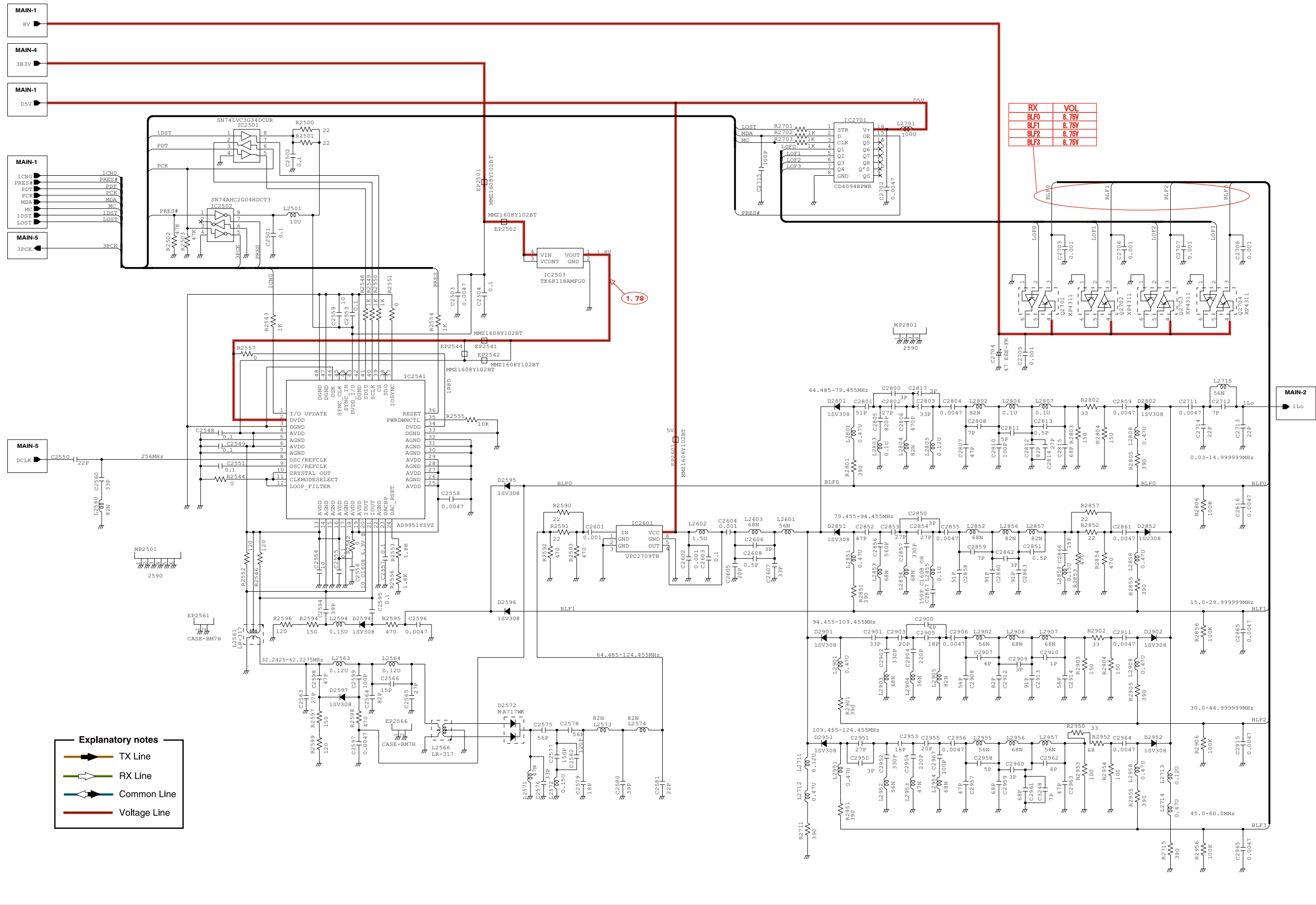


• MAIN UNIT (MAIN-6)



*; Refer to "PARTS LIST."

• MAIN UNIT (MAIN-7)



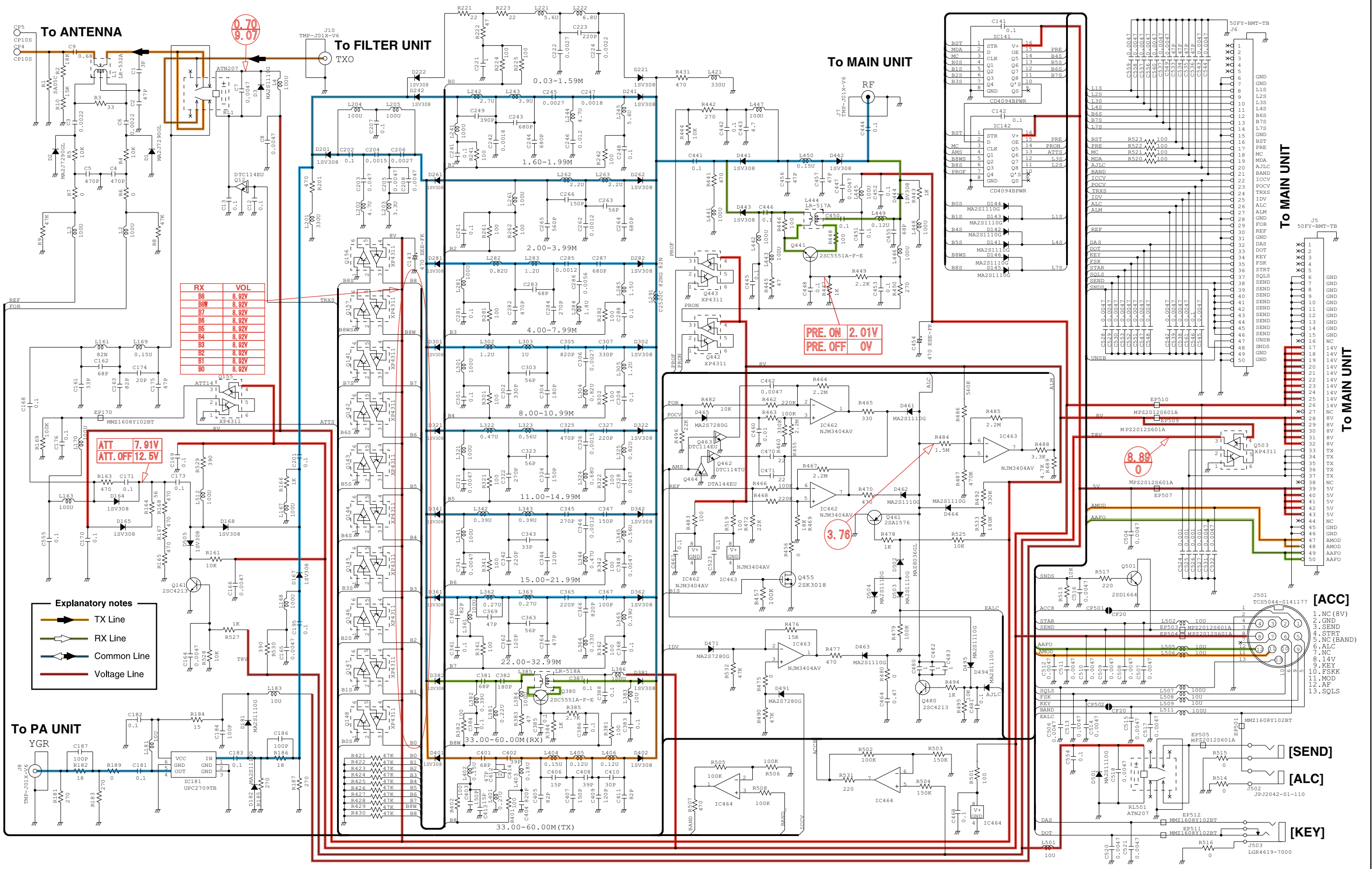
| RX | VOL |
|------|-------|
| BLF0 | 8.75V |
| BLF1 | 8.75V |
| BLF2 | 8.75V |
| BLF3 | 8.75V |

Explanatory notes

- ▶ TX Line
- ▶ RX Line
- ▶ Common Line
- ▶ Voltage Line

*; Refer to "PARTS LIST."

• RF UNIT



| RX | VOL |
|----|-------|
| B9 | 8.02V |
| B8 | 8.02V |
| B7 | 8.02V |
| B6 | 8.02V |
| B5 | 8.02V |
| B4 | 8.02V |
| B3 | 8.02V |
| B2 | 8.02V |
| B1 | 8.02V |
| B0 | 8.02V |

ATT 7.91V
ATT.OFF 12.5V

PRE.ON 2.01V
PRE.OFF 0V

8.89
0

- Explanatory notes**
- TX Line
 - RX Line
 - Common Line
 - Voltage Line

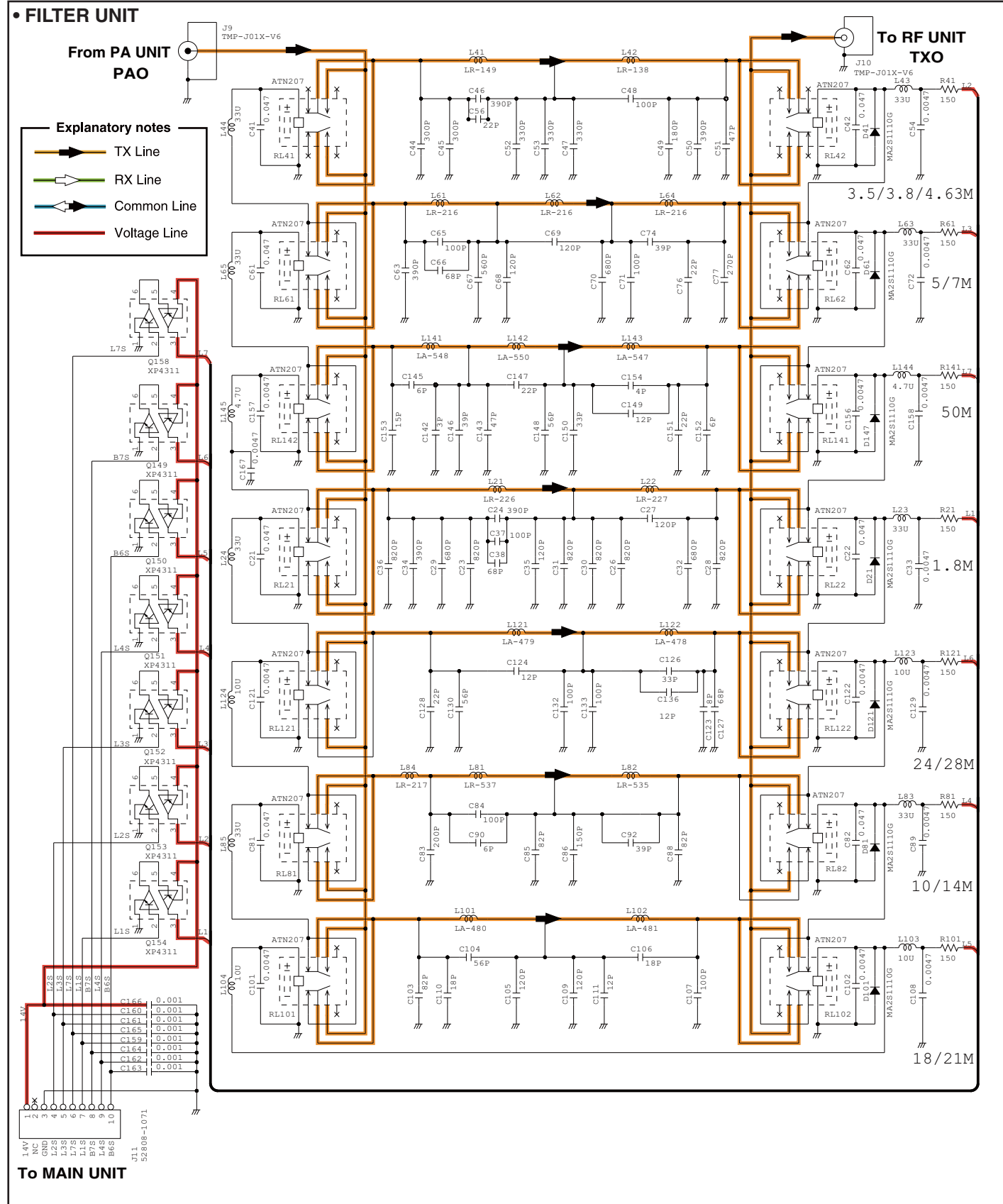
[ACC]

| | |
|----|-----------|
| 1 | NC (8V) |
| 2 | SEND |
| 3 | SEND |
| 4 | STRT |
| 5 | NC (BAND) |
| 6 | ALC |
| 7 | NC |
| 8 | 14V |
| 9 | KEY |
| 10 | FSKK |
| 11 | MOD |
| 12 | AF |
| 13 | SQLS |

[SEND]

[ALC]

[KEY]



Nov. 2008



SERVICE MANUAL ADDENDUM

IC-7200

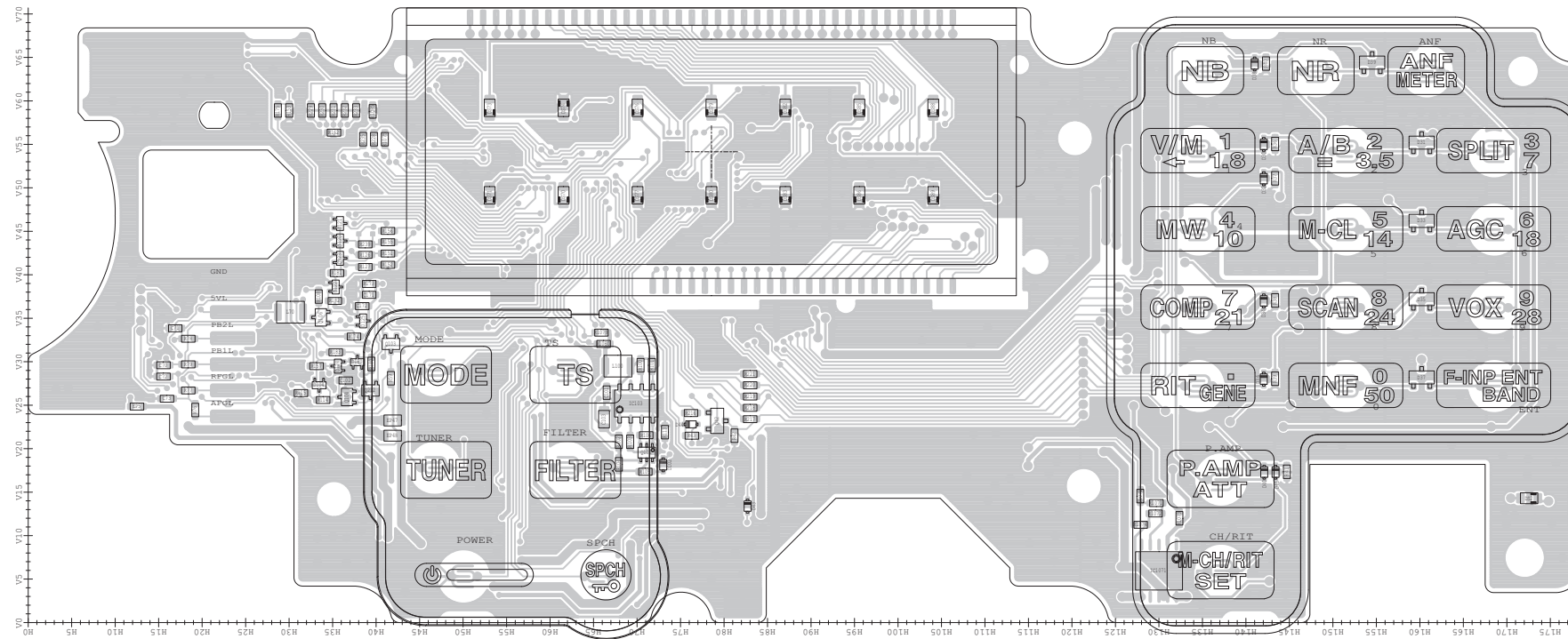
CONTENTS

BOARD LAYOUTS (LOGIC AND MAIN UNITS) 1

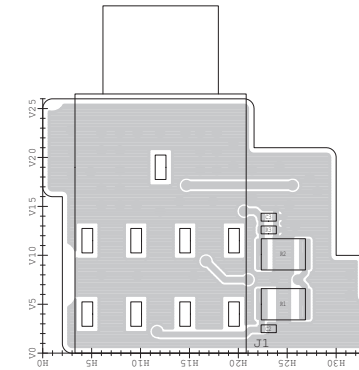
BOARD LAYOUTS

The combination of this side and the bottom side shows the board layout in the same configuration as the actual P.C.Board.

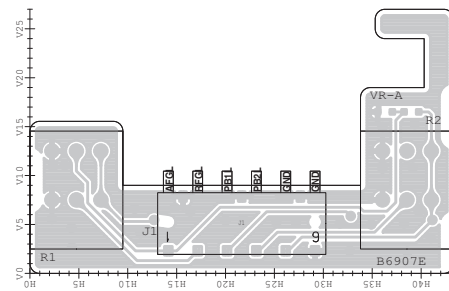
• LOGIC UNIT (TOP VIEW)



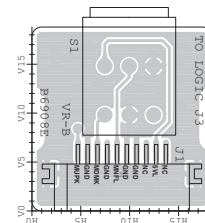
• PHONE UNIT (TOP VIEW)



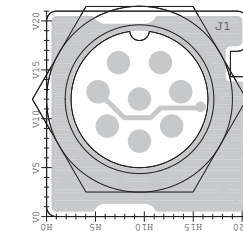
• VR-A UNIT (TOP VIEW)



• VR-B UNIT (TOP VIEW)

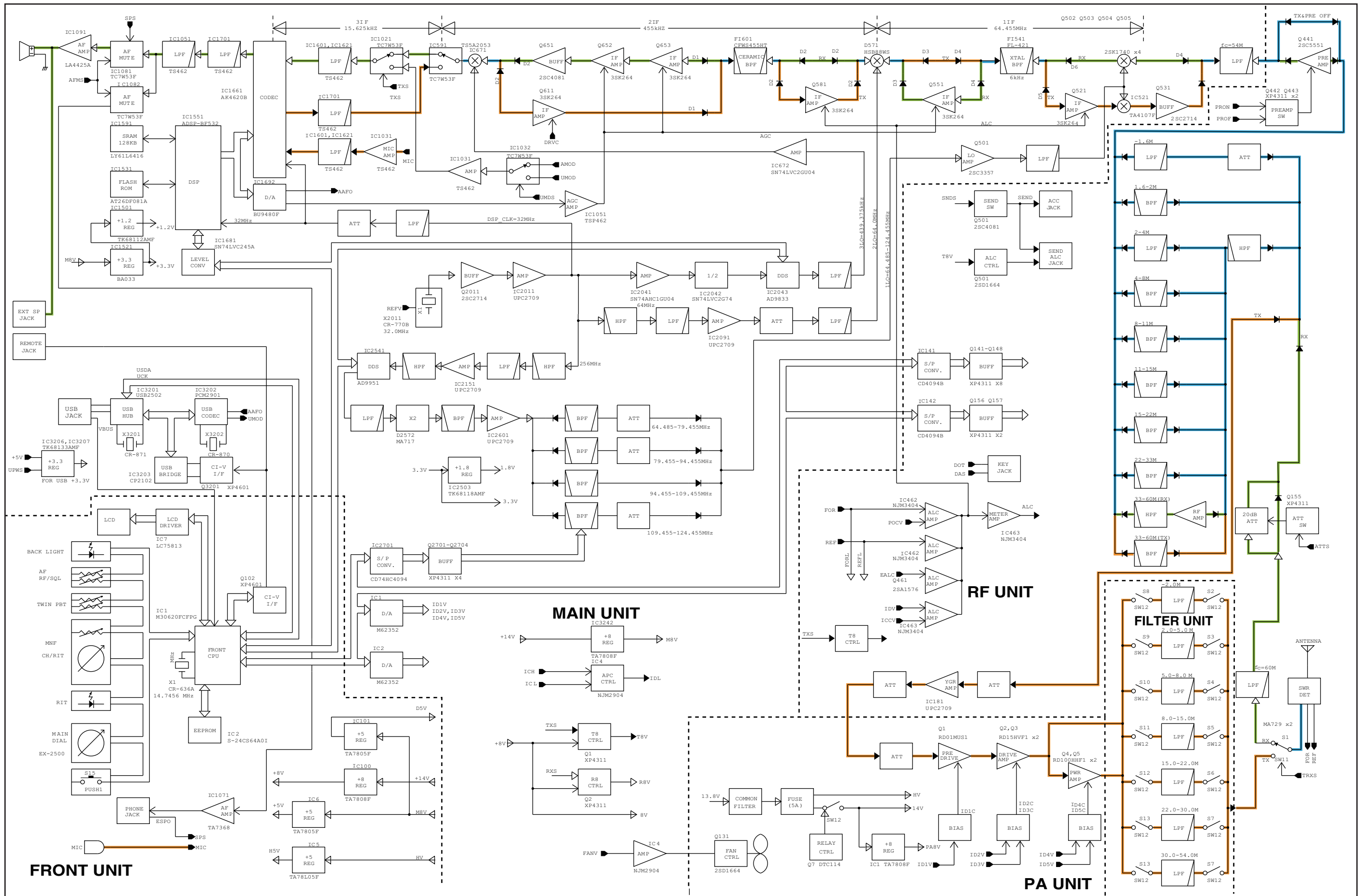


• MIC UNIT (TOP VIEW)



SECTION 9

BLOCK DIAGRAM



Oct. 2008



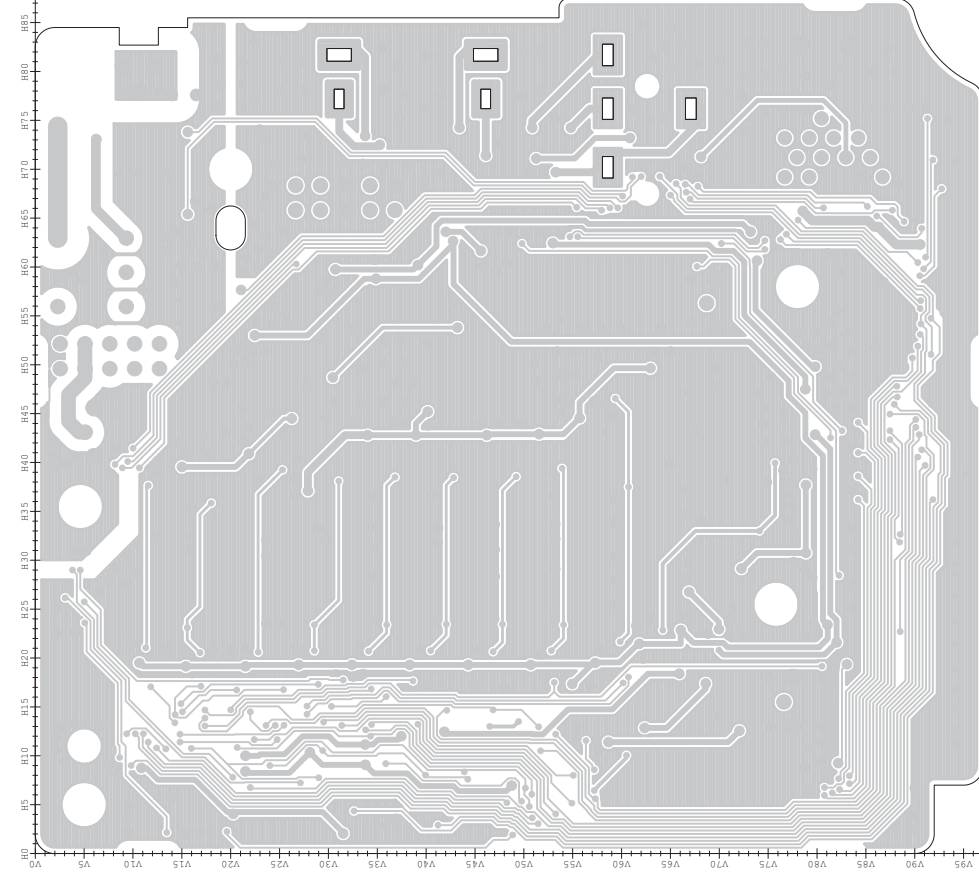
SERVICE MANUAL ADDENDUM

IC-7200

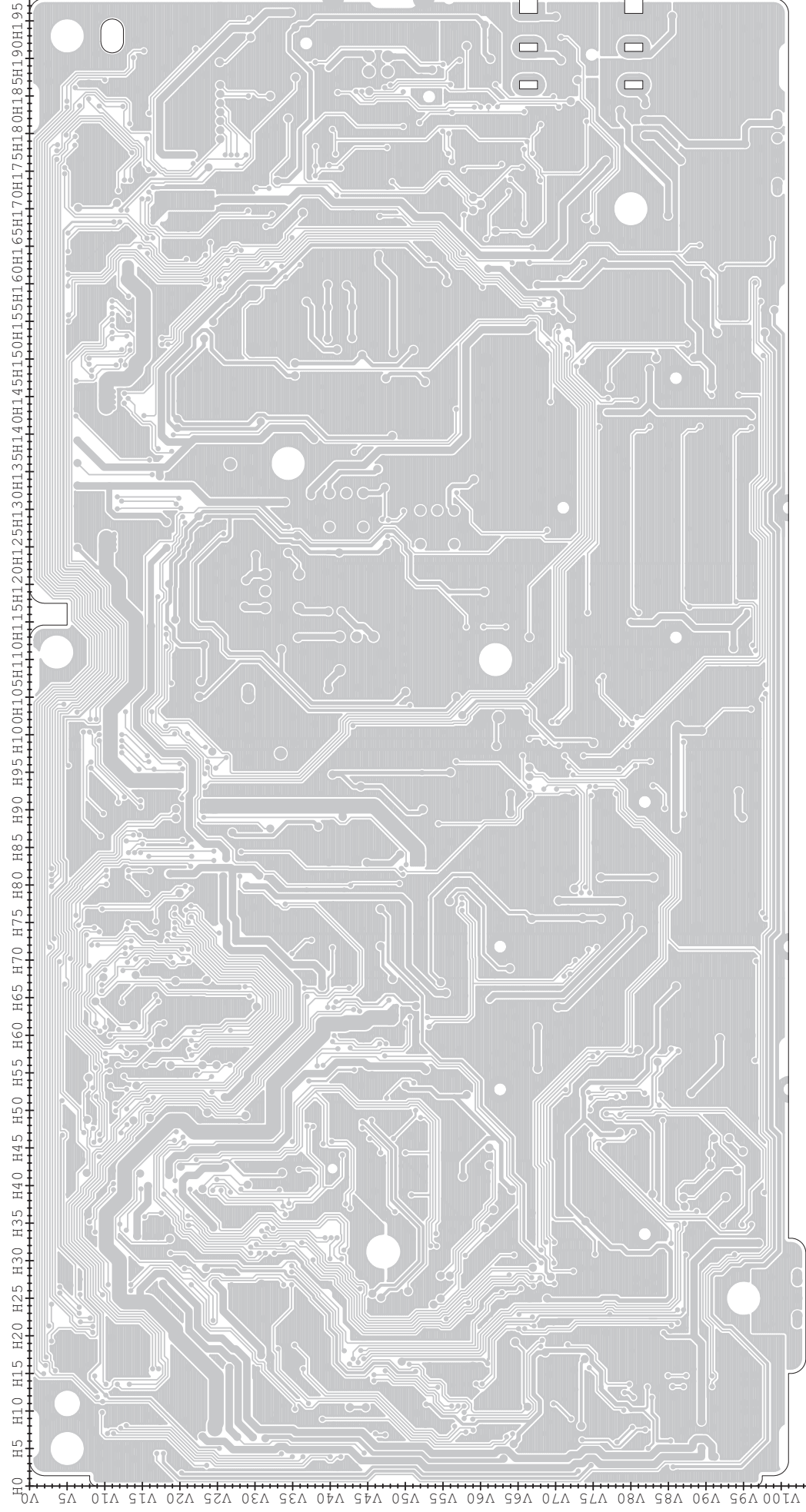
CONTENTS

BOARD LAYOUTS (RF AND MAIN UNITS) 1

• RF UNIT
(TOP VIEW)



• MAIN UNIT
(TOP VIEW)



The combination of this side and the bottom side shows the board layout in the same configuration as the actual P.C.Board.

Oct. 2008



SERVICE MANUAL ADDENDUM

IC-7200

CONTENTS

| | |
|-----------------------|----|
| PARTS LIST | 1 |
| BOARD LAYOUTS | 16 |
| VOLTAGE DIAGRAM | 22 |

PARTS LIST

[MAIN UNIT]

| REF NO. | PARTS NO. | DESCRIPTION | M. | H/V LOCATION |
|---------|------------|----------------------------------|----|--------------|
| IC1 | 1110004310 | S.IC M62352GP 75EC | T | 164.8/26.3 |
| IC2 | 1110004310 | S.IC M62352GP 75EC | T | 103.2/70.8 |
| IC4 | 1110003800 | S.IC NJM2904V-TE1-#FMZB | T | 192.1/31 |
| IC521 | 1110005461 | S.IC TA4107F(TE12L,F) | T | 144.8/38.6 |
| IC591 | 1130008511 | S.IC TC7W53FU(TE12L,F) | T | 78.1/41.9 |
| IC671 | 1130014270 | S.IC TSSA2053DCTR | T | 70.9/35.9 |
| IC672 | 1130014260 | S.IC SN74LVC2GU04DCKR | T | 73.9/29.3 |
| IC1021 | 1130008511 | S.IC TC7W53FU(TE12L,F) | T | 58/47.1 |
| IC1031 | 1110006570 | S.IC TS462CPT | T | 55.2/38.7 |
| IC1032 | 1130008511 | S.IC TC7W53FU(TE12L,F) | T | 103/16.3 |
| IC1051 | 1110006570 | S.IC TS462CPT | T | 18.1/79.5 |
| IC1081 | 1130008511 | S.IC TC7W53FU(TE12L,F) | T | 162.5/95.6 |
| IC1082 | 1130008511 | S.IC TC7W53FU(TE12L,F) | T | 5.6/77.5 |
| IC1091 | 1110003091 | IC LA4425A-E | T | |
| IC1501 | 1180003230 | S.REG TK68112AMFG0L | T | 31/73 |
| IC1511 | 1130012600 | S.IC SN74AHC1G04DCKR | T | 61.6/35.7 |
| IC1521 | 1180002020 | S.REG BA033FP-E2 | T | 27/84.6 |
| IC1531 | 1130014951 | S.IC AT26DF081A-SSU (SX-3015B-1) | T | 46.6/38.3 |
| IC1551 | 1140013590 | S.IC ADSP-BF532SBSTZ400 | T | 50.3/18.6 |
| IC1591 | 1130013560 | S.IC LY61L6416ML-15 | T | 78.4/17.1 |
| IC1601 | 1110006570 | S.IC TS462CPT | T | 44.5/46.9 |
| IC1621 | 1110006570 | S.IC TS462CPT | T | 38.9/55.7 |
| IC1641 | 1110006570 | S.IC TS462CPT | T | 50.1/55.7 |
| IC1661 | 1190002650 | S.IC AK4620BVPF-E2/P | T | 22.9/57.6 |
| IC1681 | 1130011820 | S.IC SN74LVC245APWR | T | 8.9/56.4 |
| IC1691 | 1130013590 | S.IC SN74AHC1G126DCKR | T | 32.2/25.5 |
| IC1692 | 1110004770 | S.IC BU9480F-E2 | T | 14.7/88.9 |
| IC1701 | 1110006570 | S.IC TS462CPT | T | 10.5/70.9 |
| IC2011 | 1110006870 | S.IC UPC2709TB-E3 | T | 71.8/80.1 |
| IC2041 | 1130012610 | S.IC SN74AHC1GU04DCKR | T | 72.9/69.7 |
| IC2042 | 1130013440 | S.IC SN74LVC2G74DCTR | T | 69.3/67.7 |
| IC2043 | 1190001811 | S.IC AD9833BRMZ | T | 74.4/58.7 |
| IC2091 | 1110006870 | S.IC UPC2709TB-E3 | T | 80.3/66.2 |
| IC2151 | 1110006870 | S.IC UPC2709TB-E3 | T | 41.4/77 |
| IC2501 | 1130012850 | S.IC SN74LVC3G34DCUR | T | 52/78.3 |
| IC2502 | 1130012781 | S.IC SN74AHC2G04HDCT3 0 | T | 51.4/82.8 |
| IC2503 | 1180003220 | S.REG TK68118AMFG0L | T | 37/81.9 |
| IC2541 | 1190002101 | S.IC AD9951YSVZ | T | 44.2/92.7 |
| IC2601 | 1110006870 | S.IC UPC2709TB-E3 | T | 97/93.5 |
| IC2701 | 1130011760 | S.IC CD4094BPWR | T | 103.2/80.5 |
| IC3201 | 1190002261 | S.IC USB2502-AEZG | T | 179/59.5 |
| IC3202 | 1190002240 | S.IC PCM2901E/2K | T | 177.3/39.9 |
| IC3203 | 1190002730 | S.IC CP2102GMR | T | 178.1/69.9 |
| IC3204 | 1130005721 | S.IC TC7W04F(TE12L,F) | T | 171.1/70.6 |
| IC3205 | 1130010461 | S.IC TC7SH08FU(TE85L,JF) | T | 169/61.9 |
| IC3206 | 1180003240 | S.REG TK68133AMFG0L | T | 193.6/59 |
| IC3207 | 1180003240 | S.REG TK68133AMFG0L | T | 188/59 |
| IC3242 | 1180003330 | REG TA7808F(Q) 0 | T | |
| Q1 | 1590001960 | S.TRA XP4311(TX) | T | 122.8/18.7 |
| Q2 | 1590001960 | S.TRA XP4311(TX) | T | 117.3/19 |
| Q501 | 1530002680 | S.SRA 2SC3357-T1 | T | 157.1/76.8 |
| Q502 | 1560000641 | S.FET 2SK1740-4/5-TB-E | T | 157.9/38.8 |
| Q503 | 1560000641 | S.FET 2SK1740-4/5-TB-E | T | 157.9/41.9 |
| Q504 | 1560000641 | S.FET 2SK1740-4/5-TB-E | T | 153.8/41.9 |
| Q505 | 1560000641 | S.FET 2SK1740-4/5-TB-E | T | 153.8/38.8 |
| Q506 | 1590001960 | S.SRA XP4311(TX) | T | 162.5/51.1 |
| Q521 | 1580000820 | S.FET 3SK264-5-TG-E | T | 142.3/50.9 |
| Q531 | 1530002371 | S.SRA 2SC2714-O(TE85R,F) | T | 146.4/29 |
| Q551 | 1580000820 | S.FET 3SK264-5-TG-E | T | 134.3/49.6 |
| Q581 | 1580000820 | S.FET 3SK264-5-TG-E | T | 115.5/25.3 |
| Q611 | 1580000820 | S.FET 3SK264-5-TG-E | T | 89.7/32 |
| Q651 | 1530002060 | S.SRA 2SC4081 T106 R | T | 85.8/44.2 |
| Q652 | 1580000820 | S.FET 3SK264-5-TG-E | T | 92.4/50.3 |
| Q653 | 1580000820 | S.FET 3SK264-5-TG-E | T | 98.3/42.6 |
| Q654 | 1530002060 | S.SRA 2SC4081 T106 R | T | 87.5/56.2 |
| Q1531 | 1590001960 | S.SRA XP4311(TX) | T | 26.9/71.1 |
| Q2011 | 1530002371 | S.SRA 2SC2714-O(TE85R,F) | T | 65.8/80.5 |
| Q2701 | 1590001960 | S.SRA XP4311(TX) | T | 145.4/92.5 |
| Q2702 | 1590001960 | S.SRA XP4311(TX) | T | 145.4/88.9 |
| Q2703 | 1590001960 | S.SRA XP4311(TX) | T | 145.4/78.9 |
| Q2704 | 1590001960 | S.SRA XP4311(TX) | T | 145.4/75.3 |
| Q3201 | 1590001650 | S.SRA XP4601(TX) | T | 164.5/70.9 |
| Q3202 | 1590001960 | S.SRA XP4311(TX) | T | 177.2/64.3 |
| D1 | 1790001250 | S.DIO MA2S111-(TX) 0 | T | 192.3/35.1 |
| D31 | 1790001250 | S.DIO MA2S111-(TX) 0 | T | 22.3/4.8 |
| D41 | 1790001250 | S.DIO MA2S111-(TX) 0 | T | 18.6/1.6 |
| D501 | 1790001260 | S.DIO MA2S077-(TX) 0 | T | 166.4/47.1 |
| D521 | 1790001260 | S.DIO MA2S077-(TX) 0 | T | 155.7/60.1 |
| D522 | 1790001260 | S.DIO MA2S077-(TX) 0 | T | 153/59.4 |
| D523 | 1790001260 | S.DIO MA2S077-(TX) 0 | T | 148.1/25.8 |
| D524 | 1790001260 | S.DIO MA2S077-(TX) 0 | T | 144.8/25.9 |
| D525 | 1790001260 | S.DIO MA2S077-(TX) 0 | T | 148.3/44.6 |
| D551 | 1790001260 | S.DIO MA2S077-(TX) 0 | T | 124.3/62.2 |
| D552 | 1790001260 | S.DIO MA2S077-(TX) 0 | T | 123.3/59.7 |
| D553 | 1790001260 | S.DIO MA2S077-(TX) 0 | T | 125.1/59.8 |
| D554 | 1790001260 | S.DIO MA2S077-(TX) 0 | T | 124.4/44.2 |
| D571 | 1750000431 | S.DIO HSB88WSTR-E | T | 113.4/53.2 |
| D581 | 1790001260 | S.DIO MA2S077-(TX) 0 | T | 118.5/39.7 |
| D582 | 1790001260 | S.DIO MA2S077-(TX) 0 | T | 118.5/41.5 |
| D583 | 1790001260 | S.DIO MA2S077-(TX) 0 | T | 112.2/30.5 |
| D584 | 1790001260 | S.DIO MA2S077-(TX) 0 | T | 109.7/31.1 |
| D611 | 1790001260 | S.DIO MA2S077-(TX) 0 | T | 93.3/35.7 |
| D621 | 1790001260 | S.DIO MA2S077-(TX) 0 | T | 82/36.3 |
| D641 | 1790001260 | S.DIO MA2S077-(TX) 0 | T | 96/38 |

[MAIN UNIT]

| REF NO. | PARTS NO. | DESCRIPTION | M. | H/V LOCATION |
|---------|------------|------------------------------------|----|--------------|
| D671 | 1790001260 | S.DIO MA2S077-(TX) 0 | T | 81.4/39.7 |
| D1082 | 1790001240 | S.DIO MA2S728-(TX) 0 | T | 160.1/94.5 |
| D1084 | 1790001240 | S.DIO MA2S728-(TX) 0 | T | 158.9/94.5 |
| D2572 | 1750000620 | S.DIO MA717WK(TX) | T | 79.9/92.7 |
| D2594 | 1790001621 | S.DIO 1SV308(TPL3,F) | T | 54/94.4 |
| D2595 | 1790001621 | S.DIO 1SV308(TPL3,F) | T | 71.2/98.6 |
| D2596 | 1790001621 | S.DIO 1SV308(TPL3,F) | T | 71.2/97.4 |
| D2597 | 1790001621 | S.DIO 1SV308(TPL3,F) | T | 67.9/93.2 |
| D2801 | 1790001621 | S.DIO 1SV308(TPL3,F) | T | 115.5/98.5 |
| D2802 | 1790001621 | S.DIO 1SV308(TPL3,F) | T | 141.1/97.2 |
| D2851 | 1790001621 | S.DIO 1SV308(TPL3,F) | T | 115.8/92.8 |
| D2852 | 1790001621 | S.DIO 1SV308(TPL3,F) | T | 141.1/90.4 |
| D2901 | 1790001621 | S.DIO 1SV308(TPL3,F) | T | 115.8/86 |
| D2902 | 1790001621 | S.DIO 1SV308(TPL3,F) | T | 141.1/83.6 |
| D2951 | 1790001621 | S.DIO 1SV308(TPL3,F) | T | 115.8/79.2 |
| D2952 | 1790001621 | S.DIO 1SV308(TPL3,F) | T | 141.1/76.8 |
| D2955 | 1720000811 | S.VAR HVC358BTRF-E | T | 133/54.4 |
| D2956 | 1720000811 | S.VAR HVC358BTRF-E | T | 135.1/43.4 |
| D3201 | 1790001240 | S.DIO MA2S728-(TX) 0 | T | 174.8/62.6 |
| D3202 | 1790001240 | S.DIO MA2S728-(TX) 0 | T | 173.6/62.3 |
| D3203 | 1790001250 | S.DIO MA2S111-(TX) 0 | T | 164.3/74.3 |
| FI541 | 2010002720 | S.XTA DSF753SBF 64.455 MHz(FL-421) | T | 140/65 |
| FI601 | 2020001330 | CER CFWLA455KHFA-B0 (CFWS455HT) | T | |
| X2011 | 6050012560 | S.XTA CR-770B DSA321SD 32 MHz | T | 62.8/79.6 |
| X3201 | 6050012780 | S.XTA CR-871 DSX321G 24 MHz | T | 178.5/52.1 |
| X3202 | 6050012770 | S.XTA CR-870 DSX321G 12 MHz | T | 177.1/32.2 |
| L1 | 6200007790 | S.COI LQW2BHNR15J03L | T | 141.6/22.6 |
| L2 | 6200002431 | S.COI NLV25T-082J | T | 144.4/23.1 |
| L63 | 6200002041 | S.COI NLV25T-101J | T | 161.3/21.6 |
| L501 | 6200003281 | S.COI NLV25T-2R2J | T | 161.5/77.4 |
| L503 | 6140002810 | S.COI LR-317 | T | 165.1/41.4 |
| L504 | 6140004680 | S.COI LR-528 4KBL | T | 155/29.7 |
| L505 | 6140004680 | S.COI LR-528 4KBL | T | 156/49.1 |
| L506 | 6200003261 | S.COI NLV32T-101J | T | 162.5/48.2 |
| L507 | 6200013240 | S.COI C2012C-R68J-A | T | 159.7/44.5 |
| L508 | 6200013240 | S.COI C2012C-R68J-A | T | 153.8/44.5 |
| L509 | 6200007760 | S.COI LQW2BHNR2NJ03L | T | 154.7/55 |
| L510 | 6200007800 | S.COI LQW2BHNR18J03L | T | 157.5/55.8 |
| L511 | 6200002041 | S.COI NLV25T-101J | T | 161.7/59.1 |
| L517 | 6200002631 | S.COI NLV25T-R10J | T | 160.3/72 |
| L521 | 6200009861 | S.COI NLV25T-1R5J | T | 141.7/45.4 |
| L522 | 6200003261 | S.COI NLV32T-101J | T | 140/28.9 |
| L523 | 6200003261 | S.COI NLV32T-101J | T | 149.6/52.5 |
| L524 | 6200005011 | S.COI NLV25T-100J | T | 141.3/57.6 |
| L525 | 6200002041 | S.COI NLV25T-101J | T | 141.6/34.1 |
| L526 | 6200003261 | S.COI NLV32T-101J | T | 163/56.3 |
| L527 | 6200002181 | S.COI NLV25T-R12J | T | 156.1/63.9 |
| L528 | 6200002041 | S.COI NLV25T-101J | T | 141.5/37 |
| L529 | 6200002041 | S.COI NLV25T-101J | T | 139/41.1 |
| L530 | 6200003261 | S.COI NLV32T-101J | T | 151.2/21.6 |
| L534 | 6200003261 | S.COI NLV32T-101J | T | 148.9/32.8 |
| L541 | 6140004710 | S.COI LR-531 4KBL-S070834 | T | 149.8/64.4 |
| L542 | 6140004710 | S.COI LR-531 4KBL-S070834 | T | 130.1/63.8 |
| L549 | 6200002631 | S.COI NLV25T-R10J | T | 148.3/40 |
| L551 | 6150004280 | COI LS-484B (C-14927) | T | |
| L552 | 6150004280 | COI LS-484B (C-14927) | T | |
| L571 | 6140004680 | S.COI LR-528 4KBL | T | 119.1/53.2 |
| L572 | 6140002810 | S.COI LR-317 | T | 106.4/53.2 |
| L581 | 6150005420 | COI LS-554 7QM | T | |
| L582 | 6200003520 | S.COI ELJFB 102K-F | T | 109.3/25.5 |
| L583 | 6150005410 | COI LS-553 7QM | T | |
| L585 | 6200003520 | S.COI ELJFB 102K-F | T | 91.3/42.9 |
| L586 | 6200003261 | S.COI NLV32T-101J | T | 69/42.5 |
| L600 | 6200003520 | S.COI ELJFB 102K-F | T | 72.2/45.8 |
| L603 | 6200002601 | S.COI NLV25T-047J | T | 167/54.4 |
| L604 | 6200002421 | S.COI NLV25T-068J | T | 166.4/50.5 |
| L615 | 6200003520 | S.COI ELJFB 102K-F | T | 93.1/28.5 |
| L651 | 6200003520 | S.COI ELJFB 102K-F | T | 97/48.8 |
| L652 | 6200003520 | S.COI ELJFB 102K-F | T | 85.2/49.5 |
| L671 | 6200003261 | S.COI NLV32T-101J | T | 69.8/29.9 |
| L672 | 6200005521 | S.COI NLV25T-470J | T | 79.1/30.9 |
| L673 | 6140004680 | S.COI LR-528 4KBL | T | 77.5/36.1 |
| L1021 | 6200003261 | S.COI NLV32T-101J | T | 57.9/52.8 |
| L1031 | 6200003261 | S.COI NLV32T-101J | T | 110.2/19.6 |
| L1081 | 6200002041 | S.COI NLV25T-101J | T | 166.3/91.4 |
| L1082 | 6200002041 | S.COI NLV25T-101J | T | 3.1/81.3 |
| L1091 | 6140002220 | COI LR-270 (TR6X3X2 3A9) | T | |
| L1531 | 6200005011 | S.COI NLV25T-100J | T | 40.3/43.6 |
| L1532 | 6200002041 | S.COI NLV25T-101J | T | 23.7/71.3 |
| L1591 | 6200003261 | S.COI NLV32T-101J | T | 69.2/8.2 |
| L1661 | 6200005011 | S.COI NLV25T-100J | T | 17.4/60.1 |
| L1662 | 6200005011 | S.COI NLV25T-100J | T | 18.7/51.2 |
| L1681 | 6200005011 | S.COI NLV25T-100J | T | 11.9/51.5 |
| L1691 | 6200005011 | S.COI NLV25T-100J | T | 31.9/23 |
| L1692 | 6200005011 | S.COI NLV25T-100J | T | 22.2/89.7 |
| L2011 | 6200005011 | S.COI NLV25T-100J | T | 71.8/77.3 |
| L2012 | 6200005011 | S.COI NLV25T-100J | T | 67.3/83.6 |
| L2013 | 6200005011 | S.COI NLV25T-100J | T | 60.1/83 |
| L2014 | 6200005011 | S.COI NLV25T-100J | T | 69.5/74.6 |
| L2021 | 6200007800 | S.COI LQW2BHNR18J03L | T | 63.7/58.9 |
| L2022 | 6200002841 | S.COI NLV25T-R22J | T | 60.9/58.1 |
| L2041 | 6200005011 | S.COI NLV25T-100J | T | 73.8/64.7 |

M.=Mounted side (T: Mounted on the Top side, B: Mounted on the Bottom side)<

[MAIN UNIT]

| REF NO. | PARTS NO. | DESCRIPTION | M. | H/V LOCATION |
|---------|------------|----------------------------|----|--------------|
| L2042 | 6200005011 | S.COI NLV25T-100J | T | 68.4/53.2 |
| L2043 | 6200005031 | S.COI NLV25T-180J | T | 68.6/60.2 |
| L2044 | 6200005521 | S.COI NLV25T-470J | T | 66.7/57.5 |
| L2061 | 6200002581 | S.COI NLV25T-033J | T | 62.4/67 |
| L2071 | 6200002631 | S.COI NLV25T-R10J | T | 80.8/78.2 |
| L2072 | 6200002431 | S.COI NLV25T-082J | T | 83.8/77.8 |
| L2073 | 6200002431 | S.COI NLV25T-082J | T | 87.3/79.4 |
| L2074 | 6200002631 | S.COI NLV25T-R10J | T | 88/72.8 |
| L2075 | 6200002631 | S.COI NLV25T-R10J | T | 87/70 |
| L2091 | 6200009861 | S.COI NLV25T-1R5J | T | 77.5/65.7 |
| L2101 | 6200002181 | S.COI NLV25T-R12J | T | 94.3/64 |
| L2102 | 6200002631 | S.COI NLV25T-R10J | T | 97.1/63.2 |
| L2131 | 6200002581 | S.COI NLV25T-033J | T | 51.4/67.7 |
| L2132 | 6200003891 | S.COI NLV25T-027J | T | 48.6/67.3 |
| L2133 | 6200003891 | S.COI NLV25T-027J | T | 45.8/67.7 |
| L2134 | 6200003891 | S.COI NLV25T-027J | T | 41/67.7 |
| L2135 | 6200003891 | S.COI NLV25T-027J | T | 38.2/68.1 |
| L2136 | 6200002581 | S.COI NLV25T-033J | T | 37.6/72.4 |
| L2151 | 6200002611 | S.COI NLV25T-R47J | T | 41.5/79.6 |
| L2152 | 6200002581 | S.COI NLV25T-033J | T | 45.2/80.5 |
| L2153 | 6200002581 | S.COI NLV25T-033J | T | 46.6/83.8 |
| L2501 | 6200005011 | S.COI NLV25T-100J | T | 55.4/84.9 |
| L2560 | 6200002431 | S.COI NLV25T-082J | T | 40.6/83.5 |
| L2561 | 6140002810 | S.COI LR-317 | T | 59.9/91.8 |
| L2563 | 6200002181 | S.COI NLV25T-R12J | T | 65.3/93.3 |
| L2564 | 6200002181 | S.COI NLV25T-R12J | T | 65.6/98.7 |
| L2566 | 6140002810 | S.COI LR-317 | T | 74.1/92.6 |
| L2571 | 6200002601 | S.COI NLV25T-047J | T | 83.2/91 |
| L2572 | 6200007790 | S.COI LQW2BHN15J03L | T | 82.7/93.8 |
| L2573 | 6200002431 | S.COI NLV25T-082J | T | 84.7/96.9 |
| L2574 | 6200002431 | S.COI NLV25T-082J | T | 87.6/95.9 |
| L2594 | 6200007790 | S.COI LQW2BHN15J03L | T | 53.5/91.5 |
| L2601 | 6200002411 | S.COI NLV25T-056J | T | 105.6/94.5 |
| L2602 | 6200009861 | S.COI NLV25T-1R5J | T | 99.8/93.3 |
| L2603 | 6200002421 | S.COI NLV25T-068J | T | 102.7/93.9 |
| L2606 | 6200002041 | S.COI NLV25T-101J | T | 136.7/5 |
| L2701 | 6200002041 | S.COI NLV25T-101J | T | 104.9/86.2 |
| L2711 | 6200002181 | S.COI NLV25T-R12J | T | 108.4/93.6 |
| L2712 | 6200002611 | S.COI NLV25T-R47J | T | 107.4/90.8 |
| L2713 | 6200002181 | S.COI NLV25T-R12J | T | 142.7/99.1 |
| L2714 | 6200002611 | S.COI NLV25T-R47J | T | 145.6/98.6 |
| L2715 | 6200002411 | S.COI NLV25T-056J | T | 152.4/80.8 |
| L2801 | 6200002611 | S.COI NLV25T-R47J | T | 114.7/96.3 |
| L2802 | 6200002431 | S.COI NLV25T-082J | T | 126.7/96.2J |
| L2803 | 6200002631 | S.COI NLV25T-R10J | T | 118/96.1 |
| L2804 | 6200002431 | S.COI NLV25T-082J | T | 121.1/95.2J |
| L2805 | 6200002181 | S.COI NLV25T-R12J | T | 123.9/96.1 |
| L2806 | 6200002631 | S.COI NLV25T-R10J | T | 129.5/97.3 |
| L2807 | 6200002631 | S.COI NLV25T-R10J | T | 133/99.1 |
| L2808 | 6200002611 | S.COI NLV25T-R47J | T | 139.3/94.9 |
| L2851 | 6200002611 | S.COI NLV25T-R47J | T | 115.8/90.8 |
| L2852 | 6200002421 | S.COI NLV25T-068J | T | 127.4/89.7 |
| L2853 | 6200002421 | S.COI NLV25T-068J | T | 118.5/89.3 |
| L2854 | 6200002421 | S.COI NLV25T-068J | T | 121.3/88.5 |
| L2855 | 6200002631 | S.COI NLV25T-R10J | T | 124.6/90.8 |
| L2856 | 6200002431 | S.COI NLV25T-082J | T | 130.1/91.3 |
| L2857 | 6200002431 | S.COI NLV25T-082J | T | 132.9/92.3 |
| L2858 | 6200002611 | S.COI NLV25T-R47J | T | 139.3/88.1 |
| L2859 | 6200007790 | S.COI LQW2BHN15J03L | T | 136.6/86.3 |
| L2901 | 6200002611 | S.COI NLV25T-R47J | T | 115.8/84.1 |
| L2902 | 6200002411 | S.COI NLV25T-056J | T | 127.4/82.9 |
| L2903 | 6200002421 | S.COI NLV25T-068J | T | 118.7/82.5 |
| L2904 | 6200002411 | S.COI NLV25T-056J | T | 121.7/81.7 |
| L2905 | 6200002431 | S.COI NLV25T-082J | T | 124.6/83.7 |
| L2906 | 6200002421 | S.COI NLV25T-068J | T | 130.2/84.5 |
| L2907 | 6200002421 | S.COI NLV25T-068J | T | 133/85.5 |
| L2908 | 6200002611 | S.COI NLV25T-R47J | T | 139.3/81.3 |
| L2951 | 6200002611 | S.COI NLV25T-R47J | T | 115.8/77.3 |
| L2952 | 6200002411 | S.COI NLV25T-056J | T | 118.7/74.5 |
| L2953 | 6200002601 | S.COI NLV25T-047J | T | 121.8/76.1 |
| L2954 | 6200002421 | S.COI NLV25T-068J | T | 124.6/75.7 |
| L2955 | 6200002411 | S.COI NLV25T-056J | T | 127.4/76.1 |
| L2956 | 6200002421 | S.COI NLV25T-068J | T | 130.2/77.7 |
| L2957 | 6200002411 | S.COI NLV25T-056J | T | 133/78.7 |
| L2958 | 6200002611 | S.COI NLV25T-R47J | T | 139.3/74.5 |
| L2962 | 6200002041 | S.COI NLV25T-101J | T | 185.6/12.7 |
| L2963 | 6200002041 | S.COI NLV25T-101J | T | 189/12.7 |
| L2964 | 6200002041 | S.COI NLV25T-101J | T | 143.4/4.6 |
| L2965 | 6200002041 | S.COI NLV25T-101J | T | 146.2/4.1 |
| L2966 | 6200002041 | S.COI NLV25T-101J | T | 177.5/4.9 |
| L2967 | 6200002041 | S.COI NLV25T-101J | T | 178.8/7.4 |
| L2968 | 6200002041 | S.COI NLV25T-101J | T | 172.3/2 |
| L2969 | 6200002041 | S.COI NLV25T-101J | T | 172.7/4.5 |
| L2970 | 6200002041 | S.COI NLV25T-101J | T | 166.3/3.5 |
| L2975 | 6200002041 | S.COI NLV25T-101J | T | 189/15.2 |
| L2977 | 6200002041 | S.COI NLV25T-101J | T | 182.6/7.8 |
| L2979 | 6200002041 | S.COI NLV25T-101J | T | 89.5/10.7 |
| L2980 | 6200002041 | S.COI NLV25T-101J | T | 94.8/3.7 |
| L2981 | 6200002041 | S.COI NLV25T-101J | T | 98.3/8 |
| L2982 | 6200002041 | S.COI NLV25T-101J | T | 89.5/13.2 |
| L2983 | 6200002041 | S.COI NLV25T-101J | T | 84.6/2.7 |
| L2984 | 6200002041 | S.COI NLV25T-101J | T | 88/2.7 |
| L2985 | 6200002041 | S.COI NLV25T-101J | T | 91.4/2.7 |
| L2986 | 6200009861 | S.COI NLV25T-1R5J | T | 117.3/47.3 |
| L2987 | 6200009861 | S.COI NLV25T-1R5J | T | 120.4/45.3 |
| R1 | 7030003320 | S.RES ERJ3GEYJ 101 V (100) | T | 179.2/23.5 |
| R2 | 7030003590 | S.RES ERJ3GEYJ 183 V (18K) | T | 186.4/30.4 |
| R3 | 7030003440 | S.RES ERJ3GEYJ 102 V (1K) | T | 29.4/31.3 |
| R4 | 7030003320 | S.RES ERJ3GEYJ 101 V (100) | T | 17.6/17.1 |
| R5 | 7030003440 | S.RES ERJ3GEYJ 102 V (1K) | T | 29.4/28.9 |
| R6 | 7030003440 | S.RES ERJ3GEYJ 102 V (1K) | T | 29.4/30.1 |
| R7 | 7030003440 | S.RES ERJ3GEYJ 102 V (1K) | T | 20.1/22.7 |

[MAIN UNIT]

| REF NO. | PARTS NO. | DESCRIPTION | M. | H/V LOCATION |
|---------|------------|-----------------------------|----|--------------|
| R8 | 7030003440 | S.RES ERJ3GEYJ 102 V (1K) | T | 28.1/35.7 |
| R9 | 7030003440 | S.RES ERJ3GEYJ 102 V (1K) | T | 28.1/37 |
| R10 | 7030003440 | S.RES ERJ3GEYJ 102 V (1K) | T | 28.1/38.2 |
| R11 | 7030003440 | S.RES ERJ3GEYJ 102 V (1K) | T | 19.8/32.7 |
| R12 | 7030003440 | S.RES ERJ3GEYJ 102 V (1K) | T | 20.3/35.1 |
| R13 | 7030003440 | S.RES ERJ3GEYJ 102 V (1K) | T | 17.1/35.8 |
| R14 | 7030003440 | S.RES ERJ3GEYJ 102 V (1K) | T | 28.1/32.5 |
| R15 | 7030003440 | S.RES ERJ3GEYJ 102 V (1K) | T | 28.3/33.9 |
| R16 | 7030003360 | S.RES ERJ3GEYJ 221 V (220) | T | 4.7/32.6 |
| R17 | 7030003800 | S.RES ERJ3GEYJ 105 V (1M) | T | 19/5.5 |
| R18 | 7030003360 | S.RES ERJ3GEYJ 221 V (220) | T | 7.3/38.9 |
| R19 | 7030003590 | S.RES ERJ3GEYJ 183 V (18K) | T | 186.9/29.2 |
| R20 | 7030003830 | S.RES ERJ3GEYJ 185 V (1.8M) | T | 188.3/28 |
| R21 | 7030003860 | S.RES ERJ3GE JPW V | T | 20.3/6.7 |
| R22 | 7030003860 | S.RES ERJ3GE JPW V | T | 190.9/28.3 |
| R23 | 7030003830 | S.RES ERJ3GEYJ 185 V (1.8M) | T | 186.9/31.6 |
| R24 | 7030003860 | S.RES ERJ3GE JPW V | T | 186.9/34 |
| R25 | 7030009591 | S.RES ERA3YED 472V (4.7K) | T | 189.6/34 |
| R26 | 7030007230 | S.RES ERA3YED 102V (1K) | T | 189.6/35.2 |
| R27 | 7030009591 | S.RES ERA3YED 472V (4.7K) | T | 189.6/36.6 |
| R28 | 7030003400 | S.RES ERJ3GEYJ 471 V (470) | T | 190.2/24.3 |
| R29 | 7030003680 | S.RES ERJ3GEYJ 104 V (100K) | T | 193.5/28.4 |
| R30 | 7030005691 | S.RES ERA3YED 123V (12K) | T | 192.4/27.1 |
| R31 | 7030003800 | S.RES ERJ3GEYJ 105 V (1M) | T | 19/4.3 |
| R32 | 7030003320 | S.RES ERJ3GEYJ 101 V (100) | T | 195.6/33.7 |
| R33 | 7030003660 | S.RES ERJ3GEYJ 683 V (68K) | T | 195/27.1 |
| R34 | 7030003660 | S.RES ERJ3GEYJ 683 V (68K) | T | 195/25.8 |
| R35 | 7030003440 | S.RES ERJ3GEYJ 102 V (1K) | T | 29.4/27.7 |
| R36 | 7030003500 | S.RES ERJ3GEYJ 332 V (3.3K) | T | 12.2/11.7 |
| R37 | 7030003640 | S.RES ERJ3GEYJ 473 V (47K) | T | 9.3/14.4 |
| R38 | 7030003360 | S.RES ERJ3GEYJ 221 V (220) | T | 6/44.5 |
| R39 | 7030003440 | S.RES ERJ3GEYJ 102 V (1K) | T | 8.6/43.3 |
| R40 | 7030003800 | S.RES ERJ3GEYJ 105 V (1M) | T | 16.4/5.5 |
| R41 | 7030003800 | S.RES ERJ3GEYJ 105 V (1M) | T | 16.4/30.3 |
| R42 | 7030003560 | S.RES ERJ3GEYJ 103 V (10K) | T | 24/4.2 |
| R500 | 7030004400 | S.RES ERJ3GEYJ 4R7 V (4.7) | T | 154.6/74 |
| R501 | 7030003440 | S.RES ERJ3GEYJ 102 V (1K) | T | 164.6/45.3 |
| R502 | 7030003420 | S.RES ERJ3GEYJ 681 V (680) | T | 158.9/80.1 |
| R503 | 7030003420 | S.RES ERJ3GEYJ 681 V (680) | T | 153.1/76.4 |
| R504 | 7030003470 | S.RES ERJ3GEYJ 182 V (1.8K) | T | 156.3/80.1 |
| R505 | 7030003240 | S.RES ERJ3GEYJ 220 V (22) | T | 153.8/72.8 |
| R506 | 7030003860 | S.RES ERJ3GE JPW V | T | 164.9/37.6 |
| R507 | 7030003560 | S.RES ERJ3GEYJ 103 V (10K) | T | 156.8/44.5 |
| R508 | 7030003400 | S.RES ERJ3GEYJ 471 V (470) | T | 160.8/41.4 |
| R509 | 7030003410 | S.RES ERJ3GEYJ 561 V (560) | T | 157.6/34.5 |
| R510 | 7030003410 | S.RES ERJ3GEYJ 561 V (560) | T | 152.4/34.5 |
| R512 | 7030003440 | S.RES ERJ3GEYJ 102 V (1K) | T | 158.3/58 |
| R515 | 7030003390 | S.RES ERJ3GEYJ 391 V (390) | T | 150.1/47.4 |
| R516 | 7030003440 | S.RES ERJ3GEYJ 102 V (1K) | T | 148.6/46.2 |
| R520 | 7030003360 | S.RES ERJ3GEYJ 221 V (220) | T | 141.3/38.9 |
| R521 | 7030003860 | S.RES ERJ3GE JPW V | T | 141.4/43.5 |
| R522 | 7030003560 | S.RES ERJ3GEYJ 103 V (10K) | T | 142.1/48.6 |
| R523 | 7030003610 | S.RES ERJ3GEYJ 273 V (27K) | T | 145.2/52.6 |
| R524 | 7030003320 | S.RES ERJ3GEYJ 101 V (100) | T | 144.7/45.4 |
| R525 | 7030003340 | S.RES ERJ3GEYJ 151 V (150) | T | 142.1/55.7 |
| R526 | 7030003500 | S.RES ERJ3GEYJ 332 V (3.3K) | T | 142.1/53.3 |
| R527 | 7030003320 | S.RES ERJ3GEYJ 101 V (100) | T | 148.8/55.1 |
| R528 | 7510001541 | S.THR NTCG16 4BH 332JT | T | 145.2/53.9 |
| R529 | 7030003440 | S.RES ERJ3GEYJ 102 V (1K) | T | 145.2/55.1 |
| R530 | 7030003440 | S.RES ERJ3GEYJ 102 V (1K) | T | 141.8/26.2 |
| R531 | 7030003260 | S.RES ERJ3GEYJ 330 V (33) | T | 145.2/49 |
| R532 | 7030003560 | S.RES ERJ3GEYJ 103 V (10K) | T | 145.2/51.4 |
| R533 | 7030003440 | S.RES ERJ3GEYJ 102 V (1K) | T | 168.2/45.6 |
| R534 | 7030003280 | S.RES ERJ3GEYJ 470 V (47) | T | 155.4/61.6 |
| R535 | 7030003400 | S.RES ERJ3GEYJ 471 V (470) | T | 150.5/23.8 |
| R536 | 7030003440 | S.RES ERJ3GEYJ 102 V (1K) | T | 146.9/24.3 |
| R537 | 7030003330 | S.RES ERJ3GEYJ 121 V (120) | T | 148.8/56.3 |
| R539 | 7030003440 | S.RES ERJ3GEYJ 102 V (1K) | T | 150.3/43.1 |
| R540 | 7030003400 | S.RES ERJ3GEYJ 471 V (470) | T | 143.3/28.8 |
| R541 | 7030003440 | S.RES ERJ3GEYJ 102 V (1K) | T | 158.6/64.3 |
| R542 | 7030003440 | S.RES ERJ3GEYJ 102 V (1K) | T | 124.6/66.9 |
| R543 | 7030003480 | S.RES ERJ3GEYJ 222 V (2.2K) | T | 146.1/31.4 |
| R544 | 7030003520 | S.RES ERJ3GEYJ 472 V (4.7K) | T | 146.1/32.6 |
| R545 | 7030003480 | S.RES ERJ3GEYJ 222 V (2.2K) | T | 145.5/33.8 |
| R548 | 7030003340 | S.RES ERJ3GEYJ 151 V (150) | T | 141.8/31.9 |
| R551 | 7030003440 | S.RES ERJ3GEYJ 102 V (1K) | T | 125.2/48.5 |
| R552 | 7030003530 | S.RES ERJ3GEYJ 562 V (5.6K) | T | 135.8/58.1 |
| R553 | 7030003480 | S.RES ERJ3GEYJ 222 V (2.2K) | T | 135.6/52 |
| R554 | 7030003640 | S.RES ERJ3GEYJ 473 V (47K) | T | 131.3/49.7 |
| R555 | 7030003260 | S.RES ERJ3GEYJ 330 V (33) | T | 137.3/49.4 |
| R556 | 7030003560 | S.RES ERJ3GEYJ 103 V (10K) | T | 134.6/47.2 |
| R557 | 7030003320 | S.RES ERJ3GEY | | |

[MAIN UNIT]

| REF NO. | PARTS NO. | DESCRIPTION | M. | H/V LOCATION |
|---------|------------|-----------------------------|----|--------------|
| R602 | 7030003520 | S.RES ERJ3GEYJ 472 V (4.7K) | T | 98/37 |
| R611 | 7030003520 | S.RES ERJ3GEYJ 472 V (4.7K) | T | 91.8/37.5 |
| R614 | 7030003280 | S.RES ERJ3GEYJ 470 V (47) | T | 89.9/26.2 |
| R617 | 7030003860 | S.RES ERJ3GE JPW V | T | 93.3/34.1 |
| R618 | 7030003560 | S.RES ERJ3GEYJ 103 V (10K) | T | 90/29.6 |
| R619 | 7030003260 | S.RES ERJ3GEYJ 330 V (33) | T | 90.1/35.7 |
| R620 | 7030003600 | S.RES ERJ3GEYJ 223 V (22K) | T | 86.7/33.2 |
| R621 | 7030003640 | S.RES ERJ3GEYJ 473 V (47K) | T | 87.3/35.6 |
| R622 | 7030003860 | S.RES ERJ3GE JPW V | T | 86.7/34.4 |
| R623 | 7030003560 | S.RES ERJ3GEYJ 103 V (10K) | T | 86.3/29.7 |
| R624 | 7030003400 | S.RES ERJ3GEYJ 471 V (470) | T | 86.3/30.9 |
| R652 | 7030003280 | S.RES ERJ3GEYJ 470 V (47) | T | 87.3/42.1 |
| R653 | 7030003400 | S.RES ERJ3GEYJ 471 V (470) | T | 85.9/41.2 |
| R654 | 7030003610 | S.RES ERJ3GEYJ 273 V (27K) | T | 88.3/45.6 |
| R655 | 7030003640 | S.RES ERJ3GEYJ 473 V (47K) | T | 88.3/46.8 |
| R656 | 7030003480 | S.RES ERJ3GEYJ 222 V (2.2K) | T | 94.1/53.1 |
| R657 | 7030003480 | S.RES ERJ3GEYJ 222 V (2.2K) | T | 92.6/55.5 |
| R658 | 7030003480 | S.RES ERJ3GEYJ 222 V (2.2K) | T | 88.3/51.2 |
| R659 | 7030003320 | S.RES ERJ3GEYJ 101 V (100) | T | 88.3/52.4 |
| R660 | 7510001541 | S.THE NTCG16 4BH 332JT | T | 96.7/54.3 |
| R661 | 7030003560 | S.RES ERJ3GEYJ 103 V (10K) | T | 88.9/59.5 |
| R662 | 7030003560 | S.RES ERJ3GEYJ 103 V (10K) | T | 90/56.2 |
| R663 | 7510001541 | S.THE NTCG16 4BH 332JT | T | 94.1/54.3 |
| R664 | 7030003280 | S.RES ERJ3GEYJ 470 V (47) | T | 95/46.3 |
| R665 | 7030003520 | S.RES ERJ3GEYJ 472 V (4.7K) | T | 99.6/45.1 |
| R666 | 7030003320 | S.RES ERJ3GEYJ 101 V (100) | T | 95.5/42.7 |
| R667 | 7030003520 | S.RES ERJ3GEYJ 472 V (4.7K) | T | 101.2/41.9 |
| R668 | 7030003670 | S.RES ERJ3GEYJ 823 V (82K) | T | 96.6/40.3 |
| R669 | 7030003620 | S.RES ERJ3GEYJ 333 V (33K) | T | 100.5/39.1 |
| R670 | 7510001541 | S.THE NTCG16 4BH 332JT | T | 95.5/43.9 |
| R671 | 7030003260 | S.RES ERJ3GEYJ 330 V (33) | T | 92.4/48 |
| R672 | 7030003400 | S.RES ERJ3GEYJ 471 V (470) | T | 88.9/53.6 |
| R674 | 7030003860 | S.RES ERJ3GE JPW V | T | 84.7/42.2 |
| R675 | 7030003400 | S.RES ERJ3GEYJ 471 V (470) | T | 82.1/42.2 |
| R676 | 7030003520 | S.RES ERJ3GEYJ 472 V (4.7K) | T | 66.9/32.1 |
| R677 | 7030003520 | S.RES ERJ3GEYJ 472 V (4.7K) | T | 66.9/33.3 |
| R678 | 7030003480 | S.RES ERJ3GEYJ 222 V (2.2K) | T | 70.9/39.5 |
| R679 | 7030003480 | S.RES ERJ3GEYJ 222 V (2.2K) | T | 73.5/39.5 |
| R680 | 7030003400 | S.RES ERJ3GEYJ 471 V (470) | T | 82.3/34.5 |
| R681 | 7030003680 | S.RES ERJ3GEYJ 104 V (100K) | T | 74.4/27.4 |
| R682 | 7030003440 | S.RES ERJ3GEYJ 102 V (1K) | T | 74.4/26.2 |
| R684 | 7030003530 | S.RES ERJ3GEYJ 562 V (5.6K) | T | 95.3/51.3 |
| R685 | 7030004040 | S.RES ERJ3GEYJ 4R7 V (4.7) | T | 78.9/26.8 |
| R686 | 7030003440 | S.RES ERJ3GEYJ 102 V (1K) | T | 78.1/28.6 |
| R687 | 7030003440 | S.RES ERJ3GEYJ 102 V (1K) | T | 77/27.4 |
| R1021 | 7030003520 | S.RES ERJ3GEYJ 472 V (4.7K) | T | 56.6/50.6 |
| R1022 | 7030003520 | S.RES ERJ3GEYJ 472 V (4.7K) | T | 56.6/49.4 |
| R1023 | 7030003320 | S.RES ERJ3GEYJ 101 V (100) | T | 59.2/50.6 |
| R1024 | 7030003640 | S.RES ERJ3GEYJ 473 V (47K) | T | 54.5/48.5 |
| R1025 | 7030003640 | S.RES ERJ3GEYJ 473 V (47K) | T | 63.6/45.6 |
| R1026 | 7030003640 | S.RES ERJ3GEYJ 473 V (47K) | T | 60.6/39.6 |
| R1031 | 7030003420 | S.RES ERJ3GEYJ 681 V (680) | T | 107.6/17.5 |
| R1032 | 7030003560 | S.RES ERJ3GEYJ 103 V (10K) | T | 110.9/16.4 |
| R1033 | 7030003520 | S.RES ERJ3GEYJ 472 V (4.7K) | T | 50.1/44.2 |
| R1034 | 7030003860 | S.RES ERJ3GE JPW V | T | 52.7/45.4 |
| R1035 | 7030003680 | S.RES ERJ3GEYJ 104 V (100K) | T | 51.9/41.8 |
| R1036 | 7030003320 | S.RES ERJ3GEYJ 101 V (100) | T | 61.7/41 |
| R1037 | 7030003680 | S.RES ERJ3GEYJ 104 V (100K) | T | 62.4/38.7 |
| R1038 | 7030003320 | S.RES ERJ3GEYJ 101 V (100) | T | 106.8/19.9 |
| R1039 | 7030003640 | S.RES ERJ3GEYJ 473 V (47K) | T | 99.4/18.2 |
| R1040 | 7030003640 | S.RES ERJ3GEYJ 473 V (47K) | T | 102/18.9 |
| R1041 | 7030003460 | S.RES ERJ3GEYJ 152 V (1.5K) | T | 110.9/15.2 |
| R1042 | 7030003560 | S.RES ERJ3GEYJ 103 V (10K) | T | 110.9/14.2 |
| R1043 | 7030003620 | S.RES ERJ3GEYJ 333 V (33K) | T | 50.8/36.9 |
| R1044 | 7030003640 | S.RES ERJ3GEYJ 473 V (47K) | T | 56.1/42.4 |
| R1045 | 7030003530 | S.RES ERJ3GEYJ 562 V (5.6K) | T | 52.8/36.2 |
| R1052 | 7030003560 | S.RES ERJ3GEYJ 103 V (10K) | T | 15.1/78.6 |
| R1053 | 7030003560 | S.RES ERJ3GEYJ 103 V (10K) | T | 18.1/85.2 |
| R1054 | 7030003600 | S.RES ERJ3GEYJ 223 V (22K) | T | 21.2/78.2 |
| R1055 | 7030003320 | S.RES ERJ3GEYJ 101 V (100) | T | 15.1/76.2 |
| R1056 | 7030003860 | S.RES ERJ3GE JPW V | T | 10.9/84.4 |
| R1057 | 7030003600 | S.RES ERJ3GEYJ 223 V (22K) | T | 21.2/79.4 |
| R1058 | 7030003680 | S.RES ERJ3GEYJ 104 V (100K) | T | 21.2/81.8 |
| R1059 | 7030003620 | S.RES ERJ3GEYJ 333 V (33K) | T | 18.1/84 |
| R1060 | 7030003440 | S.RES ERJ3GEYJ 102 V (1K) | T | 15.4/84 |
| R1061 | 7030003320 | S.RES ERJ3GEYJ 101 V (100) | T | 15.1/82.2 |
| R1063 | 7030003640 | S.RES ERJ3GEYJ 473 V (47K) | T | 18.7/70.3 |
| R1064 | 7030003640 | S.RES ERJ3GEYJ 473 V (47K) | T | 15.1/79.8 |
| R1070 | 7030003520 | S.RES ERJ3GEYJ 472 V (4.7K) | T | 163.1/88.8 |
| R1071 | 7030003520 | S.RES ERJ3GEYJ 472 V (4.7K) | T | 159.6/89.1 |
| R1072 | 7030003560 | S.RES ERJ3GEYJ 103 V (10K) | T | 162.2/91.2 |
| R1073 | 7030003560 | S.RES ERJ3GEYJ 103 V (10K) | T | 159.6/91.5 |
| R1074 | 7030003560 | S.RES ERJ3GEYJ 103 V (10K) | T | 164.3/98.8 |
| R1075 | 7030003520 | S.RES ERJ3GEYJ 472 V (4.7K) | T | 9.4/80.8 |
| R1076 | 7030003520 | S.RES ERJ3GEYJ 472 V (4.7K) | T | 9.4/83.2 |
| R1077 | 7030003560 | S.RES ERJ3GEYJ 103 V (10K) | T | 5.3/74.3 |
| R1078 | 7030003560 | S.RES ERJ3GEYJ 103 V (10K) | T | 6.7/83.2 |
| R1079 | 7030003560 | S.RES ERJ3GEYJ 103 V (10K) | T | 6.8/81.1 |
| R1080 | 7030003440 | S.RES ERJ3GEYJ 102 V (1K) | T | 158.2/96.4 |
| R1081 | 7030003280 | S.RES ERJ3GEYJ 470 V (47) | T | 159.6/92.7 |
| R1083 | 7030003640 | S.RES ERJ3GEYJ 473 V (47K) | T | 165.8/94.9 |
| R1084 | 7030003800 | S.RES ERJ3GEYJ 105 V (1M) | T | 157/95.1 |
| R1086 | 7030003320 | S.RES ERJ3GEYJ 101 V (100) | T | 165.8/93.7 |
| R1087 | 7030003320 | S.RES ERJ3GEYJ 101 V (100) | T | 2.7/79.4 |
| R1088 | 7030003280 | S.RES ERJ3GEYJ 470 V (47) | T | 8.5/75.8 |
| R1089 | 7030003640 | S.RES ERJ3GEYJ 473 V (47K) | T | 8.5/79.4 |
| R1090 | 7030003440 | S.RES ERJ3GEYJ 102 V (1K) | T | 8.5/78.2 |
| R1091 | 7030003860 | S.RES ERJ3GE JPW V | T | 173.8/84.5 |
| R1092 | 7030003560 | S.RES ERJ3GEYJ 103 V (10K) | T | 164.3/100.1 |
| R1093 | 7030003440 | S.RES ERJ3GEYJ 102 V (1K) | T | 168.4/97.6 |
| R1094 | 7030003400 | S.RES ERJ3GEYJ 471 V (470) | T | 183.2/83.9 |
| R1095 | 7030004040 | S.RES ERJ3GEYJ 4R7 V (4.7) | T | 186.8/86.7 |
| R1096 | 7030010260 | S.RES ERJ1TYJ 3R3 U | T | 176.3/82 |
| R1514 | 7030003320 | S.RES ERJ3GEYJ 101 V (100) | T | 63.8/32.1 |

[MAIN UNIT]

| REF NO. | PARTS NO. | DESCRIPTION | M. | H/V LOCATION |
|---------|------------|-----------------------------|----|--------------|
| R1515 | 7030003800 | S.RES ERJ3GEYJ 105 V (1M) | T | 59.6/35.5 |
| R1516 | 7030003320 | S.RES ERJ3GEYJ 101 V (100) | T | 58.3/35.5 |
| R1521 | 7030003860 | S.RES ERJ3GE JPW V | T | 2.7/53.7 |
| R1531 | 7030003560 | S.RES ERJ3GEYJ 103 V (10K) | T | 46.1/41.7 |
| R1532 | 7030003440 | S.RES ERJ3GEYJ 102 V (1K) | T | 33.2/57.9 |
| R1548 | 7030003860 | S.RES ERJ3GE JPW V | T | 29.1/16 |
| R1549 | 7030003860 | S.RES ERJ3GE JPW V | T | 65.9/37.8 |
| R1550 | 7030003860 | S.RES ERJ3GE JPW V | T | 55.7/35.5 |
| R1553 | 7030003320 | S.RES ERJ3GEYJ 101 V (100) | T | 56.9/34 |
| R1554 | 7030003560 | S.RES ERJ3GEYJ 103 V (10K) | T | 53.3/34 |
| R1555 | 7030003560 | S.RES ERJ3GEYJ 103 V (10K) | T | 49.7/34 |
| R1556 | 7030003560 | S.RES ERJ3GEYJ 103 V (10K) | T | 66.2/23.4 |
| R1557 | 7030003560 | S.RES ERJ3GEYJ 103 V (10K) | T | 65/23.8 |
| R1558 | 7030003560 | S.RES ERJ3GEYJ 103 V (10K) | T | 43.5/3.2 |
| R1559 | 7030003560 | S.RES ERJ3GEYJ 103 V (10K) | T | 42.3/3.2 |
| R1591 | 7030003860 | S.RES ERJ3GE JPW V | T | 82.8/9.2 |
| R1601 | 7030003320 | S.RES ERJ3GEYJ 101 V (100) | T | 52.6/48.8 |
| R1602 | 7030003520 | S.RES ERJ3GEYJ 472 V (4.7K) | T | 38.7/48.2 |
| R1603 | 7030003520 | S.RES ERJ3GEYJ 472 V (4.7K) | T | 44.2/50.8 |
| R1604 | 7030003520 | S.RES ERJ3GEYJ 472 V (4.7K) | T | 40.9/49.4 |
| R1605 | 7030003520 | S.RES ERJ3GEYJ 472 V (4.7K) | T | 49.8/46.4 |
| R1606 | 7030003520 | S.RES ERJ3GEYJ 472 V (4.7K) | T | 45.9/44.4 |
| R1607 | 7030003520 | S.RES ERJ3GEYJ 472 V (4.7K) | T | 49.8/47.6 |
| R1621 | 7030003320 | S.RES ERJ3GEYJ 101 V (100) | T | 41.9/58.7 |
| R1622 | 7030003490 | S.RES ERJ3GEYJ 272 V (2.7K) | T | 37.2/52 |
| R1623 | 7030003490 | S.RES ERJ3GEYJ 272 V (2.7K) | T | 37.2/50.8 |
| R1624 | 7030003490 | S.RES ERJ3GEYJ 272 V (2.7K) | T | 40.3/52 |
| R1625 | 7030003490 | S.RES ERJ3GEYJ 272 V (2.7K) | T | 40.3/50.8 |
| R1626 | 7030003460 | S.RES ERJ3GEYJ 152 V (1.5K) | T | 36/59.4 |
| R1627 | 7030003460 | S.RES ERJ3GEYJ 152 V (1.5K) | T | 38.9/58.2 |
| R1628 | 7030003320 | S.RES ERJ3GEYJ 101 V (100) | T | 33.2/59.4 |
| R1629 | 7030003320 | S.RES ERJ3GEYJ 101 V (100) | T | 38.9/60.6 |
| R1641 | 7030003320 | S.RES ERJ3GEYJ 101 V (100) | T | 52.8/59.4 |
| R1642 | 7030003490 | S.RES ERJ3GEYJ 272 V (2.7K) | T | 50.1/53.2 |
| R1643 | 7030003490 | S.RES ERJ3GEYJ 272 V (2.7K) | T | 47.5/52 |
| R1644 | 7030003490 | S.RES ERJ3GEYJ 272 V (2.7K) | T | 52.7/53.2 |
| R1645 | 7030003490 | S.RES ERJ3GEYJ 272 V (2.7K) | T | 52/52 |
| R1646 | 7030003460 | S.RES ERJ3GEYJ 152 V (1.5K) | T | 47/59.7 |
| R1647 | 7030003460 | S.RES ERJ3GEYJ 152 V (1.5K) | T | 49.8/58.4 |
| R1648 | 7030003320 | S.RES ERJ3GEYJ 101 V (100) | T | 44.4/59.7 |
| R1649 | 7030003320 | S.RES ERJ3GEYJ 101 V (100) | T | 49.8/60.9 |
| R1661 | 7030003320 | S.RES ERJ3GEYJ 101 V (100) | T | 22/64.2 |
| R1662 | 7030003320 | S.RES ERJ3GEYJ 101 V (100) | T | 29/61.3 |
| R1663 | 7030003860 | S.RES ERJ3GE JPW V | T | 29/58.9 |
| R1664 | 7030003320 | S.RES ERJ3GEYJ 101 V (100) | T | 29/60.1 |
| R1665 | 7030003320 | S.RES ERJ3GEYJ 101 V (100) | T | 29/62.5 |
| R1666 | 7030003860 | S.RES ERJ3GE JPW V | T | 21.7/51.4 |
| R1667 | 7030003520 | S.RES ERJ3GEYJ 472 V (4.7K) | T | 19.1/49.9 |
| R1668 | 7030003500 | S.RES ERJ3GEYJ 432 V (3.3K) | T | 21.7/49.9 |
| R1669 | 7030003320 | S.RES ERJ3GEYJ 101 V (100) | T | 35.1/13.6 |
| R1686 | 7030003640 | S.RES ERJ3GEYJ 473 V (47K) | T | 2.7/61.6 |
| R1687 | 7030003640 | S.RES ERJ3GEYJ 473 V (47K) | T | 29.4/26.5 |
| R1688 | 7030003860 | S.RES ERJ3GE JPW V | T | 24.1/1.6 |
| R1691 | 7030003320 | S.RES ERJ3GEYJ 101 V (100) | T | 19.7/87.6 |
| R1692 | 7030003320 | S.RES ERJ3GEYJ 101 V (100) | T | 20.1/86.4 |
| R1693 | 7030003320 | S.RES ERJ3GEYJ 101 V (100) | T | 19.8/89.5 |
| R1701 | 7030003440 | S.RES ERJ3GEYJ 102 V (1K) | T | 10.8/64.3 |
| R1702 | 7030003520 | S.RES ERJ3GEYJ 472 V (4.7K) | T | 6/65.5 |
| R1703 | 7030003520 | S.RES ERJ3GEYJ 472 V (4.7K) | T | 9/63.6 |
| R1704 | 7030003500 | S.RES ERJ3GEYJ 332 V (3.3K) | T | 9/64.8 |
| R1705 | 7030003440 | S.RES ERJ3GEYJ 102 V (1K) | T | 18.2/63.6 |
| R1706 | 7030003520 | S.RES ERJ3GEYJ 472 V (4.7K) | T | 12.7/63.6 |
| R1707 | 7030003520 | S.RES ERJ3GEYJ 472 V (4.7K) | T | 15.6/63.6 |
| R1708 | 7030003500 | S.RES ERJ3GEYJ 332 V (3.3K) | T | 15.6/64.8 |
| R1709 | 7030003500 | S.RES ERJ3GEYJ 332 V (3.3K) | T | 5.4/69.1 |
| R1710 | 7030003540 | S.RES ERJ3GEYJ 682 V (6.8K) | T | 5.4/67.9 |
| R1711 | 7030003540 | S.RES ERJ3GEYJ 682 V (6.8K) | T | 8.6/66 |
| R1712 | 7030003500 | S.RES ERJ3GEYJ 332 V (3.3K) | T | 12.7/67.2 |
| R1713 | 7030003540 | S.RES ERJ3GEYJ 682 V (6.8K) | T | 12.7/66 |
| R1714 | 7030003540 | S.RES ERJ3GEYJ 682 V (6.8K) | T | 15.6/66 |
| R1716 | 7030003320 | S.RES ERJ3GEYJ 101 V (100) | T | 12.4/75.2 |
| R1717 | 7030003560 | S.RES ERJ3GEYJ 103 V (10K) | T | 15.7/70.3 |
| R2011 | 7030003560 | S.RES ERJ3GEYJ 103 V (10K) | T | 59.8/79.9 |
| R2012 | 7030003670 | S.RES ERJ3GEYJ 823 V (82K) | T | 59. |

[MAIN UNIT]

| REF NO. | PARTS NO. | DESCRIPTION | M. | H/V LOCATION |
|---------|------------|-----------------------------|----|--------------|
| R2549 | 7030003440 | S.RES ERJ3GEYJ 102 V (1K) | T | 36.6/94.8 |
| R2550 | 7030003440 | S.RES ERJ3GEYJ 102 V (1K) | T | 36.6/96 |
| R2551 | 7030003860 | S.RES ERJ3GE JPW V | T | 36.6/97.2 |
| R2552 | 7030003330 | S.RES ERJ3GEYJ 121 V (120) | T | 55.2/91.1 |
| R2553 | 7030003470 | S.RES ERJ3GEYJ 182 V (1.8K) | T | 51.2/95.9 |
| R2554 | 7030003440 | S.RES ERJ3GEYJ 102 V (1K) | T | 39.8/96.9 |
| R2555 | 7030003560 | S.RES ERJ3GEYJ 103 V (10K) | T | 40.7/98.4 |
| R2556 | 7030003470 | S.RES ERJ3GEYJ 182 V (1.8K) | T | 51.2/97.1 |
| R2557 | 7030003860 | S.RES ERJ3GE JPW V | T | 40.2/87 |
| R2590 | 7030003240 | S.RES ERJ3GEYJ 220 V (22) | T | 93.2/96.6 |
| R2591 | 7030003240 | S.RES ERJ3GEYJ 220 V (22) | T | 93.2/95.4 |
| R2592 | 7030003400 | S.RES ERJ3GEYJ 471 V (470) | T | 93.2/93 |
| R2593 | 7030003400 | S.RES ERJ3GEYJ 471 V (470) | T | 95.8/95.4 |
| R2594 | 7030003340 | S.RES ERJ3GEYJ 151 V (150) | T | 54.3/88 |
| R2595 | 7030003400 | S.RES ERJ3GEYJ 471 V (470) | T | 54.6/97.4 |
| R2596 | 7030003330 | S.RES ERJ3GEYJ 121 V (120) | T | 54.3/86.8 |
| R2597 | 7030003340 | S.RES ERJ3GEYJ 151 V (150) | T | 68.4/91.4 |
| R2598 | 7030003400 | S.RES ERJ3GEYJ 471 V (470) | T | 68.7/96.3 |
| R2599 | 7030003330 | S.RES ERJ3GEYJ 121 V (120) | T | 67.8/89.6 |
| R2701 | 7030003440 | S.RES ERJ3GEYJ 102 V (1K) | T | 99.5/83.9 |
| R2702 | 7030003440 | S.RES ERJ3GEYJ 102 V (1K) | T | 98/82.6 |
| R2703 | 7030003440 | S.RES ERJ3GEYJ 102 V (1K) | T | 98/81.4 |
| R2711 | 7030003390 | S.RES ERJ3GEYJ 391 V (390) | T | 109.7/89.7 |
| R2715 | 7030003390 | S.RES ERJ3GEYJ 391 V (390) | T | 145/96.3 |
| R2801 | 7030003390 | S.RES ERJ3GEYJ 391 V (390) | T | 115.4/94 |
| R2802 | 7030003260 | S.RES ERJ3GEYJ 330 V (33) | T | 135.9/97.2 |
| R2803 | 7030003340 | S.RES ERJ3GEYJ 151 V (150) | T | 135.9/94.8 |
| R2804 | 7030003340 | S.RES ERJ3GEYJ 151 V (150) | T | 137/96 |
| R2805 | 7030003390 | S.RES ERJ3GEYJ 391 V (390) | T | 140/92.6 |
| R2806 | 7030003680 | S.RES ERJ3GEYJ 104 V (100K) | T | 141.8/93.9 |
| R2851 | 7030003390 | S.RES ERJ3GEYJ 391 V (390) | T | 115.5/88.9 |
| R2852 | 7030003240 | S.RES ERJ3GEYJ 220 V (22) | T | 135.9/90.4 |
| R2853 | 7030003400 | S.RES ERJ3GEYJ 471 V (470) | T | 134.4/89.2 |
| R2854 | 7030003400 | S.RES ERJ3GEYJ 471 V (470) | T | 137/89.2 |
| R2855 | 7030003390 | S.RES ERJ3GEYJ 391 V (390) | T | 140.3/85.8 |
| R2856 | 7030003680 | S.RES ERJ3GEYJ 104 V (100K) | T | 141.8/87 |
| R2857 | 7030003240 | S.RES ERJ3GEYJ 220 V (22) | T | 135.9/91.6 |
| R2901 | 7030003390 | S.RES ERJ3GEYJ 391 V (390) | T | 115.5/82.2 |
| R2902 | 7030003260 | S.RES ERJ3GEYJ 330 V (33) | T | 135.9/83.6 |
| R2903 | 7030003340 | S.RES ERJ3GEYJ 151 V (150) | T | 135.9/81.2 |
| R2904 | 7030003340 | S.RES ERJ3GEYJ 151 V (150) | T | 137/82.2 |
| R2905 | 7030003390 | S.RES ERJ3GEYJ 391 V (390) | T | 140/79 |
| R2906 | 7030003680 | S.RES ERJ3GEYJ 104 V (100K) | T | 141.7/80.2 |
| R2950 | 7030003260 | S.RES ERJ3GEYJ 330 V (33) | T | 135.2/77.5 |
| R2951 | 7030003390 | S.RES ERJ3GEYJ 391 V (390) | T | 115.5/75.4 |
| R2952 | 7030003260 | S.RES ERJ3GEYJ 330 V (33) | T | 136.7/77.5 |
| R2953 | 7030003320 | S.RES ERJ3GEYJ 101 V (100) | T | 135.9/74.4 |
| R2954 | 7030003320 | S.RES ERJ3GEYJ 101 V (100) | T | 137/75.6 |
| R2955 | 7030003390 | S.RES ERJ3GEYJ 391 V (390) | T | 140.2/72.2 |
| R2956 | 7030003680 | S.RES ERJ3GEYJ 104 V (100K) | T | 141.7/73.4 |
| R2957 | 7030003440 | S.RES ERJ3GEYJ 102 V (1K) | T | 17.4/37 |
| R2958 | 7030003440 | S.RES ERJ3GEYJ 102 V (1K) | T | 28.1/39.8 |
| R2959 | 7030003440 | S.RES ERJ3GEYJ 102 V (1K) | T | 20.3/37.2 |
| R2960 | 7030003320 | S.RES ERJ3GEYJ 101 V (100) | T | 20.3/38.4 |
| R2961 | 7030003320 | S.RES ERJ3GEYJ 101 V (100) | T | 20.3/39.6 |
| R2962 | 7030003440 | S.RES ERJ3GEYJ 102 V (1K) | T | 20.3/40.8 |
| R2963 | 7030003440 | S.RES ERJ3GEYJ 102 V (1K) | T | 20.3/42 |
| R2994 | 7030003320 | S.RES ERJ3GEYJ 101 V (100) | T | 152.4/6.3 |
| R2995 | 7030003320 | S.RES ERJ3GEYJ 101 V (100) | T | 152/5.1 |
| R2996 | 7030003320 | S.RES ERJ3GEYJ 101 V (100) | T | 151.7/3.9 |
| R2997 | 7030003320 | S.RES ERJ3GEYJ 101 V (100) | T | 151.3/2.7 |
| R3000 | 7030003680 | S.RES ERJ3GEYJ 104 V (100K) | T | 135.6/53.2 |
| R3001 | 7030003680 | S.RES ERJ3GEYJ 104 V (100K) | T | 137.7/45.2 |
| R3012 | 7030003360 | S.RES ERJ3GEYJ 221 V (220) | T | 177.1/2.8 |
| R3013 | 7030003360 | S.RES ERJ3GEYJ 221 V (220) | T | 175.9/13.7 |
| R3014 | 7030003360 | S.RES ERJ3GEYJ 221 V (220) | T | 185.8/4.6 |
| R3015 | 7030003360 | S.RES ERJ3GEYJ 221 V (220) | T | 182/12.4 |
| R3016 | 7030003360 | S.RES ERJ3GEYJ 221 V (220) | T | 186.5/10.8 |
| R3018 | 7030003860 | S.RES ERJ3GE JPW V | T | 2.7/75.5 |
| R3201 | 7030003600 | S.RES ERJ3GEYJ 223 V (22K) | T | 171.8/62.8 |
| R3202 | 7030003600 | S.RES ERJ3GEYJ 223 V (22K) | T | 171.8/61.6 |
| R3203 | 7030003400 | S.RES ERJ3GEYJ 471 V (470) | T | 173.4/57.8 |
| R3204 | 7030003680 | S.RES ERJ3GEYJ 104 V (100K) | T | 172.9/60.2 |
| R3205 | 7030003560 | S.RES ERJ3GEYJ 103 V (10K) | T | 170.7/57.8 |
| R3206 | 7030003680 | S.RES ERJ3GEYJ 104 V (100K) | T | 171.8/55.4 |
| R3207 | 7030003800 | S.RES ERJ3GEYJ 105 V (1M) | T | 178.8/54.2 |
| R3208 | 7030005691 | S.RES ERA3YED 123V (12K) | T | 182.4/55.2 |
| R3209 | 7030003240 | S.RES ERJ3GEYJ 220 V (22) | T | 183.9/41 |
| R3210 | 7030003240 | S.RES ERJ3GEYJ 220 V (22) | T | 183.9/42.2 |
| R3211 | 7030003640 | S.RES ERJ3GEYJ 473 V (47K) | T | 188.1/57.2 |
| R3212 | 7030003680 | S.RES ERJ3GEYJ 104 V (100K) | T | 181.5/63.7 |
| R3213 | 7030003680 | S.RES ERJ3GEYJ 104 V (100K) | T | 180.9/64.9 |
| R3214 | 7030003460 | S.RES ERJ3GEYJ 152 V (1.5K) | T | 183.9/43.5 |
| R3215 | 7030003800 | S.RES ERJ3GEYJ 105 V (1M) | T | 183.9/39.8 |
| R3216 | 7030003800 | S.RES ERJ3GEYJ 105 V (1M) | T | 176.6/34.4 |
| R3217 | 7030003520 | S.RES ERJ3GEYJ 472 V (4.7K) | T | 179.7/73.3 |
| R3218 | 7030003560 | S.RES ERJ3GEYJ 103 V (10K) | T | 177/73.3 |
| R3219 | 7030003590 | S.RES ERJ3GEYJ 183 V (18K) | T | 164.3/73 |
| R3220 | 7030003560 | S.RES ERJ3GEYJ 103 V (10K) | T | 166.9/73 |
| R3221 | 7030003640 | S.RES ERJ3GEYJ 473 V (47K) | T | 166/68.7 |
| R3222 | 7030003590 | S.RES ERJ3GEYJ 183 V (18K) | T | 166.9/70.9 |
| R3223 | 7030003680 | S.RES ERJ3GEYJ 104 V (100K) | T | 173.2/74 |
| R3224 | 7030003680 | S.RES ERJ3GEYJ 104 V (100K) | T | 172.3/67.2 |
| R3225 | 7030003860 | S.RES ERJ3GE JPW V | T | 189.5/38.8 |
| R3226 | 7030003860 | S.RES ERJ3GE JPW V | T | 185.2/46.3 |
| R3227 | 7030003400 | S.RES ERJ3GEYJ 471 V (470) | T | 83.5/37.5 |
| R3229 | 7030003440 | S.RES ERJ3GEYJ 102 V (1K) | T | 16.2/8.6 |
| R3230 | 7030003440 | S.RES ERJ3GEYJ 102 V (1K) | T | 15.1/10.1 |
| R3231 | 7030003440 | S.RES ERJ3GEYJ 102 V (1K) | T | 15.1/11.6 |
| R3232 | 7030003440 | S.RES ERJ3GEYJ 102 V (1K) | T | 15.1/13.2 |
| R3233 | 7030003440 | S.RES ERJ3GEYJ 102 V (1K) | T | 17.6/15.9 |
| R3234 | 7030003280 | S.RES ERJ3GEYJ 470 V (47) | T | 117.7/49.2 |
| R3235 | 7030003640 | S.RES ERJ3GEYJ 473 V (47K) | T | 163.4/68.7 |
| R3236 | 7030003860 | S.RES ERJ3GE JPW V | T | 166.7/65.7 |

[MAIN UNIT]

| REF NO. | PARTS NO. | DESCRIPTION | M. | H/V LOCATION |
|---------|------------|--------------------------|----|--------------|
| R3237 | 7030003860 | S.RES ERJ3GE JPW V | T | 162.6/62.5 |
| R3242 | 7030010570 | S.RES ERJ1TYJ 4R7U (4.7) | T | 8.6/95.8 |
| R3243 | 7030010570 | S.RES ERJ1TYJ 4R7U (4.7) | T | 16/95.8 |
| R3244 | 7030010570 | S.RES ERJ1TYJ 4R7U (4.7) | T | 12.3/95.8 |
| R3248 | 7030003860 | S.RES ERJ3GE JPW V | T | 167.7/59 |
| R3249 | 7030003860 | S.RES ERJ3GE JPW V | T | 177.6/75.2 |
| R3250 | 7030003860 | S.RES ERJ3GE JPW V | T | 175.4/75.1 |
| R3251 | 7030003860 | S.RES ERJ3GE JPW V | T | 174.7/67 |
| R3254 | 7030003860 | S.RES ERJ3GE JPW V | T | 161.6/69.5 |
| C1 | 4030006880 | S.CER C1608 JB 1H 472K-T | T | 173.6/24.2 |
| C2 | 4030006880 | S.CER C1608 JB 1H 472K-T | T | 179.2/27.2 |
| C6 | 4030007090 | S.CER C1608 CH 1H 470J-T | T | 19.2/30.3 |
| C9 | 4030007090 | S.CER C1608 CH 1H 470J-T | T | 16.9/19.5 |
| C10 | 4030007090 | S.CER C1608 CH 1H 470J-T | T | 19.2/29.1 |
| C11 | 4030007090 | S.CER C1608 CH 1H 470J-T | T | 19.2/31.5 |
| C12 | 4030007090 | S.CER C1608 CH 1H 470J-T | T | 19.7/33.9 |
| C14 | 4030007090 | S.CER C1608 CH 1H 470J-T | T | 17.1/34.6 |
| C16 | 4030006880 | S.CER C1608 JB 1H 472K-T | T | 17.4/31.3 |
| C17 | 4030011600 | S.CER C1608 JB 1E 104K-T | T | 193/33.7 |
| C18 | 4030006880 | S.CER C1608 JB 1H 102K-T | T | 120/17.6 |
| C19 | 4030006880 | S.CER C1608 JB 1H 102K-T | T | 113.5/19.4 |
| C21 | 4030006880 | S.CER C1608 JB 1H 472K-T | T | 7.3/33 |
| C22 | 4030006880 | S.CER C1608 JB 1H 102K-T | T | 61/44.5 |
| C23 | 4030006880 | S.CER C1608 JB 1H 102K-T | T | 125.5/19.3 |
| C24 | 4030006880 | S.CER C1608 JB 1H 472K-T | T | 4.7/38.9 |
| C25 | 4030006880 | S.CER C1608 JB 1H 102K-T | T | 20.9/4.9 |
| C26 | 4030006880 | S.CER C1608 JB 1H 472K-T | T | 7.3/37 |
| C27 | 4030006880 | S.CER C1608 JB 1H 472K-T | T | 7.3/34.2 |
| C28 | 4030006880 | S.CER C1608 JB 1H 472K-T | T | 18.2/25.5 |
| C29 | 4030006880 | S.CER C1608 JB 1H 472K-T | T | 4.7/37.7 |
| C30 | 4030006880 | S.CER C1608 JB 1H 472K-T | T | 18.2/26.7 |
| C31 | 4030011600 | S.CER C1608 JB 1E 104K-T | T | 166.2/30.5 |
| C32 | 4030011340 | S.CER C1608 CH 1H 471J-T | T | 3.3/21.4 |
| C33 | 4030006880 | S.CER C1608 JB 1H 472K-T | T | 5.9/16.1 |
| C34 | 4030006880 | S.CER C1608 JB 1H 472K-T | T | 7.3/42.1 |
| C35 | 4030006880 | S.CER C1608 JB 1H 472K-T | T | 8.6/44.5 |
| C36 | 4030006880 | S.CER C1608 JB 1H 472K-T | T | 17.7/6.7 |
| C37 | 4030011600 | S.CER C1608 JB 1E 104K-T | T | 5/26 |
| C38 | 4030006880 | S.CER C1608 JB 1H 472K-T | T | 18.8/7.9 |
| C39 | 4030006880 | S.CER C1608 JB 1H 102K-T | T | 7.3/35.6 |
| C40 | 4030011340 | S.CER C1608 CH 1H 471J-T | T | 5.9/19 |
| C41 | 4030006880 | S.CER C1608 JB 1H 472K-T | T | 7.3/40.7 |
| C42 | 4030006880 | S.CER C1608 JB 1H 472K-T | T | 9.7/45.7 |
| C43 | 4030011600 | S.CER C1608 JB 1E 104K-T | T | 4.7/22.8 |
| C44 | 4030011600 | S.CER C1608 JB 1E 104K-T | T | 138.6/24.3 |
| C45 | 4030007090 | S.CER C1608 CH 1H 470J-T | T | 138.6/23.1 |
| C46 | 4030009990 | S.CER C1608 CH 1H 200J-T | T | 141.2/24.3 |
| C47 | 4030011600 | S.CER C1608 JB 1E 104K-T | T | 101/75 |
| C48 | 4030011600 | S.CER C1608 JB 1E 104K-T | T | 4.8/27.6 |
| C49 | 4030011600 | S.CER C1608 JB 1E 104K-T | T | 4.5/29.7 |
| C50 | 4030007120 | S.CER C1608 CH 1H 820J-T | T | 144.3/20.9 |
| C51 | 4030007110 | S.CER C1608 CH 1H 680J-T | T | 146.9/21.6 |
| C52 | 4030007070 | S.CER C1608 CH 1H 330J-T | T | 146.9/23.1 |
| C53 | 4030006880 | S.CER C1608 JB 1H 102K-T | T | 180.7/77.9 |
| C56 | 4030011600 | S.CER C1608 JB 1E 104K-T | T | 4.5/31.3 |
| C57 | 4030011600 | S.CER C1608 JB 1E 104K-T | T | 169.4/75.2 |
| C59 | 4030007130 | S.CER C1608 CH 1H 101J-T | T | 170.6/74 |
| C60 | 4030007090 | S.CER C1608 CH 1H 470J-T | T | 17.5/20.7 |
| C61 | 4030011600 | S.CER C1608 JB 1E 104K-T | T | 6/43.3 |
| C62 | 4510009820 | S.ELLE EEEFK1C470P | T | 5.3/49.3 |
| C63 | 4030006880 | S.CER C1608 JB 1H 472K-T | T | 164.8/21.3 |
| C64 | 4030011600 | S.CER C1608 JB 1E 104K-T | T | 100.5/20.1 |
| C65 | 4030011600 | S.CER C1608 JB 1E 104K-T | T | 52/72.1 |
| C66 | 4030007130 | S.CER C1608 CH 1H 101J-T | T | 127.5/25 |
| C67 | 4030018620 | S.CER C1608 CH 1H 222J-T | T | 186.9/32.8 |
| C68 | 4030011600 | S.CER C1608 JB 1E 104K-T | T | 98.6/26.3 |
| C69 | 4030007130 | S.CER C1608 CH 1H 101J-T | T | 98.8/15.8 |
| C71 | 4030007090 | S.CER C1608 CH 1H 470J-T | T | 151.2/72.8 |
| C81 | 4030006880 | S.CER C1608 JB 1H 472K-T | T | 155.6/68 |
| C501 | 4030007100 | S.CER C1608 CH 1H 560J-T | T | 157.3/73.6 |
| C502 | 4030006880 | S.CER C1608 JB 1H 472K-T | T | 160.5/75.1 |
| C503 | 4030011600 | S.CER C1608 JB 1E 104K-T | T | 160.5/73.9 |
| C504 | 4030006900 | S.CER C1608 JB 1H 103K-T | T | 156.3/81.4 |
| C505 | 4030006900 | S.CER C1608 JB 1H 103K-T | T | 153.1/77.6 |

[MAIN UNIT]

| REF NO. | PARTS NO. | DESCRIPTION | M. | H/V LOCATION |
|---------|------------|--------------------------|----|--------------|
| C539 | 4030011600 | S.CER C1608 JB 1E 104K-T | T | 145.1/43.1 |
| C540 | 4030006860 | S.CER C1608 JB 1H 102K-T | T | 142.1/40.7 |
| C541 | 4030006880 | S.CER C1608 JB 1H 472K-T | T | 158.6/63.1 |
| C542 | 4030006980 | S.CER C1608 CH 1H 070D-T | T | 137.9/61.4 |
| C543 | 4030009520 | S.CER C1608 CH 1H 020B-T | T | 134.9/65.3 |
| C544 | 4030009520 | S.CER C1608 CH 1H 020B-T | T | 145.1/64.4 |
| C545 | 4030006880 | S.CER C1608 JB 1H 472K-T | T | 124.6/65.7 |
| C546 | 4030011600 | S.CER C1608 JB 1E 104K-T | T | 140.9/40.7 |
| C547 | 4030007100 | S.CER C1608 CH 1H 560J-T | T | 147.8/41.9 |
| C548 | 4030011600 | S.CER C1608 JB 1E 104K-T | T | 143.3/27.5 |
| C549 | 4030007100 | S.CER C1608 CH 1H 560J-T | T | 147.7/43.1 |
| C550 | 4030011600 | S.CER C1608 JB 1E 104K-T | T | 138.7/38.8 |
| C551 | 4030006880 | S.CER C1608 JB 1H 472K-T | T | 119.9/61.9 |
| C552 | 4030006880 | S.CER C1608 JB 1H 472K-T | T | 125.2/49.7 |
| C553 | 4030006880 | S.CER C1608 JB 1H 472K-T | T | 133.2/58.1 |
| C554 | 4030006860 | S.CER C1608 JB 1H 102K-T | T | 131.3/48.4 |
| C555 | 4030006880 | S.CER C1608 JB 1H 472K-T | T | 137.3/50.6 |
| C556 | 4030008360 | S.CER C1608 UJ 1H 101J-T | T | 135.1/44.7 |
| C557 | 4030006880 | S.CER C1608 JB 1H 472K-T | T | 131.1/47.2 |
| C558 | 4030006880 | S.CER C1608 JB 1H 472K-T | T | 124.8/38.2 |
| C559 | 4030008360 | S.CER C1608 UJ 1H 101J-T | T | 133/53.2 |
| C560 | 4030006880 | S.CER C1608 JB 1H 472K-T | T | 124.8/42.2 |
| C565 | 4030011600 | S.CER C1608 JB 1E 104K-T | T | 148.8/30.1 |
| C566 | 4030011600 | S.CER C1608 JB 1E 104K-T | T | 149.3/27.6 |
| C567 | 4030006880 | S.CER C1608 JB 1H 472K-T | T | 169.4/48.6 |
| C572 | 4030011600 | S.CER C1608 JB 1E 104K-T | T | 120.3/43 |
| C574 | 4030006880 | S.CER C1608 JB 1H 472K-T | T | 118/57.1 |
| C575 | 4030011600 | S.CER C1608 JB 1E 104K-T | T | 94.4/45.1 |
| C576 | 4030011600 | S.CER C1608 JB 1E 104K-T | T | 128.2/35.6 |
| C577 | 4030011600 | S.CER C1608 JB 1E 104K-T | T | 84.2/38.7 |
| C578 | 4030011600 | S.CER C1608 JB 1E 104K-T | T | 111.8/32.3 |
| C581 | 4030007090 | S.CER C1608 CH 1H 470J-T | T | 118.8/28.8 |
| C583 | 4030011600 | S.CER C1608 JB 1E 104K-T | T | 124.7/37 |
| C584 | 4510009820 | S.ELE EEEFK1C470P | T | 128.5/29.9 |
| C585 | 4030011600 | S.CER C1608 JB 1E 104K-T | T | 122.3/28.8 |
| C586 | 4030006880 | S.CER C1608 JB 1H 472K-T | T | 118.5/23 |
| C587 | 4030006880 | S.CER C1608 JB 1H 472K-T | T | 112.6/27.8 |
| C588 | 4030011600 | S.CER C1608 JB 1E 104K-T | T | 115.2/27.8 |
| C589 | 4030011600 | S.CER C1608 JB 1E 104K-T | T | 113.5/34.7 |
| C590 | 4030011600 | S.CER C1608 JB 1E 104K-T | T | 57.7/44.5 |
| C591 | 4030011600 | S.CER C1608 JB 1E 104K-T | T | 108.2/38.5 |
| C594 | 4030011600 | S.CER C1608 JB 1E 104K-T | T | 72.3/41.7 |
| C595 | 4030019490 | S.CER C2012 JB 1A 106K-T | T | 75.5/41.1 |
| C596 | 4030006880 | S.CER C1608 JB 1H 472K-T | T | 81.6/47.9 |
| C597 | 4030017490 | S.CER C1608 JB 1A 105K-T | T | 76.4/45.3 |
| C598 | 4030011600 | S.CER C1608 JB 1E 104K-T | T | 79/45.3 |
| C599 | 4030006880 | S.CER C1608 JB 1H 472K-T | T | 74.9/43.3 |
| C600 | 4030006880 | S.CER C1608 JB 1H 472K-T | T | 72.3/43.3 |
| C601 | 4030011600 | S.CER C1608 JB 1E 104K-T | T | 107.6/30.2 |
| C602 | 4030011600 | S.CER C1608 JB 1E 104K-T | T | 96.7/35.7 |
| C603 | 4030007060 | S.CER C1608 CH 1H 270J-T | T | 166.9/57.5 |
| C604 | 4030007040 | S.CER C1608 CH 1H 180J-T | T | 166.9/56.3 |
| C605 | 4030007090 | S.CER C1608 CH 1H 470J-T | T | 168.8/52.5 |
| C607 | 4030007050 | S.CER C1608 CH 1H 220J-T | T | 166.1/48.6 |
| C618 | 4030011600 | S.CER C1608 JB 1E 104K-T | T | 93.3/32.2 |
| C619 | 4030011600 | S.CER C1608 JB 1E 104K-T | T | 90.1/34.5 |
| C620 | 4030011600 | S.CER C1608 JB 1E 104K-T | T | 89.9/27.4 |
| C621 | 4030011600 | S.CER C1608 JB 1E 104K-T | T | 84.7/35.5 |
| C622 | 4030011600 | S.CER C1608 JB 1E 104K-T | T | 84.8/32.1 |
| C623 | 4030019460 | S.CER C1608 JB 0J 106M-T | T | 87.3/28.5 |
| C651 | 4030006880 | S.CER C1608 JB 1H 472K-T | T | 160.4/53.1 |
| C652 | 4030011600 | S.CER C1608 JB 1E 104K-T | T | 88.3/44.4 |
| C653 | 4030006860 | S.CER C1608 JB 1H 102K-T | T | 88.3/48 |
| C654 | 4030007140 | S.CER C1608 CH 1H 121J-T | T | 88.3/50 |
| C655 | 4030011600 | S.CER C1608 JB 1E 104K-T | T | 90/55 |
| C656 | 4030011600 | S.CER C1608 JB 1E 104K-T | T | 98.4/51.3 |
| C657 | 4030019090 | S.CER C2012 JB 1C 225M-T | T | 90.3/57.7 |
| C658 | 4030011600 | S.CER C1608 JB 1E 104K-T | T | 97/45.1 |
| C659 | 4030007140 | S.CER C1608 CH 1H 121J-T | T | 98.4/46.3 |
| C660 | 4030011600 | S.CER C1608 JB 1E 104K-T | T | 95.5/41.5 |
| C661 | 4030006860 | S.CER C1608 JB 1H 102K-T | T | 101.2/40.7 |
| C662 | 4030011600 | S.CER C1608 JB 1E 104K-T | T | 97.9/39.1 |
| C663 | 4030011600 | S.CER C1608 JB 1E 104K-T | T | 92.4/46.8 |
| C664 | 4030011600 | S.CER C1608 JB 1E 104K-T | T | 83.3/41 |
| C665 | 4030011600 | S.CER C1608 JB 1E 104K-T | T | 127.6/23.1 |
| C666 | 4030011600 | S.CER C1608 JB 1E 104K-T | T | 100.5/21.9 |
| C667 | 4030011600 | S.CER C1608 JB 1E 104K-T | T | 70.1/27.3 |
| C669 | 4030006900 | S.CER C1608 JB 1H 103K-T | T | 73.3/32.4 |
| C670 | 4030009880 | S.CER C1608 JB 1H 682K-T | T | 73.3/31.2 |
| C671 | 4030006900 | S.CER C1608 JB 1H 103K-T | T | 72.6/33.6 |
| C672 | 4030006860 | S.CER C1608 JB 1H 102K-T | T | 91.5/53.5 |
| C673 | 4030019460 | S.CER C1608 JB 0J 106M-T | T | 66.9/34.5 |
| C674 | 4030017490 | S.CER C1608 JB 1A 105K-T | T | 66.9/35.7 |
| C675 | 4030019460 | S.CER C1608 JB 0J 106M-T | T | 68.3/40 |
| C676 | 4030017490 | S.CER C1608 JB 1A 105K-T | T | 68.3/38.8 |
| C677 | 4030019460 | S.CER C1608 JB 0J 106M-T | T | 69.7/32.6 |
| C678 | 4030017490 | S.CER C1608 JB 1A 105K-T | T | 72/38.3 |
| C679 | 4030011600 | S.CER C1608 JB 1E 104K-T | T | 82.6/33.3 |
| C680 | 4030017490 | S.CER C1608 JB 1A 105K-T | T | 76/31.2 |
| C681 | 4030006900 | S.CER C1608 JB 1H 103K-T | T | 77/26 |
| C682 | 4030006880 | S.CER C1608 JB 1H 472K-T | T | 175/22 |
| C683 | 4030006880 | S.CER C1608 JB 1H 472K-T | T | 129.8/24.4 |
| C684 | 4030006860 | S.CER C1608 JB 1H 102K-T | T | 80.1/26.8 |
| C1021 | 4030019490 | S.CER C2012 JB 1A 106K-T | T | 61.4/47.3 |
| C1022 | 4030011600 | S.CER C1608 JB 1E 104K-T | T | 59.2/49.4 |
| C1023 | 4030017490 | S.CER C1608 JB 1A 105K-T | T | 63.6/46.9 |
| C1024 | 4030017490 | S.CER C1608 JB 1A 105K-T | T | 60.6/38.4 |
| C1025 | 4030019460 | S.CER C1608 JB 0J 106M-T | T | 54.5/51.1 |
| C1031 | 4030019460 | S.CER C1608 JB 0J 106M-T | T | 4.1/83.2 |
| C1032 | 4030019460 | S.CER C1608 JB 0J 106M-T | T | 8.5/74.6 |
| C1033 | 4030017490 | S.CER C1608 JB 1A 105K-T | T | 50.4/43 |
| C1034 | 4030011340 | S.CER C1608 CH 1H 471J-T | T | 51.6/40.6 |
| C1035 | 4030011600 | S.CER C1608 JB 1E 104K-T | T | 56.3/41.2 |
| C1036 | 4030019460 | S.CER C1608 JB 0J 106M-T | T | 165.8/97.3 |

[MAIN UNIT]

| REF NO. | PARTS NO. | DESCRIPTION | M. | H/V LOCATION |
|---------|------------|---------------------------|----|--------------|
| C1037 | 4030011600 | S.CER C1608 JB 1E 104K-T | T | 104.6/18.7 |
| C1038 | 4030019090 | S.CER C2012 JB 1C 225M-T | T | 107.9/15.9 |
| C1039 | 4030017490 | S.CER C1608 JB 1A 105K-T | T | 108.3/14.4 |
| C1040 | 4030019490 | S.CER C2012 JB 1A 106K-T | T | 103.9/20.5 |
| C1041 | 4030019460 | S.CER C1608 JB 0J 106M-T | T | 2.7/77 |
| C1043 | 4030019460 | S.CER C1608 JB 0J 106M-T | T | 53.5/43 |
| C1051 | 4030018620 | S.CER C1608 CH 1H 222J-T | T | 15.1/77.4 |
| C1053 | 4030011600 | S.CER C1608 JB 1E 104K-T | T | 21.2/80.6 |
| C1054 | 4030011600 | S.CER C1608 JB 1E 104K-T | T | 15.1/81 |
| C1055 | 4030007130 | S.CER C1608 CH 1H 101J-T | T | 45.2/74.6 |
| C1071 | 4030019460 | S.CER C1608 JB 0J 106M-T | T | 159.6/90.3 |
| C1072 | 4030019460 | S.CER C1608 JB 0J 106M-T | T | 9.4/82 |
| C1081 | 4030019460 | S.CER C1608 JB 0J 106M-T | T | 164.2/91.9 |
| C1082 | 4030011600 | S.CER C1608 JB 1E 104K-T | T | 165.8/96.1 |
| C1083 | 4030006860 | S.CER C1608 JB 1H 102K-T | T | 157/93.9 |
| C1085 | 4030011600 | S.CER C1608 JB 1E 104K-T | T | 2.7/78.2 |
| C1086 | 4030011600 | S.CER C1608 JB 1E 104K-T | T | 8.5/77 |
| C1087 | 4030019460 | S.CER C1608 JB 0J 106M-T | T | 2.7/73.8 |
| C1088 | 4030019460 | S.CER C1608 JB 0J 106M-T | T | 157/92.7 |
| C1089 | 4030008920 | S.CER C1608 JB 1H 473K-T | T | 166.9/100.1 |
| C1091 | 4030008920 | S.CER C1608 JB 1H 473K-T | T | 168.4/98.8 |
| C1092 | 4030017490 | S.CER C1608 JB 1A 105K-T | T | 171/100.1 |
| C1093 | 4030006900 | S.CER C1608 JB 1H 103K-T | T | 171/98.8 |
| C1094 | 4030011600 | S.CER C1608 JB 1E 104K-T | T | 176.4/95.9 |
| C1095 | 4510009250 | S.ELE EEEFK1C471P | T | 172/90.8 |
| C1096 | 4510009250 | S.ELE EEEFK1C471P | T | 189.6/91.8 |
| C1097 | 4030011600 | S.CER C1608 JB 1E 104K-T | T | 183.2/85.1 |
| C1098 | 4510009250 | S.ELE EEEFK1C471P | T | 180.8/90.8 |
| C1511 | 4030006880 | S.CER C1608 JB 1H 472K-T | T | 63.7/38 |
| C1512 | 4030006880 | S.CER C1608 JB 1H 472K-T | T | 63.8/35 |
| C1520 | 4030018970 | S.CER C3225 JB 1C 226MT-N | T | 25.9/74.1 |
| C1521 | 4030018970 | S.CER C3225 JB 1C 226MT-N | T | 25.9/77.1 |
| C1522 | 4030011600 | S.CER C1608 JB 1E 104K-T | T | 26.7/79.2 |
| C1523 | 4030011600 | S.CER C1608 JB 1E 104K-T | T | 30.1/72.2 |
| C1524 | 4030018970 | S.CER C3225 JB 1C 226MT-N | T | 30.4/77.1 |
| C1531 | 4030006880 | S.CER C1608 JB 1H 472K-T | T | 49.1/41.7 |
| C1532 | 4030007130 | S.CER C1608 CH 1H 101J-T | T | 43.3/42.7 |
| C1533 | 4030007130 | S.CER C1608 CH 1H 101J-T | T | 47.4/42.9 |
| C1534 | 4030007130 | S.CER C1608 CH 1H 101J-T | T | 47.1/34.3 |
| C1553 | 4030011600 | S.CER C1608 JB 1E 104K-T | T | 65.6/12.6 |
| C1554 | 4030011600 | S.CER C1608 JB 1E 104K-T | T | 66.2/20.8 |
| C1555 | 4030011600 | S.CER C1608 JB 1E 104K-T | T | 66.2/26.3 |
| C1556 | 4030011600 | S.CER C1608 JB 1E 104K-T | T | 48.5/34 |
| C1557 | 4030011600 | S.CER C1608 JB 1E 104K-T | T | 34.2/26.7 |
| C1558 | 4030011600 | S.CER C1608 JB 1E 104K-T | T | 34.9/18.5 |
| C1559 | 4030011600 | S.CER C1608 JB 1E 104K-T | T | 35.8/11.5 |
| C1560 | 4030011600 | S.CER C1608 JB 1E 104K-T | T | 50.3/3.6 |
| C1561 | 4030011600 | S.CER C1608 JB 1E 104K-T | T | 67/13.1 |
| C1562 | 4030011600 | S.CER C1608 JB 1E 104K-T | T | 65.4/7.3 |
| C1563 | 4030011600 | S.CER C1608 JB 1E 104K-T | T | 54.3/3.8 |
| C1564 | 4030011600 | S.CER C1608 JB 1E 104K-T | T | 48.8/3.6 |
| C1565 | 4030011600 | S.CER C1608 JB 1E 104K-T | T | 40.4/3.2 |
| C1566 | 4030011600 | S.CER C1608 JB 1E 104K-T | T | 34.9/15.9 |
| C1567 | 4030011600 | S.CER C1608 JB 1E 104K-T | T | 35.9/24.3 |
| C1568 | 4030011600 | S.CER C1608 JB 1E 104K-T | T | 35.9/30.4 |
| C1569 | 4030011600 | S.CER C1608 JB 1E 104K-T | T | 44.7/34 |
| C1570 | 4030011600 | S.CER C1608 JB 1E 104K-T | T | 52.1/34 |
| C1571 | 4030011600 | S.CER C1608 JB 1E 104K-T | T | 54.5/34 |
| C1572 | 4030011600 | S.CER C1608 JB 1E 104K-T | T | 58.8/33.3 |
| C1573 | 4030011600 | S.CER C1608 JB 1E 104K-T | T | 65/27.6 |
| C1574 | 4030011600 | S.CER C1608 JB 1E 104K-T | T | 65/19.1 |
| C1575 | 4030011600 | S.CER C1608 JB 1E 104K-T | T | 50.9/34 |
| C1576 | 4030011600 | S.CER C1608 JB 1E 104K-T | T | 61.4/33.3 |
| C1592 | 4030017490 | S.CER C1608 JB 1A 105K-T | T | 78.3/9.9 |
| C1593 | 4030017490 | S.CER C1608 JB 1A 105K-T | T | 78.9/24.3 |
| C1594 | 4030019460 | S.CER C1608 JB 0J 106M-T | T | 76/8.6 |
| C1595 | 4510009820 | S.ELE EEEFK1C470P | T | 78/4.4 |
| C1601 | 4030011600 | S.CER C1608 JB 1E 104K-T | T | 45.9/49.4 |
| C1602 | 4030019490 | S.CER C2012 JB 1A 106K-T | T | 48.8/49.3 |
| C1603 | 4030017490 | S.CER C1608 JB 1A 105K-T | T | 37.2/49.4 |
| C1604 | 4030017490 | S.CER C1608 JB 1A 105K-T | | |

[MAIN UNIT]

| REF NO. | PARTS NO. | DESCRIPTION | M. | H/V LOCATION |
|---------|------------|--------------------------|----|--------------|
| C1706 | 4030007170 | S.CER C1608 CH 1H 221J-T | T | 8.6/67.2 |
| C1707 | 4030007170 | S.CER C1608 CH 1H 221J-T | T | 12.7/68.4 |
| C1708 | 4030007170 | S.CER C1608 CH 1H 221J-T | T | 15.6/67.2 |
| C1709 | 4030017490 | S.CER C1608 JB 1A 105K-T | T | 9.7/73.4 |
| C1710 | 4030017490 | S.CER C1608 JB 1A 105K-T | T | 17.2/71.6 |
| C1711 | 4030011600 | S.CER C1608 JB 1E 104K-T | T | 8.6/68.4 |
| C1712 | 4030019490 | S.CER C2012 JB 1A 106K-T | T | 12.7/73.6 |
| C2011 | 4030007070 | S.CER C1608 CH 1H 330J-T | T | 59.8/78.2 |
| C2012 | 4030006880 | S.CER C1608 JB 1H 472K-T | T | 70.3/82.1 |
| C2013 | 4030006860 | S.CER C1608 JB 1H 102K-T | T | 68.8/78.3 |
| C2014 | 4030006880 | S.CER C1608 JB 1H 472K-T | T | 74.9/77.7 |
| C2015 | 4030006880 | S.CER C1608 JB 1H 472K-T | T | 64.2/76.9 |
| C2016 | 4030006880 | S.CER C1608 JB 1H 472K-T | T | 64.3/83.8 |
| C2017 | 4030006860 | S.CER C1608 JB 1H 102K-T | T | 63.3/82.5 |
| C2021 | 4030006880 | S.CER C1608 JB 1H 472K-T | T | 62.9/61.2 |
| C2022 | 4030007100 | S.CER C1608 CH 1H 560J-T | T | 60.3/61.2 |
| C2023 | 4030007060 | S.CER C1608 CH 1H 270J-T | T | 61.4/60 |
| C2024 | 4030007140 | S.CER C1608 CH 1H 121J-T | T | 58.8/60 |
| C2025 | 4030007100 | S.CER C1608 CH 1H 560J-T | T | 63/56.2 |
| C2026 | 4030007110 | S.CER C1608 CH 1H 680J-T | T | 60.4/56.2 |
| C2040 | 4030007060 | S.CER C1608 CH 1H 270J-T | T | 71.9/71.6 |
| C2041 | 4030006880 | S.CER C1608 JB 1H 472K-T | T | 75.9/70.4 |
| C2042 | 4030011600 | S.CER C1608 JB 1E 104K-T | T | 72.7/67.8 |
| C2043 | 4030006880 | S.CER C1608 JB 1H 472K-T | T | 72/66.6 |
| C2044 | 4030011600 | S.CER C1608 JB 1E 104K-T | T | 72.6/53.8 |
| C2045 | 4030019490 | S.CER C2012 JB 1A 106K-T | T | 70.5/53.2 |
| C2046 | 4030006880 | S.CER C1608 JB 1H 472K-T | T | 72.6/55 |
| C2047 | 4030011600 | S.CER C1608 JB 1E 104K-T | T | 75.2/55 |
| C2048 | 4030019490 | S.CER C2012 JB 1A 106K-T | T | 75.5/53.4 |
| C2049 | 4030011600 | S.CER C1608 JB 1E 104K-T | T | 71.6/60.6 |
| C2050 | 4030009880 | S.CER C1608 JB 1H 682K-T | T | 71.6/59.4 |
| C2051 | 4030009910 | S.CER C1608 CH 1H 040B-T | T | 70.1/58.2 |
| C2052 | 4030009880 | S.CER C1608 JB 1H 682K-T | T | 69/57 |
| C2053 | 4030007090 | S.CER C1608 CH 1H 470J-T | T | 58.9/41.8 |
| C2054 | 4030018620 | S.CER C1608 CH 1H 222J-T | T | 69/55.8 |
| C2055 | 4030006880 | S.CER C1608 JB 1H 472K-T | T | 65.7/53.6 |
| C2061 | 4030006990 | S.CER C1608 CH 1H 080D-T | T | 63/69.3 |
| C2070 | 4030006980 | S.CER C1608 CH 1H 070D-T | T | 86.1/77.5 |
| C2071 | 4030007070 | S.CER C1608 CH 1H 330J-T | T | 79/81.3 |
| C2072 | 4030010760 | S.CER C1608 CH 1H 331J-T | T | 80.5/80.1 |
| C2073 | 4030007070 | S.CER C1608 CH 1H 330J-T | T | 81.6/81.3 |
| C2074 | 4030010760 | S.CER C1608 CH 1H 331J-T | T | 83.3/80.1 |
| C2075 | 4030007090 | S.CER C1608 CH 1H 470J-T | T | 84.2/81.3 |
| C2076 | 4030007110 | S.CER C1608 CH 1H 680J-T | T | 86.1/76.3 |
| C2077 | 4030007040 | S.CER C1608 CH 1H 180J-T | T | 87.6/81.3 |
| C2078 | 4030007150 | S.CER C1608 CH 1H 151J-T | T | 87.6/75.1 |
| C2079 | 4030011770 | S.CER C1608 CH 1H 060B-T | T | 85.7/72.8 |
| C2080 | 4030007150 | S.CER C1608 CH 1H 151J-T | T | 83.1/73.4 |
| C2081 | 4030011770 | S.CER C1608 CH 1H 060B-T | T | 87.2/68.1 |
| C2082 | 4030007120 | S.CER C1608 CH 1H 820J-T | T | 83.9/71.7 |
| C2083 | 4030011770 | S.CER C1608 CH 1H 060B-T | T | 85.7/74 |
| C2091 | 4030006860 | S.CER C1608 JB 1H 102K-T | T | 83.1/66.9 |
| C2092 | 4030006860 | S.CER C1608 JB 1H 102K-T | T | 80.1/68.1 |
| C2093 | 4030006860 | S.CER C1608 JB 1H 102K-T | T | 80.1/64.3 |
| C2101 | 4030007080 | S.CER C1608 CH 1H 390J-T | T | 92/61.5 |
| C2102 | 4030009530 | S.CER C1608 CH 1H 030B-T | T | 94.6/62.1 |
| C2103 | 4030007110 | S.CER C1608 CH 1H 680J-T | T | 93.4/60.3 |
| C2104 | 4030006980 | S.CER C1608 CH 1H 070D-T | T | 96.1/60.9 |
| C2105 | 4030007030 | S.CER C1608 CH 1H 150J-T | T | 96.1/59.7 |
| C2131 | 4030011770 | S.CER C1608 CH 1H 060B-T | T | 50.2/64.1 |
| C2132 | 4030007150 | S.CER C1608 CH 1H 151J-T | T | 52.0/65.4 |
| C2133 | 4030009910 | S.CER C1608 CH 1H 040B-T | T | 47.6/64.1 |
| C2134 | 4030007120 | S.CER C1608 CH 1H 820J-T | T | 47.6/65.4 |
| C2135 | 4030009920 | S.CER C1608 CH 1H 050B-T | T | 45/64.1 |
| C2136 | 4030007080 | S.CER C1608 CH 1H 390J-T | T | 45/65.4 |
| C2137 | 4030006980 | S.CER C1608 CH 1H 070D-T | T | 43.5/66.6 |
| C2138 | 4030007050 | S.CER C1608 CH 1H 220J-T | T | 43.5/68 |
| C2139 | 4030009530 | S.CER C1608 CH 1H 030B-T | T | 38.6/66.2 |
| C2140 | 4030007070 | S.CER C1608 CH 1H 330J-T | T | 41.1/70 |
| C2141 | 4030009510 | S.CER C1608 CH 1H 010B-T | T | 38.5/70 |
| C2142 | 4030007080 | S.CER C1608 CH 1H 390J-T | T | 40/71.2 |
| C2143 | 4030009500 | S.CER C1608 CH 1H 0R5B-T | T | 40/72.4 |
| C2144 | 4030007040 | S.CER C1608 CH 1H 180J-T | T | 42.6/71.2 |
| C2145 | 4030011770 | S.CER C1608 CH 1H 060B-T | T | 42.6/72.4 |
| C2151 | 4030006860 | S.CER C1608 JB 1H 102K-T | T | 41.5/75 |
| C2152 | 4030006860 | S.CER C1608 JB 1H 102K-T | T | 43.3/77.2 |
| C2153 | 4030011600 | S.CER C1608 JB 1E 104K-T | T | 42.7/81.5 |
| C2154 | 4030006990 | S.CER C1608 CH 1H 080D-T | T | 43.5/83 |
| C2501 | 4030011600 | S.CER C1608 JB 1E 104K-T | T | 52.4/85.2 |
| C2502 | 4030011600 | S.CER C1608 JB 1E 104K-T | T | 51.3/80.2 |
| C2503 | 4030006880 | S.CER C1608 JB 1H 472K-T | T | 57/78.2 |
| C2504 | 4030011600 | S.CER C1608 JB 1E 104K-T | T | 57/76.9 |
| C2548 | 4030011600 | S.CER C1608 JB 1E 104K-T | T | 42.4/86.1 |
| C2549 | 4030011600 | S.CER C1608 JB 1E 104K-T | T | 43.8/86.1 |
| C2550 | 4030007050 | S.CER C1608 CH 1H 220J-T | T | 45.9/85.7 |
| C2551 | 4030011600 | S.CER C1608 JB 1E 104K-T | T | 46.4/86.9 |
| C2553 | 4030011600 | S.CER C1608 JB 1E 104K-T | T | 36.6/92.4 |
| C2554 | 4030019490 | S.CER C2012 JB 1A 106K-T | T | 51/90.7 |
| C2555 | 4030011600 | S.CER C1608 JB 1E 104K-T | T | 50.8/89.2 |
| C2556 | 4030019460 | S.CER C1608 JB 0J 106M-T | T | 49.3/88 |
| C2557 | 4030011600 | S.CER C1608 JB 1E 104K-T | T | 51.2/94.7 |
| C2558 | 4030006880 | S.CER C1608 JB 1H 472K-T | T | 46.9/99.2 |
| C2559 | 4030019490 | S.CER C2012 JB 1A 106K-T | T | 36.3/90.8 |
| C2560 | 4030007070 | S.CER C1608 CH 1H 330J-T | T | 43/84.2 |
| C2563 | 4030007060 | S.CER C1608 CH 1H 270J-T | T | 65.3/90.3 |
| C2564 | 4030007120 | S.CER C1608 CH 1H 820J-T | T | 65.3/95.6 |
| C2565 | 4030007060 | S.CER C1608 CH 1H 270J-T | T | 67.5/96.3 |
| C2566 | 4030007030 | S.CER C1608 CH 1H 150J-T | T | 65.3/96.8 |
| C2575 | 4030007100 | S.CER C1608 CH 1H 560J-T | T | 80.2/95 |
| C2576 | 4030007070 | S.CER C1608 CH 1H 330J-T | T | 80.2/90.1 |
| C2577 | 4030007150 | S.CER C1608 CH 1H 151J-T | T | 81.7/96.2 |
| C2578 | 4030007100 | S.CER C1608 CH 1H 560J-T | T | 82.4/98.6 |
| C2579 | 4030007040 | S.CER C1608 CH 1H 180J-T | T | 85.1/95 |
| C2580 | 4030007080 | S.CER C1608 CH 1H 390J-T | T | 85.1/93.8 |

[MAIN UNIT]

| REF NO. | PARTS NO. | DESCRIPTION | M. | H/V LOCATION |
|---------|------------|--------------------------|----|--------------|
| C2581 | 4030007050 | S.CER C1608 CH 1H 220J-T | T | 87.8/93.6 |
| C2582 | 4030007140 | S.CER C1608 CH 1H 121J-T | T | 81.7/97.4 |
| C2594 | 4030007080 | S.CER C1608 CH 1H 390J-T | T | 54.3/89.2 |
| C2595 | 4030011600 | S.CER C1608 JB 1E 104K-T | T | 54.6/96.2 |
| C2596 | 4030006880 | S.CER C1608 JB 1H 472K-T | T | 57.4/97.4 |
| C2597 | 4030006880 | S.CER C1608 JB 1H 472K-T | T | 68.6/98.2 |
| C2598 | 4030007090 | S.CER C1608 CH 1H 470J-T | T | 67.2/91.4 |
| C2599 | 4030007130 | S.CER C1608 CH 1H 101J-T | T | 67.9/94.4 |
| C2601 | 4030006860 | S.CER C1608 JB 1H 102K-T | T | 94.3/94.2 |
| C2602 | 4030006860 | S.CER C1608 JB 1H 102K-T | T | 97.2/90.4 |
| C2603 | 4030011600 | S.CER C1608 JB 1E 104K-T | T | 97.2/91.6 |
| C2604 | 4030006860 | S.CER C1608 JB 1H 102K-T | T | 100.6/95.8 |
| C2605 | 4030009990 | S.CER C1608 CH 1H 200J-T | T | 102.3/92 |
| C2606 | 4030009530 | S.CER C1608 CH 1H 030B-T | T | 104.9/92 |
| C2607 | 4030007070 | S.CER C1608 CH 1H 330J-T | T | 104.9/89.6 |
| C2608 | 4030009500 | S.CER C1608 CH 1H 0R5B-T | T | 104.9/90.8 |
| C2615 | 4030011600 | S.CER C1608 JB 1E 104K-T | T | 4.4/24.2 |
| C2623 | 4030006880 | S.CER C1608 JB 1H 472K-T | T | 166.6/1.6 |
| C2702 | 4030006880 | S.CER C1608 JB 1H 472K-T | T | 105.4/84.1 |
| C2703 | 4030006860 | S.CER C1608 JB 1H 102K-T | T | 142.6/92.6 |
| C2704 | 4510009820 | S.ELE EEEFK1C470P | T | 153/85.6 |
| C2705 | 4030006860 | S.CER C1608 JB 1H 102K-T | T | 150.5/90.2 |
| C2706 | 4030006860 | S.CER C1608 JB 1H 102K-T | T | 144.4/87 |
| C2707 | 4030006860 | S.CER C1608 JB 1H 102K-T | T | 142.6/79 |
| C2708 | 4030006860 | S.CER C1608 JB 1H 102K-T | T | 144.3/73.4 |
| C2711 | 4030006880 | S.CER C1608 JB 1H 472K-T | T | 149.4/81.3 |
| C2712 | 4030006980 | S.CER C1608 CH 1H 070D-T | T | 153.1/78.9 |
| C2713 | 4030007050 | S.CER C1608 CH 1H 220J-T | T | 149.4/78.9 |
| C2714 | 4030007050 | S.CER C1608 CH 1H 220J-T | T | 149.4/80.1 |
| C2715 | 4030007130 | S.CER C1608 CH 1H 101J-T | T | 98.8/17 |
| C2800 | 4030009530 | S.CER C1608 CH 1H 030B-T | T | 121/98.4 |
| C2801 | 4030010000 | S.CER C1608 CH 1H 510J-T | T | 117.7/99.6 |
| C2802 | 4030007060 | S.CER C1608 CH 1H 270J-T | T | 120.3/99.6 |
| C2803 | 4030007070 | S.CER C1608 CH 1H 330J-T | T | 122.9/99.6 |
| C2804 | 4030006880 | S.CER C1608 JB 1H 472K-T | T | 125.5/99.6 |
| C2805 | 4030018580 | S.CER C1608 CH 1H 821J-T | T | 118.4/98.4 |
| C2806 | 4030011340 | S.CER C1608 CH 1H 471J-T | T | 121.6/97.1 |
| C2807 | 4030007090 | S.CER C1608 CH 1H 470J-T | T | 126.4/94.6 |
| C2808 | 4030006980 | S.CER C1608 CH 1H 070D-T | T | 127/98.4 |
| C2809 | 4030006880 | S.CER C1608 JB 1H 472K-T | T | 138.5/97.2 |
| C2810 | 4030007130 | S.CER C1608 CH 1H 101J-T | T | 129.2/94.8 |
| C2811 | 4030009920 | S.CER C1608 CH 1H 050B-T | T | 128.5/99.6 |
| C2812 | 4030007120 | S.CER C1608 CH 1H 820J-T | T | 131.8/94.8 |
| C2813 | 4030009500 | S.CER C1608 CH 1H 0R5B-T | T | 133.3/97.2 |
| C2814 | 4030007060 | S.CER C1608 CH 1H 270J-T | T | 131.8/96 |
| C2815 | 4030007110 | S.CER C1608 CH 1H 680J-T | T | 134.4/96 |
| C2816 | 4030006880 | S.CER C1608 JB 1H 472K-T | T | 141.8/95.1 |
| C2817 | 4030009530 | S.CER C1608 CH 1H 030B-T | T | 123.6/98.4 |
| C2850 | 4030009530 | S.CER C1608 CH 1H 030B-T | T | 122.3/91.6 |
| C2851 | 4030009500 | S.CER C1608 CH 1H 0R5B-T | T | 133.3/90.4 |
| C2852 | 4030007090 | S.CER C1608 CH 1H 470J-T | T | 118.4/92.8 |
| C2853 | 4030007060 | S.CER C1608 CH 1H 270J-T | T | 121/92.8 |
| C2854 | 4030007060 | S.CER C1608 CH 1H 270J-T | T | 123.6/93 |
| C2855 | 4030006880 | S.CER C1608 JB 1H 472K-T | T | 126.2/93 |
| C2856 | 4030017800 | S.CER C1608 CH 1H 561J-T | T | 118.8/91.6 |
| C2857 | 4030010760 | S.CER C1608 CH 1H 331J-T | T | 121.7/90.4 |
| C2858 | 4030010000 | S.CER C1608 CH 1H 510J-T | T | 125.6/87.8 |
| C2859 | 4030006980 | S.CER C1608 CH 1H 070D-T | T | 127.7/91.6 |
| C2860 | 4030018020 | S.CER C1608 CH 1H 910J-T | T | 129.2/87.8 |
| C2861 | 4030006880 | S.CER C1608 JB 1H 472K-T | T | 138.5/90.4 |
| C2862 | 4030009530 | S.CER C1608 CH 1H 030B-T | T | 131/89 |
| C2863 | 4030018020 | S.CER C1608 CH 1H 910J-T | T | 131.8/87.8 |
| C2865 | 4030006880 | S.CER C1608 JB 1H 472K-T | T | 141.8/88.2 |
| C2866 | 4030007030 | S.CER C1608 CH 1H 150J-T | T | 137/88 |
| C2867 | 4030007150 | S.CER C1608 CH 1H 151J-T | T | 123.6/87.8 |
| C2900 | 4030011770 | S.CER C1608 CH 1H 060B-T | T | 122.3/84.8 |
| C2901 | 4030007070 | S.CER C1608 CH 1H 330J-T | T | 118.4/86 |
| C2902 | 4030010760 | S.CER C1608 CH 1H 331J-T | T | 119.1/84.8 |
| C2903 | 4030009990 | S.CER C1608 CH 1H 200J-T | T | 121/86 |
| C2904 | 40300 | | | |

Icom Inc.

1-1-32, Kamiminami, Hirano-ku, Osaka 547-0003, Japan
Phone : +81 (06) 6793 5302
Fax : +81 (06) 6793 0013
URL : <http://www.icom.co.jp/world/index.html>

Icom America Inc.

<Corporate Headquarters>
2380 116th Avenue N.E., Bellevue, WA 98004, U.S.A.
Phone : +1 (425) 454-8155 Fax : +1 (425) 454-1509
URL : <http://www.icomamerica.com>
E-mail : sales@icomamerica.com
<Customer Service>
Phone : +1 (425) 454-7619

Icom Canada

Glenwood Centre #150-6165
Highway 17 Delta, B.C., V4K 5B8, Canada
Phone : +1 (604) 952-4266 Fax : +1 (604) 952-0090
URL : <http://www.icomcanada.com>
E-mail : info@icomcanada.com

Icom (Australia) Pty. Ltd.

Unit 1 / 103 Garden Road, Clayton VIC 3168 Australia
Phone : +61 (03) 9549-7500 Fax : +61 (03) 9549-7505
URL : <http://www.icom.net.au>
E-mail : sales@icom.net.au

Icom New Zealand

146A Harris Road, East Tamaki,
Auckland, New Zealand
Phone : +64 (09) 274 4062 Fax : +64 (09) 274 4708
URL : <http://www.icom.co.nz>
E-mail : inquiries@icom.co.nz

Beijing Icom Ltd.

10C07, Long silver Mansion, No.88, Yong Ding
Road, Haidian District, Beijing, 100039, China
Phone : +86 (010) 5889 5391/5392/5393
Fax : +86 (010) 5889 5395
E-mail : bjicom@bjicom.com
URL : <http://www.bjicom.com>

Icom (Europe) GmbH

Communication Equipment
Auf der Krautweide 24
65812 Bad Soden am Taunus, Germany
Phone : +49 (6196) 76685-0 Fax : +49 (6196) 76685-50
URL : <http://www.icomeurope.com>
E-mail : info@icomeurope.com

Icom Spain S.L

Ctra. Rubi, No. 88 Bajos A 08174, Sant Cugat del Valles, Barcelona, Spain
Phone : +34 (93) 590 26 70 Fax : +34 (93) 589 04 46
URL : <http://www.icomspain.com>
E-mail : icom@icomspain.com

Icom (UK) Ltd.

Blacksole House, The Boulevard, Altira Business Park, Herne Bay, CT6 6GZ, UK
Phone : +44 (01227) 741741 Fax : +44 (01227) 741742
URL : <http://www.icomuk.co.uk>
E-mail : info@icomuk.co.uk

Icom France s.a.s.

Zac de la Plaine
1 Rue Brindejonn des Moulinais BP 5804
31505 Toulouse Cedex, France
Phone : +33 (5) 61 36 03 03 Fax : +33 (5) 61 36 03 00
URL : <http://www.icom-france.com>
E-mail : icom@icom-france.com

Asia Icom Inc.

6F No.68, Sec. 1 Cheng-Teh Road, Taipei, Taiwan, R.O.C.
Phone : +886 (02) 2559 1899 Fax : +886 (02) 2559 1874
URL : <http://www.asia-icom.com>
E-mail : sales@asia-icom.com

Icom Polska

81-850 Sopot, ul. 3 Maja 54, Poland
Phone : +48 (58) 550 7135 Fax : +48 (58) 551 0484
E-mail : icompolska@icompolska.com.pl

[RF UNIT]

| REF NO. | PARTS NO. | DESCRIPTION | M. | H/V LOCATION |
|---------|------------|-----------------------------|----|--------------|
| IC141 | 1130011760 | S.IC CD4094BPWR | T | 13.7/15.8 |
| IC142 | 1130011760 | S.IC CD4094BPWR | T | 14.1/29.6 |
| IC181 | 1110006870 | S.IC UPC2709TB-E3 | T | 57.8/60.4 |
| IC462 | 1110004050 | S.IC NJM3404AV-TE1-#FMZB | T | 4.8/37.8 |
| IC463 | 1110004050 | S.IC NJM3404AV-TE1-#FMZB | T | 14.6/47.8 |
| IC464 | 1110004050 | S.IC NJM3404AV-TE1-#FMZB | T | 6/14.4 |
| Q12 | 1590000680 | S.TRA DTC114EUA T106 | T | 55.4/16.5 |
| Q141 | 1590001960 | S.TRA XP4311(TX) | T | 19.7/54.9 |
| Q142 | 1590001960 | S.TRA XP4311(TX) | T | 19.9/48.7 |
| Q143 | 1590001960 | S.TRA XP4311(TX) | T | 19.8/42.3 |
| Q144 | 1590001960 | S.TRA XP4311(TX) | T | 18.3/36 |
| Q145 | 1590001960 | S.TRA XP4311(TX) | T | 20/30.4 |
| Q146 | 1590001960 | S.TRA XP4311(TX) | T | 19.6/24.7 |
| Q147 | 1590001960 | S.TRA XP4311(TX) | T | 19/19.5 |
| Q148 | 1590001960 | S.TRA XP4311(TX) | T | 19.1/13.4 |
| Q155 | 1590001960 | S.TRA XP4311(TX) | T | 60.6/28.6 |
| Q156 | 1590001960 | S.TRA XP4311(TX) | T | 19.8/60 |
| Q157 | 1590001960 | S.TRA XP4311(TX) | T | 21.3/64.2 |
| Q161 | 1530003091 | S.TRA 2SC4213-B(TE85R,F) | T | 57.2/43.6 |
| Q380 | 1530003851 | S.TRA 2SC551F-TD-E 0 | T | 41.6/70.9 |
| Q441 | 1530003851 | S.TRA 2SC551F-TD-E 0 | T | 7.5/64.2 |
| Q442 | 1590001960 | S.TRA XP4311(TX) | T | 6.7/55.2 |
| Q443 | 1590001960 | S.TRA XP4311(TX) | T | 9.3/55 |
| Q461 | 1510000510 | S.TRA 2SA1576A T106R | T | 4.6/26 |
| Q462 | 1590001050 | S.TRA DTC114TUA T106 | T | 10.6/47.5 |
| Q463 | 1590000680 | S.TRA DTC114EUA T106 | T | 10.3/40.9 |
| Q464 | 1590000720 | S.TRA DTA144EUA T106 | T | 8.8/45.9 |
| Q480 | 1530003091 | S.TRA 2SC4213-B(TE85R,F) | T | 2.3/23.2 |
| Q501 | 1540000550 | S.TRA 2SD1664 T100Q | T | 55.3/84.8 |
| Q503 | 1590001960 | S.TRA XP4311(TX) | T | 63.4/44.7 |
| D1 | 1790000970 | S.DIO MA729(TX) | T | 68.6/8.4 |
| D2 | 1790000970 | S.DIO MA729(TX) | T | 70.5/8.4 |
| D3 | 1790001250 | S.DIO MA2S111-(TX) 0 | T | 50.4/16.9 |
| D141 | 1790001250 | S.DIO MA2S111-(TX) 0 | T | 13.7/21.2 |
| D142 | 1790001250 | S.DIO MA2S111-(TX) 0 | T | 12.5/21.2 |
| D143 | 1790001250 | S.DIO MA2S111-(TX) 0 | T | 14.3/10.7 |
| D144 | 1790001250 | S.DIO MA2S111-(TX) 0 | T | 13.1/10.7 |
| D145 | 1790001250 | S.DIO MA2S111-(TX) 0 | T | 15.2/24.4 |
| D146 | 1790001250 | S.DIO MA2S111-(TX) 0 | T | 14/24.4 |
| D164 | 1790001621 | S.DIO 1SV308(TPL3,F) | T | 52.2/31.7 |
| D165 | 1790001621 | S.DIO 1SV308(TPL3,F) | T | 57.4/35.6 |
| D167 | 1790001621 | S.DIO 1SV308(TPL3,F) | T | 55/48.8 |
| D168 | 1790001621 | S.DIO 1SV308(TPL3,F) | T | 55.3/43.9 |
| D181 | 1790001250 | S.DIO MA2S111-(TX) 0 | T | 56.6/56.6 |
| D182 | 1790001250 | S.DIO MA2S111-(TX) 0 | T | 56.6/55.4 |
| D201 | 1790001621 | S.DIO 1SV308(TPL3,F) | T | 53.3/44.4 |
| D221 | 1790001621 | S.DIO 1SV308(TPL3,F) | T | 22.8/13.1 |
| D222 | 1790001621 | S.DIO 1SV308(TPL3,F) | T | 37.8/15 |
| D241 | 1790001621 | S.DIO 1SV308(TPL3,F) | T | 22.8/22.1 |
| D242 | 1790001621 | S.DIO 1SV308(TPL3,F) | T | 39.1/21.8 |
| D261 | 1790001621 | S.DIO 1SV308(TPL3,F) | T | 34.2/27.9 |
| D262 | 1790001621 | S.DIO 1SV308(TPL3,F) | T | 22.9/27.1 |
| D281 | 1790001621 | S.DIO 1SV308(TPL3,F) | T | 41/34 |
| D282 | 1790001621 | S.DIO 1SV308(TPL3,F) | T | 23/33.7 |
| D301 | 1790001621 | S.DIO 1SV308(TPL3,F) | T | 41/40.1 |
| D302 | 1790001621 | S.DIO 1SV308(TPL3,F) | T | 23/39.8 |
| D321 | 1790001621 | S.DIO 1SV308(TPL3,F) | T | 40.9/46.2 |
| D322 | 1790001621 | S.DIO 1SV308(TPL3,F) | T | 23/45.9 |
| D341 | 1790001621 | S.DIO 1SV308(TPL3,F) | T | 40.9/52.3 |
| D342 | 1790001621 | S.DIO 1SV308(TPL3,F) | T | 23/52 |
| D361 | 1790001621 | S.DIO 1SV308(TPL3,F) | T | 44.3/57.1 |
| D362 | 1790001621 | S.DIO 1SV308(TPL3,F) | T | 23/58.1 |
| D381 | 1790001621 | S.DIO 1SV308(TPL3,F) | T | 27.6/70.4 |
| D382 | 1790001621 | S.DIO 1SV308(TPL3,F) | T | 49.3/65.3 |
| D401 | 1790001621 | S.DIO 1SV308(TPL3,F) | T | 49.3/64.1 |
| D402 | 1790001621 | S.DIO 1SV308(TPL3,F) | T | 26.3/61 |
| D441 | 1790001621 | S.DIO 1SV308(TPL3,F) | T | 14.1/63.7 |
| D442 | 1790001621 | S.DIO 1SV308(TPL3,F) | T | 17.3/72.6 |
| D443 | 1790001621 | S.DIO 1SV308(TPL3,F) | T | 14.1/64.9 |
| D444 | 1790001621 | S.DIO 1SV308(TPL3,F) | T | 14.8/72.6 |
| D461 | 1790001250 | S.DIO MA2S111-(TX) 0 | T | 8.6/43.2 |
| D462 | 1790001250 | S.DIO MA2S111-(TX) 0 | T | 8.5/30.4 |
| D463 | 1790001250 | S.DIO MA2S111-(TX) 0 | T | 10.4/44.2 |
| D464 | 1790001250 | S.DIO MA2S111-(TX) 0 | T | 7.5/51 |
| D465 | 1790001240 | S.DIO MA2S728-(TX) 0 | T | 9.7/37.2 |
| D471 | 1790001240 | S.DIO MA2S728-(TX) 0 | T | 13.4/40.6 |
| D491 | 1790001240 | S.DIO MA2S728-(TX) 0 | T | 16.4/42.1 |
| D494 | 1790001250 | S.DIO MA2S111-(TX) 0 | T | 7.3/22.8 |
| D495 | 1790001250 | S.DIO MA2S111-(TX) 0 | T | 7.3/24 |
| D501 | 1790001250 | S.DIO MA2S111-(TX) 0 | T | 66.8/43.4 |
| D502 | 1790001330 | S.ZEN MA8036-(LTX) 0 | T | 10.2/25.7 |
| D503 | 1790001250 | S.DIO MA2S111-(TX) 0 | T | 8.3/26.4 |
| D504 | 1790001250 | S.DIO MA2S111-(TX) 0 | T | 8.3/25.2 |
| D505 | 1790001621 | S.DIO 1SV308(TPL3,F) | T | 55.8/41.5 |
| L1 | 6140004721 | COI LR-532A | T | |
| L2 | 6200002041 | S.COI NLV25T-101J | T | 66.4/12.9 |
| L3 | 6200002041 | S.COI NLV25T-101J | T | 72.7/12.9 |
| L4 | 6200002041 | S.COI NLV25T-101J | T | 50.7/18.8 |
| L161 | 6200011410 | S.COI C2520C-82NG-A | T | 48.1/23.2 |
| L163 | 6200002041 | S.COI NLV25T-101J | T | 51.6/26.7 |
| L167 | 6200002041 | S.COI NLV25T-101J | T | 58.2/46.8 |
| L168 | 6200002041 | S.COI NLV25T-101J | T | 57.4/49.6 |
| L169 | 6200010660 | S.COI C2520C-R15G-A (0.15U) | T | 44.8/18.3 |
| L170 | 6200002041 | S.COI NLV25T-101J | T | 55.7/27.8 |
| L181 | 6200005011 | S.COI NLV25T-100J | T | 60.4/59.3 |
| L183 | 6200005011 | S.COI NLV25T-100J | T | 44.8/78.6 |
| L201 | 6200005491 | S.COI NLV32T-331J | T | 52.6/48.6 |
| L202 | 6200002961 | S.COI NLV32T-4R7J | T | 49.1/47.9 |

[RF UNIT]

| REF NO. | PARTS NO. | DESCRIPTION | M. | H/V LOCATION |
|---------|------------|-----------------------------|----|--------------|
| L203 | 6200003321 | S.COI NLV32T-3R3J | T | 45.7/49.8 |
| L204 | 6200003261 | S.COI NLV32T-101J | T | 51.1/42.2 |
| L205 | 6200003261 | S.COI NLV32T-101J | T | 45.9/42.2 |
| L221 | 6200001851 | S.COI NLV32T-5R6J | T | 29.5/13.6 |
| L222 | 6200003111 | S.COI NLV32T-6R8J | T | 25.9/14.6 |
| L241 | 6200002041 | S.COI NLV25T-101J | T | 39.4/19.9 |
| L242 | 6200003091 | S.COI NLV32T-2R7J | T | 35/20.8 |
| L243 | 6200003101 | S.COI NLV32T-3R9J | T | 31.6/21.4 |
| L244 | 6200002961 | S.COI NLV32T-4R7J | T | 28.2/19.5 |
| L245 | 6200001851 | S.COI NLV32T-5R6J | T | 24.5/19.9 |
| L261 | 6200002041 | S.COI NLV25T-101J | T | 34.2/26 |
| L262 | 6200002991 | S.COI NLV32T-2R2J | T | 31.1/26.3 |
| L263 | 6200002991 | S.COI NLV32T-2R2J | T | 26.2/27.1 |
| L281 | 6200002041 | S.COI NLV25T-101J | T | 40.3/31.8 |
| L282 | 6200003051 | S.COI NLV32T-R82J | T | 37.2/32.9 |
| L283 | 6200003061 | S.COI NLV32T-1R2J | T | 32.4/32.3 |
| L284 | 6200003081 | S.COI NLV32T-1R8J | T | 29/30.4 |
| L285 | 6200003071 | S.COI NLV32T-1R5J | T | 25.6/32.3 |
| L291 | 6200011410 | S.COI C2520C-82NG-A | T | 21.1/36.7 |
| L301 | 6200002041 | S.COI NLV25T-101J | T | 40.3/37.9 |
| L302 | 6200003061 | S.COI NLV32T-1R2J | T | 37.2/39 |
| L303 | 6200003331 | S.COI NLV32T-1R0J | T | 32.4/38.4 |
| L304 | 6200003051 | S.COI NLV32T-R82J | T | 29/36.5 |
| L305 | 6200003061 | S.COI NLV32T-1R2J | T | 25.6/38.4 |
| L321 | 6200002041 | S.COI NLV25T-101J | T | 40.3/44 |
| L322 | 6200003031 | S.COI NLV32T-R47J | T | 37.2/45.1 |
| L323 | 6200002981 | S.COI NLV32T-R56J | T | 32.4/44.5 |
| L324 | 6200003041 | S.COI NLV32T-R68J | T | 29/42.6 |
| L325 | 6200003051 | S.COI NLV32T-R82J | T | 25.6/44.5 |
| L341 | 6200002041 | S.COI NLV25T-101J | T | 40.3/50.1 |
| L342 | 6200003251 | S.COI NLV32T-R39J | T | 37.2/51.2 |
| L343 | 6200003251 | S.COI NLV32T-R39J | T | 32.4/50.6 |
| L344 | 6200003031 | S.COI NLV32T-R47J | T | 29/48.7 |
| L345 | 6200002981 | S.COI NLV32T-R56J | T | 25.6/50.6 |
| L361 | 6200002041 | S.COI NLV25T-101J | T | 40.6/56.4 |
| L362 | 6200010740 | S.COI C2520C-R27G-A | T | 37.3/57.3 |
| L363 | 6200010740 | S.COI C2520C-R27G-A | T | 32.4/56.7 |
| L364 | 6200010870 | S.COI C2520C-R33G-A (0.33U) | T | 29/54.8 |
| L365 | 6200011450 | S.COI C2520C-R39G-A | T | 25.6/56.7 |
| L381 | 6200003001 | S.COI NLV32T-R22J | T | 45.6/68.3 |
| L382 | 6200003251 | S.COI NLV32T-R39J | T | 49.9/67.5 |
| L383 | 6200005011 | S.COI NLV25T-100J | T | 30.7/72.9 |
| L384 | 6200002041 | S.COI NLV25T-101J | T | 40.1/66.5 |
| L385 | 6140004601 | S.COI LR-518A | T | 35.5/71 |
| L386 | 6200002041 | S.COI NLV25T-101J | T | 27.8/68.5 |
| L401 | 6200003011 | S.COI NLV32T-R27J | T | 43.8/62 |
| L402 | 6200003421 | S.COI NLV32T-R15J | T | 47.2/61 |
| L403 | 6180002961 | S.COI NLV32T-R18J | T | 40.4/61.6 |
| L404 | 6200003421 | S.COI NLV32T-R15J | T | 37/63.6 |
| L405 | 6200001471 | S.COI NLV32T-R12J | T | 32/65.1 |
| L406 | 6200001471 | S.COI NLV32T-R12J | T | 27.1/63.8 |
| L421 | 6200005491 | S.COI NLV32T-331J | T | 24.3/8.5 |
| L441 | 6200002041 | S.COI NLV25T-101J | T | 18.3/63.4 |
| L442 | 6200002041 | S.COI NLV25T-101J | T | 11.5/64.4 |
| L443 | 6200002041 | S.COI NLV25T-101J | T | 14.1/66.8 |
| L444 | 6140004591 | S.COI LR-517A | T | 6.6/71.7 |
| L445 | 6200002041 | S.COI NLV25T-101J | T | 11.2/70.4 |
| L446 | 6200002041 | S.COI NLV25T-101J | T | 11.2/74 |
| L447 | 6200002041 | S.COI NLV25T-101J | T | 14.5/61.1 |
| L448 | 6200002041 | S.COI NLV25T-101J | T | 20.1/74.8 |
| L449 | 6200010650 | S.COI C2520C-R12G-A (0.12U) | T | 8.3/76.8 |
| L450 | 6200010660 | S.COI C2520C-R15G-A (0.15U) | T | 19.1/69.9 |
| L501 | 6200005011 | S.COI NLV25T-100J | T | 63.2/40.3 |
| L502 | 6200005011 | S.COI NLV25T-100J | T | 65.6/75.4 |
| L505 | 6200005011 | S.COI NLV25T-100J | T | 65.5/71 |
| L506 | 6200005011 | S.COI NLV25T-100J | T | 61.2/68.3 |
| L507 | 6200002041 | S.COI NLV25T-101J | T | 78/91.8 |
| L508 | 6200005011 | S.COI NLV25T-100J | T | 73.1/91.7 |
| L509 | 6200005011 | S.COI NLV25T-100J | T | 69.5/92.2 |
| L510 | 6200002041 | S.COI NLV25T-101J | T | 66.2/89.7 |
| L511 | 6200002041 | S.COI NLV25T-101J | T | 65.8/81.9 |
| L512 | 6200002041 | S.COI NLV25T-101J | T | 56.3/38.3 |
| R1 | 7540000250 | ABS SA05C 401N | T | |
| R2 | 7030003590 | S.RES ERJ3GEYJ 183 V (18K) | T | 79.6/14.9 |
| R3 | 7030008190 | S.RES ERJ12YJ330U (33) | T | 69.5/5 |
| R4 | 7030003560 | S.RES ERJ3GEYJ 103 V (10K) | T | 66.1/8.6 |
| R5 | 7030003560 | S.RES ERJ3GEYJ 103 V (10K) | T | 72.9/8.6 |
| R6 | 7030003860 | S.RES ERJ3GE JPW V | T | 66.1/11 |
| R7 | 7030003860 | S.RES ERJ3GE JPW V | T | 72.9/11 |
| R8 | 7030003640 | S.RES ERJ3GEYJ 473 V (47K) | T | 68.6/11.8 |
| R9 | 7030003640 | S.RES ERJ3GEYJ 473 V (47K) | T | 70.5/11.8 |
| R10 | 7030003580 | S.RES ERJ3GEYJ 153 V (15K) | T | 79.6/17.5 |
| R161 | 7030003560 | S.RES ERJ3GEYJ 103 V (10K) | T | 57.3/40.2 |
| R163 | 7030003400 | S.RES ERJ3GEYJ 471 V (470) | T | 50.6/29.1 |
| R164 | 7030003290 | S.RES ERJ3GEYJ 560 V (56) | T | 56/35.7 |
| R165 | 7030003400 | S.RES ERJ3GEYJ 471 V (470) | T | 57.4/33 |
| R166 | 7030003440 | S.RES ERJ3GEYJ 102 V (1K) | T | 55.7/47 |
| R167 | 7030003400 | S.RES ERJ3GEYJ 471 V (470) | T | 56.1/33 |
| R168 | 7030003400 | S.RES ERJ3GEYJ 471 V (470) | T | 54.8/33 |
| R169 | 7030003680 | S.RES ERJ3GEYJ 104 V (100K) | T | 58.9/26.5 |
| R181 | 7030003370 | S.RES ERJ3GEYJ 271 V (270) | T | 54.1/66 |
| R182 | 7030003230 | S.RES ERJ3GEYJ 180 V (18) | T | 56.7/66 |
| R183 | 7030003370 | S.RES ERJ3GEYJ | | |

[RF UNIT]

| REF NO. | PARTS NO. | DESCRIPTION | M. | H/V LOCATION |
|---------|------------|--|----|--------------|
| R224 | 7030003320 | S.RES ERJ3GEYJ 101 V (100) | T | 36.9/13.6 |
| R225 | 7030003320 | S.RES ERJ3GEYJ 101 V (100) | T | 36.9/12.4 |
| R241 | 7030003320 | S.RES ERJ3GEYJ 101 V (100) | T | 38/18 |
| R242 | 7030003320 | S.RES ERJ3GEYJ 101 V (100) | T | 23.1/17.3 |
| R261 | 7030003320 | S.RES ERJ3GEYJ 101 V (100) | T | 37.3/24.1 |
| R262 | 7030003320 | S.RES ERJ3GEYJ 101 V (100) | T | 37.3/25.3 |
| R281 | 7030003320 | S.RES ERJ3GEYJ 101 V (100) | T | 39.5/29.5 |
| R282 | 7030003320 | S.RES ERJ3GEYJ 101 V (100) | T | 23.4/30.1 |
| R301 | 7030003320 | S.RES ERJ3GEYJ 101 V (100) | T | 39.6/35.6 |
| R302 | 7030003320 | S.RES ERJ3GEYJ 101 V (100) | T | 23.4/37.6 |
| R321 | 7030003320 | S.RES ERJ3GEYJ 101 V (100) | T | 39.5/41.7 |
| R322 | 7030003320 | S.RES ERJ3GEYJ 101 V (100) | T | 23.4/43.7 |
| R341 | 7030003320 | S.RES ERJ3GEYJ 101 V (100) | T | 39.6/47.8 |
| R342 | 7030003320 | S.RES ERJ3GEYJ 101 V (100) | T | 23.4/49.5 |
| R361 | 7030003320 | S.RES ERJ3GEYJ 101 V (100) | T | 41.8/53.9 |
| R362 | 7030003320 | S.RES ERJ3GEYJ 101 V (100) | T | 23.3/55.7 |
| R381 | 7030003320 | S.RES ERJ3GEYJ 101 V (100) | T | 31.5/75.3 |
| R382 | 7030003320 | S.RES ERJ3GEYJ 101 V (100) | T | 49.6/73.8 |
| R383 | 7030003280 | S.RES ERJ3GEYJ 470 V (47) | T | 36/67.4 |
| R384 | 7030003440 | S.RES ERJ3GEYJ 102 V (1K) | T | 44.8/71.9 |
| R385 | 7030003490 | S.RES ERJ3GEYJ 272 V (2.7K) | T | 47.2/71.9 |
| R401 | 7030003320 | S.RES ERJ3GEYJ 101 V (100) | T | 40.1/59.4 |
| R402 | 7030003320 | S.RES ERJ3GEYJ 101 V (100) | T | 48.1/58.9 |
| R421 | 7030003640 | S.RES ERJ3GEYJ 473 V (47K) | T | 39.8/13.6 |
| R422 | 7030003640 | S.RES ERJ3GEYJ 473 V (47K) | T | 35.1/17.1 |
| R423 | 7030003640 | S.RES ERJ3GEYJ 473 V (47K) | T | 40/24.1 |
| R424 | 7030003640 | S.RES ERJ3GEYJ 473 V (47K) | T | 37/30.3 |
| R425 | 7030003640 | S.RES ERJ3GEYJ 473 V (47K) | T | 37/36.4 |
| R426 | 7030003640 | S.RES ERJ3GEYJ 473 V (47K) | T | 37.2/42.4 |
| R427 | 7030003640 | S.RES ERJ3GEYJ 473 V (47K) | T | 37/48.6 |
| R428 | 7030003640 | S.RES ERJ3GEYJ 473 V (47K) | T | 37.7/53.8 |
| R429 | 7030003640 | S.RES ERJ3GEYJ 473 V (47K) | T | 34.2/75.3 |
| R430 | 7030003640 | S.RES ERJ3GEYJ 473 V (47K) | T | 48.1/57.7 |
| R431 | 7030003400 | S.RES ERJ3GEYJ 471 V (470) | T | 22.9/11.1 |
| R441 | 7030003400 | S.RES ERJ3GEYJ 471 V (470) | T | 16/64.2 |
| R442 | 7030003370 | S.RES ERJ3GEYJ 271 V (270) | T | 14.8/56.4 |
| R443 | 7030003440 | S.RES ERJ3GEYJ 102 V (1K) | T | 17.4/73.9 |
| R444 | 7030003560 | S.RES ERJ3GEYJ 103 V (10K) | T | 12.7/57.2 |
| R445 | 7030003280 | S.RES ERJ3GEYJ 470 V (47) | T | 16.3/66.8 |
| R446 | 7030003320 | S.RES ERJ3GEYJ 101 V (100) | T | 7.2/67.4 |
| R447 | 7030003440 | S.RES ERJ3GEYJ 102 V (1K) | T | 6.9/60.5 |
| R448 | 7030003320 | S.RES ERJ3GEYJ 101 V (100) | T | 4.5/66.6 |
| R449 | 7030003480 | S.RES ERJ3GEYJ 222 V (2.2K) | T | 9.3/60.5 |
| R450 | 7030003370 | S.RES ERJ3GEYJ 271 V (270) | T | 11.4/60.5 |
| R460 | 7030003740 | S.RES ERJ3GEYJ 334 V (330K) | T | 7.9/39.1 |
| R462 | 7030003720 | S.RES ERJ3GEYJ 224 V (220K) | T | 2.6/42.9 |
| R463 | 7030003680 | S.RES ERJ3GEYJ 104 V (100K) | T | 7.8/37.9 |
| R464 | 7030003840 | S.RES ERJ3GEYJ 225 V (2.2M) | T | 5.2/42.2 |
| R465 | 7030003380 | S.RES ERJ3GEYJ 331 V (330) | T | 7.8/42 |
| R466 | 7030003680 | S.RES ERJ3GEYJ 104 V (100K) | T | 3.9/31.7 |
| R467 | 7030003840 | S.RES ERJ3GEYJ 225 V (2.2M) | T | 4.4/33.3 |
| R468 | 7030003720 | S.RES ERJ3GEYJ 224 V (220K) | T | 1.8/33.2 |
| R469 | 7030003590 | S.RES ERJ3GEYJ 183 V (18K) | T | 1.8/35.8 |
| R470 | 7030003400 | S.RES ERJ3GEYJ 471 V (470) | T | 7.4/32.5 |
| R472 | 7030003600 | S.RES ERJ3GEYJ 223 V (22K) | T | 6.5/31.3 |
| R475 | 7030003860 | S.RES ERJ3GE JPW V | T | 16.3/43.4 |
| R476 | 7030003580 | S.RES ERJ3GEYJ 153 V (15K) | T | 13.7/43.1 |
| R477 | 7030003400 | S.RES ERJ3GEYJ 471 V (470) | T | 11.1/42.9 |
| R478 | 7030003440 | S.RES ERJ3GEYJ 102 V (1K) | T | 5.9/28.1 |
| R479 | 7030003680 | S.RES ERJ3GEYJ 104 V (100K) | T | 6.5/25.8 |
| R480 | 7030003860 | S.RES ERJ3GE JPW V | T | 6.3/29.6 |
| R482 | 7030003560 | S.RES ERJ3GEYJ 103 V (10K) | T | 1.8/41 |
| R483 | 7030003320 | S.RES ERJ3GEYJ 101 V (100) | T | 7.3/33.7 |
| R484 | 7030003820 | S.RES ERJ3GEYJ 155 V (1.5M) | T | 11.5/45.4 |
| R485 | 7030003840 | S.RES ERJ3GEYJ 225 V (2.2M) | T | 14.8/52.4 |
| R486 | 7030003770 | S.RES ERJ3GEYJ 564 V (560K) | T | 16.7/53.1 |
| R487 | 7030003760 | S.RES ERJ3GEYJ 474 V (470K) | T | 17.6/50 |
| R488 | 7030003500 | S.RES ERJ3GEYJ 332 V (3.3K) | T | 12/52.4 |
| R489 | 7030003520 | S.RES ERJ3GEYJ 472 V (4.7K) | T | 4.7/57.7 |
| R490 | 7030003640 | S.RES ERJ3GEYJ 473 V (47K) | T | 16.1/40.1 |
| R492 | 7030003740 | S.RES ERJ3GEYJ 334 V (330K) | T | 6.1/52.4 |
| R494 | 7030003440 | S.RES ERJ3GEYJ 102 V (1K) | T | 2.4/21.2 |
| R495 | 7030003560 | S.RES ERJ3GEYJ 103 V (10K) | T | 5.5/22.9 |
| R496 | 7030003600 | S.RES ERJ3GEYJ 223 V (22K) | T | 1.8/38.4 |
| R501 | 7030003320 | S.RES ERJ3GEYJ 101 V (100) | T | 3.5/18.7 |
| R502 | 7030003680 | S.RES ERJ3GEYJ 104 V (100K) | T | 6.5/19.6 |
| R503 | 7030003700 | S.RES ERJ3GEYJ 154 V (150K) | T | 9.4/17.4 |
| R504 | 7030003700 | S.RES ERJ3GEYJ 154 V (150K) | T | 8.7/19.3 |
| R505 | 7030003680 | S.RES ERJ3GEYJ 104 V (100K) | T | 3.3/11.7 |
| R506 | 7030003680 | S.RES ERJ3GEYJ 104 V (100K) | T | 3.3/14.3 |
| R507 | 7030003400 | S.RES ERJ3GEYJ 471 V (470) | T | 2.1/11.7 |
| R508 | 7030003680 | S.RES ERJ3GEYJ 104 V (100K) | T | 7.1/9.8 |
| R513 | 7030003560 | S.RES ERJ3GEYJ 103 V (10K) | T | 62.1/84.1 |
| R514 | 7030003860 | S.RES ERJ3GE JPW V | T | 71.9/33 |
| R515 | 7030003860 | S.RES ERJ3GE JPW V | T | 73.5/44.8 |
| R516 | 7030003860 | S.RES ERJ3GE JPW V | T | 73.5/49.5 |
| R517 | 7030003360 | S.RES ERJ3GEYJ 221 V (220) | T | 59.6/84.1 |
| R519 | 7030003320 | S.RES ERJ3GEYJ 101 V (100) | T | 10.7/50 |
| R520 | 7030003320 | S.RES ERJ3GEYJ 101 V (100) | T | 44.1/85.8 |
| R521 | 7030003320 | S.RES ERJ3GEYJ 101 V (100) | T | 41/85.8 |
| R522 | 7030003320 | S.RES ERJ3GEYJ 101 V (100) | T | 38.6/85.8 |
| R523 | 7030003320 | S.RES ERJ3GEYJ 101 V (100) | T | 36.2/85.8 |
| R525 | 7030003560 | S.RES ERJ3GEYJ 103 V (10K) | T | 8.5/28.1 |
| R527 | 7030003440 | S.RES ERJ3GEYJ 102 V (1K) | T | 59.7/42.1 |
| R528 | 7030003560 | S.RES ERJ3GEYJ 103 V (10K) | T | 59.7/43.3 |
| R529 | 7030009830 | S.RES ERJ12YJ391U (390) | T | 61.1/37.1 |
| R530 | 7030003390 | S.RES ERJ3GEYJ 391 V (390) | T | 60.5/49.6 |
| R531 | 7030003360 | S.RES ERJ3GEYJ 221 V (220) | T | 5.3/19.6 |
| R532 | 7030003640 | S.RES ERJ3GEYJ 473 V (47K) | T | 14.8/40.4 |
| R533 | 7030003710 | S.RES ERJ3GEYJ 184 V (180K) | T | 8.8/51 |
| C1 | 4030011050 | S.CER GRM31M3C2H3R0CY21L (GRM42-6 C.J) | T | 56.7/12.5 |

[RF UNIT]

| REF NO. | PARTS NO. | DESCRIPTION | M. | H/V LOCATION |
|---------|------------|------------------------------------|----|--------------|
| C2 | 4030007150 | S.CER C1608 CH 1H 151J-T | T | 60.8/12.1 |
| C3 | 4030006870 | S.CER C1608 JB 1H 222K-T | T | 72.9/7.4 |
| C4 | 4030011340 | S.CER C1608 CH 1H 471J-T | T | 66.1/9.8 |
| C5 | 4030011340 | S.CER C1608 CH 1H 471J-T | T | 72.9/9.8 |
| C6 | 4030006870 | S.CER C1608 JB 1H 222K-T | T | 66.1/7.4 |
| C7 | 4030006880 | S.CER C1608 JB 1H 472K-T | T | 50.4/15.6 |
| C8 | 4030006880 | S.CER C1608 JB 1H 472K-T | T | 53.1/17.9 |
| C9 | 4030011790 | S.CER GRM55RF52A684ZD01L (GRM44-1) | T | 79.6/3.3 |
| C12 | 4030011600 | S.CER C1608 JB 1E 104K-T | T | 58.1/17.4 |
| C13 | 4030011600 | S.CER C1608 JB 1E 104K-T | T | 58.1/15.5 |
| C14 | 4030011600 | S.CER C1608 JB 1E 104K-T | T | 9.9/19.3 |
| C142 | 4030011600 | S.CER C1608 JB 1E 104K-T | T | 10.6/31.8 |
| C143 | 4510009250 | S.ELE EEEFK1C471P | T | 17.9/5.8 |
| C161 | 4030007070 | S.CER C1608 CH 1H 330J-T | T | 51.6/24.8 |
| C162 | 4030007110 | S.CER C1608 CH 1H 680J-T | T | 48.6/25.5 |
| C163 | 4030007120 | S.CER C1608 CH 1H 820J-T | T | 47.7/21 |
| C164 | 4030006880 | S.CER C1608 JB 1H 472K-T | T | 59.7/44.5 |
| C165 | 4030006880 | S.CER C1608 JB 1H 472K-T | T | 61.1/50.8 |
| C166 | 4030006880 | S.CER C1608 JB 1H 472K-T | T | 60/40.2 |
| C168 | 4030011600 | S.CER C1608 JB 1E 104K-T | T | 49.4/27.5 |
| C169 | 4030011600 | S.CER C1608 JB 1E 104K-T | T | 61/31.4 |
| C170 | 4030011600 | S.CER C1608 JB 1E 104K-T | T | 58.8/33 |
| C171 | 4030011600 | S.CER C1608 JB 1E 104K-T | T | 50.6/31.7 |
| C173 | 4030011600 | S.CER C1608 JB 1E 104K-T | T | 54.8/35.7 |
| C174 | 4030009990 | S.CER C1608 CH 1H 200J-T | T | 47/18.9 |
| C175 | 4030007090 | S.CER C1608 CH 1H 470J-T | T | 47.8/17 |
| C176 | 4030011600 | S.CER C1608 JB 1E 104K-T | T | 57.6/26.5 |
| C181 | 4030011600 | S.CER C1608 JB 1E 104K-T | T | 60.7/61.6 |
| C182 | 4030011600 | S.CER C1608 JB 1E 104K-T | T | 57.8/58.3 |
| C183 | 4030011600 | S.CER C1608 JB 1E 104K-T | T | 55.3/58.4 |
| C184 | 4030007130 | S.CER C1608 CH 1H 101J-T | T | 58.6/54.6 |
| C186 | 4030007130 | S.CER C1608 CH 1H 101J-T | T | 55.6/51.5 |
| C187 | 4030007130 | S.CER C1608 CH 1H 101J-T | T | 56.7/64.7 |
| C195 | 4030011600 | S.CER C1608 JB 1E 104K-T | T | 58.5/51.5 |
| C201 | 4030011600 | S.CER C1608 JB 1E 104K-T | T | 54.6/45.7 |
| C202 | 4030011600 | S.CER C1608 JB 1E 104K-T | T | 50.4/44.5 |
| C203 | 4030008920 | S.CER C1608 JB 1H 473K-T | T | 49.3/45.7 |
| C204 | 4030009980 | S.CER C1608 JB 1H 152K-T | T | 47.8/44.5 |
| C205 | 4030006880 | S.CER C1608 JB 1H 472K-T | T | 45.3/46.4 |
| C206 | 4030008470 | S.CER C1608 JB 1H 272K-T | T | 45.2/44.5 |
| C207 | 4030011600 | S.CER C1608 JB 1E 104K-T | T | 48.5/41.9 |
| C208 | 4030006880 | S.CER C1608 JB 1H 472K-T | T | 46.5/46.4 |
| C221 | 4030008680 | S.CER C2012 JF 1C 1052-T | T | 34.6/12.6 |
| C222 | 4030008470 | S.CER C1608 JB 1H 272K-T | T | 27.3/11.9 |
| C223 | 4030007170 | S.CER C1608 CH 1H 221J-T | T | 25.4/12.4 |
| C224 | 4030006870 | S.CER C1608 JB 1H 222K-T | T | 25.4/11.2 |
| C241 | 4030011600 | S.CER C1608 JB 1E 104K-T | T | 38/16.8 |
| C242 | 4030009970 | S.CER C1608 JB 1H 182K-T | T | 32.3/18 |
| C243 | 4030017870 | S.CER C1608 CH 1H 681J-T | T | 32.3/19.2 |
| C244 | 4030017870 | S.CER C1608 CH 1H 681J-T | T | 30.4/18.5 |
| C245 | 4030008470 | S.CER C1608 JB 1H 272K-T | T | 28.2/22.1 |
| C246 | 4030008850 | S.CER C1608 JB 1H 123K-T | T | 26/17.3 |
| C247 | 4030018610 | S.CER C1608 CH 1H 182J-T | T | 25.4/22.1 |
| C248 | 4030011600 | S.CER C1608 JB 1E 104K-T | T | 24.8/17.3 |
| C249 | 4030011330 | S.CER C1608 CH 1H 391J-T | T | 37.1/20.8 |
| C261 | 4030011600 | S.CER C1608 JB 1E 104K-T | T | 34.6/24.1 |
| C262 | 4030010020 | S.CER C1608 JB 1H 122K-T | T | 27.4/24.4 |
| C263 | 4030007100 | S.CER C1608 CH 1H 560J-T | T | 25.5/24.9 |
| C264 | 4030017870 | S.CER C1608 CH 1H 681J-T | T | 25.5/23.7 |
| C265 | 4030017800 | S.CER C1608 CH 1H 561J-T | T | 28.9/24.4 |
| C266 | 4030007150 | S.CER C1608 CH 1H 151J-T | T | 28.9/27 |
| C281 | 4030011600 | S.CER C1608 JB 1E 104K-T | T | 42.2/30.2 |
| C282 | 4030011340 | S.CER C1608 CH 1H 471J-T | T | 35.8/30.3 |
| C283 | 4030007110 | S.CER C1608 CH 1H 680J-T | T | 34.6/33 |
| C284 | 4030011280 | S.CER C1608 CH 1H 271J-T | T | 34.6/30.3 |
| C285 | 4030010020 | S.CER C1608 JB 1H 122K-T | T | 30.2/33.1 |
| C286 | 4030008770 | S.CER C1608 JB 1H 562K-T | T | 28.3/32.6 |
| C287 | 4030017870 | S.CER C1608 CH 1H 681J-T | T | 28.3/33.8 |
| C288 | 4030011600 | S.CER C1608 JB 1E 104K-T | T | 25.6/29.5 |
| C301 | 4030011600 | S.CER C1608 JB 1E 104K-T | T | 42.2/36.3 |
| C302 | 4030010760 | S.CER C1608 CH 1H 331J-T | T | 35.8/36.4 |
| C303 | 4030007100 | S.CER C1608 CH 1H 560J-T | T | 34.6/39.1 |
| C304 | 4030007160 | S.CER C1608 CH 1H 181J-T | T | 34.6/36.4 |
| C305 | 4030018580 | S.CER C1608 CH 1H 821J-T | T | 30.2/39.2 |
| C306 | 4030008470 | S.CER C1608 JB 1H 272K-T | T | 28.3/38.7 |
| C307 | 4030010760 | S.CER C1608 CH 1H 331J-T | T | 28.3/39.9 |
| C308 | 4030011600 | S.CER C1608 JB 1E 104K-T | T | 25.6/35.6 |
| C321 | 4030006880 | | | |

[RF UNIT]

| REF NO. | PARTS NO. | DESCRIPTION | M. | H/V LOCATION |
|---------|------------|---------------------------|----|--------------|
| C381 | 4030007110 | S.CER C1608 CH 1H 680J-T | T | 46.6/65.7 |
| C382 | 4030007160 | S.CER C1608 CH 1H 181J-T | T | 43.9/65.7 |
| C383 | 4030011600 | S.CER C1608 JB 1E 104K-T | T | 31.5/76.5 |
| C384 | 4030011600 | S.CER C1608 JB 1E 104K-T | T | 50.5/71.9 |
| C385 | 4030011600 | S.CER C1608 JB 1E 104K-T | T | 46/71.9 |
| C386 | 4030011600 | S.CER C1608 JB 1E 104K-T | T | 48.9/71.9 |
| C387 | 4030011600 | S.CER C1608 JB 1E 104K-T | T | 30.4/70.4 |
| C388 | 4030011600 | S.CER C1608 JB 1E 104K-T | T | 31.1/68 |
| C401 | 4030007110 | S.CER C1608 CH 1H 680J-T | T | 47.3/63.6 |
| C402 | 4030007080 | S.CER C1608 CH 1H 390J-T | T | 39.7/63.8 |
| C403 | 4030007150 | S.CER C1608 CH 1H 151J-T | T | 50/60.8 |
| C404 | 4030018580 | S.CER C1608 CH 1H 821J-T | T | 42.8/59.4 |
| C405 | 4030007120 | S.CER C1608 CH 1H 820J-T | T | 34.8/61 |
| C406 | 4030007030 | S.CER C1608 CH 1H 150J-T | T | 34.8/64.4 |
| C407 | 4030007150 | S.CER C1608 CH 1H 151J-T | T | 32.9/61 |
| C408 | 4030007080 | S.CER C1608 CH 1H 390J-T | T | 32.1/62.9 |
| C409 | 4030007140 | S.CER C1608 CH 1H 121J-T | T | 31.3/61 |
| C410 | 4030008560 | S.CER C1608 CH 1H 300J-T | T | 29.3/64.4 |
| C411 | 4030007120 | S.CER C1608 CH 1H 820J-T | T | 29.3/61.6 |
| C412 | 4030007090 | S.CER C1608 CH 1H 470J-T | T | 41.6/64.1 |
| C413 | 4030007030 | S.CER C1608 CH 1H 150J-T | T | 51.2/60.8 |
| C414 | 4030009520 | S.CER C1608 CH 1H 020B-T | T | 45.9/63.6 |
| C441 | 4030011600 | S.CER C1608 JB 1E 104K-T | T | 24.7/67.3 |
| C442 | 4030011600 | S.CER C1608 JB 1E 104K-T | T | 14.8/57.6 |
| C443 | 4030018910 | S.CER C1608 JB 0J 475K-T | T | 14.8/58.8 |
| C444 | 4030011600 | S.CER C1608 JB 1E 104K-T | T | 14.8/73.9 |
| C445 | 4030011600 | S.CER C1608 JB 1E 104K-T | T | 12.6/60.5 |
| C446 | 4030011600 | S.CER C1608 JB 1E 104K-T | T | 10/67.4 |
| C447 | 4030006880 | S.CER C1608 JB 1H 472K-T | T | 16.6/70.5 |
| C448 | 4030011600 | S.CER C1608 JB 1E 104K-T | T | 8.1/60.5 |
| C450 | 4030011600 | S.CER C1608 JB 1E 104K-T | T | 5/76.7 |
| C451 | 4030011600 | S.CER C1608 JB 1E 104K-T | T | 14.1/68.7 |
| C452 | 4030011600 | S.CER C1608 JB 1E 104K-T | T | 15.4/70.5 |
| C453 | 4030011600 | S.CER C1608 JB 1E 104K-T | T | 8.5/58.5 |
| C454 | 4510009250 | S.ELE EEEFK1C471P | T | 14.9/84.8 |
| C455 | 4030007110 | S.CER C1608 CH 1H 680J-T | T | 11.4/77 |
| C456 | 4030007090 | S.CER C1608 CH 1H 470J-T | T | 20/72.6 |
| C457 | 4030007090 | S.CER C1608 CH 1H 470J-T | T | 16.4/61.2 |
| C460 | 4030006900 | S.CER C1608 JB 1H 103K-T | T | 10.9/38.1 |
| C461 | 4030011600 | S.CER C1608 JB 1E 104K-T | T | 7.7/34.9 |
| C462 | 4030006880 | S.CER C1608 JB 1H 472K-T | T | 7.8/40.8 |
| C464 | 4030017480 | S.CER C1608 JB 1A 474K-T | T | 3.2/30 |
| C468 | 4030011600 | S.CER C1608 JB 1E 104K-T | T | 3.3/16.9 |
| C470 | 4030018970 | S.CER C3225 JB 1C 226MT-N | T | 2.9/45.8 |
| C471 | 4030018970 | S.CER C3225 JB 1C 226MT-N | T | 5.9/45 |
| C480 | 4030017490 | S.CER C1608 JB 1A 105K-T | T | 2.1/26.4 |
| C481 | 4030011600 | S.CER C1608 JB 1E 104K-T | T | 4.3/22.9 |
| C482 | 4030017490 | S.CER C1608 JB 1A 105K-T | T | 2.1/27.6 |
| C483 | 4030017490 | S.CER C1608 JB 1A 105K-T | T | 2.1/25.2 |
| C504 | 4030006880 | S.CER C1608 JB 1H 472K-T | T | 30.2/85.1 |
| C506 | 4030006880 | S.CER C1608 JB 1H 472K-T | T | 76.1/93.6 |
| C507 | 4030006880 | S.CER C1608 JB 1H 472K-T | T | 63.5/84.1 |
| C508 | 4030006880 | S.CER C1608 JB 1H 472K-T | T | 66.1/77.3 |
| C509 | 4030006880 | S.CER C1608 JB 1H 472K-T | T | 63.5/78.8 |
| C510 | 4030006880 | S.CER C1608 JB 1H 472K-T | T | 61.7/72.9 |
| C511 | 4030006880 | S.CER C1608 JB 1H 472K-T | T | 62.5/71 |
| C512 | 4030006880 | S.CER C1608 JB 1H 472K-T | T | 60.5/66 |
| C513 | 4030006880 | S.CER C1608 JB 1H 472K-T | T | 72.7/94.9 |
| C514 | 4030006880 | S.CER C1608 JB 1H 472K-T | T | 68.8/94.6 |
| C515 | 4030006880 | S.CER C1608 JB 1H 472K-T | T | 66.7/86.7 |
| C516 | 4030006880 | S.CER C1608 JB 1H 472K-T | T | 60.8/84.1 |
| C517 | 4030006880 | S.CER C1608 JB 1H 472K-T | T | 63.5/81.4 |
| C518 | 4030006880 | S.CER C1608 JB 1H 472K-T | T | 68.1/43.4 |
| C520 | 4030006880 | S.CER C1608 JB 1H 472K-T | T | 67.1/51.9 |
| C521 | 4030006880 | S.CER C1608 JB 1H 472K-T | T | 72.2/53.5 |
| C523 | 4030011600 | S.CER C1608 JB 1E 104K-T | T | 11.9/50 |
| C524 | 4030006860 | S.CER C1608 JB 1H 102K-T | T | 30.6/94.9 |
| C525 | 4030006860 | S.CER C1608 JB 1H 102K-T | T | 27.6/95 |
| C526 | 4030006860 | S.CER C1608 JB 1H 102K-T | T | 25.1/95 |
| C527 | 4030006860 | S.CER C1608 JB 1H 102K-T | T | 20.1/95 |
| C528 | 4030006880 | S.CER C1608 JB 1H 472K-T | T | 66.5/94.9 |
| C529 | 4030006880 | S.CER C1608 JB 1H 472K-T | T | 62.7/88.7 |
| C530 | 4030006880 | S.CER C1608 JB 1H 472K-T | T | 61.5/88.7 |
| C531 | 4030006880 | S.CER C1608 JB 1H 472K-T | T | 34.1/94.9 |
| C532 | 4030006880 | S.CER C1608 JB 1H 472K-T | T | 32.9/94.9 |
| C533 | 4030007090 | S.CER C1608 CH 1H 470J-T | T | 37.4/85.8 |
| C534 | 4030007090 | S.CER C1608 CH 1H 470J-T | T | 39.8/85.8 |
| C535 | 4030007090 | S.CER C1608 CH 1H 470J-T | T | 42.2/85.8 |
| C536 | 4030007090 | S.CER C1608 CH 1H 470J-T | T | 45.3/85.8 |
| C537 | 4030006880 | S.CER C1608 JB 1H 472K-T | T | 33.8/85.8 |
| C538 | 4030006880 | S.CER C1608 JB 1H 472K-T | T | 50.7/88.2 |
| C539 | 4030006880 | S.CER C1608 JB 1H 472K-T | T | 51.9/88.7 |
| C542 | 4030006880 | S.CER C1608 JB 1H 472K-T | T | 53.1/88.7 |
| C543 | 4030006880 | S.CER C1608 JB 1H 472K-T | T | 46.5/85.8 |
| C544 | 4030006880 | S.CER C1608 JB 1H 472K-T | T | 47.7/85.8 |
| C545 | 4030006880 | S.CER C1608 JB 1H 472K-T | T | 48.9/85.8 |
| C546 | 4030011600 | S.CER C1608 JB 1E 104K-T | T | 50.1/85.4 |
| C547 | 4030006880 | S.CER C1608 JB 1H 472K-T | T | 57.9/88.7 |
| C548 | 4030006880 | S.CER C1608 JB 1H 472K-T | T | 56.7/88.7 |
| C549 | 4030006880 | S.CER C1608 JB 1H 472K-T | T | 35/85.8 |
| C551 | 4030006880 | S.CER C1608 JB 1H 472K-T | T | 59.1/88.7 |
| C552 | 4030006880 | S.CER C1608 JB 1H 472K-T | T | 72.7/93.7 |
| C553 | 4030006880 | S.CER C1608 JB 1H 472K-T | T | 60.3/88.7 |
| C554 | 4030011600 | S.CER C1608 JB 1E 104K-T | T | 65.5/43.4 |
| C555 | 4030011600 | S.CER C1608 JB 1E 104K-T | T | 53.8/29.7 |
| C556 | 4030006880 | S.CER C1608 JB 1H 472K-T | T | 38.4/89 |
| C557 | 4030006880 | S.CER C1608 JB 1H 472K-T | T | 38.4/90.2 |
| C558 | 4030006880 | S.CER C1608 JB 1H 472K-T | T | 36.2/94.2 |
| C559 | 4030006880 | S.CER C1608 JB 1H 472K-T | T | 36.2/95.4 |
| C560 | 4030006880 | S.CER C1608 JB 1H 472K-T | T | 32.6/85.8 |
| C561 | 4030006880 | S.CER C1608 JB 1H 472K-T | T | 49.5/88.7 |
| RL1 | 6330001721 | REL ATN207-K1 | | |

[RF UNIT]

| REF NO. | PARTS NO. | DESCRIPTION | M. | H/V LOCATION |
|---------|------------|---------------------------|----|--------------|
| RL501 | 6330001721 | REL ATN207-K1 | | |
| J5 | 6510024151 | S.CON 50FY-BMT-TB(LF)(SN) | T | 22.2/90.9 |
| J6 | 6510024151 | S.CON 50FY-BMT-TB(LF)(SN) | T | 51.7/93.1 |
| J7 | 6510007020 | CON TMP-J01X-V6 | | |
| J8 | 6510007020 | CON TMP-J01X-V6 | | |
| J10 | 6510007020 | CON TMP-J01X-V6 | | |
| J501 | 6450001641 | CON TCS5044-0141177 | | |
| J502 | 6450001130 | CON JPJ2042-01-110 | | |
| J503 | 6510023900 | CON LGR4619-7000 0 | | |
| EP170 | 6910012350 | S.BEA MMZ1608Y 102BT | T | 60.9/25.7 |
| EP501 | 6910012350 | S.BEA MMZ1608Y 102BT | T | 70.3/48 |
| EP502 | 6910018930 | S.BEA MPZ2012S601A | T | 65.8/84 |
| EP503 | 6910018930 | S.BEA MPZ2012S601A | T | 65.8/79.6 |
| EP504 | 6910018930 | S.BEA MPZ2012S601A | T | 65.8/73.2 |
| EP505 | 6910018930 | S.BEA MPZ2012S601A | T | 73.8/29.7 |
| EP507 | 6910018930 | S.BEA MPZ2012S601A | T | 28.1/87.4 |
| EP509 | 6910018930 | S.BEA MPZ2012S601A | T | 23.9/85.8 |
| EP510 | 6910018930 | S.BEA MPZ2012S601A | T | 21.6/85.8 |
| EP511 | 6910012350 | S.BEA MMZ1608Y 102BT | T | 67.1/53.2 |
| EP512 | 6910012350 | S.BEA MMZ1608Y 102BT | T | 72.2/54.8 |

[PA UNIT]

| REF NO. | PARTS NO. | DESCRIPTION | M. | H/V LOCATION |
|---------|------------|-------------------------------------|----|--------------|
| IC1 | 1180001251 | S.IC TA7808F(TE16L,Q) | T | 17.3/40.6 |
| IC2 | 1110003800 | S.IC NJM2904V-TE1-#FMZB | T | 6.5/23 |
| Q1 | 1560001241 | S.FET RD01MUS1-T113 | T | 26.7/30.7 |
| Q2 | 1560001530 | FET RD15HVF1-101 | | |
| Q3 | 1560001530 | FET RD15HVF1-101 | | |
| Q4 | 1560001640 | FET RD100HHF1C-103 | | |
| Q5 | 1560001640 | FET RD100HHF1C-103 | | |
| Q7 | 1590000680 | S.TRA DTC114EUA T106 | T | 20/58.5 |
| Q131 | 1540000550 | S.TRA 2SD1664 T100Q | T | 144.6/84.4 |
| D4 | 1790000700 | DIO DSA3A1 | | |
| D5 | 1790000700 | DIO DSA3A1 | | |
| D6 | 1790001250 | S.DIO MA2S111-(TX) 0 | T | 11.6/56.1 |
| D8 | 1790001250 | S.DIO MA2S111-(TX) 0 | T | 84.8/12.9 |
| D9 | 1790001250 | S.DIO MA2S111-(TX) 0 | T | 84.8/54.1 |
| D10 | 1790001250 | S.DIO MA2S111-(TX) 0 | T | 38.3/9.6 |
| D11 | 1790001250 | S.DIO MA2S111-(TX) 0 | T | 39.1/39 |
| D17 | 1790001250 | S.DIO MA2S111-(TX) 0 | T | 89.2/56.7 |
| D18 | 1790001250 | S.DIO MA2S111-(TX) 0 | T | 89.2/10.3 |
| L1 | 6140002350 | COI LR-274 (RIB4X7X5 3A6) | | |
| L2 | 6140004690 | COI LR-530 <KN> | | |
| L3 | 6140004700 | COI LR-529 | | |
| L4 | 6140003590 | COI LR-400 (TR10X5X5 6H3) | | |
| L5 | 6140004570 | COI LR-507 | | |
| L7 | 6140002220 | COI LR-270 (TR6X3X2 3A9) | | |
| L24 | 6200003241 | S.COI NLV32T-221J | T | 21.4/16.8 |
| L25 | 6200003241 | S.COI NLV32T-221J | T | 18.4/13.8 |
| L29 | 6140003440 | COI LR-386 (FK-100E-5003H) [EUR] | | |
| | 6140003440 | COI LR-386 (FK-100E-5003H) [FRA] | | |
| | 6140003440 | COI LR-386 (FK-100E-5003H) [ITR] | | |
| | 6140003440 | COI LR-386 (FK-100E-5003H) [ESP] | | |
| | 6140003440 | COI LR-386 (FK-100E-5003H) [EUR-01] | | |
| L38 | 6140003440 | COI LR-386 (FK-100E-5003H) [EUR] | | |
| | 6140003440 | COI LR-386 (FK-100E-5003H) [FRA] | | |
| | 6140003440 | COI LR-386 (FK-100E-5003H) [ITR] | | |
| | 6140003440 | COI LR-386 (FK-100E-5003H) [ESP] | | |
| | 6140003440 | COI LR-386 (FK-100E-5003H) [EUR-01] | | |
| L131 | 6200002041 | S.COI NLV25T-101J | T | 36/80.2 |
| R1 | 7030003310 | S.RES ERJ3GEYJ 820 V (82) | T | 23.5/31.1 |
| R2 | 7030003510 | S.RES ERJ3GEYJ 392 V (3.9K) | T | 22.3/31.1 |
| R3 | 7030003410 | S.RES ERJ3GEYJ 561 V (560) | T | 26.8/26 |
| R4 | 7030006210 | S.RES ERJ12YJ4R7U (4.7) | T | 31/34.1 |
| R5 | 7030008180 | S.RES ERJ12YJ331U (330) | T | 29.5/24.1 |
| R6 | 7030003450 | S.RES ERJ3GEYJ 122 V (1.2K) | T | 23.5/33.8 |
| R7 | 7030000220 | S.RES MCR10EZHJ 47 (470) | T | 40.3/41 |
| R8 | 7030000220 | S.RES MCR10EZHJ 47 (470) | T | 40.2/8.2 |
| R9 | 7030010480 | S.RES ERJ1TYJ 181U (180) | T | 49.4/34.7 |
| R10 | 7030010480 | S.RES ERJ1TYJ 181U (180) | T | 49.4/6.6 |
| R11 | 7030003230 | S.RES ERJ3GEYJ 180 V (18) | T | 15.5/25.8 |
| R12 | 7030003370 | S.RES ERJ3GEYJ 271 V (270) | T | 16.2/27.8 |
| R13 | 7030003370 | S.RES ERJ3GEYJ 271 V (270) | T | 16.8/25.8 |
| R15 | 7030010410 | S.RES ERJ1TYJ 220U (220) | T | 107.4/38.5 |
| R16 | 7030010410 | S.RES ERJ1TYJ 220U (22) | T | 107.4/28.5 |
| R17 | 7030003510 | S.RES ERJ3GEYJ 392 V (3.9K) | T | 90/54.8 |
| R18 | 7030003510 | S.RES ERJ3GEYJ 392 V (3.9K) | T | 90/12.2 |
| R20 | 7030000010 | S.RES MCR10EZHJ JPW (000) | T | 21.5/26 |
| R22 | 7030010950 | S.RES ERJ1TYJ 100U (10) | T | 74.2/18 |
| R25 | 7030005971 | S.RES ERA3YKD 683V (68K) | T | 143.1/80.4 |
| R26 | 7030005981 | S.RES ERA3YED 333V (33K) | T | 138.6/80.4 |
| R27 | 7030005981 | S.RES ERA3YED 333V (33K) | T | 136.9/80.4 |
| R29 | 7030007661 | S.RES ERA3YED 331V (330) | T | 140.5/81.1 |
| R31 | 7030003450 | S.RES ERJ3GEYJ 122 V (1.2K) | T | 92.4/7.7 |
| R32 | 703001 | | | |

[PA UNIT]

| REF NO. | PARTS NO. | DESCRIPTION | M. | H/V LOCATION |
|---------|------------|--|----|--------------|
| R34 | 7030010410 | S.RES ERJ1TYJ 220U (22) | T | 103.3/38.5 |
| R36 | 7030010410 | S.RES ERJ1TYJ 220U (22) | T | 103.3/28.5 |
| R37 | 7030010410 | S.RES ERJ1TYJ 220U (22) | T | 87.7/50.7 |
| R38 | 7030010410 | S.RES ERJ1TYJ 220U (22) | T | 87.7/16.3 |
| R39 | 7030011240 | S.RES LRF3W-LF-01-R020F | T | 137.8/75.5 |
| R40 | 7030011240 | S.RES LRF3W-LF-01-R020F | T | 137.8/68.5 |
| R41 | 7030003320 | S.RES ERJ3GEYJ 101 V (100) | T | 18.4/64.4 |
| R42 | 7030003320 | S.RES ERJ3GEYJ 101 V (100) | T | 18.4/68.1 |
| R43 | 7030003320 | S.RES ERJ3GEYJ 101 V (100) | T | 17.4/71.7 |
| R44 | 7030003400 | S.RES ERJ3GEYJ 471 V (470) | T | 9.6/25.2 |
| R45 | 7030003400 | S.RES ERJ3GEYJ 471 V (470) | T | 8.2/17.8 |
| R46 | 7030003480 | S.RES ERJ3GEYJ 222 V (2.2K) | T | 41.3/43 |
| R47 | 7030003480 | S.RES ERJ3GEYJ 222 V (2.2K) | T | 41.2/6.1 |
| R49 | 7030011130 | S.RES ERJ1TYJ 1R0U (1) | T | 99.8/13.4 |
| R50 | 7510001551 | S.THE NTCG16 4LH 333JT | T | 105.1/6.2 |
| R51 | 7030003440 | S.RES ERJ3GEYJ 102 V (1K) | T | 33.6/32.7 |
| R52 | 7030004040 | S.RES ERJ3GEYJ 4R7 V (4.7) | T | 24.1/59.3 |
| R55 | 7030005971 | S.RES ERA3YKD 683V (68K) | T | 136.9/85.7 |
| R60 | 7030011130 | S.RES ERJ1TYJ 1R0U (1) | T | 99.8/53.5 |
| R71 | 7030003650 | S.RES ERJ3GEYJ 563 V (56K) | T | 6/28.2 |
| R72 | 7030003680 | S.RES ERJ3GEYJ 104 V (100K) | T | 4.8/28.2 |
| R73 | 7030003650 | S.RES ERJ3GEYJ 563 V (56K) | T | 8.4/26.7 |
| R74 | 7030003680 | S.RES ERJ3GEYJ 104 V (100K) | T | 7.2/28.2 |
| R75 | 7030003680 | S.RES ERJ3GEYJ 104 V (100K) | T | 3.4/19.3 |
| R76 | 7030003650 | S.RES ERJ3GEYJ 563 V (56K) | T | 7/17.8 |
| R77 | 7030003680 | S.RES ERJ3GEYJ 104 V (100K) | T | 5.8/17.1 |
| R78 | 7030003650 | S.RES ERJ3GEYJ 563 V (56K) | T | 4.6/19.3 |
| R79 | 7030003320 | S.RES ERJ3GEYJ 101 V (100) | T | 10.4/20.8 |
| R81 | 7030008240 | S.RES ERJ12Y0R00U | T | 40.2/32.4 |
| R82 | 7030008240 | S.RES ERJ12Y0R00U | T | 40.2/16.8 |
| R106 | 7030010250 | S.RES ERJ1TYJ 0R00U | T | 92.5/39.8 |
| R107 | 7030010250 | S.RES ERJ1TYJ 0R00U | T | 92.5/27.2 |
| R120 | 7030010250 | S.RES ERJ1TYJ 0R00U | T | 149.9/59.8 |
| R131 | 7030003400 | S.RES ERJ3GEYJ 471 V (470) | T | 141.3/85.2 |
| R132 | 7030003860 | S.RES ERJ3GE JPW V | T | 148.3/84.3 |
| C1 | 4030017320 | S.CER GRM21BB11H104KA01L (GRM40-034) | T | 23.3/28 |
| C2 | 4030008960 | S.CER C2012 JB 1C 104K-T | T | 25.2/26.4 |
| C3 | 4030004720 | S.CER C2012 JB 1H 102K-T | T | 25.9/37.6 |
| C4 | 4030005110 | S.CER C2012 JB 1E 473K-T | T | 28.5/19.5 |
| C5 | 4030012490 | S.CER GRM31M1X2A472JZ01L (GRM42-6 SL) | T | 43.9/37.1 |
| C6 | 4030012490 | S.CER GRM31M1X2A472JZ01L (GRM42-6 SL) | T | 43.9/9 |
| C8 | 4030005110 | S.CER C2012 JB 1E 473K-T | T | 30.1/28.7 |
| C12 | 4030007130 | S.CER C1608 CH 1H 101J-T | T | 14.3/25.8 |
| C17 | 4030008920 | S.CER C1608 JB 1H 473K-T | T | 22.3/33.8 |
| C19 | 4030008920 | S.CER C1608 JB 1H 473K-T | T | 23.5/36.4 |
| C21 | 4030005110 | S.CER C2012 JB 1E 473K-T | T | 72.6/12.3 |
| C22 | 4030006860 | S.CER C1608 JB 1H 102K-T | T | 74.2/12.7 |
| C27 | 4510009250 | S.ELE EEEFK1C471P | T | 180.9/73.1 |
| C28 | 4030006880 | S.CER C1608 JB 1H 472K-T | T | 150.9/72 |
| C29 | 4030011600 | S.CER C1608 JB 1E 104K-T | T | 161.5/72 |
| C30 | 4030007170 | S.CER C1608 CH 1H 221J-T | T | 165.3/72 |
| C31 | 4030005110 | S.CER C2012 JB 1E 473K-T | T | 125.3/80.5 |
| C32 | 4510009250 | S.ELE EEEFK1C471P | T | 130.6/81.6 |
| C33 | 4030006880 | S.CER C1608 JB 1H 472K-T | T | 119.6/70.3 |
| C34 | 4030007170 | S.CER C1608 CH 1H 221J-T | T | 117.3/70.3 |
| C35 | 4030018980 | S.CER C1608 JB 1H 104K-T | T | 115/70.3 |
| C42 | 4510009250 | S.ELE EEEFK1C471P | T | 145.8/73.1 |
| C43 | 4030006880 | S.CER C1608 JB 1H 472K-T | T | 94.8/6.2 |
| C44 | 4030006880 | S.CER C1608 JB 1H 472K-T | T | 90/7.7 |
| C46 | 4030006880 | S.CER C1608 JB 1H 472K-T | T | 23.1/76.3 |
| C47 | 4030006880 | S.CER C1608 JB 1H 472K-T | T | 135.7/83 |
| C52 | 4030008920 | S.CER C1608 JB 1H 473K-T | T | 96/6.2 |
| C53 | 4030008920 | S.CER C1608 JB 1H 473K-T | T | 18.6/56 |
| C54 | 4030008920 | S.CER C1608 JB 1H 473K-T | T | 91.2/7.7 |
| C55 | 4030006880 | S.CER C1608 JB 1H 472K-T | T | 18.4/17.6 |
| C56 | 4030006860 | S.CER C1608 JB 1H 102K-T | T | 15.5/14.2 |
| C57 | 4030006880 | S.CER C1608 JB 1H 472K-T | T | 19.2/8.6 |
| C59 | 4510009250 | S.ELE EEEFK1C471P [EUR] | T | 81.2/72.6 |
| | 4510009250 | S.ELE EEEFK1C471P [FRA] | | |
| | 4510009250 | S.ELE EEEFK1C471P [ITR] | | |
| | 4510009250 | S.ELE EEEFK1C471P [ESP] | | |
| | 4510009250 | S.ELE EEEFK1C471P [EUR-01] | | |
| C60 | 4030004740 | S.CER C2012 JB 1H 472K-T [EUR] | T | 75.9/75.2 |
| | 4030004740 | S.CER C2012 JB 1H 472K-T [FRA] | | |
| | 4030004740 | S.CER C2012 JB 1H 472K-T [ITR] | | |
| | 4030004740 | S.CER C2012 JB 1H 472K-T [ESP] | | |
| | 4030004740 | S.CER C2012 JB 1H 472K-T [EUR-01] | | |
| C61 | 4030004740 | S.CER C2012 JB 1H 472K-T [EUR] | T | 75.9/69.8 |
| | 4030004740 | S.CER C2012 JB 1H 472K-T [FRA] | | |
| | 4030004740 | S.CER C2012 JB 1H 472K-T [ITR] | | |
| | 4030004740 | S.CER C2012 JB 1H 472K-T [ESP] | | |
| | 4030004740 | S.CER C2012 JB 1H 472K-T [EUR-01] | | |
| C62 | 4030018980 | S.CER C1608 JB 1H 104K-T [EUR] | T | 42.8/72.5 |
| | 4030018980 | S.CER C1608 JB 1H 104K-T [FRA] | | |
| | 4030018980 | S.CER C1608 JB 1H 104K-T [ITR] | | |
| | 4030018980 | S.CER C1608 JB 1H 104K-T [ESP] | | |
| | 4030018980 | S.CER C1608 JB 1H 104K-T [EUR-01] | | |
| C63 | 4560000170 | CER D67X5T 1E 684M51 (MARUWA) [EUR] | | |
| | 4560000170 | CER D67X5T 1E 684M51 (MARUWA) [FRA] | | |
| | 4560000170 | CER D67X5T 1E 684M51 (MARUWA) [ITR] | | |
| | 4560000170 | CER D67X5T 1E 684M51 (MARUWA) [ESP] | | |
| | 4560000170 | CER D67X5T 1E 684M51 (MARUWA) [EUR-01] | | |
| C66 | 4030018750 | S.CER C3225 CH 2J 682K-T | T | 95.6/43.8 |

[PA UNIT]

| REF NO. | PARTS NO. | DESCRIPTION | M. | H/V LOCATION |
|---------|------------|---------------------------------------|----|--------------|
| C67 | 4030018750 | S.CER C3225 CH 2J 682K-T | T | 95.6/23.2 |
| C71 | 4030011550 | S.CER GRM31M2C2H680JV01L (GRM42-6 CH) | T | 59.5/33.5 |
| C72 | 4030014460 | S.CER GRM31M2C2H820JV01L (GRM42-6 CH) | T | 57.4/33.5 |
| C73 | 4030018750 | S.CER C3225 CH 2J 682K-T | T | 103/17.9 |
| C74 | 4030018750 | S.CER C3225 CH 2J 682K-T | T | 103/49 |
| C77 | 4030006880 | S.CER C1608 JB 1H 472K-T | T | 21.9/76.3 |
| C78 | 4030006860 | S.CER C1608 JB 1H 102K-T | T | 16.2/75.7 |
| C79 | 4030006880 | S.CER C1608 JB 1H 472K-T | T | 9.8/85.8 |
| C80 | 4030006880 | S.CER C1608 JB 1H 472K-T | T | 8.6/83.1 |
| C81 | 4030018530 | S.CER C3216 CH 1H 103J-T | T | 41/37.8 |
| C82 | 4030018530 | S.CER C3216 CH 1H 103J-T | T | 41/11.4 |
| C83 | 4030008920 | S.CER C1608 JB 1H 473K-T | T | 37.5/7.8 |
| C84 | 4030008920 | S.CER C1608 JB 1H 473K-T | T | 38.3/37.1 |
| C85 | 4030008920 | S.CER C1608 JB 1H 473K-T | T | 83.3/11.9 |
| C86 | 4030008920 | S.CER C1608 JB 1H 473K-T | T | 83.2/55.1 |
| C87 | 4030011600 | S.CER C1608 JB 1E 104K-T | T | 22/58.6 |
| C88 | 4030011600 | S.CER C1608 JB 1E 104K-T | T | 17.2/64.4 |
| C89 | 4030011600 | S.CER C1608 JB 1E 104K-T | T | 17.2/68.1 |
| C90 | 4030011600 | S.CER C1608 JB 1E 104K-T | T | 16.2/71.8 |
| C91 | 4030011600 | S.CER C1608 JB 1E 104K-T | T | 19.8/75.8 |
| C92 | 4030011600 | S.CER C1608 JB 1E 104K-T | T | 17.4/75.8 |
| C93 | 4030011600 | S.CER C1608 JB 1E 104K-T | T | 29.1/79.2 |
| C94 | 4030011600 | S.CER C1608 JB 1E 104K-T | T | 16.9/20.8 |
| C97 | 4030006880 | S.CER C1608 JB 1H 472K-T | T | 18.6/75.8 |
| C100 | 4030011600 | S.CER C1608 JB 1E 104K-T | T | 82.1/11.9 |
| C101 | 4030011600 | S.CER C1608 JB 1E 104K-T | T | 81.9/55.1 |
| C102 | 4030018960 | S.CER C3216 JB 1C 106MT-N | T | 8.2/42.9 |
| C103 | 4030018960 | S.CER C3216 JB 1C 106MT-N | T | 8.2/38 |
| C104 | 4030011600 | S.CER C1608 JB 1E 104K-T | T | 10/42.6 |
| C105 | 4030011600 | S.CER C1608 JB 1E 104K-T | T | 10/38.3 |
| C106 | 4030011730 | S.CER GRM31M2C2H101JV01L (GRM42-6 CH) | T | 85/42.6 |
| C107 | 4030011730 | S.CER GRM31M2C2H101JV01L (GRM42-6 CH) | T | 85/24.4 |
| C111 | 4030011550 | S.CER GRM31M2C2H680JV01L (GRM42-6 CH) | T | 134.8/57.9 |
| C112 | 4030011550 | S.CER GRM31M2C2H680JV01L (GRM42-6 CH) | T | 134.8/9 |
| C113 | 4030011740 | S.CER GRM32N2C2H201JV01L (GRM42-2 CH) | T | 144.1/33.5 |
| C114 | 4030011740 | S.CER GRM32N2C2H201JV01L (GRM42-2 CH) | T | 140.9/33.5 |
| C115 | 4030011740 | S.CER GRM32N2C2H201JV01L (GRM42-2 CH) | T | 137.7/33.5 |
| C116 | 4030011740 | S.CER GRM32N2C2H201JV01L (GRM42-2 CH) | T | 134.5/33.5 |
| C121 | 4030011600 | S.CER C1608 JB 1E 104K-T | T | 9.2/20.8 |
| C122 | 4510009250 | S.ELE EEEFK1C471P | T | 155.9/73.1 |
| C123 | 4510009250 | S.ELE EEEFK1C471P | T | 171.7/73.1 |
| C124 | 4510009250 | S.ELE EEEFK1C471P | T | 120/81.6 |
| C125 | 4030011600 | S.CER C1608 JB 1E 104K-T | T | 24.3/76.3 |
| C130 | 4030011600 | S.CER C1608 JB 1E 104K-T | T | 22/56 |
| C131 | 4030006880 | S.CER C1608 JB 1H 472K-T | T | 36.3/78.3 |
| C132 | 4030011600 | S.CER C1608 JB 1E 104K-T | T | 146.2/80.8 |
| C133 | 4030018960 | S.CER C3216 JB 1C 106MT-N | T | 147.9/80.1 |
| C134 | 4030006880 | S.CER C1608 JB 1H 472K-T | T | 140.1/85.2 |
| RL1 | 6330001600 | REL ALD 112 | | |
| J4 | 6510024151 | S.CON 50FY-BMT-TB(LF)(SN) | T | 25.2/83.9 |
| J8 | 6510007020 | CON TMP-J01X-V6 | | |
| J9 | 6510007020 | CON TMP-J01X-V6 | | |
| J13 1 | 6510014961 | S.CON B2B-ZR-SM4-TF(LF)(SN) | T | 151.1/82.7 |
| J132 | 6510014961 | S.CON B2B-ZR-SM4-TF(LF)(SN) | T | 157.2/82.7 |
| F1 | 5220000400 | HOL FHA010-01F | | |
| F2 | 5210000940 | FUS 1205 | | |
| W40 | 8900018210 | CAB OPC-1942 [USA] | | |
| | 8900018220 | CAB OPC-1943 [EUR] | | |
| | 8900018220 | CAB OPC-1943 [FRA] | | |
| | 8900018220 | CAB OPC-1943 [ITR] | | |
| | 8900018220 | CAB OPC-1943 [ESP] | | |
| | 8900018220 | CAB OPC-1943 [EUR-01] | | |
| | 8900017860 | CAB OPC-1857 [KOR] | | |
| | 8900017860 | CAB OPC-1857 [CHN] | | |
| | 8900017860 | CAB OPC-1857 [EXP] | | |
| EP1 | 6910019200 | S.BEA N2012ZPS121T50 | T | 71.4/19.4 |
| EP2 | 6910019200 | S.BEA N2012ZPS121T50 | T | 71.4/16.1 |
| EP6 | 6910012350 | S.BEA MMZ1608Y 102BT | T | 19/21.6 |
| EP8 | 6910019200 | S.BEA N2012ZPS121T50 | T | 70.8/12.3 |
| EP11 | 6910012350 | S.BEA MMZ1608Y 102BT | T | 24.3/80 |
| EP12 | 6910019200 | S.BEA N2012ZPS121T50 | T | 26.3/79.4 |
| EP21 | 6910012350 | S.BEA MMZ1608Y 102BT | T | 9.8/83.1 |
| EP26 | 6910018930 | S.BEA MPZ2012S601A | T | 22/8.8 |
| EP27 | 6910018930 | S.BEA MPZ2012S601A | T | 28.5/7.5 |

M.=Mounted side (T: Mounted on the Top side, B: Mounted on the Bottom side)
S.=Surface mount

[FILTER BOARD]

| REF NO. | PARTS NO. | DESCRIPTION | M. | H/V LOCATION |
|---------|------------|---------------------------------------|----|--------------|
| Q149 | 1590001960 | S.TRA XP4311(TX) | T | 87.6/70.7 |
| Q150 | 1590001960 | S.TRA XP4311(TX) | T | 78.2/83.6 |
| Q151 | 1590001960 | S.TRA XP4311(TX) | T | 83.3/83.7 |
| Q152 | 1590001960 | S.TRA XP4311(TX) | T | 85.8/34.9 |
| Q153 | 1590001960 | S.TRA XP4311(TX) | T | 85.8/23.7 |
| Q154 | 1590001960 | S.TRA XP4311(TX) | T | 85.8/59.4 |
| Q158 | 1590001960 | S.TRA XP4311(TX) | T | 86/48.8 |
| D21 | 1790001250 | S.DIO MA2S111-(TX) 0 | T | 86.1/52 |
| D41 | 1790001250 | S.DIO MA2S111-(TX) 0 | T | 86.1/16 |
| D61 | 1790001250 | S.DIO MA2S111-(TX) 0 | T | 86.1/26.5 |
| D81 | 1790001250 | S.DIO MA2S111-(TX) 0 | T | 86.1/77.4 |
| D101 | 1790001250 | S.DIO MA2S111-(TX) 0 | T | 72.3/83.6 |
| D121 | 1790001250 | S.DIO MA2S111-(TX) 0 | T | 86.5/61.7 |
| D147 | 1790001250 | S.DIO MA2S111-(TX) 0 | T | 86.1/40.1 |
| L21 | 6140001990 | COI LR-226 (T68-2) | T | |
| L22 | 6140002000 | COI LR-227 (T68-2) | T | |
| L23 | 6200005051 | S.COI NLV25T-330J | T | 86.7/55 |
| L24 | 6200005051 | S.COI NLV25T-330J | T | 10.3/63.9 |
| L41 | 6140001240 | COI LR-149 (T68-2) | T | |
| L42 | 6140001130 | COI LR-138 (T68-2) | T | |
| L43 | 6200005051 | S.COI NLV25T-330J | T | 86.7/19 |
| L44 | 6200005051 | S.COI NLV25T-330J | T | 2.4/17.6 |
| L61 | 6140001800 | COI LR-216 (T50-2) | T | |
| L62 | 6140001800 | COI LR-216 (T50-2) | T | |
| L63 | 6200005051 | S.COI NLV25T-330J | T | 86.7/29.5 |
| L64 | 6140001800 | COI LR-216 (T50-2) | T | |
| L65 | 6200005051 | S.COI NLV25T-330J | T | 4.6/31.8 |
| L81 | 6140003500 | COI LR-392 (T50-10) | T | |
| L82 | 6140003500 | COI LR-392 (T50-10) | T | |
| L83 | 6200005051 | S.COI NLV25T-330J | T | 86.7/80.4 |
| L84 | 6140001810 | COI LR-217 (T50-10) | T | |
| L85 | 6200005051 | S.COI NLV25T-330J | T | 3/79.4 |
| L101 | 6110002910 | COI LA-480 | T | |
| L102 | 6110002920 | COI LA-481 | T | |
| L103 | 6200005011 | S.COI NLV25T-100J | T | 73.6/86.2 |
| L104 | 6200005011 | S.COI NLV25T-100J | T | 9.1/81.2 |
| L121 | 6110002900 | COI LA-479 | T | |
| L122 | 6110002890 | COI LA-478 | T | |
| L123 | 6200005011 | S.COI NLV25T-100J | T | 86.7/65.2 |
| L124 | 6200005011 | S.COI NLV25T-100J | T | 11.9/68.2 |
| L141 | 6110003540 | COI LA-548 (LA-215A) | T | |
| L142 | 6110003570 | COI LA-550 | T | |
| L143 | 6110003550 | COI LA-547 (LA-214A) | T | |
| L144 | 6200002861 | S.COI NLV25T-4R7J | T | 86.7/43.1 |
| L145 | 6200002861 | S.COI NLV25T-4R7J | T | 4.8/49.8 |
| R21 | 7030003340 | S.RES ERJ3GEYJ 151 V (150) | T | 85.9/57.5 |
| R41 | 7030003340 | S.RES ERJ3GEYJ 151 V (150) | T | 85.9/21.8 |
| R61 | 7030003340 | S.RES ERJ3GEYJ 151 V (150) | T | 85.9/33 |
| R81 | 7030003340 | S.RES ERJ3GEYJ 151 V (150) | T | 85.8/82.8 |
| R101 | 7030003340 | S.RES ERJ3GEYJ 151 V (150) | T | 76/83.7 |
| R121 | 7030003340 | S.RES ERJ3GEYJ 151 V (150) | T | 86.7/68.2 |
| R141 | 7030003340 | S.RES ERJ3GEYJ 151 V (150) | T | 84.6/46.3 |
| C21 | 4030008920 | S.CER C1608 JB 1H 473K-T | T | 7/63.4 |
| C22 | 4030008920 | S.CER C1608 JB 1H 473K-T | T | 87.3/52 |
| C23 | 4010007510 | CER HM17SJ SL 821J 500V 1 | T | |
| C24 | 4320001050 | S.MIC UC342H 3900J-T | T | 30.1/49 |
| C26 | 4010007510 | CER HM17SJ SL 821J 500V 1 | T | |
| C27 | 4030012480 | S.CER GRM31M2C2H121JV01L (GRM42-6 CH) | T | 60.6/59.1 |
| C28 | 4010007510 | CER HM17SJ SL 821J 500V 1 | T | |
| C29 | 4010007590 | CER HM15SJ SL 681J 500V 1 | T | |
| C30 | 4010007510 | CER HM17SJ SL 821J 500V 1 | T | |
| C31 | 4010007510 | CER HM17SJ SL 821J 500V 1 | T | |
| C32 | 4010007590 | CER HM15SJ SL 681J 500V 1 | T | |
| C33 | 4030006880 | S.CER C1608 JB 1H 472K-T | T | 88.6/55.3 |
| C34 | 4010005930 | CER HM11SJ SL 391J 500V 1 | T | |
| C35 | 4030012480 | S.CER GRM31M2C2H121JV01L (GRM42-6 CH) | T | 41.4/47.8 |
| C36 | 4010007510 | CER HM17SJ SL 821J 500V 1 | T | |
| C37 | 4030011730 | S.CER GRM31M2C2H101JV01L (GRM42-6 CH) | T | 27.2/50 |
| C38 | 4030011550 | S.CER GRM31M2C2H680JV01L (GRM42-6 CH) | T | 25.1/50 |
| C41 | 4030008920 | S.CER C1608 JB 1H 473K-T | T | 4.6/17.3 |
| C42 | 4030008920 | S.CER C1608 JB 1H 473K-T | T | 87.3/16 |
| C44 | 4010005360 | CER HM11SJ SL 301J 500V 1 | T | |
| C45 | 4010005360 | CER HM11SJ SL 301J 500V 1 | T | |
| C46 | 4010005930 | CER HM11SJ SL 391J 500V 1 | T | |
| C47 | 4010005370 | CER HM11SJ SL 331J 500V 1 | T | |
| C48 | 4030011730 | S.CER GRM31M2C2H101JV01L (GRM42-6 CH) | T | 57.8/8.1 |
| C49 | 4010005850 | CER HM95SJ SL 181J 500V 1 | T | |
| C50 | 4010005930 | CER HM11SJ SL 391J 500V 1 | T | |
| C51 | 4030011240 | S.CER GRM31M2C2H470JV01L (GRM42-6 CH) | T | 71.3/6.8 |
| C52 | 4010005370 | CER HM11SJ SL 331J 500V 1 | T | |
| C53 | 4010005370 | CER HM11SJ SL 331J 500V 1 | T | |
| C54 | 4030006880 | S.CER C1608 JB 1H 472K-T | T | 88.6/19.3 |
| C56 | 4030011180 | S.CER GRM31M2C2H220JV01L (GRM42-6 CH) | T | 41.2/5.3 |
| C61 | 4030008920 | S.CER C1608 JB 1H 473K-T | T | 2.5/29.8 |
| C62 | 4030008920 | S.CER C1608 JB 1H 473K-T | T | 87.3/26.5 |
| C63 | 4010005930 | CER HM11SJ SL 391J 500V 1 | T | |
| C65 | 4030011730 | S.CER GRM31M2C2H101JV01L (GRM42-6 CH) | T | 15.8/21.1 |
| C66 | 4030011550 | S.CER GRM31M2C2H680JV01L (GRM42-6 CH) | T | 17.9/21.1 |
| C67 | 4010007490 | CER HM15SJ SL 561J 500V 1 | T | |

[FILTER BOARD]

| REF NO. | PARTS NO. | DESCRIPTION | M. | H/V LOCATION |
|---------|------------|--|----|--------------|
| C68 | 4030012480 | S.CER GRM31M2C2H121JV01L (GRM42-6 CH) | T | 33/23.2 |
| C69 | 4030012480 | S.CER GRM31M2C2H121JV01L (GRM42-6 CH) | T | 35.1/20.5 |
| C70 | 4010007590 | CER HM15SJ SL 681J 500V 1 | T | |
| C71 | 4030011730 | S.CER GRM31M2C2H101JV01L (GRM42-6 CH) | T | 56.1/23.9 |
| C72 | 4030006880 | S.CER C1608 JB 1H 472K-T | T | 88.6/29.8 |
| C74 | 4030011230 | S.CER GRM31M2C2H390JV01L (GRM42-6 CH) | T | 56.8/18.7 |
| C76 | 4030011180 | S.CER GRM31M2C2H220JV01L (GRM42-6 CH) | T | 71/23.3 |
| C77 | 4010005880 | CER HM95SJ SL 271J 500V 1 | T | |
| C81 | 4030008920 | S.CER C1608 JB 1H 473K-T | T | 3.6/76.4 |
| C82 | 4030008920 | S.CER C1608 JB 1H 473K-T | T | 87.3/77.4 |
| C83 | 4010005860 | CER HM95SJ SL 201J 500V 1 | T | |
| C84 | 4030011730 | S.CER GRM31M2C2H101JV01L (GRM42-6 CH) | T | 30.2/78.3 |
| C85 | 4030014460 | S.CER GRM31M2C2H820JV01L (GRM42-6 CH) | T | 50.8/74.7 |
| C86 | 4010005830 | CER HM74SJ SL 151J 500V 1 | T | |
| C87 | 4030011210 | S.CER GRM31M2C2H330JV01L (GRM42-6 CH) | T | 52.9/79.6 |
| C88 | 4030014460 | S.CER GRM31M2C2H820JV01L (GRM42-6 CH) | T | 72.1/73.6 |
| C89 | 4030006880 | S.CER C1608 JB 1H 472K-T | T | 88.6/80.7 |
| C90 | 4030011080 | S.CER GRM31M2C2H680VDV01L (GRM42-6 CH) | T | 31.9/76.1 |
| C92 | 4030011230 | S.CER GRM31M2C2H390JV01L (GRM42-6 CH) | T | 50.8/79.6 |
| C101 | 4030006880 | S.CER C1608 JB 1H 472K-T | T | 10.1/83.7 |
| C102 | 4030006880 | S.CER C1608 JB 1H 472K-T | T | 73.5/83.6 |
| C103 | 4030011730 | S.CER GRM31M2C2H101JV01L (GRM42-6 CH) | T | 26.1/91.3 |
| C104 | 4030011510 | S.CER GRM31M2C2H560JV01L (GRM42-6 CH) | T | 31.8/91.3 |
| C105 | 4030012480 | S.CER GRM31M2C2H121JV01L (GRM42-6 CH) | T | 50.7/88.2 |
| C106 | 4030011170 | S.CER GRM31M2C2H180JV01L (GRM42-6 CH) | T | 50.7/93.1 |
| C107 | 4030011730 | S.CER GRM31M2C2H101JV01L (GRM42-6 CH) | T | 64.3/87.9 |
| C108 | 4030006880 | S.CER C1608 JB 1H 472K-T | T | 76.6/85.7 |
| C109 | 4030012480 | S.CER GRM31M2C2H121JV01L (GRM42-6 CH) | T | 48.4/88.2 |
| C110 | 4030011170 | S.CER GRM31M2C2H180JV01L (GRM42-6 CH) | T | 24/91.3 |
| C111 | 4030011140 | S.CER GRM31M2C2H120JV01L (GRM42-6 CH) | T | 29.7/88.2 |
| C121 | 4030006880 | S.CER C1608 JB 1H 472K-T | T | 11.7/65.8 |
| C122 | 4030006880 | S.CER C1608 JB 1H 472K-T | T | 86.4/62.9 |
| C123 | 4030011100 | S.CER GRM31M2C2H880VDV01L (GRM42-6 CH) | T | 67.5/62.2 |
| C124 | 4030011140 | S.CER GRM31M2C2H120JV01L (GRM42-6 CH) | T | 45.1/72.2 |
| C126 | 4030011210 | S.CER GRM31M2C2H330JV01L (GRM42-6 CH) | T | 67.5/68.1 |
| C127 | 4030011550 | S.CER GRM31M2C2H680JV01L (GRM42-6 CH) | T | 69.8/64.4 |
| C128 | 4030011180 | S.CER GRM31M2C2H220JV01L (GRM42-6 CH) | T | 33.9/66.2 |
| C129 | 4030006880 | S.CER C1608 JB 1H 472K-T | T | 88.6/65.5 |
| C130 | 4030011510 | S.CER GRM31M2C2H560JV01L (GRM42-6 CH) | T | 31.8/66.2 |
| C132 | 4030011730 | S.CER GRM31M2C2H101JV01L (GRM42-6 CH) | T | 50.2/68.7 |
| C133 | 4030011730 | S.CER GRM31M2C2H101JV01L (GRM42-6 CH) | T | 52.3/68.7 |
| C136 | 4030011140 | S.CER GRM31M2C2H120JV01L (GRM42-6 CH) | T | |
| C142 | 4030011050 | S.CER GRM31M3C2H380CY21L (GRM42-6 CJ) | T | |
| C143 | 4030011240 | S.CER GRM31M2C2H470JV01L (GRM42-6 CH) | T | 28.7/30.1 |
| C145 | 4030011080 | S.CER GRM31M2C2H680VDV01L (GRM42-6 CH) | T | 25.2/31.6 |
| C146 | 4030011230 | S.CER GRM31M2C2H390JV01L (GRM42-6 CH) | T | 30.8/30.1 |
| C147 | 4030011180 | S.CER GRM31M2C2H220JV01L (GRM42-6 CH) | T | 37.4/38.2 |
| C148 | 4030011510 | S.CER GRM31M2C2H560JV01L (GRM42-6 CH) | T | 56.1/28.8 |
| C149 | 4030011140 | S.CER GRM31M2C2H120JV01L (GRM42-6 CH) | T | 66.4/35.5 |
| C150 | 4030011210 | S.CER GRM31M2C2H330JV01L (GRM42-6 CH) | T | 54/28.8 |
| C151 | 4030011180 | S.CER GRM31M2C2H220JV01L (GRM42-6 CH) | T | 71.9/35.5 |
| C152 | 4030011080 | S.CER GRM31M2C2H680VDV01L (GRM42-6 CH) | T | 74/35.5 |
| C153 | 4030011160 | S.CER GRM31M2C2H150JV01L (GRM42-6 CH) | T | 18/34.9 |
| C154 | 4030011060 | S.CER GRM31M2C2H480CY21L (GRM42-6 CH) | T | 68.5/35.5 |
| C156 | 4030006880 | S.CER C1608 JB 1H 472K-T | T | 87.3/40.1 |
| C157 | 4030006880 | S.CER C1608 JB 1H 472K-T | T | 4/47.4 |
| C158 | 4030006880 | S.CER C1608 JB 1H 472K-T | T | 86.5/45.6 |
| C159 | 4030006860 | S.CER C1608 JB 1H 102K-T | T | 79/94.4 |
| C160 | 4030006860 | S.CER C1608 JB 1H 102K-T | T | 82.6/94.4 |
| C161 | 4030006860 | S.CER C1608 JB 1H 102K-T | T | 81.4/94.4 |
| C162 | 4030006860 | S.CER C1608 JB 1H 102K-T | T | 76.6/94.4 |
| C163 | 4030006860 | S.CER C1608 JB 1H 102K-T | T | 75.3/94.4 |
| C164 | 4030006860 | S.CER C1608 JB 1H 102K-T | T | 77.8/94.4 |
| C165 | 4030006860 | S.CER C1608 JB 1H 102K-T | T | 80.2/94.4 |

M.=Mounted side (T: Mounted on the Top side, B: Mounted on the Bottom side) S.=Surface mount

[FILTER BOARD]

| REF NO. | PARTS NO. | DESCRIPTION | M. | H/V LOCATION |
|---------|------------|--------------------------|----|--------------|
| C166 | 4030006860 | S.CER C1608 JB 1H 102K-T | T | 86.5/86.7 |
| C167 | 4030006880 | S.CER C1608 JB 1H 472K-T | T | 4/52.2 |
| RL21 | 6330001721 | REL ATN207-K1 | | |
| RL22 | 6330001721 | REL ATN207-K1 | | |
| RL41 | 6330001721 | REL ATN207-K1 | | |
| RL42 | 6330001721 | REL ATN207-K1 | | |
| RL61 | 6330001721 | REL ATN207-K1 | | |
| RL62 | 6330001721 | REL ATN207-K1 | | |
| RL81 | 6330001721 | REL ATN207-K1 | | |
| RL82 | 6330001721 | REL ATN207-K1 | | |
| RL101 | 6330001721 | REL ATN207-K1 | | |
| RL102 | 6330001721 | REL ATN207-K1 | | |
| RL121 | 6330001721 | REL ATN207-K1 | | |
| RL122 | 6330001721 | REL ATN207-K1 | | |
| RL141 | 6330001721 | REL ATN207-K1 | | |
| RL142 | 6330001721 | REL ATN207-K1 | | |
| J9 | 6510007020 | CON TMP-J01X-V6 | | |
| J10 | 6510007020 | CON TMP-J01X-V6 | | |
| J11 | 6510019971 | S.CON 52808-1071 | T | 80.5/89.2 |

[LOGIC UNIT]

| REF NO. | PARTS NO. | DESCRIPTION | M. | H/V LOCATION |
|---------|------------|------------------------------|----------|--------------|
| IC1 | 1140014972 | S.IC M30620FCPGP(SX-3015A-2) | B | 61.6/48.2 |
| IC2 | 1130012430 | S.IC S-24CS64A0I-T8T1G | B | 97.2/33.1 |
| IC3 | 1110006260 | S.IC BD5242G-TR | B | 10.3/64.3 |
| IC5 | 1180000421 | S.IC TA78L05F(TE12R,F) | B | 50/13.3 |
| IC6 | 1180001071 | S.IC TA7805F(TE16L,Q) | B | 171.5/48.1 |
| IC7 | 1130013580 | S.IC LC75813T-E | B | 97.5/50.5 |
| IC100 | 1180002080 | S.REG BA09FP-E2 | B | 161.2/62.7 |
| IC101 | 1180001071 | S.IC TA7805F(TE16L,Q) | B | 130.6/59.3 |
| IC103 | 1130005721 | S.IC TC7W04F(TE12L,F) | T | 69.9/25.2 |
| IC1071 | 1110001811 | S.IC TA7368FG(5,ER) | T | 130/5.9 |
| Q1 | 1590000680 | S.TRA DTC114EUA T106 | B | 174.6/16 |
| Q51 | 1560001290 | S.FET 2SK3065 T100 | B | 71.2/5.7 |
| Q70 | 1540000441 | S.TRA 2SD1619T-TD-E | B | 151.7/41.7 |
| Q71 | 1590000680 | S.TRA DTC114EUA T106 | B | 158.8/43.9 |
| Q72 | 1590000680 | S.TRA DTC114EUA T106 | B | 158.8/41.4 |
| Q102 | 1590001650 | S.TRA XP4601(TX) | T | 71.1/19.5 |
| Q103 | 1590000680 | S.TRA DTC114EUA T106 | T | 41.7/32 |
| Q104 | 1590000680 | S.TRA DTC114EUA T106 | T | 36.6/25.9 |
| Q106 | 1590001330 | S.TRA DTA114EUA T106 | T | 33.6/35.1 |
| Q211 | 1530002060 | S.TRA 2SC4081 T106 R | B | 19.1/36 |
| Q212 | 1590001330 | S.TRA DTA114EUA T106 | T | 39.3/26.7 |
| D1 | 1160000070 | S.DIO DAN202K T146 | B | 22/26.3 |
| D2 | 1790001250 | S.DIO MA2S111-(TX) 0 | B | 50.2/34.4 |
| D30 | 1790001250 | S.DIO MA2S111-(TX) 0 | T | 142/55 |
| D31 | 1160000070 | S.DIO DAN202K T146 | T | 160.2/55.2 |
| D32 | 1790001250 | S.DIO MA2S111-(TX) 0 | T | 142/51 |
| D33 | 1160000070 | S.DIO DAN202K T146 | T | 160.2/46.2 |
| D34 | 1790001250 | S.DIO MA2S111-(TX) 0 | T | 142/37 |
| D35 | 1160000070 | S.DIO DAN202K T146 | T | 160.2/37.2 |
| D36 | 1790001250 | S.DIO MA2S111-(TX) 0 | T | 142/28 |
| D37 | 1160000070 | S.DIO DAN202K T146 | T | 160.2/28.2 |
| D38 | 1790001250 | S.DIO MA2S111-(TX) 0 | T | 141/64.2 |
| D39 | 1160000070 | S.DIO DAN202K T146 | T | 154.5/64.4 |
| D40 | 1790001250 | S.DIO MA2S111-(TX) 0 | T | 142.1/17.3 |
| D41 | 1790001250 | S.DIO MA2S111-(TX) 0 | T | 143.4/17.3 |
| D42 | 1160000070 | S.DIO DAN202K T146 | T | 79.2/23.2 |
| D43 | 1790001250 | S.DIO MA2S111-(TX) 0 | T | 82.7/13.4 |
| D44 | 1790001250 | S.DIO MA2S111-(TX) 0 | T | 76.2/22.8 |
| D45 | 1790001250 | S.DIO MA2S111-(TX) 0 | B | 45.7/29.3 |
| D46 | 1730002531 | S.ZEN NNCD6.2G-T1-A | B | 139.3/21 |
| D47 | 1790001250 | S.DIO MA2S111-(TX) 0 | B | 31.8/33.9 |
| D48 | 1790001250 | S.DIO MA2S111-(TX) 0 | B | 123.6/33.2 |
| | 1790001250 | S.DIO MA2S111-(TX) 0 | [EUR] | |
| | 1790001250 | S.DIO MA2S111-(TX) 0 | [ITR] | |
| | 1790001250 | S.DIO MA2S111-(TX) 0 | [ESP] | |
| | 1790001250 | S.DIO MA2S111-(TX) 0 | [EUR-01] | |
| D49 | 1790001250 | S.DIO MA2S111-(TX) 0 | [USA] | B 123.6/31.9 |
| | 1790001250 | S.DIO MA2S111-(TX) 0 | [EUR] | |
| | 1790001250 | S.DIO MA2S111-(TX) 0 | [ITR] | |
| | 1790001250 | S.DIO MA2S111-(TX) 0 | [ESP] | |
| | 1790001250 | S.DIO MA2S111-(TX) 0 | [EUR-01] | |
| | 1790001250 | S.DIO MA2S111-(TX) 0 | [KOR] | |
| | 1790001250 | S.DIO MA2S111-(TX) 0 | [CHN] | |
| | 1790001250 | S.DIO MA2S111-(TX) 0 | [EXP] | |
| D50 | 1790001250 | S.DIO MA2S111-(TX) 0 | [USA] | B 123.6/30.6 |
| | 1790001250 | S.DIO MA2S111-(TX) 0 | [EUR] | |
| | 1790001250 | S.DIO MA2S111-(TX) 0 | [EUR-01] | |
| | 1790001250 | S.DIO MA2S111-(TX) 0 | [CHN] | |
| | 1790001250 | S.DIO MA2S111-(TX) 0 | [EXP] | |
| D51 | 1790001250 | S.DIO MA2S111-(TX) 0 | [FRA] | B 123.6/29.3 |
| | 1790001250 | S.DIO MA2S111-(TX) 0 | [ESP] | |
| | 1790001250 | S.DIO MA2S111-(TX) 0 | [EUR-01] | |
| | 1790001250 | S.DIO MA2S111-(TX) 0 | [KOR] | |
| D52 | 1790001250 | S.DIO MA2S111-(TX) 0 | [EUR] | B 123.6/28 |
| | 1790001250 | S.DIO MA2S111-(TX) 0 | [ITR] | |
| | 1790001250 | S.DIO MA2S111-(TX) 0 | [ESP] | |
| | 1790001250 | S.DIO MA2S111-(TX) 0 | [EUR-01] | |
| D53 | 1790001250 | S.DIO MA2S111-(TX) 0 | [USA] | B 123.6/26.7 |
| | 1790001250 | S.DIO MA2S111-(TX) 0 | [EUR] | |
| | 1790001250 | S.DIO MA2S111-(TX) 0 | [ITR] | |
| | 1790001250 | S.DIO MA2S111-(TX) 0 | [ESP] | |
| | 1790001250 | S.DIO MA2S111-(TX) 0 | [EUR-01] | |
| | 1790001250 | S.DIO MA2S111-(TX) 0 | [KOR] | |
| | 1790001250 | S.DIO MA2S111-(TX) 0 | [CHN] | |
| | 1790001250 | S.DIO MA2S111-(TX) 0 | [EXP] | |
| D54 | 1790001250 | S.DIO MA2S111-(TX) 0 | [USA] | B 123.6/25.4 |
| | 1790001250 | S.DIO MA2S111-(TX) 0 | [EUR] | |
| | 1790001250 | S.DIO MA2S111-(TX) 0 | [EUR-01] | |
| | 1790001250 | S.DIO MA2S111-(TX) 0 | [CHN] | |
| | 1790001250 | S.DIO MA2S111-(TX) 0 | [EXP] | |
| D55 | 1790001250 | S.DIO MA2S111-(TX) 0 | [FRA] | B 123.6/24.1 |
| | 1790001250 | S.DIO MA2S111-(TX) 0 | [ESP] | |
| | 1790001250 | S.DIO MA2S111-(TX) 0 | [EUR-01] | |
| | 1790001250 | S.DIO MA2S111-(TX) 0 | [KOR] | |
| D56 | 1160000070 | S.DIO DAN202K T146 | B | 22/32.4 |
| D57 | 1790001250 | S.DIO MA2S111-(TX) 0 | B | 119.3/31.8 |
| | 1790001250 | S.DIO MA2S111-(TX) 0 | [USA] | |
| | 1790001250 | S.DIO MA2S111-(TX) 0 | [EUR] | |
| | 1790001250 | S.DIO MA2S111-(TX) 0 | [FRA] | |
| | 1790001250 | S.DIO MA2S111-(TX) 0 | [EUR-01] | |
| | 1790001250 | S.DIO MA2S111-(TX) 0 | [KOR] | |
| | 1790001250 | S.DIO MA2S111-(TX) 0 | [CHN] | |
| | 1790001250 | S.DIO MA2S111-(TX) 0 | [EXP] | |
| D58 | 1790001250 | S.DIO MA2S111-(TX) 0 | B | 119.2/30.6 |
| D59 | 1790001250 | S.DIO MA2S111-(TX) 0 | B | 119.2/29.3 |
| D61 | 1790001250 | S.DIO MA2S111-(TX) 0 | B | 119.2/26.7 |
| D62 | 1790001250 | S.DIO MA2S111-(TX) 0 | B | 119.2/25.4 |

M.=Mounted side (T: Mounted on the Top side, B: Mounted on the Bottom side)
S.=Surface mount

[LOGIC UNIT]

| REF NO. | PARTS NO. | DESCRIPTION | M. | H/V LOCATION | |
|---------|------------|----------------------------------|----------------------|--------------|------------|
| D63 | 1790001250 | S.DIO MA2S111-(TX) 0 [USA] | B | 119.2/24.1 | |
| | 1790001250 | S.DIO MA2S111-(TX) 0 [EUR] | | | |
| | 1790001250 | S.DIO MA2S111-(TX) 0 [ITR] | | | |
| | 1790001250 | S.DIO MA2S111-(TX) 0 [ESP] | | | |
| | 1790001250 | S.DIO MA2S111-(TX) 0 [EUR-01] | | | |
| | 1790001250 | S.DIO MA2S111-(TX) 0 [KOR] | | | |
| | 1790001250 | S.DIO MA2S111-(TX) 0 [CHN] | | | |
| | 1790001250 | S.DIO MA2S111-(TX) 0 [EXP] | | | |
| | D64 | 1790001250 | S.DIO MA2S111-(TX) 0 | B | 116.6/24.1 |
| | D80 | 1730002320 | S.ZEN MA8051-M(TX) 0 | B | 159.3/38.6 |
| | D81 | 1790001250 | S.DIO MA2S111-(TX) 0 | B | 157.7/39 |
| D102 | 1790001250 | S.DIO MA2S111-(TX) 0 | T | 73/18.1 | |
| D104 | 1750000370 | S.DIO DA221 TL | T | 33.4/27.3 | |
| D120 | 1750000370 | S.DIO DA221 TL | T | 35.8/43.9 | |
| D121 | 1750000370 | S.DIO DA221 TL | T | 35.8/45.9 | |
| D122 | 1750000370 | S.DIO DA221 TL | T | 35.3/38.6 | |
| D123 | 1750000370 | S.DIO DA221 TL | T | 35.8/41.9 | |
| D124 | 1750000370 | S.DIO DA221 TL | T | 35.6/29.5 | |
| D125 | 1750000370 | S.DIO DA221 TL | T | 38.5/34.7 | |
| D126 | 1750000370 | S.DIO DA221 TL | B | 30.2/31.5 | |
| D180 | 1750000370 | S.DIO DA221 TL | T | 37.8/29.9 | |
| D194 | 1750000370 | S.DIO DA221 TL | B | 27.2/32.6 | |
| D211 | 1790001250 | S.DIO MA2S111-(TX) 0 | B | 21.7/38.5 | |
| X1 | 6050010501 | S.XTA CR-636A SMD-49 14.7456 MHz | B | 64.6/62.4 | |
| L1 | 6200003261 | S.COI NLV32T-101J | B | 45.9/33 | |
| L2 | 6200003261 | S.COI NLV32T-101J | B | 80.8/45.9 | |
| L3 | 6200002041 | S.COI NLV25T-101J | B | 69.6/36.3 | |
| L40 | 6200003261 | S.COI NLV32T-101J | B | 136.8/17.4 | |
| L41 | 6200002041 | S.COI NLV25T-101J | B | 56.2/5.7 | |
| L42 | 6200002041 | S.COI NLV25T-101J | B | 56.2/3.2 | |
| L70 | 6200003261 | S.COI NLV32T-101J | T | 30.1/35.7 | |
| L100 | 6200003261 | S.COI NLV32T-101J | T | 67.8/29.5 | |
| L105 | 6200003261 | S.COI NLV32T-101J | B | 160.8/27.6 | |
| L1073 | 6200003261 | S.COI NLV32T-101J | B | 123.7/36.5 | |
| R1 | 7030003860 | S.RES ERJ3GE JPW V | B | 86.9/48.9 | |
| R2 | 7030003630 | S.RES ERJ3GEYJ 393 V (39K) | B | 86.9/51.5 | |
| R3 | 7030003630 | S.RES ERJ3GEYJ 393 V (39K) | B | 86.9/54.2 | |
| R4 | 7030003630 | S.RES ERJ3GEYJ 393 V (39K) | B | 85.1/54.7 | |
| R5 | 7030005671 | S.RES ERA3YKD 393V (39K) | B | 85.2/58.8 | |
| R6 | 7030003680 | S.RES ERJ3GEYJ 104 V (100K) | B | 85.2/60.1 | |
| R7 | 7030003440 | S.RES ERJ3GEYJ 102 V (1K) | B | 170.4/16.2 | |
| R18 | 7030006220 | S.RES ERJ12YJ470U (47) | B | 45.7/13.5 | |
| R19 | 7030010250 | S.RES ERJ1TYJ 0R00U | B | 159.8/49.9 | |
| R20 | 7030003640 | S.RES ERJ3GEYJ 473 V (47K) | B | 17.9/63.9 | |
| R21 | 7030003630 | S.RES ERJ3GEYJ 393 V (39K) | B | 13.9/63.5 | |
| R22 | 7030003560 | S.RES ERJ3GEYJ 103 V (10K) | B | 13.9/65.4 | |
| R24 | 7030003560 | S.RES ERJ3GEYJ 103 V (10K) | B | 96.4/29.3 | |
| R25 | 7030003600 | S.RES ERJ3GEYJ 223 V (22K) | B | 96.4/30.6 | |
| R31 | 7030003640 | S.RES ERJ3GEYJ 473 V (47K) | B | 50.2/33.1 | |
| R36 | 7030003640 | S.RES ERJ3GEYJ 473 V (47K) | T | 143.3/55 | |
| R37 | 7030003640 | S.RES ERJ3GEYJ 473 V (47K) | T | 143.3/51.1 | |
| R38 | 7030003640 | S.RES ERJ3GEYJ 473 V (47K) | T | 143.3/37 | |
| R39 | 7030003640 | S.RES ERJ3GEYJ 473 V (47K) | T | 143.3/28 | |
| R40 | 7030003640 | S.RES ERJ3GEYJ 473 V (47K) | T | 142.3/64.3 | |
| R41 | 7030003640 | S.RES ERJ3GEYJ 473 V (47K) | T | 144.7/17.3 | |
| R42 | 7030003640 | S.RES ERJ3GEYJ 473 V (47K) | T | 81.2/21.5 | |
| R43 | 7030003640 | S.RES ERJ3GEYJ 473 V (47K) | T | 76.3/21.5 | |
| R49 | 7030003720 | S.RES ERJ3GEYJ 224 V (220K) | B | 139.8/18.6 | |
| R51 | 7030003440 | S.RES ERJ3GEYJ 102 V (1K) | B | 21.7/34.7 | |
| R52 | 7030003480 | S.RES ERJ3GEYJ 222 V (2.2K) | B | 21.7/30 | |
| R53 | 7030003480 | S.RES ERJ3GEYJ 222 V (2.2K) | B | 19.1/30 | |
| R54 | 7030003720 | S.RES ERJ3GEYJ 224 V (220K) | B | 142.4/20.7 | |
| R55 | 7030003520 | S.RES ERJ3GEYJ 472 V (4.7K) | B | 19.1/31.3 | |
| R56 | 7030003440 | S.RES ERJ3GEYJ 102 V (1K) | B | 72.2/8.9 | |
| R57 | 7030003560 | S.RES ERJ3GEYJ 103 V (10K) | B | 74.5/6.5 | |
| R59 | 7030003560 | S.RES ERJ3GEYJ 103 V (10K) | T | 41.7/28.1 | |
| R60 | 7030003440 | S.RES ERJ3GEYJ 102 V (1K) | B | 152.8/26.8 | |
| R61 | 7030003440 | S.RES ERJ3GEYJ 102 V (1K) | B | 154.8/26.8 | |
| R62 | 7030003480 | S.RES ERJ3GEYJ 222 V (2.2K) | B | 29.2/33.1 | |
| R63 | 7030003480 | S.RES ERJ3GEYJ 222 V (2.2K) | B | 29.2/34.3 | |
| R64 | 7030003440 | S.RES ERJ3GEYJ 102 V (1K) | B | 156.8/26.8 | |
| R66 | 7030003440 | S.RES ERJ3GEYJ 102 V (1K) | B | 139.8/17.3 | |
| R67 | 7030003440 | S.RES ERJ3GEYJ 102 V (1K) | B | 142.4/22 | |
| R70 | 7030003380 | S.RES ERJ3GEYJ 331 V (330) | B | 155.8/40.9 | |
| R71 | 7030003410 | S.RES ERJ3GEYJ 561 V (560) | B | 155.8/44.8 | |
| R72 | 7030003430 | S.RES ERJ3GEYJ 821 V (820) | B | 155.8/43.5 | |
| R73 | 7030003510 | S.RES ERJ3GEYJ 392 V (3.9K) | B | 155.8/42.2 | |
| R74 | 7030003440 | S.RES ERJ3GEYJ 102 V (1K) | B | 155.8/46.1 | |
| R75 | 7030009800 | S.RES ERJ12YJ121U (120) | B | 142.8/43.9 | |
| R76 | 7030003440 | S.RES ERJ3GEYJ 102 V (1K) | T | 19.2/24.4 | |
| R77 | 7030003440 | S.RES ERJ3GEYJ 102 V (1K) | T | 18.4/26.7 | |
| R78 | 7030003440 | S.RES ERJ3GEYJ 102 V (1K) | T | 18.4/32.6 | |
| R79 | 7030003440 | S.RES ERJ3GEYJ 102 V (1K) | T | 18.4/29.7 | |
| R80 | 7030003420 | S.RES ERJ3GEYJ 681 V (680) | B | 156.4/39 | |
| R81 | 7030009800 | S.RES ERJ12YJ121U (120) | B | 146.5/43.9 | |
| R82 | 7030009800 | S.RES ERJ12YJ121U (120) | B | 139/43.9 | |
| R100 | 7030003680 | S.RES ERJ3GEYJ 104 V (100K) | T | 70.4/29.6 | |
| R101 | 7030003680 | S.RES ERJ3GEYJ 104 V (100K) | T | 71.7/29.6 | |
| R102 | 7030003680 | S.RES ERJ3GEYJ 104 V (100K) | T | 67.9/20.8 | |
| R103 | 7030003590 | S.RES ERJ3GEYJ 183 V (18K) | T | 69.2/20.8 | |
| R104 | 7030003540 | S.RES ERJ3GEYJ 682 V (6.8K) | T | 67.9/18.2 | |
| R105 | 7030003620 | S.RES ERJ3GEYJ 333 V (33K) | T | 70.9/17.3 | |
| R106 | 7030003640 | S.RES ERJ3GEYJ 473 V (47K) | T | 71/21.5 | |
| R107 | 7030003600 | S.RES ERJ3GEYJ 223 V (22K) | B | 7.6/32.7 | |
| R108 | 7030003380 | S.RES ERJ3GEYJ 331 V (330) | T | 33.4/37.5 | |
| R109 | 7030010500 | S.RES ERJ1TYJ 2R2U | B | 155/55.6 | |
| R110 | 7030010250 | S.RES ERJ1TYJ 0R00U | B | 142.5/54.8 | |
| R113 | 7030003860 | S.RES ERJ3GE JPW V | T | 73.2/21.9 | |

[LOGIC UNIT]

| REF NO. | PARTS NO. | DESCRIPTION | M. | H/V LOCATION |
|---------|------------|-----------------------------|----|--------------|
| R114 | 7030003440 | S.RES ERJ3GEYJ 102 V (1K) | T | 33.9/25.6 |
| R115 | 7030003800 | S.RES ERJ3GEYJ 105 V (1M) | T | 31.3/26.4 |
| R126 | 7030003360 | S.RES ERJ3GEYJ 221 V (220) | T | 38.7/42.3 |
| R127 | 7030003360 | S.RES ERJ3GEYJ 221 V (220) | T | 38.7/40.9 |
| R151 | 7030003360 | S.RES ERJ3GEYJ 221 V (220) | T | 41.3/42.4 |
| R152 | 7030003360 | S.RES ERJ3GEYJ 221 V (220) | T | 41.3/41.1 |
| R153 | 7030003640 | S.RES ERJ3GEYJ 473 V (47K) | T | 30/58.9 |
| R154 | 7030003360 | S.RES ERJ3GEYJ 221 V (220) | B | 29.6/29.2 |
| R155 | 7030003360 | S.RES ERJ3GEYJ 221 V (220) | T | 41.3/43.7 |
| R156 | 7030003360 | S.RES ERJ3GEYJ 221 V (220) | T | 41.3/45 |
| R157 | 7030003360 | S.RES ERJ3GEYJ 221 V (220) | T | 33.1/29.5 |
| R158 | 7030003360 | S.RES ERJ3GEYJ 221 V (220) | B | 31/29.2 |
| R159 | 7030003360 | S.RES ERJ3GEYJ 221 V (220) | B | 33.6/29.2 |
| R162 | 7030003640 | S.RES ERJ3GEYJ 473 V (47K) | T | 35.1/56.3 |
| R163 | 7030003440 | S.RES ERJ3GEYJ 102 V (1K) | B | 40/30.2 |
| R169 | 7030003360 | S.RES ERJ3GEYJ 221 V (220) | B | 32.3/29.2 |
| R171 | 7030003360 | S.RES ERJ3GEYJ 221 V (220) | B | 34.3/54.8 |
| R172 | 7030003360 | S.RES ERJ3GEYJ 221 V (220) | B | 36.8/50.7 |
| R173 | 7030006571 | S.RES ERA3YED 392V (3.9K) | T | 39.2/38.9 |
| R174 | 7030006101 | S.RES ERA3YED 183V (18K) | T | 37.4/32.9 |
| R175 | 7030003360 | S.RES ERJ3GEYJ 221 V (220) | T | 28.7/58.9 |
| R176 | 7030003360 | S.RES ERJ3GEYJ 221 V (220) | B | 35.5/50.3 |
| R177 | 7030003360 | S.RES ERJ3GEYJ 221 V (220) | B | 34.2/50.3 |
| R180 | 7030003640 | S.RES ERJ3GEYJ 473 V (47K) | T | 39.4/29.7 |
| R181 | 7030003640 | S.RES ERJ3GEYJ 473 V (47K) | T | 35.5/40.2 |
| R182 | 7030003640 | S.RES ERJ3GEYJ 473 V (47K) | T | 35.2/37 |
| R183 | 7030003440 | S.RES ERJ3GEYJ 102 V (1K) | T | 35.3/31.1 |
| R197 | 7030003480 | S.RES ERJ3GEYJ 222 V (2.2K) | B | 21.7/28.7 |
| R198 | 7030003480 | S.RES ERJ3GEYJ 222 V (2.2K) | B | 19.7/27.9 |
| R199 | 7030003520 | S.RES ERJ3GEYJ 472 V (4.7K) | B | 18.5/26.5 |
| R201 | 7030003440 | S.RES ERJ3GEYJ 102 V (1K) | B | 21.7/24 |
| R202 | 7030003440 | S.RES ERJ3GEYJ 102 V (1K) | B | 52.8/33.1 |
| R203 | 7030003440 | S.RES ERJ3GEYJ 102 V (1K) | B | 56.1/37.2 |
| R204 | 7030003440 | S.RES ERJ3GEYJ 102 V (1K) | B | 57.1/34.6 |
| R205 | 7030003440 | S.RES ERJ3GEYJ 102 V (1K) | B | 57.5/37.2 |
| R206 | 7030003440 | S.RES ERJ3GEYJ 102 V (1K) | B | 58.7/34.6 |
| R207 | 7030003440 | S.RES ERJ3GEYJ 102 V (1K) | B | 60/37.2 |
| R211 | 7030003640 | S.RES ERJ3GEYJ 473 V (47K) | B | 21.7/37.3 |
| R212 | 7030003360 | S.RES ERJ3GEYJ 221 V (220) | B | 32.9/50.2 |
| R213 | 7030003520 | S.RES ERJ3GEYJ 472 V (4.7K) | B | 23.6/36.7 |
| R214 | 7030003620 | S.RES ERJ3GEYJ 333 V (33K) | B | 21.7/36 |
| R215 | 7030003580 | S.RES ERJ3GEYJ 153 V (15K) | B | 19.1/33.9 |
| R216 | 7030003440 | S.RES ERJ3GEYJ 102 V (1K) | B | 76.2/24.1 |
| R217 | 7030003440 | S.RES ERJ3GEYJ 102 V (1K) | T | 83/23.4 |
| R218 | 7030003440 | S.RES ERJ3GEYJ 102 V (1K) | T | 83/24.7 |
| R219 | 7030003440 | S.RES ERJ3GEYJ 102 V (1K) | T | 83/26 |
| R220 | 7030003440 | S.RES ERJ3GEYJ 102 V (1K) | T | 83/27.3 |
| R221 | 7030003440 | S.RES ERJ3GEYJ 102 V (1K) | T | 83/28.6 |
| R227 | 7030003200 | S.RES ERJ3GEYJ 100 V (10) | B | 136.9/21.3 |
| R228 | 7030003360 | S.RES ERJ3GEYJ 221 V (220) | T | 39.7/55.6 |
| R229 | 7030003360 | S.RES ERJ3GEYJ 221 V (220) | T | 32.5/58.9 |
| R230 | 7030003360 | S.RES ERJ3GEYJ 221 V (220) | T | 33.8/58.9 |
| R231 | 7030003360 | S.RES ERJ3GEYJ 221 V (220) | T | 35.1/58.9 |
| R232 | 7030003360 | S.RES ERJ3GEYJ 221 V (220) | T | 36.4/58.9 |
| R233 | 7030003360 | S.RES ERJ3GEYJ 221 V (220) | T | 37.7/58.9 |
| R234 | 7030003360 | S.RES ERJ3GEYJ 221 V (220) | B | 42.6/55.4 |
| R235 | 7030003360 | S.RES ERJ3GEYJ 221 V (220) | T | 38.5/55.6 |
| R236 | 7030003360 | S.RES ERJ3GEYJ 221 V (220) | B | 40/55.4 |
| R237 | 7030003360 | S.RES ERJ3GEYJ 221 V (220) | B | 43.9/55.4 |
| R238 | 7030003360 | S.RES ERJ3GEYJ 221 V (220) | B | 38.7/55.3 |
| R239 | 7030003860 | S.RES ERJ3GE JPW V | T | 38.7/43.5 |
| R301 | 7030003640 | S.RES ERJ3GEYJ 473 V (47K) | B | 75.9/53.4 |
| R302 | 7030003640 | S.RES ERJ3GEYJ 473 V (47K) | B | 81.6/55.7 |
| R303 | 7030003640 | S.RES ERJ3GEYJ 473 V (47K) | B | 81.6/54.4 |
| R304 | 7030003640 | S.RES ERJ3GEYJ 473 V (47K) | B | 74.6/53.4 |
| R305 | 7030003560 | S.RES ERJ3GEYJ 103 V (10K) | B | 72.6/64.1 |
| R306 | 7030003680 | S.RES ERJ3GEYJ 104 V (100K) | B | 75.2/64.1 |
| R307 | 7030003640 | S.RES ERJ3GEYJ 473 V (47K) | B | 73.9/64.1 |
| R1071 | 7030003530 | S.RES ERJ3GEYJ 562 V (5.6K) | T | |

[LOGIC UNIT]

| REF NO. | PARTS NO. | DESCRIPTION | M. | H/V LOCATION |
|---------|------------|-----------------------------|----|--------------|
| C25 | 4030011600 | S.CER C1608 JB 1E 104K-T | B | 61.3/37.2 |
| C26 | 4030017490 | S.CER C1608 JB 1A 105K-T | B | 51.4/52.1 |
| C27 | 4030011600 | S.CER C1608 JB 1E 104K-T | B | 63.6/59.1 |
| C28 | 4030017490 | S.CER C1608 JB 1A 105K-T | B | 51.4/54.7 |
| C44 | 4030006880 | S.CER C1608 JB 1H 472K-T | B | 151.5/26.8 |
| C45 | 4030006880 | S.CER C1608 JB 1H 472K-T | B | 155.5/28.7 |
| C47 | 4030006880 | S.CER C1608 JB 1H 472K-T | B | 66.1/3.3 |
| C49 | 4030006880 | S.CER C1608 JB 1H 472K-T | B | 158.1/28.7 |
| C50 | 4030006880 | S.CER C1608 JB 1H 472K-T | B | 25.6/32.5 |
| C70 | 4030006880 | S.CER C1608 JB 1H 472K-T | T | 15.5/29.6 |
| C71 | 4030006880 | S.CER C1608 JB 1H 472K-T | T | 16.9/33.8 |
| C72 | 4030006880 | S.CER C1608 JB 1H 472K-T | T | 15.5/28.3 |
| C73 | 4030006880 | S.CER C1608 JB 1H 472K-T | T | 15.9/25.7 |
| C74 | 4030017490 | S.CER C1608 JB 1A 105K-T | B | 155.1/39 |
| C101 | 4030011600 | S.CER C1608 JB 1E 104K-T | T | 66.5/26.4 |
| C102 | 4030006880 | S.CER C1608 JB 1H 472K-T | T | 36.5/27.8 |
| C103 | 4030012610 | S.CER C2012 JB 1C 474K-T | T | 66.2/23.4 |
| C104 | 4030011600 | S.CER C1608 JB 1E 104K-T | B | 138/60.8 |
| C105 | 4030011600 | S.CER C1608 JB 1E 104K-T | B | 155.8/61.2 |
| C106 | 4030019490 | S.CER C2012 JB 1A 106K-T | B | 139.7/61.3 |
| C107 | 4030011600 | S.CER C1608 JB 1E 104K-T | B | 155.8/64.2 |
| C108 | 4030019490 | S.CER C2012 JB 1A 106K-T | B | 136.4/54.5 |
| C109 | 4030019490 | S.CER C2012 JB 1A 106K-T | B | 154.1/63.4 |
| C110 | 4030011600 | S.CER C1608 JB 1E 104K-T | B | 138/57.9 |
| C158 | 4030017490 | S.CER C1608 JB 1A 105K-T | B | 39.7/37.4 |
| C170 | 4030006880 | S.CER C1608 JB 1H 472K-T | B | 23.5/23.6 |
| C171 | 4030006880 | S.CER C1608 JB 1H 472K-T | T | 39.2/37.7 |
| C172 | 4030018910 | S.CER C1608 JB 0J 475K-T | T | 38.4/36.4 |
| C211 | 4030006880 | S.CER C1608 JB 1H 472K-T | B | 19.1/32.6 |
| C212 | 4030011600 | S.CER C1608 JB 1E 104K-T | B | 19.1/38.4 |
| C1071 | 4030011600 | S.CER C1608 JB 1E 104K-T | T | 127.8/14.5 |
| C1072 | 4510009700 | S.ELE EEEFK1C101P | B | 128.2/19.3 |
| C1073 | 4510009820 | S.ELE EEEFK1C470P | B | 129.1/5.1 |
| C1074 | 4510009820 | S.ELE EEEFK1C470P | B | 129.1/12.2 |
| J1 | 6510018971 | S.CON B4B-PH-SM4-TB(LF)(SN) | B | 140.7/29.4 |
| J3 | 6510019971 | S.CON 52808-1071 | B | 157.3/22.7 |
| J4 | 6510019971 | S.CON 52808-1071 | B | 61/7.7 |
| J5 | 6510019971 | S.CON 52808-1071 | B | 9.3/29.1 |
| J101 | 6510024151 | S.CON 50FY-BMT-TB(LF)(SN) | B | 39.2/25.8 |
| J102 | 6510024151 | S.CON 50FY-BMT-TB(LF)(SN) | B | 39.2/61 |
| J301 | 6510019971 | S.CON 52808-1071 | B | 77.2/59.4 |
| DS1 | 5030003090 | LCD S11325 <SUC> | | |
| DS2 | 5040002940 | S.LED TLYU1002A(T02) | T | 172.5/14.3 |
| DS70 | 5040002940 | S.LED TLYU1002A(T02) | T | 61.5/49.1 |
| DS71 | 5040002940 | S.LED TLYU1002A(T02) | T | 53/49.1 |
| DS73 | 5040002940 | S.LED TLYU1002A(T02) | T | 53/59.2 |
| DS74 | 5040002940 | S.LED TLYU1002A(T02) | T | 61.5/59.2 |
| DS76 | 5040002940 | S.LED TLYU1002A(T02) | T | 70/59.2 |
| DS77 | 5040002940 | S.LED TLYU1002A(T02) | T | 70/49.1 |
| DS79 | 5040002940 | S.LED TLYU1002A(T02) | T | 78.5/59.2 |
| DS80 | 5040002940 | S.LED TLYU1002A(T02) | T | 78.5/49.1 |
| DS82 | 5040002940 | S.LED TLYU1002A(T02) | T | 87/59.2 |
| DS83 | 5040002940 | S.LED TLYU1002A(T02) | T | 87/49.1 |
| DS85 | 5040002940 | S.LED TLYU1002A(T02) | T | 95.5/59.2 |
| DS86 | 5040002940 | S.LED TLYU1002A(T02) | T | 95.5/49.1 |
| DS88 | 5040002940 | S.LED TLYU1002A(T02) | T | 104/59.2 |
| DS89 | 5040002940 | S.LED TLYU1002A(T02) | T | 104/49.1 |
| EP2 | 8930076650 | LCD SRCN-3015-SP-N-W (SHJ) | | |
| EP4 | 6910012350 | S.BEA MMZ1608Y 102BT | B | 63.8/14.9 |
| EP5 | 6910012350 | S.BEA MMZ1608Y 102BT | T | 12.5/24.8 |
| EP6 | 6910012350 | S.BEA MMZ1608Y 102BT | B | 21.6/21.3 |
| EP45 | 6910012350 | S.BEA MMZ1608Y 102BT | B | 57.3/10.2 |
| EP46 | 6910012350 | S.BEA MMZ1608Y 102BT | B | 57.3/8.2 |
| EP47 | 6910018930 | S.BEA MPZ2012S601A | T | 41.9/23.2 |
| EP48 | 6910018930 | S.BEA MPZ2012S601A | T | 41.9/21.5 |
| EP49 | 6910018930 | S.BEA MPZ2012S601A | B | 41/21.1 |
| EP50 | 6910018930 | S.BEA MPZ2012S601A | B | 45.5/21 |
| EP51 | 6910018930 | S.BEA MPZ2012S601A | B | 65.4/7.4 |
| EP52 | 6910018930 | S.BEA MPZ2012S601A | B | 65.4/11.1 |
| EP53 | 6910018930 | S.BEA MPZ2012S601A | B | 8.8/25.3 |
| EP54 | 6910018930 | S.BEA MPZ2012S601A | B | 66.3/4.9 |
| EP55 | 6910018930 | S.BEA MPZ2012S601A | B | 43/21 |

[VR-A UNIT]

| REF NO. | PARTS NO. | DESCRIPTION | M. | H/V LOCATION |
|---------|------------|---------------------------------|----|--------------|
| R1 | 7210002910 | VAR RV-310(RK0972210 10KB/10KB) | | |
| R2 | 7210002960 | VAR RV-313(RK0972210 10KB/10KB) | | |
| J1 | 6510026670 | S.CON IMSA-6281S-06Y900 | T | 21.6/5.1 |

[VR-B UNIT]

| REF NO. | PARTS NO. | DESCRIPTION | M. | H/V LOCATION |
|---------|------------|------------------------------|----|--------------|
| J1 | 6510020711 | S.CON 52793-1070(1090) | T | 9.2/2.4 |
| S1 | 2250000640 | ENC TP96D96E20-22F-10KB-3015 | | |

[MIC UNIT]

| REF NO. | PARTS NO. | DESCRIPTION | M. | H/V LOCATION |
|---------|------------|--------------------|----|--------------|
| J1 | 6510000191 | CON FM214-8SS(P)-1 | | |
| J2 | 6510019971 | S.CON 52808-1071 | B | 18.1/6.5 |

[PHONE UNIT]

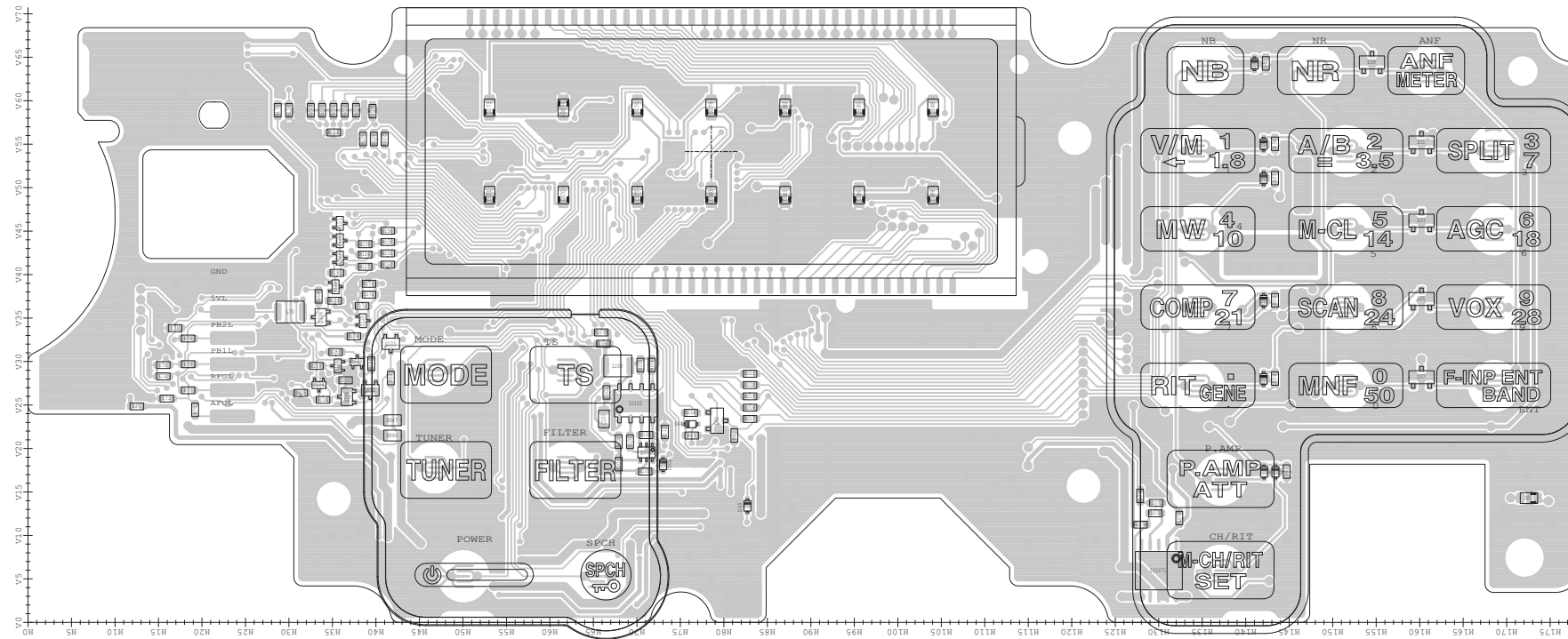
| REF NO. | PARTS NO. | DESCRIPTION | M. | H/V LOCATION |
|---------|------------|---------------------------|----|--------------|
| R1 | 7030006070 | S.RES ERJ12YJ101U (100) | T | 24.6/5 |
| R2 | 7030006070 | S.RES ERJ12YJ101U (100) | T | 24.6/10.1 |
| R3 | 7030003440 | S.RES ERJ3GEYJ 102 V (1K) | T | 23.1/12.6 |
| C1 | 4030006880 | S.CER C1608 JB 1H 472K-T | B | 27.7/9.6 |
| C2 | 4030006880 | S.CER C1608 JB 1H 472K-T | T | 23.1/2.5 |
| C3 | 4030006880 | S.CER C1608 JB 1H 472K-T | T | 23.1/13.9 |
| J1 | 6510023891 | CON S-G4617#01F 0 | | |
| J2 | 6510019971 | S.CON 52808-1071 | B | 26.6/4 |
| EP1 | 6910014690 | S.BEA MPZ1608S221A-T | B | 29.2/8.1 |

M.=Mounted side (T: Mounted on the Top side, B: Mounted on the Bottom side)
S.=Surface mount

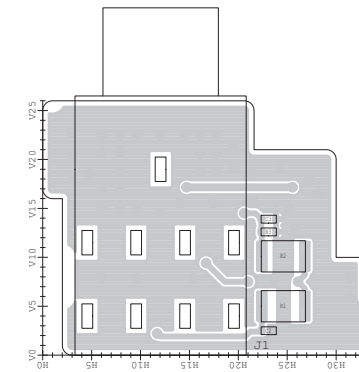
BOARD LAYOUTS

The combination of this side and the bottom side shows the board layout in the same configuration as the actual P.C.Board.

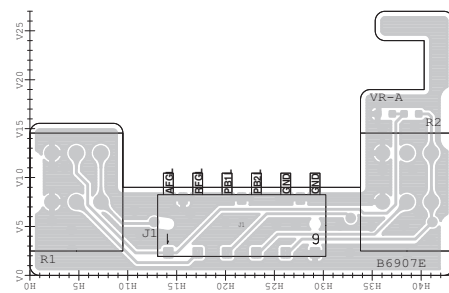
• LOGIC UNIT
(TOP VIEW)



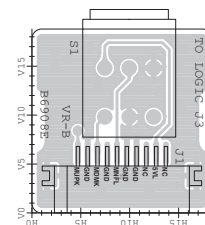
• PHONE UNIT
(TOP VIEW)



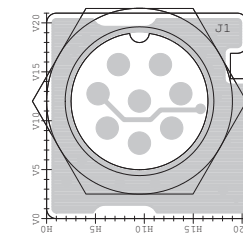
• VR-A UNIT
(TOP VIEW)



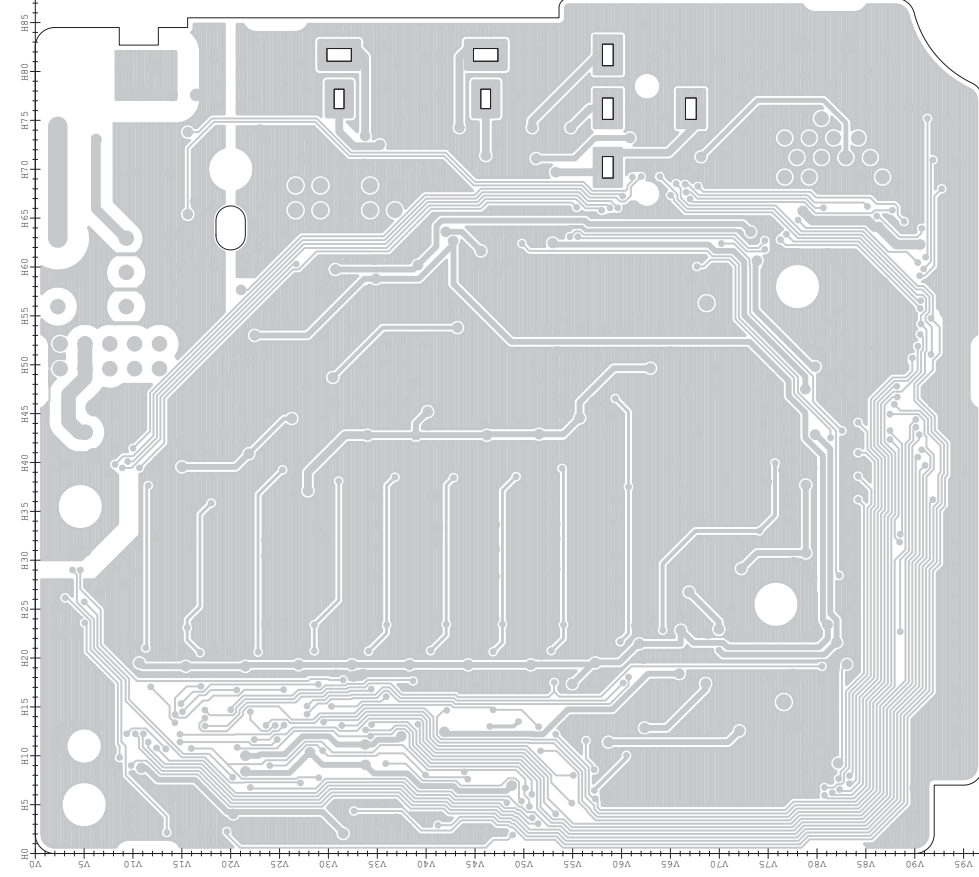
• VR-B UNIT
(TOP VIEW)



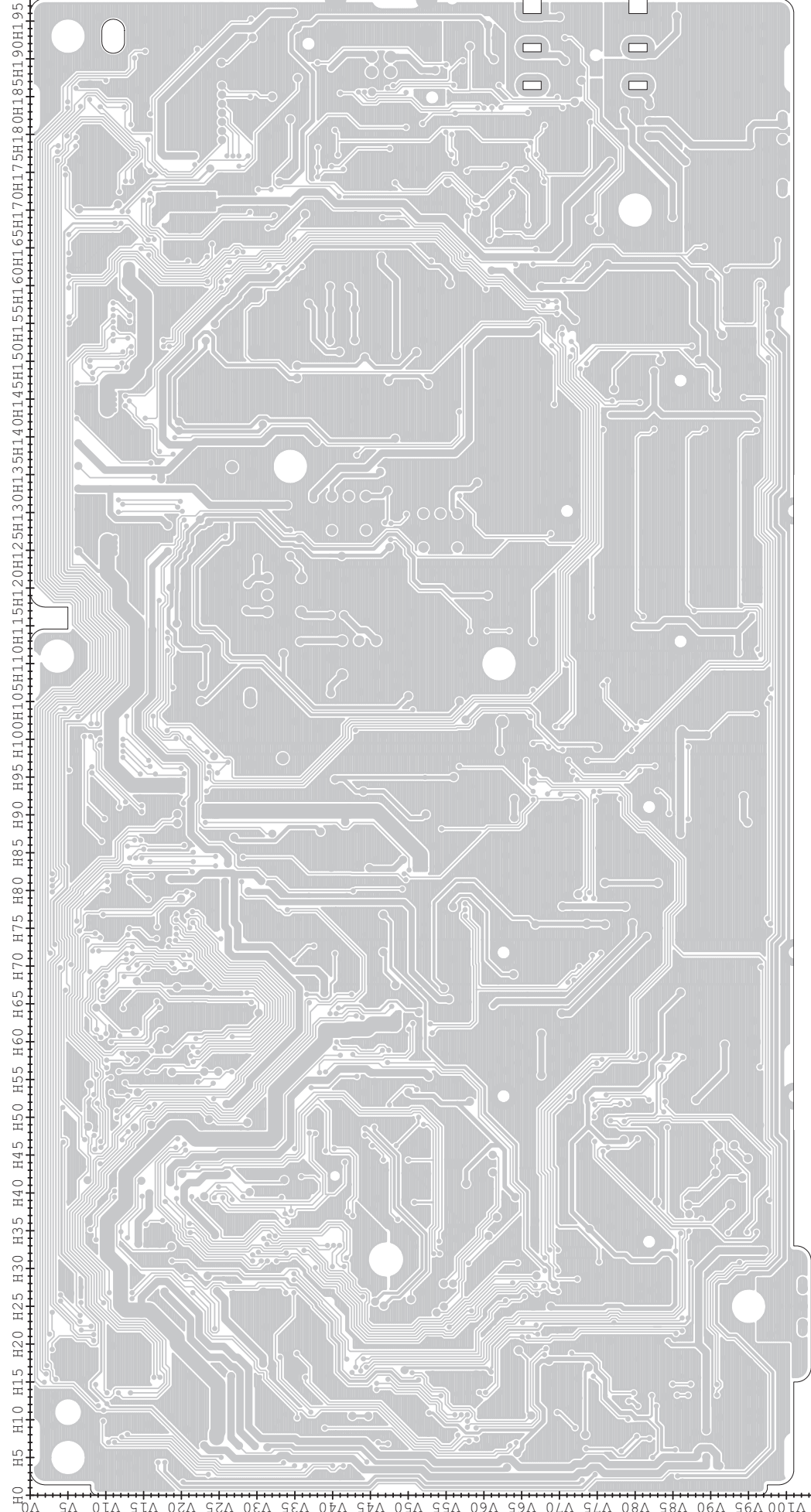
• MIC UNIT
(TOP VIEW)



• RF UNIT
(TOP VIEW)

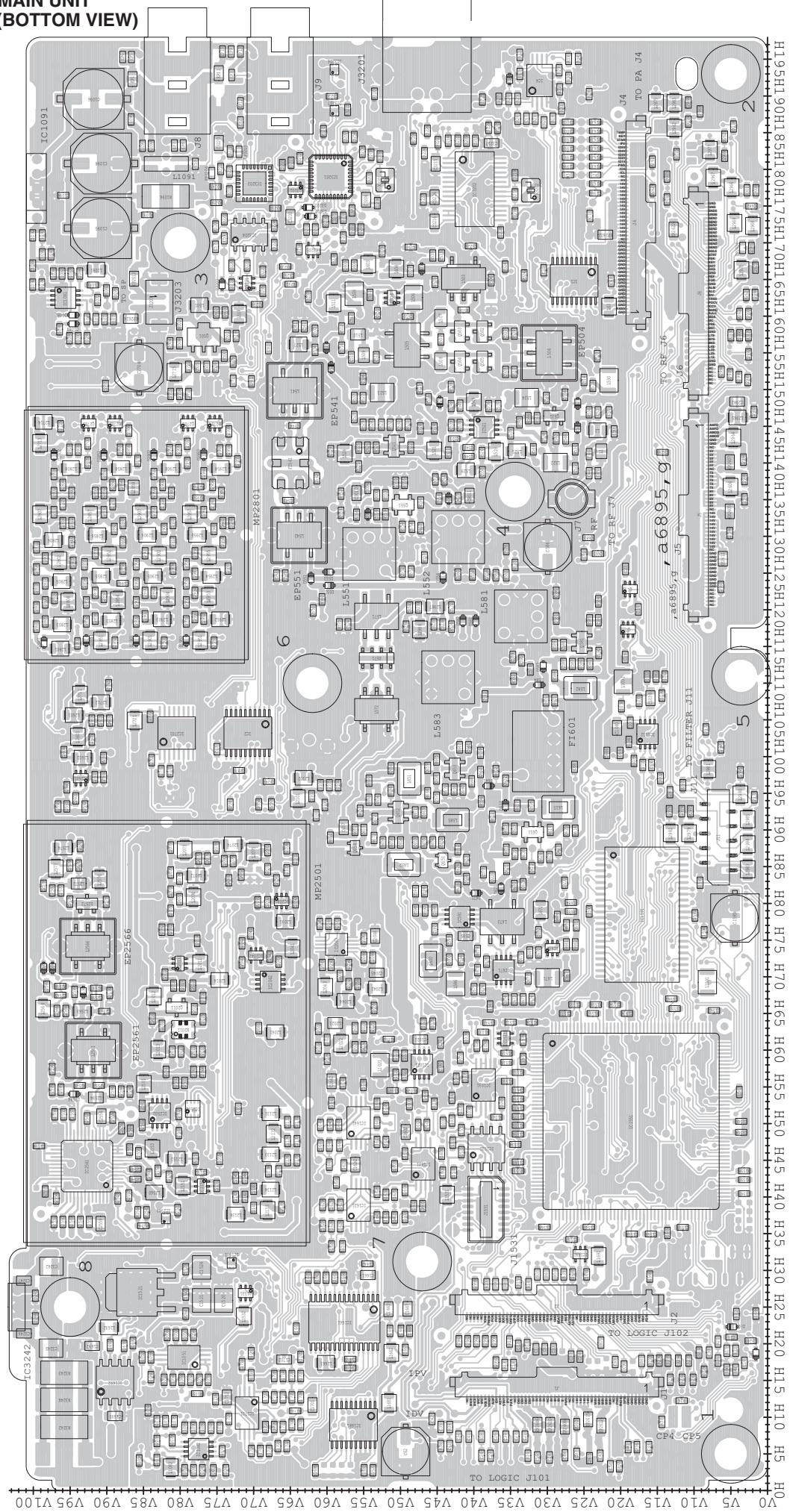


• MAIN UNIT
(TOP VIEW)



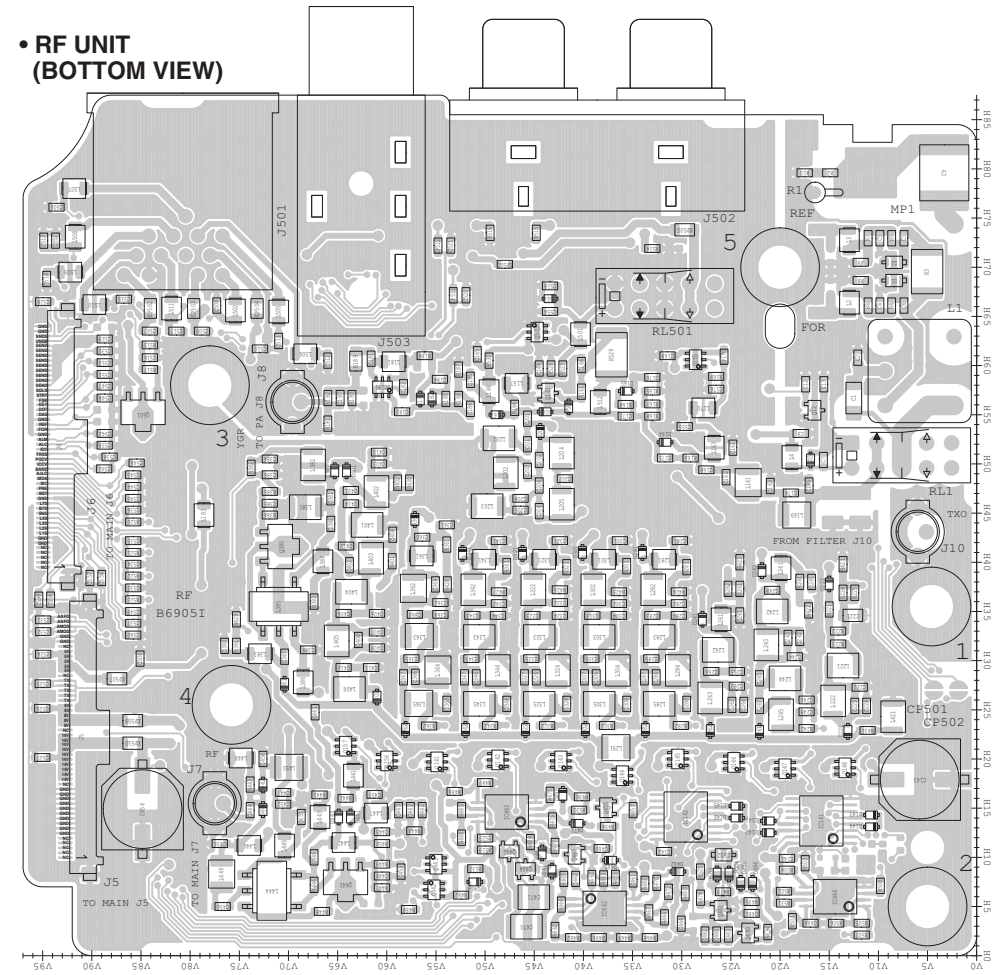
The combination of this side and the bottom side shows the board layout in the same configuration as the actual P.C.Board.

• MAIN UNIT
(BOTTOM VIEW)



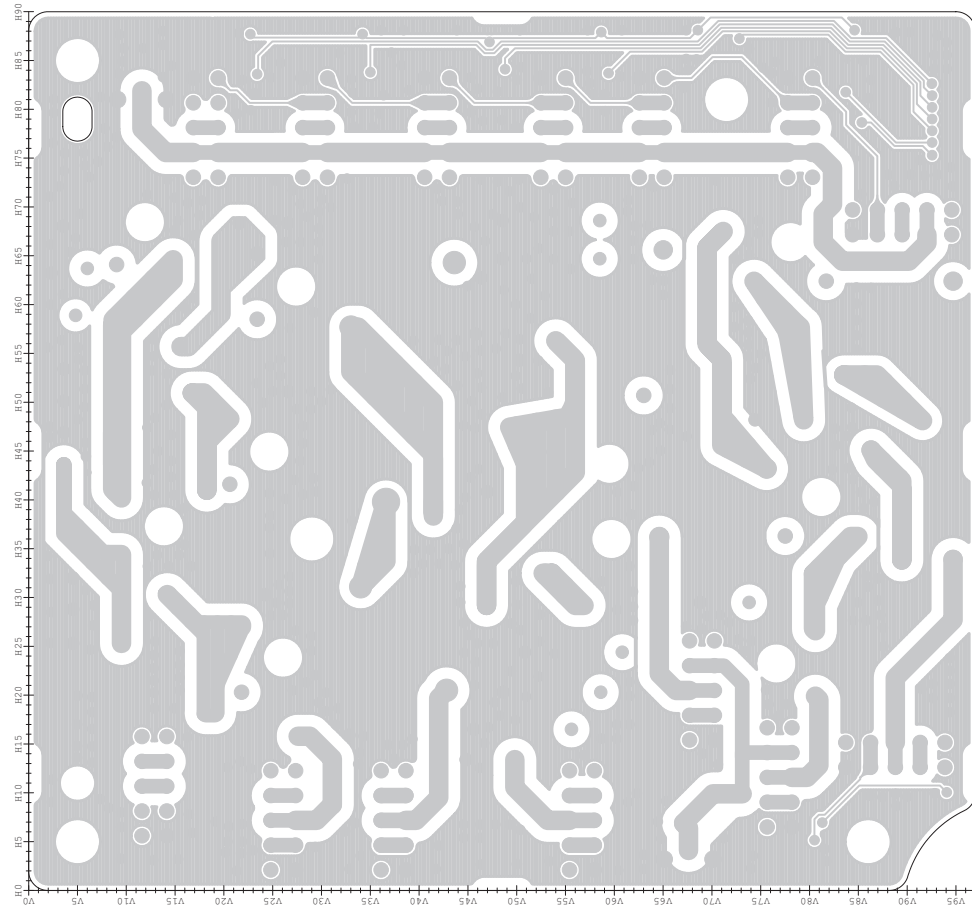
The combination of this side and the bottom side shows the board layout in the same configuration as the actual P.C.Board.

• RF UNIT
(BOTTOM VIEW)

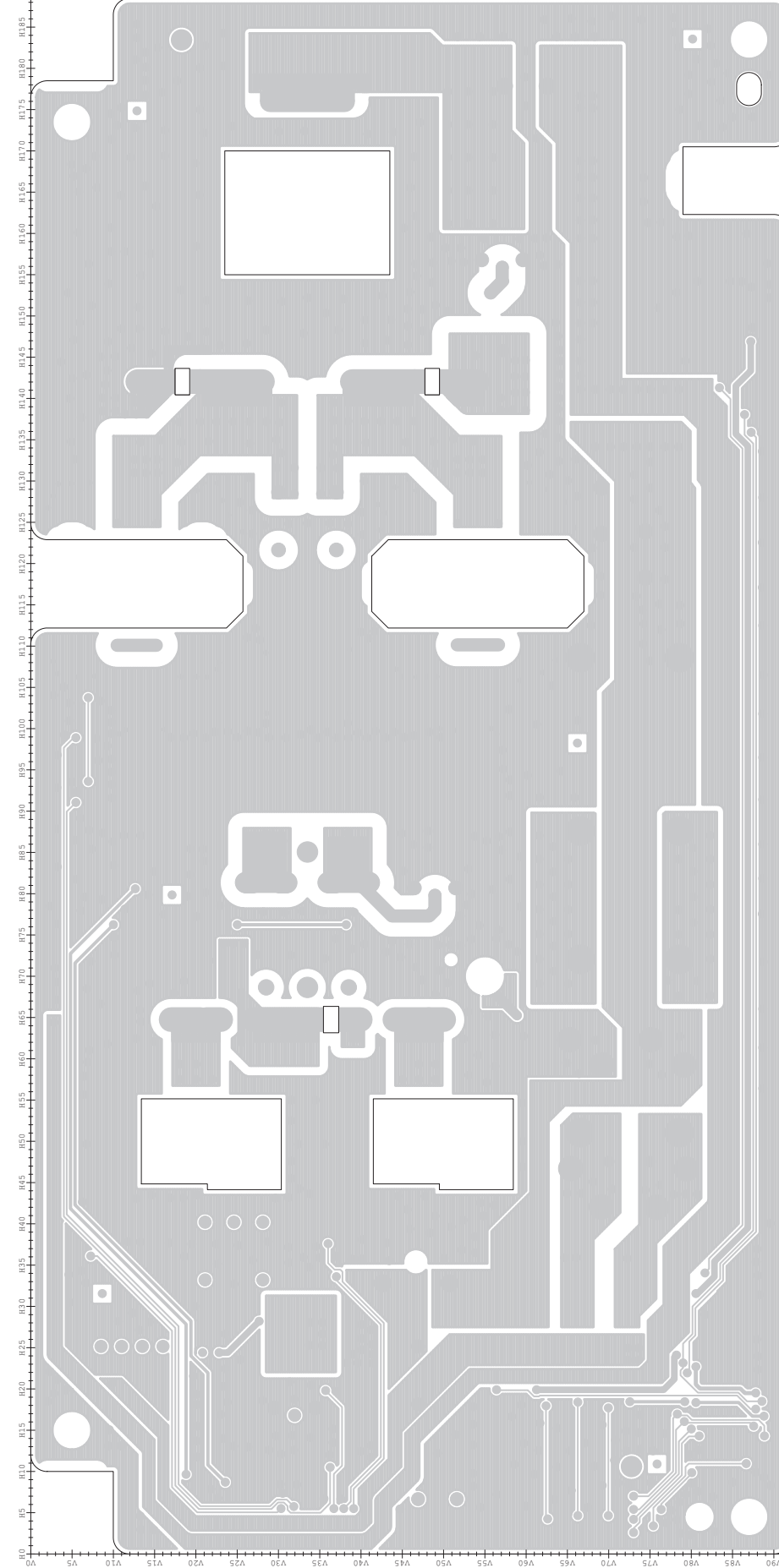


The combination of this side and the bottom side shows the board layout in the same configuration as the actual P.C.Board.

• FILTER UNIT
(TOP VIEW)

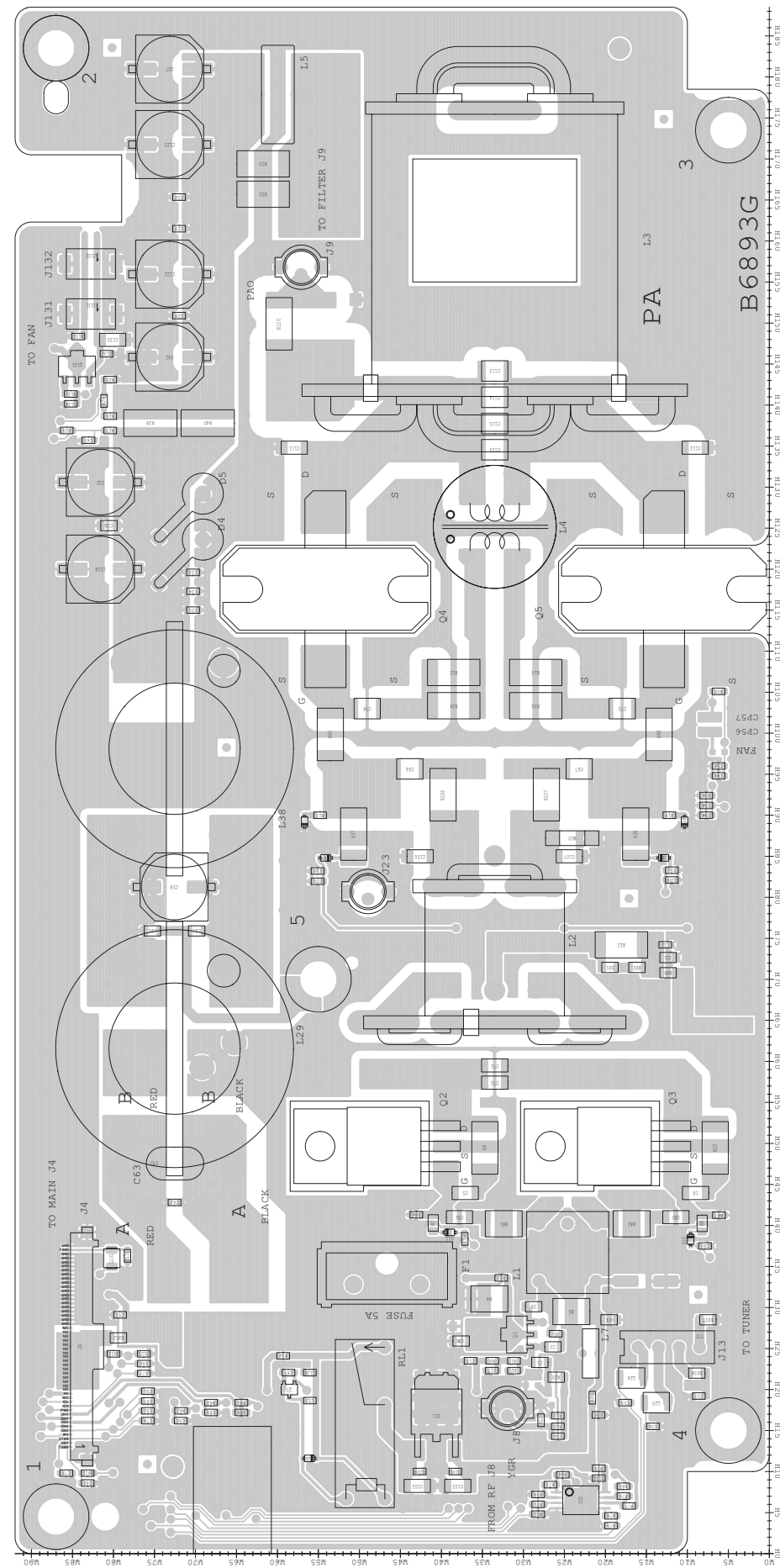


• PA UNIT
(TOP VIEW)

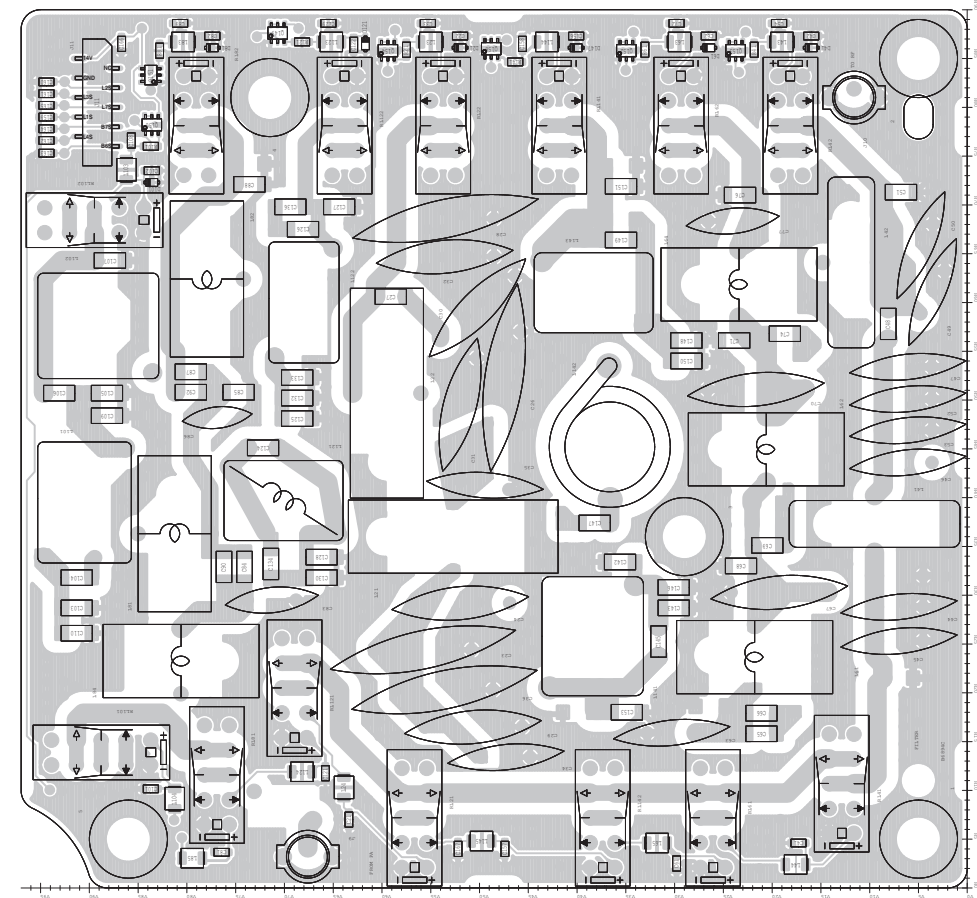


The combination of this side and the bottom side shows the board layout in the same configuration as the actual P.C.Board.

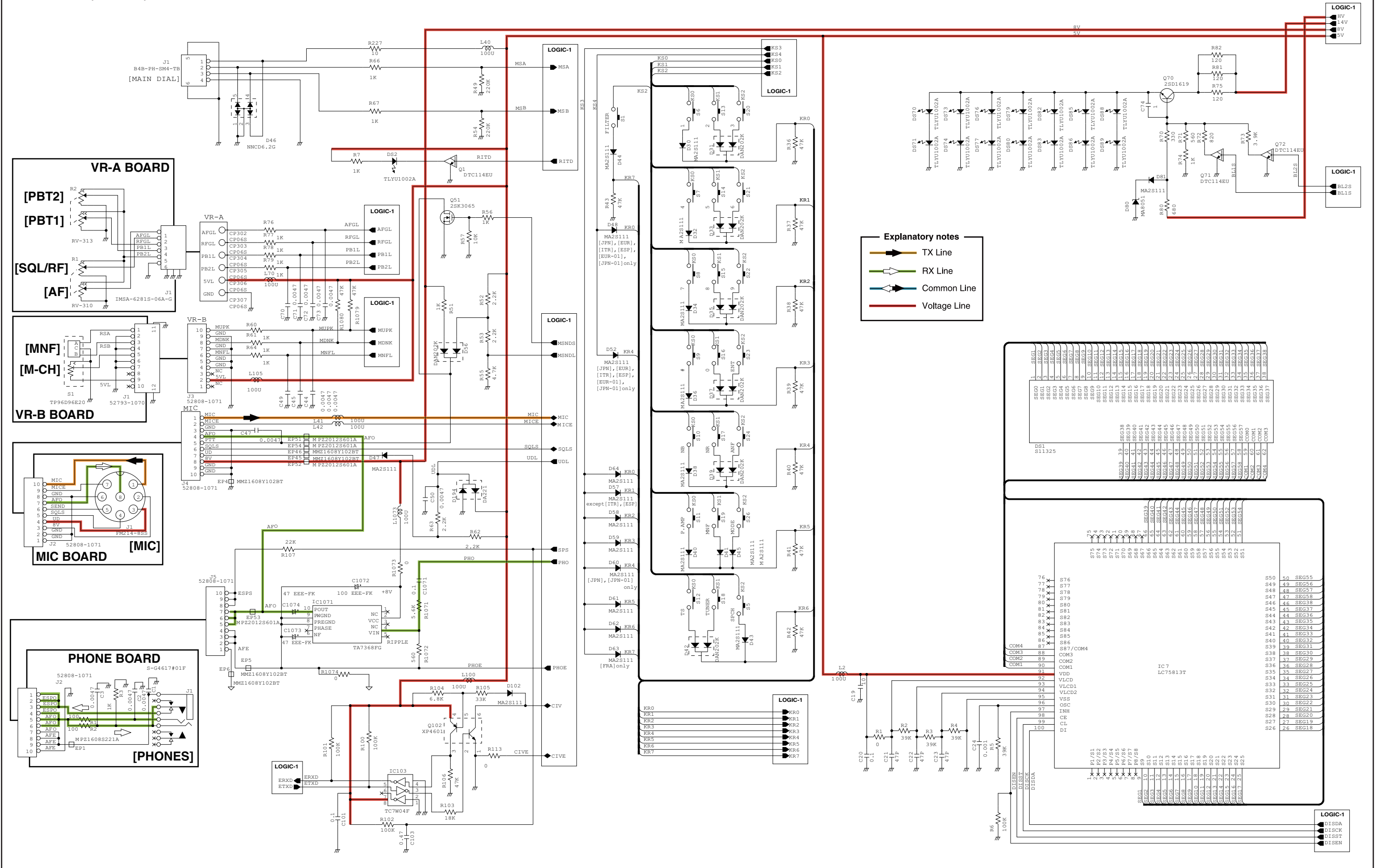
• PA UNIT
(BOTTOM VIEW)



• FILTER UNIT
(BOTTOM VIEW)

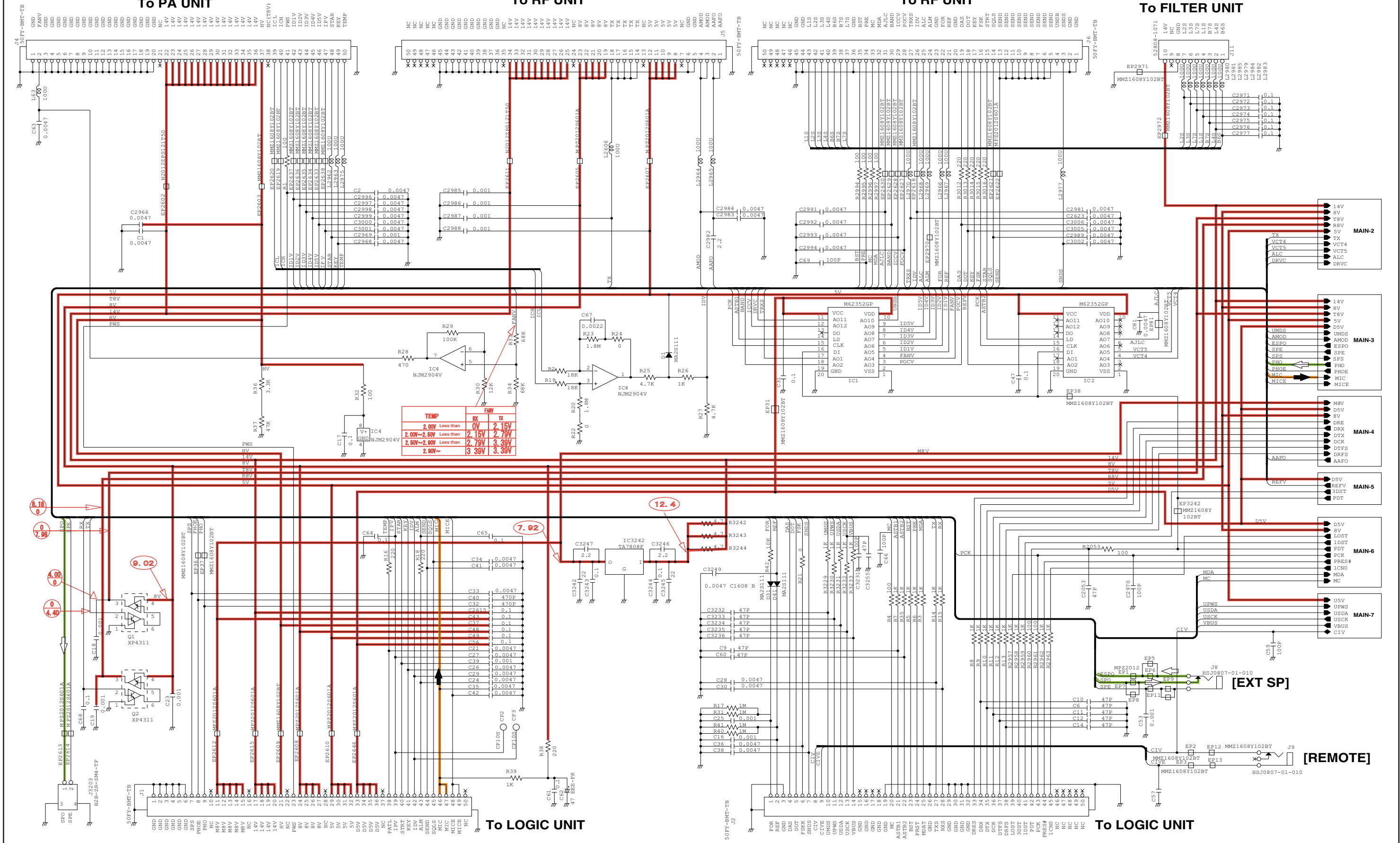


• LOGIC UNIT (LOGIC-2)



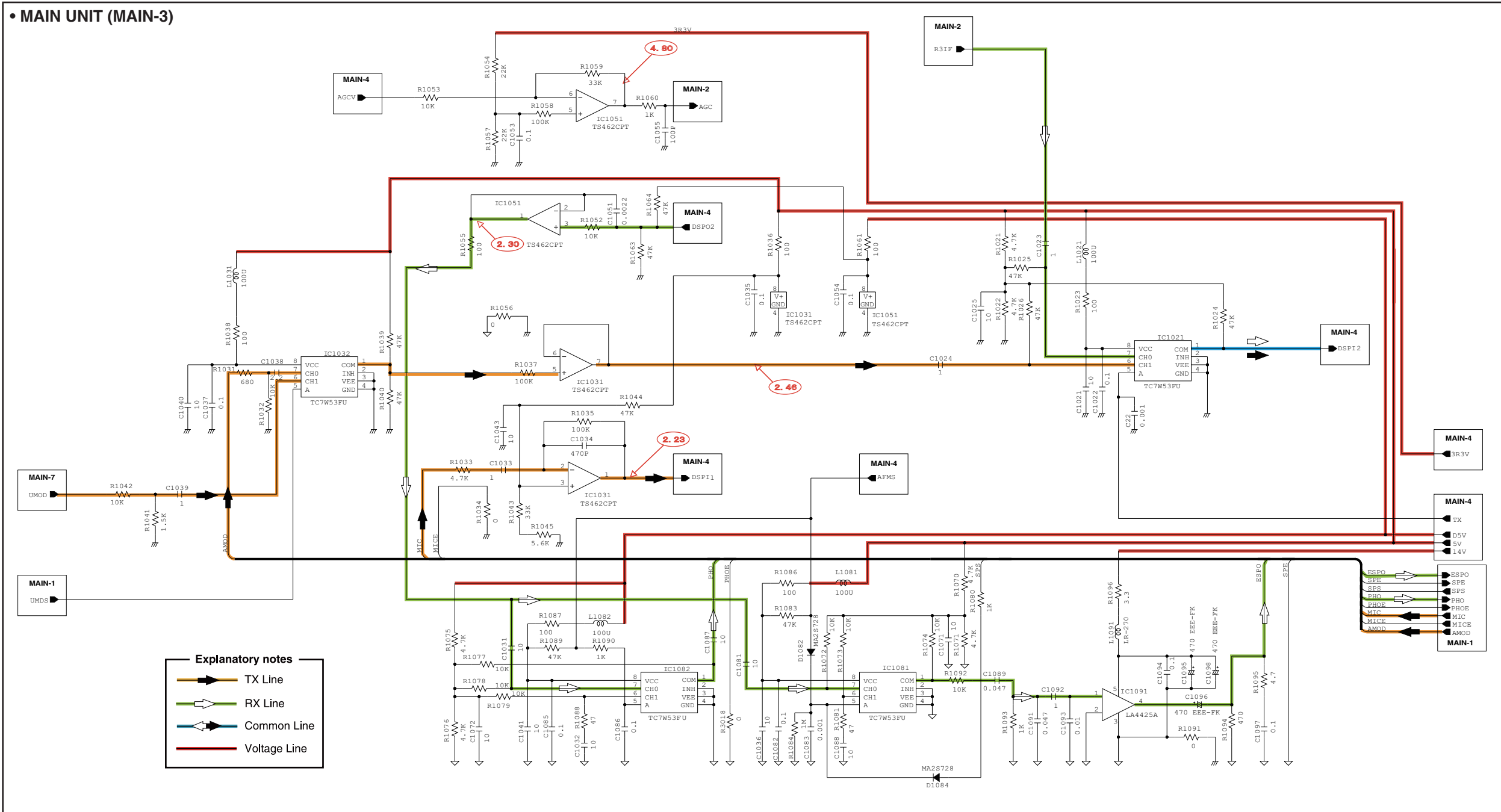
*; Refer to "PARTS LIST"

• MAIN UNIT (MAIN-1)



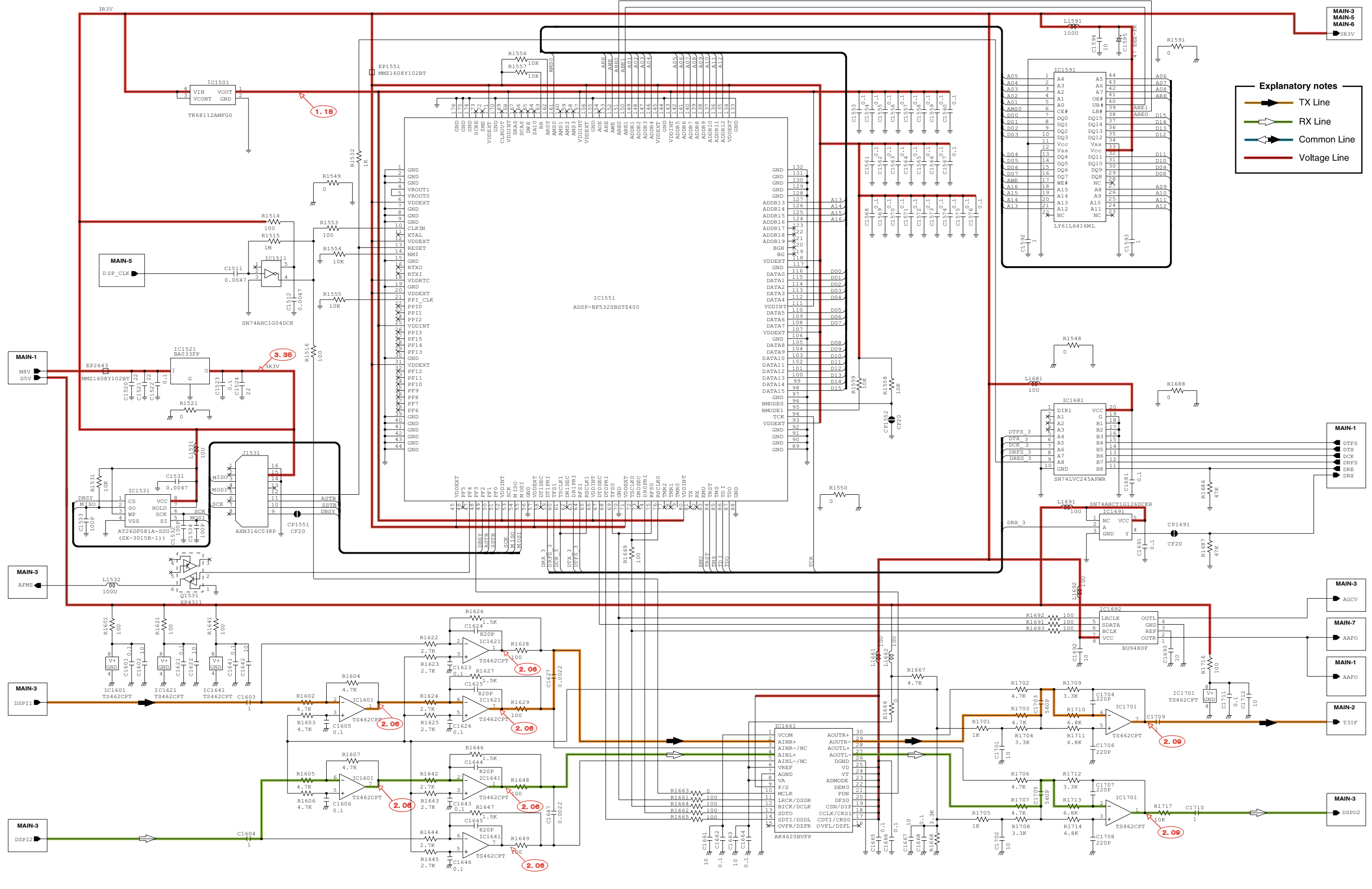
*; Refer to "PARTS LIST."

• MAIN UNIT (MAIN-3)



*; Refer to "PARTS LIST."

• MAIN UNIT (MAIN-4)

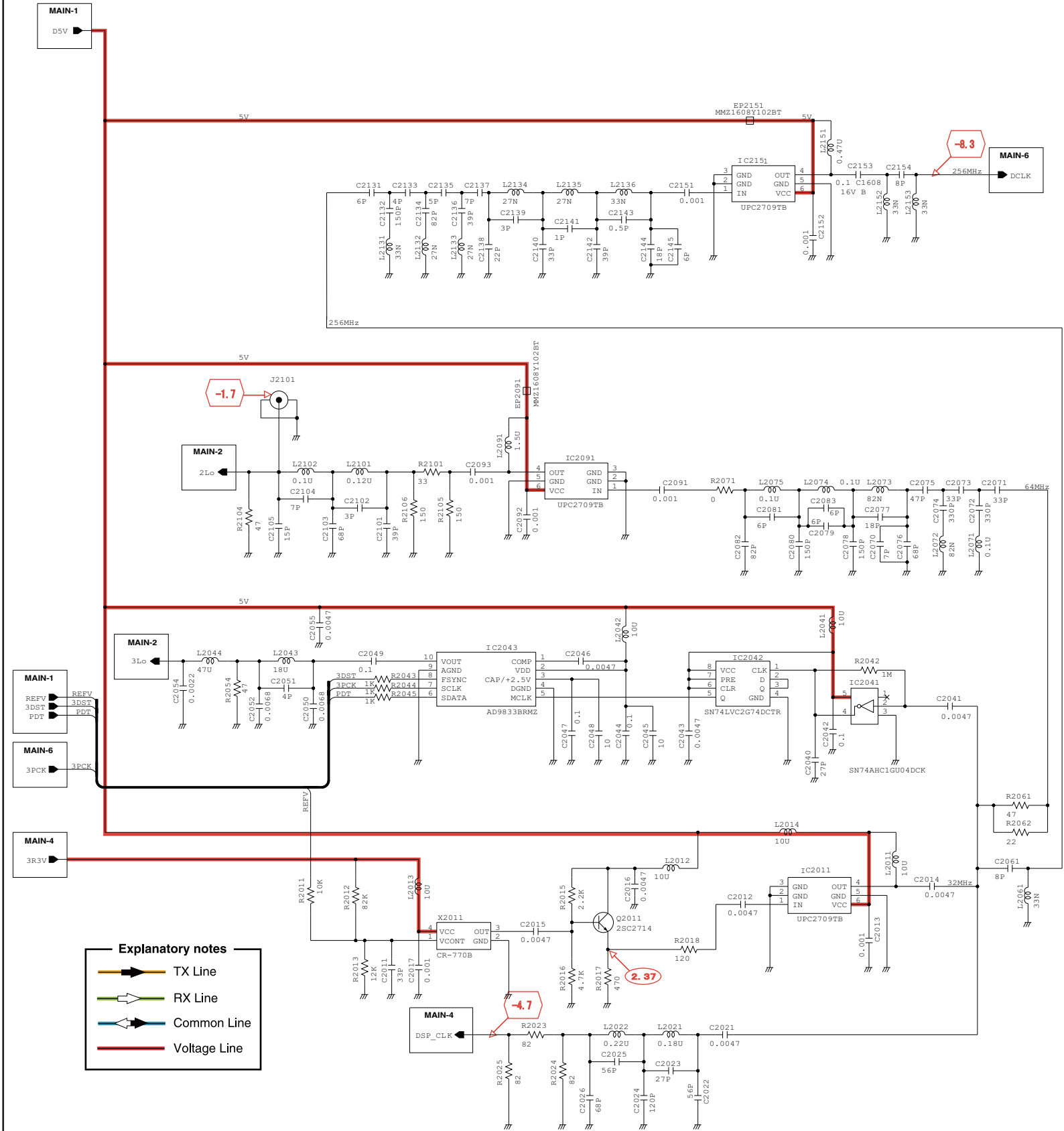


Explanatory notes

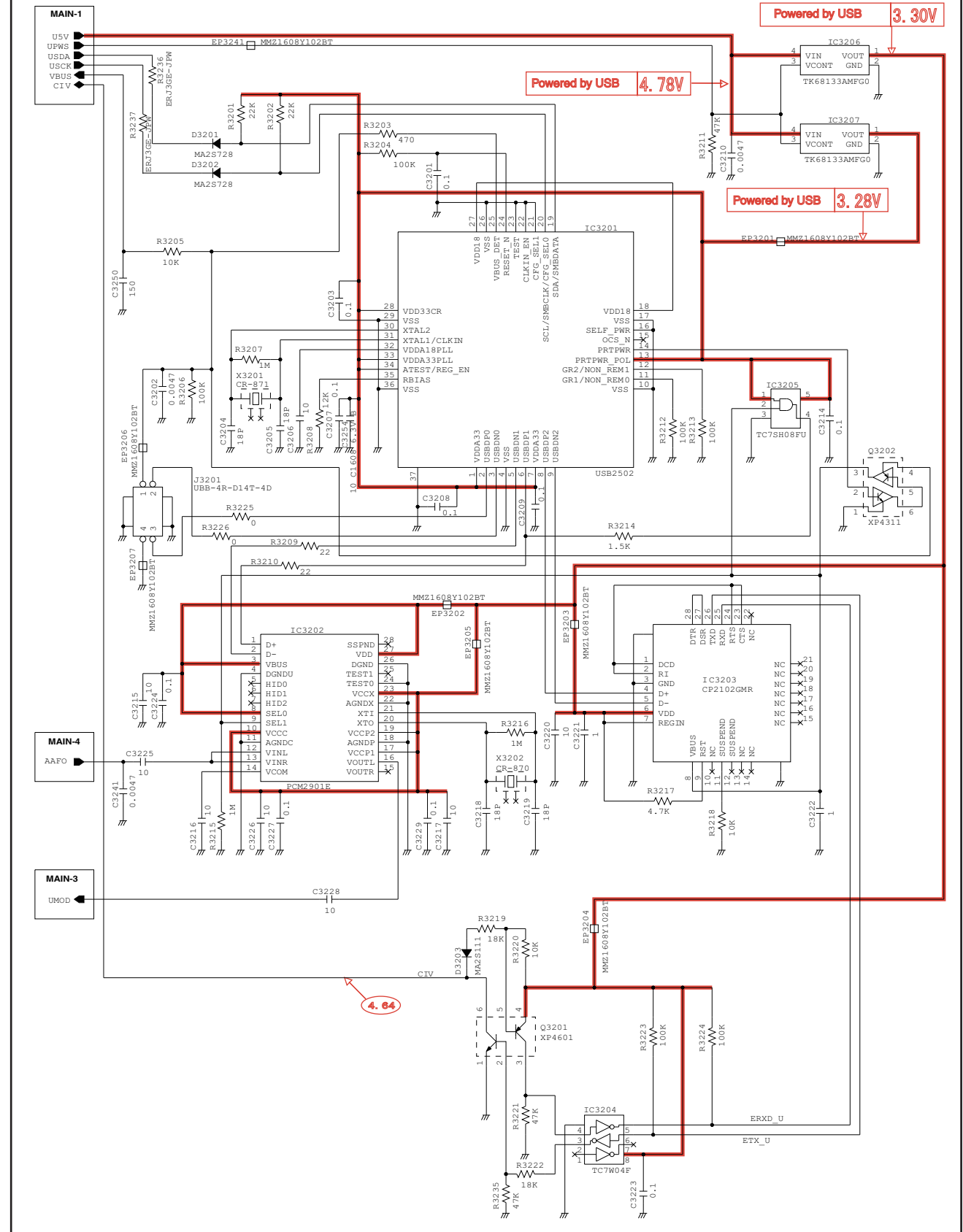
- TX Line
- RX Line
- Common Line
- Voltage Line

*; Refer to "PARTS LIST."

• MAIN UNIT (MAIN-5)

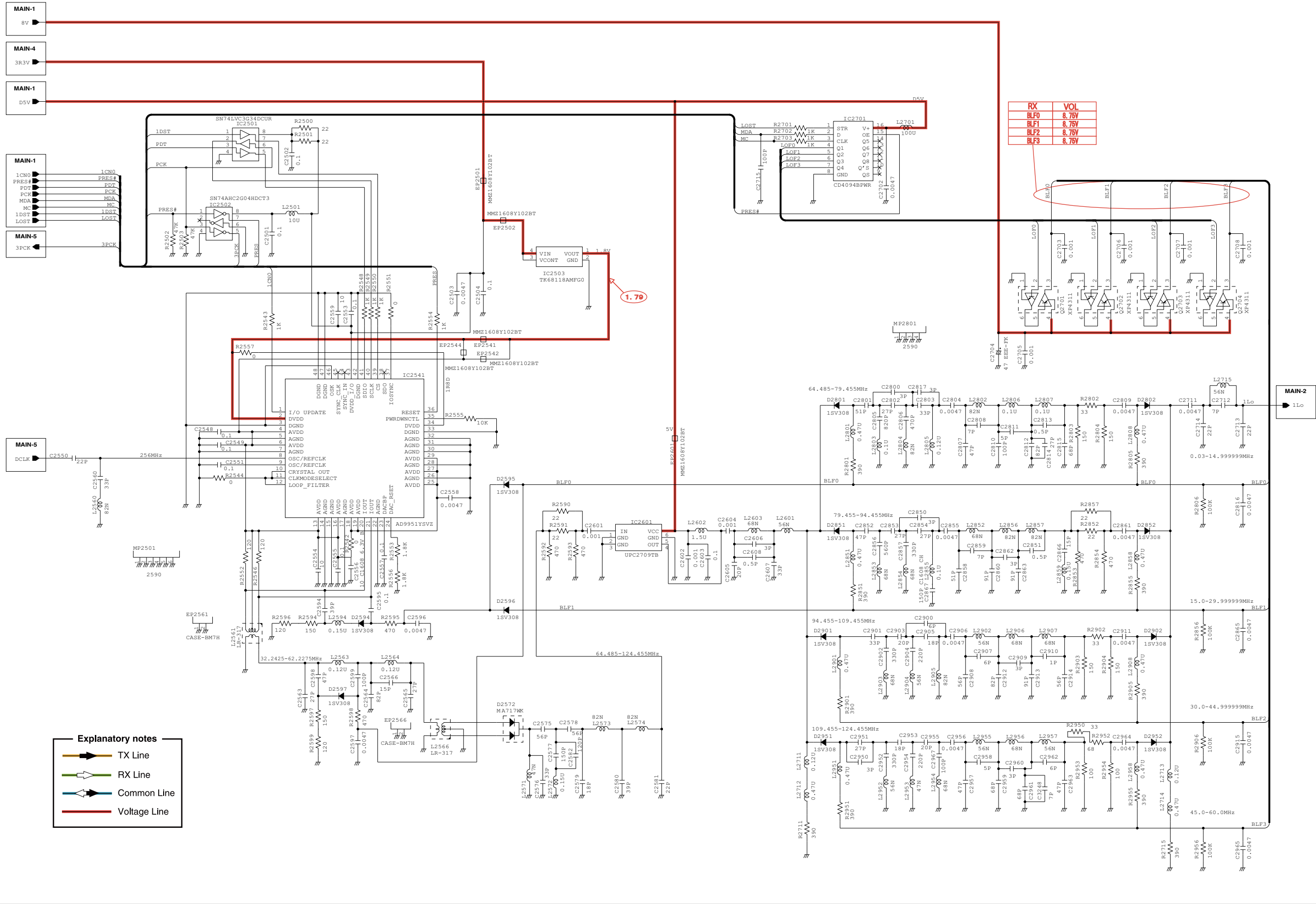


• MAIN UNIT (MAIN-6)



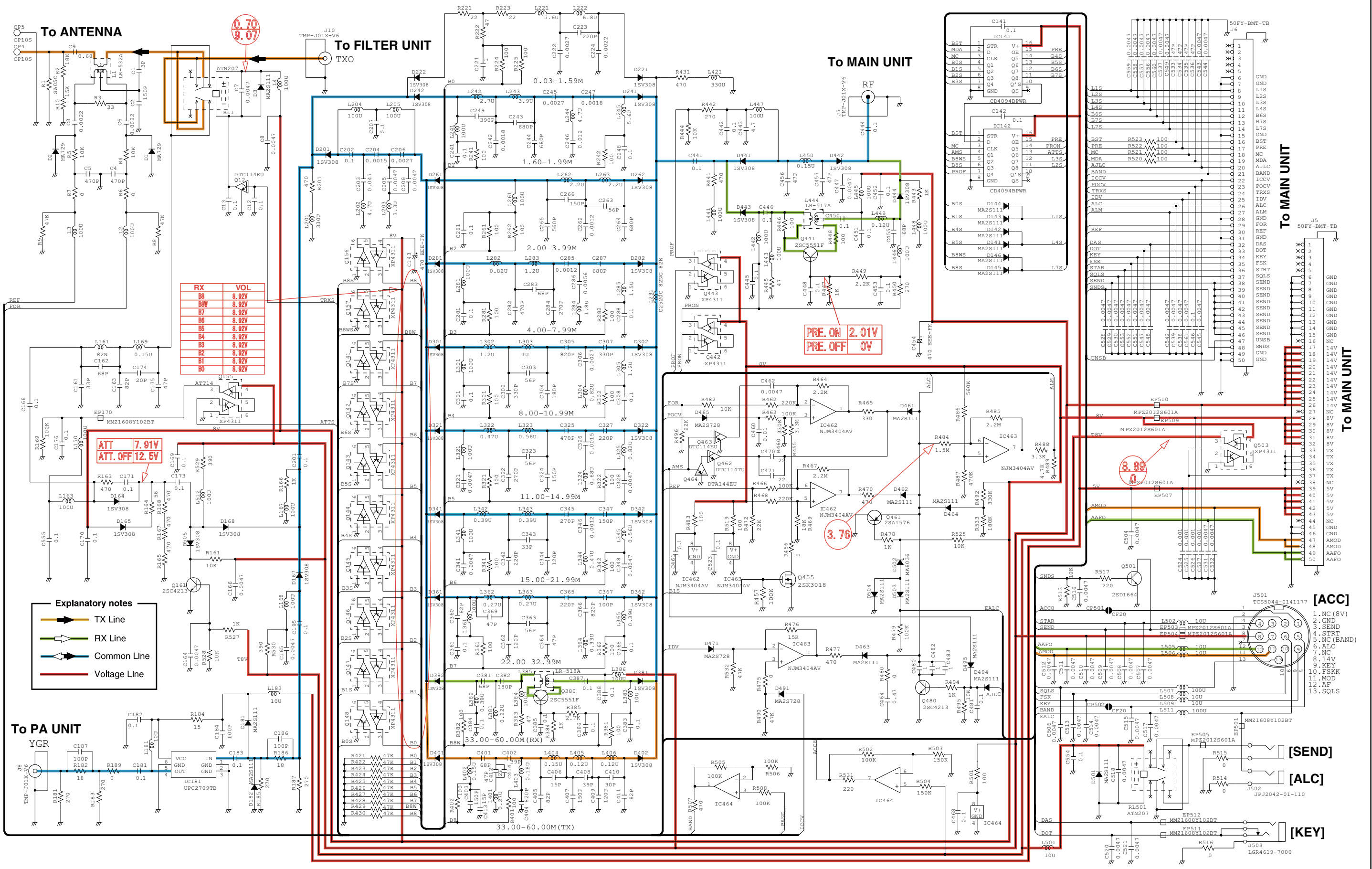
*; Refer to "PARTS LIST."

• MAIN UNIT (MAIN-7)



*; Refer to "PARTS LIST."

• RF UNIT



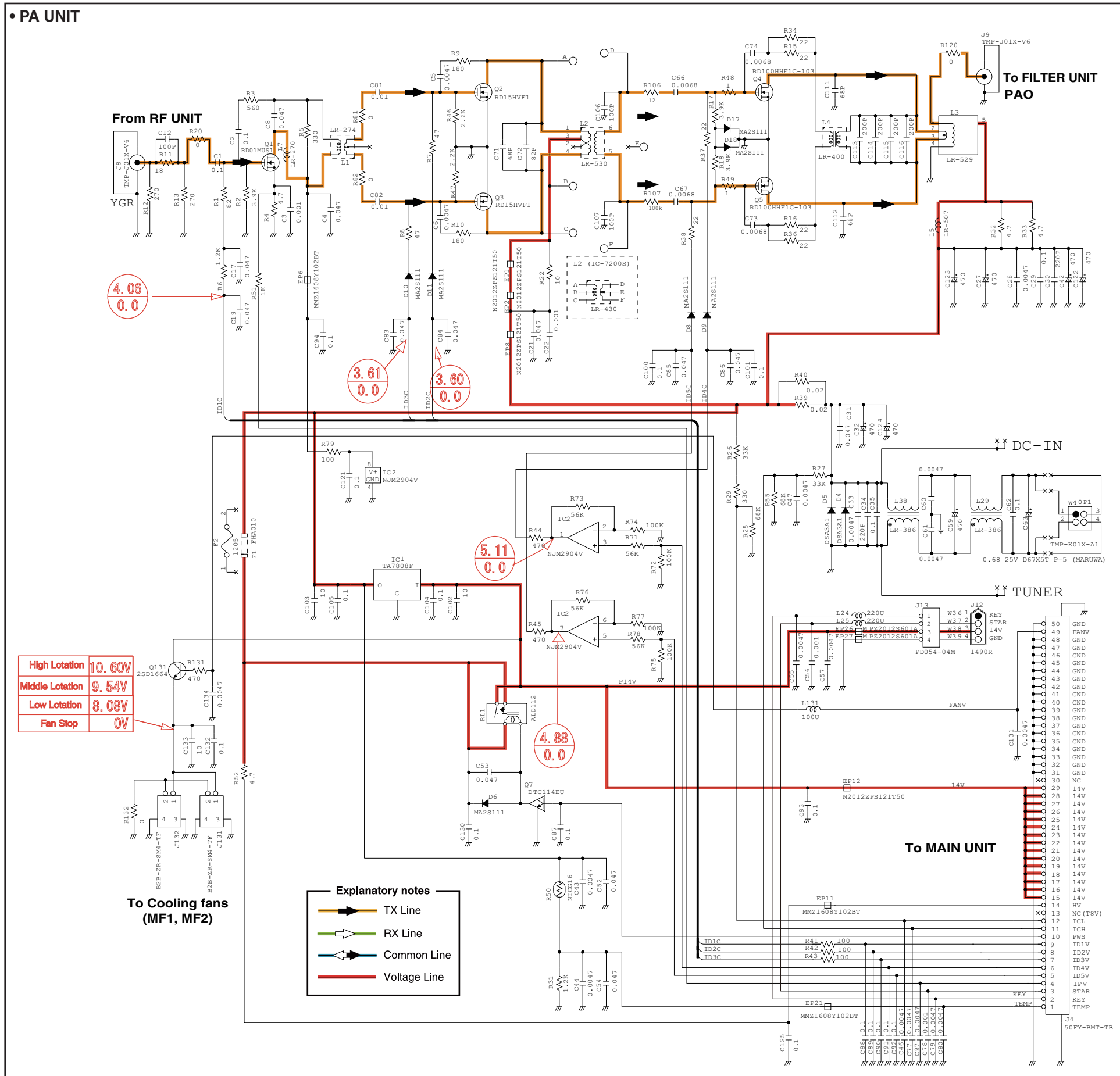
| RX | VOL |
|----|-------|
| B0 | 8.02V |
| B1 | 8.02V |
| B2 | 8.02V |
| B3 | 8.02V |
| B4 | 8.02V |
| B5 | 8.02V |
| B6 | 8.02V |
| B7 | 8.02V |
| B8 | 8.02V |

Explanatory notes

- TX Line
- RX Line
- Common Line
- Voltage Line

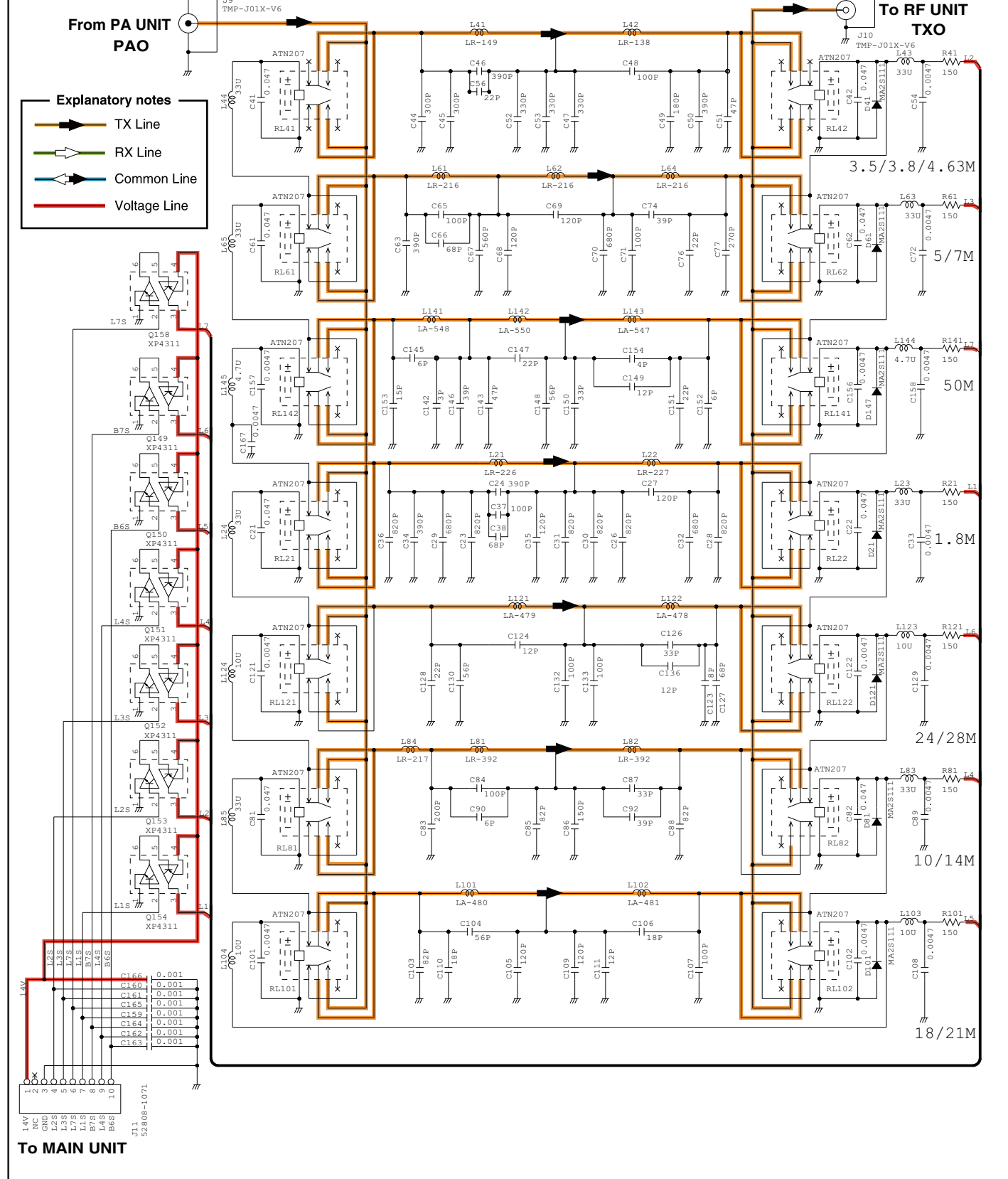
- [ACC]
- 1. NC (8V)
 - 2. SEND
 - 3. SEND
 - 4. STRT
 - 5. NC (BAND)
 - 6. ALC
 - 7. NC
 - 8. 14V
 - 9. KEY
 - 10. FSK
 - 11. MOD
 - 12. AF
 - 13. SLS
- [SEND]
- [ALC]
- [KEY]

• PA UNIT



*; Refer to "PARTS LIST."

• FILTER UNIT



*, Refer to "PARTS LIST."



SERVICE MANUAL

HF/50MHz TRANSCEIVER

IC-7200

S-14513XZ-C1
Oct. 2008

Icom Inc.

INTRODUCTION

This service manual describes the latest technical information for the **IC-7200 HF/50MHz TRANSCEIVER** at the time of publication.

| MODEL | VERSION | BAND | CARRIER POWER |
|---------|----------|-----------|---------------|
| IC-7200 | [USA] | HF/50 MHz | 100 W |
| | [EUR] | | |
| | [FRA] | | |
| | [ITR] | | |
| | [ESP] | | |
| | [EUR-01] | | |
| | [KOR] | | |
| | [CHN] | | |
| [EXP] | | | |

To upgrade quality, any electrical or mechanical parts and internal circuits are subject to change without notice or obligation.

CAUTION

NEVER connect the transceiver to an AC outlet or to a DC power supply that uses more than specified. This will ruin the transceiver.

DO NOT expose the transceiver to rain, snow or any liquids.

DO NOT reverse the polarities of the power supply when connecting the transceiver.

DO NOT apply an RF signal of more than 20 dBm (100 mW) to the antenna connector. This could damage the transceiver's front-end.

UNIT ABBREVIATIONS:

| | |
|------|-------------|
| F: | FRONT UNIT |
| C: | CHASSIS |
| M: | MAIN UNIT |
| L: | LOGIC UNIT |
| MC: | MIC BOARD |
| PA: | PA UNIT |
| RF: | RF UNIT |
| FIL: | FILTER UNIT |
| VA: | VR-A BOARD |
| VB: | VR-B BOARD |
| PH: | PHONE BOARD |



ORDERING PARTS

Be sure to include the following four points when ordering replacement parts:

1. 10-digit Icom parts numbers
2. Component name
3. Equipment model name and unit name
4. Quantity required

<ORDER EXAMPLE>

| | | | | | |
|------------|-------|------------|---------|-----------|-----------|
| 1110003491 | S.IC | TA31136FNG | IC-7200 | MAIN UNIT | 5 pieces |
| 8820001210 | Screw | 2438 screw | IC-7200 | Top cover | 10 pieces |

Addresses are provided on the inside back cover for your convenience.

REPAIR NOTES

1. Make sure the problem is internal before disassembling the transceiver.
2. **DO NOT** open the transceiver until the transceiver is disconnected from its power source.
3. **DO NOT** force any of the variable components. Turn them slowly and smoothly.
4. **DO NOT** short any circuits or electronic parts. An insulated tuning tool **MUST** be used for all adjustments.
5. **DO NOT** keep power ON for a long time when the transceiver is defective.
6. **DO NOT** transmit power into a Standard Signal Generator or a Sweep Generator.
7. **ALWAYS** connect a 50 dB to 60 dB attenuator between the transceiver and a Deviation Meter or Spectrum Analyzer when using such test equipment.
8. **READ** the instructions of test equipment thoroughly before connecting a test equipment to the transceiver.

Icom, Icom Inc. and ICOM logo are registered trademarks of Icom Incorporated (Japan) in the United States, the United Kingdom, Germany, France, Spain, Russia and/or other countries.

CONTENTS

SECTION 1 SPECIFICATIONS

SECTION 2 INSIDE VIEWS

SECTION 3 CIRCUIT DESCRIPTION

| | | |
|-----|----------------------------|-----|
| 3-1 | RF UNIT..... | 3-1 |
| 3-2 | MAIN UNIT..... | 3-2 |
| 3-3 | PA UNIT..... | 3-3 |
| 3-4 | FILTER UNIT..... | 3-3 |
| 3-5 | VOLTAGE BLOCK DIAGRAM..... | 3-4 |
| 3-6 | PORT ALLOCATIONS..... | 3-5 |

SECTION 4 ADJUSTMENT PROCEDURES

| | | |
|-----|------------------|-----|
| 4-1 | PREPARATION..... | 4-1 |
| 4-2 | ADJUSTMENT..... | 4-3 |

SECTION 5 PARTS LIST

SECTION 6 MECHANICAL PARTS

SECTION 7 BOARD LAYOUTS

| | |
|------------------|-----|
| LOGIC UNIT..... | 7-1 |
| VR-A BOARD..... | 7-1 |
| VR-B BOARD..... | 7-1 |
| MIC BOARD..... | 7-1 |
| PHONE BOARD..... | 7-1 |
| RF UNIT..... | 7-3 |
| MAIN UNIT..... | 7-3 |
| FILTER UNIT..... | 7-5 |
| PA UNIT..... | 7-5 |

SECTION 8 GENERAL WIRING

SECTION 9 BLOCK DIAGRAM

SECTION 10 SCHEMATIC DIAGRAM

| | |
|------------------|-------|
| LOGIC UNIT..... | 10-1 |
| VR-A BOARD..... | 10-1 |
| VR-B BOARD..... | 10-1 |
| MIC BOARD..... | 10-1 |
| PHONE BOARD..... | 10-1 |
| MAIN UNIT..... | 10-3 |
| RF UNIT..... | 10-9 |
| PA UNIT..... | 10-10 |
| FILTER UNIT..... | 10-11 |

■ General

- Frequency coverage :
 - Receive
30 kHz–60.000000 MHz*1*2
 - Transmit
1.800–1.999999 MHz*2, 3.500–3.999999 MHz*2
5.33050*3, 5.34650*3, 5.36650*3,
5.37150*3, 5.40350*3,
7.000–7.300 MHz*2, 10.100–10.150 MHz,
14.000–14.350 MHz, 18.068–18.168 MHz,
21.000–21.450 MHz, 24.890–24.990 MHz,
28.000–29.700 MHz, 50.000–54.000 MHz*2,
*1Some frequency bands are not guaranteed.
*2Depending on version. *3USA version only.
- Mode : SSB, CW, RTTY, AM
- Number of memory CH : 201 (split memory: 199; scan edges: 2) channels
- Antenna connector : SO-239
- Antenna impedance : 50 Ω (unbalanced)
- Usable temperature range : –10°C to +60°C (+14°F to +140°F)
- Frequency stability : Less than ±0.5 ppm
- Power supply requirement : 13.8 V DC±15% (negative ground)
- Current drain (at 13.8 V DC) : Transmit (at 100 W) 22 A
Receive squelched 1.3 A
max. audio 2.0 A
- Dimensions : 241(W) × 84(H) × 281(D) mm,
(projections not included) 9½(W) × 3⅝(H) × 11¼(D) in
- Weight (approx.) : 5.5 kg (12.1 lb)
- CI-V connector : 2-conductor 3.5 (d) mm (⅛")
- ACC connector : 13-pin

■ Transmitter

- Output power
 - SSB, CW, RTTY : 2–100 W
 - AM : 1–25 W* (*Carrier power)
- Modulation system
 - SSB : Digital PSN modulation
 - AM : Digital Low power modulation
- Spurious emissions
 - HF bands : Less than –50 dB
 - 50 MHz band : Less than –63 dB
- Carrier suppression : More than 50 dB
- Unwanted sideband : More than 50 dB
- Microphone connector : 8-pin connector (600 Ω)
- KEY connector : 3-conductor 6.3 (d) mm (¼")

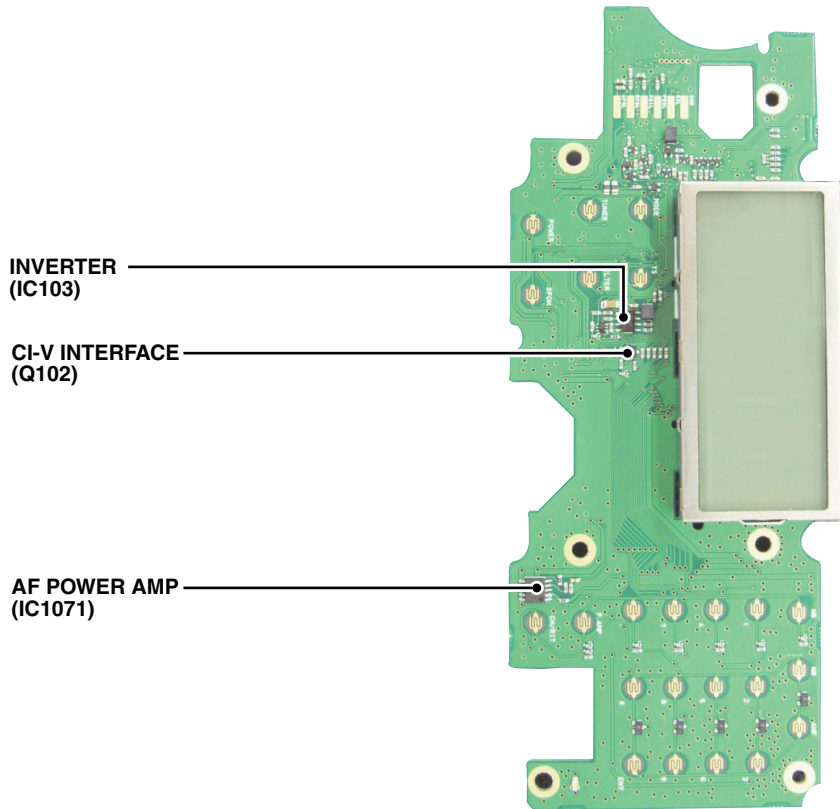
■ Receiver

- Receive system : Triple-conversion superheterodyne
- Intermediate frequencies
 - 1st : 64.455 MHz
 - 2nd : 455 kHz
 - 3rd : 15.625 kHz
- Sensitivity (10dB S/N, preamp: ON, Filter shape: sharp)
 - SSB, CW : Less than 0.16 μV
(1.8–29.7 MHz)
Less than 0.13 μV
(50 MHz band)
 - AM : Less than 13 μV
(0.5–1.799 MHz)
Less than 2 μV
(1.8–29.7 MHz)
Less than 1 μV
(50 MHz band)
- Squelch sensitivity (SSB, threshold, preamp ON) : Less than 5.6 μV
- Selectivity
 - SSB* (BW=2.4 kHz) : More than 2.4 kHz/–6 dB
Less than 3.6 kHz/–60 dB
 - CW* (BW=500 Hz) : More than 500 Hz/–6 dB
Less than 900 Hz/–60 dB
 - RTTY (BW=350 Hz) : More than 360 Hz/–6 dB
Less than 650 Hz/–60 dB
 - AM (BW=6 kHz) : More than 6.0 kHz/–6 dB
Less than 15.0 kHz/–60 dB
*IF filter shape is set to SHARP.
- Spurious and image rejection ratio : More than 70 dB
(except ½ IF through on 50 MHz band)
- Audio output power : More than 2.0 W at 10% distortion with an 8 Ω load (at 13.8 V DC)
- RIT variable range : ±9.999 kHz
- PHONES connector : 3-conductor 6.3 (d) mm (¼")/8 Ω
- EXT SP connector : 2-conductor 3.5 (d) mm (⅛")/8 Ω

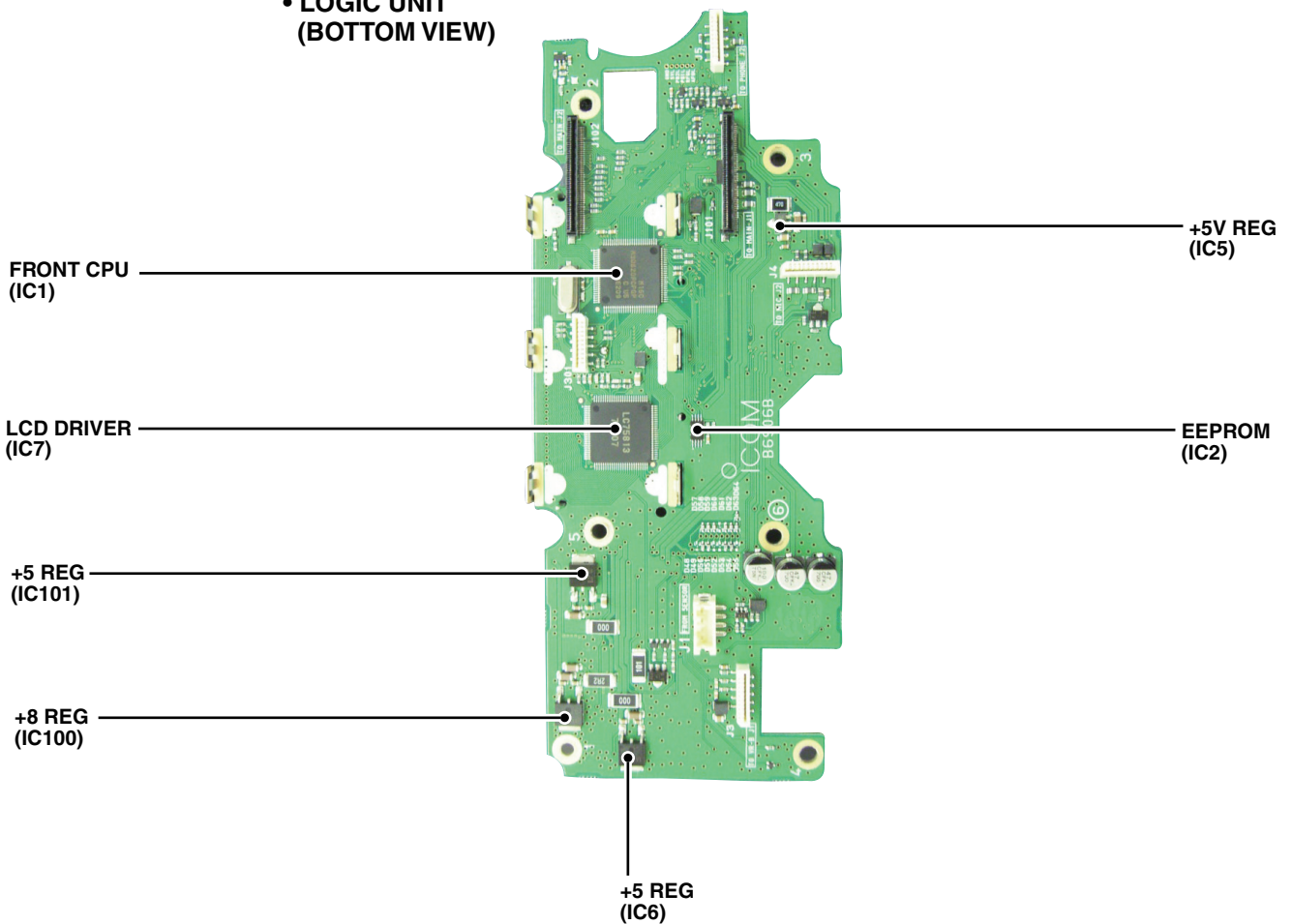
SECTION 2

INSIDE VIEW

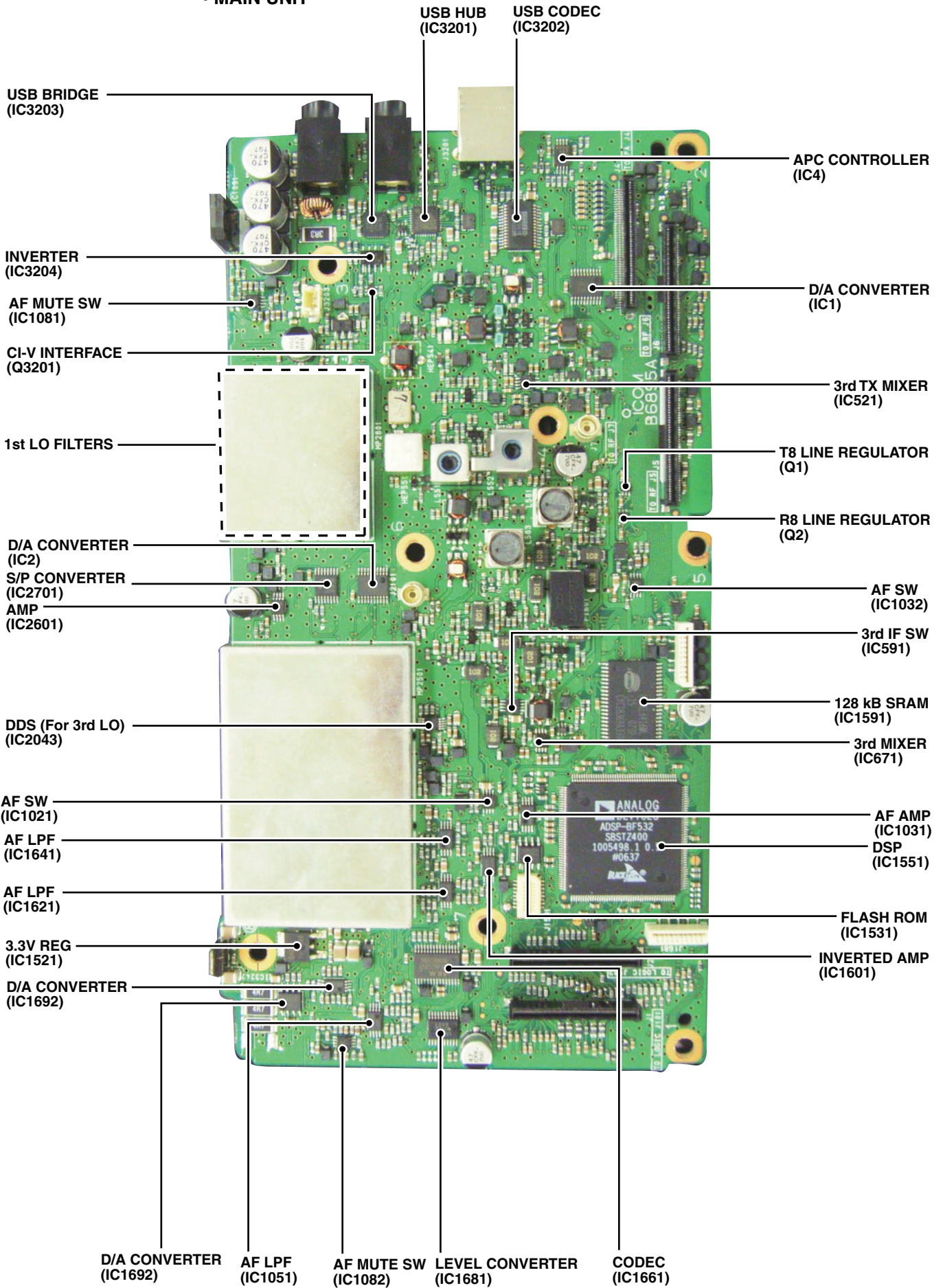
• LOGIC UNIT (TOP VIEW)



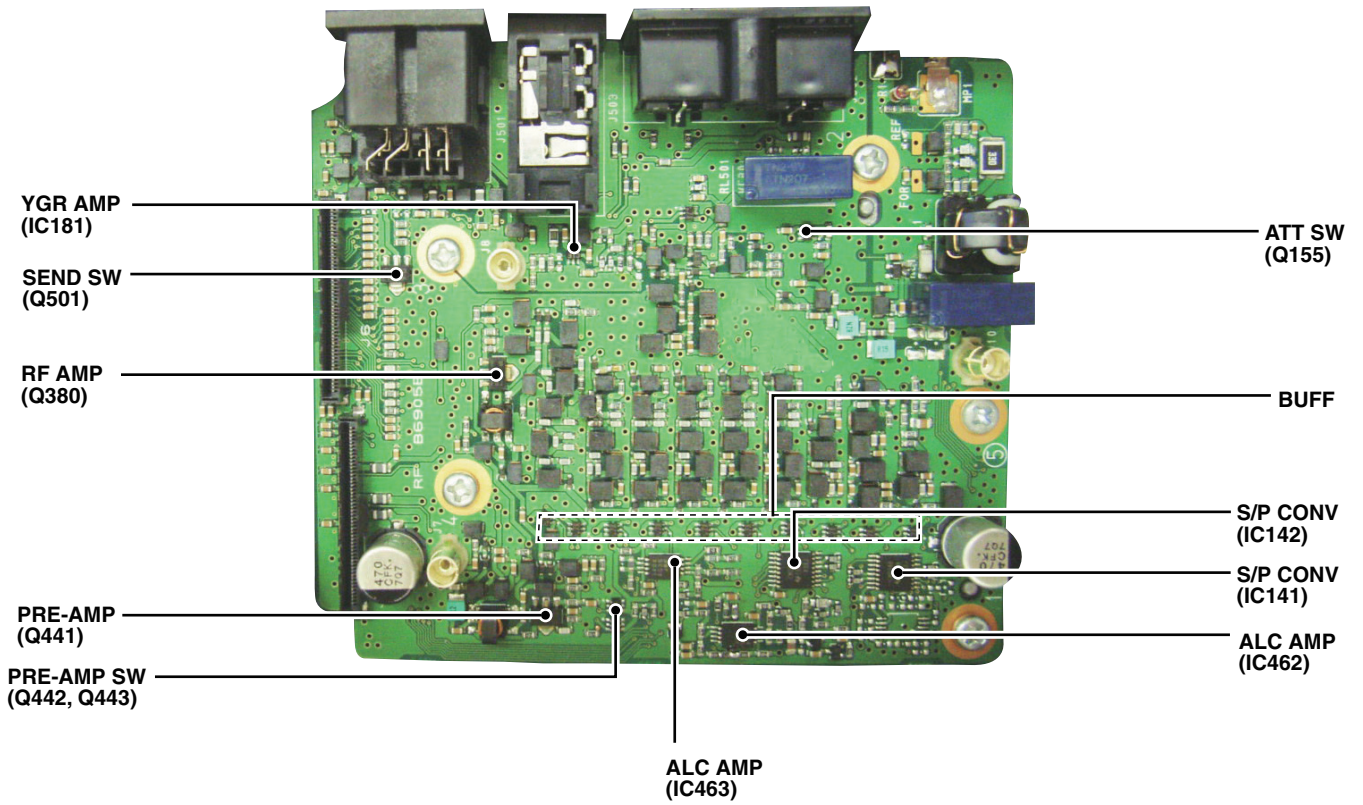
• LOGIC UNIT (BOTTOM VIEW)



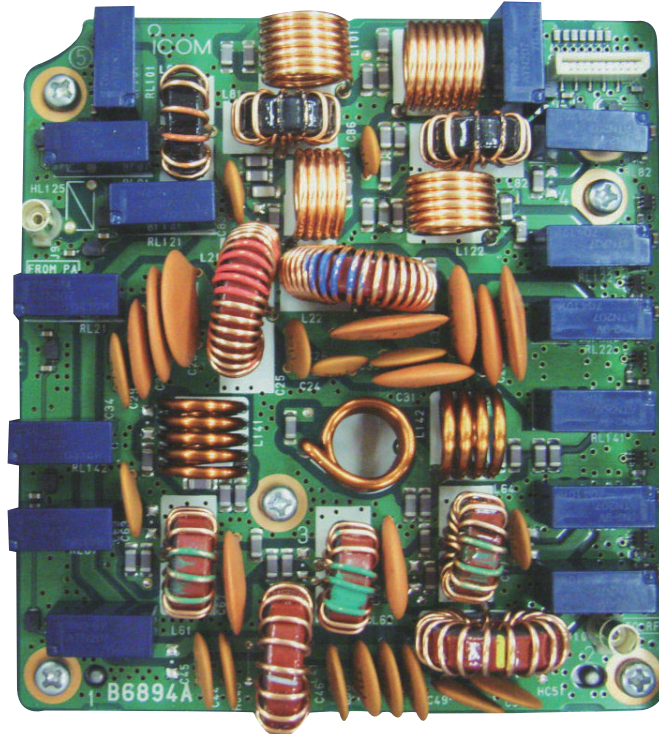
• MAIN UNIT



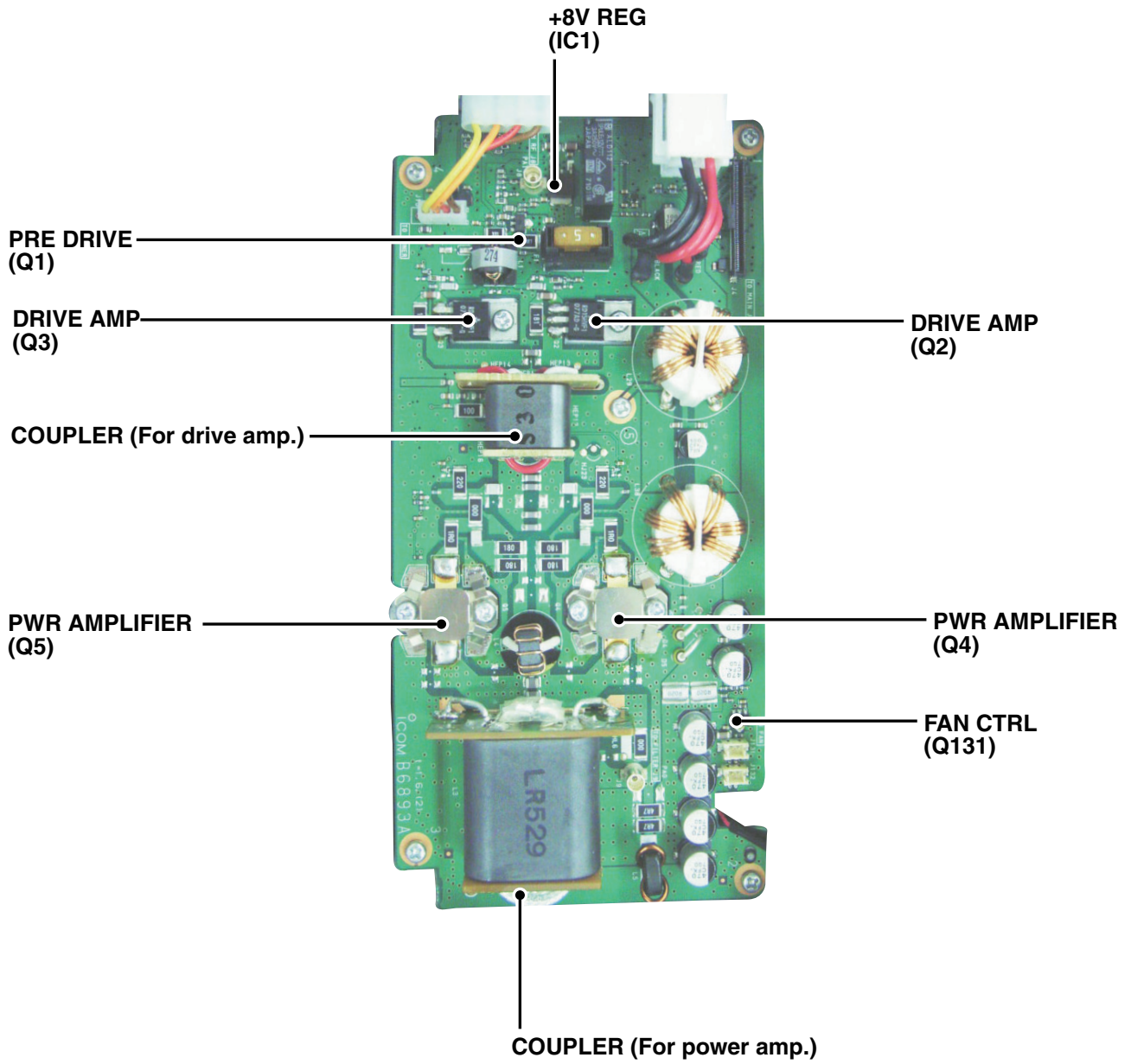
• RF UNIT



• FILTER UNIT



• PA UNIT



3-1 RF UNIT

The RF UNIT is composed by BPFs for both TX and RX, attenuator and pre-AMP for RX line, YGR AMP, SWR detect circuit and ALC circuit for TX line.

• TX/RX SW

RL1 connects the RX/TX circuit to the antenna connector according to the operation (receiving/transmitting).

While receiving, RL1 connects the antenna connector and the attenuator through the LPF. While transmitting, RL1 connects the antenna connector and J10 which guides the TX signal from the FILTER UNIT.

• ATTENUATOR (ATT)

The attenuator is composed of D164, D165, R163 and R164.

While the ATT function is inactivated, D164 turns ON and D165 turns OFF to apply the RX signals to next RX stage via D164 without attenuation.

While the ATT function is activated, D164 turns OFF and D165 turns ON and the RX signals are divided by R163 and R164 for 20 dB of attenuation.

• BPF

The RX signals from the ATT are passed through one of 9 BPFs. The BPF for MF band contains an attenuator to prevent the saturation caused by strong RX signals. The BPF for 50 MHz band contains a pre-AMP (Q380) to make up the loss for high sensitivity.

These BPFs are commonly used in TX and RX, but exclusive BPF for 50 MHz TX is also equipped to secure the transmit signal path for 50 MHz.

• PRE-AMP

While the pre-amp. function is activated, the RX signals from the BPF are applied to the noiseless feedback AMP (Q441). This AMP provides low-noise, high RF gain and good IP characteristic. The amplified RX signals are entered to the MAIN UNIT via J7.

• YGR AMP

While TX, the transmit signal (YGR signal) is entered to the MAIN UNIT via J7. The transmit signal is by-passed the pre-AMP and passed through one of BPFs, and amplified to the level required in PA UNIT by IC181, then output through J8.

• SWR DETECT CIRCUIT

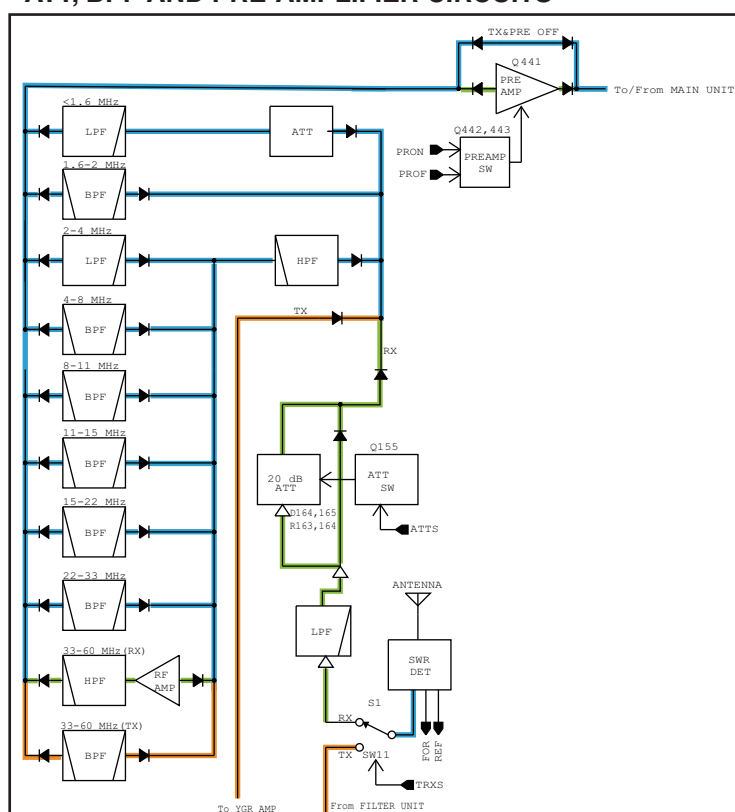
The TX signal which is amplified to the output power level in the PA UNIT is entered to the RF UNIT via J10. The TX signal is passed through the TX/RX SW (RL1) and the SWR detect circuit (L1), then fed to the antenna connector. The detected forward and reflected signals are rectified by D1 and D2 to be converted into DC voltage.

• ALC CIRCUIT

The detected forward signal is applied to IC462 and compared with TX power setting voltage "POCV" which is supplied from the CPU (voltage is differ according to the TX output power), and the resulting voltage controls the TX power according to the setting.

The ALC voltage is also used for two APC circuits. One is the SWR APC circuit which is controlled by reflected voltage "REF", another is ID APC circuit which is controlled by driving current of the power amplifier.

- ATT, BPF AND PRE-AMPLIFIER CIRCUITS -



3-2 MAIN UNIT

The MAIN UNIT is the core of IC-7200.

• RF INPUT/OUTPUT

The RX signals from the RF UNIT are passed through the LPF and D523, then applied to the 1st mixer.

The TX signal from the YGR AMP is passed through D524 and LPF, then output to RF UNIT via J7.

• RX IF CIRCUIT

Q502, Q503, Q504 and Q505 (these are junction FETs) compose a quad-structured 1st mixer circuit, and provides high enough intercept point. RX signals are mixed with the 1st LO signals from the 1st LO AMP (Q501) to be converted into the 64.455 MHz 1st IF signal. The 1st IF signal is filtered by the roofing filter (FI541) to remove the RX frequency signal and 1st LO signals, and amplified by the 1st IF AMP (Q551).

The amplified 1st IF signal is applied to the 2nd mixer (D571) to be converted into the 455 kHz 2nd IF signal. A double balanced mixer is adopted to the 2nd mixer and is used for both TX and RX.

The 2nd IF signal is filtered by FI601 and amplified by Q653, Q652, Q651, then applied to the 3rd mixer (IC671). The 3rd mixer operated by switching SPDT switch using LO signal, and commonly used in TX and RX. The converted 15.625 kHz 3rd IF signal is applied to the DSP section.

• RX AF CIRCUIT

The 3rd RX IF signal is demodulated, audio level-adjusted and squelch-controlled in the DSP, then directly applied to the AF AMP.

IC1091 is an exclusive AF AMP for driving internal speaker.

While a headphone is connected, IC1081 cuts the input line of IC1091 off. For the headphone operation, an extra AF output line connected to the FRONT UNIT is available.

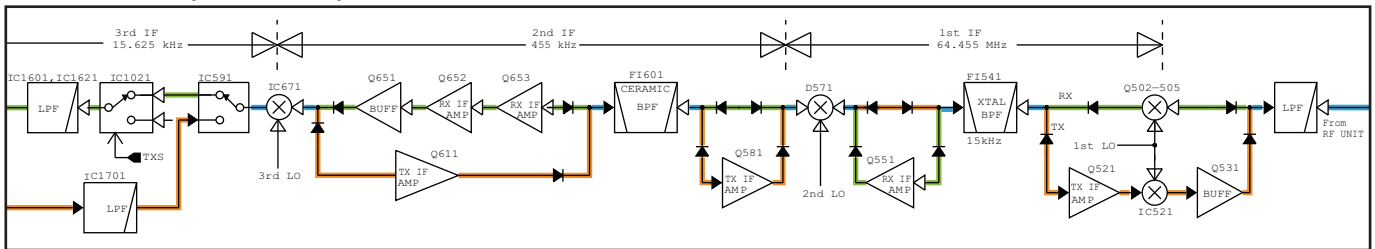
• MICROPHONE AMP CIRCUIT

The MIC signals from the FRONT UNIT are amplified by IC1031 and are applied to the DSP. The TX audio signals (MIC signals) are processed completely in the DSP (MIC gain adjust, compression, etc.) entirely, thus no analog circuits are required in this stage.

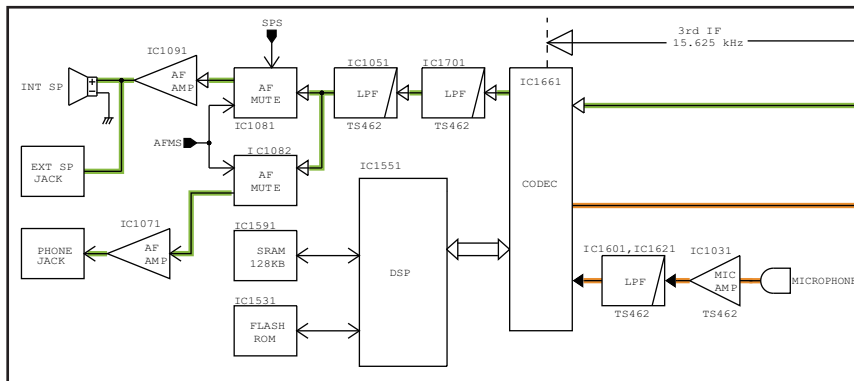
• TX IF CIRCUIT

The 15.625 kHz TX IF signal from the DSP section is converted into the 455 kHz TX IF signal by IC571, then amplified by the IF AMP (Q611). The amplified signal is filtered by FI601 to remove unwanted signals and amplified by Q581, then converted into the 64.455 MHz TX IF signal by D571, filtered by FI541 for unwanted signal removal. The 64.455 MHz signal is then amplified by Q521, and mixed with the 1st LO signals from the 1st LO AMP (Q501) by IC521 to be converted into the TX frequency. The converted signal is amplified by Q531 and applied to the YGR AMP.

- IF CIRCUITS (RX AND TX) -



- AF CIRCUITS (RX AND TX) -



• 1st LO GENERATOR CIRCUIT

DDS circuit is employed for LO signal generation; no PLL circuit is used with the IC-7200. This provides extremely high frequency stability against temperature and vibration.

The 32 MHz reference frequency signal from the TCXO (X2011) is buffer-amplified by Q2011 and amplified by IC2011. The 8th harmonic component (256 MHz) in the 32 MHz reference frequency signal is extracted and amplified by IC2151 to the level needed for the DDS. The amplified 256 MHz reference signal is applied to the DDS (IC2541) as the master clock signal.

The 32.2425–64.2275 MHz signals are output from the DDS, and doubled by D2572. The doubled signals are used as the 1st LO frequencies. The 1st LO signals are amplified by IC2601, filtered by the appropriate BPF to remove unwanted frequency components, then applied to the 1st LO AMP.

• OTHER LO GENERATOR CIRCUIT

The 32 MHz reference signal is also used for the another DDSs of 2nd and 3rd LO signal generation, as well as the DSP.

The 32 MHz reference signal from IC2011 is adjusted its wave form, and divided by two by IC2042, then the divided reference signal (16 MHz) is applied to the DDS (IC2043) as the master clock signal. The DDS outputs 439.375 kHz signal as the 3rd LO.

The doubled reference signal (64 MHz) signal is amplified by IC2091, and used as the 2nd LO.

• FREQUENCY CONFIGURATION

| IF Signal | Frequency | LO Signal | Frequency |
|-----------|------------|-----------|--------------------|
| 1st RX IF | 64.455 MHz | 1st RX LO | 64.485–124.455 MHz |
| 2nd RX IF | 455 kHz | 2nd RX LO | 64.000 MHz |
| 3rd RX IF | 15.625 kHz | 3rd RX LO | 439.375 kHz |
| 3rd TX IF | 15.625 kHz | 3rd TX LO | 439.375 kHz |
| 2nd TX IF | 455 kHz | 2nd TX LO | 64.000 MHz |
| 1st TX IF | 64.455 MHz | 1st TX LO | 64.485–124.455 MHz |
| TX signal | (*) | – | – |

*; Refer to "SPECIFICATIONS."

• USB CONTROLLER

By connecting the PC through the USB connector (J3202; type B), IC-7200 can be controlled by a PC. The communication with the PC is accomplished by connecting to the USB audio IC (IC3202) and UART bridge (IC3203) through the USB hub (IC3201).

IC3202 converts the analog AF signals into the digital audio signals (A/D conversion), and converts the digital audio signals from the PC into the analog AF signals (D/A conversion). IC3203 controls the transceiver from connected PC using CI-V commands.

3-3 PA UNIT

The PA UNIT is composed by power AMP which amplifies the YGR output signal from the RF UNIT to the TX output power, power supply line control circuits and cooling fan control circuit.

• POWER AMP

The TX signal from the RF UNIT is amplified by the pre-drive AMP (Q1) on the entire band (HF to 50MHz band). The amplified TX signal is passed through L1, and amplified by the push-pulled drive AMP (Q2, Q3). These AMPs (Q1 to Q3) are individually gain-adjusted so that the frequency characteristic of TX signal is flat one by feeding back the 180-degree phase-shifted signal.

The amplified TX signal from the drive AMP (Q2, Q3) is passed through L2 and applied to the power AMP (Q4, Q5). The TX signal is power-amplified to the 100 W (max.) of output power. The power-amplified TX signal is entered to the FILTER UNIT via J9, and passed through a BPF corresponds to the TX frequency.

• POWER SUPPLY LINE

When the power SW on the FRONT panel is pushed, Q7 turns RL1 ON and the 13.8 V DC is supplied to the "P14V" line.

• COOLING FAN CONTROL CIRCUIT

The cooling fan control circuit is also equipped on the PA UNIT. The cooling fan control voltage "FANV" is applied to the base terminal of Q131, and the change of the voltagage causes the rotation speed of cooling fan.

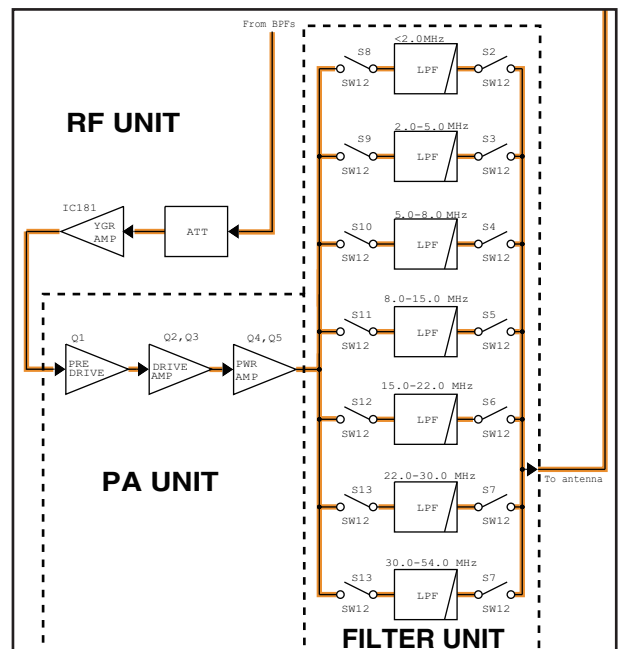
3-4 FILTER UNIT

The FILTER UNIT is composed by LPFs which reduces the harmonic components in the TX signal to be less than –50 dB.

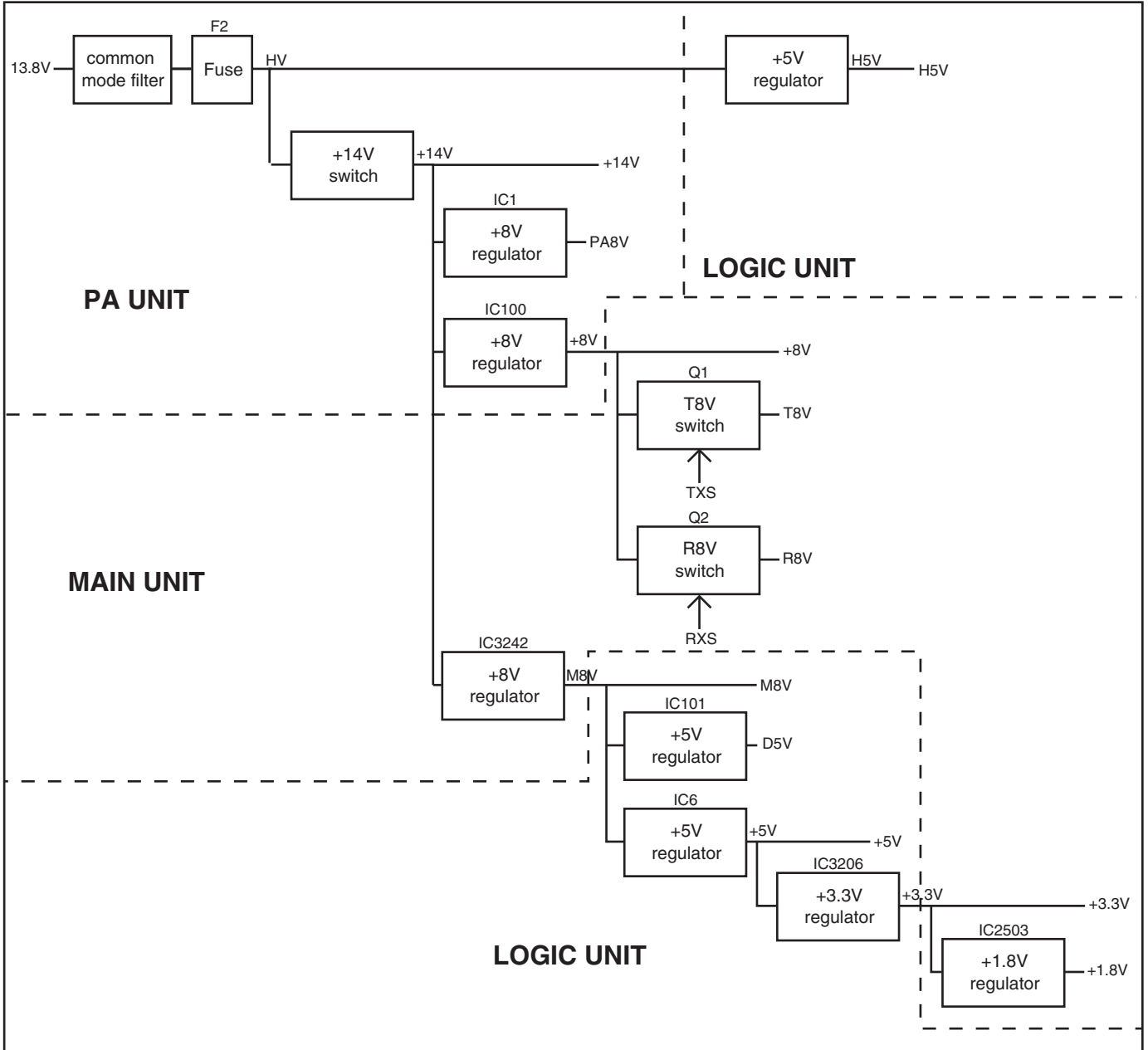
• LPF

The LPF stage is composed by seven Chebyshev-typed LPFs which have different cut-off frequencies. The TX signal passes through the one of 7 LPF according to the TX frequency. A switching relay is used for LPF selection on both input and output terminals for each LPF.

- TX AMPLIFIERS AND LPFs -



3-5 VOLTAGE BLOCK DIAGRAM



3-6 PORT ALLOCATIONS

• CPU (LOGIC UNIT: IC1)

| PIN No. | LINE NAME | SIGNAL DESCRIPTION | I/O | ACTIVE | | PULL-UP/ PULL-DOWN |
|-----------|-------------|---|-----|--------|----------------------------|-----------------------|
| 1 | DTFS | DSP data frame (TX) | O | H | – | – |
| 2 | DCK | DSP data clock | O | – | – | – |
| 3 | DRXS | DSP data (RX) | I | – | – | 47 kΩ pull-down |
| 4 | DTXS | DSP data (TX) | O | – | – | – |
| 5 | DRESL | DSP reset | O | L | DSP reset=L | 47 kΩ pull-down |
| 6 | BYTE | External bass width setting 16 bit=H, 8 bit=L, single chip=VSS | O | – | – | – |
| 8 | UPWS | USB HUB power supply control | O | H | USB turn ON=H | 47 kΩ pull-down |
| 9 | UMDS | USB modulation input line control | O | H | USB side=H, ACC side=L | – |
| 10 | RESET | Reset signal | I | L | Reset | 10 kΩ pull-up |
| 16 | EBUSY | CI-V buss busy input | I | – | edge interrupt | 100 kΩ pull-up |
| 17 | VBUS | USB VBUS detect | I | H | USB connect | – |
| 18 | PWRK | [PWR] key input | I | L | L=ON | 47 kΩ pull-up |
| 19 | BL2S | LCD back light DIMMER control | O | H | H: dark, L: bright | 47 kΩ pull-up |
| 20 | BL1S | LCD back light DIMMER control | O | H | H: dark, L: bright | 47 kΩ pull-up |
| 21 | USCK | USB HUB control (Clock) | O | L | data latch | – |
| 22 | USDA | USB HUB control (Data) | O | L | data=1 | – |
| 23 | RSB | [M-CH/RIT] dial phase B input (10 pulse/20 click) | I | H | pulse (DOWN: phase B gain) | 47 kΩ pull-up |
| 24 | RSA | [M-CH/RIT] dial phase A input (10 pulse/20 click) | I | H | pulse (UP: phase A gain) | 47 kΩ pull-up |
| 25 | MSA | [DIAL] phase A input | I | – | – | 220 kΩ pull-down |
| 26 | MSB | [DIAL] phase B input | I | – | H=down, L=up | 220 kΩ pull-down |
| 27 | TKEY | Key signal for optional tuner | I | L | – | 47 kΩ pull-up |
| 28 | TSTA | START signal for optional tuner | O | L | – | 10 kΩ pull-up |
| 33 | ETXD | CI-V output (CLONE output) | O | H | – | 100 kΩ pull-up |
| 34 | ERXD | CI-V input (CLONE input) | I | H | – | 100 kΩ pull-up |
| 35 | ESCK | EEPROM Clock | O | L | data latch (output) | 22 kΩ pull-up |
| 36 | ESDA | EEPROM Data | IO | L | – | 10 kΩ pull-up |
| 37 | RITD | RIT LED | O | H | turn on | 47 kΩ pull-down |
| 38 | TCON | Tuner connect detect | I | H | tunet connect | 1 MΩ pull-down |
| 40 | DISEN | LCD OFF | O | L | L=turn on, H=turn off | 100 kΩ pull-down |
| 41 | DISST | LCD driver serial chip enable | O | H | data transmitting | – |
| 42 | DISCK | LCD driver serial clock | O | – | data latch | – |
| 43 | DISDA | LCD driver serial data | O | H | data=1 | – |
| 45– 52 | KR7– KR0 | Key matrix input return | I | H | H: key pull down | 47 kΩ pull-down |
| 53 | PWRS | Power control | O | H | power ON=H | 47 kΩ pull-down |
| 54 | RXS | RX control | O | H | RX=H | 47 kΩ pull-down |
| 55 | TXS | TX control | O | H | TX=H | 47 kΩ pull-down |
| 56 | SNDS | External SEND control (via ACC socket) | O | L | except ACC SEND TX=L | 47 kΩ pull-up |
| 57 | BSTB | Strobe for shift register of MAIN | O | H | data renewal | – |
| 58 | ASTB1 | Strobe (1/2) for M62352GP (D/A) | O | H | data renewal | – |
| 59 | MCK | BAND relay system clock (shift register for RF, shift register for 1st LO filter) | O | – | data latch | – |
| 61 | MDAT | BAND relay system data (shift register for RF, shift register for 1LO filter) | O | H | data=1 | – |
| 63 | ASTB2 | Strobe (2/2) for M62352GP(D/A) | O | H | data renewal | – |
| 64 | 1CN0 | AD9951 (DDS for 1st LO) IO UPDATE | O | – | DDS output renewal | – |
| 65 | 3DST | AD9833 (DDS for 3rd LO) strobe | O | L | data transmitting | – |
| 66 | 1DST | AD9951 (DDS for 1st LO) strobe | O | L | data transmitting | – |
| 67 | MRESL | System reset (shift register for MAIN) | O | L | main system resetting =L | 47 kΩ pull-down |
| 68 | PRESL | DDS system reset (shift register for 1st LO filter, AD9951) | O | L | DDS system resetting=L | 47 kΩ pull-down |

• CPU (LOGIC UNIT: IC1) (continued)

| PIN No. | LINE NAME | SIGNAL DESCRIPTION | I/O | ACTIVE | | PULL-UP/ PULL-DOWN |
|---------|-----------|---|-----|--------|--------------------------------------|-----------------------|
| 69 | PDT | PLL+MAIN system data (M62352GP×2, AD9951, AD9833) | O | H | data=1 | – |
| 70 | PCK | PLL+MAIN system clock (M62352GP×2, AD9951, AD9833) | O | – | data latch | – |
| 71–75 | KS0–KS4 | Key matrix strobe output 0 | O | H | H strobe subject of interrupt | – |
| 76 | SQSS | Squelch signal (SQLS) output via the [ACC/MIC] terminal | O | H | open (mute OFF) | 47 kΩ pull-down |
| 77 | RTKI | Keying input for RTTY | I | H | H=SPACE (keying) | 47 kΩ pull-up |
| 78 | MSNDS | External SEND control (via MIC jack) | O | H | transmitting (except MIC SEND)=H | 47 kΩ pull-down |
| 79 | MNFL | Manual notch volume input | I | – | CCW=0 V, CW=5 V | – |
| 80 | DCVL | Power voltage loading | I | – | power voltage 5V convert | – |
| 81 | DOTK | DOT input (keying) | I | L | down=1.55 V, up=2.5 V | 47 kΩ pull-up |
| 82 | DASK | DASH input (keying) | I | L | down=1.55 V, up=2.5 V | 47 kΩ pull-up |
| 83 | IPD | Pre-driver current (sauce voltage) input | I | – | In proportional (Voltage vs Current) | – |
| 84 | IDL | Id (current) loading | I | – | In proportional (Voltage vs Current) | – |
| 85 | SNDL | SEND loading (from ACC socket) | I | L | Detect TX (less than 1.0 V) | – |
| 86 | ALML | ALC meter | I | – | 0 (min)–5 V (max) | – |
| 87 | REFL | REF voltage (SWR detection) | I | – | 0 (min)–5 V (max) | – |
| 88 | FORL | FOR voltafe (SWR detection) | I | – | 0 (min)–5 V (max) | – |
| 89 | FANL | PA UNIT temperature (thermo-sensor) | I | – | 0 (min)–5 V (max) | – |
| 90 | UDL | MIC UP/DOWN input | I | – | 0–5 V | – |
| 91 | PB2L | [TWIN PBT] volume (outer)input | I | – | CCW=0 V, CW=5 V | – |
| 92 | PB1L | [TWIN PBT] volume (inner)input | I | – | CCW=0 V, CW=5 V | – |
| 93 | RFGL | [SQL/RF] gain volume input | I | – | CCW=0 V, CW=5 V | – |
| 95 | AFGL | [AF gain] volume input | I | – | CCW=0 V, CW=5 V | – |
| 96 | VREF | A/D conversion reference voltage (=VCC1) | I | – | – | – |
| 98 | LOST | Strobe for shift register for 1st LO filter | O | H | – | – |
| 99 | MSNDL | SEND signal from [MIC] jack. | I | L | TX detect (less than 1.0 V) | – |
| 100 | DRFS | DSP data frame(RX) | O | H | – | – |

• SHIFT REGISTER (RF UNIT: IC141)

| LINE NAME | DESCRIPTION | ACTIVE |
|-----------|--|--------|
| B0S | BPF/LPF (0.030000–1.599999 MHz) select | H |
| B1S | BPF/LPF (1.600000–1.999999 MHz) select | H |
| B2S | BPF/LPF (2.000000–3.999999 MHz) select | H |
| B3S | BPF/LPF (4.000000–7.999999 MHz) select | H |
| B4S | BPF/LPF (8.000000–10.999999 MHz) select | H |
| B5S | BPF/LPF (11.000000–14.999999 MHz) select | H |
| B6S | BPF/LPF (15.000000–21.999999 MHz) select | H |
| B7S | BPF/LPF (22.000000–32.999999 MHz) select | H |

• SHIFT REGISTER (RF UNIT: IC142)

| LINE NAME | DESCRIPTION | ACTIVE |
|-----------|--|--------|
| AMS | AM mode select | H |
| B8WS | RX BPF/LPF (33.000000 MHz and higher) select | H |
| B8S | TX BPF/LPF (33.000000 MHz and higher) select | H |
| PROF | PREAMP OFF | H |
| PRON | PREAMP ON | H |
| ATTS | Attenuator control | L |
| L3S | LPF (5.000000–7.999999 MHz) select | H |
| L2S | LPF (2.000000–4.999999 MHz) select | H |

• SHIFT REGISTER (MAIN UNIT: IC2701)

| LINE NAME | DESCRIPTION | ACTIVE |
|-----------|--|--------|
| LOF0 | 1st LO filter (0.030000–14.999999 MHz) select | H |
| LOF1 | 1st LO filter (15.000000–29.999999 MHz) select | H |
| LOF2 | 1st LO filter (30.000000–44.999999 MHz) select | H |
| LOF3 | 1st LO filter (45.000000–54.000000 MHz) select | H |

• D/A CONVERTER (MAIN UNIT: IC1)

| LINE NAME | DESCRIPTION | |
|-----------|--|--|
| TRXS | Antenna switching (TX/RX) | TX, over input=5V, other conditions:0V |
| BAND | N/C (RF UNIT: CP502) | - |
| POCV | TX output power setting | 0 (TX low)–5V (TX high) |
| FANV | Cooling fan rotation speed control | 0 (Stop) –5V (max. speed) |
| ID1V | Idling current control (Pre-driver) | In proportional Voltage vs Current (IPD) |
| ID2V | Idling current control (driver 1/2) | In proportional Voltage vs Current (IDL) |
| ID3V | Idling current control (driver 2/2) | In proportional Voltage vs Current (IDL) |
| ID4V | Idling current control (Final AMP 1/2) | In proportional Voltage vs Current (IDL) |
| ID5V | Idling current control (Final AMP 2/2) | In proportional Voltage vs Current (IDL) |
| UNSB | N/C | – |
| DRVC | Drive gain control | – |
| ICCV | APC current adjustment | ALC line control |

• D/A CONVERTER (MAIN UNIT: IC2)

| LINE NAME | DESCRIPTION |
|-----------|-------------------------------|
| REFV | Reference fequency adjustment |
| VCT4 | RX 1st IF AMP tunig voltage |
| VCT5 | RX 1st IF AMP tunig voltage |
| AJLC | ALC control |

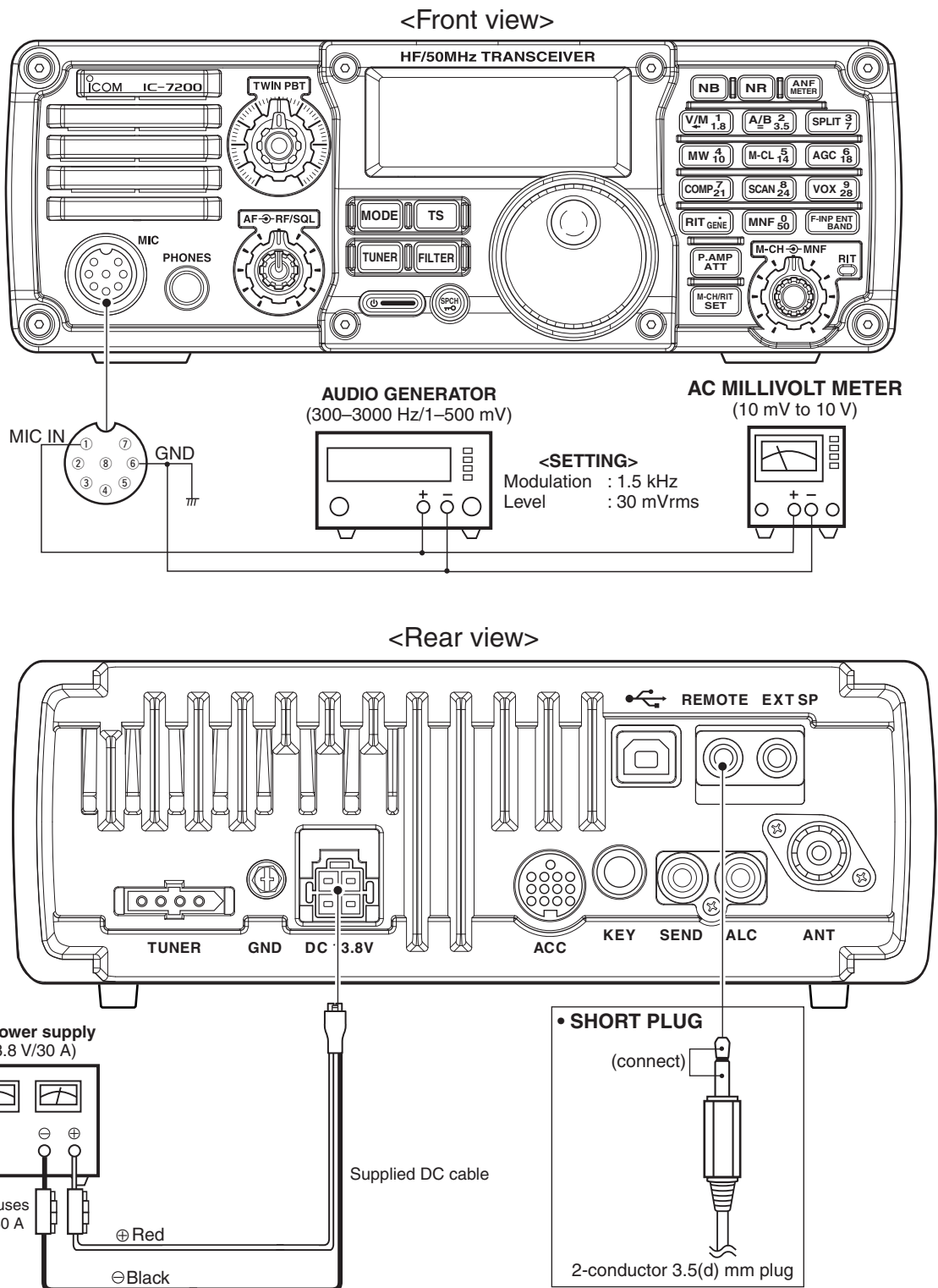
SECTION 4 ADJUSTMENT PROCEDURE

4-1 PREPARATION

REQUIRED EQUIPMENTS

| EQUIPMENT | SPECIFICATION | EQUIPMENT | SPECIFICATION |
|-------------------------------|---|---------------------------------|---|
| RF power (terminated type) | Measuring range : 5–120 W | DC Ammeter | Measuring range : 0.1–30 A |
| | Frequency range : 1.8–60 MHz | DC Voltmeter | Measuring range : 0.1–20 V |
| Frequency Counter | Impedance : 50 Ω | Standard Signal Generator (SSG) | Frequency range : 0.1–60 MHz |
| | Frequency range : 0.1–50 MHz | | Output level : 0.1 μV to 32 mV (–127 to –17 dBm) |
| 50 Ω Dummy Load | Frequency accuracy : ±0.5 ppm or better | 25 Ω Dummy Load | Impedance : 25 Ω |
| | Input level : Less than 1 mW | | Capacity : More than 100 W |
| | Impedance : 50 Ω | | |
| | Capacity : More than 100 W | | |

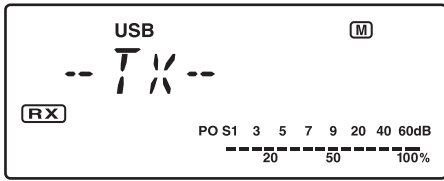
COMMON CONNECTION



ADJUSTMENT MODE

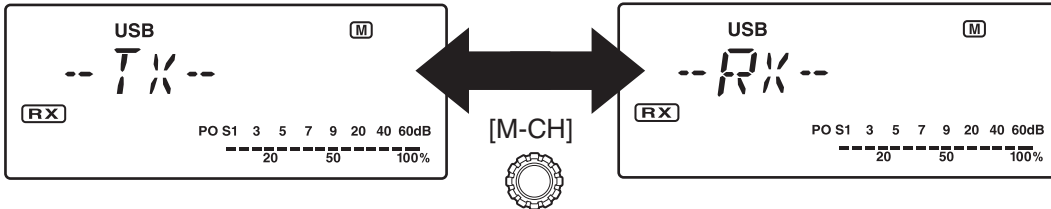
ENTERING ADJUSTMENT MODE

While pushing [NB] and [NR] keys, turn the power ON. Then the transceiver enters the adjustment mode.



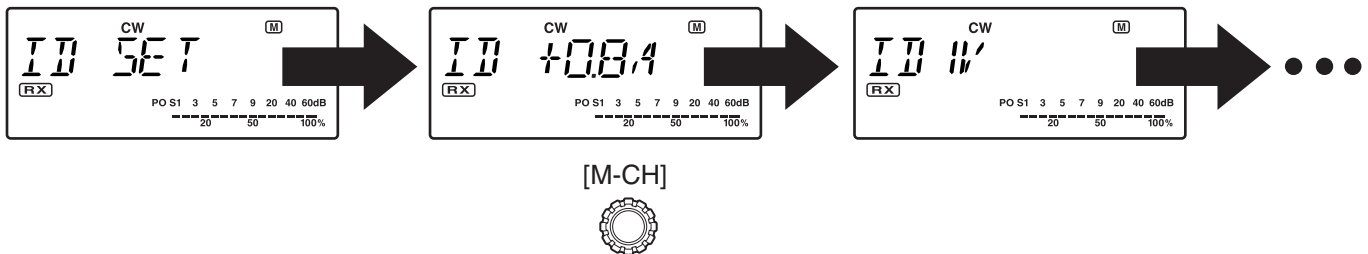
(Initial display)

Turn the [M-CH] control to toggle the adjustment main menu "TX" and "RX," and push [SET] key to select.



Turning the [M-CH] dial selects the adjustment for "TX" or "RX."

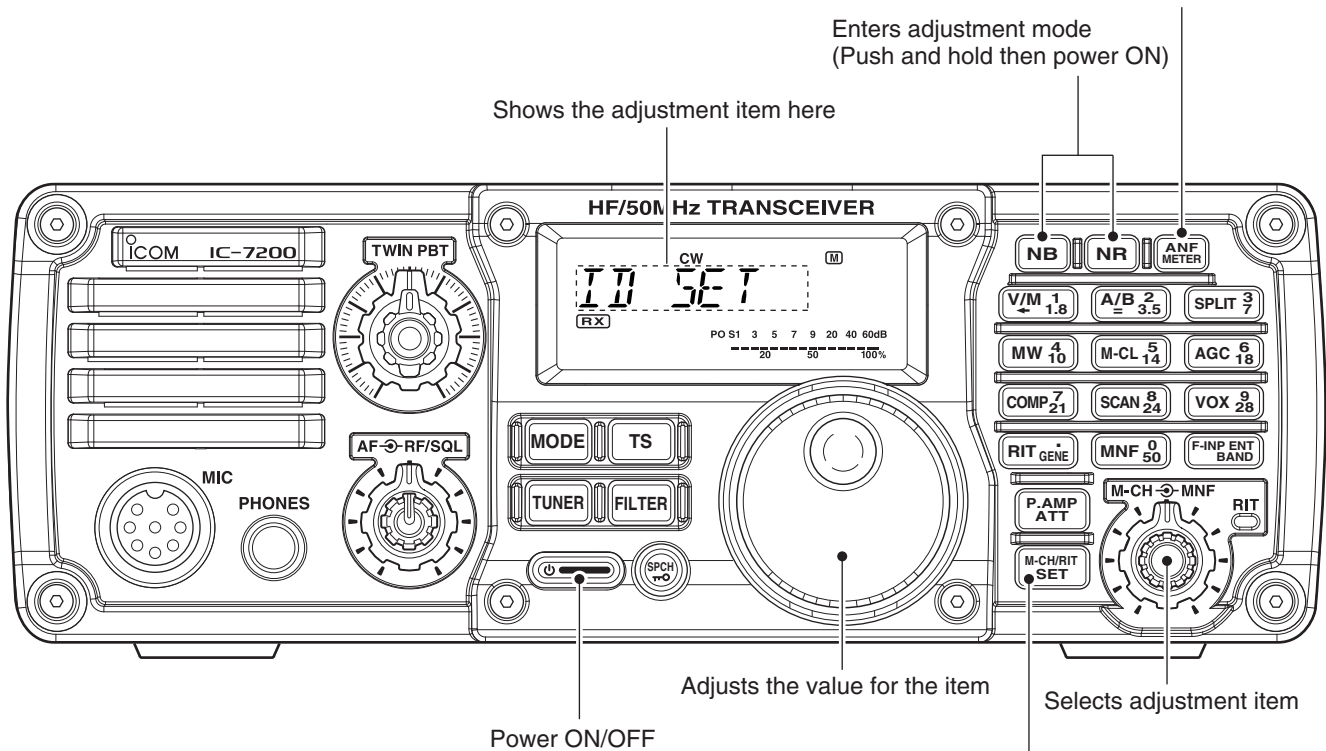
Turn the [M-CH] control to select each adjustment item, and push [SET] key to start.



Turning the [M-CH] dial selects each adjustment item.

KEY ASSIGNMENTS IN THE ADJUSTMENT MODE

- Returns to main menu (Push momentary)
- Quits adjustment mode (Push for 1 sec.)



- Stores the adjustment value
- Moves to next adjustment item

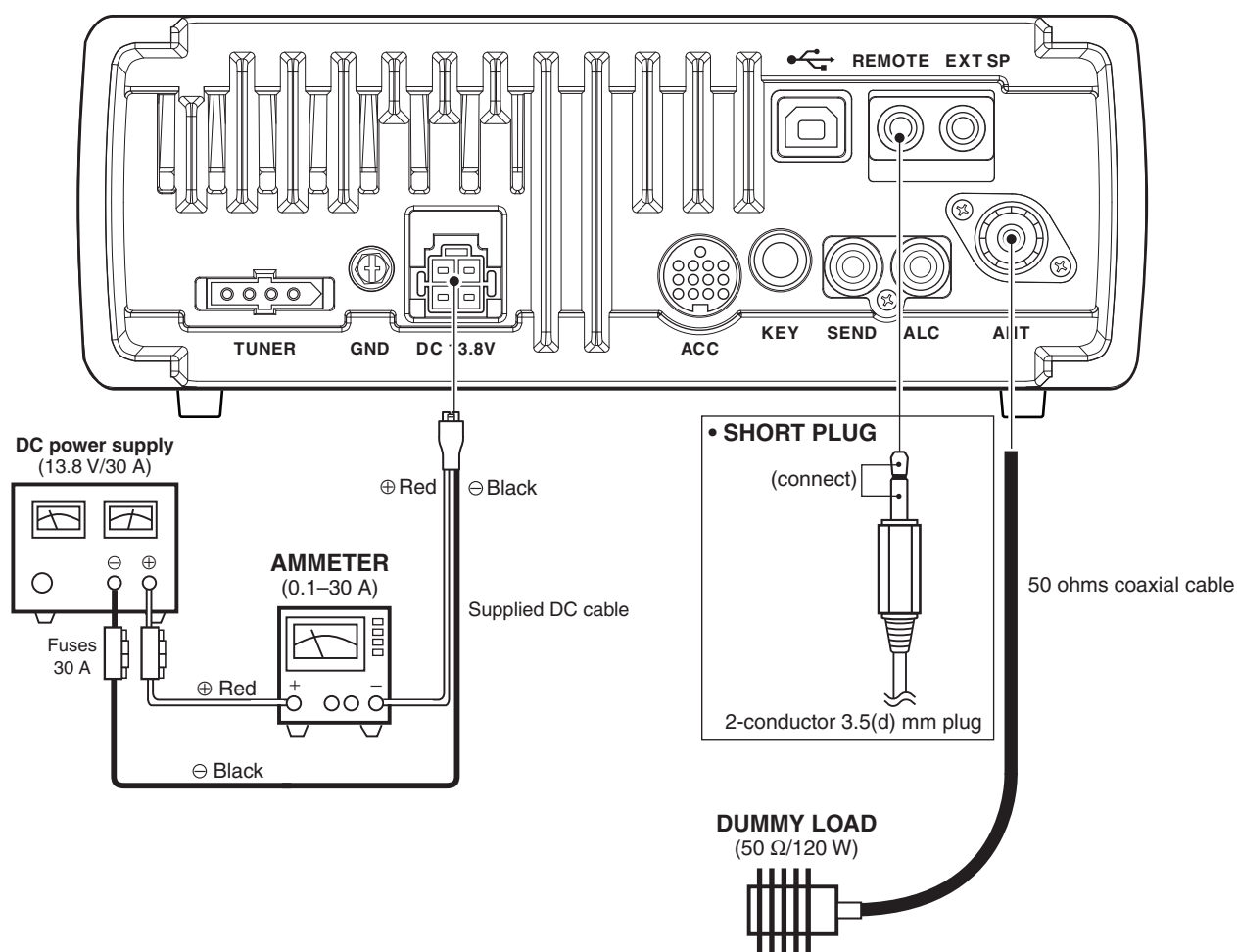
QUITTING ADJUSTMENT MODE

Push [ANF] for 1 sec.

4-2 ADJUSTMENT

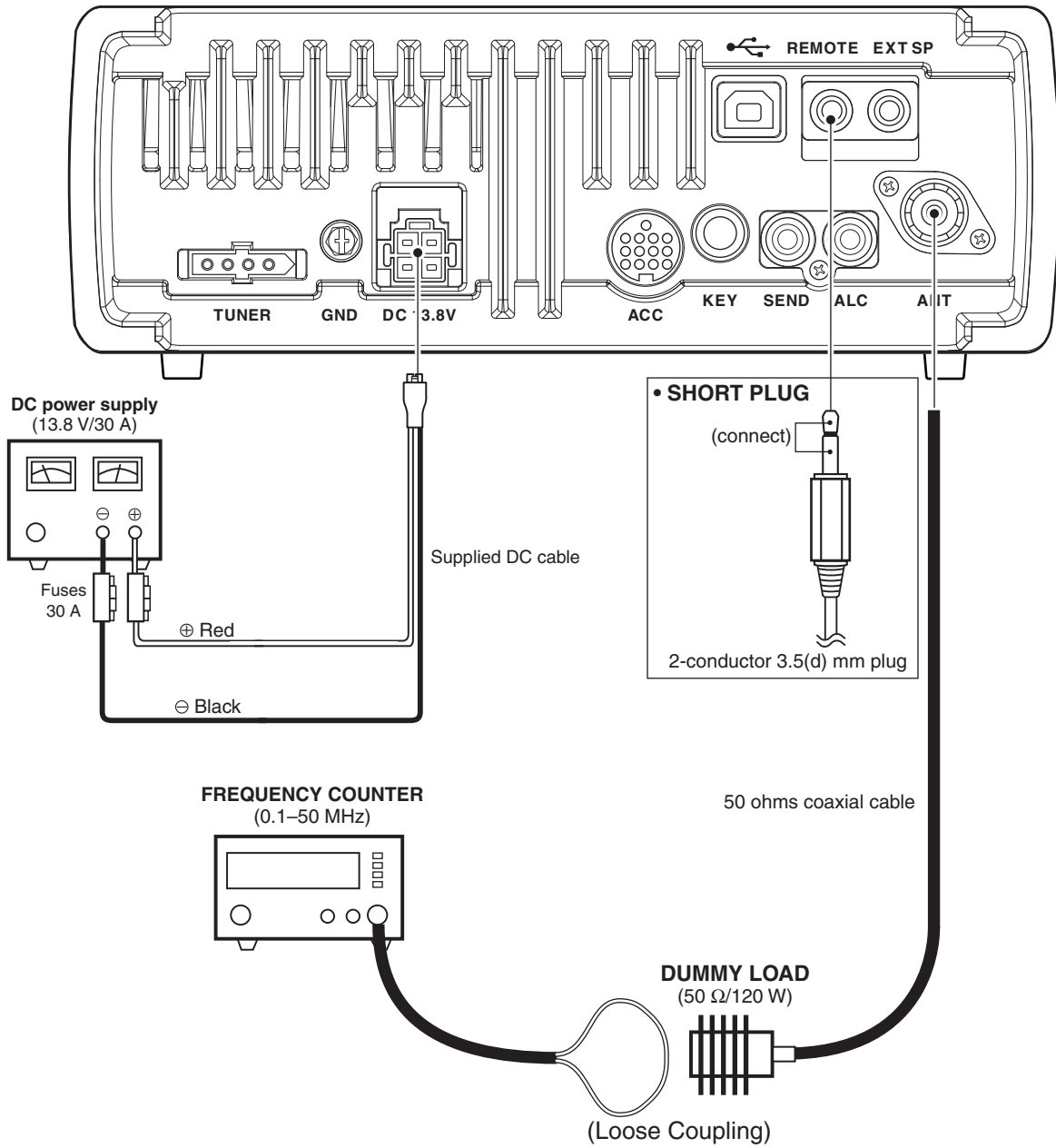
• TRANSMITTER ADJUSTMENT

| ADJUSTMENT | DISPLAYED ITEM | OPERATION | VALUE | |
|----------------|----------------|------------|--|----------------------------------|
| IDLING CURRENT | 1 | [ID SET] | • Push [SET] key. | — |
| | 2 | [ID +0.8A] | • Measure the driving current, and note it as the initial value. | (Note the driving current value) |
| | 3 | [ID1V] | • Push [SET] key. (Beep "Pi!" sounds) (After 2.5 sec., another beep "Pipi!" sounds) | — |
| | 4 | [ID2V] | 1) Adjust the idling current using [DIAL]. 2) Push [SET] key. | +0.8 A more than initial value |
| | 5 | [ID3V] | • Push [SET] key. (Beep "Pi!" sounds) (After 2.5 sec., another beep "Pipi!" sounds) | — |
| | 6 | [ID4V] | • Push [SET] key. (Beep "Pi!" sounds) (After 2.5 sec., another beep "Pipi!" sounds) | — |
| | 7 | [ID5V] | • Push [SET] key. (Beep "Pi!" sounds) (After 2.5 sec., another beep "Pipi!" sounds) | — |



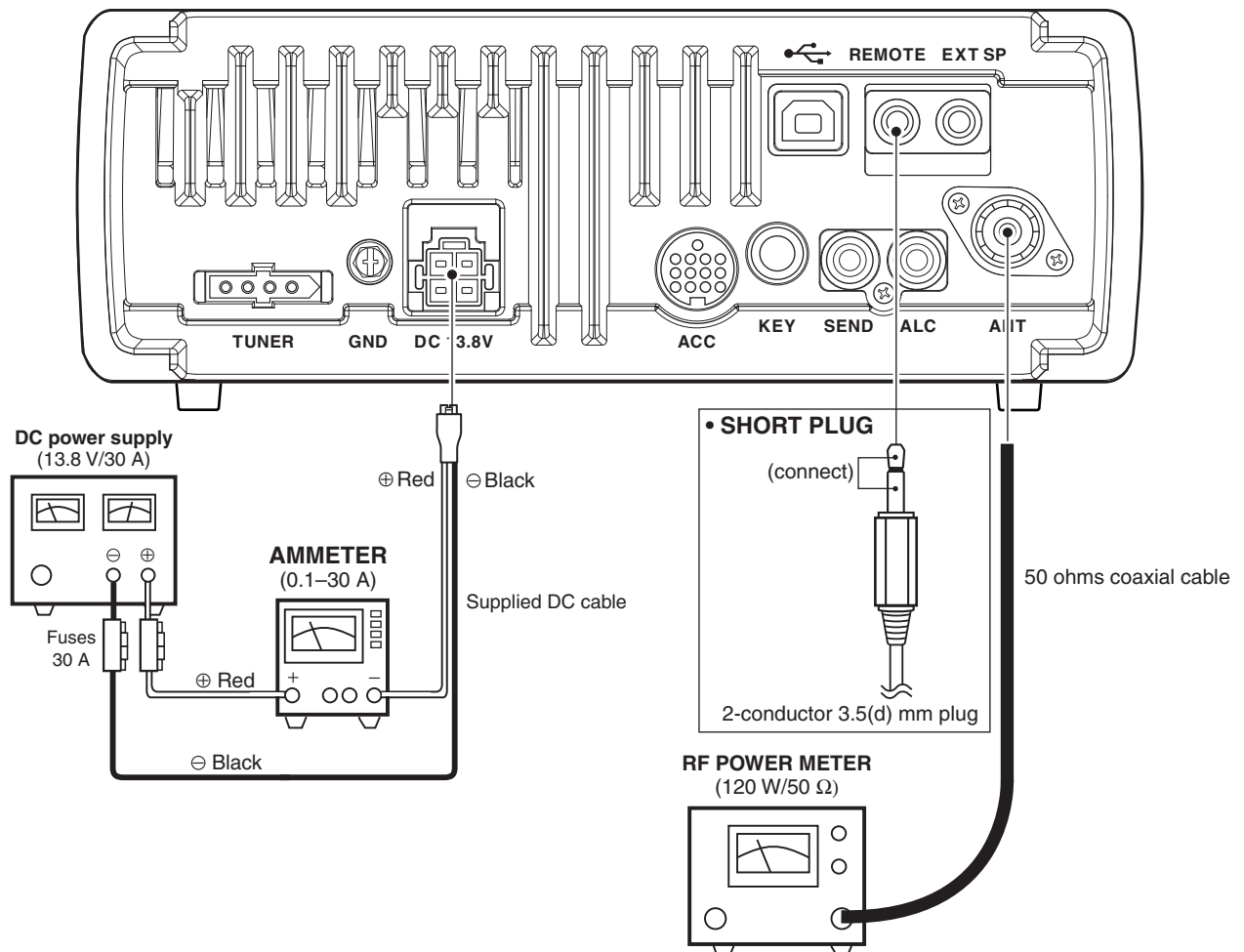
• TRANSMITTER ADJUSTMENT (continued)

| ADJUSTMENT | DISPLAYED ITEM | OPERATION | VALUE |
|---------------------|----------------|--|---------------|
| REFERENCE FREQUENCY | 1 | [REF SET] • Push [SET] key. | — |
| | 2 | [REF FREQ] 1) Adjust the frequency using [DIAL]. 2) Push [SET] key. | 29.999000 MHz |



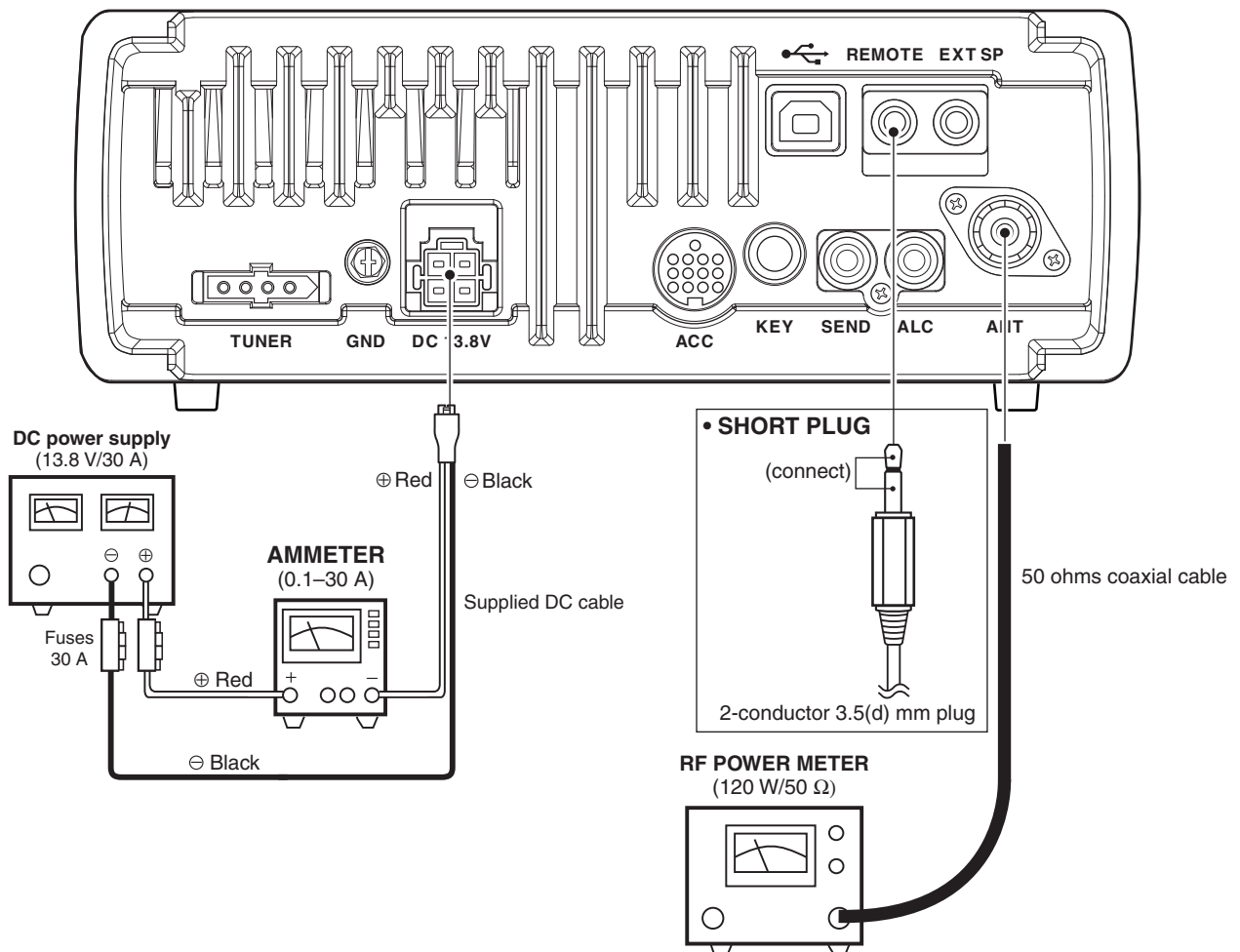
• TRANSMITTER ADJUSTMENT (continued)

| ADJUSTMENT | DISPLAYED ITEM | OPERATION | VALUE |
|-----------------------|--|---|------------------|
| VD TUNING (TX) | 1 [VCT SET] | 1) Connect an RF Power Meter to the antenna connector. 2) Push [SET] key. | - |
| | 2 [VCT3 TX] | • Select the item "TXG SET" with [M-CH] control. (Skip this item) | (Skip this item) |
| TX TOTAL GAIN | 1 [TXG SET] | • Push [SET] key. | - |
| | 2 [14.1 TXG] | 1) Connect an RF Power Meter to the Antenna connector. 2) Adjust the TX power using [DIAL]. 3) Push [SET] key. (The transceiver transmits automatically.) | 50 W |
| | 3 [1.91 TXG] | • Push [SET] key. (Beep "Pi!" sounds) (After 1.5 sec., another beep "Pipi!" sounds) | - |
| | 4 [28.5 TXG] | • Push [SET] key. (Beep "Pi!" sounds) (After 1.5 sec., another beep "Pipi!" sounds) | - |
| | 5 [51.0 TXG] | • Push [SET] key. (Beep "Pi!" sounds) (After 1.5 sec., another beep "Pipi!" sounds) | - |
| POWER METER (HF BAND) | NOTE: When the [PoHF SET] is adjusted, the [Po 50 SET] MUST be re-adjusted (or verified) too. | | |
| | 1 [PoHF SET] | • Push [SET] key. | - |
| | 2 [PoHF MIN] | 1) Connect an RF Power Meter to the Antenna connector. 2) Adjust the TX power using [DIAL]. 3) Push [SET] key. | 1 W |
| | 3 [PoHF 10] | 1) Adjust the TX power using [DIAL]. 2) Push [SET] key. | 10 W |
| | 4 [PoHF TUNE] | 1) Adjust the TX power using [DIAL]. 2) Push [SET] key. | 10 W |
| | 5 [PoHF 50] | 1) Adjust the TX power using [DIAL]. 2) Push [SET] key. | 50 W |
| | 6 [PoHF 75] | 1) Adjust the TX power using [DIAL]. 2) Push [SET] key. | 75 W |
| | 7 [PoHF MAX] | 1) Adjust the TX power using [DIAL]. 2) Push [SET] key. | 102 W |



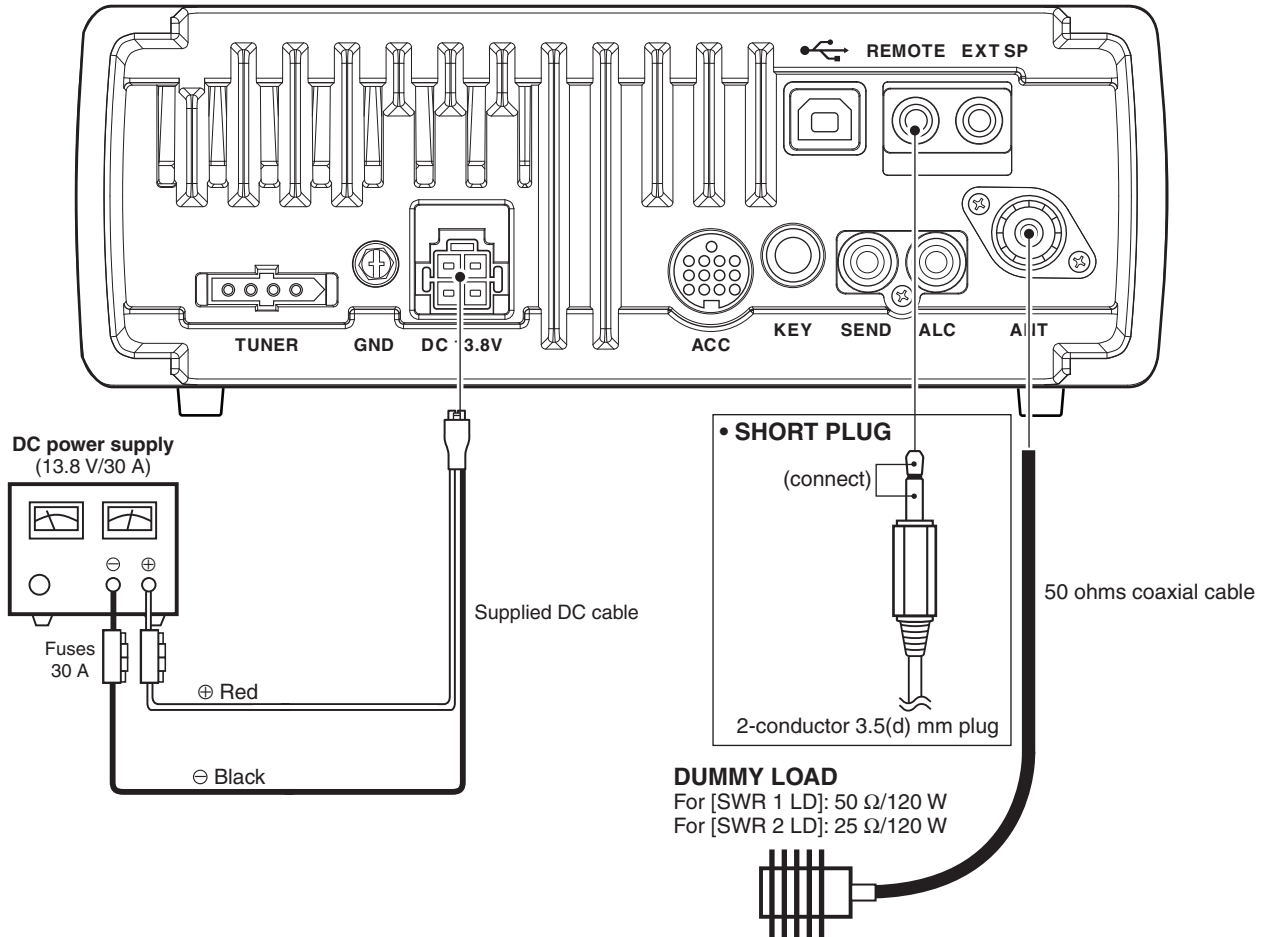
• TRANSMITTER ADJUSTMENT (continued)

| ADJUSTMENT | DISPLAYED ITEM | OPERATION | VALUE | |
|---------------------------|----------------|-------------|---|--------|
| POWER METER (50 MHz BAND) | 1 | [Po50 SET] | • Push [SET] key. | – |
| | 2 | [Po50 MIN] | 1) Connect an RF Power Meter to the Antenna connector. 2) Adjust the TX power using [DIAL]. 3) Push [SET] key. | 1 W |
| | 3 | [Po50 10] | 1) Adjust the TX power using [DIAL]. 2) Push [SET] key. | 10 W |
| | 4 | [Po50 TUNE] | 1) Adjust the TX power using [DIAL]. 2) Push [SET] key. | 10 W |
| | 5 | [Po50 50] | 1) Adjust the TX power using [DIAL]. 2) Push [SET] key. | 50 W |
| | 6 | [Po50 75] | 1) Adjust the TX power using [DIAL]. 2) Push [SET] key. | 75 W |
| | 7 | [Po50 MAX] | 1) Adjust the TX power using [DIAL]. 2) Push [SET] key. | 100 W |
| POCV RATIO (AM) | 1 | [AM R SET] | • Push [SET] key. | – |
| | 2 | [AM RATIO] | 1) Connect an RF Power Meter to the Antenna connector. 2) Adjust the TX power using [DIAL]. 3) Push [SET] key. | 27.5 W |
| ALC METER | 1 | [AL-M SET] | 1) Connect an RF Power Meter (or a Dummy Load) to the Antenna connector. 2) Push [SET] key. (Beep "Pi!" sounds) (After 1 sec., another beep "Pipi!" sounds) | – |
| DRIVE GAIN | 1 | [DRV SET] | 1) Connect an RF Power Meter (or a Dummy Load) to the Antenna connector. 2) Push [SET] key. (Beep "Pi!" sounds) (After 1 sec., another beep "Pipi!" sounds) | – |



• TRANSMITTER ADJUSTMENT (continued)

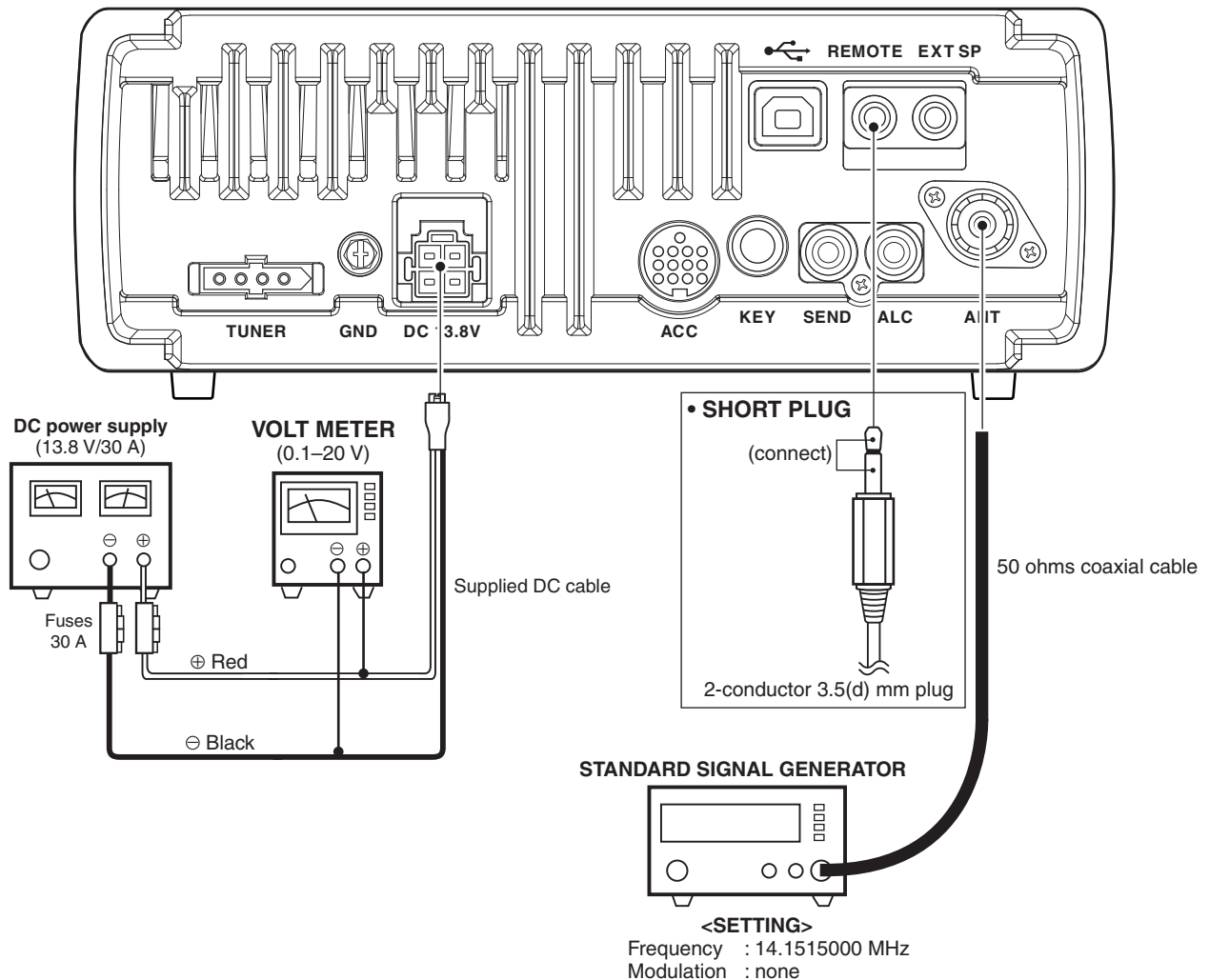
| ADJUSTMENT | DISPLAYED ITEM | OPERATION | VALUE |
|--------------|-----------------|--|-------|
| SWR METER | 1 [SWR 1 LD] | 1) Connect a 50 Ω Dummy Load to the Antenna connector. 2) Push [SET] key. (Beep "Pi!" sounds) (After 1 sec., another beep "Pipi!" sounds) | — |
| | 2 [SWR 2 LD] | 1) Connect a 25 Ω Dummy Load to the Antenna connector. 2) Push [SET] key. (Beep "Pi!" sounds) (After 1 sec., another beep "Pipi!" sounds) | — |
| ID-APC CHECK | 1 [IDAPC CK] | 1) Connect a 25 ohms Dummy Load to the Antenna connector. 2) Push [SET] key. (Beep "Pi!" sounds) (Another beep "Pipi!" sounds, then "TX" is displayed) | — |



• RECEIVER ADJUSTMENTS

| ADJUSTMENT | DISPLAYED ITEM | OPERATION | VALUE |
|--------------------------|----------------|---|------------------|
| PREPARATION | [RX] | 1) Connect an SSG to the Antenna connector, and set as; • Frequency : 14.1515000 MHz • Modulation : None • Level : +34 dBμ (-73 dBm) 2) Select the adjustment main menu "RX," using [M-CH] control. 3) Push [SET] key. | - |
| PBT DIAL CENTER POSITION | 1 [TWIN PBT] | 1) Set [PBT1] and [PBT2] controls to the center position. 2) Push [SET] key. (Beep "Pipi!" sounds) | - |
| REFERENCE VOLTAGE | 1 [13.8 SET] | 1) Connect a Voltmeter to the DC power cable. 2) Verify that the measured voltage is "13.8 V." 3) Push [SET] key. | 13.8 V |
| VD TUNING (RX) | 1 [VCT2 RX] | • Push [SET] key. (Beep "Pi!" sounds) (After 1 sec., another beep "Pipi!" sounds) | - |
| | 2 [VCT1 RX] | • Push [SET] key. (Beep "Pi!" sounds) (After 1 sec., another beep "Pipi!" sounds) | - |
| | 3 [VCT3 RX] | • Select the item "RX GAIN" with [M-CH] control. (Skip this item) | (Skip this item) |
| RX TOTAL GAIN | 1 [RX GAIN] | NOTE: NEVER change the SSG's condition until the beep sounds. • Push [SET] key. (Beep "Pi!" sounds) (After 30 sec., another beep "Pipi!" sounds) | - |
| | 1 [S0 LEVEL] | • Select the item "S9 LEVEL" with [M-CH] control. (Skip this item) | (Skip this item) |
| S-METER | 2 [S9 LEVEL] | • Push [SET] key. (Beep "Pi!" sounds) (After 1 sec., another beep "Pipi!" sounds) | - |
| | 3 [+60 LEVEL] | 1) Set the SSG as; • Level : +90 dBμ 2) Push [SET] key. (Beep "Pi!" sounds) (After 1 sec., another beep "Pipi!" sounds, then "RX" is displayed.) | - |

When the adjustment is finished, push [ANF] key for 1 sec. to quit adjustment mode.



SECTION 5

PARTS LIST

[MAIN UNIT]

| REF NO. | PARTS NO. | DESCRIPTION | M. | H/V LOCATION |
|---------|------------|----------------------------------|----|--------------|
| IC1 | 1110004310 | S.IC M62352GP 75EC | T | 164.8/26.3 |
| IC2 | 1110004310 | S.IC M62352GP 75EC | T | 103.2/70.8 |
| IC4 | 1110003800 | S.IC NJM2904V-TE1-#FMZB | T | 192.1/31 |
| IC521 | 1110005461 | S.IC TA4107F(TE12L,F) | T | 144.8/38.6 |
| IC591 | 1130008511 | S.IC TC7W53FU(TE12L,F) | T | 78.1/41.9 |
| IC671 | 1130014270 | S.IC TSSA2053DCTR | T | 70.9/35.9 |
| IC672 | 1130014260 | S.IC SN74LVC2GU04DCKR | T | 73.9/29.3 |
| IC1021 | 1130008511 | S.IC TC7W53FU(TE12L,F) | T | 58/47.1 |
| IC1031 | 1110006570 | S.IC TS462CPT | T | 55.2/38.7 |
| IC1032 | 1130008511 | S.IC TC7W53FU(TE12L,F) | T | 103/16.3 |
| IC1051 | 1110006570 | S.IC TS462CPT | T | 18.1/79.5 |
| IC1081 | 1130008511 | S.IC TC7W53FU(TE12L,F) | T | 162.5/95.6 |
| IC1082 | 1130008511 | S.IC TC7W53FU(TE12L,F) | T | 5.6/77.5 |
| IC1091 | 1110003091 | IC LA4425A-E | T | |
| IC1501 | 1180003230 | S.REG TK68112AMFG0L | T | 31/73 |
| IC1511 | 1130012600 | S.IC SN74AHC1G04DCKR | T | 61.6/35.7 |
| IC1521 | 1180002020 | S.REG BA033FP-E2 | T | 27/84.6 |
| IC1531 | 1130014951 | S.IC AT26DF081A-SSU (SX-3015B-1) | T | 46.6/38.3 |
| IC1551 | 1140013590 | S.IC ADSP-BF532SBSTZ400 | T | 50.3/18.6 |
| IC1591 | 1130013560 | S.IC LY61L6416ML-15 | T | 78.4/17.1 |
| IC1601 | 1110006570 | S.IC TS462CPT | T | 44.5/46.9 |
| IC1621 | 1110006570 | S.IC TS462CPT | T | 38.9/55.7 |
| IC1641 | 1110006570 | S.IC TS462CPT | T | 50.1/55.7 |
| IC1661 | 1190002650 | S.IC AK4620BVFP-E2/P | T | 22.9/57.6 |
| IC1681 | 1130011820 | S.IC SN74LVC245APWR | T | 8.9/56.4 |
| IC1691 | 1130013590 | S.IC SN74AHC1G126DCKR | T | 32.2/25.5 |
| IC1692 | 1110004770 | S.IC BU9480F-E2 | T | 14.7/88.9 |
| IC1701 | 1110006570 | S.IC TS462CPT | T | 10.5/70.9 |
| IC2011 | 1110006870 | S.IC UPC2709TB-E3 | T | 71.8/80.1 |
| IC2041 | 1130012610 | S.IC SN74AHC1GU04DCKR | T | 72.9/69.7 |
| IC2042 | 1130013440 | S.IC SN74LVC2G74DCTR | T | 69.3/67.7 |
| IC2043 | 1190001811 | S.IC AD9833BRMZ | T | 74.4/58.7 |
| IC2091 | 1110006870 | S.IC UPC2709TB-E3 | T | 80.3/66.2 |
| IC2151 | 1110006870 | S.IC UPC2709TB-E3 | T | 41.4/77 |
| IC2501 | 1130012850 | S.IC SN74LVC3G34DCUR | T | 52/78.3 |
| IC2502 | 1130012781 | S.IC SN74AHC2G04HDC3T 0 | T | 51.4/82.8 |
| IC2503 | 1180003220 | S.REG TK68118AMFG0L | T | 37/81.9 |
| IC2541 | 1190002101 | S.IC AD9951YSVZ | T | 44.2/92.7 |
| IC2601 | 1110006870 | S.IC UPC2709TB-E3 | T | 97/93.5 |
| IC2701 | 1130011760 | S.IC CD0494BPWR | T | 103.2/80.5 |
| IC3201 | 1190002261 | S.IC USB2502-AEZG | T | 179/59.5 |
| IC3202 | 1190002240 | S.IC PCM2901E/2K | T | 177.3/39.9 |
| IC3203 | 1190002730 | S.IC CP2102GMR | T | 178.1/69.9 |
| IC3204 | 1130005721 | S.IC TC7W04F(TE12L,F) | T | 171.1/70.6 |
| IC3205 | 1130010461 | S.IC TC7S08FU(TE85L,JF) | T | 169/61.9 |
| IC3206 | 1180003240 | S.REG TK68133AMFG0L | T | 193.6/59 |
| IC3207 | 1180003240 | S.REG TK68133AMFG0L | T | 188/59 |
| IC3242 | 1180003330 | REG TA7808F(Q) 0 | T | |
| Q1 | 1590001960 | S.TRA XP4311(TX) | T | 122.8/18.3 |
| Q2 | 1590001960 | S.TRA XP4311(TX) | T | 117.3/19 |
| Q501 | 1530002680 | S.TRA 2S3C357-T1 | T | 157.1/76.8 |
| Q502 | 1560000641 | S.FET 2SK1740-4/5-TB-E | T | 157.9/38.8 |
| Q503 | 1560000641 | S.FET 2SK1740-4/5-TB-E | T | 157.9/41.9 |
| Q504 | 1560000641 | S.FET 2SK1740-4/5-TB-E | T | 153.8/41.9 |
| Q505 | 1560000641 | S.FET 2SK1740-4/5-TB-E | T | 153.8/38.8 |
| Q506 | 1590001960 | S.TRA XP4311(TX) | T | 162.5/51.1 |
| Q521 | 1580000820 | S.FET 3SK264-5-TG-E | T | 142.3/50.9 |
| Q531 | 1530002371 | S.TRA 2SC2714-O(TE85R,F) | T | 146.4/29 |
| Q551 | 1580000820 | S.FET 3SK264-5-TG-E | T | 134.3/49.6 |
| Q581 | 1580000820 | S.FET 3SK264-5-TG-E | T | 115.5/25.3 |
| Q611 | 1580000820 | S.FET 3SK264-5-TG-E | T | 89.7/32 |
| Q651 | 1530002060 | S.TRA 2SC4081 T106 R | T | 85.8/44.2 |
| Q652 | 1580000820 | S.FET 3SK264-5-TG-E | T | 92.4/50.3 |
| Q653 | 1580000820 | S.FET 3SK264-5-TG-E | T | 98.3/42.6 |
| Q654 | 1530002060 | S.TRA 2SC4081 T106 R | T | 87.5/56.2 |
| Q1531 | 1590001960 | S.TRA XP4311(TX) | T | 26.9/71.1 |
| Q2011 | 1530002371 | S.TRA 2SC2714-O(TE85R,F) | T | 65.8/80.5 |
| Q2701 | 1590001960 | S.TRA XP4311(TX) | T | 145.4/92.5 |
| Q2702 | 1590001960 | S.TRA XP4311(TX) | T | 145.4/88.9 |
| Q2703 | 1590001960 | S.TRA XP4311(TX) | T | 145.4/78.9 |
| Q2704 | 1590001960 | S.TRA XP4311(TX) | T | 145.4/75.3 |
| Q3201 | 1590001650 | S.TRA XP4601(TX) | T | 164.5/70.9 |
| Q3202 | 1590001960 | S.TRA XP4311(TX) | T | 177.2/64.3 |
| D1 | 1790001250 | S.DIO MA2S111-(TX) | T | 192.3/35.1 |
| D31 | 1790001250 | S.DIO MA2S111-(TX) | T | 22.3/4.8 |
| D41 | 1790001250 | S.DIO MA2S111-(TX) | T | 18.6/1.6 |
| D501 | 1790001260 | S.DIO MA2S077-(TX) | T | 166.4/47.1 |
| D521 | 1790001260 | S.DIO MA2S077-(TX) | T | 155.7/60.1 |
| D522 | 1790001260 | S.DIO MA2S077-(TX) | T | 153/59.4 |
| D523 | 1790001260 | S.DIO MA2S077-(TX) | T | 148.1/25.8 |
| D524 | 1790001260 | S.DIO MA2S077-(TX) | T | 144.8/25.9 |
| D525 | 1790001260 | S.DIO MA2S077-(TX) | T | 148.3/44.6 |
| D551 | 1790001260 | S.DIO MA2S077-(TX) | T | 124.3/62.2 |
| D552 | 1790001260 | S.DIO MA2S077-(TX) | T | 123.3/59.7 |
| D553 | 1790001260 | S.DIO MA2S077-(TX) | T | 125.1/59.8 |
| D554 | 1790001260 | S.DIO MA2S077-(TX) | T | 124.4/44.2 |
| D571 | 1750000431 | S.DIO HSB88WSTR-E | T | 113.4/53.2 |
| D581 | 1790001260 | S.DIO MA2S077-(TX) | T | 118.5/39.7 |
| D582 | 1790001260 | S.DIO MA2S077-(TX) | T | 118.5/41.5 |
| D583 | 1790001260 | S.DIO MA2S077-(TX) | T | 112.2/30.5 |
| D584 | 1790001260 | S.DIO MA2S077-(TX) | T | 109.7/31.1 |
| D611 | 1790001260 | S.DIO MA2S077-(TX) | T | 93.3/35.7 |
| D621 | 1790001260 | S.DIO MA2S077-(TX) | T | 82/36.3 |
| D641 | 1790001260 | S.DIO MA2S077-(TX) | T | 96/38 |

[MAIN UNIT]

| REF NO. | PARTS NO. | DESCRIPTION | M. | H/V LOCATION |
|---------|------------|------------------------------------|----|--------------|
| D671 | 1790001260 | S.DIO MA2S077-(TX) | T | 81.4/39.7 |
| D1082 | 1790001240 | S.DIO MA2S728-(TX) | T | 160.1/94.5 |
| D1084 | 1790001240 | S.DIO MA2S728-(TX) | T | 158.9/94.5 |
| D2572 | 1750000620 | S.DIO MA717WK(TX) | T | 79.9/92.7 |
| D2594 | 1790001621 | S.DIO 1SV308(TPL3,F) | T | 54/94.4 |
| D2595 | 1790001621 | S.DIO 1SV308(TPL3,F) | T | 71.2/98.6 |
| D2596 | 1790001621 | S.DIO 1SV308(TPL3,F) | T | 71.2/97.4 |
| D2597 | 1790001621 | S.DIO 1SV308(TPL3,F) | T | 67.9/93.2 |
| D2801 | 1790001621 | S.DIO 1SV308(TPL3,F) | T | 115.5/98.5 |
| D2802 | 1790001621 | S.DIO 1SV308(TPL3,F) | T | 141.1/97.2 |
| D2851 | 1790001621 | S.DIO 1SV308(TPL3,F) | T | 115.8/92.8 |
| D2852 | 1790001621 | S.DIO 1SV308(TPL3,F) | T | 141.1/90.4 |
| D2901 | 1790001621 | S.DIO 1SV308(TPL3,F) | T | 115.8/86 |
| D2902 | 1790001621 | S.DIO 1SV308(TPL3,F) | T | 141.1/83.6 |
| D2951 | 1790001621 | S.DIO 1SV308(TPL3,F) | T | 115.8/79.2 |
| D2952 | 1790001621 | S.DIO 1SV308(TPL3,F) | T | 141.1/76.8 |
| D2955 | 1720000811 | S.VAR HVC358BTRF-E | T | 133/54.4 |
| D2956 | 1720000811 | S.VAR HVC358BTRF-E | T | 135.1/43.4 |
| D3201 | 1790001240 | S.DIO MA2S728-(TX) | T | 174.8/62.6 |
| D3202 | 1790001240 | S.DIO MA2S728-(TX) | T | 173.6/62.3 |
| D3203 | 1790001250 | S.DIO MA2S111-(TX) | T | 164.3/74.3 |
| FI541 | 2010002720 | S.XTA DSF753SBF 64.455 MHz(FL-421) | T | 140/65 |
| FI601 | 2020001330 | CER CFWLA455KHFA-B0 (CFWS455HT) | T | |
| X2011 | 6050012560 | S.XTA CR-770B DSA321SD 32 MHz | T | 62.8/79.6 |
| X3201 | 6050012780 | S.XTA CR-871 DSX321G 24 MHz | T | 178.5/52.1 |
| X3202 | 6050012770 | S.XTA CR-870 DSX321G 12 MHz | T | 177.1/32.2 |
| L1 | 6200007790 | S.COI LQW2BHNR15J03L | T | 141.6/22.6 |
| L2 | 6200002431 | S.COI NLV25T-082J | T | 144.4/23.1 |
| L63 | 6200002041 | S.COI NLV25T-101J | T | 161.3/27.6 |
| L501 | 6200003281 | S.COI NLV25T-2R2J | T | 161.5/41.4 |
| L503 | 6140002810 | S.COI LR-317 | T | 165.1/41.4 |
| L504 | 6140004680 | S.COI LR-528 4KBL | T | 155/29.7 |
| L505 | 6140004680 | S.COI LR-528 4KBL | T | 156/49.1 |
| L506 | 6200003261 | S.COI NLV32T-101J | T | 162.5/48.2 |
| L507 | 6200013240 | S.COI C2012C-R68J-A | T | 159.7/44.5 |
| L508 | 6200013240 | S.COI C2012C-R68J-A | T | 153.8/44.5 |
| L509 | 6200007760 | S.COI LQW2BHNR2NJ03L | T | 154.7/55 |
| L510 | 6200007800 | S.COI LQW2BHNR18J03L | T | 157.5/55.8 |
| L511 | 6200002041 | S.COI NLV25T-101J | T | 161.7/59.1 |
| L517 | 6200002631 | S.COI NLV25T-R10J | T | 160.3/72 |
| L521 | 6200009861 | S.COI NLV25T-1R5J | T | 141.7/45.4 |
| L522 | 6200003261 | S.COI NLV32T-101J | T | 140/28.9 |
| L523 | 6200003261 | S.COI NLV32T-101J | T | 149.6/52.5 |
| L524 | 6200005011 | S.COI NLV25T-100J | T | 141.3/57.6 |
| L525 | 6200002041 | S.COI NLV25T-101J | T | 141.6/34.1 |
| L526 | 6200003261 | S.COI NLV32T-101J | T | 163/56.3 |
| L527 | 6200002181 | S.COI NLV25T-R12J | T | 156.1/63.9 |
| L528 | 6200002041 | S.COI NLV25T-101J | T | 141.5/37 |
| L529 | 6200002041 | S.COI NLV25T-101J | T | 139/41.1 |
| L530 | 6200003261 | S.COI NLV32T-101J | T | 151.2/21.6 |
| L534 | 6200003261 | S.COI NLV32T-101J | T | 148.9/32.8 |
| L541 | 6140004710 | S.COI LR-531 4KBL-S070834 | T | 149.8/64.4 |
| L542 | 6140004710 | S.COI LR-531 4KBL-S070834 | T | 130.1/63.8 |
| L549 | 6200002631 | S.COI NLV25T-R10J | T | 148.3/40 |
| L551 | 6150004280 | COI LS-484B (C-14927) | T | |
| L552 | 6150004280 | COI LS-484B (C-14927) | T | |
| L571 | 6140004680 | S.COI LR-528 4KBL | T | 119.1/53.2 |
| L572 | 6140002810 | S.COI LR-317 | T | 106.4/53.2 |
| L581 | 6150005420 | COI LS-554 7QM | T | |
| L582 | 6200003520 | S.COI ELJFB 102K-F | T | 109.3/25.5 |
| L583 | 6150005410 | COI LS-553 7QM | T | |
| L585 | 6200003520 | S.COI ELJFB 102K-F | T | 91.3/42.9 |
| L586 | 6200003261 | S.COI NLV32T-101J | T | 69/42.5 |
| L600 | 6200003520 | S.COI ELJFB 102K-F | T | 72.2/45.8 |
| L603 | 6200002601 | S.COI NLV25T-047J | T | 167/54.4 |
| L604 | 6200002421 | S.COI NLV25T-068J | T | 166.4/50.5 |
| L615 | 6200003520 | S.COI ELJFB 102K-F | T | 93.1/28.5 |
| L651 | 6200003520 | S.COI ELJFB 102K-F | T | 97/48.8 |
| L652 | 6200003520 | S.COI ELJFB 102K-F | T | 85.2/49.5 |
| L671 | 6200003261 | S.COI NLV32T-101J | T | 69.8/29.9 |
| L672 | 6200005521 | S.COI NLV25T-470J | T | 79.1/30.9 |
| L673 | 6140004680 | S.COI LR-528 4KBL | T | 77.5/36.1 |
| L1021 | 6200003261 | S.COI NLV32T-101J | T | 57.9/52.8 |
| L1031 | 6200003261 | S.COI NLV32T-101J | T | 110.2/19.6 |
| L1081 | 6200002041 | S.COI NLV25T-101J | T | 166.3/91.4 |
| L1082 | 6200002041 | S.COI NLV25T-101J | T | 3.1/81.3 |
| L1091 | 6140002220 | COI LR-270 (TR6X3X2 3A9) | T | |
| L1531 | 6200005011 | S.COI NLV25T-100J | T | 40.3/43.6 |
| L1532 | 6200002041 | S.COI NLV25T-101J | T | 23.7/71.3 |
| L1591 | 6200003261 | S.COI NLV32T-101J | T | 69.2/8.2 |
| L1661 | 6200005011 | S.COI NLV25T-100J | T | 17.4/60.1 |
| L1662 | 6200005011 | S.COI NLV25T-100J | T | 18.7/51.2 |
| L1681 | 6200005011 | S.COI NLV25T-100J | T | 11.9/51.5 |
| L1691 | 6200005011 | S.COI NLV25T-100J | T | 31.9/23 |
| L1692 | 6200005011 | S.COI NLV25T-100J | T | 22.2/89.7 |
| L2011 | 6200005011 | S.COI NLV25T-100J | T | 71.8/77.3 |
| L2012 | 6200005011 | S.COI NLV25T-100J | T | 67.3/83.6 |
| L2013 | 6200005011 | S.COI NLV25T-100J | T | 60.1/83 |
| L2014 | 6200005011 | S.COI NLV25T-100J | T | 69.5/74.6 |
| L2021 | 6200007800 | S.COI LQW2BHNR18J03L | T | 63.7/58.9 |
| L2022 | 6200002841 | S.COI NLV25T-R22J | T | 60.9/58.1 |
| L2041 | 6200005011 | S.COI NLV25T-100J | T | 73.8/64.7 |

M.=Mounted side (T: Mounted on the Top side, B: Mounted on the Bottom side)
S.=Surface mount

[MAIN UNIT]

| REF NO. | PARTS NO. | DESCRIPTION | M. | H/V LOCATION |
|---------|------------|----------------------------|----|--------------|
| L2042 | 6200005011 | S.COI NLV25T-100J | T | 68.4/53.2 |
| L2043 | 6200005031 | S.COI NLV25T-180J | T | 68.6/60.2 |
| L2044 | 6200005521 | S.COI NLV25T-470J | T | 66.7/57.5 |
| L2061 | 6200002581 | S.COI NLV25T-033J | T | 62.4/67 |
| L2071 | 6200002631 | S.COI NLV25T-R10J | T | 80.8/78.2 |
| L2072 | 6200002431 | S.COI NLV25T-082J | T | 83.8/77.8 |
| L2073 | 6200002431 | S.COI NLV25T-082J | T | 87.3/79.4 |
| L2074 | 6200002631 | S.COI NLV25T-R10J | T | 88/72.8 |
| L2075 | 6200002631 | S.COI NLV25T-R10J | T | 87/70 |
| L2091 | 6200009861 | S.COI NLV25T-1R5J | T | 77.5/65.7 |
| L2101 | 6200002181 | S.COI NLV25T-R12J | T | 94.3/64 |
| L2102 | 6200002631 | S.COI NLV25T-R10J | T | 97.1/63.2 |
| L2131 | 6200002581 | S.COI NLV25T-033J | T | 51.4/67.7 |
| L2132 | 6200003891 | S.COI NLV25T-027J | T | 48.6/67.3 |
| L2133 | 6200003891 | S.COI NLV25T-027J | T | 45.8/67.7 |
| L2134 | 6200003891 | S.COI NLV25T-027J | T | 41/67.7 |
| L2135 | 6200003891 | S.COI NLV25T-027J | T | 38.2/68.1 |
| L2136 | 6200002581 | S.COI NLV25T-033J | T | 37.6/72.4 |
| L2151 | 6200002611 | S.COI NLV25T-R47J | T | 41.5/79.6 |
| L2152 | 6200002581 | S.COI NLV25T-033J | T | 45.2/80.5 |
| L2153 | 6200002581 | S.COI NLV25T-033J | T | 46.6/83.8 |
| L2501 | 6200005011 | S.COI NLV25T-100J | T | 55.4/84.9 |
| L2560 | 6200002431 | S.COI NLV25T-082J | T | 40.6/83.5 |
| L2561 | 6140002810 | S.COI LR-317 | T | 59.9/91.8 |
| L2563 | 6200002181 | S.COI NLV25T-R12J | T | 65.3/93.3 |
| L2564 | 6200002181 | S.COI NLV25T-R12J | T | 65.6/98.7 |
| L2566 | 6140002810 | S.COI LR-317 | T | 71.1/92.6 |
| L2571 | 6200002601 | S.COI NLV25T-047J | T | 83.2/91 |
| L2572 | 6200007790 | S.COI LQW2BHNR15J03L | T | 82.7/93.8 |
| L2573 | 6200002431 | S.COI NLV25T-082J | T | 84.7/96.9 |
| L2574 | 6200002431 | S.COI NLV25T-082J | T | 87.6/95.9 |
| L2594 | 6200007790 | S.COI LQW2BHNR15J03L | T | 53.5/91.5 |
| L2601 | 6200002411 | S.COI NLV25T-056J | T | 105.6/94.5 |
| L2602 | 6200009861 | S.COI NLV25T-1R5J | T | 99.8/93.3 |
| L2603 | 6200002421 | S.COI NLV25T-068J | T | 102.7/93.9 |
| L2606 | 6200002041 | S.COI NLV25T-101J | T | 136.7/5 |
| L2701 | 6200002041 | S.COI NLV25T-101J | T | 104.9/86.2 |
| L2711 | 6200002181 | S.COI NLV25T-R12J | T | 108.4/93.6 |
| L2712 | 6200002611 | S.COI NLV25T-R47J | T | 107.4/90.8 |
| L2713 | 6200002181 | S.COI NLV25T-R12J | T | 142.7/99.1 |
| L2714 | 6200002611 | S.COI NLV25T-R47J | T | 145.6/98.6 |
| L2715 | 6200002411 | S.COI NLV25T-056J | T | 152.4/80.8 |
| L2801 | 6200002611 | S.COI NLV25T-R47J | T | 114.7/96.3 |
| L2802 | 6200002431 | S.COI NLV25T-082J | T | 126.7/96.5 |
| L2803 | 6200002631 | S.COI NLV25T-R10J | T | 118/96.1 |
| L2804 | 6200002431 | S.COI NLV25T-082J | T | 121.1/95.2 |
| L2805 | 6200002181 | S.COI NLV25T-R12J | T | 123.9/96.1 |
| L2806 | 6200002631 | S.COI NLV25T-R10J | T | 129.5/97.3 |
| L2807 | 6200002631 | S.COI NLV25T-R10J | T | 133/99.1 |
| L2808 | 6200002611 | S.COI NLV25T-R47J | T | 139.3/94.9 |
| L2851 | 6200002611 | S.COI NLV25T-R47J | T | 115.8/90.8 |
| L2852 | 6200002421 | S.COI NLV25T-068J | T | 127.4/89.7 |
| L2853 | 6200002421 | S.COI NLV25T-068J | T | 118.5/89.3 |
| L2854 | 6200002421 | S.COI NLV25T-068J | T | 121.3/88.5 |
| L2855 | 6200002631 | S.COI NLV25T-R10J | T | 124.6/90.2 |
| L2856 | 6200002431 | S.COI NLV25T-082J | T | 130.1/91.3 |
| L2857 | 6200002431 | S.COI NLV25T-082J | T | 132.9/92.3 |
| L2858 | 6200002611 | S.COI NLV25T-R47J | T | 139.3/88.1 |
| L2859 | 6200007790 | S.COI LQW2BHNR15J03L | T | 136.6/86.3 |
| L2901 | 6200002611 | S.COI NLV25T-R47J | T | 115.8/84.1 |
| L2902 | 6200002411 | S.COI NLV25T-056J | T | 127.4/82.9 |
| L2903 | 6200002421 | S.COI NLV25T-068J | T | 118.7/82.5 |
| L2904 | 6200002411 | S.COI NLV25T-056J | T | 121.7/81.7 |
| L2905 | 6200002431 | S.COI NLV25T-082J | T | 124.6/83.7 |
| L2906 | 6200002421 | S.COI NLV25T-068J | T | 130.2/84.5 |
| L2907 | 6200002421 | S.COI NLV25T-068J | T | 133/85.5 |
| L2908 | 6200002611 | S.COI NLV25T-R47J | T | 139.3/81.3 |
| L2951 | 6200002611 | S.COI NLV25T-R47J | T | 115.8/77.3 |
| L2952 | 6200002411 | S.COI NLV25T-056J | T | 118.7/74.5 |
| L2953 | 6200002601 | S.COI NLV25T-047J | T | 121.8/76.1 |
| L2954 | 6200002421 | S.COI NLV25T-068J | T | 124.6/75.7 |
| L2955 | 6200002411 | S.COI NLV25T-056J | T | 127.4/76.1 |
| L2956 | 6200002421 | S.COI NLV25T-068J | T | 130.2/77.7 |
| L2957 | 6200002411 | S.COI NLV25T-056J | T | 133/78.7 |
| L2958 | 6200002611 | S.COI NLV25T-R47J | T | 139.3/74.5 |
| L2962 | 6200002041 | S.COI NLV25T-101J | T | 185.6/12.7 |
| L2963 | 6200002041 | S.COI NLV25T-101J | T | 189/12.7 |
| L2964 | 6200002041 | S.COI NLV25T-101J | T | 143.4/4.6 |
| L2965 | 6200002041 | S.COI NLV25T-101J | T | 146.2/4.1 |
| L2966 | 6200002041 | S.COI NLV25T-101J | T | 177.5/4.9 |
| L2967 | 6200002041 | S.COI NLV25T-101J | T | 178.8/7.4 |
| L2968 | 6200002041 | S.COI NLV25T-101J | T | 172.3/2 |
| L2969 | 6200002041 | S.COI NLV25T-101J | T | 172.7/4.5 |
| L2970 | 6200002041 | S.COI NLV25T-101J | T | 166.3/3.5 |
| L2975 | 6200002041 | S.COI NLV25T-101J | T | 189/15.2 |
| L2977 | 6200002041 | S.COI NLV25T-101J | T | 182.6/7.8 |
| L2979 | 6200002041 | S.COI NLV25T-101J | T | 89.5/10.7 |
| L2980 | 6200002041 | S.COI NLV25T-101J | T | 94.8/3.7 |
| L2981 | 6200002041 | S.COI NLV25T-101J | T | 98.3/8 |
| L2982 | 6200002041 | S.COI NLV25T-101J | T | 89.5/13.2 |
| L2983 | 6200002041 | S.COI NLV25T-101J | T | 84.6/2.7 |
| L2984 | 6200002041 | S.COI NLV25T-101J | T | 88/2.7 |
| L2985 | 6200002041 | S.COI NLV25T-101J | T | 91.4/2.7 |
| L2986 | 6200009861 | S.COI NLV25T-1R5J | T | 117.3/47.3 |
| L2987 | 6200009861 | S.COI NLV25T-1R5J | T | 120.4/45.3 |
| R1 | 7030003320 | S.RES ERJ3GEYJ 101 V (100) | T | 179.2/23.5 |
| R2 | 7030003590 | S.RES ERJ3GEYJ 183 V (18K) | T | 186.4/30.4 |
| R3 | 7030003440 | S.RES ERJ3GEYJ 102 V (1K) | T | 29.4/31.3 |
| R4 | 7030003320 | S.RES ERJ3GEYJ 101 V (100) | T | 17.6/17.1 |
| R5 | 7030003440 | S.RES ERJ3GEYJ 102 V (1K) | T | 29.4/28.9 |
| R6 | 7030003440 | S.RES ERJ3GEYJ 102 V (1K) | T | 29.4/30.1 |
| R7 | 7030003440 | S.RES ERJ3GEYJ 102 V (1K) | T | 20.1/22.7 |

[MAIN UNIT]

| REF NO. | PARTS NO. | DESCRIPTION | M. | H/V LOCATION |
|---------|------------|-----------------------------|----|--------------|
| R8 | 7030003440 | S.RES ERJ3GEYJ 102 V (1K) | T | 28.1/35.7 |
| R9 | 7030003440 | S.RES ERJ3GEYJ 102 V (1K) | T | 28.1/37 |
| R10 | 7030003440 | S.RES ERJ3GEYJ 102 V (1K) | T | 28.1/38.2 |
| R11 | 7030003440 | S.RES ERJ3GEYJ 102 V (1K) | T | 19.8/32.7 |
| R12 | 7030003440 | S.RES ERJ3GEYJ 102 V (1K) | T | 20.3/35.1 |
| R13 | 7030003440 | S.RES ERJ3GEYJ 102 V (1K) | T | 17.1/35.8 |
| R14 | 7030003440 | S.RES ERJ3GEYJ 102 V (1K) | T | 28.1/32.5 |
| R15 | 7030003440 | S.RES ERJ3GEYJ 102 V (1K) | T | 28.1/33.9 |
| R16 | 7030003360 | S.RES ERJ3GEYJ 221 V (220) | T | 4.7/32.6 |
| R17 | 7030003800 | S.RES ERJ3GEYJ 105 V (1M) | T | 19/5.5 |
| R18 | 7030003360 | S.RES ERJ3GEYJ 221 V (220) | T | 7.3/38.9 |
| R19 | 7030003590 | S.RES ERJ3GEYJ 183 V (18K) | T | 186.9/29.2 |
| R20 | 7030003830 | S.RES ERJ3GEYJ 185 V (1.8M) | T | 188.3/28 |
| R21 | 7030003860 | S.RES ERJ3GE JPW V | T | 20.3/6.7 |
| R22 | 7030003860 | S.RES ERJ3GE JPW V | T | 190.9/28.3 |
| R23 | 7030003830 | S.RES ERJ3GEYJ 185 V (1.8M) | T | 186.9/31.6 |
| R24 | 7030003860 | S.RES ERJ3GE JPW V | T | 186.9/34 |
| R25 | 7030009591 | S.RES ERA3YED 472V (4.7K) | T | 189.6/34 |
| R26 | 7030007230 | S.RES ERA3YED 102V (1K) | T | 189.6/35.2 |
| R27 | 7030009591 | S.RES ERA3YED 472V (4.7K) | T | 189.6/36.6 |
| R28 | 7030003400 | S.RES ERJ3GEYJ 471 V (470) | T | 190.2/24.3 |
| R29 | 7030003680 | S.RES ERJ3GEYJ 104 V (100K) | T | 193.5/28.4 |
| R30 | 7030005691 | S.RES ERA3YED 123V (12K) | T | 192.4/27.1 |
| R31 | 7030003800 | S.RES ERJ3GEYJ 105 V (1M) | T | 19/4.3 |
| R32 | 7030003320 | S.RES ERJ3GEYJ 101 V (100) | T | 195.6/33.7 |
| R33 | 7030003660 | S.RES ERJ3GEYJ 683 V (68K) | T | 195/27.1 |
| R34 | 7030003660 | S.RES ERJ3GEYJ 683 V (68K) | T | 195/25.8 |
| R35 | 7030003440 | S.RES ERJ3GEYJ 102 V (1K) | T | 29.4/27.7 |
| R36 | 7030003500 | S.RES ERJ3GEYJ 332 V (3.3K) | T | 12.2/11.7 |
| R37 | 7030003640 | S.RES ERJ3GEYJ 473 V (47K) | T | 9.3/14.4 |
| R38 | 7030003360 | S.RES ERJ3GEYJ 221 V (220) | T | 6/44.5 |
| R39 | 7030003440 | S.RES ERJ3GEYJ 102 V (1K) | T | 8.6/43.3 |
| R40 | 7030003800 | S.RES ERJ3GEYJ 105 V (1M) | T | 16.4/5.5 |
| R41 | 7030003800 | S.RES ERJ3GEYJ 105 V (1M) | T | 16.4/4.3 |
| R42 | 7030003560 | S.RES ERJ3GEYJ 103 V (10K) | T | 24/4.2 |
| R500 | 7030004400 | S.RES ERJ3GEYJ 4R7 V (4.7) | T | 154.6/74 |
| R501 | 7030003440 | S.RES ERJ3GEYJ 102 V (1K) | T | 164.6/45.3 |
| R502 | 7030003420 | S.RES ERJ3GEYJ 681 V (680) | T | 158.9/80.1 |
| R503 | 7030003420 | S.RES ERJ3GEYJ 681 V (680) | T | 153.1/76.4 |
| R504 | 7030003470 | S.RES ERJ3GEYJ 182 V (1.8K) | T | 156.3/80.1 |
| R505 | 7030003240 | S.RES ERJ3GEYJ 220 V (22) | T | 153.8/72.8 |
| R506 | 7030003860 | S.RES ERJ3GE JPW V | T | 164.9/37.6 |
| R507 | 7030003560 | S.RES ERJ3GEYJ 103 V (10K) | T | 156.8/44.5 |
| R508 | 7030003400 | S.RES ERJ3GEYJ 471 V (470) | T | 160.8/41.4 |
| R509 | 7030003410 | S.RES ERJ3GEYJ 561 V (560) | T | 157.6/34.5 |
| R510 | 7030003410 | S.RES ERJ3GEYJ 561 V (560) | T | 152.4/34.5 |
| R512 | 7030003440 | S.RES ERJ3GEYJ 102 V (1K) | T | 158.3/58 |
| R515 | 7030003390 | S.RES ERJ3GEYJ 391 V (390) | T | 150.1/47.4 |
| R516 | 7030003440 | S.RES ERJ3GEYJ 102 V (1K) | T | 148.6/46.2 |
| R520 | 7030003360 | S.RES ERJ3GEYJ 221 V (220) | T | 141.3/38.9 |
| R521 | 7030003860 | S.RES ERJ3GE JPW V | T | 141.4/43.5 |
| R522 | 7030003560 | S.RES ERJ3GEYJ 103 V (10K) | T | 142.1/48.6 |
| R523 | 7030003610 | S.RES ERJ3GEYJ 273 V (27K) | T | 145.2/52.6 |
| R524 | 7030003320 | S.RES ERJ3GEYJ 101 V (100) | T | 144.7/45.4 |
| R525 | 7030003340 | S.RES ERJ3GEYJ 151 V (150) | T | 142.1/55.7 |
| R526 | 7030003500 | S.RES ERJ3GEYJ 332 V (3.3K) | T | 142.1/53.3 |
| R527 | 7030003320 | S.RES ERJ3GEYJ 101 V (100) | T | 148.8/55.1 |
| R528 | 7510001541 | S.THR NTCG16 4BH 332JT | T | 145.2/53.9 |
| R529 | 7030003440 | S.RES ERJ3GEYJ 102 V (1K) | T | 145.2/55.1 |
| R530 | 7030003440 | S.RES ERJ3GEYJ 102 V (1K) | T | 141.8/26.2 |
| R531 | 7030003260 | S.RES ERJ3GEYJ 330 V (33) | T | 145.2/49 |
| R532 | 7030003560 | S.RES ERJ3GEYJ 103 V (10K) | T | 145.2/51.4 |
| R533 | 7030003440 | S.RES ERJ3GEYJ 102 V (1K) | T | 168.2/45.6 |
| R534 | 7030003280 | S.RES ERJ3GEYJ 470 V (47) | T | 155.4/61.6 |
| R535 | 7030003400 | S.RES ERJ3GEYJ 471 V (470) | T | 150.5/23.8 |
| R536 | 7030003440 | S.RES ERJ3GEYJ 102 V (1K) | T | 146.9/24.3 |
| R537 | 7030003330 | S.RES ERJ3GEYJ 121 V (120) | T | 148.8/56.3 |
| R539 | 7030003440 | S.RES ERJ3GEYJ 102 V (1K) | T | 150.3/43.1 |
| R540 | 7030003400 | S.RES ERJ3GEYJ 471 V (470) | T | 143.3/28.8 |
| R541 | 7030003440 | S.RES ERJ3GEYJ 102 V (1K) | T | 158.6/64.3 |
| R542 | 7030003440 | S.RES ERJ3GEYJ 102 V (1K) | T | 124.6/66.9 |
| R543 | 7030003480 | S.RES ERJ3GEYJ 222 V (2.2K) | T | 146.1/31.4 |
| R544 | 7030003520 | S.RES ERJ3GEYJ 472 V (4.7K) | T | 146.1/32.6 |
| R545 | 7030003480 | S.RES ERJ3GEYJ 222 V (2.2K) | T | 145.5/33.8 |
| R548 | 7030003340 | S.RES ERJ3GEYJ 151 V (150) | T | 141.8/31.9 |
| R551 | 7030003440 | S.RES ERJ3GEYJ 102 V (1K) | T | 125.2/48.5 |
| R552 | 7030003530 | S.RES ERJ3GEYJ 562 V (5.6K) | T | 135.8/58.1 |
| R553 | 7030003480 | S.RES ERJ3GEYJ 222 V (2.2K) | T | 135.6/52 |
| R554 | 7030003640 | S.RES ERJ3GEYJ 473 V (47K) | T | 131.3/49.7 |
| R555 | 7030003260 | S.RES ERJ3GEYJ 330 V (33) | T | 137.3/49.4 |
| R556 | 7030003560 | S.RES ERJ3GEYJ 103 V (10K) | T | 134.6/47.2 |
| R557 | 7030003320 | S.RES ERJ3GEYJ 101 V (100) | T | 127.1/46.7 |
| R558 | | | | |

[MAIN UNIT]

| REF NO. | PARTS NO. | DESCRIPTION | M. | H/V LOCATION |
|---------|------------|-----------------------------|----|--------------|
| R602 | 7030003520 | S.RES ERJ3GEYJ 472 V (4.7K) | T | 98/37 |
| R611 | 7030003520 | S.RES ERJ3GEYJ 472 V (4.7K) | T | 91.8/37.5 |
| R614 | 7030003280 | S.RES ERJ3GEYJ 470 V (47) | T | 89.9/26.2 |
| R617 | 7030003860 | S.RES ERJ3GE JPW V | T | 93.3/34.1 |
| R618 | 7030003560 | S.RES ERJ3GEYJ 103 V (10K) | T | 90/29.6 |
| R619 | 7030003260 | S.RES ERJ3GEYJ 330 V (33) | T | 90.1/35.7 |
| R620 | 7030003600 | S.RES ERJ3GEYJ 223 V (22K) | T | 86.7/33.2 |
| R621 | 7030003640 | S.RES ERJ3GEYJ 473 V (47K) | T | 87.3/35.6 |
| R622 | 7030003860 | S.RES ERJ3GE JPW V | T | 86.7/34.4 |
| R623 | 7030003560 | S.RES ERJ3GEYJ 103 V (10K) | T | 86.3/29.7 |
| R624 | 7030003400 | S.RES ERJ3GEYJ 471 V (470) | T | 86.3/30.9 |
| R652 | 7030003280 | S.RES ERJ3GEYJ 470 V (47) | T | 87.3/42.1 |
| R653 | 7030003400 | S.RES ERJ3GEYJ 471 V (470) | T | 85.9/41.2 |
| R654 | 7030003610 | S.RES ERJ3GEYJ 273 V (27K) | T | 88.3/45.6 |
| R655 | 7030003640 | S.RES ERJ3GEYJ 473 V (47K) | T | 88.3/46.8 |
| R656 | 7030003480 | S.RES ERJ3GEYJ 222 V (2.2K) | T | 94.1/53.1 |
| R657 | 7030003480 | S.RES ERJ3GEYJ 222 V (2.2K) | T | 92.6/55.5 |
| R658 | 7030003480 | S.RES ERJ3GEYJ 222 V (2.2K) | T | 88.3/51.2 |
| R659 | 7030003320 | S.RES ERJ3GEYJ 101 V (100) | T | 88.3/52.4 |
| R660 | 7510001541 | S.THE NTCG16 4BH 332JT | T | 96.7/54.3 |
| R661 | 7030003560 | S.RES ERJ3GEYJ 103 V (10K) | T | 88.9/59.5 |
| R662 | 7030003560 | S.RES ERJ3GEYJ 103 V (10K) | T | 90/56.2 |
| R663 | 7510001541 | S.THE NTCG16 4BH 332JT | T | 94.1/54.3 |
| R664 | 7030003280 | S.RES ERJ3GEYJ 470 V (47) | T | 95/46.3 |
| R665 | 7030003520 | S.RES ERJ3GEYJ 472 V (4.7K) | T | 99.6/45.1 |
| R666 | 7030003320 | S.RES ERJ3GEYJ 101 V (100) | T | 95.5/42.7 |
| R667 | 7030003520 | S.RES ERJ3GEYJ 472 V (4.7K) | T | 101.2/41.9 |
| R668 | 7030003670 | S.RES ERJ3GEYJ 823 V (82K) | T | 96.6/40.3 |
| R669 | 7030003620 | S.RES ERJ3GEYJ 333 V (33K) | T | 100.5/39.1 |
| R670 | 7510001541 | S.THE NTCG16 4BH 332JT | T | 95.5/43.9 |
| R671 | 7030003260 | S.RES ERJ3GEYJ 330 V (33) | T | 92.4/48 |
| R672 | 7030003400 | S.RES ERJ3GEYJ 471 V (470) | T | 88.9/53.6 |
| R674 | 7030003860 | S.RES ERJ3GE JPW V | T | 84.7/42.2 |
| R675 | 7030003400 | S.RES ERJ3GEYJ 471 V (470) | T | 82.1/42.2 |
| R676 | 7030003520 | S.RES ERJ3GEYJ 472 V (4.7K) | T | 66.9/32.1 |
| R677 | 7030003520 | S.RES ERJ3GEYJ 472 V (4.7K) | T | 66.9/33.3 |
| R678 | 7030003480 | S.RES ERJ3GEYJ 222 V (2.2K) | T | 70.9/39.5 |
| R679 | 7030003480 | S.RES ERJ3GEYJ 222 V (2.2K) | T | 73.5/39.5 |
| R680 | 7030003400 | S.RES ERJ3GEYJ 471 V (470) | T | 82.3/34.5 |
| R681 | 7030003680 | S.RES ERJ3GEYJ 104 V (100K) | T | 74.4/27.4 |
| R682 | 7030003440 | S.RES ERJ3GEYJ 102 V (1K) | T | 74.4/26.2 |
| R684 | 7030003530 | S.RES ERJ3GEYJ 562 V (5.6K) | T | 95.3/51.3 |
| R685 | 7030004040 | S.RES ERJ3GEYJ 4R7 V (4.7) | T | 78.9/26.8 |
| R686 | 7030003440 | S.RES ERJ3GEYJ 102 V (1K) | T | 78.1/28.6 |
| R687 | 7030003440 | S.RES ERJ3GEYJ 102 V (1K) | T | 77/27.4 |
| R1021 | 7030003520 | S.RES ERJ3GEYJ 472 V (4.7K) | T | 56.6/50.6 |
| R1022 | 7030003520 | S.RES ERJ3GEYJ 472 V (4.7K) | T | 56.6/49.4 |
| R1023 | 7030003320 | S.RES ERJ3GEYJ 101 V (100) | T | 59.2/50.6 |
| R1024 | 7030003640 | S.RES ERJ3GEYJ 473 V (47K) | T | 54.5/48.5 |
| R1025 | 7030003640 | S.RES ERJ3GEYJ 473 V (47K) | T | 63.6/45.6 |
| R1026 | 7030003640 | S.RES ERJ3GEYJ 473 V (47K) | T | 60.6/39.6 |
| R1031 | 7030003420 | S.RES ERJ3GEYJ 681 V (680) | T | 107.6/17.5 |
| R1032 | 7030003560 | S.RES ERJ3GEYJ 103 V (10K) | T | 110.9/16.4 |
| R1033 | 7030003520 | S.RES ERJ3GEYJ 472 V (4.7K) | T | 50.1/44.2 |
| R1034 | 7030003860 | S.RES ERJ3GE JPW V | T | 52.7/45.4 |
| R1035 | 7030003680 | S.RES ERJ3GEYJ 104 V (100K) | T | 51.9/41.8 |
| R1036 | 7030003320 | S.RES ERJ3GEYJ 101 V (100) | T | 61.7/41 |
| R1037 | 7030003680 | S.RES ERJ3GEYJ 104 V (100K) | T | 62.4/38.7 |
| R1038 | 7030003320 | S.RES ERJ3GEYJ 101 V (100) | T | 106.8/19.9 |
| R1039 | 7030003640 | S.RES ERJ3GEYJ 473 V (47K) | T | 99.4/18.2 |
| R1040 | 7030003640 | S.RES ERJ3GEYJ 473 V (47K) | T | 102/18.9 |
| R1041 | 7030003460 | S.RES ERJ3GEYJ 152 V (1.5K) | T | 110.9/15.2 |
| R1042 | 7030003560 | S.RES ERJ3GEYJ 103 V (10K) | T | 110.9/14 |
| R1043 | 7030003620 | S.RES ERJ3GEYJ 333 V (33K) | T | 50.8/36.9 |
| R1044 | 7030003640 | S.RES ERJ3GEYJ 473 V (47K) | T | 56.1/42.4 |
| R1045 | 7030003530 | S.RES ERJ3GEYJ 562 V (5.6K) | T | 52.8/36.2 |
| R1052 | 7030003560 | S.RES ERJ3GEYJ 103 V (10K) | T | 15.1/78.6 |
| R1053 | 7030003560 | S.RES ERJ3GEYJ 103 V (10K) | T | 18.1/85.2 |
| R1054 | 7030003600 | S.RES ERJ3GEYJ 223 V (22K) | T | 21.2/78.2 |
| R1055 | 7030003320 | S.RES ERJ3GEYJ 101 V (100) | T | 15.1/76.2 |
| R1056 | 7030003860 | S.RES ERJ3GE JPW V | T | 10.9/84.4 |
| R1057 | 7030003600 | S.RES ERJ3GEYJ 223 V (22K) | T | 21.2/79.4 |
| R1058 | 7030003680 | S.RES ERJ3GEYJ 104 V (100K) | T | 21.2/81.8 |
| R1059 | 7030003620 | S.RES ERJ3GEYJ 333 V (33K) | T | 18.1/84 |
| R1060 | 7030003440 | S.RES ERJ3GEYJ 102 V (1K) | T | 15.4/84 |
| R1061 | 7030003320 | S.RES ERJ3GEYJ 101 V (100) | T | 15.1/82.2 |
| R1063 | 7030003640 | S.RES ERJ3GEYJ 473 V (47K) | T | 18.7/70.3 |
| R1064 | 7030003640 | S.RES ERJ3GEYJ 473 V (47K) | T | 15.1/79.8 |
| R1070 | 7030003520 | S.RES ERJ3GEYJ 472 V (4.7K) | T | 163.1/88.8 |
| R1071 | 7030003520 | S.RES ERJ3GEYJ 472 V (4.7K) | T | 159.6/89.1 |
| R1072 | 7030003560 | S.RES ERJ3GEYJ 103 V (10K) | T | 162.2/91.2 |
| R1073 | 7030003560 | S.RES ERJ3GEYJ 103 V (10K) | T | 159.6/91.5 |
| R1074 | 7030003560 | S.RES ERJ3GEYJ 103 V (10K) | T | 164.3/98.8 |
| R1075 | 7030003520 | S.RES ERJ3GEYJ 472 V (4.7K) | T | 9.4/80.8 |
| R1076 | 7030003520 | S.RES ERJ3GEYJ 472 V (4.7K) | T | 9.4/83.2 |
| R1077 | 7030003560 | S.RES ERJ3GEYJ 103 V (10K) | T | 5.3/74.3 |
| R1078 | 7030003560 | S.RES ERJ3GEYJ 103 V (10K) | T | 6.7/83.2 |
| R1079 | 7030003560 | S.RES ERJ3GEYJ 103 V (10K) | T | 6.8/81.1 |
| R1080 | 7030003440 | S.RES ERJ3GEYJ 102 V (1K) | T | 158.2/96.4 |
| R1081 | 7030003280 | S.RES ERJ3GEYJ 470 V (47) | T | 159.6/92.7 |
| R1083 | 7030003640 | S.RES ERJ3GEYJ 473 V (47K) | T | 165.8/94.9 |
| R1084 | 7030003800 | S.RES ERJ3GEYJ 105 V (1M) | T | 157/95.1 |
| R1086 | 7030003320 | S.RES ERJ3GEYJ 101 V (100) | T | 165.8/93.7 |
| R1087 | 7030003320 | S.RES ERJ3GEYJ 101 V (100) | T | 2.7/79.4 |
| R1088 | 7030003280 | S.RES ERJ3GEYJ 470 V (47) | T | 8.5/75.8 |
| R1089 | 7030003640 | S.RES ERJ3GEYJ 473 V (47K) | T | 8.5/79.4 |
| R1090 | 7030003440 | S.RES ERJ3GEYJ 102 V (1K) | T | 8.5/78.2 |
| R1091 | 7030003860 | S.RES ERJ3GE JPW V | T | 173.8/84.5 |
| R1092 | 7030003560 | S.RES ERJ3GEYJ 103 V (10K) | T | 164.3/100.1 |
| R1093 | 7030003440 | S.RES ERJ3GEYJ 102 V (1K) | T | 168.4/97.6 |
| R1094 | 7030003400 | S.RES ERJ3GEYJ 471 V (470) | T | 183.2/83.9 |
| R1095 | 7030004040 | S.RES ERJ3GEYJ 4R7 V (4.7) | T | 186.8/86.7 |
| R1096 | 7030010260 | S.RES ERJ1TYJ 3R3 U | T | 176.3/82 |
| R1514 | 7030003320 | S.RES ERJ3GEYJ 101 V (100) | T | 63.8/32.1 |

[MAIN UNIT]

| REF NO. | PARTS NO. | DESCRIPTION | M. | H/V LOCATION |
|---------|------------|-----------------------------|----|--------------|
| R1515 | 7030003800 | S.RES ERJ3GEYJ 105 V (1M) | T | 59.6/35.5 |
| R1516 | 7030003320 | S.RES ERJ3GEYJ 101 V (100) | T | 58.3/35.5 |
| R1521 | 7030003860 | S.RES ERJ3GE JPW V | T | 2.7/53.7 |
| R1531 | 7030003560 | S.RES ERJ3GEYJ 103 V (10K) | T | 46.1/41.7 |
| R1532 | 7030003440 | S.RES ERJ3GEYJ 102 V (1K) | T | 33.2/57.9 |
| R1548 | 7030003860 | S.RES ERJ3GE JPW V | T | 29.1/16 |
| R1549 | 7030003860 | S.RES ERJ3GE JPW V | T | 65.9/37.8 |
| R1550 | 7030003860 | S.RES ERJ3GE JPW V | T | 55.7/35.5 |
| R1553 | 7030003320 | S.RES ERJ3GEYJ 101 V (100) | T | 56.9/34 |
| R1554 | 7030003560 | S.RES ERJ3GEYJ 103 V (10K) | T | 53.3/34 |
| R1555 | 7030003560 | S.RES ERJ3GEYJ 103 V (10K) | T | 49.7/34 |
| R1556 | 7030003560 | S.RES ERJ3GEYJ 103 V (10K) | T | 66.2/23.4 |
| R1557 | 7030003560 | S.RES ERJ3GEYJ 103 V (10K) | T | 65/23.8 |
| R1558 | 7030003560 | S.RES ERJ3GEYJ 103 V (10K) | T | 43.5/3.2 |
| R1559 | 7030003560 | S.RES ERJ3GEYJ 103 V (10K) | T | 42.3/3.2 |
| R1591 | 7030003860 | S.RES ERJ3GE JPW V | T | 82.8/9.2 |
| R1601 | 7030003320 | S.RES ERJ3GEYJ 101 V (100) | T | 52.6/48.8 |
| R1602 | 7030003520 | S.RES ERJ3GEYJ 472 V (4.7K) | T | 38.7/48.2 |
| R1603 | 7030003520 | S.RES ERJ3GEYJ 472 V (4.7K) | T | 44.2/50.8 |
| R1604 | 7030003520 | S.RES ERJ3GEYJ 472 V (4.7K) | T | 40.9/49.4 |
| R1605 | 7030003520 | S.RES ERJ3GEYJ 472 V (4.7K) | T | 49.8/46.4 |
| R1606 | 7030003520 | S.RES ERJ3GEYJ 472 V (4.7K) | T | 45.9/44.4 |
| R1607 | 7030003520 | S.RES ERJ3GEYJ 472 V (4.7K) | T | 49.8/47.6 |
| R1621 | 7030003320 | S.RES ERJ3GEYJ 101 V (100) | T | 41.9/58.7 |
| R1622 | 7030003490 | S.RES ERJ3GEYJ 272 V (2.7K) | T | 37.2/52 |
| R1623 | 7030003490 | S.RES ERJ3GEYJ 272 V (2.7K) | T | 37.2/50.8 |
| R1624 | 7030003490 | S.RES ERJ3GEYJ 272 V (2.7K) | T | 40.3/52 |
| R1625 | 7030003490 | S.RES ERJ3GEYJ 272 V (2.7K) | T | 40.3/50.8 |
| R1626 | 7030003460 | S.RES ERJ3GEYJ 152 V (1.5K) | T | 36/59.4 |
| R1627 | 7030003460 | S.RES ERJ3GEYJ 152 V (1.5K) | T | 38.9/58.2 |
| R1628 | 7030003320 | S.RES ERJ3GEYJ 101 V (100) | T | 33.2/59.4 |
| R1629 | 7030003320 | S.RES ERJ3GEYJ 101 V (100) | T | 38.9/60.6 |
| R1641 | 7030003320 | S.RES ERJ3GEYJ 101 V (100) | T | 52.8/59.4 |
| R1642 | 7030003490 | S.RES ERJ3GEYJ 272 V (2.7K) | T | 50.1/53.2 |
| R1643 | 7030003490 | S.RES ERJ3GEYJ 272 V (2.7K) | T | 47.5/52 |
| R1644 | 7030003490 | S.RES ERJ3GEYJ 272 V (2.7K) | T | 52.7/53.2 |
| R1645 | 7030003490 | S.RES ERJ3GEYJ 272 V (2.7K) | T | 52/52 |
| R1646 | 7030003460 | S.RES ERJ3GEYJ 152 V (1.5K) | T | 47/59.7 |
| R1647 | 7030003460 | S.RES ERJ3GEYJ 152 V (1.5K) | T | 49.8/58.4 |
| R1648 | 7030003320 | S.RES ERJ3GEYJ 101 V (100) | T | 44.4/59.7 |
| R1649 | 7030003320 | S.RES ERJ3GEYJ 101 V (100) | T | 49.8/60.9 |
| R1661 | 7030003320 | S.RES ERJ3GEYJ 101 V (100) | T | 22/64.2 |
| R1662 | 7030003320 | S.RES ERJ3GEYJ 101 V (100) | T | 29/61.3 |
| R1663 | 7030003860 | S.RES ERJ3GE JPW V | T | 29/58.9 |
| R1664 | 7030003320 | S.RES ERJ3GEYJ 101 V (100) | T | 29/60.1 |
| R1665 | 7030003320 | S.RES ERJ3GEYJ 101 V (100) | T | 29/62.5 |
| R1666 | 7030003860 | S.RES ERJ3GE JPW V | T | 21.7/51.4 |
| R1667 | 7030003520 | S.RES ERJ3GEYJ 472 V (4.7K) | T | 19.1/49.3 |
| R1668 | 7030003500 | S.RES ERJ3GEYJ 332 V (3.3K) | T | 21.7/49.9 |
| R1669 | 7030003320 | S.RES ERJ3GEYJ 101 V (100) | T | 35.1/13.6 |
| R1686 | 7030003640 | S.RES ERJ3GEYJ 473 V (47K) | T | 2.7/61.6 |
| R1687 | 7030003640 | S.RES ERJ3GEYJ 473 V (47K) | T | 29.4/26.5 |
| R1688 | 7030003860 | S.RES ERJ3GE JPW V | T | 24.1/1.6 |
| R1691 | 7030003320 | S.RES ERJ3GEYJ 101 V (100) | T | 19.7/87.6 |
| R1692 | 7030003320 | S.RES ERJ3GEYJ 101 V (100) | T | 20.1/86.4 |
| R1693 | 7030003320 | S.RES ERJ3GEYJ 101 V (100) | T | 19.8/89.5 |
| R1701 | 7030003440 | S.RES ERJ3GEYJ 102 V (1K) | T | 10.8/64.3 |
| R1702 | 7030003520 | S.RES ERJ3GEYJ 472 V (4.7K) | T | 6/65.5 |
| R1703 | 7030003520 | S.RES ERJ3GEYJ 472 V (4.7K) | T | 9/63.6 |
| R1704 | 7030003500 | S.RES ERJ3GEYJ 332 V (3.3K) | T | 9/64.8 |
| R1705 | 7030003440 | S.RES ERJ3GEYJ 102 V (1K) | T | 18.2/63.6 |
| R1706 | 7030003520 | S.RES ERJ3GEYJ 472 V (4.7K) | T | 12.7/63.6 |
| R1707 | 7030003520 | S.RES ERJ3GEYJ 472 V (4.7K) | T | 15.6/63.6 |
| R1708 | 7030003500 | S.RES ERJ3GEYJ 332 V (3.3K) | T | 15.6/64.8 |
| R1709 | 7030003500 | S.RES ERJ3GEYJ 332 V (3.3K) | T | 5.4/69.1 |
| R1710 | 7030003540 | S.RES ERJ3GEYJ 682 V (6.8K) | T | 5.4/67.9 |
| R1711 | 7030003540 | S.RES ERJ3GEYJ 682 V (6.8K) | T | 8.6/66 |
| R1712 | 7030003500 | S.RES ERJ3GEYJ 332 V (3.3K) | T | 12.7/67.2 |
| R1713 | 7030003540 | S.RES ERJ3GEYJ 682 V (6.8K) | T | 12.7/66 |
| R1714 | 7030003540 | S.RES ERJ3GEYJ 682 V (6.8K) | T | 15.6/66 |
| R1716 | 7030003320 | S.RES ERJ3GEYJ 101 V (100) | T | 12.4/75.2 |
| R1717 | 7030003560 | S.RES ERJ3GEYJ 103 V (10K) | T | 15.7/70.3 |
| R2011 | 7030003560 | S.RES ERJ3GEYJ 103 V (10K) | T | 59.8/79.9 |
| R2012 | 7030003670 | S.RES ERJ3GEYJ 823 V (82K) | T | 59.8/81.1 |
| R2013 | 7030005691 | S.RES ERA3YED | | |

[MAIN UNIT]

| REF NO. | PARTS NO. | DESCRIPTION | M. | H/V LOCATION |
|---------|------------|-----------------------------|----|--------------|
| R2549 | 7030003440 | S.RES ERJ3GEYJ 102 V (1K) | T | 36.6/94.8 |
| R2550 | 7030003440 | S.RES ERJ3GEYJ 102 V (1K) | T | 36.6/96 |
| R2551 | 7030003860 | S.RES ERJ3GE JPW V | T | 36.6/97.2 |
| R2552 | 7030003330 | S.RES ERJ3GEYJ 121 V (120) | T | 55.2/91.1 |
| R2553 | 7030003470 | S.RES ERJ3GEYJ 182 V (1.8K) | T | 51.2/95.9 |
| R2554 | 7030003440 | S.RES ERJ3GEYJ 102 V (1K) | T | 39.8/96.9 |
| R2555 | 7030003560 | S.RES ERJ3GEYJ 103 V (10K) | T | 40.7/98.4 |
| R2556 | 7030003470 | S.RES ERJ3GEYJ 182 V (1.8K) | T | 51.2/97.1 |
| R2557 | 7030003860 | S.RES ERJ3GE JPW V | T | 40.2/87 |
| R2590 | 7030003240 | S.RES ERJ3GEYJ 220 V (22) | T | 93.2/96.6 |
| R2591 | 7030003240 | S.RES ERJ3GEYJ 220 V (22) | T | 93.2/95.4 |
| R2592 | 7030003400 | S.RES ERJ3GEYJ 471 V (470) | T | 93.2/93 |
| R2593 | 7030003400 | S.RES ERJ3GEYJ 471 V (470) | T | 95.8/95.4 |
| R2594 | 7030003340 | S.RES ERJ3GEYJ 151 V (150) | T | 54.3/88 |
| R2595 | 7030003400 | S.RES ERJ3GEYJ 471 V (470) | T | 54.6/97.4 |
| R2596 | 7030003330 | S.RES ERJ3GEYJ 121 V (120) | T | 54.3/86.8 |
| R2597 | 7030003340 | S.RES ERJ3GEYJ 151 V (150) | T | 68.4/91.4 |
| R2598 | 7030003400 | S.RES ERJ3GEYJ 471 V (470) | T | 68.7/96.3 |
| R2599 | 7030003330 | S.RES ERJ3GEYJ 121 V (120) | T | 67.8/89.6 |
| R2701 | 7030003440 | S.RES ERJ3GEYJ 102 V (1K) | T | 99.5/83.9 |
| R2702 | 7030003440 | S.RES ERJ3GEYJ 102 V (1K) | T | 98/82.6 |
| R2703 | 7030003440 | S.RES ERJ3GEYJ 102 V (1K) | T | 98/81.4 |
| R2711 | 7030003390 | S.RES ERJ3GEYJ 391 V (390) | T | 109.7/89.7 |
| R2715 | 7030003390 | S.RES ERJ3GEYJ 391 V (390) | T | 145/96.3 |
| R2801 | 7030003390 | S.RES ERJ3GEYJ 391 V (390) | T | 115.4/94 |
| R2802 | 7030003260 | S.RES ERJ3GEYJ 330 V (33) | T | 135.9/97.2 |
| R2803 | 7030003340 | S.RES ERJ3GEYJ 151 V (150) | T | 135.9/94.8 |
| R2804 | 7030003340 | S.RES ERJ3GEYJ 151 V (150) | T | 137/96 |
| R2805 | 7030003390 | S.RES ERJ3GEYJ 391 V (390) | T | 140/92.6 |
| R2806 | 7030003680 | S.RES ERJ3GEYJ 104 V (100K) | T | 141.8/93.9 |
| R2851 | 7030003390 | S.RES ERJ3GEYJ 391 V (390) | T | 115.5/88.9 |
| R2852 | 7030003240 | S.RES ERJ3GEYJ 220 V (22) | T | 135.9/90.4 |
| R2853 | 7030003400 | S.RES ERJ3GEYJ 471 V (470) | T | 134.4/89.2 |
| R2854 | 7030003400 | S.RES ERJ3GEYJ 471 V (470) | T | 137/89.2 |
| R2855 | 7030003390 | S.RES ERJ3GEYJ 391 V (390) | T | 140.3/85.8 |
| R2856 | 7030003680 | S.RES ERJ3GEYJ 104 V (100K) | T | 141.8/87 |
| R2857 | 7030003240 | S.RES ERJ3GEYJ 220 V (22) | T | 135.9/91.6 |
| R2901 | 7030003390 | S.RES ERJ3GEYJ 391 V (390) | T | 115.5/82.2 |
| R2902 | 7030003260 | S.RES ERJ3GEYJ 330 V (33) | T | 135.9/83.6 |
| R2903 | 7030003340 | S.RES ERJ3GEYJ 151 V (150) | T | 135.9/81.2 |
| R2904 | 7030003340 | S.RES ERJ3GEYJ 151 V (150) | T | 137/82.7 |
| R2905 | 7030003390 | S.RES ERJ3GEYJ 391 V (390) | T | 140/79 |
| R2906 | 7030003680 | S.RES ERJ3GEYJ 104 V (100K) | T | 141.7/80.2 |
| R2950 | 7030003260 | S.RES ERJ3GEYJ 330 V (33) | T | 135.2/77.5 |
| R2951 | 7030003390 | S.RES ERJ3GEYJ 391 V (390) | T | 115.5/75.4 |
| R2952 | 7030003260 | S.RES ERJ3GEYJ 330 V (33) | T | 136.7/77.5 |
| R2953 | 7030003320 | S.RES ERJ3GEYJ 101 V (100) | T | 135.9/74.4 |
| R2954 | 7030003320 | S.RES ERJ3GEYJ 101 V (100) | T | 137/75.6 |
| R2955 | 7030003390 | S.RES ERJ3GEYJ 391 V (390) | T | 140.2/72.2 |
| R2956 | 7030003680 | S.RES ERJ3GEYJ 104 V (100K) | T | 141.7/73.4 |
| R2957 | 7030003440 | S.RES ERJ3GEYJ 102 V (1K) | T | 17.4/37 |
| R2958 | 7030003440 | S.RES ERJ3GEYJ 102 V (1K) | T | 17.4/38.2 |
| R2959 | 7030003440 | S.RES ERJ3GEYJ 102 V (1K) | T | 20.3/37.2 |
| R2960 | 7030003320 | S.RES ERJ3GEYJ 101 V (100) | T | 20.3/38.4 |
| R2961 | 7030003320 | S.RES ERJ3GEYJ 101 V (100) | T | 20.3/39.6 |
| R2962 | 7030003440 | S.RES ERJ3GEYJ 102 V (1K) | T | 20.3/40.8 |
| R2963 | 7030003440 | S.RES ERJ3GEYJ 102 V (1K) | T | 20.3/42 |
| R2994 | 7030003320 | S.RES ERJ3GEYJ 101 V (100) | T | 152.4/6.3 |
| R2995 | 7030003320 | S.RES ERJ3GEYJ 101 V (100) | T | 152/5.1 |
| R2996 | 7030003320 | S.RES ERJ3GEYJ 101 V (100) | T | 151.7/3.9 |
| R2997 | 7030003320 | S.RES ERJ3GEYJ 101 V (100) | T | 151.3/2.7 |
| R3000 | 7030003680 | S.RES ERJ3GEYJ 104 V (100K) | T | 135.6/53.2 |
| R3001 | 7030003680 | S.RES ERJ3GEYJ 104 V (100K) | T | 137.7/45.2 |
| R3012 | 7030003360 | S.RES ERJ3GEYJ 221 V (220) | T | 177.1/2.8 |
| R3013 | 7030003360 | S.RES ERJ3GEYJ 221 V (220) | T | 175.9/13.7 |
| R3014 | 7030003360 | S.RES ERJ3GEYJ 221 V (220) | T | 185.8/4.6 |
| R3015 | 7030003360 | S.RES ERJ3GEYJ 221 V (220) | T | 182/12.4 |
| R3016 | 7030003360 | S.RES ERJ3GEYJ 221 V (220) | T | 186.5/10.8 |
| R3018 | 7030003860 | S.RES ERJ3GE JPW V | T | 2.7/75.5 |
| R3201 | 7030003600 | S.RES ERJ3GEYJ 223 V (22K) | T | 171.8/62.8 |
| R3202 | 7030003600 | S.RES ERJ3GEYJ 223 V (22K) | T | 171.8/61.6 |
| R3203 | 7030003400 | S.RES ERJ3GEYJ 471 V (470) | T | 173.4/57.8 |
| R3204 | 7030003680 | S.RES ERJ3GEYJ 104 V (100K) | T | 172.9/60.2 |
| R3205 | 7030003560 | S.RES ERJ3GEYJ 103 V (10K) | T | 170.7/57.8 |
| R3206 | 7030003680 | S.RES ERJ3GEYJ 104 V (100K) | T | 171.8/55.4 |
| R3207 | 7030003800 | S.RES ERJ3GEYJ 105 V (1M) | T | 178.8/54.2 |
| R3208 | 7030005691 | S.RES ERA3YED 123V (12K) | T | 182.4/55.2 |
| R3209 | 7030003240 | S.RES ERJ3GEYJ 220 V (22) | T | 183.9/41 |
| R3210 | 7030003240 | S.RES ERJ3GEYJ 220 V (22) | T | 183.9/42.2 |
| R3211 | 7030003640 | S.RES ERJ3GEYJ 473 V (47K) | T | 188.1/57.2 |
| R3212 | 7030003680 | S.RES ERJ3GEYJ 104 V (100K) | T | 181.5/63.7 |
| R3213 | 7030003680 | S.RES ERJ3GEYJ 104 V (100K) | T | 180.9/64.9 |
| R3214 | 7030003460 | S.RES ERJ3GEYJ 152 V (1.5K) | T | 183.9/43.5 |
| R3215 | 7030003800 | S.RES ERJ3GEYJ 105 V (1M) | T | 183.9/39.8 |
| R3216 | 7030003800 | S.RES ERJ3GEYJ 105 V (1M) | T | 176.6/34.4 |
| R3217 | 7030003520 | S.RES ERJ3GEYJ 472 V (4.7K) | T | 179.7/73.3 |
| R3218 | 7030003560 | S.RES ERJ3GEYJ 103 V (10K) | T | 177/73.3 |
| R3219 | 7030003590 | S.RES ERJ3GEYJ 183 V (18K) | T | 164.3/73 |
| R3220 | 7030003560 | S.RES ERJ3GEYJ 103 V (10K) | T | 166.9/73 |
| R3221 | 7030003640 | S.RES ERJ3GEYJ 473 V (47K) | T | 166/68.7 |
| R3222 | 7030003590 | S.RES ERJ3GEYJ 183 V (18K) | T | 166.9/70.9 |
| R3223 | 7030003680 | S.RES ERJ3GEYJ 104 V (100K) | T | 173.2/74 |
| R3224 | 7030003680 | S.RES ERJ3GEYJ 104 V (100K) | T | 172.3/67.2 |
| R3225 | 7030003860 | S.RES ERJ3GE JPW V | T | 189.5/38.8 |
| R3226 | 7030003860 | S.RES ERJ3GE JPW V | T | 185.2/46.3 |
| R3227 | 7030003400 | S.RES ERJ3GEYJ 471 V (470) | T | 83.5/37.5 |
| R3229 | 7030003440 | S.RES ERJ3GEYJ 102 V (1K) | T | 16.2/8.6 |
| R3230 | 7030003440 | S.RES ERJ3GEYJ 102 V (1K) | T | 15.1/10.1 |
| R3231 | 7030003440 | S.RES ERJ3GEYJ 102 V (1K) | T | 15.1/11.6 |
| R3232 | 7030003440 | S.RES ERJ3GEYJ 102 V (1K) | T | 15.1/13.2 |
| R3233 | 7030003440 | S.RES ERJ3GEYJ 102 V (1K) | T | 17.6/15.9 |
| R3234 | 7030003280 | S.RES ERJ3GEYJ 470 V (47) | T | 117.7/49.2 |
| R3235 | 7030003640 | S.RES ERJ3GEYJ 473 V (47K) | T | 163.4/68.7 |
| R3236 | 7030003860 | S.RES ERJ3GE JPW V | T | 166.7/65.7 |

[MAIN UNIT]

| REF NO. | PARTS NO. | DESCRIPTION | M. | H/V LOCATION |
|---------|------------|--------------------------|----|--------------|
| R3237 | 7030003860 | S.RES ERJ3GE JPW V | T | 162.6/62.5 |
| R3242 | 7030010570 | S.RES ERJ1TYJ 4R7U (4.7) | T | 8.6/95.8 |
| R3243 | 7030010570 | S.RES ERJ1TYJ 4R7U (4.7) | T | 16/95.8 |
| R3244 | 7030010570 | S.RES ERJ1TYJ 4R7U (4.7) | T | 12.3/95.8 |
| R3248 | 7030003860 | S.RES ERJ3GE JPW V | T | 167.7/59 |
| R3249 | 7030003860 | S.RES ERJ3GE JPW V | T | 177.6/75.2 |
| R3250 | 7030003860 | S.RES ERJ3GE JPW V | T | 175.4/75.1 |
| R3251 | 7030003860 | S.RES ERJ3GE JPW V | T | 174.7/67 |
| R3254 | 7030003860 | S.RES ERJ3GE JPW V | T | 161.6/69.5 |
| C1 | 4030006880 | S.CER C1608 JB 1H 472K-T | T | 173.6/24.2 |
| C2 | 4030006880 | S.CER C1608 JB 1H 472K-T | T | 179.2/27.2 |
| C6 | 4030007090 | S.CER C1608 CH 1H 470J-T | T | 19.2/30.3 |
| C9 | 4030007090 | S.CER C1608 CH 1H 470J-T | T | 16.9/19.5 |
| C10 | 4030007090 | S.CER C1608 CH 1H 470J-T | T | 19.2/29.1 |
| C11 | 4030007090 | S.CER C1608 CH 1H 470J-T | T | 19.2/31.5 |
| C12 | 4030007090 | S.CER C1608 CH 1H 470J-T | T | 19.7/33.9 |
| C14 | 4030007090 | S.CER C1608 CH 1H 470J-T | T | 17.1/34.6 |
| C16 | 4030006880 | S.CER C1608 JB 1H 472K-T | T | 17.4/31.1 |
| C17 | 4030011600 | S.CER C1608 JB 1E 104K-T | T | 193/33.7 |
| C18 | 4030006880 | S.CER C1608 JB 1H 102K-T | T | 120/17.6 |
| C19 | 4030006880 | S.CER C1608 JB 1H 102K-T | T | 113.5/19.4 |
| C21 | 4030006880 | S.CER C1608 JB 1H 472K-T | T | 7.3/33 |
| C22 | 4030006880 | S.CER C1608 JB 1H 102K-T | T | 61/44.5 |
| C23 | 4030006880 | S.CER C1608 JB 1H 102K-T | T | 125.5/19.3 |
| C24 | 4030006880 | S.CER C1608 JB 1H 472K-T | T | 4.7/38.9 |
| C25 | 4030006880 | S.CER C1608 JB 1H 102K-T | T | 20.9/4.9 |
| C26 | 4030006880 | S.CER C1608 JB 1H 472K-T | T | 7.3/37 |
| C27 | 4030006880 | S.CER C1608 JB 1H 472K-T | T | 7.3/34.2 |
| C28 | 4030006880 | S.CER C1608 JB 1H 472K-T | T | 18.2/25.5 |
| C29 | 4030006880 | S.CER C1608 JB 1H 472K-T | T | 4.7/37.7 |
| C30 | 4030006880 | S.CER C1608 JB 1H 472K-T | T | 18.2/26.7 |
| C31 | 4030011600 | S.CER C1608 JB 1E 104K-T | T | 166.2/30.5 |
| C32 | 4030011340 | S.CER C1608 CH 1H 471J-T | T | 3.3/21.4 |
| C33 | 4030006880 | S.CER C1608 JB 1H 472K-T | T | 5.9/16.1 |
| C34 | 4030006880 | S.CER C1608 JB 1H 472K-T | T | 7.3/42.1 |
| C35 | 4030006880 | S.CER C1608 JB 1H 472K-T | T | 8.6/44.5 |
| C36 | 4030006880 | S.CER C1608 JB 1H 472K-T | T | 17.7/67.5 |
| C37 | 4030011600 | S.CER C1608 JB 1E 104K-T | T | 5/26 |
| C38 | 4030006880 | S.CER C1608 JB 1H 472K-T | T | 18.8/7.9 |
| C39 | 4030006880 | S.CER C1608 JB 1H 102K-T | T | 7.3/35.6 |
| C40 | 4030011340 | S.CER C1608 CH 1H 471J-T | T | 5.9/19 |
| C41 | 4030006880 | S.CER C1608 JB 1H 472K-T | T | 7.3/40.7 |
| C42 | 4030006880 | S.CER C1608 JB 1H 472K-T | T | 9.7/45.7 |
| C43 | 4030011600 | S.CER C1608 JB 1E 104K-T | T | 4.7/22.8 |
| C44 | 4030011600 | S.CER C1608 JB 1E 104K-T | T | 138.6/24.3 |
| C45 | 4030007090 | S.CER C1608 CH 1H 470J-T | T | 138.6/23.1 |
| C46 | 4030009990 | S.CER C1608 CH 1H 200J-T | T | 141.2/24.3 |
| C47 | 4030011600 | S.CER C1608 JB 1E 104K-T | T | 101/75 |
| C48 | 4030011600 | S.CER C1608 JB 1E 104K-T | T | 4.8/27.6 |
| C49 | 4030011600 | S.CER C1608 JB 1E 104K-T | T | 4.5/29.7 |
| C50 | 4030007120 | S.CER C1608 CH 1H 820J-T | T | 144.3/20.9 |
| C51 | 4030007110 | S.CER C1608 CH 1H 680J-T | T | 146.9/21.6 |
| C52 | 4030007070 | S.CER C1608 CH 1H 330J-T | T | 146.9/23.1 |
| C53 | 4030006880 | S.CER C1608 JB 1H 102K-T | T | 180.7/77.9 |
| C56 | 4030011600 | S.CER C1608 JB 1E 104K-T | T | 4.5/31.3 |
| C57 | 4030011600 | S.CER C1608 JB 1E 104K-T | T | 169.4/75.2 |
| C59 | 4030007130 | S.CER C1608 CH 1H 101J-T | T | 170.6/74 |
| C60 | 4030007090 | S.CER C1608 CH 1H 470J-T | T | 16.9/20.7 |
| C61 | 4030011600 | S.CER C1608 JB 1E 104K-T | T | 6/43.3 |
| C62 | 4510009820 | S.ELLE EEEFK1C470P | T | 5.3/49.3 |
| C63 | 4030006880 | S.CER C1608 JB 1H 472K-T | T | 164.8/21.3 |
| C64 | 4030011600 | S.CER C1608 JB 1E 104K-T | T | 100.5/20.1 |
| C65 | 4030011600 | S.CER C1608 JB 1E 104K-T | T | 52/72.1 |
| C66 | 4030007130 | S.CER C1608 CH 1H 101J-T | T | 127.5/25 |
| C67 | 4030018620 | S.CER C1608 CH 1H 222J-T | T | 186.9/32.8 |
| C68 | 4030011600 | S.CER C1608 JB 1E 104K-T | T | 98.6/26.3 |
| C69 | 4030007130 | S.CER C1608 CH 1H 101J-T | T | 98.8/15.8 |
| C71 | 4030007090 | S.CER C1608 CH 1H 470J-T | T | 151.2/72.8 |
| C81 | 4030006880 | S.CER C1608 JB 1H 472K-T | T | 155.6/68 |
| C501 | 4030007100 | S.CER C1608 CH 1H 560J-T | T | 157.3/73.6 |
| C502 | 4030006880 | S.CER C1608 JB 1H 472K-T | T | 160.5/75.1 |
| C503 | 4030011600 | S.CER C1608 JB 1E 104K-T | T | 160.5/73.9 |
| C504 | 4030006900 | S.CER C1608 JB 1H 103K-T | T | 156.3/81.4 |
| C505 | 4030006900 | S.CER C1608 JB 1H 103K-T | T | 153.1/77.6 |
| C506 | 4030006900 | S.CER C1608 JB 1H 1 | | |

[MAIN UNIT]

| REF NO. | PARTS NO. | DESCRIPTION | M. | H/V LOCATION |
|---------|------------|--------------------------|----|--------------|
| C539 | 4030011600 | S.CER C1608 JB 1E 104K-T | T | 145.1/43.1 |
| C540 | 4030006860 | S.CER C1608 JB 1H 102K-T | T | 142.1/40.7 |
| C541 | 4030006880 | S.CER C1608 JB 1H 472K-T | T | 158.6/63.1 |
| C542 | 4030006980 | S.CER C1608 CH 1H 070D-T | T | 137.9/61.4 |
| C543 | 4030009520 | S.CER C1608 CH 1H 020B-T | T | 134.9/65.3 |
| C544 | 4030009520 | S.CER C1608 CH 1H 020B-T | T | 145.1/64.4 |
| C545 | 4030006880 | S.CER C1608 JB 1H 472K-T | T | 124.6/65.7 |
| C546 | 4030011600 | S.CER C1608 JB 1E 104K-T | T | 140.9/40.7 |
| C547 | 4030007100 | S.CER C1608 CH 1H 560J-T | T | 147.8/41.9 |
| C548 | 4030011600 | S.CER C1608 JB 1E 104K-T | T | 143.3/27.5 |
| C549 | 4030007100 | S.CER C1608 CH 1H 560J-T | T | 147.7/43.1 |
| C550 | 4030011600 | S.CER C1608 JB 1E 104K-T | T | 138.7/38.8 |
| C551 | 4030006880 | S.CER C1608 JB 1H 472K-T | T | 119.9/61.9 |
| C552 | 4030006880 | S.CER C1608 JB 1H 472K-T | T | 125.2/49.7 |
| C553 | 4030006880 | S.CER C1608 JB 1H 472K-T | T | 133.2/58.1 |
| C554 | 4030006860 | S.CER C1608 JB 1H 102K-T | T | 131.3/48.4 |
| C555 | 4030006880 | S.CER C1608 JB 1H 472K-T | T | 137.3/50.6 |
| C556 | 4030008360 | S.CER C1608 UJ 1H 101J-T | T | 135.1/44.7 |
| C557 | 4030006880 | S.CER C1608 JB 1H 472K-T | T | 131.1/47.2 |
| C558 | 4030006880 | S.CER C1608 JB 1H 472K-T | T | 124.8/38.2 |
| C559 | 4030008360 | S.CER C1608 UJ 1H 101J-T | T | 133/53.2 |
| C560 | 4030006880 | S.CER C1608 JB 1H 472K-T | T | 124.8/42.2 |
| C565 | 4030011600 | S.CER C1608 JB 1E 104K-T | T | 148.8/30.1 |
| C566 | 4030011600 | S.CER C1608 JB 1E 104K-T | T | 149.3/27.6 |
| C567 | 4030006880 | S.CER C1608 JB 1H 472K-T | T | 169.4/48.6 |
| C572 | 4030011600 | S.CER C1608 JB 1E 104K-T | T | 120.3/43 |
| C574 | 4030006880 | S.CER C1608 JB 1H 472K-T | T | 118/57.1 |
| C575 | 4030011600 | S.CER C1608 JB 1E 104K-T | T | 94.4/45.1 |
| C576 | 4030011600 | S.CER C1608 JB 1E 104K-T | T | 128.2/35.6 |
| C577 | 4030011600 | S.CER C1608 JB 1E 104K-T | T | 84.2/38.7 |
| C578 | 4030011600 | S.CER C1608 JB 1E 104K-T | T | 111.8/32.3 |
| C581 | 4030007090 | S.CER C1608 CH 1H 470J-T | T | 118.8/28.8 |
| C583 | 4030011600 | S.CER C1608 JB 1E 104K-T | T | 124.7/37 |
| C584 | 4510009820 | S.ELE EEEFK1C470P | T | 128.5/29.9 |
| C585 | 4030011600 | S.CER C1608 JB 1E 104K-T | T | 122.3/28.8 |
| C586 | 4030006880 | S.CER C1608 JB 1H 472K-T | T | 118.5/23 |
| C587 | 4030006880 | S.CER C1608 JB 1H 472K-T | T | 112.6/27.8 |
| C588 | 4030011600 | S.CER C1608 JB 1E 104K-T | T | 115.2/27.8 |
| C589 | 4030011600 | S.CER C1608 JB 1E 104K-T | T | 113.5/34.7 |
| C590 | 4030011600 | S.CER C1608 JB 1E 104K-T | T | 57.7/44.5 |
| C591 | 4030011600 | S.CER C1608 JB 1E 104K-T | T | 108.2/38.5 |
| C594 | 4030011600 | S.CER C1608 JB 1E 104K-T | T | 72.3/41.7 |
| C595 | 4030019490 | S.CER C2012 JB 1A 106K-T | T | 75.5/41.1 |
| C596 | 4030006880 | S.CER C1608 JB 1H 472K-T | T | 81.6/47.9 |
| C597 | 4030017490 | S.CER C1608 JB 1A 105K-T | T | 76.4/45.3 |
| C598 | 4030011600 | S.CER C1608 JB 1E 104K-T | T | 79/45.3 |
| C599 | 4030006880 | S.CER C1608 JB 1H 472K-T | T | 74.9/43.3 |
| C600 | 4030006880 | S.CER C1608 JB 1H 472K-T | T | 72.3/43.3 |
| C601 | 4030011600 | S.CER C1608 JB 1E 104K-T | T | 107.6/30.2 |
| C602 | 4030011600 | S.CER C1608 JB 1E 104K-T | T | 96.7/35.7 |
| C603 | 4030007060 | S.CER C1608 CH 1H 270J-T | T | 166.9/57.5 |
| C604 | 4030007040 | S.CER C1608 CH 1H 180J-T | T | 166.9/56.3 |
| C605 | 4030007090 | S.CER C1608 CH 1H 470J-T | T | 168.8/52.5 |
| C607 | 4030007050 | S.CER C1608 CH 1H 220J-T | T | 166.1/48.6 |
| C618 | 4030011600 | S.CER C1608 JB 1E 104K-T | T | 93.3/32.2 |
| C619 | 4030011600 | S.CER C1608 JB 1E 104K-T | T | 90.1/34.5 |
| C620 | 4030011600 | S.CER C1608 JB 1E 104K-T | T | 89.9/27.4 |
| C621 | 4030011600 | S.CER C1608 JB 1E 104K-T | T | 84.7/35.5 |
| C622 | 4030011600 | S.CER C1608 JB 1E 104K-T | T | 84.8/32.1 |
| C623 | 4030019460 | S.CER C1608 JB 0J 106M-T | T | 87.3/28.5 |
| C651 | 4030006880 | S.CER C1608 JB 1H 472K-T | T | 160.4/53.1 |
| C652 | 4030011600 | S.CER C1608 JB 1E 104K-T | T | 88.3/44.4 |
| C653 | 4030006860 | S.CER C1608 JB 1H 102K-T | T | 88.3/48 |
| C654 | 4030007140 | S.CER C1608 CH 1H 121J-T | T | 88.3/50 |
| C655 | 4030011600 | S.CER C1608 JB 1E 104K-T | T | 90/55 |
| C656 | 4030011600 | S.CER C1608 JB 1E 104K-T | T | 98.4/51.3 |
| C657 | 4030019090 | S.CER C2012 JB 1C 225M-T | T | 90.3/57.7 |
| C658 | 4030011600 | S.CER C1608 JB 1E 104K-T | T | 97/45.1 |
| C659 | 4030007140 | S.CER C1608 CH 1H 121J-T | T | 98.4/46.3 |
| C660 | 4030011600 | S.CER C1608 JB 1E 104K-T | T | 95.5/41.5 |
| C661 | 4030006860 | S.CER C1608 JB 1H 102K-T | T | 101.2/40.7 |
| C662 | 4030011600 | S.CER C1608 JB 1E 104K-T | T | 97.9/39.1 |
| C663 | 4030011600 | S.CER C1608 JB 1E 104K-T | T | 92.4/46.8 |
| C664 | 4030011600 | S.CER C1608 JB 1E 104K-T | T | 83.3/41 |
| C665 | 4030011600 | S.CER C1608 JB 1E 104K-T | T | 127.6/23.1 |
| C666 | 4030011600 | S.CER C1608 JB 1E 104K-T | T | 100.5/21.9 |
| C667 | 4030011600 | S.CER C1608 JB 1E 104K-T | T | 70.1/27.3 |
| C669 | 4030006900 | S.CER C1608 JB 1H 103K-T | T | 73.3/32.4 |
| C670 | 4030009880 | S.CER C1608 JB 1H 682K-T | T | 73.3/31.2 |
| C671 | 4030006900 | S.CER C1608 JB 1H 103K-T | T | 72.6/33.6 |
| C672 | 4030006860 | S.CER C1608 JB 1H 102K-T | T | 91.5/53.5 |
| C673 | 4030019460 | S.CER C1608 JB 0J 106M-T | T | 66.9/34.5 |
| C674 | 4030017490 | S.CER C1608 JB 1A 105K-T | T | 66.9/35.7 |
| C675 | 4030019460 | S.CER C1608 JB 0J 106M-T | T | 68.3/40 |
| C676 | 4030017490 | S.CER C1608 JB 1A 105K-T | T | 68.3/38.8 |
| C677 | 4030019460 | S.CER C1608 JB 0J 106M-T | T | 69.7/32.6 |
| C678 | 4030017490 | S.CER C1608 JB 1A 105K-T | T | 72/38.3 |
| C679 | 4030011600 | S.CER C1608 JB 1E 104K-T | T | 82.6/33.3 |
| C680 | 4030017490 | S.CER C1608 JB 1A 105K-T | T | 76/31.2 |
| C681 | 4030006900 | S.CER C1608 JB 1H 103K-T | T | 77/26 |
| C682 | 4030006880 | S.CER C1608 JB 1H 472K-T | T | 175/22 |
| C683 | 4030006880 | S.CER C1608 JB 1H 472K-T | T | 129.8/24.4 |
| C684 | 4030006860 | S.CER C1608 JB 1H 102K-T | T | 80.1/26.8 |
| C1021 | 4030019490 | S.CER C2012 JB 1A 106K-T | T | 61.4/47.3 |
| C1022 | 4030011600 | S.CER C1608 JB 1E 104K-T | T | 59.2/49.4 |
| C1023 | 4030017490 | S.CER C1608 JB 1A 105K-T | T | 63.6/46.9 |
| C1024 | 4030017490 | S.CER C1608 JB 1A 105K-T | T | 60.6/38.4 |
| C1025 | 4030019460 | S.CER C1608 JB 0J 106M-T | T | 54.5/51.1 |
| C1031 | 4030019460 | S.CER C1608 JB 0J 106M-T | T | 4.1/83.2 |
| C1032 | 4030019460 | S.CER C1608 JB 0J 106M-T | T | 8.5/74.6 |
| C1033 | 4030017490 | S.CER C1608 JB 1A 105K-T | T | 50.4/43 |
| C1034 | 4030011340 | S.CER C1608 CH 1H 471J-T | T | 51.6/40.6 |
| C1035 | 4030011600 | S.CER C1608 JB 1E 104K-T | T | 56.3/41.2 |
| C1036 | 4030019460 | S.CER C1608 JB 0J 106M-T | T | 165.8/97.3 |

[MAIN UNIT]

| REF NO. | PARTS NO. | DESCRIPTION | M. | H/V LOCATION |
|---------|------------|---------------------------|----|--------------|
| C1037 | 4030011600 | S.CER C1608 JB 1E 104K-T | T | 104.6/18.7 |
| C1038 | 4030019090 | S.CER C2012 JB 1C 225M-T | T | 107.9/15.9 |
| C1039 | 4030017490 | S.CER C1608 JB 1A 105K-T | T | 108.3/14.4 |
| C1040 | 4030019490 | S.CER C2012 JB 1A 106K-T | T | 103.9/20.5 |
| C1041 | 4030019460 | S.CER C1608 JB 0J 106M-T | T | 2.7/77 |
| C1043 | 4030019460 | S.CER C1608 JB 0J 106M-T | T | 53.5/43 |
| C1051 | 4030018620 | S.CER C1608 CH 1H 222J-T | T | 15.1/77.4 |
| C1053 | 4030011600 | S.CER C1608 JB 1E 104K-T | T | 21.2/80.6 |
| C1054 | 4030011600 | S.CER C1608 JB 1E 104K-T | T | 15.1/81 |
| C1055 | 4030007130 | S.CER C1608 CH 1H 101J-T | T | 45.2/74.6 |
| C1071 | 4030019460 | S.CER C1608 JB 0J 106M-T | T | 159.6/90.3 |
| C1072 | 4030019460 | S.CER C1608 JB 0J 106M-T | T | 9.4/82 |
| C1081 | 4030019460 | S.CER C1608 JB 0J 106M-T | T | 164.2/91.9 |
| C1082 | 4030011600 | S.CER C1608 JB 1E 104K-T | T | 165.8/96.1 |
| C1083 | 4030006860 | S.CER C1608 JB 1H 102K-T | T | 157/93.9 |
| C1085 | 4030011600 | S.CER C1608 JB 1E 104K-T | T | 2.7/78.2 |
| C1086 | 4030011600 | S.CER C1608 JB 1E 104K-T | T | 8.5/77 |
| C1087 | 4030019460 | S.CER C1608 JB 0J 106M-T | T | 2.7/73.8 |
| C1088 | 4030019460 | S.CER C1608 JB 0J 106M-T | T | 157/92.7 |
| C1089 | 4030008920 | S.CER C1608 JB 1H 473K-T | T | 166.9/100.1 |
| C1091 | 4030008920 | S.CER C1608 JB 1H 473K-T | T | 168.4/98.8 |
| C1092 | 4030017490 | S.CER C1608 JB 1A 105K-T | T | 171/100.1 |
| C1093 | 4030006900 | S.CER C1608 JB 1H 103K-T | T | 171/98.8 |
| C1094 | 4030011600 | S.CER C1608 JB 1E 104K-T | T | 176.4/95.9 |
| C1095 | 4510009250 | S.ELE EEEFK1C471P | T | 172/90.8 |
| C1096 | 4510009250 | S.ELE EEEFK1C471P | T | 189.6/91.8 |
| C1097 | 4030011600 | S.CER C1608 JB 1E 104K-T | T | 183.2/85.1 |
| C1098 | 4510009250 | S.ELE EEEFK1C471P | T | 180.8/90.8 |
| C1511 | 4030006880 | S.CER C1608 JB 1H 472K-T | T | 63.7/38 |
| C1512 | 4030006880 | S.CER C1608 JB 1H 472K-T | T | 63.8/35 |
| C1520 | 4030018970 | S.CER C3225 JB 1C 226MT-N | T | 25.9/74.1 |
| C1521 | 4030018970 | S.CER C3225 JB 1C 226MT-N | T | 25.9/77.1 |
| C1522 | 4030011600 | S.CER C1608 JB 1E 104K-T | T | 26.7/79.2 |
| C1523 | 4030011600 | S.CER C1608 JB 1E 104K-T | T | 30.1/72.2 |
| C1524 | 4030018970 | S.CER C3225 JB 1C 226MT-N | T | 30.4/77.1 |
| C1531 | 4030006880 | S.CER C1608 JB 1H 472K-T | T | 49.1/41.7 |
| C1532 | 4030007130 | S.CER C1608 CH 1H 101J-T | T | 43.3/42.7 |
| C1533 | 4030007130 | S.CER C1608 CH 1H 101J-T | T | 47.4/42.9 |
| C1534 | 4030007130 | S.CER C1608 CH 1H 101J-T | T | 47.1/34.3 |
| C1553 | 4030011600 | S.CER C1608 JB 1E 104K-T | T | 65.6/12.6 |
| C1554 | 4030011600 | S.CER C1608 JB 1E 104K-T | T | 66.2/20.8 |
| C1555 | 4030011600 | S.CER C1608 JB 1E 104K-T | T | 66.2/26.3 |
| C1556 | 4030011600 | S.CER C1608 JB 1E 104K-T | T | 48.5/34 |
| C1557 | 4030011600 | S.CER C1608 JB 1E 104K-T | T | 34.2/26.7 |
| C1558 | 4030011600 | S.CER C1608 JB 1E 104K-T | T | 34.9/18.5 |
| C1559 | 4030011600 | S.CER C1608 JB 1E 104K-T | T | 35.8/11.5 |
| C1560 | 4030011600 | S.CER C1608 JB 1E 104K-T | T | 50.3/3.6 |
| C1561 | 4030011600 | S.CER C1608 JB 1E 104K-T | T | 67/13.1 |
| C1562 | 4030011600 | S.CER C1608 JB 1E 104K-T | T | 65.4/7.3 |
| C1563 | 4030011600 | S.CER C1608 JB 1E 104K-T | T | 54.3/3.8 |
| C1564 | 4030011600 | S.CER C1608 JB 1E 104K-T | T | 48.8/3.6 |
| C1565 | 4030011600 | S.CER C1608 JB 1E 104K-T | T | 40.4/3.2 |
| C1566 | 4030011600 | S.CER C1608 JB 1E 104K-T | T | 34.9/15.9 |
| C1567 | 4030011600 | S.CER C1608 JB 1E 104K-T | T | 35.9/24.3 |
| C1568 | 4030011600 | S.CER C1608 JB 1E 104K-T | T | 35.9/30.4 |
| C1569 | 4030011600 | S.CER C1608 JB 1E 104K-T | T | 44.7/34 |
| C1570 | 4030011600 | S.CER C1608 JB 1E 104K-T | T | 52.1/34 |
| C1571 | 4030011600 | S.CER C1608 JB 1E 104K-T | T | 54.5/34 |
| C1572 | 4030011600 | S.CER C1608 JB 1E 104K-T | T | 58.8/33.3 |
| C1573 | 4030011600 | S.CER C1608 JB 1E 104K-T | T | 65/27.6 |
| C1574 | 4030011600 | S.CER C1608 JB 1E 104K-T | T | 65/19.1 |
| C1575 | 4030011600 | S.CER C1608 JB 1E 104K-T | T | 50.9/34 |
| C1576 | 4030011600 | S.CER C1608 JB 1E 104K-T | T | 61.4/33.3 |
| C1592 | 4030017490 | S.CER C1608 JB 1A 105K-T | T | 78.3/9.9 |
| C1593 | 4030017490 | S.CER C1608 JB 1A 105K-T | T | 78.9/24.3 |
| C1594 | 4030019460 | S.CER C1608 JB 0J 106M-T | T | 76/8.6 |
| C1595 | 4510009820 | S.ELE EEEFK1C470P | T | 78/4.4 |
| C1601 | 4030011600 | S.CER C1608 JB 1E 104K-T | T | 45.9/49.4 |
| C1602 | 4030019490 | S.CER C2012 JB 1A 106K-T | T | 48.8/49.3 |
| C1603 | 4030017490 | S.CER C1608 JB 1A 105K-T | T | 37.2/49.4 |
| C1604 | 4030017490 | S.CER C1608 JB 1A 105K-T | T | 53.7/46.6 |
| C1605 | 40300 | | | |

[MAIN UNIT]

| REF NO. | PARTS NO. | DESCRIPTION | M. | H/V LOCATION |
|---------|------------|--------------------------|----|--------------|
| C1706 | 4030007170 | S.CER C1608 CH 1H 221J-T | T | 8.6/67.2 |
| C1707 | 4030007170 | S.CER C1608 CH 1H 221J-T | T | 12.7/68.4 |
| C1708 | 4030007170 | S.CER C1608 CH 1H 221J-T | T | 15.6/67.2 |
| C1709 | 4030017490 | S.CER C1608 JB 1A 105K-T | T | 9.7/73.4 |
| C1710 | 4030017490 | S.CER C1608 JB 1A 105K-T | T | 17.2/71.6 |
| C1711 | 4030011600 | S.CER C1608 JB 1E 104K-T | T | 8.6/68.4 |
| C1712 | 4030019490 | S.CER C2012 JB 1A 106K-T | T | 12.7/73.6 |
| C2011 | 4030007070 | S.CER C1608 CH 1H 330J-T | T | 59.8/78.2 |
| C2012 | 4030006880 | S.CER C1608 JB 1H 472K-T | T | 70.3/82.1 |
| C2013 | 4030006860 | S.CER C1608 JB 1H 102K-T | T | 68.8/78.3 |
| C2014 | 4030006880 | S.CER C1608 JB 1H 472K-T | T | 74.9/77.7 |
| C2015 | 4030006880 | S.CER C1608 JB 1H 472K-T | T | 64.2/76.9 |
| C2016 | 4030006880 | S.CER C1608 JB 1H 472K-T | T | 64.3/83.8 |
| C2017 | 4030006860 | S.CER C1608 JB 1H 102K-T | T | 63.3/82.5 |
| C2021 | 4030006880 | S.CER C1608 JB 1H 472K-T | T | 62.9/61.2 |
| C2022 | 4030007100 | S.CER C1608 CH 1H 560J-T | T | 60.3/61.2 |
| C2023 | 4030007060 | S.CER C1608 CH 1H 270J-T | T | 61.4/60 |
| C2024 | 4030007140 | S.CER C1608 CH 1H 121J-T | T | 58.8/60 |
| C2025 | 4030007100 | S.CER C1608 CH 1H 560J-T | T | 63/56.2 |
| C2026 | 4030007110 | S.CER C1608 CH 1H 680J-T | T | 60.4/56.2 |
| C2040 | 4030007060 | S.CER C1608 CH 1H 270J-T | T | 71.9/71.6 |
| C2041 | 4030006880 | S.CER C1608 JB 1H 472K-T | T | 75.9/70.4 |
| C2042 | 4030011600 | S.CER C1608 JB 1E 104K-T | T | 72.7/67.8 |
| C2043 | 4030006880 | S.CER C1608 JB 1H 472K-T | T | 72/66.6 |
| C2044 | 4030011600 | S.CER C1608 JB 1E 104K-T | T | 72.6/53.8 |
| C2045 | 4030019490 | S.CER C2012 JB 1A 106K-T | T | 70.5/53.2 |
| C2046 | 4030006880 | S.CER C1608 JB 1H 472K-T | T | 72.6/55 |
| C2047 | 4030011600 | S.CER C1608 JB 1E 104K-T | T | 75.2/55 |
| C2048 | 4030019490 | S.CER C2012 JB 1A 106K-T | T | 75.5/53.4 |
| C2049 | 4030011600 | S.CER C1608 JB 1E 104K-T | T | 71.6/60.6 |
| C2050 | 4030009880 | S.CER C1608 JB 1H 682K-T | T | 71.6/59.4 |
| C2051 | 4030009910 | S.CER C1608 CH 1H 040B-T | T | 70.1/58.2 |
| C2052 | 4030009880 | S.CER C1608 JB 1H 682K-T | T | 69/57 |
| C2053 | 4030007090 | S.CER C1608 CH 1H 470J-T | T | 58.9/41.8 |
| C2054 | 4030018620 | S.CER C1608 CH 1H 222J-T | T | 69/55.8 |
| C2055 | 4030006880 | S.CER C1608 JB 1H 472K-T | T | 65.7/53.6 |
| C2061 | 4030006990 | S.CER C1608 CH 1H 080D-T | T | 63/69.3 |
| C2070 | 4030006980 | S.CER C1608 CH 1H 070D-T | T | 86.1/77.5 |
| C2071 | 4030007070 | S.CER C1608 CH 1H 330J-T | T | 79/81.3 |
| C2072 | 4030010760 | S.CER C1608 CH 1H 331J-T | T | 80.5/80.1 |
| C2073 | 4030007070 | S.CER C1608 CH 1H 330J-T | T | 81.6/81.3 |
| C2074 | 4030010760 | S.CER C1608 CH 1H 331J-T | T | 83.3/80.1 |
| C2075 | 4030007090 | S.CER C1608 CH 1H 470J-T | T | 84.2/81.3 |
| C2076 | 4030007110 | S.CER C1608 CH 1H 680J-T | T | 86.1/76.3 |
| C2077 | 4030007040 | S.CER C1608 CH 1H 180J-T | T | 87.6/81.3 |
| C2078 | 4030007150 | S.CER C1608 CH 1H 151J-T | T | 87.6/75.1 |
| C2079 | 4030011770 | S.CER C1608 CH 1H 060B-T | T | 85.7/72.8 |
| C2080 | 4030007150 | S.CER C1608 CH 1H 151J-T | T | 83.1/73.4 |
| C2081 | 4030011770 | S.CER C1608 CH 1H 060B-T | T | 87.2/68.1 |
| C2082 | 4030007120 | S.CER C1608 CH 1H 820J-T | T | 83.9/71.7 |
| C2083 | 4030011770 | S.CER C1608 CH 1H 060B-T | T | 85.7/74 |
| C2091 | 4030006860 | S.CER C1608 JB 1H 102K-T | T | 83.1/66.9 |
| C2092 | 4030006860 | S.CER C1608 JB 1H 102K-T | T | 80.1/68.1 |
| C2093 | 4030006860 | S.CER C1608 JB 1H 102K-T | T | 80.1/64.3 |
| C2101 | 4030007080 | S.CER C1608 CH 1H 390J-T | T | 92/61.5 |
| C2102 | 4030009530 | S.CER C1608 CH 1H 030B-T | T | 94.6/62.1 |
| C2103 | 4030007110 | S.CER C1608 CH 1H 680J-T | T | 93.4/60.3 |
| C2104 | 4030006980 | S.CER C1608 CH 1H 070D-T | T | 96.1/60.9 |
| C2105 | 4030007030 | S.CER C1608 CH 1H 150J-T | T | 96.1/59.7 |
| C2131 | 4030011770 | S.CER C1608 CH 1H 060B-T | T | 50.2/64.1 |
| C2132 | 4030007150 | S.CER C1608 CH 1H 151J-T | T | 50.2/65.4 |
| C2133 | 4030009910 | S.CER C1608 CH 1H 040B-T | T | 47.6/64.1 |
| C2134 | 4030007120 | S.CER C1608 CH 1H 820J-T | T | 47.6/65.4 |
| C2135 | 4030009920 | S.CER C1608 CH 1H 050B-T | T | 45/64.1 |
| C2136 | 4030007080 | S.CER C1608 CH 1H 390J-T | T | 45/65.4 |
| C2137 | 4030006980 | S.CER C1608 CH 1H 070D-T | T | 43.5/66.6 |
| C2138 | 4030007050 | S.CER C1608 CH 1H 220J-T | T | 43.5/68 |
| C2139 | 4030009530 | S.CER C1608 CH 1H 030B-T | T | 38.6/66.2 |
| C2140 | 4030007070 | S.CER C1608 CH 1H 330J-T | T | 41.1/70 |
| C2141 | 4030009510 | S.CER C1608 CH 1H 010B-T | T | 38.5/70 |
| C2142 | 4030007080 | S.CER C1608 CH 1H 390J-T | T | 40/71.2 |
| C2143 | 4030009500 | S.CER C1608 CH 1H 0R5B-T | T | 40/72.4 |
| C2144 | 4030007040 | S.CER C1608 CH 1H 180J-T | T | 42.6/71.2 |
| C2145 | 4030011770 | S.CER C1608 CH 1H 060B-T | T | 42.6/72.4 |
| C2151 | 4030006860 | S.CER C1608 JB 1H 102K-T | T | 41.5/75 |
| C2152 | 4030006860 | S.CER C1608 JB 1H 102K-T | T | 43.3/77.2 |
| C2153 | 4030011600 | S.CER C1608 JB 1E 104K-T | T | 42.7/81.5 |
| C2154 | 4030006990 | S.CER C1608 CH 1H 080D-T | T | 43.5/83 |
| C2501 | 4030011600 | S.CER C1608 JB 1E 104K-T | T | 52.4/85.2 |
| C2502 | 4030011600 | S.CER C1608 JB 1E 104K-T | T | 51.3/80.2 |
| C2503 | 4030006880 | S.CER C1608 JB 1H 472K-T | T | 57/78.2 |
| C2504 | 4030011600 | S.CER C1608 JB 1E 104K-T | T | 57/76.9 |
| C2548 | 4030011600 | S.CER C1608 JB 1E 104K-T | T | 42.4/86.1 |
| C2549 | 4030011600 | S.CER C1608 JB 1E 104K-T | T | 43.8/86.1 |
| C2550 | 4030007050 | S.CER C1608 CH 1H 220J-T | T | 45.9/85.7 |
| C2551 | 4030011600 | S.CER C1608 JB 1E 104K-T | T | 46.4/86.9 |
| C2553 | 4030011600 | S.CER C1608 JB 1E 104K-T | T | 36.6/92.4 |
| C2554 | 4030019490 | S.CER C2012 JB 1A 106K-T | T | 51/90.7 |
| C2555 | 4030011600 | S.CER C1608 JB 1E 104K-T | T | 50.8/89.2 |
| C2556 | 4030019460 | S.CER C1608 JB 0J 106M-T | T | 49.3/88 |
| C2557 | 4030011600 | S.CER C1608 JB 1E 104K-T | T | 51.2/94.7 |
| C2558 | 4030006880 | S.CER C1608 JB 1H 472K-T | T | 46.9/99.2 |
| C2559 | 4030019490 | S.CER C2012 JB 1A 106K-T | T | 36.3/90.8 |
| C2560 | 4030007070 | S.CER C1608 CH 1H 330J-T | T | 43/84.2 |
| C2563 | 4030007060 | S.CER C1608 CH 1H 270J-T | T | 65.3/90.3 |
| C2564 | 4030007120 | S.CER C1608 CH 1H 820J-T | T | 65.3/95.6 |
| C2565 | 4030007060 | S.CER C1608 CH 1H 270J-T | T | 67.5/96.3 |
| C2566 | 4030007030 | S.CER C1608 CH 1H 150J-T | T | 65.3/96.8 |
| C2575 | 4030007100 | S.CER C1608 CH 1H 560J-T | T | 80.2/95 |
| C2576 | 4030007070 | S.CER C1608 CH 1H 330J-T | T | 80.2/90.1 |
| C2577 | 4030007150 | S.CER C1608 CH 1H 151J-T | T | 81.7/96.2 |
| C2578 | 4030007100 | S.CER C1608 CH 1H 560J-T | T | 82.4/98.6 |
| C2579 | 4030007040 | S.CER C1608 CH 1H 180J-T | T | 85.1/95 |
| C2580 | 4030007080 | S.CER C1608 CH 1H 390J-T | T | 85.1/93.8 |

[MAIN UNIT]

| REF NO. | PARTS NO. | DESCRIPTION | M. | H/V LOCATION |
|---------|------------|--------------------------|----|--------------|
| C2581 | 4030007050 | S.CER C1608 CH 1H 220J-T | T | 87.8/93.6 |
| C2582 | 4030007140 | S.CER C1608 CH 1H 121J-T | T | 81.7/97.4 |
| C2594 | 4030007080 | S.CER C1608 CH 1H 390J-T | T | 54.3/89.2 |
| C2595 | 4030011600 | S.CER C1608 JB 1E 104K-T | T | 54.6/96.2 |
| C2596 | 4030006880 | S.CER C1608 JB 1H 472K-T | T | 57.4/97.4 |
| C2597 | 4030006880 | S.CER C1608 JB 1H 472K-T | T | 68.6/98.2 |
| C2598 | 4030007090 | S.CER C1608 CH 1H 470J-T | T | 67.2/91.4 |
| C2599 | 4030007130 | S.CER C1608 CH 1H 101J-T | T | 67.9/94.4 |
| C2601 | 4030006860 | S.CER C1608 JB 1H 102K-T | T | 94.3/94.2 |
| C2602 | 4030006860 | S.CER C1608 JB 1H 102K-T | T | 97.2/90.4 |
| C2603 | 4030011600 | S.CER C1608 JB 1E 104K-T | T | 97.2/91.6 |
| C2604 | 4030006860 | S.CER C1608 JB 1H 102K-T | T | 100.6/95.8 |
| C2605 | 4030009990 | S.CER C1608 CH 1H 200J-T | T | 102.3/92 |
| C2606 | 4030009530 | S.CER C1608 CH 1H 030B-T | T | 104.9/92 |
| C2607 | 4030007070 | S.CER C1608 CH 1H 330J-T | T | 104.9/89.6 |
| C2608 | 4030009500 | S.CER C1608 CH 1H 0R5B-T | T | 104.9/90.8 |
| C2615 | 4030011600 | S.CER C1608 JB 1E 104K-T | T | 4.4/24.2 |
| C2623 | 4030006880 | S.CER C1608 JB 1H 472K-T | T | 166.6/1.6 |
| C2702 | 4030006880 | S.CER C1608 JB 1H 472K-T | T | 105.4/84.1 |
| C2703 | 4030006860 | S.CER C1608 JB 1H 102K-T | T | 142.6/92.6 |
| C2704 | 4510009820 | S.ELE EEEFK1C470P | T | 153/85.6 |
| C2705 | 4030006860 | S.CER C1608 JB 1H 102K-T | T | 150.5/90.2 |
| C2706 | 4030006860 | S.CER C1608 JB 1H 102K-T | T | 144.4/87 |
| C2707 | 4030006860 | S.CER C1608 JB 1H 102K-T | T | 142.6/79 |
| C2708 | 4030006860 | S.CER C1608 JB 1H 102K-T | T | 144.3/73.4 |
| C2711 | 4030006880 | S.CER C1608 JB 1H 472K-T | T | 149.4/81.3 |
| C2712 | 4030006980 | S.CER C1608 CH 1H 070D-T | T | 153.1/78.9 |
| C2713 | 4030007050 | S.CER C1608 CH 1H 220J-T | T | 149.4/78.9 |
| C2714 | 4030007050 | S.CER C1608 CH 1H 220J-T | T | 149.4/80.1 |
| C2715 | 4030007130 | S.CER C1608 CH 1H 101J-T | T | 98.8/17 |
| C2800 | 4030009530 | S.CER C1608 CH 1H 030B-T | T | 121/98.4 |
| C2801 | 4030010000 | S.CER C1608 CH 1H 510J-T | T | 117.7/99.6 |
| C2802 | 4030007060 | S.CER C1608 CH 1H 270J-T | T | 120.3/99.6 |
| C2803 | 4030007070 | S.CER C1608 CH 1H 330J-T | T | 122.9/99.6 |
| C2804 | 4030006880 | S.CER C1608 JB 1H 472K-T | T | 125.5/99.6 |
| C2805 | 4030018580 | S.CER C1608 CH 1H 821J-T | T | 118.4/98.4 |
| C2806 | 4030011340 | S.CER C1608 CH 1H 471J-T | T | 121.6/97.1 |
| C2807 | 4030007090 | S.CER C1608 CH 1H 470J-T | T | 126.4/94.6 |
| C2808 | 4030006980 | S.CER C1608 CH 1H 070D-T | T | 127/98.4 |
| C2809 | 4030006880 | S.CER C1608 JB 1H 472K-T | T | 138.5/97.2 |
| C2810 | 4030007130 | S.CER C1608 CH 1H 101J-T | T | 129.2/94.2 |
| C2811 | 4030009920 | S.CER C1608 CH 1H 050B-T | T | 128.5/99.6 |
| C2812 | 4030007120 | S.CER C1608 CH 1H 820J-T | T | 131.8/94.8 |
| C2813 | 4030009500 | S.CER C1608 CH 1H 0R5B-T | T | 133.3/97.2 |
| C2814 | 4030007060 | S.CER C1608 CH 1H 270J-T | T | 131.8/96 |
| C2815 | 4030007110 | S.CER C1608 CH 1H 680J-T | T | 134.4/96 |
| C2816 | 4030006880 | S.CER C1608 JB 1H 472K-T | T | 141.8/95.1 |
| C2817 | 4030009530 | S.CER C1608 CH 1H 030B-T | T | 123.6/98.4 |
| C2850 | 4030009530 | S.CER C1608 CH 1H 030B-T | T | 122.3/91.6 |
| C2851 | 4030009500 | S.CER C1608 CH 1H 0R5B-T | T | 133.3/90.4 |
| C2852 | 4030007090 | S.CER C1608 CH 1H 470J-T | T | 118.4/92.8 |
| C2853 | 4030007060 | S.CER C1608 CH 1H 270J-T | T | 121/92.8 |
| C2854 | 4030007060 | S.CER C1608 CH 1H 270J-T | T | 123.6/93 |
| C2855 | 4030006880 | S.CER C1608 JB 1H 472K-T | T | 126.2/93 |
| C2856 | 4030017800 | S.CER C1608 CH 1H 561J-T | T | 118.8/91.6 |
| C2857 | 4030010760 | S.CER C1608 CH 1H 331J-T | T | 121.7/90.4 |
| C2858 | 4030010000 | S.CER C1608 CH 1H 510J-T | T | 125.6/87.8 |
| C2859 | 4030006980 | S.CER C1608 CH 1H 070D-T | T | 127.7/91.6 |
| C2860 | 4030018020 | S.CER C1608 CH 1H 910J-T | T | 129.2/87.8 |
| C2861 | 4030006880 | S.CER C1608 JB 1H 472K-T | T | 138.5/90.4 |
| C2862 | 4030009530 | S.CER C1608 CH 1H 030B-T | T | 131/89 |
| C2863 | 4030018020 | S.CER C1608 CH 1H 910J-T | T | 131.8/87.8 |
| C2865 | 4030006880 | S.CER C1608 JB 1H 472K-T | T | 141.8/88.2 |
| C2866 | 4030007030 | S.CER C1608 CH 1H 150J-T | T | 137/88 |
| C2867 | 4030007150 | S.CER C1608 CH 1H 151J-T | T | 123.6/87.8 |
| C2900 | 4030011770 | S.CER C1608 CH 1H 060B-T | T | 122.3/84.8 |
| C2901 | 4030007070 | S.CER C1608 CH 1H 330J-T | T | 118.4/86 |
| C2902 | 4030010760 | S.CER C1608 CH 1H 331J-T | T | 119.1/84.8 |
| C2903 | 4030009990 | S.CER C1608 CH 1H 200J-T | T | 121/86 |
| C2904 | 4030007170 | S.CER C1608 CH 1H 221J-T | T | 122.3/ |

[MAIN UNIT]

| REF NO. | PARTS NO. | DESCRIPTION | M. | H/V LOCATION |
|---------|------------|-----------------------------|----|--------------|
| C2973 | 4030011600 | S.CER C1608 JB 1E 104K-T | T | 94.4/1.8 |
| C2974 | 4030011600 | S.CER C1608 JB 1E 104K-T | T | 92.5/11.7 |
| C2975 | 4030011600 | S.CER C1608 JB 1E 104K-T | T | 95.1/13.3 |
| C2976 | 4030011600 | S.CER C1608 JB 1E 104K-T | T | 92.5/13.4 |
| C2977 | 4030011600 | S.CER C1608 JB 1E 104K-T | T | 101.2/6.3 |
| C2981 | 4030006880 | S.CER C1608 JB 1H 472K-T | T | 169.3/2.2 |
| C2982 | 4030019090 | S.CER C2012 JB 1C 225M-T | T | 148.3/4.1 |
| C2983 | 4030006880 | S.CER C1608 JB 1H 472K-T | T | 146.9/1.8 |
| C2984 | 4030006880 | S.CER C1608 JB 1H 472K-T | T | 140.4/3.3 |
| C2985 | 4030006860 | S.CER C1608 JB 1H 102K-T | T | 123.1/6.3 |
| C2986 | 4030006860 | S.CER C1608 JB 1H 102K-T | T | 130.4/5.1 |
| C2987 | 4030006860 | S.CER C1608 JB 1H 102K-T | T | 135/3.1 |
| C2988 | 4030006860 | S.CER C1608 JB 1H 102K-T | T | 137.8/3.1 |
| C2989 | 4030006880 | S.CER C1608 JB 1H 472K-T | T | 181.8/5.8 |
| C2991 | 4030006880 | S.CER C1608 JB 1H 472K-T | T | 157.4/3.8 |
| C2992 | 4030006880 | S.CER C1608 JB 1H 472K-T | T | 154.8/2.6 |
| C2993 | 4030006880 | S.CER C1608 JB 1H 472K-T | T | 160.3/2.6 |
| C2994 | 4030006880 | S.CER C1608 JB 1H 472K-T | T | 162.9/1.7 |
| C2996 | 4030006880 | S.CER C1608 JB 1H 472K-T | T | 180.4/27.2 |
| C2997 | 4030006880 | S.CER C1608 JB 1H 472K-T | T | 181.6/27.2 |
| C2998 | 4030006880 | S.CER C1608 JB 1H 472K-T | T | 182.8/27.2 |
| C2999 | 4030006880 | S.CER C1608 JB 1H 472K-T | T | 184/27.2 |
| C3000 | 4030006880 | S.CER C1608 JB 1H 472K-T | T | 185.2/27.2 |
| C3001 | 4030006880 | S.CER C1608 JB 1H 472K-T | T | 186.4/27.2 |
| C3002 | 4030006880 | S.CER C1608 JB 1H 472K-T | T | 97/14.6 |
| C3005 | 4030006880 | S.CER C1608 JB 1H 472K-T | T | 179/13.7 |
| C3006 | 4030006880 | S.CER C1608 JB 1H 472K-T | T | 177.1/1.6 |
| C3010 | 4030019490 | S.CER C2012 JB 1A 106K-T | T | 135.9/56 |
| C3011 | 4030019490 | S.CER C2012 JB 1A 106K-T | T | 135.5/40.6 |
| C3026 | 4030006880 | S.CER C1608 JB 1H 472K-T | T | 136.6/54.4 |
| C3027 | 4030006880 | S.CER C1608 JB 1H 472K-T | T | 135.2/42.1 |
| C3201 | 4030011600 | S.CER C1608 JB 1E 104K-T | T | 173.4/59 |
| C3202 | 4030006880 | S.CER C1608 JB 1H 472K-T | T | 171.8/56.6 |
| C3203 | 4030011600 | S.CER C1608 JB 1E 104K-T | T | 174.4/56.6 |
| C3204 | 4030007040 | S.CER C1608 CH 1H 180J-T | T | 175.4/53.1 |
| C3205 | 4030007040 | S.CER C1608 CH 1H 180J-T | T | 181.7/52.8 |
| C3206 | 4030019490 | S.CER C2012 JB 1A 106K-T | T | 175.8/54.7 |
| C3207 | 4030011600 | S.CER C1608 JB 1E 104K-T | T | 184.4/57.5 |
| C3208 | 4030011600 | S.CER C1608 JB 1E 104K-T | T | 182/54 |
| C3209 | 4030011600 | S.CER C1608 JB 1E 104K-T | T | 180.6/66.1 |
| C3210 | 4030006880 | S.CER C1608 JB 1H 472K-T | T | 189.9/59.3 |
| C3214 | 4030011600 | S.CER C1608 JB 1E 104K-T | T | 169.1/63.8 |
| C3215 | 4030019490 | S.CER C2012 JB 1A 106K-T | T | 180.7/45.2 |
| C3216 | 4030019490 | S.CER C2012 JB 1A 106K-T | T | 172.9/45.3 |
| C3217 | 4030019490 | S.CER C2012 JB 1A 106K-T | T | 183.5/37.6 |
| C3218 | 4030007040 | S.CER C1608 CH 1H 180J-T | T | 174/34.4 |
| C3219 | 4030007040 | S.CER C1608 CH 1H 180J-T | T | 179.2/34.4 |
| C3220 | 4030019490 | S.CER C2012 JB 1A 106K-T | T | 183.6/74.7 |
| C3221 | 4030017490 | S.CER C1608 JB 1A 105K-T | T | 182.4/73.2 |
| C3222 | 4030017490 | S.CER C1608 JB 1A 105K-T | T | 180/74.5 |
| C3223 | 4030011600 | S.CER C1608 JB 1E 104K-T | T | 169.7/67.2 |
| C3224 | 4030011600 | S.CER C1608 JB 1E 104K-T | T | 182.2/46.7 |
| C3225 | 4030019460 | S.CER C1608 JB 0J 106M-T | T | 169.5/40.4 |
| C3226 | 4030019490 | S.CER C2012 JB 1A 106K-T | T | 176.2/45.3 |
| C3227 | 4030011600 | S.CER C1608 JB 1E 104K-T | T | 175.9/46.9 |
| C3228 | 4030019460 | S.CER C1608 JB 0J 106M-T | T | 171.4/36.3 |
| C3229 | 4030011600 | S.CER C1608 JB 1E 104K-T | T | 185.6/38 |
| C3230 | 4030019490 | S.CER C2012 JB 1A 106K-T | T | 173.5/65 |
| C3231 | 4030007090 | S.CER C1608 CH 1H 470J-T | T | 82.8/27.6 |
| C3232 | 4030007090 | S.CER C1608 CH 1H 470J-T | T | 18.8/9.3 |
| C3233 | 4030007090 | S.CER C1608 CH 1H 470J-T | T | 17.7/10.7 |
| C3234 | 4030007090 | S.CER C1608 CH 1H 470J-T | T | 17.7/12.1 |
| C3235 | 4030007090 | S.CER C1608 CH 1H 470J-T | T | 17.7/13.5 |
| C3236 | 4030007090 | S.CER C1608 CH 1H 470J-T | T | 17.7/14.7 |
| C3237 | 4030007150 | S.CER C1608 CH 1H 151J-T | T | 118/45.4 |
| C3238 | 4030007150 | S.CER C1608 CH 1H 151J-T | T | 118/44.2 |
| C3239 | 4030007150 | S.CER C1608 CH 1H 151J-T | T | 120.3/47.5 |
| C3240 | 4030007150 | S.CER C1608 CH 1H 151J-T | T | 120.3/48.7 |
| C3241 | 4030006880 | S.CER C1608 JB 1H 472K-T | T | 96.6/67.9 |
| C3242 | 4030018970 | S.CER C3225 JB 1C 226MT-N | T | 30.5/97.5 |
| C3243 | 4030011600 | S.CER C1608 JB 1E 104K-T | T | 26.5/99.7 |
| C3244 | 4030011600 | S.CER C1608 JB 1E 104K-T | T | 23.4/99.7 |
| C3245 | 4030018970 | S.CER C3225 JB 1C 226MT-N | T | 19.4/97.6 |
| C3246 | 4030019090 | S.CER C2012 JB 1C 225M-T | T | 21.4/101.3 |
| C3247 | 4030019090 | S.CER C2012 JB 1C 225M-T | T | 28.6/101.3 |
| C3248 | 4030006980 | S.CER C1608 CH 1H 070D-T | T | 131.8/73 |
| C3249 | 4030006880 | S.CER C1608 JB 1H 472K-T | T | 20.4/2.3 |
| C3250 | 4030007150 | S.CER C1608 CH 1H 151J-T | T | 165.5/65.3 |
| C3254 | 4030019460 | S.CER C1608 JB 0J 106M-T | T | 184.4/56.3 |
| C3255 | 4030007090 | S.CER C1608 CH 1H 470J-T | T | 141.4/14.3 |
| J1 | 6510024151 | S.CON 50FY-BMT-TB(LF)(SN) | T | 14.1/28.7 |
| J2 | 6510024151 | S.CON 50FY-BMT-TB(LF)(SN) | T | 25.3/28.7 |
| J4 | 6510024151 | S.CON 50FY-BMT-TB(LF)(SN) | T | 172.7/17.9 |
| J5 | 6510024151 | S.CON 50FY-BMT-TB(LF)(SN) | T | 132.9/9.4 |
| J6 | 6510024151 | S.CON 50FY-BMT-TB(LF)(SN) | T | 163.1/9.4 |
| J7 | 6510007020 | CON TMP-J01X-V6 | | |
| J8 | 6450000140 | CON HSJ0807-01-010 | | |
| J9 | 6450000140 | CON HSJ0807-01-010 | | |
| J11 | 6510019971 | S.CON 52808-1071 | T | 89/6.7 |
| J1531 | 6510025840 | S.CON AXN316C038P | T | 38.3/38.3 |
| J3201 | 6510026540 | CON UBB-4R-D14T-4D(LF)(SN) | | |
| J3203 | 6510014961 | S.CON B2B-ZR-SM4-TF(LF)(SN) | T | 161.9/82.8 |
| EP1 | 6910018930 | S.BEA MPZ2012S601A | T | 192.3/86.5 |
| EP2 | 6910012350 | S.BEA MMZ1608Y 102BT | T | 186.4/71.8 |
| EP3 | 6910012350 | S.BEA MMZ1608Y 102BT | T | 192.8/73 |
| EP5 | 6910012350 | S.BEA MMZ1608Y 102BT | T | 195.3/86.6 |
| EP6 | 6910012350 | S.BEA MMZ1608Y 102BT | T | 195.3/87.8 |
| EP7 | 6910012350 | S.BEA MMZ1608Y 102BT | T | 183.2/80.8 |
| EP8 | 6910012350 | S.BEA MMZ1608Y 102BT | T | 183.2/79.6 |
| EP9 | 6910012350 | S.BEA MMZ1608Y 102BT | T | 196/73 |

[MAIN UNIT]

| REF NO. | PARTS NO. | DESCRIPTION | M. | H/V LOCATION |
|---------|------------|----------------------|----|--------------|
| EP10 | 6910012350 | S.BEA MMZ1608Y 102BT | T | 196/74.2 |
| EP11 | 6910018930 | S.BEA MPZ2012S601A | T | 193.1/74.7 |
| EP12 | 6910012350 | S.BEA MMZ1608Y 102BT | T | 189/71.8 |
| EP13 | 6910012350 | S.BEA MMZ1608Y 102BT | T | 196/71.8 |
| EP31 | 6910012350 | S.BEA MMZ1608Y 102BT | T | 164.3/64.9 |
| EP36 | 6910012350 | S.BEA MMZ1608Y 102BT | T | 5.9/17.8 |
| EP37 | 6910012350 | S.BEA MMZ1608Y 102BT | T | 3.3/20.2 |
| EP38 | 6910012350 | S.BEA MMZ1608Y 102BT | T | 93.4/73.2 |
| EP81 | 6910012350 | S.BEA MMZ1608Y 102BT | T | 151.1/70.3 |
| EP504 | 6910002161 | CAS CASE-BM7H-LF | | |
| EP541 | 6910002161 | CAS CASE-BM7H-LF | | |
| EP551 | 6910002161 | CAS CASE-BM7H-LF | | |
| EP554 | 6910012350 | S.BEA MMZ1608Y 102BT | T | 93.5/69.3 |
| EP1055 | 6910012350 | S.BEA MMZ1608Y 102BT | T | 13.2/77.7 |
| EP1056 | 6910012350 | S.BEA MMZ1608Y 102BT | T | 4.1/85.6 |
| EP1081 | 6910012350 | S.BEA MMZ1608Y 102BT | T | 163.5/90 |
| EP1551 | 6910012350 | S.BEA MMZ1608Y 102BT | T | 43.5/34 |
| EP2091 | 6910012350 | S.BEA MMZ1608Y 102BT | T | 80.1/69.4 |
| EP2151 | 6910012350 | S.BEA MMZ1608Y 102BT | T | 45.2/77.9 |
| EP2501 | 6910012350 | S.BEA MMZ1608Y 102BT | T | 57/81.9 |
| EP2502 | 6910012350 | S.BEA MMZ1608Y 102BT | T | 38.2/80.3 |
| EP2541 | 6910012350 | S.BEA MMZ1608Y 102BT | T | 37.9/84.6 |
| EP2542 | 6910012350 | S.BEA MMZ1608Y 102BT | T | 36/85 |
| EP2544 | 6910012350 | S.BEA MMZ1608Y 102BT | T | 37.9/85.8 |
| EP2561 | 6910002161 | CAS CASE-BM7H-LF | | |
| EP2566 | 6910002161 | CAS CASE-BM7H-LF | | |
| EP2601 | 6910012350 | S.BEA MMZ1608Y 102BT | T | 99.8/90.4 |
| EP2602 | 6910019200 | S.BEA N2012ZPS121T50 | T | 171.1/22.1 |
| EP2603 | 6910012350 | S.BEA MMZ1608Y 102BT | T | 178/23.5 |
| EP2605 | 6910018930 | S.BEA MPZ2012S601A | T | 133.4/5.1 |
| EP2607 | 6910018930 | S.BEA MPZ2012S601A | T | 140.1/5.1 |
| EP2608 | 6910018930 | S.BEA MPZ2012S601A | T | 8.7/27.6 |
| EP2609 | 6910012350 | S.BEA MMZ1608Y 102BT | T | 9/26 |
| EP2610 | 6910018930 | S.BEA MPZ2012S601A | T | 8.9/29.6 |
| EP2611 | 6910019200 | S.BEA N2012ZPS121T50 | T | 126.9/6.1 |
| EP2612 | 6910018930 | S.BEA MPZ2012S601A | T | 8.8/22.6 |
| EP2613 | 6910018930 | S.BEA MPZ2012S601A | T | 165.1/86.3 |
| EP2614 | 6910018930 | S.BEA MPZ2012S601A | T | 159.6/86.7 |
| EP2615 | 6910018930 | S.BEA MPZ2012S601A | T | 8.8/24.4 |
| EP2618 | 6910012350 | S.BEA MMZ1608Y 102BT | T | 169.3/3.4 |
| EP2619 | 6910012350 | S.BEA MMZ1608Y 102BT | T | 181/15.7 |
| EP2620 | 6910012350 | S.BEA MMZ1608Y 102BT | T | 177.1/15.6 |
| EP2621 | 6910012350 | S.BEA MMZ1608Y 102BT | T | 184.4/5.8 |
| EP2622 | 6910018930 | S.BEA MPZ2012S601A | T | 171.8/12.8 |
| EP2627 | 6910012350 | S.BEA MMZ1608Y 102BT | T | 162.9/2.9 |
| EP2628 | 6910012350 | S.BEA MMZ1608Y 102BT | T | 160.3/3.8 |
| EP2629 | 6910012350 | S.BEA MMZ1608Y 102BT | T | 157.4/2.6 |
| EP2630 | 6910012350 | S.BEA MMZ1608Y 102BT | T | 157.4/5 |
| EP2633 | 6910012350 | S.BEA MMZ1608Y 102BT | T | 185.2/23.5 |
| EP2634 | 6910012350 | S.BEA MMZ1608Y 102BT | T | 184/23.5 |
| EP2635 | 6910012350 | S.BEA MMZ1608Y 102BT | T | 182.8/23.5 |
| EP2636 | 6910012350 | S.BEA MMZ1608Y 102BT | T | 181.6/23.5 |
| EP2637 | 6910012350 | S.BEA MMZ1608Y 102BT | T | 180.4/23.5 |
| EP2638 | 6910012350 | S.BEA MMZ1608Y 102BT | T | 186.4/23.5 |
| EP2641 | 6910012350 | S.BEA MMZ1608Y 102BT | T | 132.9/56 |
| EP2642 | 6910012350 | S.BEA MMZ1608Y 102BT | T | 137.7/44 |
| EP2643 | 6910012350 | S.BEA MMZ1608Y 102BT | T | 24.1/79.2 |
| EP2646 | 6910018930 | S.BEA MPZ2012S601A | T | 8.9/31.3 |
| EP2970 | 6910012350 | S.BEA MMZ1608Y 102BT | T | 93.5/67.6 |
| EP2971 | 6910012350 | S.BEA MMZ1608Y 102BT | T | 92.5/10.5 |
| EP2972 | 6910012350 | S.BEA MMZ1608Y 102BT | T | 96.1/11.5 |
| EP3201 | 6910012350 | S.BEA MMZ1608Y 102BT | T | 185.2/60.5 |
| EP3202 | 6910012350 | S.BEA MMZ1608Y 102BT | T | 183.7/44.9 |
| EP3203 | 6910012350 | S.BEA MMZ1608Y 102BT | T | 182.4/72 |
| EP3204 | 6910012350 | S.BEA MMZ1608Y 102BT | T | 179.5/75.7 |
| EP3205 | 6910012350 | S.BEA MMZ1608Y 102BT | T | 185.6/36.8 |
| EP3206 | 6910012350 | S.BEA MMZ1608Y 102BT | T | 184.2/48.2 |
| EP3207 | 6910012350 | S.BEA MMZ1608Y 102BT | T | 190.3/53.5 |
| EP3208 | 6910012350 | S.BEA MMZ1608Y 102BT | T | 172.2/75.2 |
| EP3241 | 6910012350 | S.BEA MMZ1608Y 102BT | T | 166.7/35.7 |
| EP3242 | 6910012350 | S.BEA MMZ1608Y 102BT | T | 165.5/33.1 |

M.=Mounted side (T: Mounted on the Top side, B: Mounted on the Bottom side)
S.=Surface mount

[RF UNIT]

| REF NO. | PARTS NO. | DESCRIPTION | M. | H/V LOCATION |
|---------|------------|-----------------------------|----|--------------|
| IC141 | 1130011760 | S.IC CD4094BPWR | T | 13.7/15.8 |
| IC142 | 1130011760 | S.IC CD4094BPWR | T | 14.1/29.6 |
| IC181 | 1110006870 | S.IC UPC2709TB-E3 | T | 57.8/60.4 |
| IC462 | 1110004050 | S.IC NJM3404AV-TE1-#FMZB | T | 4.8/37.8 |
| IC463 | 1110004050 | S.IC NJM3404AV-TE1-#FMZB | T | 14.6/47.8 |
| IC464 | 1110004050 | S.IC NJM3404AV-TE1-#FMZB | T | 6/14.4 |
| Q12 | 1590000680 | S.TRA DTC114EUA T106 | T | 55.4/16.5 |
| Q141 | 1590001960 | S.TRA XP4311(TX) | T | 19.7/54.9 |
| Q142 | 1590001960 | S.TRA XP4311(TX) | T | 19.9/48.7 |
| Q143 | 1590001960 | S.TRA XP4311(TX) | T | 19.8/42.3 |
| Q144 | 1590001960 | S.TRA XP4311(TX) | T | 18.3/36 |
| Q145 | 1590001960 | S.TRA XP4311(TX) | T | 20/30.4 |
| Q146 | 1590001960 | S.TRA XP4311(TX) | T | 19.6/24.7 |
| Q147 | 1590001960 | S.TRA XP4311(TX) | T | 19/19.5 |
| Q148 | 1590001960 | S.TRA XP4311(TX) | T | 19.1/13.4 |
| Q155 | 1590001960 | S.TRA XP4311(TX) | T | 60.6/28.6 |
| Q156 | 1590001960 | S.TRA XP4311(TX) | T | 19.8/60 |
| Q157 | 1590001960 | S.TRA XP4311(TX) | T | 21.3/64.2 |
| Q161 | 1530003091 | S.TRA 2SC4213-B(TE85R,F) | T | 57.2/43.6 |
| Q380 | 1530003851 | S.TRA 2SC5551F-TD-E 0 | T | 41.6/70.9 |
| Q441 | 1530003851 | S.TRA 2SC5551F-TD-E 0 | T | 7.5/64.2 |
| Q442 | 1590001960 | S.TRA XP4311(TX) | T | 6.7/55.2 |
| Q443 | 1590001960 | S.TRA XP4311(TX) | T | 9.3/55 |
| Q461 | 1510000510 | S.TRA 2SA1576A T106R | T | 4.6/26 |
| Q462 | 1590001050 | S.TRA DTC114TUA T106 | T | 10.6/47.5 |
| Q463 | 1590000680 | S.TRA DTC114EUA T106 | T | 10.3/40.9 |
| Q464 | 1590000720 | S.TRA DTA144EUA T106 | T | 8.8/45.9 |
| Q480 | 1530003091 | S.TRA 2SC4213-B(TE85R,F) | T | 2.3/23.2 |
| Q501 | 1540000550 | S.TRA 2SD1664 T100Q | T | 55.3/84.8 |
| Q503 | 1590001960 | S.TRA XP4311(TX) | T | 63.4/44.7 |
| D1 | 1790000970 | S.DIO MA729(TX) | T | 68.6/8.4 |
| D2 | 1790000970 | S.DIO MA729(TX) | T | 70.5/8.4 |
| D3 | 1790001250 | S.DIO MA2S111-(TX) | T | 50.4/16.9 |
| D141 | 1790001250 | S.DIO MA2S111-(TX) | T | 13.7/21.2 |
| D142 | 1790001250 | S.DIO MA2S111-(TX) | T | 12.5/21.2 |
| D143 | 1790001250 | S.DIO MA2S111-(TX) | T | 14.3/10.7 |
| D144 | 1790001250 | S.DIO MA2S111-(TX) | T | 13.1/10.7 |
| D145 | 1790001250 | S.DIO MA2S111-(TX) | T | 15.2/24.4 |
| D146 | 1790001250 | S.DIO MA2S111-(TX) | T | 14/24.4 |
| D164 | 1790001621 | S.DIO 1SV308(TPL3,F) | T | 52.2/31.7 |
| D165 | 1790001621 | S.DIO 1SV308(TPL3,F) | T | 57.4/35.6 |
| D167 | 1790001621 | S.DIO 1SV308(TPL3,F) | T | 55/48.8 |
| D168 | 1790001621 | S.DIO 1SV308(TPL3,F) | T | 55.3/43.9 |
| D181 | 1790001250 | S.DIO MA2S111-(TX) | T | 56.6/56.6 |
| D182 | 1790001250 | S.DIO MA2S111-(TX) | T | 56.6/55.4 |
| D201 | 1790001621 | S.DIO 1SV308(TPL3,F) | T | 53.3/44.4 |
| D221 | 1790001621 | S.DIO 1SV308(TPL3,F) | T | 22.8/13.1 |
| D222 | 1790001621 | S.DIO 1SV308(TPL3,F) | T | 37.8/15 |
| D241 | 1790001621 | S.DIO 1SV308(TPL3,F) | T | 22.8/22.1 |
| D242 | 1790001621 | S.DIO 1SV308(TPL3,F) | T | 39.1/21.8 |
| D261 | 1790001621 | S.DIO 1SV308(TPL3,F) | T | 34.2/27.9 |
| D262 | 1790001621 | S.DIO 1SV308(TPL3,F) | T | 22.9/27.1 |
| D281 | 1790001621 | S.DIO 1SV308(TPL3,F) | T | 41/34 |
| D282 | 1790001621 | S.DIO 1SV308(TPL3,F) | T | 23/33.7 |
| D301 | 1790001621 | S.DIO 1SV308(TPL3,F) | T | 41/40.1 |
| D302 | 1790001621 | S.DIO 1SV308(TPL3,F) | T | 23/39.8 |
| D321 | 1790001621 | S.DIO 1SV308(TPL3,F) | T | 40.9/46.2 |
| D322 | 1790001621 | S.DIO 1SV308(TPL3,F) | T | 23/45.9 |
| D341 | 1790001621 | S.DIO 1SV308(TPL3,F) | T | 40.9/52.3 |
| D342 | 1790001621 | S.DIO 1SV308(TPL3,F) | T | 23/52 |
| D361 | 1790001621 | S.DIO 1SV308(TPL3,F) | T | 44.3/57.1 |
| D362 | 1790001621 | S.DIO 1SV308(TPL3,F) | T | 23/58.1 |
| D381 | 1790001621 | S.DIO 1SV308(TPL3,F) | T | 27.6/70.4 |
| D382 | 1790001621 | S.DIO 1SV308(TPL3,F) | T | 49.3/65.3 |
| D401 | 1790001621 | S.DIO 1SV308(TPL3,F) | T | 49.3/64.1 |
| D402 | 1790001621 | S.DIO 1SV308(TPL3,F) | T | 26.3/61 |
| D441 | 1790001621 | S.DIO 1SV308(TPL3,F) | T | 14.1/63.7 |
| D442 | 1790001621 | S.DIO 1SV308(TPL3,F) | T | 17.3/72.6 |
| D443 | 1790001621 | S.DIO 1SV308(TPL3,F) | T | 14.1/64.9 |
| D444 | 1790001621 | S.DIO 1SV308(TPL3,F) | T | 14.8/72.6 |
| D461 | 1790001250 | S.DIO MA2S111-(TX) | T | 8.6/43.2 |
| D462 | 1790001250 | S.DIO MA2S111-(TX) | T | 8.5/30.4 |
| D463 | 1790001250 | S.DIO MA2S111-(TX) | T | 10.4/44.2 |
| D464 | 1790001250 | S.DIO MA2S111-(TX) | T | 7.5/51 |
| D465 | 1790001240 | S.DIO MA2S728-(TX) | T | 9.7/37.2 |
| D471 | 1790001240 | S.DIO MA2S728-(TX) | T | 13.4/40.6 |
| D491 | 1790001240 | S.DIO MA2S728-(TX) | T | 16.4/42.1 |
| D494 | 1790001250 | S.DIO MA2S111-(TX) | T | 7.3/22.8 |
| D495 | 1790001250 | S.DIO MA2S111-(TX) | T | 7.3/24 |
| D501 | 1790001250 | S.DIO MA2S111-(TX) | T | 66.8/43.4 |
| D502 | 1790001330 | S.ZEN MA8036-(LTX) | T | 10.2/25.7 |
| D503 | 1790001250 | S.DIO MA2S111-(TX) | T | 8.3/26.4 |
| D504 | 1790001250 | S.DIO MA2S111-(TX) | T | 8.3/25.2 |
| D505 | 1790001621 | S.DIO 1SV308(TPL3,F) | T | 55.8/41.5 |
| L1 | 6140004721 | COI LR-532A | | |
| L2 | 6200002041 | S.COI NLV25T-101J | T | 66.4/12.9 |
| L3 | 6200002041 | S.COI NLV25T-101J | T | 72.7/12.9 |
| L4 | 6200002041 | S.COI NLV25T-101J | T | 50.7/18.8 |
| L161 | 6200011410 | S.COI C2520C-82NG-A | T | 48.1/23.2 |
| L163 | 6200002041 | S.COI NLV25T-101J | T | 51.6/26.7 |
| L167 | 6200002041 | S.COI NLV25T-101J | T | 58.2/46.8 |
| L168 | 6200002041 | S.COI NLV25T-101J | T | 57.4/49.6 |
| L169 | 6200010660 | S.COI C2520C-R15G-A (0.15U) | T | 44.8/18.3 |
| L170 | 6200002041 | S.COI NLV25T-101J | T | 55.7/27.8 |
| L181 | 6200005011 | S.COI NLV25T-100J | T | 60.4/59.3 |
| L183 | 6200005011 | S.COI NLV25T-100J | T | 44.8/78.6 |
| L201 | 6200005491 | S.COI NLV32T-331J | T | 52.6/48.6 |
| L202 | 6200002961 | S.COI NLV32T-4R7J | T | 49.1/47.9 |

[RF UNIT]

| REF NO. | PARTS NO. | DESCRIPTION | M. | H/V LOCATION |
|---------|------------|-----------------------------|----|--------------|
| L203 | 6200003321 | S.COI NLV32T-3R3J | T | 45.7/49.8 |
| L204 | 6200003261 | S.COI NLV32T-101J | T | 51.1/42.2 |
| L205 | 6200003261 | S.COI NLV32T-101J | T | 45.9/42.2 |
| L221 | 6200001851 | S.COI NLV32T-5R6J | T | 29.5/13.6 |
| L222 | 6200003111 | S.COI NLV32T-6R8J | T | 25.9/14.6 |
| L241 | 6200002041 | S.COI NLV25T-101J | T | 39.4/19.9 |
| L242 | 6200003091 | S.COI NLV32T-2R7J | T | 35/20.8 |
| L243 | 6200003101 | S.COI NLV32T-3R9J | T | 31.6/21.4 |
| L244 | 6200002961 | S.COI NLV32T-4R7J | T | 28.2/19.5 |
| L245 | 6200001851 | S.COI NLV32T-5R6J | T | 24.5/19.9 |
| L261 | 6200002041 | S.COI NLV25T-101J | T | 34.2/26 |
| L262 | 6200002991 | S.COI NLV32T-2R2J | T | 31.1/26.3 |
| L263 | 6200002991 | S.COI NLV32T-2R2J | T | 26.2/27.1 |
| L281 | 6200002041 | S.COI NLV25T-101J | T | 40.3/31.8 |
| L282 | 6200003051 | S.COI NLV32T-R82J | T | 37.2/32.9 |
| L283 | 6200003061 | S.COI NLV32T-1R2J | T | 32.4/32.3 |
| L284 | 6200003081 | S.COI NLV32T-1R8J | T | 29/30.4 |
| L285 | 6200003071 | S.COI NLV32T-1R5J | T | 25.6/32.3 |
| L291 | 6200011410 | S.COI C2520C-82NG-A | T | 21.1/36.7 |
| L301 | 6200002041 | S.COI NLV25T-101J | T | 40.3/37.9 |
| L302 | 6200003061 | S.COI NLV32T-1R2J | T | 37.2/39 |
| L303 | 6200003331 | S.COI NLV32T-1R0J | T | 32.4/38.4 |
| L304 | 6200003051 | S.COI NLV32T-R82J | T | 29/36.5 |
| L305 | 6200003061 | S.COI NLV32T-1R2J | T | 25.6/38.4 |
| L321 | 6200002041 | S.COI NLV25T-101J | T | 40.3/44 |
| L322 | 6200003031 | S.COI NLV32T-R47J | T | 37.2/45.1 |
| L323 | 6200002981 | S.COI NLV32T-R56J | T | 32.4/44.5 |
| L324 | 6200003041 | S.COI NLV32T-R68J | T | 29/42.6 |
| L325 | 6200003051 | S.COI NLV32T-R82J | T | 25.6/44.5 |
| L341 | 6200002041 | S.COI NLV25T-101J | T | 40.3/50.1 |
| L342 | 6200003251 | S.COI NLV32T-R39J | T | 37.2/51.2 |
| L343 | 6200003251 | S.COI NLV32T-R39J | T | 32.4/50.6 |
| L344 | 6200003031 | S.COI NLV32T-R47J | T | 29/48.7 |
| L345 | 6200002981 | S.COI NLV32T-R56J | T | 25.6/50.6 |
| L361 | 6200002041 | S.COI NLV25T-101J | T | 40.6/56.4 |
| L362 | 6200010740 | S.COI C2520C-R27G-A | T | 37.3/57.3 |
| L363 | 6200010740 | S.COI C2520C-R27G-A | T | 32.4/56.7 |
| L364 | 6200010870 | S.COI C2520C-R33G-A (0.33U) | T | 29/54.8 |
| L365 | 6200011450 | S.COI C2520C-R39G-A | T | 25.6/56.7 |
| L381 | 6200003001 | S.COI NLV32T-R22J | T | 45.6/68.3 |
| L382 | 6200003251 | S.COI NLV32T-R39J | T | 49.9/67.5 |
| L383 | 6200005011 | S.COI NLV25T-100J | T | 30.7/72.9 |
| L384 | 6200002041 | S.COI NLV25T-101J | T | 40.1/66.5 |
| L385 | 6140004601 | S.COI LR-518A | T | 35.5/71 |
| L386 | 6200002041 | S.COI NLV25T-101J | T | 27.8/68.5 |
| L401 | 6200003011 | S.COI NLV32T-R27J | T | 43.8/62 |
| L402 | 6200003421 | S.COI NLV32T-R15J | T | 47.2/61 |
| L403 | 6180002961 | S.COI NLV32T-R18J | T | 40.4/61.6 |
| L404 | 6200003421 | S.COI NLV32T-R15J | T | 37/63.6 |
| L405 | 6200001471 | S.COI NLV32T-R12J | T | 32/65.1 |
| L406 | 6200001471 | S.COI NLV32T-R12J | T | 27.1/63.8 |
| L421 | 6200005491 | S.COI NLV32T-331J | T | 24.3/8.5 |
| L441 | 6200002041 | S.COI NLV25T-101J | T | 18.3/63.4 |
| L442 | 6200002041 | S.COI NLV25T-101J | T | 11.5/64.4 |
| L443 | 6200002041 | S.COI NLV25T-101J | T | 14.1/66.8 |
| L444 | 6140004591 | S.COI LR-517A | T | 6.6/71.7 |
| L445 | 6200002041 | S.COI NLV25T-101J | T | 11.2/70.4 |
| L446 | 6200002041 | S.COI NLV25T-101J | T | 11.2/74 |
| L447 | 6200002041 | S.COI NLV25T-101J | T | 14.5/61.1 |
| L448 | 6200002041 | S.COI NLV25T-101J | T | 20.1/74.8 |
| L449 | 6200010650 | S.COI C2520C-R12G-A (0.12U) | T | 8.3/76.8 |
| L450 | 6200010660 | S.COI C2520C-R15G-A (0.15U) | T | 19.1/69.9 |
| L501 | 6200005011 | S.COI NLV25T-100J | T | 63.2/40.3 |
| L502 | 6200005011 | S.COI NLV25T-100J | T | 65.6/75.4 |
| L505 | 6200005011 | S.COI NLV25T-100J | T | 65.5/71 |
| L506 | 6200005011 | S.COI NLV25T-100J | T | 61.2/68.3 |
| L507 | 6200002041 | S.COI NLV25T-101J | T | 78/91.8 |
| L508 | 6200005011 | S.COI NLV25T-100J | T | 73.1/91.7 |
| L509 | 6200005011 | S.COI NLV25T-100J | T | 69.5/92.2 |
| L510 | 6200002041 | S.COI NLV25T-101J | T | 66.2/89.7 |
| L511 | 6200002041 | S.COI NLV25T-101J | T | 65.8/81.9 |
| L512 | 6200002041 | S.COI NLV25T-101J | T | 56.3/38.3 |
| R1 | 7540000250 | ABS SA05C 401N | | |
| R2 | 7030003590 | S.RES ERJ3GEYJ 183 V (18K) | T | 79.6/14.9 |
| R3 | 7030008190 | S.RES ERJ12YJ330U (33) | T | 69.5/5 |
| R4 | 7030003560 | S.RES ERJ3GEYJ 103 V (10K) | T | 66.1/8.6 |
| R5 | 7030003560 | S.RES ERJ3GEYJ 103 V (10K) | T | 72.9/8.6 |
| R6 | 7030003860 | S.RES ERJ3GE JPW V | T | 66.1/11 |
| R7 | 7030003860 | S.RES ERJ3GE JPW V | T | 72.9/11 |
| R8 | 7030003640 | S.RES ERJ3GEYJ 473 V (47K) | T | 68.6/11.8 |
| R9 | 7030003640 | S.RES ERJ3GEYJ 473 V (47K) | T | 70.5/11.8 |
| R10 | 7030003580 | S.RES ERJ3GEYJ 153 V (15K) | T | 79.6/17.5 |
| R161 | 7030003560 | S.RES ERJ3GEYJ 103 V (10K) | T | 57.3/40.2 |
| R163 | 7030003400 | S.RES ERJ3GEYJ 471 V (470) | T | 50.6/29.1 |
| R164 | 7030003290 | S.RES ERJ3GEYJ 560 V (56) | T | 56/35.7 |
| R165 | 7030003400 | S.RES ERJ3GEYJ 471 V (470) | T | 57.4/33 |
| R166 | 7030003440 | S.RES ERJ3GEYJ 102 V (1K) | T | 55.7/47 |
| R167 | 7030003400 | S.RES ERJ3GEYJ 471 V (470) | T | 56.1/33 |
| R168 | 7030003400 | S.RES ERJ3GEYJ 471 V (470) | T | 54.8/33 |
| R169 | 7030003680 | S.RES ERJ3GEYJ 104 V (100K) | T | 58.9/26.5 |
| R181 | 7030003370 | S.RES ERJ3GEYJ 271 V (270) | T | 54.1/66 |
| R182 | 7030003230 | S.RES ERJ3GEYJ 180 V (18) | T | 56.7/66 |
| R183 | 7030003370 | S.RES ERJ3GEYJ 271 V (270) | T | 56.7/63.5 |
| R184 | 7030003220 | S.RES ERJ3GEYJ 150 V (15) | T | 61/56.1 |
| R185 | | | | |

[RF UNIT]

| REF NO. | PARTS NO. | DESCRIPTION | M. | H/V LOCATION |
|---------|------------|---------------------------------------|----|--------------|
| R224 | 7030003320 | S.RES ERJ3GEYJ 101 V (100) | T | 36.9/13.6 |
| R225 | 7030003320 | S.RES ERJ3GEYJ 101 V (100) | T | 36.9/12.4 |
| R241 | 7030003320 | S.RES ERJ3GEYJ 101 V (100) | T | 38/18 |
| R242 | 7030003320 | S.RES ERJ3GEYJ 101 V (100) | T | 23.1/17.3 |
| R261 | 7030003320 | S.RES ERJ3GEYJ 101 V (100) | T | 37.3/24.1 |
| R262 | 7030003320 | S.RES ERJ3GEYJ 101 V (100) | T | 37.3/25.3 |
| R281 | 7030003320 | S.RES ERJ3GEYJ 101 V (100) | T | 39.5/29.5 |
| R282 | 7030003320 | S.RES ERJ3GEYJ 101 V (100) | T | 23.4/30.1 |
| R301 | 7030003320 | S.RES ERJ3GEYJ 101 V (100) | T | 39.6/35.6 |
| R302 | 7030003320 | S.RES ERJ3GEYJ 101 V (100) | T | 23.4/37.6 |
| R321 | 7030003320 | S.RES ERJ3GEYJ 101 V (100) | T | 39.5/41.7 |
| R322 | 7030003320 | S.RES ERJ3GEYJ 101 V (100) | T | 23.4/43.7 |
| R341 | 7030003320 | S.RES ERJ3GEYJ 101 V (100) | T | 39.6/47.8 |
| R342 | 7030003320 | S.RES ERJ3GEYJ 101 V (100) | T | 23.4/49.5 |
| R361 | 7030003320 | S.RES ERJ3GEYJ 101 V (100) | T | 41.8/53.9 |
| R362 | 7030003320 | S.RES ERJ3GEYJ 101 V (100) | T | 23.3/55.7 |
| R381 | 7030003320 | S.RES ERJ3GEYJ 101 V (100) | T | 31.5/75.3 |
| R382 | 7030003320 | S.RES ERJ3GEYJ 101 V (100) | T | 49.6/73.8 |
| R383 | 7030003280 | S.RES ERJ3GEYJ 470 V (47) | T | 36/67.4 |
| R384 | 7030003440 | S.RES ERJ3GEYJ 102 V (1K) | T | 44.8/71.9 |
| R385 | 7030003490 | S.RES ERJ3GEYJ 272 V (2.7K) | T | 47.2/71.9 |
| R401 | 7030003320 | S.RES ERJ3GEYJ 101 V (100) | T | 40.1/59.4 |
| R402 | 7030003320 | S.RES ERJ3GEYJ 101 V (100) | T | 48.1/58.9 |
| R421 | 7030003640 | S.RES ERJ3GEYJ 473 V (47K) | T | 39.8/13.6 |
| R422 | 7030003640 | S.RES ERJ3GEYJ 473 V (47K) | T | 35.1/17.1 |
| R423 | 7030003640 | S.RES ERJ3GEYJ 473 V (47K) | T | 40/24.1 |
| R424 | 7030003640 | S.RES ERJ3GEYJ 473 V (47K) | T | 37/30.3 |
| R425 | 7030003640 | S.RES ERJ3GEYJ 473 V (47K) | T | 37/36.4 |
| R426 | 7030003640 | S.RES ERJ3GEYJ 473 V (47K) | T | 37.2/42.4 |
| R427 | 7030003640 | S.RES ERJ3GEYJ 473 V (47K) | T | 37/48.6 |
| R428 | 7030003640 | S.RES ERJ3GEYJ 473 V (47K) | T | 37.7/53.8 |
| R429 | 7030003640 | S.RES ERJ3GEYJ 473 V (47K) | T | 34.2/75.3 |
| R430 | 7030003640 | S.RES ERJ3GEYJ 473 V (47K) | T | 48.1/57.7 |
| R431 | 7030003400 | S.RES ERJ3GEYJ 471 V (470) | T | 22.9/11.1 |
| R441 | 7030003400 | S.RES ERJ3GEYJ 471 V (470) | T | 16/64.2 |
| R442 | 7030003370 | S.RES ERJ3GEYJ 271 V (270) | T | 14.8/56.4 |
| R443 | 7030003440 | S.RES ERJ3GEYJ 102 V (1K) | T | 17.4/73.9 |
| R444 | 7030003560 | S.RES ERJ3GEYJ 103 V (10K) | T | 12.7/57.2 |
| R445 | 7030003280 | S.RES ERJ3GEYJ 470 V (47) | T | 16.3/66.8 |
| R446 | 7030003320 | S.RES ERJ3GEYJ 101 V (100) | T | 7.2/67.4 |
| R447 | 7030003440 | S.RES ERJ3GEYJ 102 V (1K) | T | 6.9/60.5 |
| R448 | 7030003320 | S.RES ERJ3GEYJ 101 V (100) | T | 4.5/66.6 |
| R449 | 7030003480 | S.RES ERJ3GEYJ 222 V (2.2K) | T | 9.3/60.5 |
| R450 | 7030003370 | S.RES ERJ3GEYJ 271 V (270) | T | 11.4/60.5 |
| R460 | 7030003740 | S.RES ERJ3GEYJ 334 V (330K) | T | 7.9/39.1 |
| R462 | 7030003720 | S.RES ERJ3GEYJ 224 V (220K) | T | 2.6/42.9 |
| R463 | 7030003680 | S.RES ERJ3GEYJ 104 V (100K) | T | 7.8/37.9 |
| R464 | 7030003840 | S.RES ERJ3GEYJ 225 V (2.2M) | T | 5.2/42.2 |
| R465 | 7030003380 | S.RES ERJ3GEYJ 331 V (330) | T | 7.8/42 |
| R466 | 7030003680 | S.RES ERJ3GEYJ 104 V (100K) | T | 3.9/31.7 |
| R467 | 7030003840 | S.RES ERJ3GEYJ 225 V (2.2M) | T | 4.4/33.3 |
| R468 | 7030003720 | S.RES ERJ3GEYJ 224 V (220K) | T | 1.8/33.2 |
| R469 | 7030003590 | S.RES ERJ3GEYJ 183 V (18K) | T | 1.8/35.8 |
| R470 | 7030003400 | S.RES ERJ3GEYJ 471 V (470) | T | 7.4/32.5 |
| R472 | 7030003600 | S.RES ERJ3GEYJ 223 V (22K) | T | 6.5/31.3 |
| R475 | 7030003860 | S.RES ERJ3GE JPW V | T | 16.3/43.4 |
| R476 | 7030003580 | S.RES ERJ3GEYJ 153 V (15K) | T | 13.7/43.1 |
| R477 | 7030003400 | S.RES ERJ3GEYJ 471 V (470) | T | 11.1/42.9 |
| R478 | 7030003440 | S.RES ERJ3GEYJ 102 V (1K) | T | 5.9/28.1 |
| R479 | 7030003680 | S.RES ERJ3GEYJ 104 V (100K) | T | 6.5/25.8 |
| R480 | 7030003860 | S.RES ERJ3GE JPW V | T | 6.3/29.6 |
| R482 | 7030003560 | S.RES ERJ3GEYJ 103 V (10K) | T | 1.8/41 |
| R483 | 7030003320 | S.RES ERJ3GEYJ 101 V (100) | T | 7.3/33.7 |
| R484 | 7030003820 | S.RES ERJ3GEYJ 155 V (1.5M) | T | 11.5/45.4 |
| R485 | 7030003840 | S.RES ERJ3GEYJ 225 V (2.2M) | T | 14.8/52.4 |
| R486 | 7030003770 | S.RES ERJ3GEYJ 564 V (560K) | T | 16.7/53.1 |
| R487 | 7030003760 | S.RES ERJ3GEYJ 474 V (470K) | T | 17.6/50 |
| R488 | 7030003500 | S.RES ERJ3GEYJ 332 V (3.3K) | T | 12/52.4 |
| R489 | 7030003520 | S.RES ERJ3GEYJ 472 V (4.7K) | T | 4.7/57.7 |
| R490 | 7030003640 | S.RES ERJ3GEYJ 473 V (47K) | T | 16.1/40.1 |
| R492 | 7030003740 | S.RES ERJ3GEYJ 334 V (330K) | T | 6.1/52.4 |
| R494 | 7030003440 | S.RES ERJ3GEYJ 102 V (1K) | T | 2.4/21.2 |
| R495 | 7030003560 | S.RES ERJ3GEYJ 103 V (10K) | T | 5.5/22.9 |
| R496 | 7030003600 | S.RES ERJ3GEYJ 223 V (22K) | T | 1.8/38.4 |
| R501 | 7030003320 | S.RES ERJ3GEYJ 101 V (100) | T | 3.5/18.7 |
| R502 | 7030003680 | S.RES ERJ3GEYJ 104 V (100K) | T | 6.5/19.6 |
| R503 | 7030003700 | S.RES ERJ3GEYJ 154 V (150K) | T | 9.4/17.4 |
| R504 | 7030003700 | S.RES ERJ3GEYJ 154 V (150K) | T | 8.7/19.3 |
| R505 | 7030003680 | S.RES ERJ3GEYJ 104 V (100K) | T | 3.3/11.7 |
| R506 | 7030003680 | S.RES ERJ3GEYJ 104 V (100K) | T | 3.3/14.3 |
| R507 | 7030003400 | S.RES ERJ3GEYJ 471 V (470) | T | 2.1/11.7 |
| R508 | 7030003680 | S.RES ERJ3GEYJ 104 V (100K) | T | 7.1/9.8 |
| R513 | 7030003560 | S.RES ERJ3GEYJ 103 V (10K) | T | 62.1/84.1 |
| R514 | 7030003860 | S.RES ERJ3GE JPW V | T | 71.9/33 |
| R515 | 7030003860 | S.RES ERJ3GE JPW V | T | 73.5/44.8 |
| R516 | 7030003860 | S.RES ERJ3GE JPW V | T | 73.5/49.5 |
| R517 | 7030003360 | S.RES ERJ3GEYJ 221 V (220) | T | 59.6/84.1 |
| R519 | 7030003320 | S.RES ERJ3GEYJ 101 V (100) | T | 10.7/50 |
| R520 | 7030003320 | S.RES ERJ3GEYJ 101 V (100) | T | 44.1/85.8 |
| R521 | 7030003320 | S.RES ERJ3GEYJ 101 V (100) | T | 41/85.8 |
| R522 | 7030003320 | S.RES ERJ3GEYJ 101 V (100) | T | 36.8/85.8 |
| R523 | 7030003320 | S.RES ERJ3GEYJ 101 V (100) | T | 36.2/85.8 |
| R525 | 7030003560 | S.RES ERJ3GEYJ 103 V (10K) | T | 8.5/28.1 |
| R527 | 7030003440 | S.RES ERJ3GEYJ 102 V (1K) | T | 59.7/42.1 |
| R528 | 7030003560 | S.RES ERJ3GEYJ 103 V (10K) | T | 59.7/43.3 |
| R529 | 7030009830 | S.RES ERJ12YJ391U (390) | T | 61.1/37.1 |
| R530 | 7030003390 | S.RES ERJ3GEYJ 391 V (390) | T | 60.5/49.6 |
| R531 | 7030003360 | S.RES ERJ3GEYJ 221 V (220) | T | 5.3/19.6 |
| R532 | 7030003640 | S.RES ERJ3GEYJ 473 V (47K) | T | 14.8/40.4 |
| R533 | 7030003710 | S.RES ERJ3GEYJ 184 V (180K) | T | 8.8/51 |
| C1 | 4030011050 | S.CER GRM31M3C2H3R0CY21L (GRM42-6 Cj) | T | 56.7/12.5 |

[RF UNIT]

| REF NO. | PARTS NO. | DESCRIPTION | M. | H/V LOCATION |
|---------|------------|------------------------------------|----|--------------|
| C2 | 4030007150 | S.CER C1608 CH 1H 151J-T | T | 60.8/12.1 |
| C3 | 4030006870 | S.CER C1608 JB 1H 222K-T | T | 72.9/7.4 |
| C4 | 4030011340 | S.CER C1608 CH 1H 471J-T | T | 66.1/9.8 |
| C5 | 4030011340 | S.CER C1608 CH 1H 471J-T | T | 72.9/9.8 |
| C6 | 4030006870 | S.CER C1608 JB 1H 222K-T | T | 66.1/7.4 |
| C7 | 4030006880 | S.CER C1608 JB 1H 472K-T | T | 50.4/15.6 |
| C8 | 4030006880 | S.CER C1608 JB 1H 472K-T | T | 53.1/17.9 |
| C9 | 4030011790 | S.CER GRM55RF52A684ZD01L (GRM44-1) | T | 79.6/3.3 |
| C12 | 4030011600 | S.CER C1608 JB 1E 104K-T | T | 58.1/17.4 |
| C13 | 4030011600 | S.CER C1608 JB 1E 104K-T | T | 58.1/15.5 |
| C14 | 4030011600 | S.CER C1608 JB 1E 104K-T | T | 9.9/19.3 |
| C142 | 4030011600 | S.CER C1608 JB 1E 104K-T | T | 10.6/31.8 |
| C143 | 4510009250 | S.ELE EEEFK1C471P | T | 17.9/5.8 |
| C161 | 4030007070 | S.CER C1608 CH 1H 330J-T | T | 51.6/24.8 |
| C162 | 4030007110 | S.CER C1608 CH 1H 680J-T | T | 48.6/25.5 |
| C163 | 4030007120 | S.CER C1608 CH 1H 820J-T | T | 47.7/21 |
| C164 | 4030006880 | S.CER C1608 JB 1H 472K-T | T | 59.7/44.5 |
| C165 | 4030006880 | S.CER C1608 JB 1H 472K-T | T | 61.1/50.8 |
| C166 | 4030006880 | S.CER C1608 JB 1H 472K-T | T | 60/40.2 |
| C168 | 4030011600 | S.CER C1608 JB 1E 104K-T | T | 49.4/27.5 |
| C169 | 4030011600 | S.CER C1608 JB 1E 104K-T | T | 61/31.4 |
| C170 | 4030011600 | S.CER C1608 JB 1E 104K-T | T | 58.8/33 |
| C171 | 4030011600 | S.CER C1608 JB 1E 104K-T | T | 50.6/31.7 |
| C173 | 4030011600 | S.CER C1608 JB 1E 104K-T | T | 54.8/35.7 |
| C174 | 4030009990 | S.CER C1608 CH 1H 200J-T | T | 47/18.9 |
| C175 | 4030007090 | S.CER C1608 CH 1H 470J-T | T | 47.8/17 |
| C176 | 4030011600 | S.CER C1608 JB 1E 104K-T | T | 57.6/26.5 |
| C181 | 4030011600 | S.CER C1608 JB 1E 104K-T | T | 60.7/61.6 |
| C182 | 4030011600 | S.CER C1608 JB 1E 104K-T | T | 57.8/58.3 |
| C183 | 4030011600 | S.CER C1608 JB 1E 104K-T | T | 55.3/58.4 |
| C184 | 4030007130 | S.CER C1608 CH 1H 101J-T | T | 58.6/54.6 |
| C186 | 4030007130 | S.CER C1608 CH 1H 101J-T | T | 55.6/51.5 |
| C187 | 4030007130 | S.CER C1608 CH 1H 101J-T | T | 56.7/64.7 |
| C195 | 4030011600 | S.CER C1608 JB 1E 104K-T | T | 58.5/51.5 |
| C201 | 4030011600 | S.CER C1608 JB 1E 104K-T | T | 54.6/45.7 |
| C202 | 4030011600 | S.CER C1608 JB 1E 104K-T | T | 50.4/44.5 |
| C203 | 4030008920 | S.CER C1608 JB 1H 473K-T | T | 49.3/45.7 |
| C204 | 4030009980 | S.CER C1608 JB 1H 152K-T | T | 47.8/44.5 |
| C205 | 4030006880 | S.CER C1608 JB 1H 472K-T | T | 45.3/46.4 |
| C206 | 4030008470 | S.CER C1608 JB 1H 272K-T | T | 45.2/44.5 |
| C207 | 4030011600 | S.CER C1608 JB 1E 104K-T | T | 48.5/41.9 |
| C208 | 4030006880 | S.CER C1608 JB 1H 472K-T | T | 46.5/46.4 |
| C221 | 4030008680 | S.CER C2012 JF 1C 1052-T | T | 34.6/12.6 |
| C222 | 4030008470 | S.CER C1608 JB 1H 272K-T | T | 27.3/11.9 |
| C223 | 4030007170 | S.CER C1608 CH 1H 221J-T | T | 25.4/12.4 |
| C224 | 4030006870 | S.CER C1608 JB 1H 222K-T | T | 25.4/11.2 |
| C241 | 4030011600 | S.CER C1608 JB 1E 104K-T | T | 38/16.8 |
| C242 | 4030009970 | S.CER C1608 JB 1H 182K-T | T | 32.3/18 |
| C243 | 4030017870 | S.CER C1608 CH 1H 681J-T | T | 32.3/19.2 |
| C244 | 4030017870 | S.CER C1608 CH 1H 681J-T | T | 30.4/18.5 |
| C245 | 4030008470 | S.CER C1608 JB 1H 272K-T | T | 28.2/22.1 |
| C246 | 4030008850 | S.CER C1608 JB 1H 123K-T | T | 26/17.3 |
| C247 | 4030018610 | S.CER C1608 CH 1H 182J-T | T | 25.4/22.1 |
| C248 | 4030011600 | S.CER C1608 JB 1E 104K-T | T | 24.8/17.7 |
| C249 | 4030011330 | S.CER C1608 CH 1H 391J-T | T | 37.1/20.3 |
| C261 | 4030011600 | S.CER C1608 JB 1E 104K-T | T | 34.6/24.1 |
| C262 | 4030010020 | S.CER C1608 JB 1H 122K-T | T | 27.4/24.4 |
| C263 | 4030007100 | S.CER C1608 CH 1H 560J-T | T | 25.5/24.9 |
| C264 | 4030017870 | S.CER C1608 CH 1H 681J-T | T | 25.5/23.7 |
| C265 | 4030017800 | S.CER C1608 CH 1H 561J-T | T | 28.9/24.4 |
| C266 | 4030007150 | S.CER C1608 CH 1H 151J-T | T | 28.9/27 |
| C281 | 4030011600 | S.CER C1608 JB 1E 104K-T | T | 42.2/30.2 |
| C282 | 4030011340 | S.CER C1608 CH 1H 471J-T | T | 35.8/30.3 |
| C283 | 4030007110 | S.CER C1608 CH 1H 680J-T | T | 34.6/33 |
| C284 | 4030011280 | S.CER C1608 CH 1H 271J-T | T | 34.6/30.3 |
| C285 | 4030010020 | S.CER C1608 JB 1H 122K-T | T | 30.2/33.1 |
| C286 | 4030008770 | S.CER C1608 JB 1H 562K-T | T | 28.3/32.6 |
| C287 | 4030017870 | S.CER C1608 CH 1H 681J-T | T | 28.3/33.8 |
| C288 | 4030011600 | S.CER C1608 JB 1E 104K-T | T | 25.6/29.5 |
| C301 | 4030011600 | S.CER C1608 JB 1E 104K-T | T | 42.2/36.3 |
| C302 | 4030010760 | S.CER C1608 CH 1H 331J-T | T | 35.8/36.4 |
| C303 | 4030007100 | S.CER C1608 CH 1H 560J-T | T | 34.6/39.1 |
| C304 | 4030007160 | S.CER C1608 CH 1H 181J-T | T | 34.6/36.4 |
| C305 | 4030018580 | S.CER C1608 CH 1H 821J-T | T | 30.2/39.2 |
| C306 | 4030008470 | S.CER C1608 JB 1H 272K-T | T | 28.3/38.7 |
| C307 | 4030010760 | S.CER C1608 CH 1H 331J-T | T | 28.3/39.9 |
| C308 | 4030011600 | S.CER C1608 JB 1E 104K-T | T | 25.6/35.6 |
| C321 | 4030006880 | S.CER C1608 JB 1H 472K-T | T | 42.2/42.4 |

[RF UNIT]

| REF NO. | PARTS NO. | DESCRIPTION | M. | H/V LOCATION |
|---------|------------|---------------------------|----|--------------|
| C381 | 4030007110 | S.CER C1608 CH 1H 680J-T | T | 46.6/65.7 |
| C382 | 4030007160 | S.CER C1608 CH 1H 181J-T | T | 43.9/65.7 |
| C383 | 4030011600 | S.CER C1608 JB 1E 104K-T | T | 31.5/76.5 |
| C384 | 4030011600 | S.CER C1608 JB 1E 104K-T | T | 50.5/71.9 |
| C385 | 4030011600 | S.CER C1608 JB 1E 104K-T | T | 46/71.9 |
| C386 | 4030011600 | S.CER C1608 JB 1E 104K-T | T | 48.9/71.9 |
| C387 | 4030011600 | S.CER C1608 JB 1E 104K-T | T | 30.4/70.4 |
| C388 | 4030011600 | S.CER C1608 JB 1E 104K-T | T | 31.1/68 |
| C401 | 4030007110 | S.CER C1608 CH 1H 680J-T | T | 47.3/63.6 |
| C402 | 4030007080 | S.CER C1608 CH 1H 390J-T | T | 39.7/63.8 |
| C403 | 4030007150 | S.CER C1608 CH 1H 151J-T | T | 50/60.8 |
| C404 | 4030018580 | S.CER C1608 CH 1H 821J-T | T | 42.8/59.4 |
| C405 | 4030007120 | S.CER C1608 CH 1H 820J-T | T | 34.8/61 |
| C406 | 4030007030 | S.CER C1608 CH 1H 150J-T | T | 34.8/64.4 |
| C407 | 4030007150 | S.CER C1608 CH 1H 151J-T | T | 32.9/61 |
| C408 | 4030007080 | S.CER C1608 CH 1H 390J-T | T | 32.1/62.9 |
| C409 | 4030007140 | S.CER C1608 CH 1H 121J-T | T | 31.3/61 |
| C410 | 4030008560 | S.CER C1608 CH 1H 300J-T | T | 29.3/64.4 |
| C411 | 4030007120 | S.CER C1608 CH 1H 820J-T | T | 29.3/61.6 |
| C412 | 4030007090 | S.CER C1608 CH 1H 470J-T | T | 41.6/64.1 |
| C413 | 4030007030 | S.CER C1608 CH 1H 150J-T | T | 51.2/60.8 |
| C414 | 4030009520 | S.CER C1608 CH 1H 020B-T | T | 45.9/63.6 |
| C441 | 4030011600 | S.CER C1608 JB 1E 104K-T | T | 24.7/67.3 |
| C442 | 4030011600 | S.CER C1608 JB 1E 104K-T | T | 14.8/57.6 |
| C443 | 4030018910 | S.CER C1608 JB 0J 475K-T | T | 14.8/58.8 |
| C444 | 4030011600 | S.CER C1608 JB 1E 104K-T | T | 14.8/73.9 |
| C445 | 4030011600 | S.CER C1608 JB 1E 104K-T | T | 12.6/60.5 |
| C446 | 4030011600 | S.CER C1608 JB 1E 104K-T | T | 10/67.4 |
| C447 | 4030006880 | S.CER C1608 JB 1H 472K-T | T | 16.6/70.5 |
| C448 | 4030011600 | S.CER C1608 JB 1E 104K-T | T | 8.1/60.5 |
| C450 | 4030011600 | S.CER C1608 JB 1E 104K-T | T | 5/76.7 |
| C451 | 4030011600 | S.CER C1608 JB 1E 104K-T | T | 14.1/68.7 |
| C452 | 4030011600 | S.CER C1608 JB 1E 104K-T | T | 15.4/70.5 |
| C453 | 4030011600 | S.CER C1608 JB 1E 104K-T | T | 8.5/58.5 |
| C454 | 4510009250 | S.ELE EEEFK1C471P | T | 14.9/84.8 |
| C455 | 4030007110 | S.CER C1608 CH 1H 680J-T | T | 11.4/77 |
| C456 | 4030007090 | S.CER C1608 CH 1H 470J-T | T | 20/72.6 |
| C457 | 4030007090 | S.CER C1608 CH 1H 470J-T | T | 16.4/61.2 |
| C460 | 4030006900 | S.CER C1608 JB 1H 103K-T | T | 10.9/38.1 |
| C461 | 4030011600 | S.CER C1608 JB 1E 104K-T | T | 7.7/34.9 |
| C462 | 4030006880 | S.CER C1608 JB 1H 472K-T | T | 7.8/40.8 |
| C464 | 4030017480 | S.CER C1608 JB 1A 474K-T | T | 3.2/30 |
| C468 | 4030011600 | S.CER C1608 JB 1E 104K-T | T | 3.3/16.9 |
| C470 | 4030018970 | S.CER C3225 JB 1C 226MT-N | T | 2.9/45.8 |
| C471 | 4030018970 | S.CER C3225 JB 1C 226MT-N | T | 5.9/45 |
| C480 | 4030017490 | S.CER C1608 JB 1A 105K-T | T | 2.1/26.4 |
| C481 | 4030011600 | S.CER C1608 JB 1E 104K-T | T | 4.3/22.9 |
| C482 | 4030017490 | S.CER C1608 JB 1A 105K-T | T | 2.1/27.6 |
| C483 | 4030017490 | S.CER C1608 JB 1A 105K-T | T | 2.1/25.2 |
| C504 | 4030006880 | S.CER C1608 JB 1H 472K-T | T | 30.2/85.1 |
| C506 | 4030006880 | S.CER C1608 JB 1H 472K-T | T | 76.1/93.6 |
| C507 | 4030006880 | S.CER C1608 JB 1H 472K-T | T | 63.5/84.1 |
| C508 | 4030006880 | S.CER C1608 JB 1H 472K-T | T | 66.1/77.3 |
| C509 | 4030006880 | S.CER C1608 JB 1H 472K-T | T | 63.5/78.8 |
| C510 | 4030006880 | S.CER C1608 JB 1H 472K-T | T | 61.7/72.9 |
| C511 | 4030006880 | S.CER C1608 JB 1H 472K-T | T | 62.5/71 |
| C512 | 4030006880 | S.CER C1608 JB 1H 472K-T | T | 60.5/66 |
| C513 | 4030006880 | S.CER C1608 JB 1H 472K-T | T | 72.7/94.9 |
| C514 | 4030006880 | S.CER C1608 JB 1H 472K-T | T | 68.8/94.6 |
| C515 | 4030006880 | S.CER C1608 JB 1H 472K-T | T | 66.7/86.7 |
| C516 | 4030006880 | S.CER C1608 JB 1H 472K-T | T | 60.8/84.1 |
| C517 | 4030006880 | S.CER C1608 JB 1H 472K-T | T | 63.5/81.4 |
| C518 | 4030006880 | S.CER C1608 JB 1H 472K-T | T | 68.1/43.4 |
| C520 | 4030006880 | S.CER C1608 JB 1H 472K-T | T | 67.1/51.9 |
| C521 | 4030006880 | S.CER C1608 JB 1H 472K-T | T | 72.2/53.5 |
| C523 | 4030011600 | S.CER C1608 JB 1E 104K-T | T | 11.9/50 |
| C524 | 4030006860 | S.CER C1608 JB 1H 102K-T | T | 30.6/94.9 |
| C525 | 4030006860 | S.CER C1608 JB 1H 102K-T | T | 27.6/95 |
| C526 | 4030006860 | S.CER C1608 JB 1H 102K-T | T | 25.1/95 |
| C527 | 4030006860 | S.CER C1608 JB 1H 102K-T | T | 20.1/95 |
| C528 | 4030006880 | S.CER C1608 JB 1H 472K-T | T | 66.5/94.9 |
| C529 | 4030006880 | S.CER C1608 JB 1H 472K-T | T | 62.7/88.7 |
| C530 | 4030006880 | S.CER C1608 JB 1H 472K-T | T | 61.5/88.7 |
| C531 | 4030006880 | S.CER C1608 JB 1H 472K-T | T | 34.1/94.9 |
| C532 | 4030006880 | S.CER C1608 JB 1H 472K-T | T | 32.9/94.9 |
| C533 | 4030007090 | S.CER C1608 CH 1H 470J-T | T | 37.4/85.8 |
| C534 | 4030007090 | S.CER C1608 CH 1H 470J-T | T | 39.8/85.8 |
| C535 | 4030007090 | S.CER C1608 CH 1H 470J-T | T | 42.2/85.8 |
| C536 | 4030007090 | S.CER C1608 CH 1H 470J-T | T | 45.3/85.8 |
| C537 | 4030006880 | S.CER C1608 JB 1H 472K-T | T | 33.8/85.8 |
| C538 | 4030006880 | S.CER C1608 JB 1H 472K-T | T | 50.7/88.7 |
| C539 | 4030006880 | S.CER C1608 JB 1H 472K-T | T | 51.9/88.7 |
| C542 | 4030006880 | S.CER C1608 JB 1H 472K-T | T | 53.1/88.7 |
| C543 | 4030006880 | S.CER C1608 JB 1H 472K-T | T | 46.5/85.8 |
| C544 | 4030006880 | S.CER C1608 JB 1H 472K-T | T | 47.7/85.8 |
| C545 | 4030006880 | S.CER C1608 JB 1H 472K-T | T | 48.9/85.8 |
| C546 | 4030011600 | S.CER C1608 JB 1E 104K-T | T | 50.1/85.8 |
| C547 | 4030006880 | S.CER C1608 JB 1H 472K-T | T | 57.9/88.7 |
| C548 | 4030006880 | S.CER C1608 JB 1H 472K-T | T | 56.7/88.7 |
| C549 | 4030006880 | S.CER C1608 JB 1H 472K-T | T | 35/85.8 |
| C551 | 4030006880 | S.CER C1608 JB 1H 472K-T | T | 59.1/88.7 |
| C552 | 4030006880 | S.CER C1608 JB 1H 472K-T | T | 72.7/93.7 |
| C553 | 4030006880 | S.CER C1608 JB 1H 472K-T | T | 60.3/88.7 |
| C554 | 4030011600 | S.CER C1608 JB 1E 104K-T | T | 65.5/43.4 |
| C555 | 4030011600 | S.CER C1608 JB 1E 104K-T | T | 53.8/29.7 |
| C556 | 4030006880 | S.CER C1608 JB 1H 472K-T | T | 38.4/89 |
| C557 | 4030006880 | S.CER C1608 JB 1H 472K-T | T | 38.4/90.2 |
| C558 | 4030006880 | S.CER C1608 JB 1H 472K-T | T | 36.2/94.2 |
| C559 | 4030006880 | S.CER C1608 JB 1H 472K-T | T | 36.2/95.4 |
| C560 | 4030006880 | S.CER C1608 JB 1H 472K-T | T | 32.6/85.8 |
| C561 | 4030006880 | S.CER C1608 JB 1H 472K-T | T | 49.5/88.7 |
| RL1 | 6330001721 | REL ATN207-K1 | | |

[RF UNIT]

| REF NO. | PARTS NO. | DESCRIPTION | M. | H/V LOCATION |
|---------|------------|---------------------------|----|--------------|
| RL501 | 6330001721 | REL ATN207-K1 | | |
| J5 | 6510024151 | S.CON 50FY-BMT-TB(LF)(SN) | T | 22.2/90.9 |
| J6 | 6510024151 | S.CON 50FY-BMT-TB(LF)(SN) | T | 51.7/93.1 |
| J7 | 6510007020 | CON TMP-J01X-V6 | | |
| J8 | 6510007020 | CON TMP-J01X-V6 | | |
| J10 | 6510007020 | CON TMP-J01X-V6 | | |
| J501 | 6450001641 | CON TCS5044-0141177 | | |
| J502 | 6450001130 | CON JPJ2042-01-110 | | |
| J503 | 6510023900 | CON LGR4619-7000 0 | | |
| EP170 | 6910012350 | S.BEA MMZ1608Y 102BT | T | 60.9/25.7 |
| EP501 | 6910012350 | S.BEA MMZ1608Y 102BT | T | 70.3/48 |
| EP502 | 6910018930 | S.BEA MPZ2012S601A | T | 65.8/84 |
| EP503 | 6910018930 | S.BEA MPZ2012S601A | T | 65.8/79.6 |
| EP504 | 6910018930 | S.BEA MPZ2012S601A | T | 65.8/73.2 |
| EP505 | 6910018930 | S.BEA MPZ2012S601A | T | 73.8/29.7 |
| EP507 | 6910018930 | S.BEA MPZ2012S601A | T | 28.1/87.4 |
| EP509 | 6910018930 | S.BEA MPZ2012S601A | T | 23.9/85.8 |
| EP510 | 6910018930 | S.BEA MPZ2012S601A | T | 21.6/85.8 |
| EP511 | 6910012350 | S.BEA MMZ1608Y 102BT | T | 67.1/53.2 |
| EP512 | 6910012350 | S.BEA MMZ1608Y 102BT | T | 72.2/54.8 |

[PA UNIT]

| REF NO. | PARTS NO. | DESCRIPTION | M. | H/V LOCATION |
|---------|------------|------------------------------------|----|--------------|
| IC1 | 1180001251 | S.IC TA7808F(TE16L,Q) | T | 17.3/40.6 |
| IC2 | 1110003800 | S.IC NJM2904V-TE1-#FMZB | T | 6.5/23 |
| Q1 | 1560001241 | S.FET RD01MUS1-T113 | T | 26.7/30.7 |
| Q2 | 1560001530 | FET RD15HVF1-101 | | |
| Q3 | 1560001530 | FET RD15HVF1-101 | | |
| Q4 | 1560001640 | FET RD100HHF1C-103 | | |
| Q5 | 1560001640 | FET RD100HHF1C-103 | | |
| Q7 | 1590000680 | S.TRA DTC114EUA T106 | T | 20/58.5 |
| Q131 | 1540000550 | S.TRA 2SD1664 T100Q | T | 144.6/84.4 |
| D4 | 1790000700 | DIO DSA3A1 | | |
| D5 | 1790000700 | DIO DSA3A1 | | |
| D6 | 1790001250 | S.DIO MA2S111-(TX) | T | 11.6/56.1 |
| D8 | 1790001250 | S.DIO MA2S111-(TX) | T | 84.8/12.9 |
| D9 | 1790001250 | S.DIO MA2S111-(TX) | T | 84.8/54.1 |
| D10 | 1790001250 | S.DIO MA2S111-(TX) | T | 38.3/9.6 |
| D11 | 1790001250 | S.DIO MA2S111-(TX) | T | 39.1/39 |
| D17 | 1790001250 | S.DIO MA2S111-(TX) | T | 89.2/56.7 |
| D18 | 1790001250 | S.DIO MA2S111-(TX) | T | 89.2/10.3 |
| L1 | 6140002350 | COI LR-274 (RIB4X7X5 3A6) | | |
| L2 | 6140004690 | COI LR-530 <KN> | | |
| L3 | 6140004700 | COI LR-529 | | |
| L4 | 6140003590 | COI LR-400 (TR10X5X5 6H3) | | |
| L5 | 6140004570 | COI LR-507 | | |
| L7 | 6140002220 | COI LR-270 (TR6X3X2 3A9) | | |
| L24 | 6200003241 | S.COI NLV32T-221J | T | 21.4/16.8 |
| L25 | 6200003241 | S.COI NLV32T-221J | T | 18.4/13.8 |
| L29 | 6140003440 | COI LR-386 (FK-100E-5003H) [EUR] | | |
| | 6140003440 | COI LR-386 (FK-100E-5003H) [FRA] | | |
| | 6140003440 | COI LR-386 (FK-100E-5003H) [ITR] | | |
| | 6140003440 | COI LR-386 (FK-100E-5003H) [ESP] | | |
| | 6140003440 | COI LR-386 (FK-100E-5003H)[EUR-01] | | |
| L38 | 6140003440 | COI LR-386 (FK-100E-5003H) [EUR] | | |
| | 6140003440 | COI LR-386 (FK-100E-5003H) [FRA] | | |
| | 6140003440 | COI LR-386 (FK-100E-5003H) [ITR] | | |
| | 6140003440 | COI LR-386 (FK-100E-5003H) [ESP] | | |
| | 6140003440 | COI LR-386 (FK-100E-5003H)[EUR-01] | | |
| L131 | 6200002041 | S.COI NLV25T-101J | T | 36/80.2 |
| R1 | 7030003310 | S.RES ERJ3GEYJ 820 V (82) | T | 23.5/31.1 |
| R2 | 7030003350 | S.RES ERJ3GEYJ 392 V (3.9K) | T | 22.3/31.1 |
| R3 | 7030003410 | S.RES ERJ3GEYJ 561 V (560) | T | 26.8/26 |
| R4 | 7030006210 | S.RES ERJ12YJ4R7U (4.7) | T | 31/34.1 |
| R5 | 7030008180 | S.RES ERJ12YJ331U (330) | T | 29.5/24.1 |
| R6 | 7030003450 | S.RES ERJ3GEYJ 122 V (1.2K) | T | 23.5/33.8 |
| R7 | 7030000220 | S.RES MCR10EZJH 47 (470) | T | 40.3/41 |
| R8 | 7030000220 | S.RES MCR10EZJH 47 (470) | T | 40.2/8.2 |
| R9 | 7030010480 | S.RES ERJ1TYJ 181U (180) | T | 49.4/34.7 |
| R10 | 7030010480 | S.RES ERJ1TYJ 181U (180) | T | 49.4/6.6 |
| R11 | 7030003230 | S.RES ERJ3GEYJ 180 V (18) | T | 15.5/25.8 |
| R12 | 7030003370 | S.RES ERJ3GEYJ 271 V (270) | T | 16.2/27.8 |
| R13 | 7030003370 | S.RES ERJ3GEYJ 271 V (270) | T | 16.8/25.8 |
| R15 | 7030010410 | S.RES ERJ1TYJ 220U (22) | T | 107.4/38.5 |
| R16 | 7030010410 | S.RES ERJ1TYJ 220U (22) | T | 107.4/28.5 |
| R17 | 7030003510 | S.RES ERJ3GEYJ 392 V (3.9K) | T | 90/54.8 |
| R18 | 7030003510 | S.RES ERJ3GEYJ 392 V (3.9K) | T | 90/12.2 |
| R20 | 7030000010 | S.RES MCR10EZJH JPW (000) | T | 21.5/26 |
| R22 | 7030010950 | S.RES ERJ1TYJ 100U (10) | T | 74.2/18 |
| R25 | 7030005971 | S.RES ERA3YKD 683V (68K) | T | 143.1/80.4 |
| R26 | 7030005981 | S.RES ERA3YED 333V (33K) | T | 138.6/80.4 |
| R27 | 7030005981 | S.RES ERA3YED 333V (33K) | T | 136.9/80.4 |
| R29 | 7030007661 | S.RES ERA3YED 331V (330) | T | 140.5/81.1 |
| R31 | 7030003450 | S.RES ERJ3GEYJ 122 V (1.2K) | T | 92.4/7.7 |
| R32 | 7030010570 | S.RES ERJ1TYJ 4R7U (4.7) | T | 165.7/61.7 |
| R33 | 703001 | | | |

[PA UNIT]

| REF NO. | PARTS NO. | DESCRIPTION | M. | H/V LOCATION |
|---------|------------|--|----|--------------|
| R37 | 7030010410 | S.RES ERJ1TYJ 220U (22) | T | 87.7/50.7 |
| R38 | 7030010410 | S.RES ERJ1TYJ 220U (22) | T | 87.7/16.3 |
| R39 | 7030011240 | S.RES LRF3W-LF-01-R020F | T | 137.8/75.5 |
| R40 | 7030011240 | S.RES LRF3W-LF-01-R020F | T | 137.8/68.5 |
| R41 | 7030003320 | S.RES ERJ3GEYJ 101 V (100) | T | 18.4/64.4 |
| R42 | 7030003320 | S.RES ERJ3GEYJ 101 V (100) | T | 18.4/68.1 |
| R43 | 7030003320 | S.RES ERJ3GEYJ 101 V (100) | T | 17.4/71.7 |
| R44 | 7030003400 | S.RES ERJ3GEYJ 471 V (470) | T | 9.6/25.2 |
| R45 | 7030003400 | S.RES ERJ3GEYJ 471 V (470) | T | 8.2/17.8 |
| R46 | 7030003480 | S.RES ERJ3GEYJ 222 V (2.2K) | T | 41.3/43 |
| R47 | 7030003480 | S.RES ERJ3GEYJ 222 V (2.2K) | T | 41.2/6.1 |
| R49 | 7030011130 | S.RES ERJ1TYJ 1R0U (1) | T | 99.8/13.4 |
| R50 | 7510001551 | S.THE NTCG16 4LH 333JT | T | 105.1/6.2 |
| R51 | 7030003440 | S.RES ERJ3GEYJ 102 V (1K) | T | 33.6/32.7 |
| R52 | 7030004040 | S.RES ERJ3GEYJ 4R7 V (4.7) | T | 24.1/59.3 |
| R55 | 7030005971 | S.RES ERA3YKD 683V (68K) | T | 136.9/85.7 |
| R60 | 7030011130 | S.RES ERJ1TYJ 1R0U (1) | T | 99.8/53.5 |
| R71 | 7030003650 | S.RES ERJ3GEYJ 563 V (56K) | T | 6/28.2 |
| R72 | 7030003680 | S.RES ERJ3GEYJ 104 V (100K) | T | 4.8/28.2 |
| R73 | 7030003650 | S.RES ERJ3GEYJ 563 V (56K) | T | 8.4/26.7 |
| R74 | 7030003680 | S.RES ERJ3GEYJ 104 V (100K) | T | 7.2/28.2 |
| R75 | 7030003680 | S.RES ERJ3GEYJ 104 V (100K) | T | 3.4/19.3 |
| R76 | 7030003650 | S.RES ERJ3GEYJ 563 V (56K) | T | 7/17.8 |
| R77 | 7030003680 | S.RES ERJ3GEYJ 104 V (100K) | T | 5.8/17.7 |
| R78 | 7030003650 | S.RES ERJ3GEYJ 563 V (56K) | T | 4.6/19.3 |
| R79 | 7030003320 | S.RES ERJ3GEYJ 101 V (100) | T | 10.4/20.8 |
| R81 | 7030008240 | S.RES ERJ12Y0R00U | T | 40.2/32.4 |
| R82 | 7030008240 | S.RES ERJ12Y0R00U | T | 40.2/16.8 |
| R106 | 7030010250 | S.RES ERJ1TYJ 0R00U | T | 92.5/39.8 |
| R107 | 7030010250 | S.RES ERJ1TYJ 0R00U | T | 92.5/27.2 |
| R120 | 7030010250 | S.RES ERJ1TYJ 0R00U | T | 149.9/59.8 |
| R131 | 7030003400 | S.RES ERJ3GEYJ 471 V (470) | T | 141.3/85.2 |
| R132 | 7030003860 | S.RES ERJ3GE JPW V | T | 148.3/84.3 |
| C1 | 4030017320 | S.CER GRM21BB11H104KA01L (GRM40-034) | T | 23.3/28 |
| C2 | 4030008960 | S.CER C2012 JB 1C 104K-T | T | 25.2/26.4 |
| C3 | 4030004720 | S.CER C2012 JB 1H 102K-T | T | 25.9/37.6 |
| C4 | 4030005110 | S.CER C2012 JB 1E 473K-T | T | 28.5/19.5 |
| C5 | 4030012490 | S.CER GRM31M1X2A472JZ01L (GRM42-6 SL) | T | 43.9/37.1 |
| C6 | 4030012490 | S.CER GRM31M1X2A472JZ01L (GRM42-6 SL) | T | 43.9/9 |
| C8 | 4030005110 | S.CER C2012 JB 1E 473K-T | T | 30.1/28.7 |
| C12 | 4030007130 | S.CER C1608 CH 1H 101J-T | T | 14.3/25.8 |
| C17 | 4030008920 | S.CER C1608 JB 1H 473K-T | T | 22.3/33.8 |
| C19 | 4030008920 | S.CER C1608 JB 1H 473K-T | T | 23.5/36.4 |
| C21 | 4030005110 | S.CER C2012 JB 1E 473K-T | T | 72.6/12.3 |
| C22 | 4030006860 | S.CER C1608 JB 1H 102K-T | T | 74.2/12.7 |
| C27 | 4510009250 | S.ELE EEEFK1C471P | T | 180.9/73.1 |
| C28 | 4030006880 | S.CER C1608 JB 1H 472K-T | T | 150.9/72 |
| C29 | 4030011600 | S.CER C1608 JB 1E 104K-T | T | 161.5/72 |
| C30 | 4030007170 | S.CER C1608 CH 1H 221J-T | T | 165.3/72 |
| C31 | 4030005110 | S.CER C2012 JB 1E 473K-T | T | 125.3/80.5 |
| C32 | 4510009250 | S.ELE EEEFK1C471P | T | 130.6/81.6 |
| C33 | 4030006880 | S.CER C1608 JB 1H 472K-T | T | 119.6/70.3 |
| C34 | 4030007170 | S.CER C1608 CH 1H 221J-T | T | 117.3/70.3 |
| C35 | 4030018980 | S.CER C1608 JB 1H 104K-T | T | 115/70.3 |
| C42 | 4510009250 | S.ELE EEEFK1C471P | T | 145.8/73.1 |
| C43 | 4030006880 | S.CER C1608 JB 1H 472K-T | T | 94.8/6.2 |
| C44 | 4030006880 | S.CER C1608 JB 1H 472K-T | T | 90/7.7 |
| C46 | 4030006880 | S.CER C1608 JB 1H 472K-T | T | 23.1/76.3 |
| C47 | 4030006880 | S.CER C1608 JB 1H 472K-T | T | 135.7/83 |
| C52 | 4030008920 | S.CER C1608 JB 1H 473K-T | T | 96/6.2 |
| C53 | 4030008920 | S.CER C1608 JB 1H 473K-T | T | 18.6/56 |
| C54 | 4030008920 | S.CER C1608 JB 1H 473K-T | T | 91.2/7.7 |
| C55 | 4030006880 | S.CER C1608 JB 1H 472K-T | T | 18.4/17.6 |
| C56 | 4030006860 | S.CER C1608 JB 1H 102K-T | T | 15.5/14.2 |
| C57 | 4030006880 | S.CER C1608 JB 1H 472K-T | T | 19.2/8.6 |
| C59 | 4510009250 | S.ELE EEEFK1C471P [EUR] | T | 79.6/72.6 |
| | 4510009250 | S.ELE EEEFK1C471P [FRA] | T | |
| | 4510009250 | S.ELE EEEFK1C471P [ITR] | T | |
| | 4510009250 | S.ELE EEEFK1C471P [ESP] | T | |
| | 4510009250 | S.ELE EEEFK1C471P [EUR-01] | T | |
| C60 | 4030004740 | S.CER C2012 JB 1H 472K-T [EUR] | T | 74.3/75.1 |
| | 4030004740 | S.CER C2012 JB 1H 472K-T [FRA] | T | |
| | 4030004740 | S.CER C2012 JB 1H 472K-T [ITR] | T | |
| | 4030004740 | S.CER C2012 JB 1H 472K-T [ESP] | T | |
| | 4030004740 | S.CER C2012 JB 1H 472K-T [EUR-01] | T | |
| C61 | 4030004740 | S.CER C2012 JB 1H 472K-T [EUR] | T | 74.3/68.8 |
| | 4030004740 | S.CER C2012 JB 1H 472K-T [FRA] | T | |
| | 4030004740 | S.CER C2012 JB 1H 472K-T [ITR] | T | |
| | 4030004740 | S.CER C2012 JB 1H 472K-T [ESP] | T | |
| | 4030004740 | S.CER C2012 JB 1H 472K-T [EUR-01] | T | |
| C62 | 4030018980 | S.CER C1608 JB 1H 104K-T [EUR] | T | 34.9/69.4 |
| | 4030018980 | S.CER C1608 JB 1H 104K-T [FRA] | T | |
| | 4030018980 | S.CER C1608 JB 1H 104K-T [ITR] | T | |
| | 4030018980 | S.CER C1608 JB 1H 104K-T [ESP] | T | |
| | 4030018980 | S.CER C1608 JB 1H 104K-T [EUR-01] | T | |
| C63 | 4560000170 | CER D67X5T 1E 684M51 (MARUWA) [EUR] | T | |
| | 4560000170 | CER D67X5T 1E 684M51 (MARUWA) [FRA] | T | |
| | 4560000170 | CER D67X5T 1E 684M51 (MARUWA) [ITR] | T | |
| | 4560000170 | CER D67X5T 1E 684M51 (MARUWA) [ESP] | T | |
| | 4560000170 | CER D67X5T 1E 684M51 (MARUWA) [EUR-01] | T | |
| C66 | 4030018750 | S.CER C3225 CH 2J 682K-T | T | 95.6/43.8 |
| C67 | 4030018750 | S.CER C3225 CH 2J 682K-T | T | 95.6/23.2 |
| C71 | 4030011550 | S.CER GRM31M2C2H680JV01L (GRM42-6 CH) | T | 59.5/33.5 |

[PA UNIT]

| REF NO. | PARTS NO. | DESCRIPTION | M. | H/V LOCATION |
|---------|------------|---------------------------------------|----|--------------|
| C72 | 4030014460 | S.CER GRM31M2C2H820JV01L (GRM42-6 CH) | T | 57.4/33.5 |
| C73 | 4030018750 | S.CER C3225 CH 2J 682K-T | T | 103/17.9 |
| C74 | 4030018750 | S.CER C3225 CH 2J 682K-T | T | 103/49 |
| C77 | 4030006880 | S.CER C1608 JB 1H 472K-T | T | 21.9/76.3 |
| C78 | 4030006860 | S.CER C1608 JB 1H 102K-T | T | 16.2/75.8 |
| C79 | 4030006880 | S.CER C1608 JB 1H 472K-T | T | 9.8/85.7 |
| C80 | 4030006880 | S.CER C1608 JB 1H 472K-T | T | 8.6/83.1 |
| C81 | 4030018530 | S.CER C3216 CH 1H 103J-T | T | 41/37.8 |
| C82 | 4030018530 | S.CER C3216 CH 1H 103J-T | T | 41/11.4 |
| C83 | 4030008920 | S.CER C1608 JB 1H 473K-T | T | 37.5/7.8 |
| C84 | 4030008920 | S.CER C1608 JB 1H 473K-T | T | 38.3/37.1 |
| C85 | 4030008920 | S.CER C1608 JB 1H 473K-T | T | 83.3/11.9 |
| C86 | 4030008920 | S.CER C1608 JB 1H 473K-T | T | 83.2/55.1 |
| C87 | 4030011600 | S.CER C1608 JB 1E 104K-T | T | 22/58.6 |
| C88 | 4030011600 | S.CER C1608 JB 1E 104K-T | T | 17.2/64.4 |
| C89 | 4030011600 | S.CER C1608 JB 1E 104K-T | T | 17.2/68.1 |
| C90 | 4030011600 | S.CER C1608 JB 1E 104K-T | T | 16.2/71.8 |
| C91 | 4030011600 | S.CER C1608 JB 1E 104K-T | T | 19.8/75.8 |
| C92 | 4030011600 | S.CER C1608 JB 1E 104K-T | T | 17.4/75.8 |
| C93 | 4030011600 | S.CER C1608 JB 1E 104K-T | T | 29.1/79.2 |
| C94 | 4030011600 | S.CER C1608 JB 1E 104K-T | T | 16.9/20.8 |
| C97 | 4030006880 | S.CER C1608 JB 1H 472K-T | T | 18.6/75.8 |
| C100 | 4030011600 | S.CER C1608 JB 1E 104K-T | T | 82.1/11.9 |
| C101 | 4030011600 | S.CER C1608 JB 1E 104K-T | T | 81.9/55.1 |
| C102 | 4030018960 | S.CER C3216 JB 1C 106MT-N | T | 8.2/42.9 |
| C103 | 4030018960 | S.CER C3216 JB 1C 106MT-N | T | 8.2/38 |
| C104 | 4030011600 | S.CER C1608 JB 1E 104K-T | T | 10/42.6 |
| C105 | 4030011600 | S.CER C1608 JB 1E 104K-T | T | 10/38.3 |
| C106 | 4030011730 | S.CER GRM31M2C2H101JV01L (GRM42-6 CH) | T | 85/42.6 |
| C107 | 4030011730 | S.CER GRM31M2C2H101JV01L (GRM42-6 CH) | T | 85/24.4 |
| C111 | 4030011550 | S.CER GRM31M2C2H680JV01L (GRM42-6 CH) | T | |
| C112 | 4030011550 | S.CER GRM31M2C2H680JV01L (GRM42-6 CH) | T | |
| C113 | 4030011740 | S.CER GRM32N2C2H201JV01L (GRM42-2 CH) | T | 144.1/33.5 |
| C114 | 4030011740 | S.CER GRM32N2C2H201JV01L (GRM42-2 CH) | T | 140.9/33.5 |
| C115 | 4030011740 | S.CER GRM32N2C2H201JV01L (GRM42-2 CH) | T | 137.7/33.5 |
| C116 | 4030011740 | S.CER GRM32N2C2H201JV01L (GRM42-2 CH) | T | 134.5/33.5 |
| C121 | 4030011600 | S.CER C1608 JB 1E 104K-T | T | 9.2/20.8 |
| C122 | 4510009250 | S.ELE EEEFK1C471P | T | 155.9/73.1 |
| C123 | 4510009250 | S.ELE EEEFK1C471P | T | 171.7/73.1 |
| C124 | 4510009250 | S.ELE EEEFK1C471P | T | 120/81.6 |
| C125 | 4030011600 | S.CER C1608 JB 1E 104K-T | T | 24.3/76.3 |
| C130 | 4030011600 | S.CER C1608 JB 1E 104K-T | T | 22/56 |
| C131 | 4030006880 | S.CER C1608 JB 1H 472K-T | T | 36.3/78.3 |
| C132 | 4030011600 | S.CER C1608 JB 1E 104K-T | T | 146.2/80.8 |
| C133 | 4030018960 | S.CER C3216 JB 1C 106MT-N | T | 147.9/80.1 |
| C134 | 4030006880 | S.CER C1608 JB 1H 472K-T | T | 140.1/85.2 |
| RL1 | 6330001600 | REL ALD 112 | | |
| J4 | 6510024151 | S.CON 50FY-BMT-TB(LF)(SN) | T | 25.2/83.9 |
| J8 | 6510007020 | CON TMP-J01X-V6 | | |
| J9 | 6510007020 | CON TMP-J01X-V6 | | |
| J131 | 6510014961 | S.CON B2B-ZR-SM4-TF(LF)(SN) | T | 151.1/82.7 |
| J132 | 6510014961 | S.CON B2B-ZR-SM4-TF(LF)(SN) | T | 157.2/82.7 |
| F1 | 5220000400 | HOL FHA010-01F | | |
| F2 | 5210000940 | FUS 1205 | | |
| W40 | 8900018210 | CAB OPC-1942 [USA] | | |
| | 8900018220 | CAB OPC-1943 [EUR] | | |
| | 8900018220 | CAB OPC-1943 [FRA] | | |
| | 8900018220 | CAB OPC-1943 [ITR] | | |
| | 8900018220 | CAB OPC-1943 [ESP] | | |
| | 8900018220 | CAB OPC-1943 [EUR-01] | | |
| | 8900017860 | CAB OPC-1857 [KOR] | | |
| | 8900017860 | CAB OPC-1857 [CHN] | | |
| | 8900017860 | CAB OPC-1857 [EXP] | | |
| EP1 | 6910019200 | S.BEA N2012ZPS121T50 | T | 71.4/19.4 |
| EP2 | 6910019200 | S.BEA N2012ZPS121T50 | T | 71.4/16.1 |
| EP6 | 6910012350 | S.BEA MMZ1608Y 102BT | T | 19/21.6 |
| EP8 | 6910019200 | S.BEA N2012ZPS121T50 | T | 70.8/12.3 |
| EP11 | 6910012350 | S.BEA MMZ1608Y 102BT | T | 24.3/80 |
| EP12 | 6910019200 | S.BEA N2012ZPS121T50 | T | 26.3/79.4 |
| EP21 | 6910012350 | S.BEA MMZ1608Y 102BT | T | 9.8/83.1 |
| EP26 | 6910018930 | S.BEA MPZ2012S601A | T | 22/8.8 |
| EP27 | 6910018930 | S.BEA MPZ2012S601A | T | 28.5/7.5 |

M.=Mounted side (T: Mounted on the Top side, B: Mounted on the Bottom side)
S.=Surface mount

[FILTER BOARD]

| REF NO. | PARTS NO. | DESCRIPTION | M. | H/V LOCATION |
|---------|------------|---------------------------------------|----|--------------|
| Q149 | 1590001960 | S.TRA XP4311(TX) | T | 87.6/70.7 |
| Q150 | 1590001960 | S.TRA XP4311(TX) | T | 78.2/83.6 |
| Q151 | 1590001960 | S.TRA XP4311(TX) | T | 83.3/83.7 |
| Q152 | 1590001960 | S.TRA XP4311(TX) | T | 85.8/34.9 |
| Q153 | 1590001960 | S.TRA XP4311(TX) | T | 85.8/23.7 |
| Q154 | 1590001960 | S.TRA XP4311(TX) | T | 85.8/59.4 |
| Q158 | 1590001960 | S.TRA XP4311(TX) | T | 86/48.8 |
| D21 | 1790001250 | S.DIO MA2S111-(TX) | T | 86.1/52 |
| D41 | 1790001250 | S.DIO MA2S111-(TX) | T | 86.1/16 |
| D61 | 1790001250 | S.DIO MA2S111-(TX) | T | 86.1/26.5 |
| D81 | 1790001250 | S.DIO MA2S111-(TX) | T | 86.1/77.4 |
| D101 | 1790001250 | S.DIO MA2S111-(TX) | T | 72.3/83.6 |
| D121 | 1790001250 | S.DIO MA2S111-(TX) | T | 86.5/61.7 |
| D147 | 1790001250 | S.DIO MA2S111-(TX) | T | 86.1/40.1 |
| L21 | 6140001990 | COI LR-226 (T68-2) | T | |
| L22 | 6140002000 | COI LR-227 (T68-2) | T | |
| L23 | 6200005051 | S.COI NLV25T-330J | T | 86.7/55 |
| L24 | 6200005051 | S.COI NLV25T-330J | T | 10.3/63.9 |
| L41 | 6140001240 | COI LR-149 (T68-2) | T | |
| L42 | 6140001130 | COI LR-138 (T68-2) | T | |
| L43 | 6200005051 | S.COI NLV25T-330J | T | 86.7/19 |
| L44 | 6200005051 | S.COI NLV25T-330J | T | 2.4/17.6 |
| L61 | 6140001800 | COI LR-216 (T50-2) | T | |
| L62 | 6140001800 | COI LR-216 (T50-2) | T | |
| L63 | 6200005051 | S.COI NLV25T-330J | T | 86.7/29.5 |
| L64 | 6140001800 | COI LR-216 (T50-2) | T | |
| L65 | 6200005051 | S.COI NLV25T-330J | T | 4.6/31.8 |
| L81 | 6140003500 | COI LR-392 (T50-10) | T | |
| L82 | 6140003500 | COI LR-392 (T50-10) | T | |
| L83 | 6200005051 | S.COI NLV25T-330J | T | 86.7/80.4 |
| L84 | 6140001810 | COI LR-217 (T50-10) | T | |
| L85 | 6200005051 | S.COI NLV25T-330J | T | 3/79.4 |
| L101 | 6110002910 | COI LA-480 | T | |
| L102 | 6110002920 | COI LA-481 | T | |
| L103 | 6200005011 | S.COI NLV25T-100J | T | 73.6/86.2 |
| L104 | 6200005011 | S.COI NLV25T-100J | T | 9.1/81.2 |
| L121 | 6110002900 | COI LA-479 | T | |
| L122 | 6110002890 | COI LA-478 | T | |
| L123 | 6200005011 | S.COI NLV25T-100J | T | 86.7/65.2 |
| L124 | 6200005011 | S.COI NLV25T-100J | T | 11.9/68.2 |
| L141 | 6110003540 | COI LA-548 (LA-215A) | T | |
| L142 | 6110003570 | COI LA-550 | T | |
| L143 | 6110003550 | COI LA-547 (LA-214A) | T | |
| L144 | 6200002861 | S.COI NLV25T-4R7J | T | 86.7/43.1 |
| L145 | 6200002861 | S.COI NLV25T-4R7J | T | 4.8/49.8 |
| R21 | 7030003340 | S.RES ERJ3GEYJ 151 V (150) | T | 85.9/57.5 |
| R41 | 7030003340 | S.RES ERJ3GEYJ 151 V (150) | T | 85.9/21.8 |
| R61 | 7030003340 | S.RES ERJ3GEYJ 151 V (150) | T | 85.9/33 |
| R81 | 7030003340 | S.RES ERJ3GEYJ 151 V (150) | T | 85.8/82.8 |
| R101 | 7030003340 | S.RES ERJ3GEYJ 151 V (150) | T | 76/83.7 |
| R121 | 7030003340 | S.RES ERJ3GEYJ 151 V (150) | T | 86.7/68.2 |
| R141 | 7030003340 | S.RES ERJ3GEYJ 151 V (150) | T | 84.6/46.3 |
| C21 | 4030008920 | S.CER C1608 JB 1H 473K-T | T | 7/63.4 |
| C22 | 4030008920 | S.CER C1608 JB 1H 473K-T | T | 87.3/52 |
| C23 | 4010007510 | CER HM17SJ SL 821J 500V 1 | T | |
| C24 | 4320001050 | S.MIC UC342H 3900J-T | T | 30.1/49 |
| C26 | 4010007510 | CER HM17SJ SL 821J 500V 1 | T | |
| C27 | 4030012480 | S.CER GRM31M2C2H121JV01L (GRM42-6 CH) | T | 60.6/59.1 |
| C28 | 4010007510 | CER HM17SJ SL 821J 500V 1 | T | |
| C29 | 4010007590 | CER HM15SJ SL 681J 500V 1 | T | |
| C30 | 4010007510 | CER HM17SJ SL 821J 500V 1 | T | |
| C31 | 4010007510 | CER HM17SJ SL 821J 500V 1 | T | |
| C32 | 4010007590 | CER HM15SJ SL 681J 500V 1 | T | |
| C33 | 4030006880 | S.CER C1608 JB 1H 472K-T | T | 88.6/55.3 |
| C34 | 4010005930 | CER HM11SJ SL 391J 500V 1 | T | |
| C35 | 4030012480 | S.CER GRM31M2C2H121JV01L (GRM42-6 CH) | T | 41.4/47.8 |
| C36 | 4010007510 | CER HM17SJ SL 821J 500V 1 | T | |
| C37 | 4030011730 | S.CER GRM31M2C2H101JV01L (GRM42-6 CH) | T | 27.2/50 |
| C38 | 4030011550 | S.CER GRM31M2C2H680JV01L (GRM42-6 CH) | T | 25.1/50 |
| C41 | 4030008920 | S.CER C1608 JB 1H 473K-T | T | 4.6/17.3 |
| C42 | 4030008920 | S.CER C1608 JB 1H 473K-T | T | 87.3/16 |
| C44 | 4010005360 | CER HM11SJ SL 301J 500V 1 | T | |
| C45 | 4010005360 | CER HM11SJ SL 301J 500V 1 | T | |
| C46 | 4010005930 | CER HM11SJ SL 391J 500V 1 | T | |
| C47 | 4010005370 | CER HM11SJ SL 331J 500V 1 | T | |
| C48 | 4030011730 | S.CER GRM31M2C2H101JV01L (GRM42-6 CH) | T | 57.8/8.1 |
| C49 | 4010005850 | CER HM95SJ SL 181J 500V 1 | T | |
| C50 | 4010005930 | CER HM11SJ SL 391J 500V 1 | T | |
| C51 | 4030011240 | S.CER GRM31M2C2H470JV01L (GRM42-6 CH) | T | 71.3/6.8 |
| C52 | 4010005370 | CER HM11SJ SL 331J 500V 1 | T | |
| C53 | 4010005370 | CER HM11SJ SL 331J 500V 1 | T | |
| C54 | 4030006880 | S.CER C1608 JB 1H 472K-T | T | 88.6/19.3 |
| C56 | 4030011180 | S.CER GRM31M2C2H220JV01L (GRM42-6 CH) | T | 41.2/5.3 |
| C61 | 4030008920 | S.CER C1608 JB 1H 473K-T | T | 2.5/29.8 |
| C62 | 4030008920 | S.CER C1608 JB 1H 473K-T | T | 87.3/26.5 |
| C63 | 4010005930 | CER HM11SJ SL 391J 500V 1 | T | |
| C65 | 4030011730 | S.CER GRM31M2C2H101JV01L (GRM42-6 CH) | T | 15.8/21.1 |
| C66 | 4030011550 | S.CER GRM31M2C2H680JV01L (GRM42-6 CH) | T | 17.9/21.1 |
| C67 | 4010007490 | CER HM15SJ SL 561J 500V 1 | T | |

[FILTER BOARD]

| REF NO. | PARTS NO. | DESCRIPTION | M. | H/V LOCATION |
|---------|------------|--|----|--------------|
| C68 | 4030012480 | S.CER GRM31M2C2H121JV01L (GRM42-6 CH) | T | 33/23.2 |
| C69 | 4030012480 | S.CER GRM31M2C2H121JV01L (GRM42-6 CH) | T | 35.1/20.5 |
| C70 | 4010007590 | CER HM15SJ SL 681J 500V 1 | T | |
| C71 | 4030011730 | S.CER GRM31M2C2H101JV01L (GRM42-6 CH) | T | 56.1/23.9 |
| C72 | 4030006880 | S.CER C1608 JB 1H 472K-T | T | 88.6/29.8 |
| C74 | 4030011230 | S.CER GRM31M2C2H390JV01L (GRM42-6 CH) | T | 56.8/18.7 |
| C76 | 4030011180 | S.CER GRM31M2C2H220JV01L (GRM42-6 CH) | T | 71/23.3 |
| C77 | 4010005880 | CER HM95SJ SL 271J 500V 1 | T | |
| C81 | 4030008920 | S.CER C1608 JB 1H 473K-T | T | 3.6/76.4 |
| C82 | 4030008920 | S.CER C1608 JB 1H 473K-T | T | 87.3/77.4 |
| C83 | 4010005860 | CER HM95SJ SL 201J 500V 1 | T | |
| C84 | 4030011730 | S.CER GRM31M2C2H101JV01L (GRM42-6 CH) | T | 30.2/78.3 |
| C85 | 4030014460 | S.CER GRM31M2C2H820JV01L (GRM42-6 CH) | T | 50.8/74.7 |
| C86 | 4010005830 | CER HM74SJ SL 151J 500V 1 | T | |
| C87 | 4030011210 | S.CER GRM31M2C2H330JV01L (GRM42-6 CH) | T | 52.9/79.6 |
| C88 | 4030014460 | S.CER GRM31M2C2H820JV01L (GRM42-6 CH) | T | 72.1/73.6 |
| C89 | 4030006880 | S.CER C1608 JB 1H 472K-T | T | 88.6/80.7 |
| C90 | 4030011080 | S.CER GRM31M2C2H680JV01L (GRM42-6 CH) | T | 31.9/76.1 |
| C92 | 4030011230 | S.CER GRM31M2C2H390JV01L (GRM42-6 CH) | T | 50.8/79.6 |
| C101 | 4030006880 | S.CER C1608 JB 1H 472K-T | T | 10.1/83.7 |
| C102 | 4030006880 | S.CER C1608 JB 1H 472K-T | T | 73.5/83.6 |
| C103 | 4030011730 | S.CER GRM31M2C2H101JV01L (GRM42-6 CH) | T | 26.1/91.3 |
| C104 | 4030011510 | S.CER GRM31M2C2H560JV01L (GRM42-6 CH) | T | 31.8/91.3 |
| C105 | 4030012480 | S.CER GRM31M2C2H121JV01L (GRM42-6 CH) | T | 50.7/88.2 |
| C106 | 4030011170 | S.CER GRM31M2C2H180JV01L (GRM42-6 CH) | T | 50.7/93.1 |
| C107 | 4030011730 | S.CER GRM31M2C2H101JV01L (GRM42-6 CH) | T | 64.3/87.9 |
| C108 | 4030006880 | S.CER C1608 JB 1H 472K-T | T | 76.6/85.7 |
| C109 | 4030012480 | S.CER GRM31M2C2H121JV01L (GRM42-6 CH) | T | 48.4/88.2 |
| C110 | 4030011170 | S.CER GRM31M2C2H180JV01L (GRM42-6 CH) | T | 24/91.3 |
| C111 | 4030011140 | S.CER GRM31M2C2H120JV01L (GRM42-6 CH) | T | 29.7/88.2 |
| C121 | 4030006880 | S.CER C1608 JB 1H 472K-T | T | 11.7/65.8 |
| C122 | 4030006880 | S.CER C1608 JB 1H 472K-T | T | 86.4/62.9 |
| C123 | 4030011100 | S.CER GRM31M2C2H880RDV01L (GRM42-6 CH) | T | 67.5/62.2 |
| C124 | 4030011140 | S.CER GRM31M2C2H120JV01L (GRM42-6 CH) | T | 45.1/72.2 |
| C126 | 4030011210 | S.CER GRM31M2C2H330JV01L (GRM42-6 CH) | T | 67.5/68.1 |
| C127 | 4030011550 | S.CER GRM31M2C2H680JV01L (GRM42-6 CH) | T | 69.8/64.4 |
| C128 | 4030011180 | S.CER GRM31M2C2H220JV01L (GRM42-6 CH) | T | 33.9/66.2 |
| C129 | 4030006880 | S.CER C1608 JB 1H 472K-T | T | 88.6/65.5 |
| C130 | 4030011510 | S.CER GRM31M2C2H560JV01L (GRM42-6 CH) | T | 31.8/66.2 |
| C132 | 4030011730 | S.CER GRM31M2C2H101JV01L (GRM42-6 CH) | T | 50.2/68.7 |
| C133 | 4030011730 | S.CER GRM31M2C2H101JV01L (GRM42-6 CH) | T | 52.3/68.7 |
| C136 | 4030011110 | S.CER GRM31M2C2H980RDV01L (GRM42-6 CH) | T | |
| C142 | 4030011050 | S.CER GRM31M3C2H380CY21L (GRM42-6 CJ) | T | |
| C143 | 4030011240 | S.CER GRM31M2C2H470JV01L (GRM42-6 CH) | T | 28.7/30.1 |
| C145 | 4030011080 | S.CER GRM31M2C2H680RDV01L (GRM42-6 CH) | T | 25.2/31.6 |
| C146 | 4030011230 | S.CER GRM31M2C2H390JV01L (GRM42-6 CH) | T | 30.8/30.1 |
| C147 | 4030011180 | S.CER GRM31M2C2H220JV01L (GRM42-6 CH) | T | 37.4/38.2 |
| C148 | 4030011510 | S.CER GRM31M2C2H560JV01L (GRM42-6 CH) | T | 56.1/28.8 |
| C149 | 4030011140 | S.CER GRM31M2C2H120JV01L (GRM42-6 CH) | T | 66.4/35.5 |
| C150 | 4030011210 | S.CER GRM31M2C2H330JV01L (GRM42-6 CH) | T | 54/28.8 |
| C151 | 4030011180 | S.CER GRM31M2C2H220JV01L (GRM42-6 CH) | T | 71.9/35.5 |
| C152 | 4030011080 | S.CER GRM31M2C2H680RDV01L (GRM42-6 CH) | T | 74/35.5 |
| C153 | 4030011160 | S.CER GRM31M2C2H150JV01L (GRM42-6 CH) | T | 18/34.9 |
| C154 | 4030011060 | S.CER GRM31M2C2H480CY21L (GRM42-6 CH) | T | 68.5/35.5 |
| C156 | 4030006880 | S.CER C1608 JB 1H 472K-T | T | 87.3/40.1 |
| C157 | 4030006880 | S.CER C1608 JB 1H 472K-T | T | 4/47.4 |
| C158 | 4030006880 | S.CER C1608 JB 1H 472K-T | T | 86.5/45.6 |
| C159 | 4030006860 | S.CER C1608 JB 1H 102K-T | T | 79/94.4 |
| C160 | 4030006860 | S.CER C1608 JB 1H 102K-T | T | 82.6/94.4 |
| C161 | 4030006860 | S.CER C1608 JB 1H 102K-T | T | 81.4/94.4 |
| C162 | 4030006860 | S.CER C1608 JB 1H 102K-T | T | 76.6/94.4 |
| C163 | 4030006860 | S.CER C1608 JB 1H 102K-T | T | 75.3/94.4 |
| C164 | 4030006860 | S.CER C1608 JB 1H 102K-T | T | 77.8/94.4 |
| C165 | 4030006860 | S.CER C1608 JB 1H 102K-T | T | 80.2/94.4 |

M.=Mounted side (T: Mounted on the Top side, B: Mounted on the Bottom side) S.=Surface mount

[FILTER BOARD]

| REF NO. | PARTS NO. | DESCRIPTION | M. | H/V LOCATION |
|---------|------------|--------------------------|----|--------------|
| C166 | 4030006860 | S.CER C1608 JB 1H 102K-T | T | 86.5/86.7 |
| C167 | 4030006880 | S.CER C1608 JB 1H 472K-T | T | 4/52.2 |
| RL21 | 6330001721 | REL ATN207-K1 | | |
| RL22 | 6330001721 | REL ATN207-K1 | | |
| RL41 | 6330001721 | REL ATN207-K1 | | |
| RL42 | 6330001721 | REL ATN207-K1 | | |
| RL61 | 6330001721 | REL ATN207-K1 | | |
| RL62 | 6330001721 | REL ATN207-K1 | | |
| RL81 | 6330001721 | REL ATN207-K1 | | |
| RL82 | 6330001721 | REL ATN207-K1 | | |
| RL101 | 6330001721 | REL ATN207-K1 | | |
| RL102 | 6330001721 | REL ATN207-K1 | | |
| RL121 | 6330001721 | REL ATN207-K1 | | |
| RL122 | 6330001721 | REL ATN207-K1 | | |
| RL141 | 6330001721 | REL ATN207-K1 | | |
| RL142 | 6330001721 | REL ATN207-K1 | | |
| J9 | 6510007020 | CON TMP-J01X-V6 | | |
| J10 | 6510007020 | CON TMP-J01X-V6 | | |
| J11 | 6510019971 | S.CON 52808-1071 | T | 80.5/89.2 |

[FRONT UNIT]

| REF NO. | PARTS NO. | DESCRIPTION | M. | H/V LOCATION |
|---------|------------|----------------------------------|----|--------------|
| SP1 | 2510001480 | SPE 4050P0802 <FG> | | |
| W1 | 8900014720 | CAB OPC-909A (P1,N10,L110) <TJM> | | |
| W2 | 8900014740 | CAB OPC-885A (P1,N10,L39) <TJM> | | |
| W3 | 8900014740 | CAB OPC-885A (P1,N10,L39) <TJM> | | |
| W4 | 8900018190 | CAB OPC-1892A [USA] | | |
| | 8900018200 | CAB OPC-1941 [EUR] | | |
| | 8900018200 | CAB OPC-1941 [FRA] | | |
| | 8900018200 | CAB OPC-1941 [ITR] | | |
| | 8900018200 | CAB OPC-1941 [ESP] | | |
| | 8900018200 | CAB OPC-1941 [EUR-01] | | |
| | 8900018190 | CAB OPC-1892A [KOR] | | |
| | 8900018190 | CAB OPC-1892A [CHN] | | |
| | 8900018190 | CAB OPC-1892A [EXP] | | |
| EP1 | 0880001360 | UNI EX-2500 #02 SENSOR | | |
| EP3 | 6450001230 | E.O HLJ0999-01-480 2 | | |

[LOGIC UNIT]

| REF NO. | PARTS NO. | DESCRIPTION | M. | H/V LOCATION |
|---------|------------|------------------------------|----|--------------|
| IC1 | 1140014972 | S.IC M30620FCPGP(SX-3015A-2) | B | 61.6/48.2 |
| IC2 | 1130012430 | S.IC S-24CS64A0I-T8T1G | B | 97.2/33.1 |
| IC3 | 1110006260 | S.IC BD5242G-TR | B | 10.3/64.3 |
| IC5 | 1180000421 | S.IC TA78L05F(TE12R,F) | B | 50/13.3 |
| IC6 | 1180001071 | S.IC TA7805F(TE16L,Q) | B | 171.5/48.1 |
| IC7 | 1130013580 | S.IC LC75813T-E | B | 97.5/50.5 |
| IC100 | 1180002080 | S.REG BA09FP-E2 | B | 161.2/62.7 |
| IC101 | 1180001071 | S.IC TA7805F(TE16L,Q) | B | 130.6/59.3 |
| IC103 | 1130005721 | S.IC TC7W04F(TE12L,F) | T | 69.9/25.2 |
| IC1071 | 1110001811 | S.IC TA7368FG(5,ER) | T | 130/5.9 |
| Q1 | 1590000680 | S.TRA DTC114EUA T106 | B | 174.6/16 |
| Q51 | 1560001290 | S.FET 2SK3065 T100 | B | 71.2/5.5 |
| Q70 | 1540000441 | S.TRA 2SD1619T-TD-E | B | 151.7/41.7 |
| Q71 | 1590000680 | S.TRA DTC114EUA T106 | B | 158.8/43.9 |
| Q72 | 1590000680 | S.TRA DTC114EUA T106 | B | 158.8/41.4 |
| Q102 | 1590001650 | S.TRA XP4601(TX) | T | 71.1/19.5 |
| Q103 | 1590000680 | S.TRA DTC114EUA T106 | T | 41.7/32 |
| Q104 | 1590000680 | S.TRA DTC114EUA T106 | T | 36.6/25.9 |
| Q106 | 1590001330 | S.TRA DTA114EUA T106 | T | 33.6/35.1 |
| Q211 | 1530002060 | S.TRA 2SC4081 T106 R | B | 19.1/36 |
| Q212 | 1590001330 | S.TRA DTA114EUA T106 | T | 39.3/26.7 |
| D1 | 1160000070 | S.DIO DAN202K T146 | B | 22/26.3 |
| D2 | 1790001250 | S.DIO MA2S111-(TX) | B | 50.2/34.4 |
| D30 | 1790001250 | S.DIO MA2S111-(TX) | T | 142/55 |
| D31 | 1160000070 | S.DIO DAN202K T146 | T | 160.2/55.2 |
| D32 | 1790001250 | S.DIO MA2S111-(TX) | T | 142/51 |
| D33 | 1160000070 | S.DIO DAN202K T146 | T | 160.2/46.2 |
| D34 | 1790001250 | S.DIO MA2S111-(TX) | T | 142/37 |
| D35 | 1160000070 | S.DIO DAN202K T146 | T | 160.2/37.2 |
| D36 | 1790001250 | S.DIO MA2S111-(TX) | T | 142/28 |
| D37 | 1160000070 | S.DIO DAN202K T146 | T | 160.2/28.2 |
| D38 | 1790001250 | S.DIO MA2S111-(TX) | T | 141/64.2 |
| D39 | 1160000070 | S.DIO DAN202K T146 | T | 154.5/64.4 |
| D40 | 1790001250 | S.DIO MA2S111-(TX) | T | 142.1/17.3 |
| D41 | 1790001250 | S.DIO MA2S111-(TX) | T | 143.4/17.3 |
| D42 | 1160000070 | S.DIO DAN202K T146 | T | 79.2/23.2 |
| D43 | 1790001250 | S.DIO MA2S111-(TX) | T | 82.7/13.4 |
| D44 | 1790001250 | S.DIO MA2S111-(TX) | T | 76.2/22.8 |
| D45 | 1790001250 | S.DIO MA2S111-(TX) | B | 45.7/29.3 |
| D46 | 1730002531 | S.ZEN NNCD6.2G-T1-A | B | 139.3/21 |
| D47 | 1790001250 | S.DIO MA2S111-(TX) | B | 31.8/33.9 |
| D48 | 1790001250 | S.DIO MA2S111-(TX) [EUR] | B | 123.6/33.2 |
| | 1790001250 | S.DIO MA2S111-(TX) [ITR] | | |
| | 1790001250 | S.DIO MA2S111-(TX) [ESP] | | |
| D49 | 1790001250 | S.DIO MA2S111-(TX) [EUR-01] | B | 123.6/31.9 |
| | 1790001250 | S.DIO MA2S111-(TX) [USA] | | |
| | 1790001250 | S.DIO MA2S111-(TX) [EUR] | | |
| | 1790001250 | S.DIO MA2S111-(TX) [ITR] | | |
| | 1790001250 | S.DIO MA2S111-(TX) [ESP] | | |
| | 1790001250 | S.DIO MA2S111-(TX) [EUR-01] | | |
| | 1790001250 | S.DIO MA2S111-(TX) [KOR] | | |
| | 1790001250 | S.DIO MA2S111-(TX) [CHN] | | |
| | 1790001250 | S.DIO MA2S111-(TX) [EXP] | | |
| D50 | 1790001250 | S.DIO MA2S111-(TX) [USA] | B | 123.6/30.6 |
| | 1790001250 | S.DIO MA2S111-(TX) [EUR] | | |
| | 1790001250 | S.DIO MA2S111-(TX) [EUR-01] | | |
| | 1790001250 | S.DIO MA2S111-(TX) [CHN] | | |
| D51 | 1790001250 | S.DIO MA2S111-(TX) [EXP] | B | 123.6/29.3 |
| | 1790001250 | S.DIO MA2S111-(TX) [FRA] | | |
| | 1790001250 | S.DIO MA2S111-(TX) [ESP] | | |
| | 1790001250 | S.DIO MA2S111-(TX) [EUR-01] | | |
| D52 | 1790001250 | S.DIO MA2S111-(TX) [KOR] | B | 123.6/28 |
| | 1790001250 | S.DIO MA2S111-(TX) [EUR] | | |
| | 1790001250 | S.DIO MA2S111-(TX) [ITR] | | |
| | 1790001250 | S.DIO MA2S111-(TX) [ESP] | | |
| D53 | 1790001250 | S.DIO MA2S111-(TX) [EUR-01] | B | 123.6/26.7 |
| | 1790001250 | S.DIO MA2S111-(TX) [USA] | | |
| | 1790001250 | S.DIO MA2S111-(TX) [EUR] | | |
| | 1790001250 | S.DIO MA2S111-(TX) [ITR] | | |
| | 1790001250 | S.DIO MA2S111-(TX) [ESP] | | |
| | 1790001250 | S.DIO MA2S111-(TX) [EUR-01] | | |
| | 1790001250 | S.DIO MA2S111-(TX) [KOR] | | |
| | 1790001250 | S.DIO MA2S111-(TX) [CHN] | | |
| | 1790001250 | S.DIO MA2S111-(TX) [EXP] | | |
| D54 | 1790001250 | S.DIO MA2S111-(TX) [USA] | B | 123.6/25.4 |
| | 1790001250 | S.DIO MA2S111-(TX) [EUR] | | |
| | 1790001250 | S.DIO MA2S111-(TX) [EUR-01] | | |
| | 1790001250 | S.DIO MA2S111-(TX) [CHN] | | |
| | 1790001250 | S.DIO MA2S111-(TX) [EXP] | | |
| D55 | 1790001250 | S.DIO MA2S111-(TX) [FRA] | B | 123.6/24.1 |
| | 1790001250 | S.DIO MA2S111-(TX) [ESP] | | |
| | 1790001250 | S.DIO MA2S111-(TX) [EUR-01] | | |
| | 1790001250 | S.DIO MA2S111-(TX) [KOR] | | |
| D56 | 1160000070 | S.DIO DAN202K T146 | B | 22/32.4 |
| D57 | 1790001250 | S.DIO MA2S111-(TX) [USA] | B | 119.3/31.8 |
| | 1790001250 | S.DIO MA2S111-(TX) [EUR] | | |
| | 1790001250 | S.DIO MA2S111-(TX) [FRA] | | |
| | 1790001250 | S.DIO MA2S111-(TX) [EUR-01] | | |
| | 1790001250 | S.DIO MA2S111-(TX) [KOR] | | |
| | 1790001250 | S.DIO MA2S111-(TX) [CHN] | | |
| | 1790001250 | S.DIO MA2S111-(TX) [EXP] | | |
| D58 | 1790001250 | S.DIO MA2S111-(TX) | B | 119.2/30.6 |
| D59 | 1790001250 | S.DIO MA2S111-(TX) | B | 119.2/29.3 |
| D61 | 1790001250 | S.DIO MA2S111-(TX) | B | 119.2/26.7 |
| D62 | 1790001250 | S.DIO MA2S111-(TX) | B | 119.2/25.4 |
| D63 | 1790001250 | S.DIO MA2S111-(TX) [USA] | B | 119.2/24.1 |
| | 1790001250 | S.DIO MA2S111-(TX) [EUR] | | |
| | 1790001250 | S.DIO MA2S111-(TX) [ITR] | | |
| | 1790001250 | S.DIO MA2S111-(TX) [ESP] | | |
| | 1790001250 | S.DIO MA2S111-(TX) [EUR-01] | | |

M.=Mounted side (T: Mounted on the Top side, B: Mounted on the Bottom side)
S.=Surface mount

[LOGIC UNIT]

| REF NO. | PARTS NO. | DESCRIPTION | M. | H/V LOCATION |
|---------|------------|----------------------------------|----|--------------|
| D63 | 1790001250 | S.DIO MA2S111-(TX) [KOR] | | |
| | 1790001250 | S.DIO MA2S111-(TX) [CHN] | | |
| | 1790001250 | S.DIO MA2S111-(TX) [EXP] | | |
| D64 | 1790001250 | S.DIO MA2S111-(TX) | B | 116.6/24.1 |
| D80 | 1730002320 | S.ZEN MA8051-M(TX) | B | 159.3/38.6 |
| D81 | 1790001250 | S.DIO MA2S111-(TX) | B | 157.7/39 |
| D102 | 1790001250 | S.DIO MA2S111-(TX) | T | 73/18.1 |
| D104 | 1750000370 | S.DIO DA221 TL | T | 33.4/27.3 |
| D120 | 1750000370 | S.DIO DA221 TL | T | 35.8/43.9 |
| D121 | 1750000370 | S.DIO DA221 TL | T | 35.8/45.9 |
| D122 | 1750000370 | S.DIO DA221 TL | T | 35.3/38.6 |
| D123 | 1750000370 | S.DIO DA221 TL | T | 35.8/41.9 |
| D124 | 1750000370 | S.DIO DA221 TL | T | 35.6/29.5 |
| D125 | 1750000370 | S.DIO DA221 TL | T | 38.5/34.7 |
| D126 | 1750000370 | S.DIO DA221 TL | B | 30.2/31.5 |
| D180 | 1750000370 | S.DIO DA221 TL | T | 37.8/29.9 |
| D194 | 1750000370 | S.DIO DA221 TL | B | 27.2/32.6 |
| D211 | 1790001250 | S.DIO MA2S111-(TX) | B | 21.7/38.5 |
| X1 | 6050010501 | S.XTA CR-636A SMD-49 14.7456 MHz | B | 64.6/62.4 |
| L1 | 6200003261 | S.COI NLV32T-101J | B | 45.9/33 |
| L2 | 6200003261 | S.COI NLV32T-101J | B | 80.8/45.9 |
| L3 | 6200002041 | S.COI NLV25T-101J | B | 69.6/36.3 |
| L40 | 6200003261 | S.COI NLV32T-101J | B | 136.8/17.4 |
| L41 | 6200002041 | S.COI NLV25T-101J | B | 56.2/5.7 |
| L42 | 6200002041 | S.COI NLV25T-101J | B | 56.2/3.2 |
| L70 | 6200003261 | S.COI NLV32T-101J | T | 30.1/35.7 |
| L100 | 6200003261 | S.COI NLV32T-101J | T | 67.8/29.5 |
| L105 | 6200003261 | S.COI NLV32T-101J | B | 160.8/27.6 |
| L1073 | 6200003261 | S.COI NLV32T-101J | B | 123.7/36.5 |
| R1 | 7030003860 | S.RES ERJ3GE JPW V | B | 86.9/48.9 |
| R2 | 7030003630 | S.RES ERJ3GEYJ 393 V (39K) | B | 86.9/51.5 |
| R3 | 7030003630 | S.RES ERJ3GEYJ 393 V (39K) | B | 86.9/54.2 |
| R4 | 7030003630 | S.RES ERJ3GEYJ 393 V (39K) | B | 85.1/54.7 |
| R5 | 7030005671 | S.RES ERA3YKD 393V (39K) | B | 85.2/58.8 |
| R6 | 7030003680 | S.RES ERJ3GEYJ 104 V (100K) | B | 85.2/60.1 |
| R7 | 7030003440 | S.RES ERJ3GEYJ 102 V (1K) | B | 170.4/16.2 |
| R18 | 7030006220 | S.RES ERJ12YJ470U (47) | B | 45.7/13.5 |
| R19 | 7030010250 | S.RES ERJ1TYJ 0R00U | B | 159.8/49.9 |
| R20 | 7030003640 | S.RES ERJ3GEYJ 473 V (47K) | B | 17.9/63.9 |
| R21 | 7030003630 | S.RES ERJ3GEYJ 393 V (39K) | B | 13.9/63.5 |
| R22 | 7030003560 | S.RES ERJ3GEYJ 103 V (10K) | B | 13.9/65.4 |
| R24 | 7030003560 | S.RES ERJ3GEYJ 103 V (10K) | B | 96.4/29.3 |
| R25 | 7030003600 | S.RES ERJ3GEYJ 223 V (22K) | B | 96.4/30.6 |
| R31 | 7030003640 | S.RES ERJ3GEYJ 473 V (47K) | B | 50.2/33.1 |
| R36 | 7030003640 | S.RES ERJ3GEYJ 473 V (47K) | T | 143.3/55 |
| R37 | 7030003640 | S.RES ERJ3GEYJ 473 V (47K) | T | 143.3/51.1 |
| R38 | 7030003640 | S.RES ERJ3GEYJ 473 V (47K) | T | 143.3/37 |
| R39 | 7030003640 | S.RES ERJ3GEYJ 473 V (47K) | T | 143.3/28 |
| R40 | 7030003640 | S.RES ERJ3GEYJ 473 V (47K) | T | 142.3/64.3 |
| R41 | 7030003640 | S.RES ERJ3GEYJ 473 V (47K) | T | 144.7/17.3 |
| R42 | 7030003640 | S.RES ERJ3GEYJ 473 V (47K) | T | 81.2/21.5 |
| R43 | 7030003640 | S.RES ERJ3GEYJ 473 V (47K) | T | 76.3/21.5 |
| R49 | 7030003720 | S.RES ERJ3GEYJ 224 V (220K) | B | 139.8/18.6 |
| R51 | 7030003440 | S.RES ERJ3GEYJ 102 V (1K) | B | 21.7/34.7 |
| R52 | 7030003480 | S.RES ERJ3GEYJ 222 V (2.2K) | B | 21.7/30 |
| R53 | 7030003480 | S.RES ERJ3GEYJ 222 V (2.2K) | B | 19.1/30 |
| R54 | 7030003720 | S.RES ERJ3GEYJ 224 V (220K) | B | 142.4/20.7 |
| R55 | 7030003520 | S.RES ERJ3GEYJ 472 V (4.7K) | B | 19.1/31.3 |
| R56 | 7030003440 | S.RES ERJ3GEYJ 102 V (1K) | B | 72.2/8.7 |
| R57 | 7030003560 | S.RES ERJ3GEYJ 103 V (10K) | B | 74.5/6.3 |
| R59 | 7030003560 | S.RES ERJ3GEYJ 103 V (10K) | T | 41.7/28.1 |
| R60 | 7030003440 | S.RES ERJ3GEYJ 102 V (1K) | B | 152.8/26.8 |
| R61 | 7030003440 | S.RES ERJ3GEYJ 102 V (1K) | B | 154.8/26.8 |
| R62 | 7030003480 | S.RES ERJ3GEYJ 222 V (2.2K) | B | 29.2/33.1 |
| R63 | 7030003480 | S.RES ERJ3GEYJ 222 V (2.2K) | B | 29.2/34.3 |
| R64 | 7030003440 | S.RES ERJ3GEYJ 102 V (1K) | B | 156.8/26.8 |
| R66 | 7030003440 | S.RES ERJ3GEYJ 102 V (1K) | B | 139.8/17.3 |
| R67 | 7030003440 | S.RES ERJ3GEYJ 102 V (1K) | B | 142.4/22 |
| R70 | 7030003380 | S.RES ERJ3GEYJ 331 V (330) | B | 155.8/40.9 |
| R71 | 7030003410 | S.RES ERJ3GEYJ 561 V (560) | B | 155.8/44.8 |
| R72 | 7030003430 | S.RES ERJ3GEYJ 821 V (820) | B | 155.8/43.5 |
| R73 | 7030003510 | S.RES ERJ3GEYJ 392 V (3.9K) | B | 155.8/42.2 |
| R74 | 7030003440 | S.RES ERJ3GEYJ 102 V (1K) | B | 155.8/46.1 |
| R75 | 7030009800 | S.RES ERJ12YJ121U (120) | B | 142.8/43.9 |
| R76 | 7030003440 | S.RES ERJ3GEYJ 102 V (1K) | T | 19.2/24.4 |
| R77 | 7030003440 | S.RES ERJ3GEYJ 102 V (1K) | T | 18.4/26.7 |
| R78 | 7030003440 | S.RES ERJ3GEYJ 102 V (1K) | T | 18.4/32.6 |
| R79 | 7030003440 | S.RES ERJ3GEYJ 102 V (1K) | T | 18.4/29.7 |
| R80 | 7030003420 | S.RES ERJ3GEYJ 681 V (680) | B | 156.4/39 |
| R81 | 7030009800 | S.RES ERJ12YJ121U (120) | B | 146.5/43.9 |
| R82 | 7030009800 | S.RES ERJ12YJ121U (120) | B | 139/43.9 |
| R100 | 7030003680 | S.RES ERJ3GEYJ 104 V (100K) | T | 70.4/29.6 |
| R101 | 7030003680 | S.RES ERJ3GEYJ 104 V (100K) | T | 71.7/29.6 |
| R102 | 7030003680 | S.RES ERJ3GEYJ 104 V (100K) | T | 67.9/20.8 |
| R103 | 7030003590 | S.RES ERJ3GEYJ 183 V (18K) | T | 69.2/20.8 |
| R104 | 7030003540 | S.RES ERJ3GEYJ 682 V (6.8K) | T | 67.9/18.2 |
| R105 | 7030003620 | S.RES ERJ3GEYJ 333 V (33K) | T | 70.9/17.3 |
| R106 | 7030003640 | S.RES ERJ3GEYJ 473 V (47K) | T | 71/21.5 |
| R107 | 7030003600 | S.RES ERJ3GEYJ 223 V (22K) | B | 7.6/32.7 |
| R108 | 7030003380 | S.RES ERJ3GEYJ 331 V (330) | T | 33.4/37.5 |
| R109 | 7030010500 | S.RES ERJ1TYJ 2R2U | B | 155/55.6 |
| R110 | 7030010250 | S.RES ERJ1TYJ 0R00U | B | 142.5/54.8 |
| R113 | 7030003860 | S.RES ERJ3GE JPW V | T | 73.2/21.9 |
| R114 | 7030003440 | S.RES ERJ3GEYJ 102 V (1K) | T | 33.9/25.6 |
| R115 | 7030003800 | S.RES ERJ3GEYJ 105 V (1M) | T | 31.3/26.4 |
| R126 | 7030003360 | S.RES ERJ3GEYJ 221 V (220) | T | 38.7/42.3 |
| R127 | 7030003360 | S.RES ERJ3GEYJ 221 V (220) | T | 38.7/40.9 |
| R151 | 7030003360 | S.RES ERJ3GEYJ 221 V (220) | T | 41.3/42.4 |

[LOGIC UNIT]

| REF NO. | PARTS NO. | DESCRIPTION | M. | H/V LOCATION |
|---------|------------|-----------------------------|----|--------------|
| R152 | 7030003360 | S.RES ERJ3GEYJ 221 V (220) | T | 41.3/41.1 |
| R153 | 7030003640 | S.RES ERJ3GEYJ 473 V (47K) | T | 30/58.9 |
| R154 | 7030003360 | S.RES ERJ3GEYJ 221 V (220) | B | 29.6/29.2 |
| R155 | 7030003360 | S.RES ERJ3GEYJ 221 V (220) | T | 41.3/43.7 |
| R156 | 7030003360 | S.RES ERJ3GEYJ 221 V (220) | T | 41.3/45 |
| R157 | 7030003360 | S.RES ERJ3GEYJ 221 V (220) | T | 33.1/29.5 |
| R158 | 7030003360 | S.RES ERJ3GEYJ 221 V (220) | B | 31/29.2 |
| R159 | 7030003360 | S.RES ERJ3GEYJ 221 V (220) | B | 33.6/29.2 |
| R162 | 7030003640 | S.RES ERJ3GEYJ 473 V (47K) | T | 35.1/56.3 |
| R163 | 7030003440 | S.RES ERJ3GEYJ 102 V (1K) | B | 40/30.2 |
| R169 | 7030003360 | S.RES ERJ3GEYJ 221 V (220) | B | 32.3/29.2 |
| R171 | 7030003360 | S.RES ERJ3GEYJ 221 V (220) | B | 34.3/54.8 |
| R172 | 7030003360 | S.RES ERJ3GEYJ 221 V (220) | B | 36.8/50.7 |
| R173 | 7030006571 | S.RES ERA3YED 392V (3.9K) | T | 39.2/38.9 |
| R174 | 7030006101 | S.RES ERA3YED 183V (18K) | T | 37.4/32.9 |
| R175 | 7030003360 | S.RES ERJ3GEYJ 221 V (220) | T | 28.7/58.9 |
| R176 | 7030003360 | S.RES ERJ3GEYJ 221 V (220) | B | 35.5/50.3 |
| R177 | 7030003360 | S.RES ERJ3GEYJ 221 V (220) | B | 34.2/50.3 |
| R180 | 7030003640 | S.RES ERJ3GEYJ 473 V (47K) | T | 39.4/29.7 |
| R181 | 7030003640 | S.RES ERJ3GEYJ 473 V (47K) | T | 35.5/40.2 |
| R182 | 7030003640 | S.RES ERJ3GEYJ 473 V (47K) | T | 35.2/37 |
| R183 | 7030003440 | S.RES ERJ3GEYJ 102 V (1K) | T | 35.3/31.1 |
| R197 | 7030003480 | S.RES ERJ3GEYJ 222 V (2.2K) | B | 21.7/28.7 |
| R198 | 7030003480 | S.RES ERJ3GEYJ 222 V (2.2K) | B | 19.7/27.9 |
| R199 | 7030003520 | S.RES ERJ3GEYJ 472 V (4.7K) | B | 18.5/26.5 |
| R201 | 7030003440 | S.RES ERJ3GEYJ 102 V (1K) | B | 21.7/24 |
| R202 | 7030003440 | S.RES ERJ3GEYJ 102 V (1K) | B | 52.8/93.1 |
| R203 | 7030003440 | S.RES ERJ3GEYJ 102 V (1K) | B | 56.1/37.2 |
| R204 | 7030003440 | S.RES ERJ3GEYJ 102 V (1K) | B | 57.1/34.6 |
| R205 | 7030003440 | S.RES ERJ3GEYJ 102 V (1K) | B | 55.5/37.2 |
| R206 | 7030003440 | S.RES ERJ3GEYJ 102 V (1K) | B | 58.7/34.6 |
| R207 | 7030003440 | S.RES ERJ3GEYJ 102 V (1K) | B | 60/37.2 |
| R211 | 7030003640 | S.RES ERJ3GEYJ 473 V (47K) | B | 21.7/37.3 |
| R212 | 7030003360 | S.RES ERJ3GEYJ 221 V (220) | B | 32.9/50.2 |
| R213 | 7030003520 | S.RES ERJ3GEYJ 472 V (4.7K) | B | 23.6/36.7 |
| R214 | 7030003620 | S.RES ERJ3GEYJ 333 V (33K) | B | 21.7/36 |
| R215 | 7030003580 | S.RES ERJ3GEYJ 153 V (15K) | B | 19.1/33.9 |
| R216 | 7030003440 | S.RES ERJ3GEYJ 102 V (1K) | T | 76.2/24.1 |
| R217 | 7030003440 | S.RES ERJ3GEYJ 102 V (1K) | T | 83/23.4 |
| R218 | 7030003440 | S.RES ERJ3GEYJ 102 V (1K) | T | 83/24.7 |
| R219 | 7030003440 | S.RES ERJ3GEYJ 102 V (1K) | T | 83/26 |
| R220 | 7030003440 | S.RES ERJ3GEYJ 102 V (1K) | T | 83/27.3 |
| R221 | 7030003440 | S.RES ERJ3GEYJ 102 V (1K) | T | 83/28.6 |
| R227 | 7030003200 | S.RES ERJ3GEYJ 100 V (10) | B | 136.9/21.3 |
| R228 | 7030003360 | S.RES ERJ3GEYJ 221 V (220) | T | 39.7/55.6 |
| R229 | 7030003360 | S.RES ERJ3GEYJ 221 V (220) | T | 32.5/58.9 |
| R230 | 7030003360 | S.RES ERJ3GEYJ 221 V (220) | T | 33.8/58.9 |
| R231 | 7030003360 | S.RES ERJ3GEYJ 221 V (220) | T | 35.1/58.9 |
| R232 | 7030003360 | S.RES ERJ3GEYJ 221 V (220) | T | 36.4/58.9 |
| R233 | 7030003360 | S.RES ERJ3GEYJ 221 V (220) | T | 37.7/58.9 |
| R234 | 7030003360 | S.RES ERJ3GEYJ 221 V (220) | B | 42.6/55.4 |
| R235 | 7030003360 | S.RES ERJ3GEYJ 221 V (220) | T | 38.5/55.6 |
| R236 | 7030003360 | S.RES ERJ3GEYJ 221 V (220) | B | 40/55.4 |
| R237 | 7030003360 | S.RES ERJ3GEYJ 221 V (220) | B | 43.9/55.4 |
| R238 | 7030003360 | S.RES ERJ3GEYJ 221 V (220) | B | 38.7/55.3 |
| R239 | 7030003860 | S.RES ERJ3GE JPW V | T | 38.7/43.5 |
| R301 | 7030003640 | S.RES ERJ3GEYJ 473 V (47K) | B | 75.9/53.4 |
| R302 | 7030003640 | S.RES ERJ3GEYJ 473 V (47K) | B | 81.6/55.7 |
| R303 | 7030003640 | S.RES ERJ3GEYJ 473 V (47K) | B | 81.6/54.4 |
| R304 | 7030003640 | S.RES ERJ3GEYJ 473 V (47K) | B | 74.6/53.4 |
| R305 | 7030003560 | S.RES ERJ3GEYJ 103 V (10K) | B | 72.6/64.1 |
| R306 | 7030003680 | S.RES ERJ3GEYJ 104 V (100K) | B | 75.2/64.1 |
| R307 | 7030003640 | S.RES ERJ3GEYJ 473 V (47K) | B | 73.9/64.1 |
| R1071 | 7030003530 | S.RES ERJ3GEYJ 562 V (5.6K) | T | 129.7/13.7 |
| R1072 | 7030003410 | S.RES ERJ3GEYJ 561 V (560) | T | 129.6/12.5 |
| R1073 | 7030003860 | S.RES ERJ3GE JPW V | T | 132.3/12 |
| R1074 | 7030003860 | S.RES ERJ3GE JPW V | T | 127.9/11.2 |
| R1075 | 7030003360 | S.RES ERJ3GEYJ 221 V (220) | T | 41/55.6 |
| R1076 | 7030003360 | S.RES ERJ3GEYJ 2 | | |

[LOGIC UNIT]

| REF NO. | PARTS NO. | DESCRIPTION | M. | H/V LOCATION |
|---------|------------|-----------------------------|----|--------------|
| C45 | 4030006880 | S.CER C1608 JB 1H 472K-T | B | 155.5/28.7 |
| C47 | 4030006880 | S.CER C1608 JB 1H 472K-T | B | 66.1/3.3 |
| C49 | 4030006880 | S.CER C1608 JB 1H 472K-T | B | 158.1/28.7 |
| C50 | 4030006880 | S.CER C1608 JB 1H 472K-T | B | 25.6/32.5 |
| C70 | 4030006880 | S.CER C1608 JB 1H 472K-T | T | 15.5/29.6 |
| C71 | 4030006880 | S.CER C1608 JB 1H 472K-T | T | 16.9/33.8 |
| C72 | 4030006880 | S.CER C1608 JB 1H 472K-T | T | 15.5/28.3 |
| C73 | 4030006880 | S.CER C1608 JB 1H 472K-T | T | 15.9/25.7 |
| C74 | 4030017490 | S.CER C1608 JB 1A 105K-T | B | 155.1/39 |
| C101 | 4030011600 | S.CER C1608 JB 1E 104K-T | T | 66.5/26.4 |
| C102 | 4030006880 | S.CER C1608 JB 1H 472K-T | T | 36.5/27.8 |
| C103 | 4030012610 | S.CER C2012 JB 1C 474K-T | T | 66.2/23.4 |
| C104 | 4030011600 | S.CER C1608 JB 1E 104K-T | B | 138/60.8 |
| C105 | 4030011600 | S.CER C1608 JB 1E 104K-T | B | 155.8/61.2 |
| C106 | 4030019490 | S.CER C2012 JB 1A 106K-T | B | 139.7/61.3 |
| C107 | 4030011600 | S.CER C1608 JB 1E 104K-T | B | 155.8/64.2 |
| C108 | 4030019490 | S.CER C2012 JB 1A 106K-T | B | 136.4/54.5 |
| C109 | 4030019490 | S.CER C2012 JB 1A 106K-T | B | 154.1/63.4 |
| C110 | 4030011600 | S.CER C1608 JB 1E 104K-T | B | 138/57.9 |
| C158 | 4030017490 | S.CER C1608 JB 1A 105K-T | B | 39.7/37.4 |
| C170 | 4030006880 | S.CER C1608 JB 1H 472K-T | B | 23.5/23.6 |
| C171 | 4030006880 | S.CER C1608 JB 1H 472K-T | T | 39.2/37.7 |
| C172 | 4030018910 | S.CER C1608 JB 0J 475K-T | T | 38.4/36.4 |
| C211 | 4030006880 | S.CER C1608 JB 1H 472K-T | B | 19.1/32.6 |
| C212 | 4030011600 | S.CER C1608 JB 1E 104K-T | B | 19.1/38.4 |
| C1071 | 4030011600 | S.CER C1608 JB 1E 104K-T | T | 127.8/14.5 |
| C1072 | 4510009700 | S.ELE EEEFK1C101P | B | 128.2/19.3 |
| C1073 | 4510009820 | S.ELE EEEFK1C470P | B | 129.1/5.1 |
| C1074 | 4510009820 | S.ELE EEEFK1C470P | B | 129.1/12.2 |
| J1 | 6510018971 | S.CON B4B-PH-SM4-TB(LF)(SN) | B | 140.7/29.4 |
| J3 | 6510019971 | S.CON 52808-1071 | B | 157.3/22.7 |
| J4 | 6510019971 | S.CON 52808-1071 | B | 61/7.7 |
| J5 | 6510019971 | S.CON 52808-1071 | B | 9.3/29.1 |
| J101 | 6510024151 | S.CON 50FY-BMT-TB(LF)(SN) | B | 39.2/25.8 |
| J102 | 6510024151 | S.CON 50FY-BMT-TB(LF)(SN) | B | 39.2/61 |
| J301 | 6510019971 | S.CON 52808-1071 | B | 77.2/59.4 |
| DS1 | 5030003090 | LCD S11325 <SUC> | | |
| DS2 | 5040002940 | S.LED TLYU1002A(T02) | T | 172.5/14.3 |
| DS70 | 5040002940 | S.LED TLYU1002A(T02) | T | 61.5/49.1 |
| DS71 | 5040002940 | S.LED TLYU1002A(T02) | T | 53/49.1 |
| DS73 | 5040002940 | S.LED TLYU1002A(T02) | T | 53/59.2 |
| DS74 | 5040002940 | S.LED TLYU1002A(T02) | T | 61.5/59.2 |
| DS76 | 5040002940 | S.LED TLYU1002A(T02) | T | 70/59.2 |
| DS77 | 5040002940 | S.LED TLYU1002A(T02) | T | 70/49.1 |
| DS79 | 5040002940 | S.LED TLYU1002A(T02) | T | 78.5/59.2 |
| DS80 | 5040002940 | S.LED TLYU1002A(T02) | T | 78.5/49.1 |
| DS82 | 5040002940 | S.LED TLYU1002A(T02) | T | 87/59.2 |
| DS83 | 5040002940 | S.LED TLYU1002A(T02) | T | 87/49.1 |
| DS85 | 5040002940 | S.LED TLYU1002A(T02) | T | 95.5/59.2 |
| DS86 | 5040002940 | S.LED TLYU1002A(T02) | T | 95.5/49.1 |
| DS88 | 5040002940 | S.LED TLYU1002A(T02) | T | 104/59.2 |
| DS89 | 5040002940 | S.LED TLYU1002A(T02) | T | 104/49.1 |
| EP2 | 8930076650 | LCD SRCN-3015-SP-N-W (SHJ) | | |
| EP4 | 6910012350 | S.BEA MMZ1608Y 102BT | B | 63.8/14.9 |
| EP5 | 6910012350 | S.BEA MMZ1608Y 102BT | T | 12.5/24.8 |
| EP6 | 6910012350 | S.BEA MMZ1608Y 102BT | B | 21.6/21.3 |
| EP45 | 6910012350 | S.BEA MMZ1608Y 102BT | B | 57.3/10.2 |
| EP46 | 6910012350 | S.BEA MMZ1608Y 102BT | B | 57.3/8.2 |
| EP47 | 6910018930 | S.BEA MPZ2012S601A | T | 41.9/23.2 |
| EP48 | 6910018930 | S.BEA MPZ2012S601A | T | 41.9/21.5 |
| EP49 | 6910018930 | S.BEA MPZ2012S601A | B | 41/21.1 |
| EP50 | 6910018930 | S.BEA MPZ2012S601A | B | 45.5/21 |
| EP51 | 6910018930 | S.BEA MPZ2012S601A | B | 65.4/7.4 |
| EP52 | 6910018930 | S.BEA MPZ2012S601A | B | 65.4/11.1 |
| EP53 | 6910018930 | S.BEA MPZ2012S601A | B | 8.8/25.3 |
| EP54 | 6910018930 | S.BEA MPZ2012S601A | B | 66.3/4.9 |
| EP55 | 6910018930 | S.BEA MPZ2012S601A | B | 43/21 |

[VR-A UNIT]

| REF NO. | PARTS NO. | DESCRIPTION | M. | H/V LOCATION |
|---------|------------|---------------------------------|----|--------------|
| R1 | 7210002910 | VAR RV-310(RK0972210 10KB/10KB) | | |
| R2 | 7210002960 | VAR RV-313(RK0972210 10KB/10KB) | | |
| J1 | 6510026670 | S.CON IMSA-6281S-06Y900 | T | 21.6/5.1 |

[VR-B UNIT]

| REF NO. | PARTS NO. | DESCRIPTION | M. | H/V LOCATION |
|---------|------------|------------------------------|----|--------------|
| J1 | 6510020711 | S.CON 52793-1070(1090) | T | 9.2/2.4 |
| S1 | 2250000640 | ENC TP96D96E20-22F-10KB-3015 | | |

[MIC UNIT]

| REF NO. | PARTS NO. | DESCRIPTION | M. | H/V LOCATION |
|---------|------------|--------------------|----|--------------|
| J1 | 6510000191 | CON FM214-8SS(P)-1 | | |
| J2 | 6510019971 | S.CON 52808-1071 | B | 18.1/6.5 |

[PHONE UNIT]

| REF NO. | PARTS NO. | DESCRIPTION | M. | H/V LOCATION |
|---------|------------|---------------------------|----|--------------|
| R1 | 7030006070 | S.RES ERJ12YJ101U (100) | T | 24.6/5 |
| R2 | 7030006070 | S.RES ERJ12YJ101U (100) | T | 24.6/10.1 |
| R3 | 7030003440 | S.RES ERJ3GEYJ 102 V (1K) | T | 23.1/12.6 |
| C1 | 4030006880 | S.CER C1608 JB 1H 472K-T | B | 27.7/9.6 |
| C2 | 4030006880 | S.CER C1608 JB 1H 472K-T | T | 23.1/2.5 |
| C3 | 4030006880 | S.CER C1608 JB 1H 472K-T | T | 23.1/13.9 |
| J1 | 6510023891 | CON S-G4617#01F 0 | | |
| J2 | 6510019971 | S.CON 52808-1071 | B | 26.6/4 |
| EP1 | 6910014690 | S.BEA MPZ1608S221A-T | B | 29.2/8.1 |

M.=Mounted side (T: Mounted on the Top side, B: Mounted on the Bottom side)
S.=Surface mount

SECTION 6

MECHANICAL PARTS

[CHASSIS] (C)

| REF NO. | ORDER NO. | DESCRIPTION | QTY. |
|---------|------------|-----------------------------|------------|
| J1* | 6510000370 | MR-DS | 1 |
| P1** | 5610000380 | TMP-K01X-A1 | 1 |
| P2** | 5610000380 | TMP-K01X-A1 | 1 |
| P3** | 5610000380 | TMP-K01X-A1 | 1 |
| P4** | 5610000380 | TMP-K01X-A1 | 1 |
| P5** | 5610000380 | TMP-K01X-A1 | 1 |
| P6** | 5610000380 | TMP-K01X-A1 | 1 |
| P7** | 5610000380 | TMP-K01X-A1 | 1 |
| P8** | 5610000380 | TMP-K01X-A1 | 1 |
| MF1 | 2710000810 | FD124010HB-1N7 | 1 |
| MF2 | 2710000810 | FD124010HB-1N7 | 1 |
| W1** | 8900014720 | OPC-909A | 1 |
| W5** | 8900017870 | OPC-1887 | 1 |
| W6** | 8900017870 | OPC-1887 | 1 |
| W7** | 8900017870 | OPC-1887 | 1 |
| W8** | 8900017870 | OPC-1887 | 1 |
| W9** | 8900017870 | OPC-1887 | 1 |
| W10** | 9025900290 | 62/99/150/C31/C31 | 1 |
| W11** | 9086700300 | Wire 8 | 1 |
| W12** | 9025900290 | 62/99/150/C31/C31 | 1 |
| W13** | 9086700300 | Wire 8 | 1 |
| W14** | 9025900290 | 62/99/150/C31/C31 | 1 |
| W15** | 9086700300 | Wire 8 | 1 |
| W16** | 9025900290 | 62/99/150/C31/C31 | 1 |
| W17** | 9086700300 | Wire 8 | 1 |
| MP1 | 8010021070 | 3015 CHASSIS | 1 |
| MP2 | 8110009510 | 3015 L-COVER | 1 |
| MP3 | 8110009500 | 3015 U-COVER | 1 |
| MP4 | 8930075130 | 3015 L-PACKING | 1 |
| MP5 | 8930075140 | 3015 U-PACKING | 1 |
| MP6 | 8930075590 | 3015 ANT PLATE | 1 |
| MP7 | 8510018690 | 3015 MAIN COVER | 1 |
| MP8 | 8510018700 | 3015 PA COVER | 1 |
| MP9 | 8930042690 | RUBBER REG (L) | 2 |
| MP10 | 8930075100 | 3015 STAND HOLDER | 2 |
| MP11 | 8930074520 | 3015 STAND | 1 |
| MP12 | 8810008661 | SCREW BT B0 3X8 NI-ZC3 (BT) | 5 |
| MP13 | 8810008661 | SCREW BT B0 3X8 NI-ZC3 (BT) | 5 |
| MP14 | 8810008661 | SCREW BT B0 3X8 NI-ZC3 (BT) | 5 |
| MP15 | 8810008661 | SCREW BT B0 3X8 NI-ZC3 (BT) | 8 |
| MP16 | 8810008661 | SCREW BT B0 3X8 NI-ZC3 (BT) | 2 |
| MP17 | 8810010491 | SCREW PH M3X15 ZK3 | 7 |
| MP18 | 8810010491 | SCREW PH M3X15 ZK3 | 7 |
| MP19 | 8810004431 | SCREW PH M3X6 ZK3 | 4 |
| MP20 | 8810004431 | SCREW PH M3X6 ZK3 | 4 |
| MP21 | 8810003171 | SETSCREW (A) 3X8 ZC3 | 6 |
| MP24 | 8810009991 | SCREW BT B0 3X8 NI-ZK3 (BT) | 2 |
| MP25 | 8930076070 | 3015 BUSH | 1 |
| MP26 | 8930076080 | 3015 A-NET | 1 |
| MP27 | 8930076090 | 3015 FAN HOLDER | 1 |
| MP28 | 8810008661 | SCREW BT B0 3X8 NI-ZC3 (BT) | 4 |
| MP29 | 8810004301 | SCREW PH M3X10 ZK3 | 4 |
| MP30 | 8810009371 | SCREW BT B0 3X12NI-ZK3 (BT) | 1 |
| MP31 | 8820000530 | FLANGE BOLT M4X8 NI | 1 |
| MP32 | 8850000140 | FLAT WASHER M4 BS NI | 2 |
| MP33 | 8850000430 | S-WASHER M4 NI | 1 |
| MP34 | 8930075810 | SPONGE (KB) | 1 |
| MP35 | 8930075810 | SPONGE (KB) | 1 |
| MP36 | 8930047070 | SPONGE (FQ) | 1 |
| MP37 | 8930049770 | SPONGE (GF) | 1 |
| MP38 | 8930049770 | SPONGE (GF) | 1 |
| MP39 | 8930071840 | HIMELON SHEET (CT) | 1 |
| MP40 | 8930077150 | INSULATION SHEET (MJ) | 2 |
| MP42 | 8930077680 | 3015 PA EARTH SPRING | 1 |
| MP42 | 8930077680 | 3015 PA EARTH SPRING | [EUR] 1 |
| MP42 | 8930077680 | 3015 PA EARTH SPRING | [FRA] 1 |
| MP42 | 8930077680 | 3015 PA EARTH SPRING | [ITR] 1 |
| MP42 | 8930077680 | 3015 PA EARTH SPRING | [ESP] 1 |
| MP42 | 8930077680 | 3015 PA EARTH SPRING | [EUR-01] 1 |
| MP43 | 8930048971 | SHIELD TAPE (C)-1 | [EUR] 2 |
| MP43 | 8930048971 | SHIELD TAPE (C)-1 | [FRA] 2 |
| MP43 | 8930048971 | SHIELD TAPE (C)-1 | [ITR] 2 |
| MP43 | 8930048971 | SHIELD TAPE (C)-1 | [ESP] 2 |
| MP43 | 8930048971 | SHIELD TAPE (C)-1 | [EUR-01] 2 |
| MP121 | 8930068260 | THERMALLY SHEET (AV) | 1 |
| MP1091 | 8930049600 | 2240 IC CLIP | 1 |
| MP3242 | 8930078200 | 3015 IC CLIP | 1 |

[FRONT UNIT] (F)

| REF NO. | ORDER NO. | DESCRIPTION | QTY. |
|---------|------------|-----------------------------------|------------|
| SP1 | 2510001480 | 4050P0802 | 1 |
| W1** | 8900014720 | OPC-909A | 1 |
| W2** | 8900014740 | OPC-885A | 1 |
| W3** | 8900014740 | OPC-885A | 1 |
| W4** | 8900018190 | OPC-1892A | 1 |
| | 8900018200 | OPC-1941 | [USA] 1 |
| | 8900018200 | OPC-1941 | [EUR] 1 |
| | 8900018200 | OPC-1941 | [FRA] 1 |
| | 8900018200 | OPC-1941 | [ITR] 1 |
| | 8900018200 | OPC-1941 | [ESP] 1 |
| | 8900018200 | OPC-1941 | [EUR-01] 1 |
| | 8900018190 | OPC-1892A | [KOR] 1 |
| | 8900018190 | OPC-1892A | [CHN] 1 |
| | 8900018190 | OPC-1892A | [EXP] 1 |
| EP1 | 0880001360 | EX-2500 [USA] | 1 |
| EP3 | 6450001230 | HLJ0999-01-480 (SNAP PLATE) | 1 |
| MP1 | 8210024670 | 3015 FRONT PANEL | 1 |
| MP2 | 8310071540 | 3015 WINDOW PLATE | 1 |
| MP3 | 8830003210 | 3015 HEX NUT | 2 |
| MP4 | 8610013750 | KNOB N-366 COVER (Incl. MP30, 31) | 1 |
| MP5 | 8610013671 | KNOB N-375-1 | 1 |
| MP6 | 8610013610 | KNOB N-367 (Incl. MP29) | 1 |
| MP7 | 8610013621 | KNOB N-368-1 | 1 |
| MP8 | 8610013630 | KNOB N-369 (Incl. MP29) | 1 |
| MP9 | 8610013640 | KNOB N-370 (Incl. MP23) | 1 |
| MP10 | 8610013651 | KNOB N-371-1 | 1 |
| MP11 | 8930075120 | 3015 FRONT PACKING | 1 |
| MP12 | 8930074990 | 3015 17-KEY | 1 |
| MP13 | 8930075000 | 3015 6-KEY | 1 |
| MP14 | 8930074530 | 3015 JACK HOLDER | 1 |
| MP15 | 8930076520 | 3015 A-VR RUBBER | 1 |
| MP16 | 8820001490 | 3015 CAP SCREW | 8 |
| MP17 | 8930076510 | 3015 VR RUBBER | 1 |
| MP18 | 8930074540 | O-RING (BU) | 1 |
| MP19 | 8930074350 | O-RING (BW) | 8 |
| MP20 | 8930075160 | 3015 LENS | 1 |
| MP21 | 8010021020 | 3015 SUB CHASSIS | 1 |
| MP23 | 8610007510 | KNOB SPRING NO.7800 | 1 |
| MP24 | 8930069760 | 2914 SP NET | 1 |
| MP26 | 8930075150 | 3015 CONNECTOR SEAL | 1 |
| MP27 | 8810008661 | SCREW BT B0 3X8 NI-ZC3 (BT) | 6 |
| MP28 | 8810008661 | SCREW BT B0 3X8 NI-ZC3 (BT) | 6 |
| MP29 | 8610007420 | KNOB SPRING NO.6601 | 2 |
| MP30 | 8610010040 | KNOB-N-239 FINGER REST | 1 |
| MP31 | 8930060190 | 2591 N-SPRING | 1 |
| MP32 | 8610010024 | KNOB-N-239 BASE-4 | 1 |
| MP33 | 8930021220 | SPONGE (CP) | 1 |
| MP34 | 8930071830 | HIMELON SHEET (CS) | 1 |
| MP35 | 8930070300 | SPONGE (JD) | 1 |
| MP36 | 8930021220 | SPONGE (CP) | 1 |
| MP37 | 8930067980 | SHIELD SPONGE (AS) | [EUR] 1 |
| | 8930067980 | SHIELD SPONGE (AS) | [FRA] 1 |
| | 8930067980 | SHIELD SPONGE (AS) | [ITR] 1 |
| | 8930067980 | SHIELD SPONGE (AS) | [ESP] 1 |
| | 8930067980 | SHIELD SPONGE (AS) | [EUR-01] 1 |
| MP38 | 8930078390 | THERMALLY SHEET (BQ) | 1 |
| MP39 | 8930072650 | RUBBER SHEET (BX) | 1 |

*: Refer to "BOARD LAYOUTS" for the location.

** : Refer to "GENERAL WIRING" for the location.

[MIC BOARD] (MC)

| REF NO. | ORDER NO. | DESCRIPTION | QTY. |
|---------|------------|-----------------|------|
| J1 | 6510000191 | FM214-8SS (P)-1 | 1 |
| J2* | 6510019971 | 52808-1071 | 1 |

[PHONE] (PH)

| REF NO. | ORDER NO. | DESCRIPTION | QTY. |
|---------|------------|-------------|------|
| J1 | 6510023891 | S-G4617#01F | 1 |
| J2* | 6510019971 | 52808-1071 | 1 |

[VR-A BOARD] (VA)

| REF NO. | ORDER NO. | DESCRIPTION | QTY. |
|---------|------------|--------------------------------|------|
| R1 | 7210002910 | RV-310 (RK0972210 10KB/10KB) | 1 |
| R2 | 7210002960 | RV-313 (RK0972210 10KB/10KB) * | 1 |
| J1* | 6510026670 | IMSA-6281S-06A-G | 1 |

[VR-B BOARD] (VB)

| REF NO. | ORDER NO. | DESCRIPTION | QTY. |
|---------|------------|--------------------------|------|
| J1* | 6510020711 | 52793-1070 | 1 |
| S1 | 2250000640 | TP96D96E20-22F-B103-3015 | 1 |

[LOGIC UNIT] (L)

| REF NO. | ORDER NO. | DESCRIPTION | QTY. |
|---------|------------|-------------------------|------|
| J1* | 6510018971 | B4B-PH-SM4-TB (LF) (SN) | 1 |
| J3* | 6510019971 | 52808-1071 | 1 |
| J4* | 6510019971 | 52808-1071 | 1 |
| J5* | 6510019971 | 52808-1071 | 1 |
| J101* | 6510024151 | 50FY-BMT-TB (LF) (SN) | 1 |
| J102* | 6510024151 | 50FY-BMT-TB (LF) (SN) | 1 |
| J301* | 6510019971 | 52808-1071 | 1 |
| DS1 | 5030003090 | S11325 | 1 |
| EP2 | 8930076650 | SRCN-3015-SP-N-W | 2 |
| MP1 | 8210024710 | 3015 REFLECTOR | 1 |
| MP2 | 8930074390 | 3015 LCD HOLDER | 1 |
| MP3 | 8930075470 | 3015 LCD FILTER | 1 |

[MAIN UNIT] (M)

| REF NO. | ORDER NO. | DESCRIPTION | QTY. |
|---------|------------|--------------------------|------------|
| J1* | 6510024151 | 50FY-BMT-TB (LF) (SN) | 1 |
| J2* | 6510024151 | 50FY-BMT-TB (LF) (SN) | 1 |
| J4* | 6510024151 | 50FY-BMT-TB (LF) (SN) | 1 |
| J5* | 6510024151 | 50FY-BMT-TB (LF) (SN) | 1 |
| J6* | 6510024151 | 50FY-BMT-TB (LF) (SN) | 1 |
| J7* | 6510007020 | TMP-J01X-V6 | 1 |
| J8* | 6450000140 | HSJ0807-01-010 | 1 |
| J9* | 6450000140 | HSJ0807-01-010 | 1 |
| J11* | 6510019971 | 52808-1071 | 1 |
| J1531* | 6510025840 | AXN316C038P | 1 |
| J3201* | 6510026540 | UBB-4R-D14T-4D (LF) (SN) | 1 |
| J3203* | 6510014961 | B2B-ZR-SM4-TF (LF) (SN) | 1 |
| EP504* | 6910002161 | CASE-BM7H-LF | 1 |
| EP541* | 6910002161 | CASE-BM7H-LF | 1 |
| EP551* | 6910002161 | CASE-BM7H-LF | 1 |
| EP2561* | 6910002161 | CASE-BM7H-LF | 1 |
| EP2566* | 6910002161 | CASE-BM7H-LF | 1 |
| MP1 | 8930077690 | 3015 MAIN EARTH SPRING | [USA] 1 |
| MP1 | 8930077690 | 3015 MAIN EARTH SPRING | [EUR] 1 |
| MP1 | 8930077690 | 3015 MAIN EARTH SPRING | [FRA] 1 |
| MP1 | 8930077690 | 3015 MAIN EARTH SPRING | [ITR] 1 |
| MP1 | 8930077690 | 3015 MAIN EARTH SPRING | [ESP] 1 |
| MP1 | 8930077690 | 3015 MAIN EARTH SPRING | [EUR-01] 1 |
| MP551 | 8930076610 | 3015 LS SPRING | 1 |
| MP581 | 8930057870 | 2429 EARTH SPRING | 1 |
| MP1521 | 8930070510 | THERMALLY SHEET (BF) | 1 |
| MP2501* | 8510015770 | 2590 DSP CASE | 1 |
| MP2541 | 8930070510 | THERMALLY SHEET (BF) | 1 |
| MP2801* | 8510015880 | 2590 S2LO CASE | 1 |
| MP3201 | 8930068000 | SHIELD SPONGE (AT) | [USA] 1 |
| MP3201 | 8930068000 | SHIELD SPONGE (AT) | [EUR] 1 |
| MP3201 | 8930068000 | SHIELD SPONGE (AT) | [FRA] 1 |
| MP3201 | 8930068000 | SHIELD SPONGE (AT) | [ITR] 1 |
| MP3201 | 8930068000 | SHIELD SPONGE (AT) | [ESP] 1 |
| MP3201 | 8930068000 | SHIELD SPONGE (AT) | [EUR-01] 1 |
| MP3202 | 8930078630 | FERRITE SHEET (AB) | 1 |

[RF UNIT] (RF)

| REF NO. | ORDER NO. | DESCRIPTION | QTY. |
|---------|------------|-----------------------|------|
| RL1 | 6330001721 | ATN207-K1 | 1 |
| RL501 | 6330001721 | ATN207-K1 | 1 |
| J5* | 6510024151 | 50FY-BMT-TB (LF) (SN) | 1 |
| J6* | 6510024151 | 50FY-BMT-TB (LF) (SN) | 1 |
| J7 | 6510007020 | TMP-J01X-V6 | 1 |
| J8 | 6510007020 | TMP-J01X-V6 | 1 |
| J10 | 6510007020 | TMP-J01X-V6 | 1 |
| J501 | 6450001641 | TCS5044-0141177 | 1 |
| J502 | 6450001130 | JPJ2042-01-110 | 1 |
| J503 | 6510023900 | LGR4619-7000 | 1 |
| MP1 | 8930075430 | 3015 ANT SPRING | 1 |

[PA UNIT] (PA)

| REF NO. | ORDER NO. | DESCRIPTION | QTY. |
|---------|------------|-------------------------|------------|
| RL1 | 6330001600 | ALD112 | 1 |
| J4* | 6510024151 | 50FY-BMT-TB (LF) (SN) | 1 |
| J8 | 6510007020 | TMP-J01X-V6 | 1 |
| J9 | 6510007020 | TMP-J01X-V6 | 1 |
| J12 | 6510001920 | 1490R | 1 |
| J13 | 6510009890 | PD054-04M | 1 |
| J131* | 6510014961 | B2B-ZR-SM4-TF (LF) (SN) | 1 |
| J132* | 6510014961 | B2B-ZR-SM4-TF (LF) (SN) | 1 |
| F1 | 5220000400 | FHA010-01F | 1 |
| F2 | 5210000940 | 1205 | 1 |
| WS1 | 8600036641 | SX2242 J12 13PA-1 | 1 |
| W40 | 8900018210 | OPC-1942 | [USA] 1 |
| | 8900018220 | OPC-1943 | [EUR] 1 |
| | 8900018220 | OPC-1943 | [FRA] 1 |
| | 8900018220 | OPC-1943 | [ITR] 1 |
| | 8900018220 | OPC-1943 | [ESP] 1 |
| | 8900018220 | OPC-1943 | [EUR-01] 1 |
| | 8900017860 | OPC-1857 | [KOR] 1 |
| | 8900017860 | OPC-1857 | [CHN] 1 |
| | 8900017860 | OPC-1857 | [EXP] 1 |
| MP4 | 8930075440 | 3015 RUG SPRING | 1 |
| MP5 | 8930075440 | 3015 RUG SPRING | 1 |
| MP39 | 8930073470 | THERMALLY SHEET (BK) | 1 |

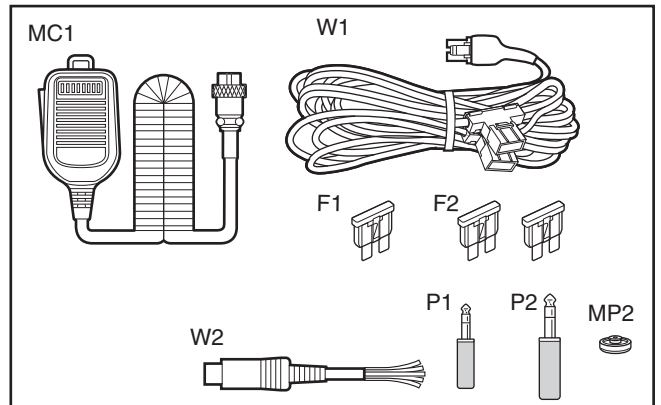
[ACCESSORIES]

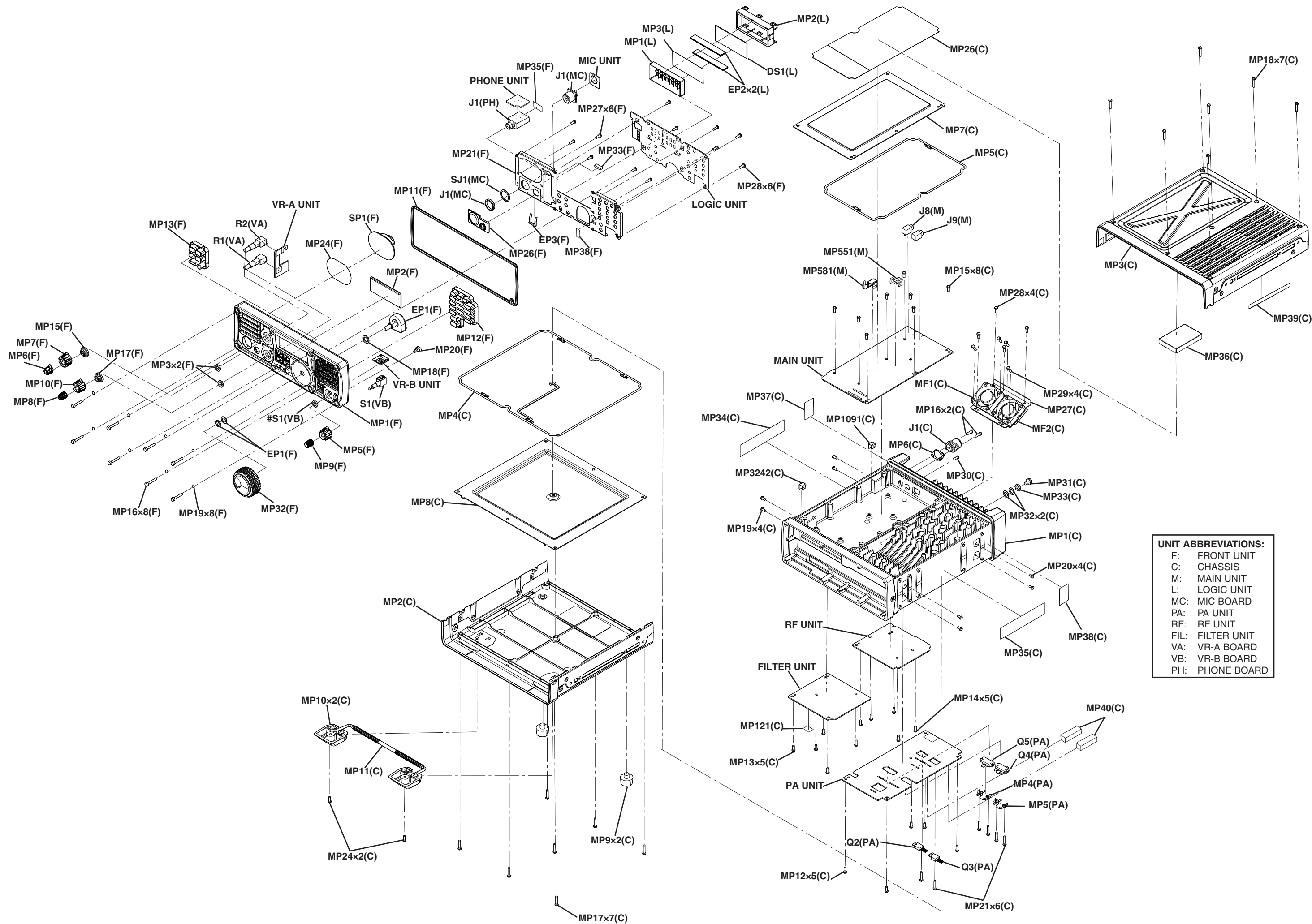
| REF NO. | ORDER NO. | DESCRIPTION | QTY. |
|---------|------------|---------------|------|
| P1 | 5610000410 | AP-319 | 1 |
| P2 | 5610000420 | AP-338 | 1 |
| MC1† | - | HM-36-1 | 1 |
| F1 | 5210000840 | ATC 30 | 2 |
| F2 | 5210000940 | 1205 | 1 |
| W1 | 8900013980 | OPC-1457 | 1 |
| W2 | 8900006110 | OPC-596 | 1 |
| MP2 | 8930076480 | 3015 JACK CAP | 1 |

*: Refer to "BOARD LAYOUTS" for the location.

** : Refer to "GENERAL WIRING" for the location.

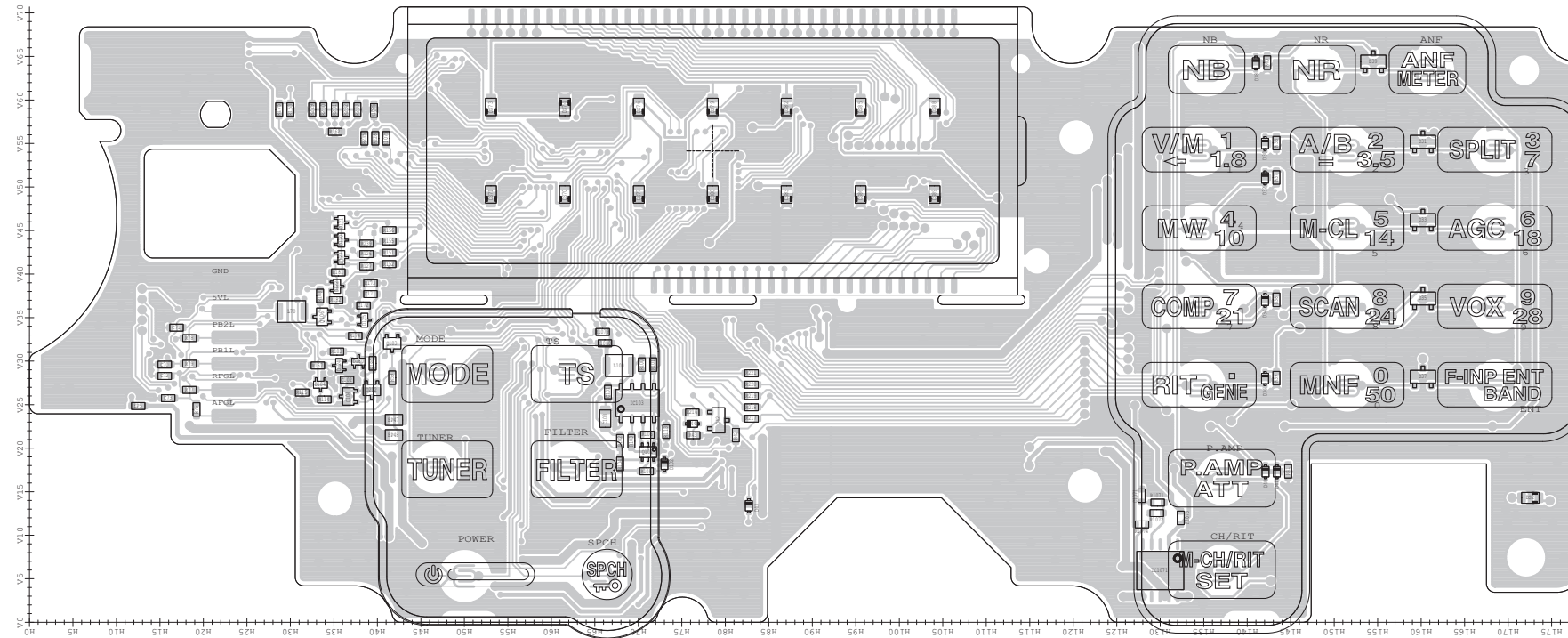
†: Optional product.



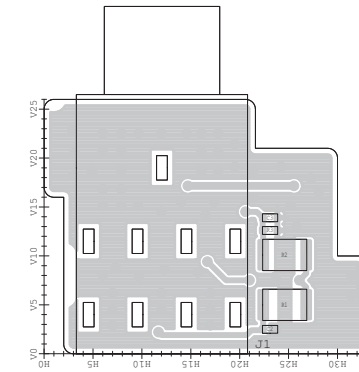


The combination of this side and the bottom side shows the board layout in the same configuration as the actual P.C.Board.

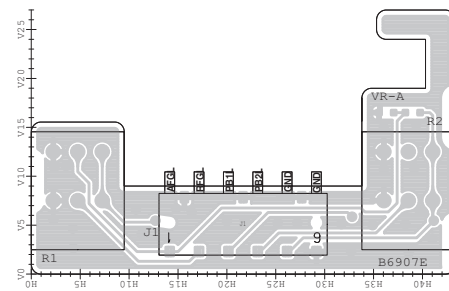
• LOGIC UNIT
(TOP VIEW)



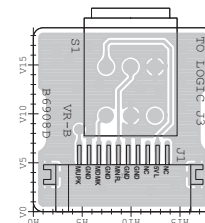
• PHONE UNIT
(TOP VIEW)



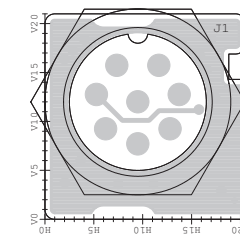
• VR-A UNIT
(TOP VIEW)



• VR-B UNIT
(TOP VIEW)

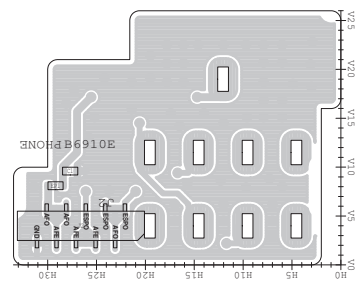


• MIC UNIT
(TOP VIEW)

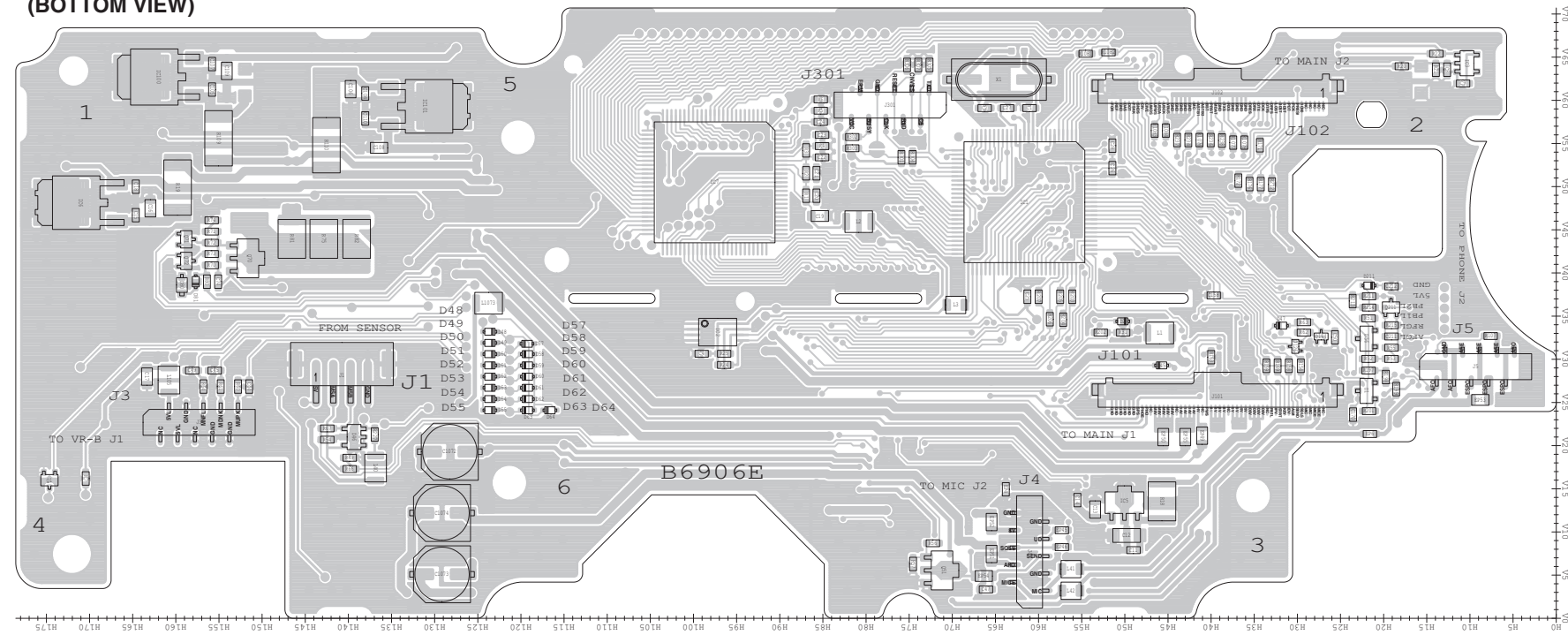


The combination of this side and the bottom side shows the board layout in the same configuration as the actual P.C.Board.

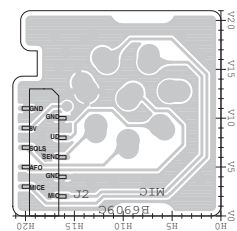
• PHONE UNIT
(BOTTOM VIEW)



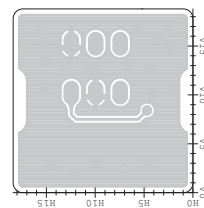
• LOGIC UNIT
(BOTTOM VIEW)



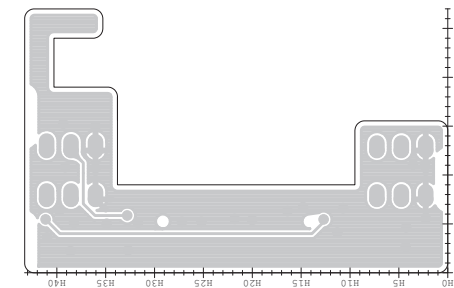
• MIC UNIT
(BOTTOM VIEW)



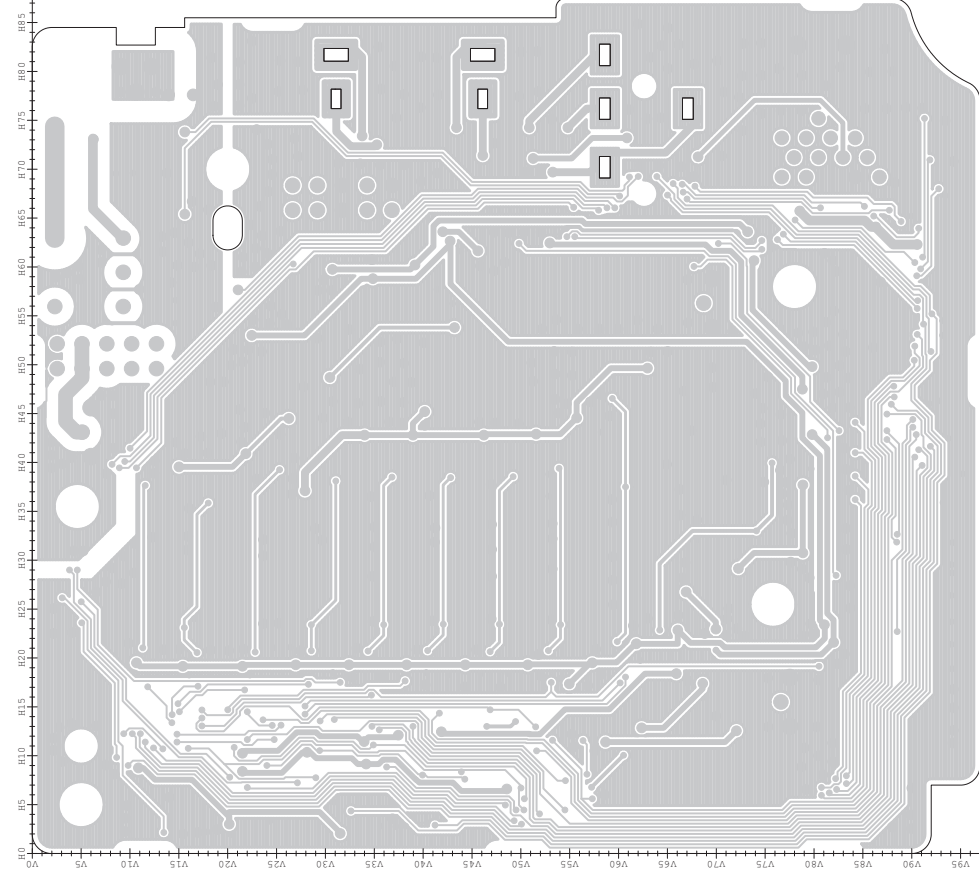
• VR-B UNIT
(BOTTOM VIEW)



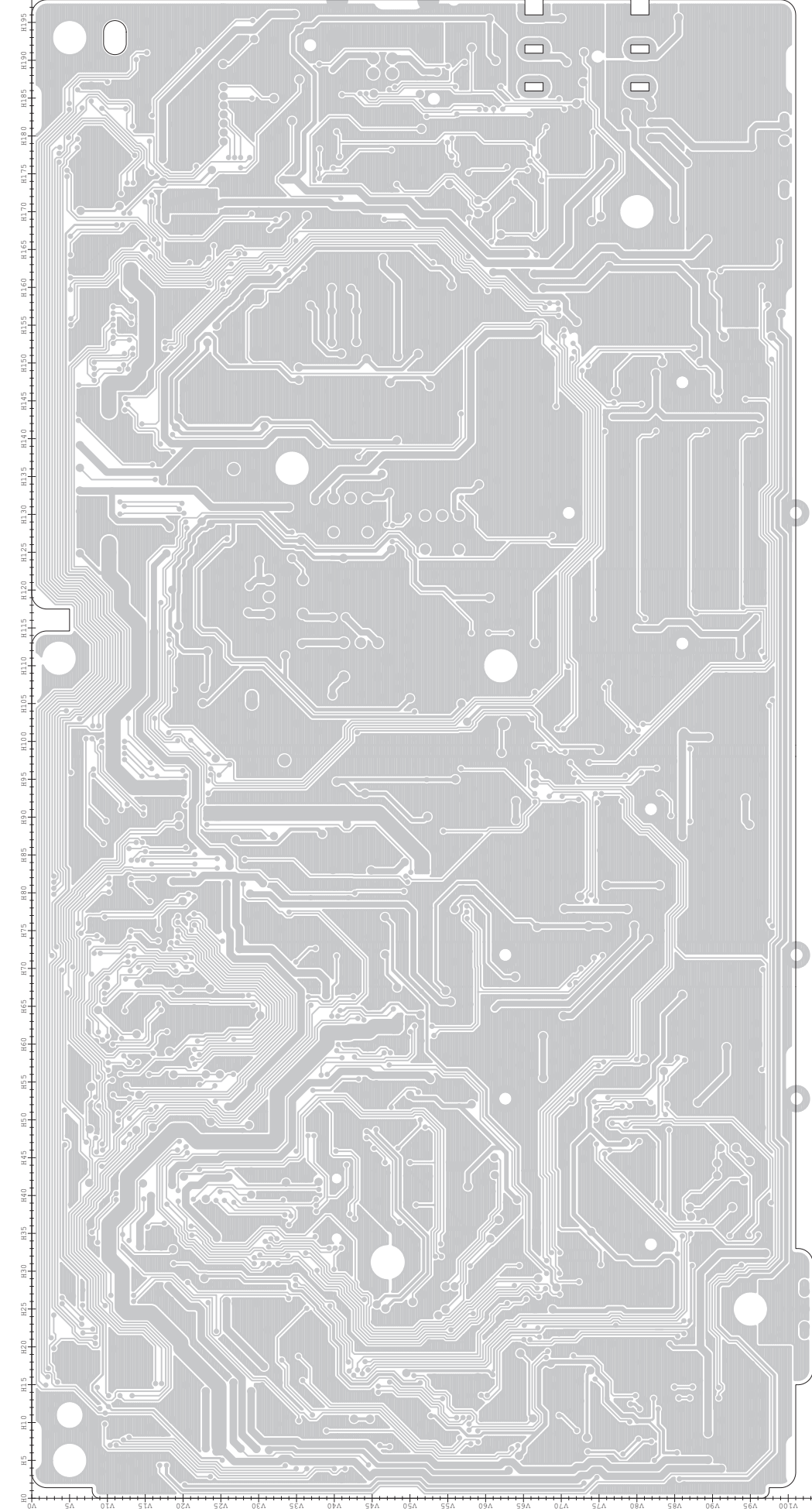
• VR-A UNIT
(BOTTOM VIEW)



• RF UNIT
(TOP VIEW)

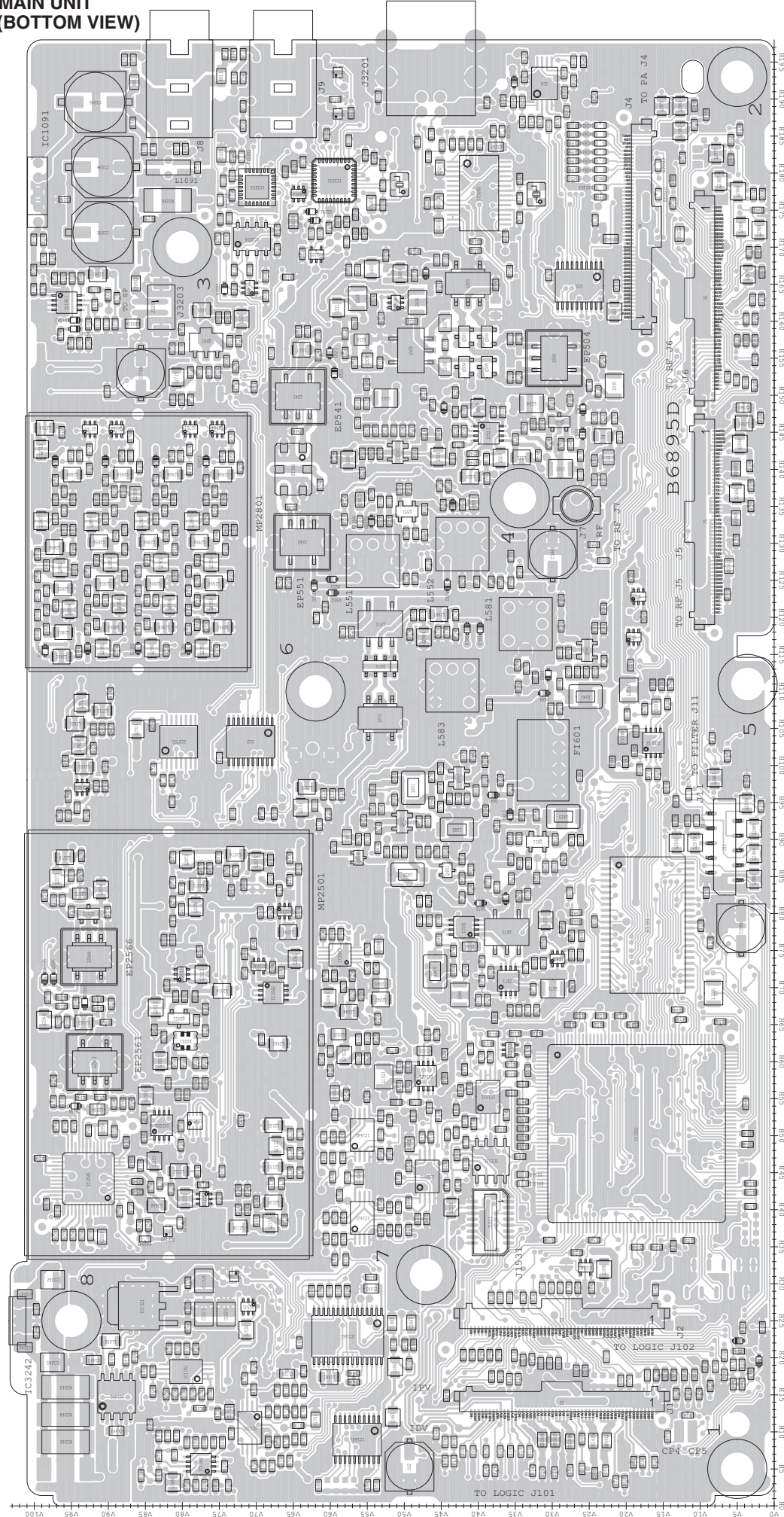


• MAIN UNIT
(TOP VIEW)



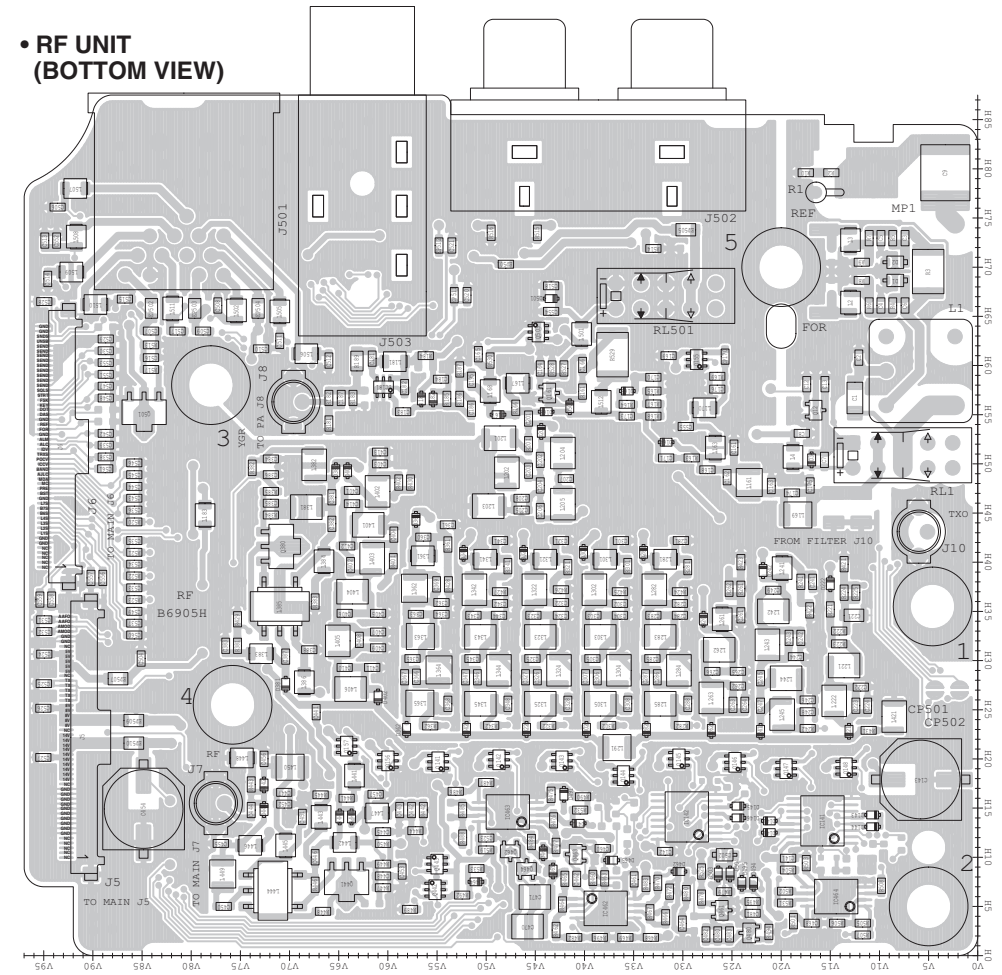
The combination of this side and the bottom side shows the board layout in the same configuration as the actual P.C.Board.

• MAIN UNIT
(BOTTOM VIEW)



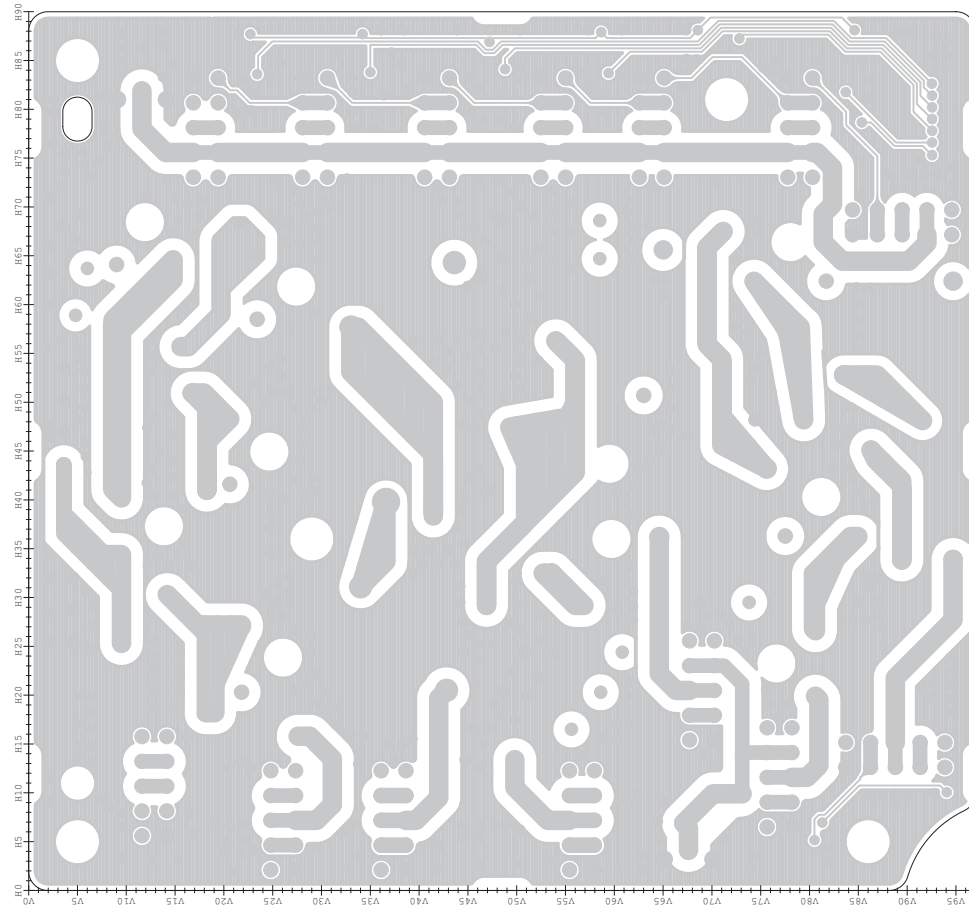
The combination of this side and the bottom side shows the board layout in the same configuration as the actual P.C.Board.

• RF UNIT
(BOTTOM VIEW)

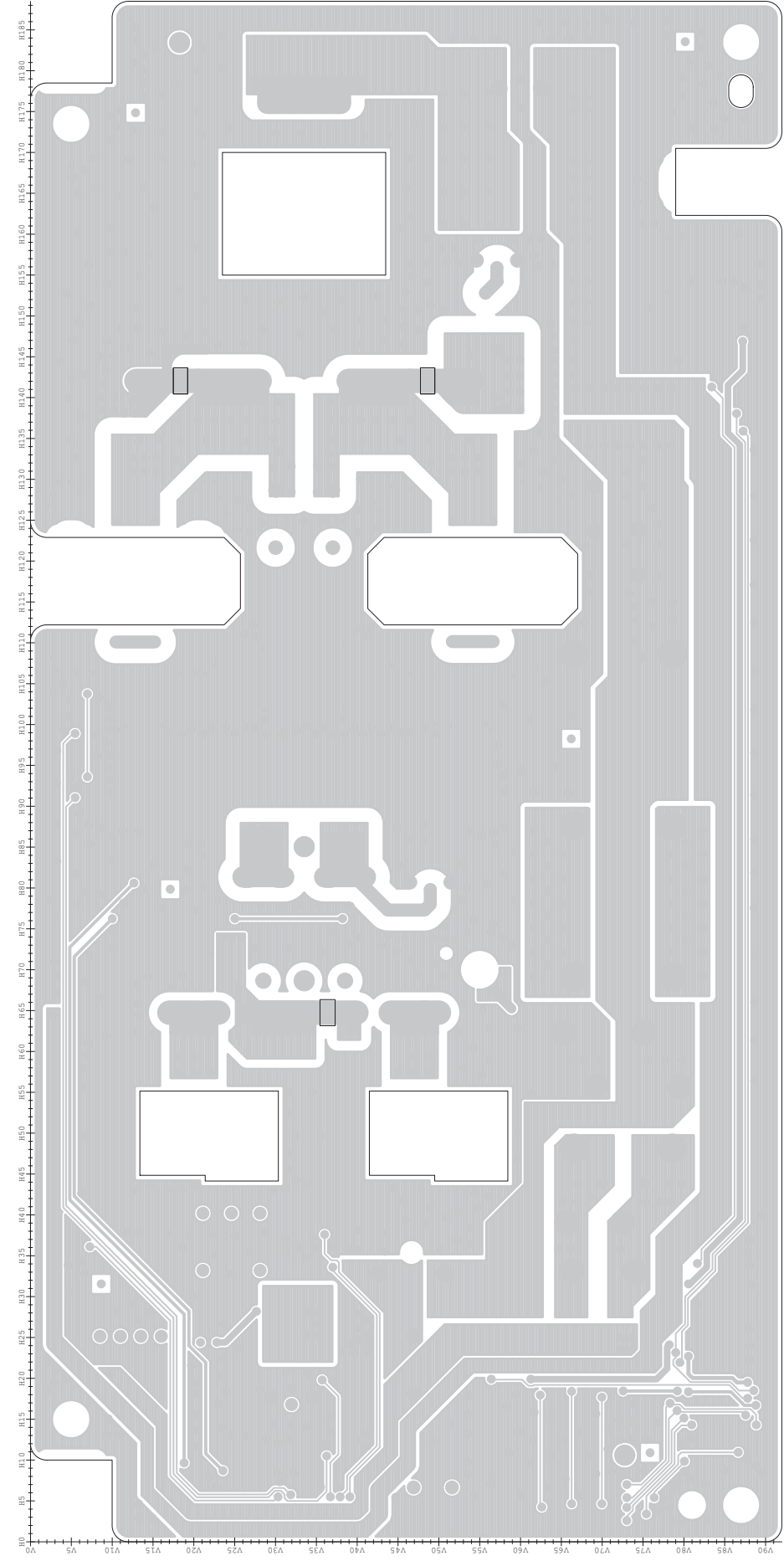


The combination of this side and the bottom side shows the board layout in the same configuration as the actual P.C.Board.

• FILTER UNIT
(TOP VIEW)

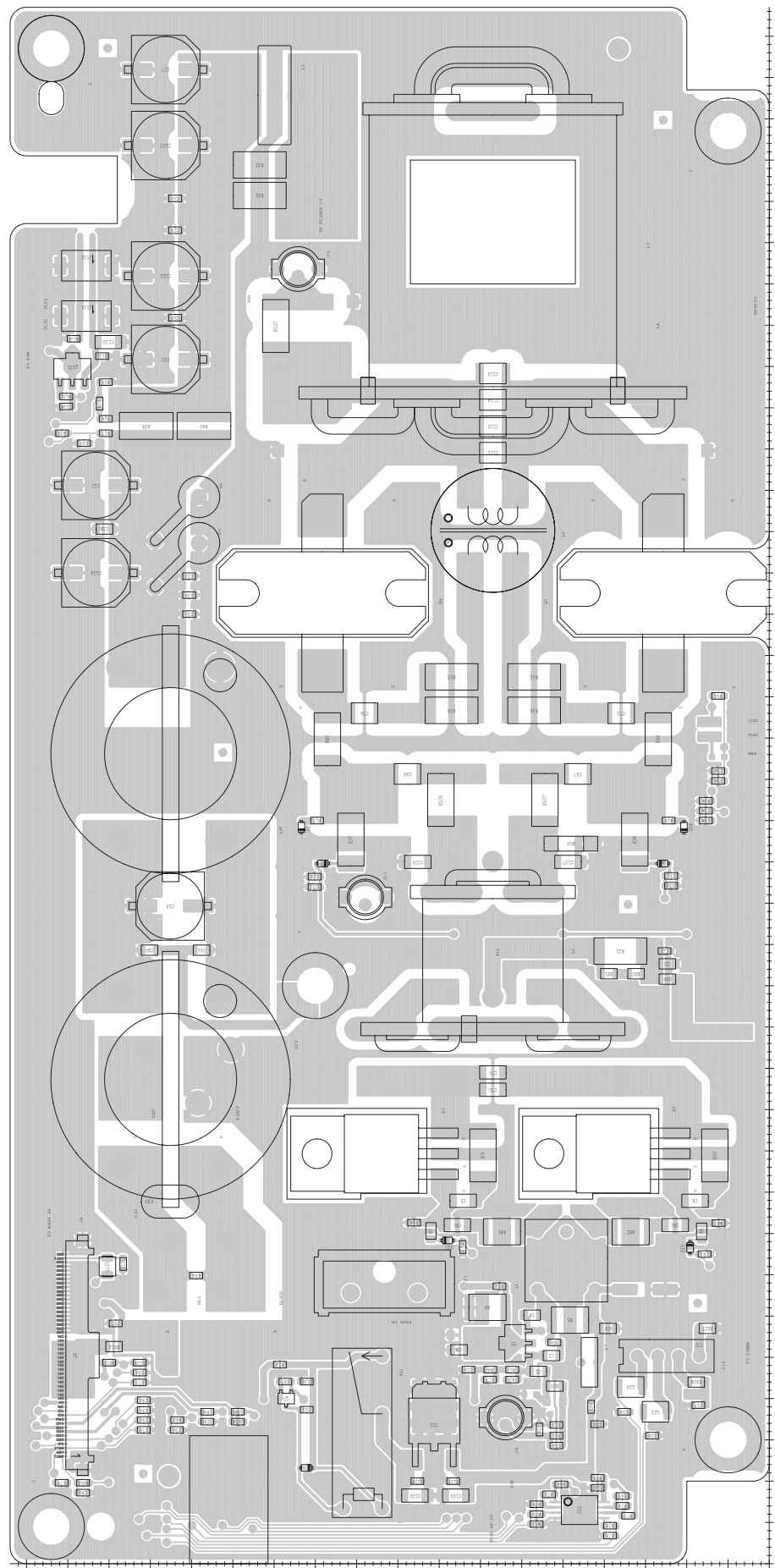


• PA UNIT
(TOP VIEW)

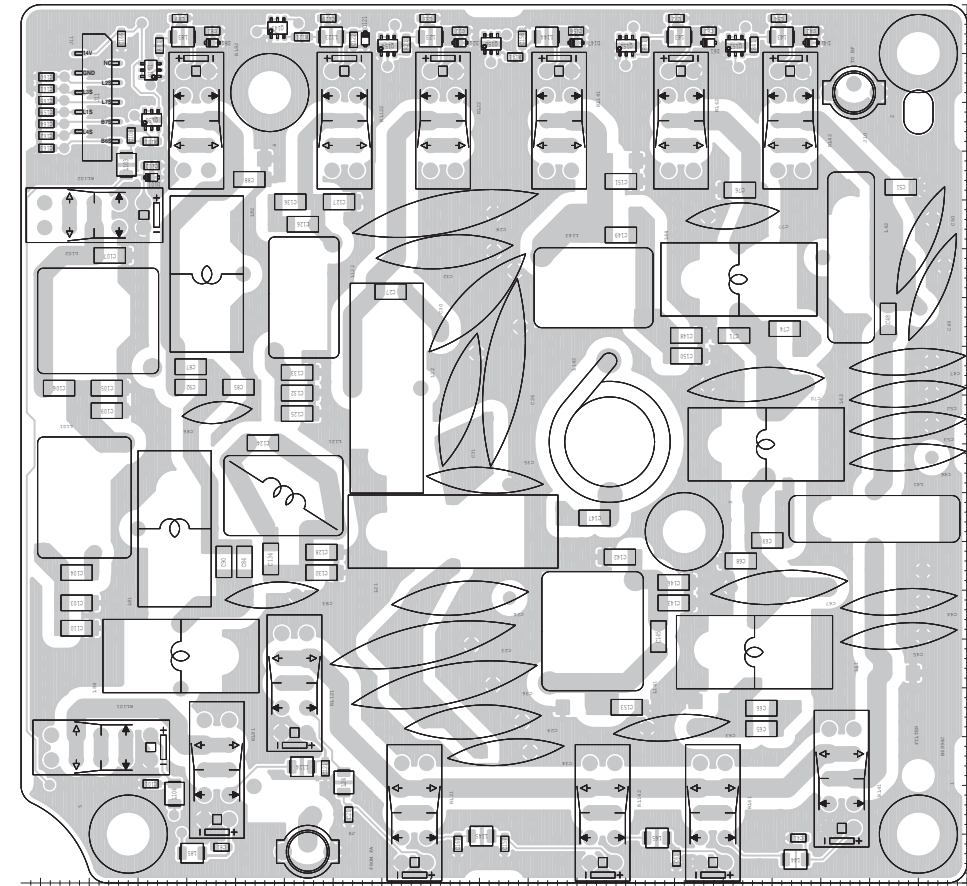


The combination of this side and the bottom side shows the board layout in the same configuration as the actual P.C.Board.

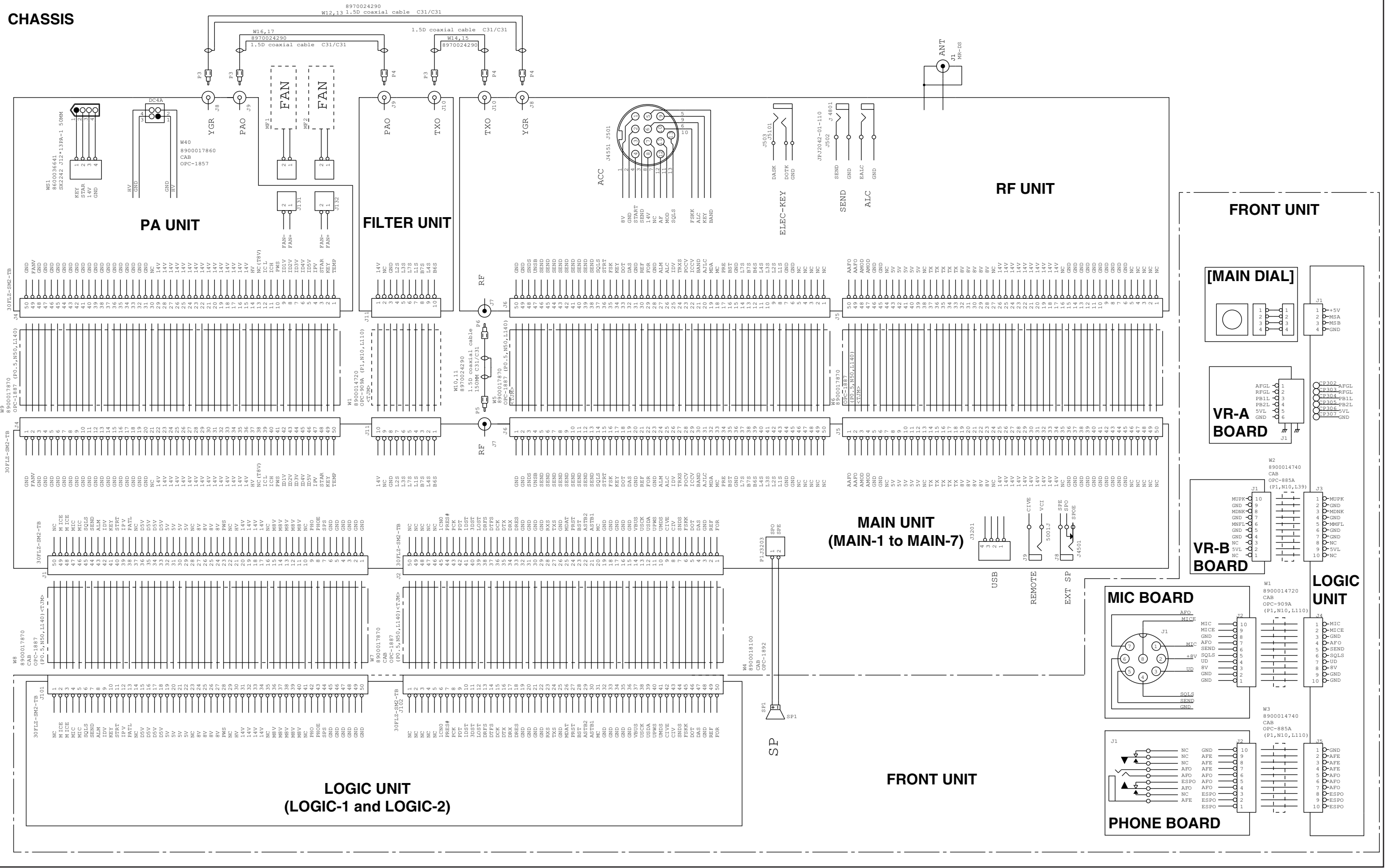
• PA UNIT
(BOTTOM VIEW)



• FILTER UNIT
(BOTTOM VIEW)

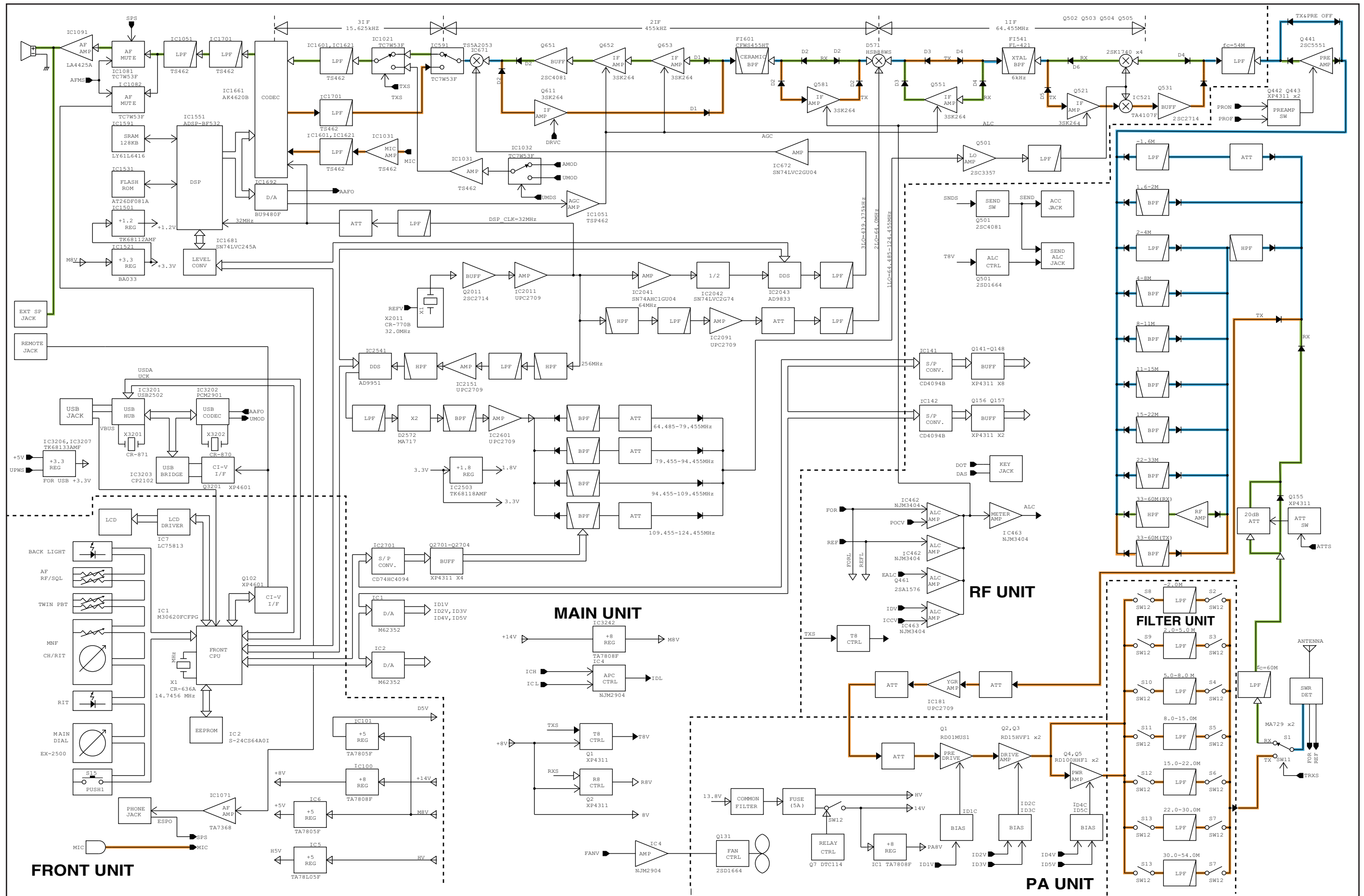


CHASSIS

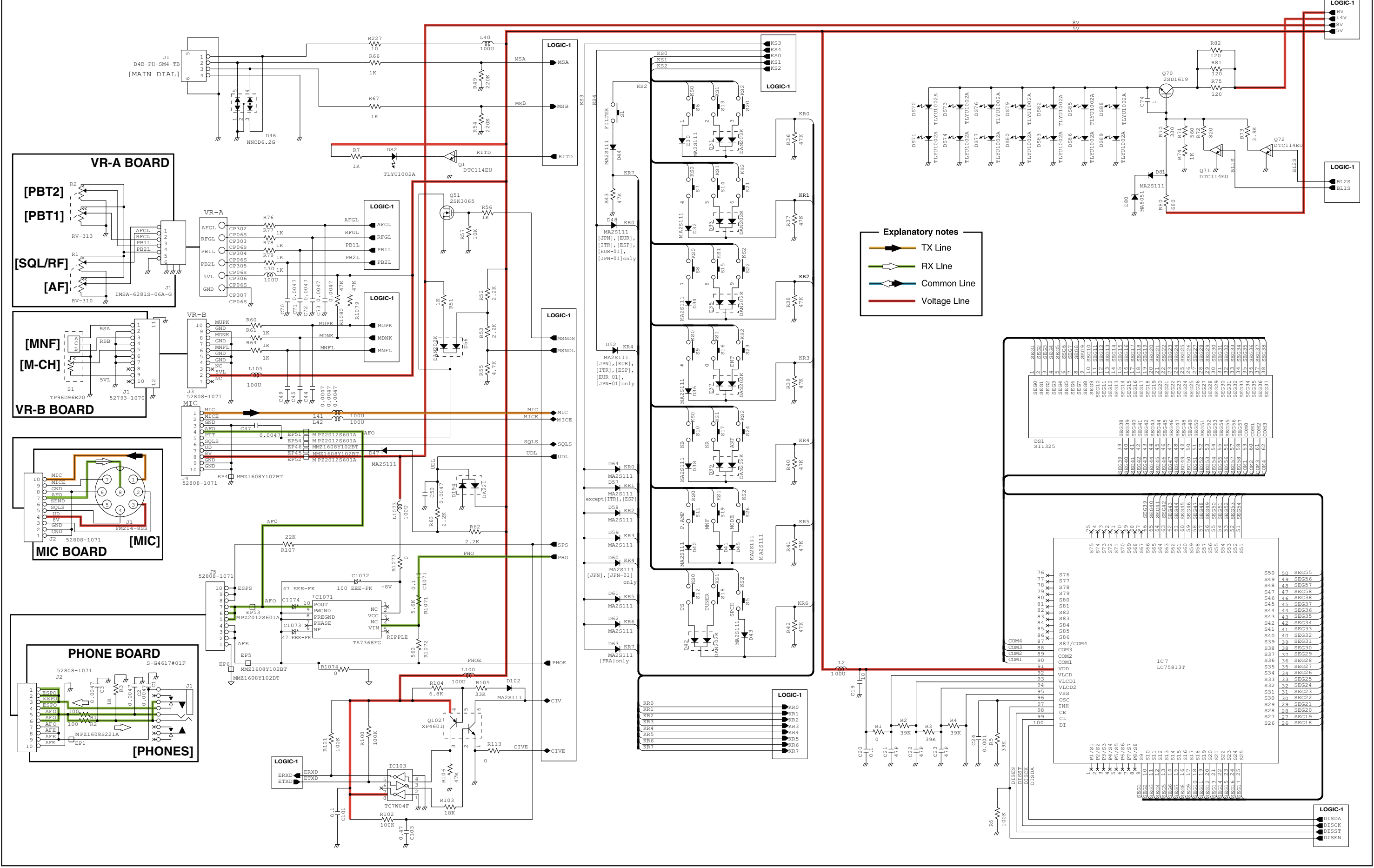


SECTION 9

BLOCK DIAGRAM

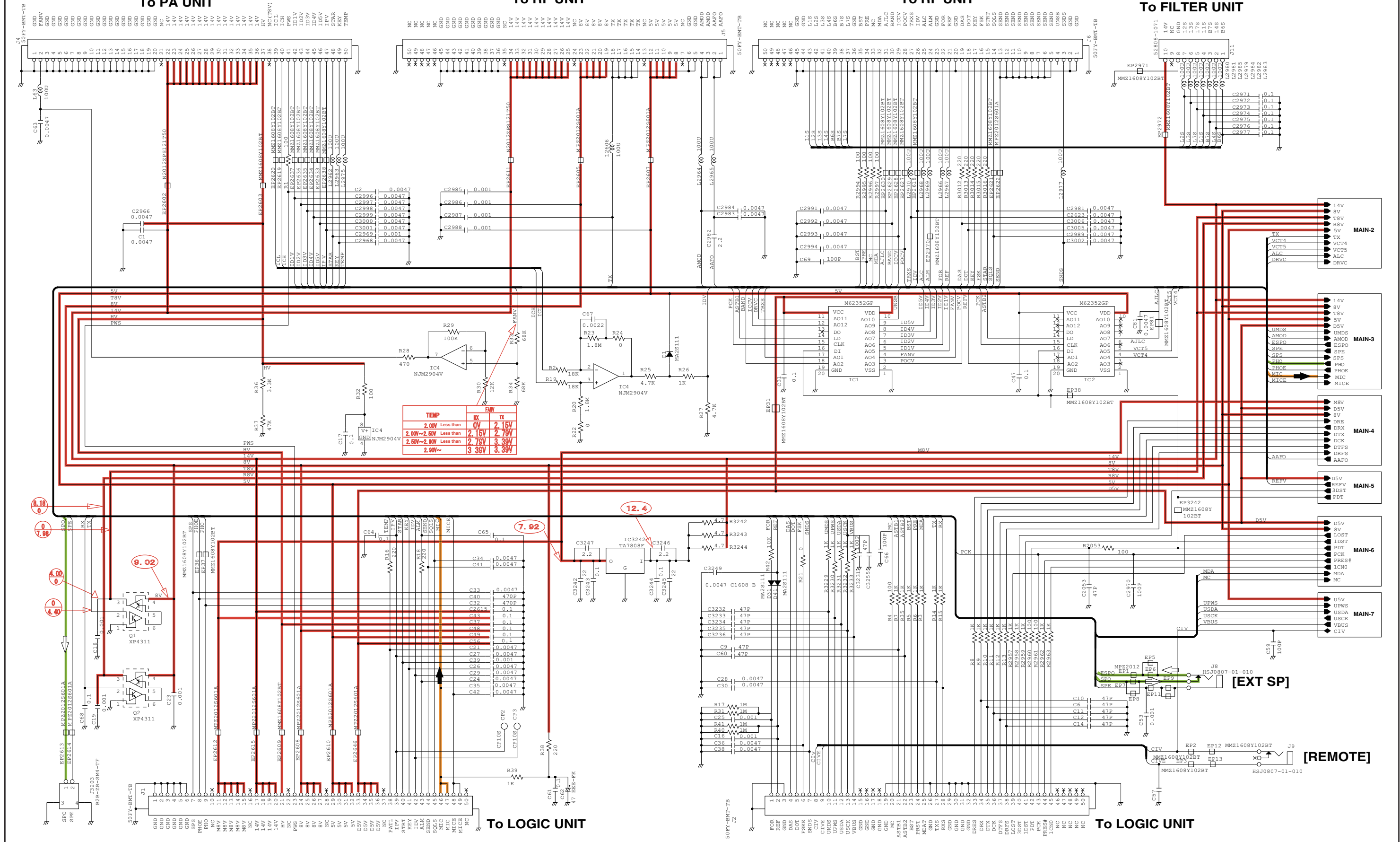


• LOGIC UNIT (LOGIC-2)



*; Refer to "PARTS LIST"

• MAIN UNIT (MAIN-1)



To PA UNIT

To RF UNIT

To RF UNIT

To FILTER UNIT

To LOGIC UNIT

To LOGIC UNIT

- 14V
- 8V
- TSV
- TSV
- 5V
- TSV
- TX
- VCT4
- VCT5
- ALC
- DRVC

- 14V
- 8V
- TSV
- 5V
- UMDS
- AMOD
- ESPO
- SPE
- SFS
- PHO
- PHO
- MIC
- MICE
- MICE

- MSV
- D5V
- 8V
- DRE
- AMOD
- DRX
- DXK
- DCK
- DTFS
- DRFS
- AAFO

- D5V
- REFV
- 30ST
- PDT

- D5V
- 8V
- LOST
- IDST
- DRX
- PCK
- PRES#
- ICNO
- MDA
- MC

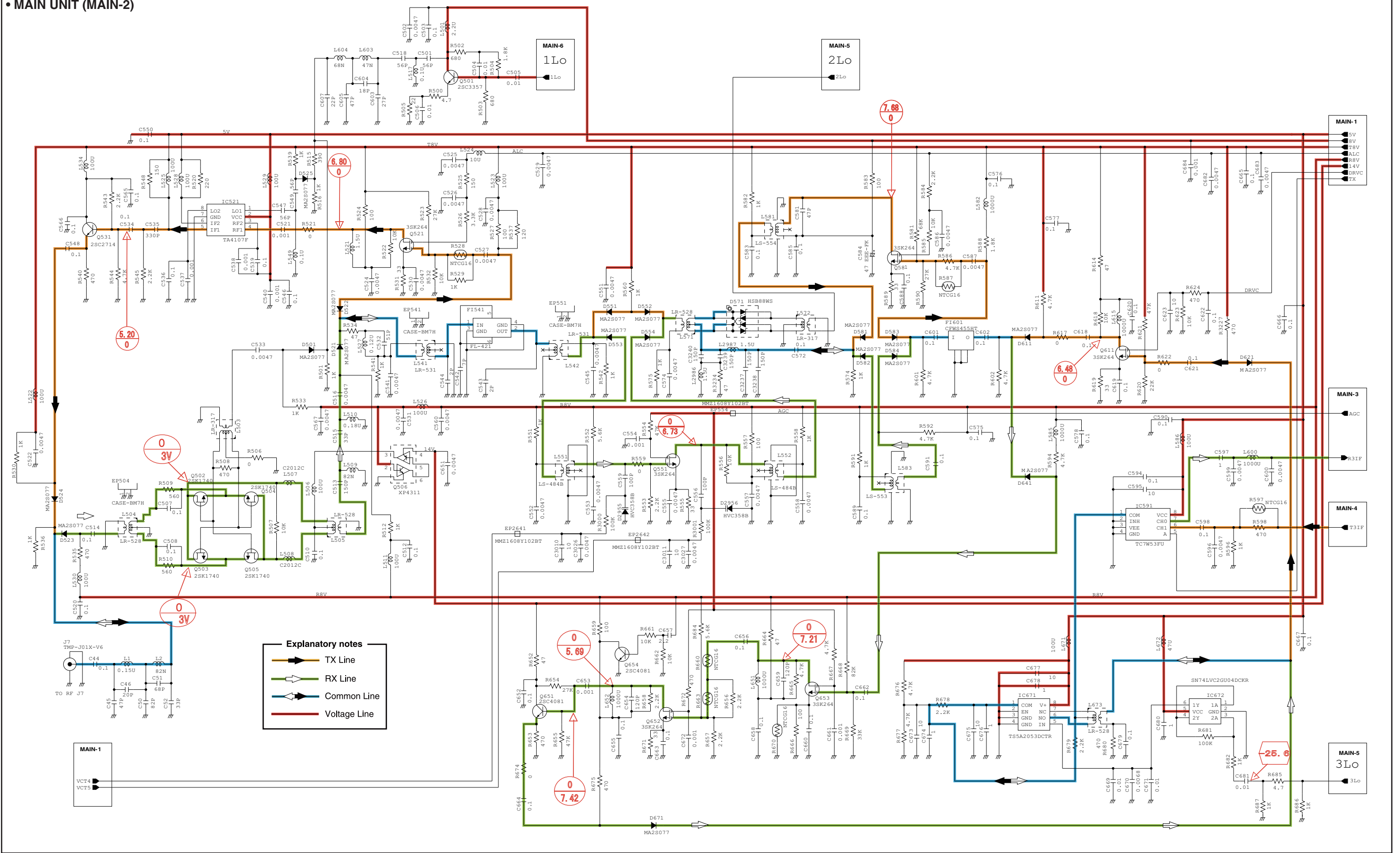
- USV
- UPWS
- USDA
- USCK
- VBUS
- CIV

[EXT SP]

[REMOTE]

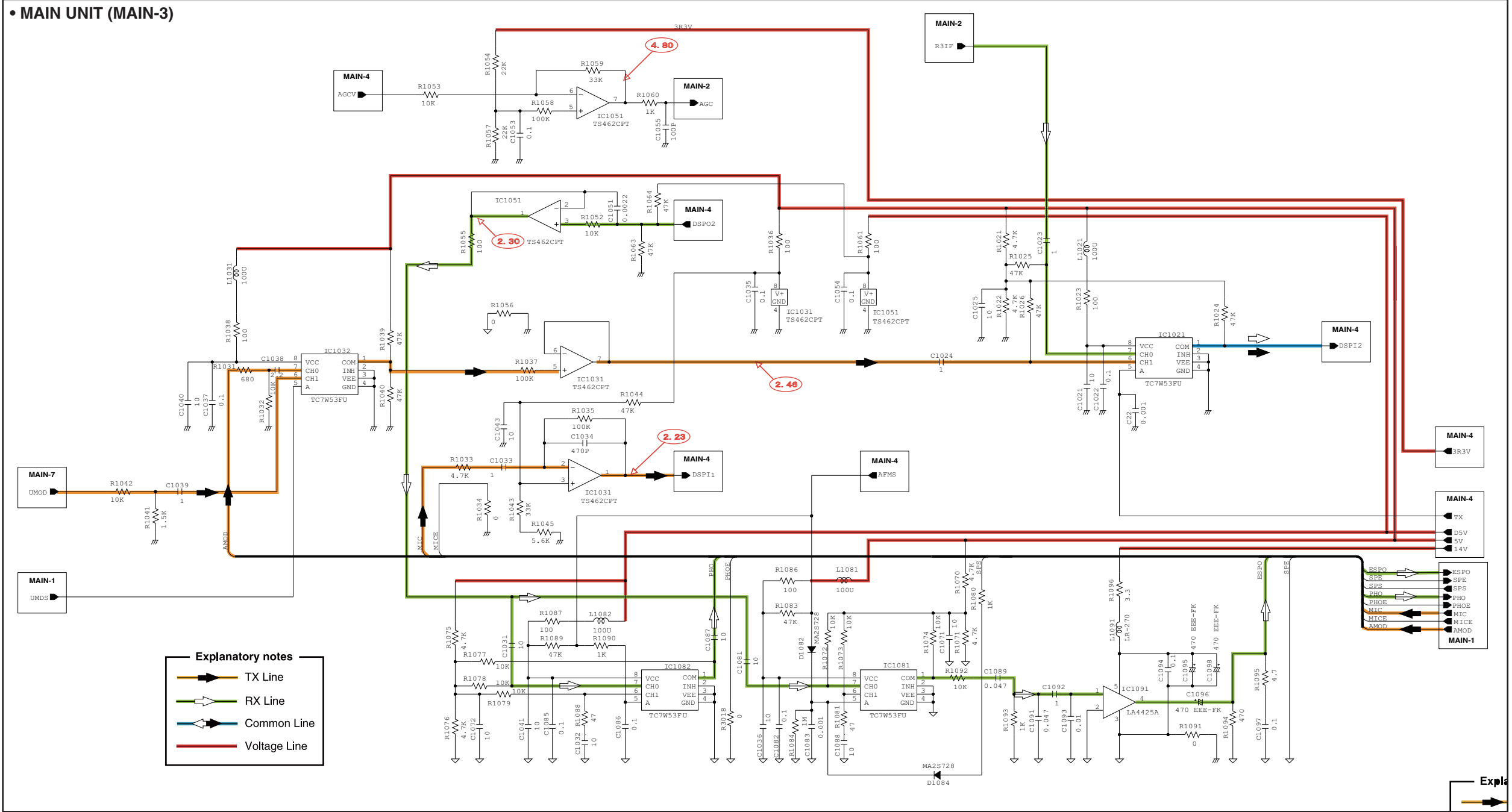
*; Refer to "PARTS LIST."

• MAIN UNIT (MAIN-2)



*; Refer to "PARTS LIST."

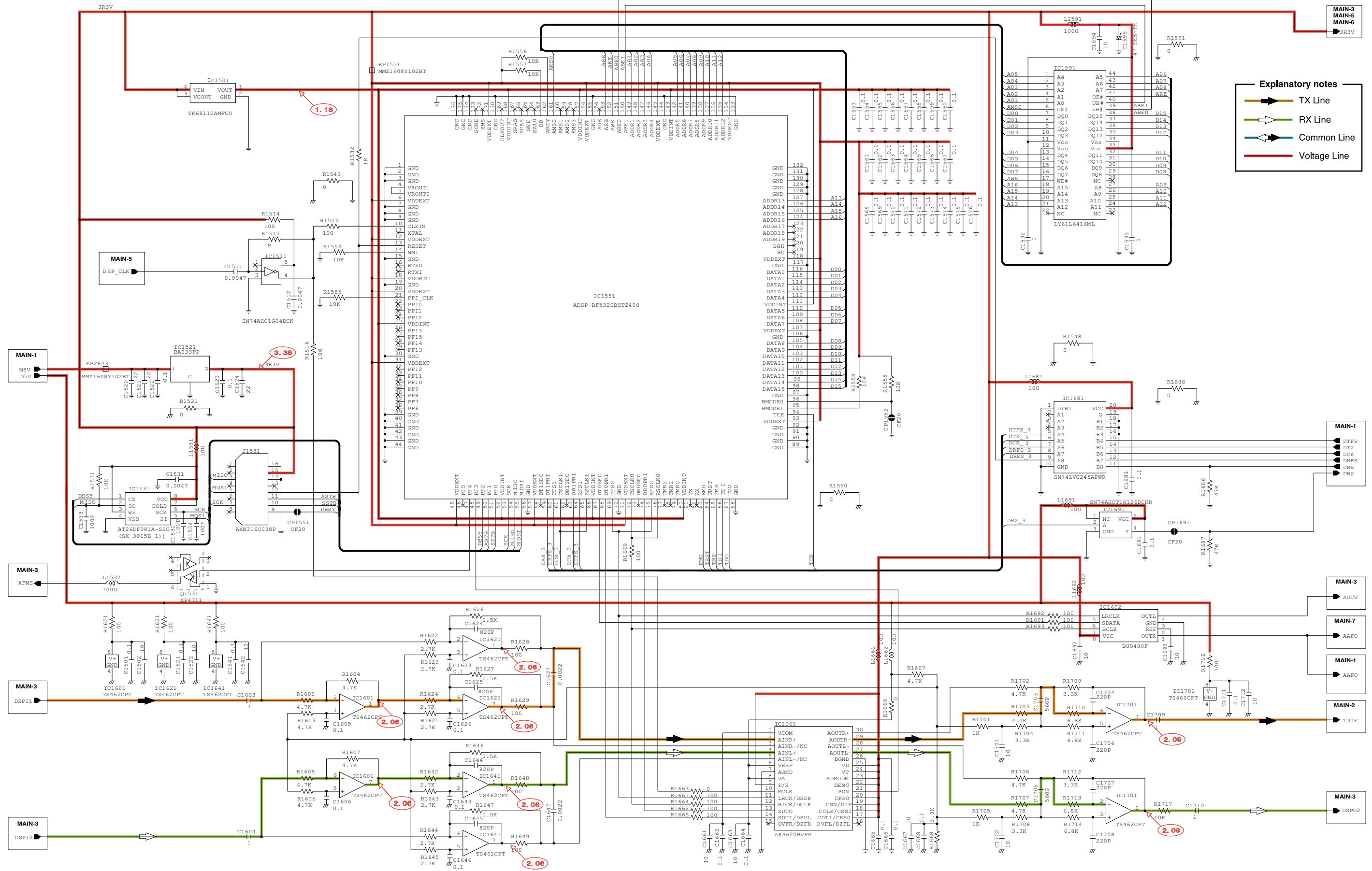
• MAIN UNIT (MAIN-3)



- Explanatory notes**
- TX Line
 - RX Line
 - Common Line
 - Voltage Line

*; Refer to "PARTS LIST."

• MAIN UNIT (MAIN-4)

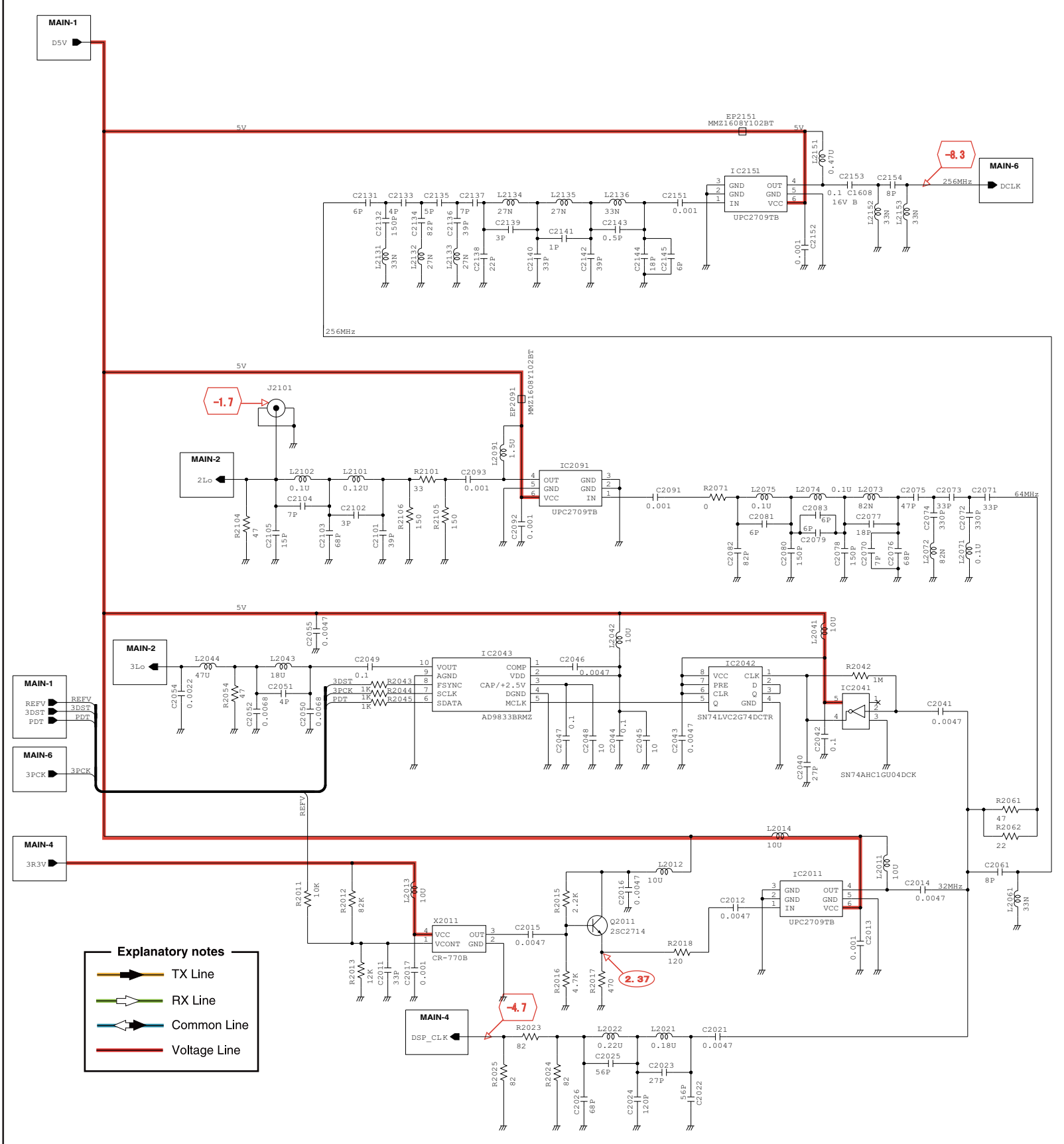


Explanatory notes

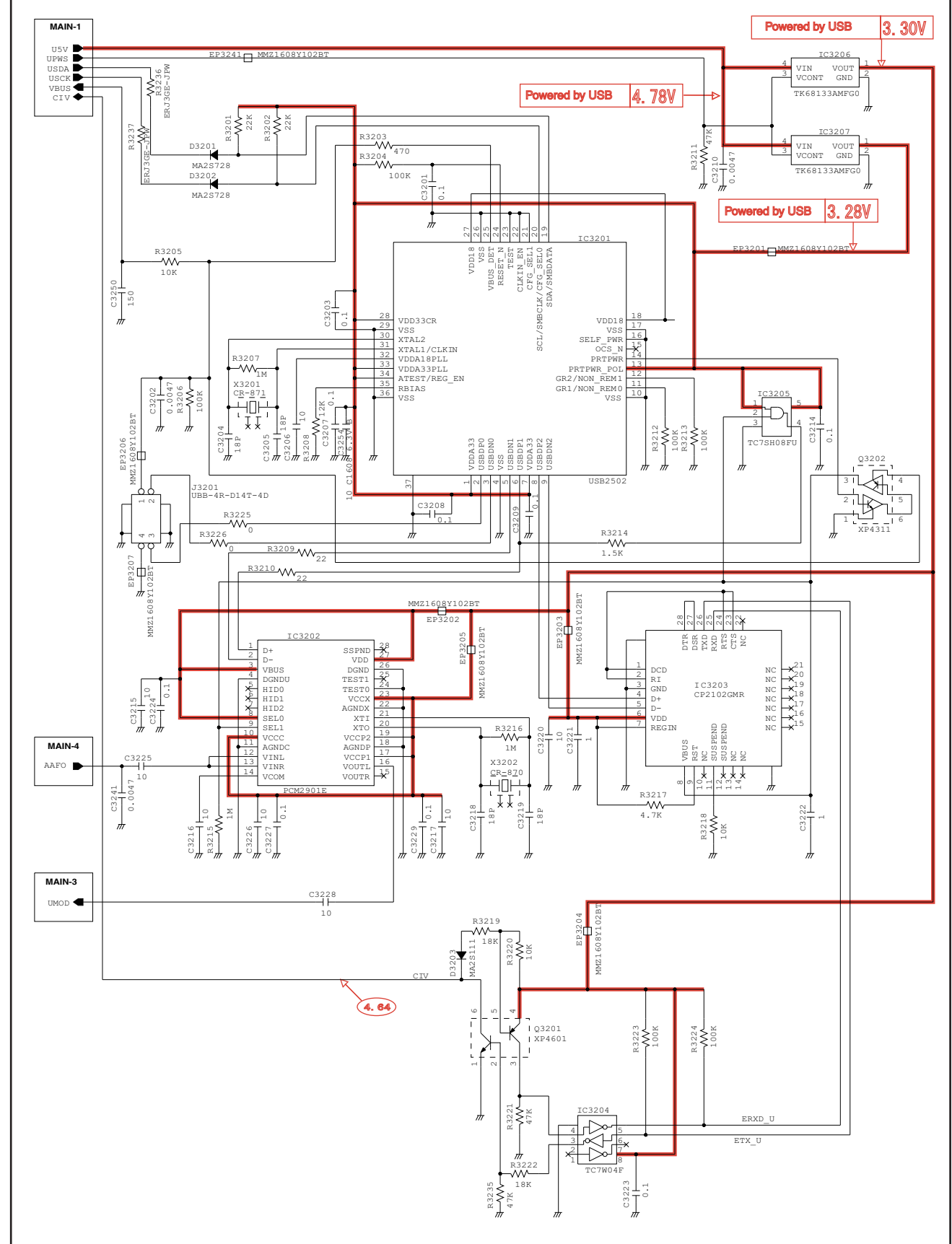
- TX Line
- RX Line
- Common Line
- Voltage Line

*; Refer to "PARTS LIST."

• MAIN UNIT (MAIN-5)

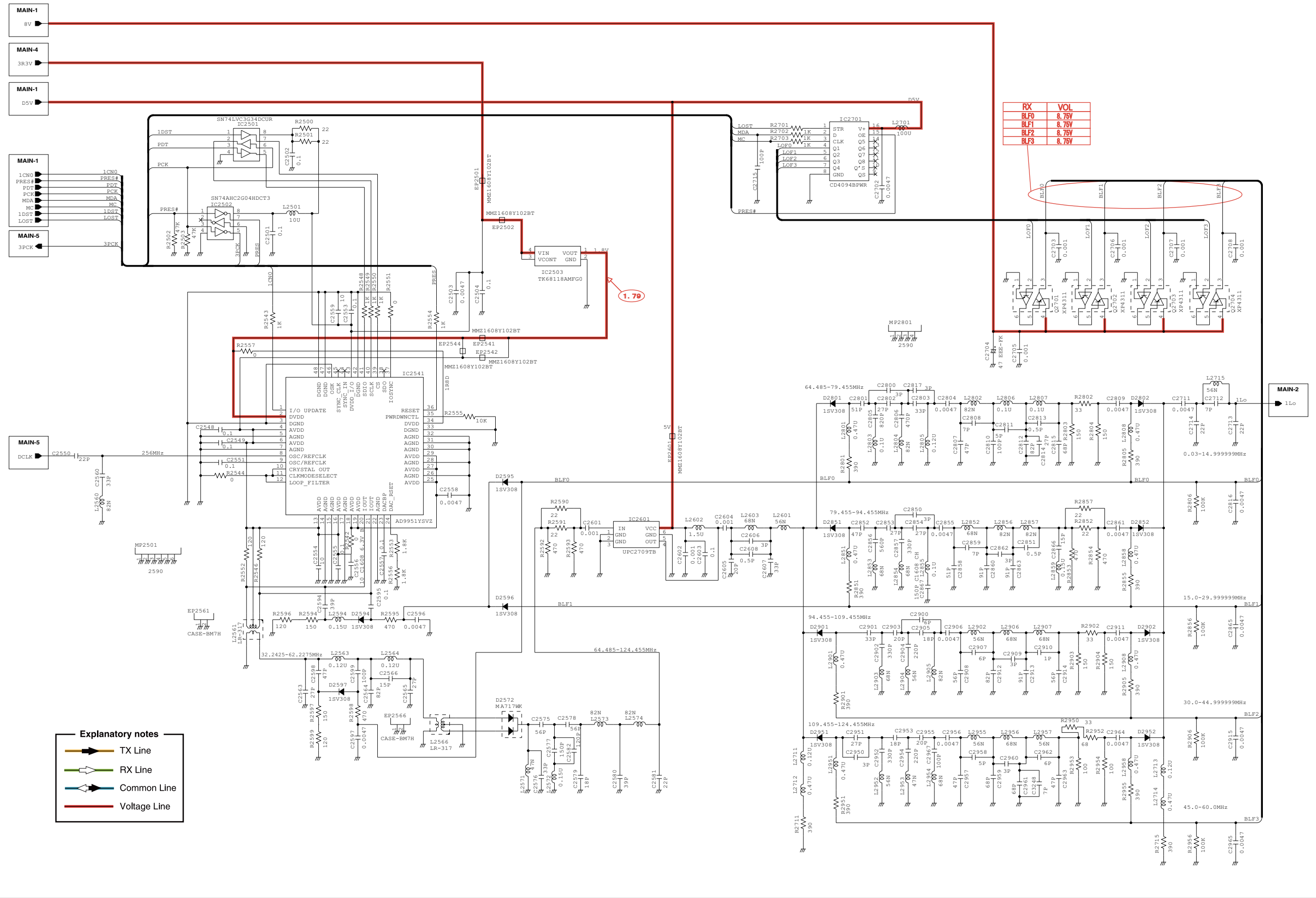


• MAIN UNIT (MAIN-6)



*; Refer to "PARTS LIST."

• MAIN UNIT (MAIN-7)



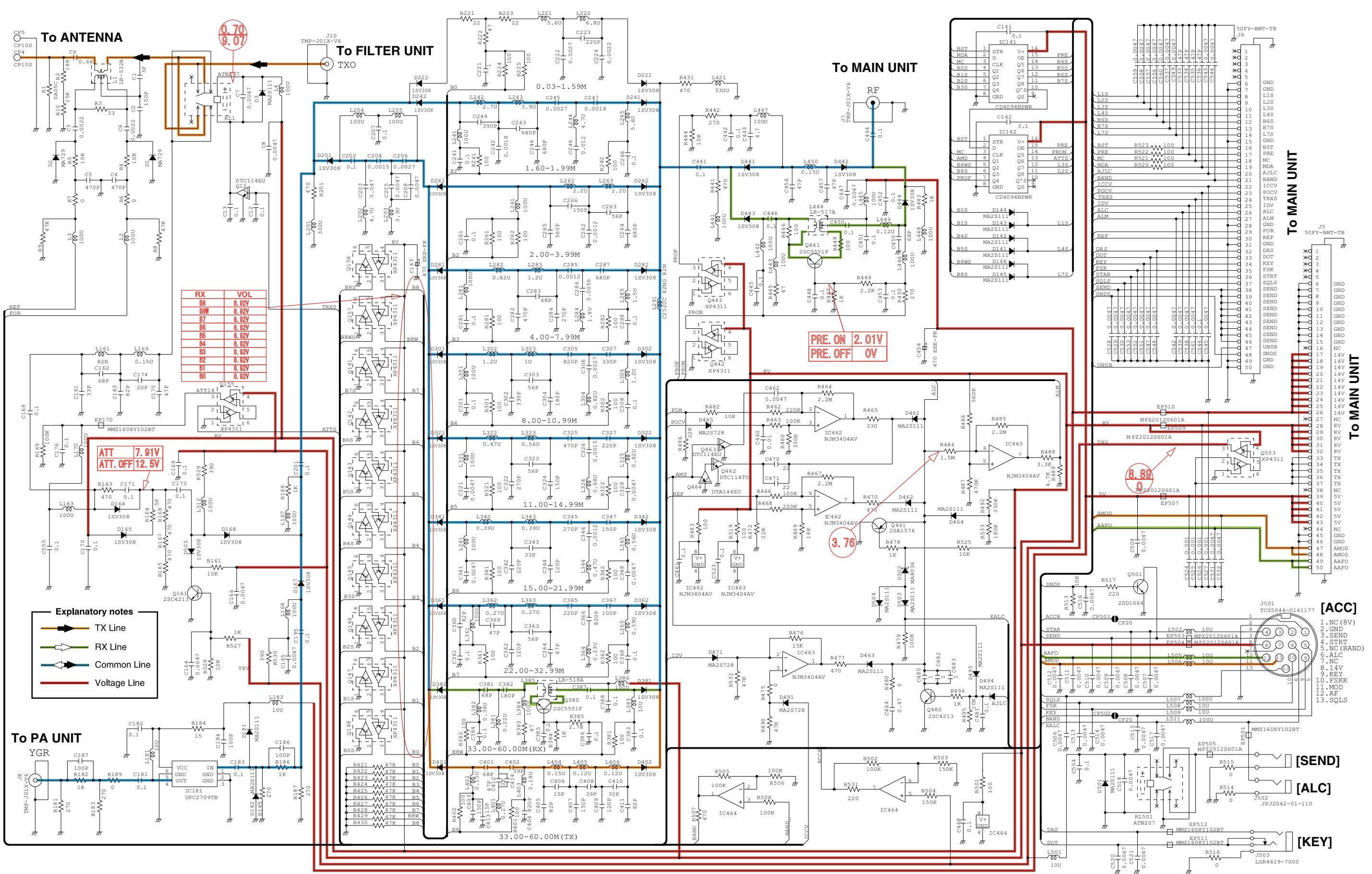
| RX | VOL |
|------|-------|
| BLF0 | 8.75V |
| BLF1 | 8.75V |
| BLF2 | 8.75V |
| BLF3 | 8.75V |

Explanatory notes

- ▶ TX Line
- ▶ RX Line
- ▶ Common Line
- ▶ Voltage Line

*; Refer to "PARTS LIST."

• RF UNIT



| RX | VOL |
|----|-------|
| B9 | 8.02V |
| B8 | 8.02V |
| B7 | 8.02V |
| B6 | 8.02V |
| B5 | 8.02V |
| B4 | 8.02V |
| B3 | 8.02V |
| B2 | 8.02V |
| B1 | 8.02V |
| B0 | 8.02V |

Explanatory notes

- TX Line
- RX Line
- Common Line
- Voltage Line

[ACC]

| | |
|----|-----------|
| 1 | NC (8V) |
| 2 | SEND |
| 3 | SEND |
| 4 | STRT |
| 5 | NC (BAND) |
| 6 | ALC |
| 7 | NC |
| 8 | 14V |
| 9 | KEY |
| 10 | FSKK |
| 11 | MOD |
| 12 | AF |
| 13 | SQLS |

[SEND]

[ALC]

[KEY]

*; Refer to "PARTS LIST."

Icom Inc.

1-1-32, Kamiminami, Hirano-ku, Osaka 547-0003, Japan
Phone : +81 (06) 6793 5302
Fax : +81 (06) 6793 0013
URL : <http://www.icom.co.jp/world/index.html>

Icom America Inc.

<Corporate Headquarters>
2380 116th Avenue N.E., Bellevue, WA 98004, U.S.A.
Phone : +1 (425) 454-8155 Fax : +1 (425) 454-1509
URL : <http://www.icomamerica.com>
E-mail : sales@icomamerica.com
<Customer Service>
Phone : +1 (425) 454-7619

Icom Canada

Glenwood Centre #150-6165
Highway 17 Delta, B.C., V4K 5B8, Canada
Phone : +1 (604) 952-4266 Fax : +1 (604) 952-0090
URL : <http://www.icomcanada.com>
E-mail : info@icomcanada.com

Icom (Australia) Pty. Ltd.

Unit 1 / 103 Garden Road, Clayton VIC 3168 Australia
Phone : +61 (03) 9549-7500 Fax : +61 (03) 9549-7505
URL : <http://www.icom.net.au>
E-mail : sales@icom.net.au

Icom New Zealand

146A Harris Road, East Tamaki,
Auckland, New Zealand
Phone : +64 (09) 274 4062 Fax : +64 (09) 274 4708
URL : <http://www.icom.co.nz>
E-mail : inquiries@icom.co.nz

Beijing Icom Ltd.

10C07, Long silver Mansion, No.88, Yong Ding
Road, Haidian District, Beijing, 100039, China
Phone : +86 (010) 5889 5391/5392/5393
Fax : +86 (010) 5889 5395
E-mail : bjicom@bjicom.com
URL : <http://www.bjicom.com>

Icom Brazil

Rua Pernambuco, 353 - Sala 901, Belo Horizonte, M.G.
30130-150, Brazil
Phone : +55 (31) 3582 8847 Fax : +55 (31) 3582 8987
E-mail : sales@icombrasil.com

Icom (Europe) GmbH

Communication Equipment
Auf der Krautweide 24
65812 Bad Soden am Taunus, Germany
Phone : +49 (6196) 76685-0 Fax : +49 (6196) 76685-50
URL : <http://www.icomeurope.com>
E-mail : info@icomeurope.com

Icom Spain S.L

Ctra. Rubi, No. 88 Bajos A 08174, Sant Cugat del Valles, Barcelona, Spain
Phone : +34 (93) 590 26 70 Fax : +34 (93) 589 04 46
URL : <http://www.icomspain.com>
E-mail : icom@icomspain.com

Icom (UK) Ltd.

Blacksale House, Altira Park, Herne Bay, Kent CT6 6GZ, UK
Phone : +44 (0) 1227 741741 Fax : +44 (0) 1227 741742
URL : <http://www.icomuk.co.uk>
E-mail : info@icomuk.co.uk

Icom France s.a.s.

Zac de la Plaine
1 Rue Brindejonc des Moulinais BP 5804
31505 Toulouse Cedex, France
Phone : +33 (5) 61 36 03 03 Fax : +33 (5) 61 36 03 00
URL : <http://www.icom-france.com>
E-mail : icom@icom-france.com

Asia Icom Inc.

6F No.68, Sec. 1 Cheng-Teh Road, Taipei, Taiwan, R.O.C.
Phone : +886 (02) 2559 1899 Fax : +886 (02) 2559 1874
URL : <http://www.asia-icom.com>
E-mail : sales@asia-icom.com

Icom Polska

81-850 Sopot, ul. 3 Maja 54, Poland
Phone : +48 (58) 550 7135 Fax : +48 (58) 551 0484
E-mail : icompolska@icompolska.com.pl

Count on us!

Icom Inc.

1-1-32, Kamiminami, Hirano-ku, Osaka 547-0003, Japan

S-14513XZ-C1
© 2008 Icom Inc.